

Packard

SERVICE PARTS LIST

TWENTIETH SERIES

180—CUSTOM SUPER EIGHT

160—SUPER EIGHT

120—EIGHT

110—SIX



Issued May, 1942

PACKARD MOTOR CAR COMPANY

DETROIT, MICHIGAN

PACKARD DISTRIBUTERS AND DEALERS

This Parts List replaces the Preliminary Twentieth Series Service Parts List issued August, 1941.

The same Parts Grouping System used in that and the 1941 Master Parts List is used here.

Parts are arranged under 39 Major Groups and 128 Sub Group Headings. A complete list of these, with the Sub Groups indented, follows. Also shown is the beginning Index Number of each Group.

CHASSIS PARTS

MAJOR AND SUB GROUPS	INDEX NO.	MAJOR AND SUB GROUPS	INDEX NO.
BONNET	0.0015	Pistons	5.1400
BRAKE		Snubbers (Engine)	5.15001
Brake Cylinders	1.000	Support	5.1601
Brake, Hand	1.100	Valves	5.1700
Brake Wheel Hub and Drum	1.200	Vibration Damper	5.1800
Brake Pedal	1.300	Water Pump and Fan	5.1901
Brake Shoes	1.400	EXHAUST	
Brake Support Plate	1.500	Muffler	6.000
Brake Tubing	1.600	Pipe	6.100
BUMPER	2.000	FENDERS AND RUNNING BOARDS	
CLUTCH AND TRANSMISSION		Front Fender	7.000
Clutch Assembly	3.000	Rear Fender	7.100
Clutch Control	3.100	Running Boards	7.200
Transmission	3.200	FRAME	8.000
Transmission Change Speed	3.300	FUEL	
Transmission Econo-Drive	3.400	Accelerator	9.000
ELECTRICAL		Carburetor	9.1001
Battery	4.0001	Fuel Pump	9.200
Cigar Lighter	4.0101	Tank	9.300
Clock	4.0200	Tubing	9.400
Distributor	4.03001	A.C. Fuel Pump	9.800
Electromatic Clutch	4.0540	INSTRUMENT BOARD	
Gauges	4.0600	Panels	10.000
Generator	4.07001	Speedometer	10.100
Horn	4.1000	RADIATOR	
Ignition Cable-H.T.	4.1100	Core	11.001
Ignition Coil	4.1200	Shell	11.1005
Lamp Front	4.1300	Shutter	11.2001
Lamp Fender	4.1400	Grille	11.300
Lamp Reading (Inst. Board)	4.1502	REAR AXLE	
Lamp Rear	4.1600	Carrier	12.000
Lamp Tell Tale	4.166	Housing and Shaft	12.023
Speedometer Light	4.1700	SHOCK ABSORBER AND STABILIZER	
Starter	4.1800	Shock Absorber	13.000
Steering Directional Signal	4.21075	Stabilizer	13.1001
Transmission Econo-Drive	4.2200	SPRINGS	
Wiring, Cables and Harness (L.T.)	4.2300	Front Spring	14.000
ENGINE		Rear Spring	14.100
Camshaft	5.0100	STEERING AND SUSPENSION	
Connecting Rod	5.0200	Connecting Rod	15.000
Crankcase Splasher	5.0304	Crank	15.100
Crankshaft	5.0400	Cross Tube	15.200
Cylinder	5.0500	Gear	15.3002
Flywheel	5.0600	Knuckle	15.400
Gaskets	5.0700	Knuckle Support and Arm	15.500
Gear Cover	5.0800	TOOLS	16.0025
Manifolds	5.0900	TRUNK RACK	17.0005
Oil Filler and Filter	5.1000	UNIVERSAL JOINT AND PROPELLER SHAFT	18.000
Oil Pan	5.1100	WHEELS	
Oil Pump	5.1200	Wheels and Tire Cover	19.000
Oil Strainer	5.1300	Wheel Side Carrier	19.105

BODY PARTS

MAJOR AND SUB GROUPS	INDEX NO.	MAJOR AND SUB GROUPS	INDEX NO.
BODY EQUIPMENT		FLOOR	30.800
Arm Rest	30.000	INSULATION	30.825
Arm Sling	30.005	PARTITION	30.849
Ash Tray	30.007	ROOF	30.8751
Clock	30.013	SEAT	
Foot Rest	30.014	Folding	30.880
Rear View Mirror	30.022	Front	30.900
Robe Rail	30.024	Rear	30.940
Sun Visor	30.030	TOP	31.000
Toggle Grip	30.034	TRUNK	31.1505
Vanity Cabinet	30.037	VENTILATOR	31.225
BODY HOLD DOWN BOLTS	30.100	WELDED ASSEMBLIES	31.240
COWL	30.200	WINDOW-QUARTER	31.280
DOORS		WINDOW WING-QUARTER	31.305
Front-Parts	30.301	WINDOW-REAR	31.353
Front-Window	30.352	WINDSHIELD	31.3905
Front-Window Wing	30.401	TRIM (UPHOLSTERY)	
Rear-Parts	30.438	Arm Rest	31.410
Rear-Window	30.479	Body Rear Hinge Pillar	31.413
Rear-Window Wing	30.550	Center Pillar Trim	31.414
ELECTRICAL		Carpet and Mats	31.417
Cables	30.600	Door Trim-Front	31.435
Cigar Lighter	30.604	Door Trim-Rear	31.438
Courtesy Light	30.61125	Folding Top	31.441
Dictograph	30.612	Folding Seat	31.446
Dome Light	30.622	Front Seat	31.452
License Lamp	30.634	Hassock	31.456
Partition Light	30.6595	Headlining	31.458
Quarter Light	30.660	Kick Pads	31.459
Trunk Compartment Light	30.667	Rear Compartment	31.4609
Vanity Cabinet Light	30.6675	Rear Seat	31.461
Window Regulator	30.680	Trim Bulk Stock	31.465
Windshield Wiper	30.7015		

ORDERING PARTS

Use only standard Distributer's Sundry and Part Order forms, No. VTA-19.

Correct "charge to" and "ship to" names and addresses should be shown on every order.

Give piece number, name and quantity required.

Always advise motor or vehicle number.

State definite shipping instructions, i.e., parcel post, express or freight, etc.

Give explicit instructions as to how cases are to be marked.

Detail ordering instructions as outlined in Trade Letters should be adhered to in all cases.

Parts not listed should be ordered by description.

The 50.000 Index Numbers, shown in parenthesis after some part numbers, are a guide to the various groups in the Utility Section of the 1941 Master Parts Book.

In ordering utility parts please specify finish desired, otherwise we will ship standard parts.

Many special notes appear after the part names showing some of the parts listed herein being used or not used with certain equipment, and these notes should be watched very carefully when ordering from this book.

Determine right and left hand parts from the driver's position when seated in the car.

The Alphabetical Index should be used in this manner: The Cylinder Head Water Outlet Flange Gasket is wanted. Find main group Engine, next the indented sub group Cylinder, then the further indented Head Assembly, under which, indented to show their proper relation to the Head Assembly, will be found the Flange and the Flange Gasket showing group Index Number 5.0509.

A complete Numerical Index is located at the back of this book.

The group index number can easily be located by following the group index numbers shown on the outer top corner of each page.

MODEL 2030 TAXICAB

CHASSIS PARTS:

With some exceptions this is a standard Model 2020 chassis and in compiling this Parts Book only those Taxicab parts that differ from the corresponding Model 2020 parts were listed.

Therefore, when the Index Group covering the Model 2030 Taxi part wanted does not list an item for this model, then use the item listed for Model 2020.

BODY PARTS:

Model 2030 Taxicab Body Parts are shown in the Body Section of this book identified by the Body Type Number 1584.

MODEL 2001A-2003A AMBULANCE AND HEARSE

CHASSIS PARTS:

With some exceptions the Ambulance Chassis and the Hearse Chassis is identical and in compiling this Parts Book only those Ambulance Parts that differ from the corresponding hearse parts were listed.

Therefore, when the Index Group covering the Ambulance Part wanted does not list an item for the Ambulance Chassis, then use the item listed for the Hearse Chassis.

The Ambulance Chassis parts are identified by 2001A Amb. for the Eight and 2003A Amb. for the Super Eight.

The Hearse Chassis parts by 2001A for the Eight and 2003A for the Super Eight.

BODY PARTS:

Ambulance and Hearse body parts should be ordered from Henney Motor Company, Freeport, Illinois.

DEFENSE PAINT SCHEMES

Defense Paint Schemes that replace bright metal trim with painted trim, were used on the Clipper Sedans, Body Types 1502-12-22-72-82-92, built after January 1, 1942 only. (See Trade Letter No. T-3125 - Dealers' TL-326.)

BODY IDENTIFICATION CHART FOR YEAR 1942

MOTOR NUMBER IS STAMPED ON CRANKCASE - LEFT SIDE - UPPER CENTER.
 BODY TYPE NUMBER IS STAMPED ON VEHICLE NUMBER PLATE ATTACHED TO COWL DIRECTLY UNDER BONNET.

110 SIX MOTOR NO. E-1501 Up			120 EIGHT MOTOR NO. E-300001 Up				160 SUPER EIGHT MOTOR NO. E-500001 Up				180 SUPER EIGHT MOTOR NO. CE-500001 Up						
SPEC	CUST	TAXI	CUST	SPEC	CUST	CUST	2003	2023	2003A	2004	2005	2055	2006	2007	2008	PASS	BODY TYPE
2000	2010	2030	2020	2001	2011	2001A	2021										
1582	1502			1592	1512		1572			1562			1522			6	Sedan
		1584												1542		6	Sedan
1585	1506			1596	1515		1575						1525			6	Taxicab N.Y.
1588				1598												3	Club-Sedan
			1589				1579									2-4	Business Cpe
														1532		5	Conv. Coupe
															1551	7	Formal Sedan
															1550	7	Sedan
					*				*								Limousine
																	Hearse Chassis
					*				*								Ambulance Chassis

20TH SERIES PAINT AND TRIM REFERENCE CHART

(See Trade Letter No. T-3125, Dealers' TL-326 For Defense Paint Schemes)

Paint Scheme	Paint Code Number	Stripe Code Number	TRIM SET NUMBER						
			2000 2001	2003	2004 2005	2006 2007-8	2010-1	2055	
A	L-210 Puritan Gray Metallic	L-216-S Silver French Gray	*35	76	98	144	45	55	
B	L-139 Packard Blue	L-507-S Flake White	*35	76	98	144	45	55	
C	L-210 Puritan Gray Metallic (Upper) L-216 Silver French Gray (Lower)	L-210-S Puritan Gray	*35	76	98	745	45	55	
D	L-211 Grove Green Metallic	L-213-S Chickory Green	**35	73	73	361	45	55	
E	L-228 Cavalier Maroon Metallic	L-502-S Gold Bronze	**35	75	75	719	45	55	
F	L-227 Legion Blue Metallic (Upper) L-226 Algiers Blue Metallic (Lower)	L-227-S Legion Blue	*35	76	98	144	45	55	
J	L-213 Chickory Green Metallic	L-211-S Grove Green	**35	73	73	361	45	55	
K	L-214 Andes Tan Metallic	L-217-S Wilshire Brown	**35	75	75	719	45	55	
M	L-217 Wilshire Brown Metallic (Upper) L-214 Andes Tan Metallic (Lower)	L-217-S Wilshire Brown	**35	75	75	719	45	55	
P	L-211 Grove Green Metallic (Upper) L-213 Chickory Green Metallic (Lower)	L-211-S Grove Green	**35	73	73	361	45	55	
Q	L-229 Ruxton Brown Metallic (Upper) L-230 Doreen Yellow Metallic (Lower)	L-229-S Ruxton Brown	**35	75	75	719	45	55	
S	L-216 Silver French Gray Metallic	L-210-S Puritan Gray	*35	76	98	745	45	55	
T	L-231 Cadet Cream L-221 Cinnabar Red Light (Wheels)	L-231-S Cadet Cream	**35	73	73	361	45	55	
W	L-217 Wilshire Brown Metallic	L-214-S Andes Tan	**35	75	75	719	45	55	
X	L-105 Black	L-507-S Flake White	**35	73	73	361	45	55	
Y	L-232 Royal Crown Maroon Metallic	L-502-S Gold Bronze	**35	75	75	719	45	55	
Z	L-233 Sable Brown Metallic (Upper) L-234 Carlotta Brown Metallic (Lower)	L-233-S Sable Brown	**35	75	75	719	45	55	

NOTE: Wheel stripe applies to #10 Special and 120 Special only. On other models no stripe is to be applied to wheels.

* Some first production cars were trimmed in Set Numbers 19,32,46 or 48.

** Some first production cars were trimmed in Set Numbers 15,31 or 43.

20TH SERIES TRIM REFERENCE CHART

Model	Description	Set Number	Part Number
2000-1	Tan Stripe Broadcloth	*15	370868
	Gray Stripe Broadcloth	*19	370992
	Tan Stripe Broadcloth	*31	352440
	Blue Gray Stripe Broadcloth	*32	352440
	Blue Gray Broadcloth - Rust Striped	35	352440
	Tan Shadow Stripe Broadcloth	*43	352441
	Blue Gray Pattern Broadcloth	*46	352441
	Blue Gray Bedford Cord	*48	352441
2010-1-20-1	Gray and Tan Striped Broadcloth	45	352441
2003-4-5	Tan Pin Stripe Broadcloth	73	352442
	Plain Tan Broadcloth	75	352442
	Plain Gray Broadcloth	76	352442
	Gray Broadcloth - Blue Striped	98	352442
2055	Blue Gray Broadcloth - Neutral Striped	55	352441
2006-7-8	Blue Gray Stripe Broadcloth	144	339429
	Brown Stripe Broadcloth	161	339429
	Tan Pin Stripe Broadcloth	361	185211
	Brown and Tan Pattern Broadcloth	719	185211
	Blue Gray Broadcloth	745	185211
	Dark Green Leather (Genuine)	1	339391
	Brown Leather (Genuine)	2	339391
	Black Leather (Genuine)	3	156348
	Tan Leather (Genuine)	4	339391
	Gray Leather (Genuine)	5	339391
	Red Leather (Genuine)	6	339391
	Light Green Leather (Genuine)	7	339391
	Pigskin Leather (Genuine)	8	352804
	Blue Leather (Genuine)	9	339391
	Tan Conv. Top Material (Std.)	Hartz B-2	350375
	Black Conv. Top Material	Black	350378
	Blue Conv. Top Material	Blue	350374
	Gunpowder Conv. Top Material	Gunpowder	350374
	Red Conv. Top Material	Red	350374
	Sage Conv. Top Material	Sage	350374
	Walnut Conv. Top Material	Walnut	350374

*Used on first cars.

INDEX OF ILLUSTRATIONS AND CHARTS

NAME	PAGE NO.	NAME	PAGE NO.
Accelerator	83	Frame	80
Accelerator Cross Shaft	84	Frame (Clipper Type)	79
Body Equipment	136	Front Suspension	123
Body Identification Chart	D	Front Suspension and Steering Cross Tube	126
Brake Master Cylinder and Wheel Cylinder	6	Front Suspension - Front View (Clipper Type)	121
Brake Support Plate	8	Front Suspension - Top View (Clipper Type)	124
Brake System	5	Fuel Pump	94
Bumper - Front and Rear	11	Instrument Board	97
Car Exterior View	R	Lamp Front	50
Carter Carburetor - (Six)	86	Lamps - Front - Fender and Rear	51
Carter Carburetor - (Eight)	88	Muffler and Exhaust Pipe	71
Carter Carburetor (Super Eight)	90	Paint and Trim Reference Chart	E
Clutch Assembly	15	Rear Axle Differential Carrier Assembly	105
Clutch Linkage	20	Rear Quarter Window Wing	175
Clutch Linkage (Clipper Type)	19	Rear Spring	113
Clutch Plates	16	Rear Spring Leaf Separator Chart	112
Cowl Ventilator	170	Rear Spring Shackle	114
Door Windows and Regulators	142	Rear Wheel Group	106
Econo-Drive Unit	33	Shock Absorber - Front	110
Econo-Drive Unit - Detail Parts	35	Shock Absorber - Rear	111
Econo-Drive Unit - Rear View	34	Steering Cross Tube Assembly	117
Electrical Horn	47	Steering Cross Tube (Clipper Type)	116
Electrical Ignition Coil	48	Steering Gear	118
Electrical Distributor	40	Steering Post Shifting Linkage	28
Electrical Generator	44	Transmission	24
Electrical Starter Motor	55	Transmission Rear Cover Assembly	25
Electrical Switches	38	Transmission Steering Column Shift	27
Electrical Window Regulator	155	Trim Assembly	178
Electromatic Clutch	17	Trim Reference Chart	F
Electromatic Clutch Valve Assembly	18	Universal Joint Assembly (Clipper Type)	130
Engine Front - Sectional View	62	Universal Joint Shaft Assembly	131
Engine Side - Sectional View	60	Universal Intermediate Joint (Double)	132
Engine Side - Front Half - Sectional View	61	Windshield Wiper	159
		Windshield Wiper (Clipper Type)	158

CHASSIS ALPHABETICAL INDEX

ACCELERATOR

Lever, Relay	9.018
Bracket	9.019
Push Rod	9.020
Shaft and Bracket Assy ..	9.0206
Pedal	9.012
Hinge Bracket	9.013
Push Rod	9.014
Retracting Spring	9.016
Shaft Assembly, Cross	9.000
Bracket	9.003
Foot Pedal Lever	9.006
Operating Lever	9.007
Relay Lever Assembly ...	9.008
Retracting Spring	9.010
Throttle Lever	9.005

BONNET

Bumper	0.0015
Dowel	0.0016
Guide Pin	0.0025
Lock	0.007
Clamp	0.0071
Bracket	0.0072
Pin	0.00745
Rod (Operating)	0.0073
Spring	0.0074
Spring	0.00746
Handle	0.008
Handle (Clipper Type) ..	10.0110
Bracket	10.0112
Knob	10.0114
Link	10.0116
Grommet	10.0117
Pin	10.0018
Pivot Bumper	0.0090
Prop & Pivot Assy	0.0091
Safety Catch Assy	0.0096
Anti-Rattler	0.0097
Spring	0.0098
Side Assembly	0.011
Louvre Assembly	0.016
Top Assembly	0.028
Moulding (Center)	0.030
Moulding (Side)	0.334
Barb	0.335
Cup Washer	0.03355
Screw	0.0336
Ornament	0.0345
Weatherstrip	0.348

BRAKE

Drum and Hub Assembly	1.200
Damper Spring	1.201
Inspection Hole Cover ..	1.203
Fluid	1.000
Hand Brake	1.100
Equalizer Lever	1.100
Bushing	1.101
Plate	1.102
Retracting Spring	1.103
Lever Assembly	1.105
Cable Assembly	1.108
Pawl	1.118
Release Lever	1.119
Spring	1.120
Sector	1.121
Rear Wheel Cable	1.123
Bracket	1.125
Master Cylinder Assy	1.0005
Cylinder & Plug Assy ...	1.001
Boot	1.002
Check Valve Assy	1.004
Filler Plug Assembly ...	1.008
Gasket	1.008
Head	1.009
Outlet Connection	1.010
Piston Assembly	1.011
Return Spring & Retainer	1.016
Repair Kit	1.019

BRAKE (CONT'D)

Secondary Cup	1.020
Ring	1.021
Shield	1.022
Pedal	1.300
Boot	1.301
Connecting Rod	1.302
Pin	1.303
Cover (Toe Board)	3.170
Pad	1.304
Retracting Spring	1.305
Tread	1.306
Shoe Assembly	1.400
Adjusting Screw	1.401
Socket	1.402
Spring	1.403
Anchor Pin	1.405
Plate (Guide)	1.406
Spring	1.407
Eccentric Assembly	1.408
Hold Down Spring	1.409
Cup	1.410
Spring Pin	1.411
Lining - (Sets)	1.412
Spring	1.413
Strut	1.414
Spring	1.416
Support Plate (Front)	1.500
Support Plate (Rear)	1.501
Adjusting Hole Cover ...	1.502
Water Seal	1.5035
Spring	1.504
Tubing	1.600
Front Cross Tube	1.600
Front End Junction to Brake Hose	1.601
Front End Junction to Rear Axle Junction ..	1.602
Master Cylinder to Front End Junction	1.603
Master Cylinder to Rear Axle Junction	1.604
Rear Axle Junction to Rear Wheel	1.605
Wheel Cylinder Assembly ..	1.023
Cylinder	1.0231
Bleeder Screw	1.0232
Boot	1.024
Cup	1.026
Spring	1.027
Piston	1.028
Repair Kit	1.029
Tube Connector	1.030

BUMPER ASSY. (Front & Rear)

Bar	2.000
Grommet	2.001
Guard Assembly	2.002
Bolt	2.005
Spacer	2.0015
License Plate Bracket ...	2.009
Stone Shield	2.014
Liner	2.0115
Seal	2.0118
Seal	2.0119
Support Bar (Front)	2.012
Support Bar (Rear)	2.013

CLUTCH ASSY.

Bearing & Sleeve Assy. (Shifter Thrust)	3.148
Cover Assy. (Toe Board Clutch & Brake Pedal) .	3.170
Insulators	3.172
Fulcrum (Booster Pedal) ..	3.100
Lever (Release)	3.014
Pin	3.015
Roller	3.016
Yoke	3.018
Lever (Shifter Relay)	3.128

CLUTCH ASSY. (CONT'D)

Adjuster (To Shifter Lever Rod)	3.130
Bearing	3.133
Boot	3.135
Pin	3.137
Pivot (To Frame)	3.138
Rod (To Pedal)	3.140
Rod (To Shifter Lever) ..	3.141
Support Assy. (Universal Joint Shaft)	3.147
Lever & Ball Assy. (Shifter)	3.118
Boot Assy.	3.125
Bracket (Bearing Anchor) ..	3.120
Spacer (Bearing Shaft) ...	3.121
Rod (To Relay Lever)	3.127
Pedal	3.109
Bearing	3.110
Boot	3.112
Cover (Toe Board)	3.170
Pad Assembly	3.114
Rod (To Relay Lever)	3.116
Rubber	3.1165
Set	3.1166
Spring (Retracting)	3.115
Plate Assembly, Cover	3.000
Plate & Hub Assy. Driven Facing	3.005
Refacing Kits	3.007
Spring, hub	3.0105
Spring, hub	3.010
Washer, friction	3.009
Plate, pressure	3.011
Spring	3.012
Button (insulator)	3.013
Shaft, Clutch & Brake Pedal	3.104
Bracket	3.105
Spring (retaining)	3.108
Spring (Booster)	3.101
Bracket & Brace Assembly.	3.102
Link	3.103

CLUTCH CONTROL

Clutch Booster	
Fulcrum (pedal)	3.100
Spring	3.101
Bracket & Brace Assy ..	3.102
Link	3.103
Governor	4.0550
Boot	4.0551
Cover & Switch	4.05515
Lock Plate	4.0552
Pinion	4.0553
Sleeve	4.0554
Pedal	3.109
Bearing	3.110
Boot	3.112
Pad Assembly	3.114
Rod (to relay lever)	3.116
Rubber Set	3.1166
Spring (retracting)	3.115
Shaft	3.104
Bracket	3.105
Spring (retaining)	3.108
Toe Board Cover Assembly.	3.170
Insulator	3.172
Relay	4.0556
Fuse (To Starter Motor Cable)	4.0557
Shifter Lever	3.118
Bearing Roller	3.1205
Boot Assembly	3.125
Rod (To Relay Lever)	3.127
Shifter Relay Lever Assy...	3.128
Adj. (To Shifter Lever Rod)	3.130
Bearing	3.133
Boot	3.135
Pin	3.137

CHASSIS ALPHABETICAL INDEX

CLUTCH CONTROL (CONT'D)

Pivot (To Frame)	3.138
Rod (To Pedal)	3.140
Pin	3.1405
Spring	3.1407
Rod (To Shifter Lever) ..	3.141
Universal Joint Shaft ...	3.144
Support Assembly	3.147
Shifter Thrust Bearing & Sleeve Assembly	3.148
Vacuum Cylinder Assembly ..	3.1492
Bracket	3.1493
Pin	3.1494
Rod (To Clutch Shifter Relay Lever)	3.1496
Pin	3.1497
Support Spring	3.1498
Valve Assembly	3.150
Air Cleaner	3.152
Hose	3.153
Tube Assy (To Trans- mission-2nd. Speed Choke Valve & Solenoid)	3.155
Diaphragm Spring	3.157
Hose (To Vacuum Cylinder)	3.168
Lever (Operating Link) ..	3.163
Solenoid (Low & Reverse) ..	4.05585
Support Plate Assembly ..	3.166
Tube Assy (To Intake Manifold)	3.159
Tube Assy (To Trans. 2nd. Speed Choke Valve & Solenoid)	3.167

ELECTRICAL

Battery	
Cable Asb. (To Ground) ...	4.0001
Terminal	4.0002
Cable Asb. (To Starter) ..	4.0003
Carrier	4.0005
Clamp	4.0007
Support Asb.	4.0008
Stud	4.0009
Cigar Lighter Asb.	
Base Asb.	4.0101
Cable Asb.	4.0102
Tip & Knob Asb.	4.0104
Tip	4.0105
Clock	4.0200
Bezel	4.0201
Cable Asb.	4.0202
Case Asb.	4.0205
Dial Asb.	4.0206
Distributor	4.0300
Breaker Point Set	4.0305
Condenser	4.0307
Vacuum Control Tube Asb (To Carburetor)	4.0312
Detail Parts	
Base Asb.	4.0402
Cap Asb.	4.0416
Drive Shaft Asb.	4.0432
Drive Shaft & Governor Asb.	4.0431
Rotor	4.0442
Vacuum Chamber	4.0446
Electromatic Clutch	
Cable Asb., Ign. Coil Switch (To Lockout Switch)	4.12056
Choke Valve & Solenoid Asb. Trans. Second Speed	4.0575
Governor (Clutch Control Unit)	4.0550
Boot	4.0551
Cover & Switch Asb. ...	4.05515
Lock Plate	4.0552
Pinion	4.0553

ELECTRICAL (CONT'D)

Sleeve	4.0554
Snap Ring	4.0555
Harness Asb.	4.2320
Grommet (To Dash)	4.2325
Relay, Clutch Control Unit	4.0556
Container (To Starter Motor Cable & Fuse) ..	4.0558
Fuse (To Starter Motor Cable)	4.0557
Solenoid, Clutch Valve (Low Reverse)	4.05585
Solenoid Trans. Direct Speed)	4.0569
Switch	4.0570
Solenoid Switch, Trans. First & Reverse	4.0574
Switch (Auxiliary)	4.0540
Switch & Bracket Asb. Inst. Board Lockout ..	4.0560
Cable & Conduit Asb. ..	4.0561
Nut	4.0562
Gasket	4.0563
Cable Asb. (To Relay) ..	4.0564
Gauge Asb. (Gas Tank)	4.0600
Gauges (Instrument Board)	
Ammeter	4.0603
Gasoline	4.0614
Light Cables & Sockets Asb.	4.0616
Oil	4.0621
Sending Unit (Cylinder)	4.0622
Gasket (Cylinder)	4.0628
Temperature	10.0915
Generator Asb.	4.07001
Adjusting Strap	4.0701
Bracket	4.0702
Brush Set	4.0705
Current & Voltage Regulator	4.0703
Detail Parts	
Armature Assembly	4.0935
Drive End Head Asb.	4.0941
Field Coil Asb. (Complete)	4.0901
Horn & Bracket Asb.	4.1000
Bracket Asb.	4.1002
Motor Asb.	4.1010
Cover	4.1011
Projector Front Housing & Bell	4.1015
Relay	4.1016
Horn Button & Emblem Asb. .	4.1021
Cable Asb.	4.1024
Emblem	4.1031
Pivot	4.10394
Plate (Contact)	4.1039
Ring	4.1037
Button & Emblem	4.1022
Contact Plate	4.1039
Emblem	4.1038
Ignition Cable	4.1106
Cable Set	4.1100
Cable (Coil To Dist.) ..	4.1102
Ignition Coil & Switch Asb	4.1200
Bracket Asb.	4.1201
Switch Lock Cylinder ...	4.1206
Key	4.1207
Ignition Spark Plug	4.1105
Cable Assembly	4.1106
Nut	4.1113
Lamp Fender	4.1400
Body	4.1401
Bulb	4.14015
Lens	4.1407
Lamp Front	4.1300
Body	4.1301
Bulb	4.13025

ELECTRICAL (CONT'D)

Cable Assembly	4.1305
Door	4.1311
Lamp Reading	
Bulb	4.1502
Signal Light Bulb	4.1517
Switch Assembly	4.1509
Lamp Rear	4.1600
Body	4.1602
Bulb	4.16055
Socket	4.1608
Support Plate & Cable Assy	4.1606
Cable Assembly	4.1611
Door	4.1620
Glass	4.1622
Gasket	4.1623
Fuse Container & Cable Assy	4.1642
Jewel	4.1629
Stop Light Switch	4.1646
Speedometer Light Bulb	4.1700
Socket Assembly (Direc- tion Signal Indi- cator Light)	4.17007
Starter Motor	4.1800
Detail Parts	4.2000
Steering Direction Signal Switch & Cable Assy ...	4.21082
Connector	4.21084
Flasher	4.21086
Fuse	4.21088
Cable & Cap Assy ..	4.21089
Cable & Container Assy	4.2109
Lever Assembly	4.21092
Pin (Shut-Off)	4.21094
Wiring Harness Assy .	4.21096
Transmission Econo-Drive Accelerator Solenoid Switch	4.2200
Bracket	4.2201
Relay Assy	4.2216
Instrument Board Panel Bulb (Indicator) ...	4.22105
Lockout Switch	4.2223
Lock	4.2224
Solenoid Assembly	4.2228
Base	4.2229
Starter Motor Cable Assy (To Wiring Harness) .	4.2227
Wiring Harness Assy ...	4.2208
Wiring	
Ground (Engine To Frame) .	4.23005
Harness Assy	4.2320
Ignition Coil Cable Assy (To Distributor) ...	4.2340
ENGINE	5.0000
Camshaft	5.0100
Bearing	5.0101
Chain	5.0105
Spacer	5.0110
Sprocket	5.0111
Carburetor Assembly	9.1001
Air Cleaner Assembly ..	9.102
Connecting Rod Assy (Throttle)	9.114
Detail Parts (For Carter)	9.144
Gasket Set	9.101
Repair Kit	9.1135
Connecting Rod & Bushing Assy	5.0200
Bearing Assembly	5.0203
Bolt	5.0201
Bushing (Piston Pin) ..	5.0204
Crank Shaft	5.0400
Bearing Assembly	5.0402
Bearing Set	5.0401

CHASSIS ALPHABETICAL INDEX

ENGINE (CONT'D)

Cap	5.0403
Screw	5.0404
Oil Seal	5.0407
Oil Seal (Rear)	5.0408
Sprocket	5.0410
Cylinder	
Cylinder & Piston Assy ..	5.0500
Head Assembly	5.0503
Flange (Water Outlet) ..	5.0508
Gasket	5.0509
Thermostat Retainer ..	5.0510
Gasket	5.0504
Plate (Ventilator Baffle) ..	5.0517
Thermostat	5.0506
Retainer	5.0507
Tube Assembly (Ventilator Outlet)	5.0518
Water Manifold Assy. ...	5.0531
Distributor	4.03001
Breaker Point Set	4.0305
Condenser	4.0307
Detail Parts - Auto-Lite ..	4.0401
Detail Parts - Delco	4.0401
Tube Assembly (To Carb.) ..	4.0312
Fan	5.1928
Belt	5.1929
Pulley	5.1930
Flywheel Assembly	5.0600
Housing Assembly	5.0603
Cover (Lower)	5.0604
Pivot (Clutch Shifter Relay Lever)	5.0609
Fuel Pump Assembly	9.200
Detail Parts for A C ...	9.800
Repair Kit	9.2001
Tube Assy (To Carburetor) ..	9.209
Gasket Sets	
Carbon & Valve	5.0701
Carburetor	9.101
Combination (Complete Engine)	5.0700
Manifold	5.0902
Oil Pan	5.1101
Gear Cover	5.0800
Oil Retainer	5.0803
Plate Assy (Front End) ..	5.0806
Timing Indicator	5.0805
Generator	4.07001
Adjusting Strap	4.0701
Bracket	4.0702
Brush Set	4.0705
Detail Part - Delco	4.0900
Detail Parts - Auto-Lite ..	4.0900
Pulley	4.0706
Regulator (Current & Voltage)	4.0703
Ignition Cable (Bulk Stock) ..	4.11001
Ignition Cable (Detail) ..	4.1106
Ignition Cable Sets	4.1100
Manifold, Exhaust	5.0900
Clamp-(Hold Down)	5.0901
Gasket Set (Exhaust Intake)	5.0902
Thermostat (Heat Control) Cover	5.0904
Valve (Heat Control) ...	5.0908
Shaft Assembly	5.0910
Bushing	5.0913
Weight	5.0916
Manifold, Intake	5.0920
Lever (Carb. Throttle) ..	5.0931
Rod Assy (Carb. Throttle Control)	5.0928
Tube Assy (To Vacuum Operated Top)	5.0939
Oil Filler Assembly	5.1000
Cap	5.1001
Oil Filter	5.1009

ENGINE (CONT'D)

Bracket	5.1010
Tube	5.1015
Oil Pan Assembly	5.1100
Gasket Set	5.1101
Oil Lever Indicator Assembly	5.1102
Oil Pump Assembly	5.1200
Body	5.1202
Camshaft Gear	5.1203
Cover	5.1207
Impeller (Driven)	5.1209
Impeller (Driving) ...	5.1214
Piston (Pressure Relief Valve).....	5.1219
Shaft (Driven Impeller) ..	5.1210
Oil Strainer Assembly ..	5.1300
Bracket	5.1302
Tube (Suction)	5.1305
Piston Assembly	5.1400
Pin	5.1401
Lock	5.1402
Ring (Detail)	5.1403
Ring Sets.....	5.14025
Skirt Expander Sets ..	5.1404
Snubber Assembly	5.1500
Bracket (Frame)	5.1501
Channel (Frame Cross) ..	5.1503
Link Assembly	5.1507
Turnbuckle	5.1508
Rod	5.1509
Spark Plug	4.1105
Gasket	4.11125
Nut	4.1113
Starter Motor	4.1800
Detail Parts (Auto-Lite) ..	4.2000
Detail Parts (Delco)	4.2000
Support (Front)	5.1600
Channel Assembly	5.1601
Insulator	5.1603
Support (Rear)	5.1607
Channel & Bracket Assy ..	5.1609
Insulator Assembly	5.1609
Valve (Exhaust & Intake) ..	5.1700
Cover	5.1701
Tube Assy (Ventilator) ..	5.1703
Spring	5.1705
Guide (Valve Stem)	5.1710
Tappet	5.1711
Plunger (Hydraulic)....	5.1715
Screw (Adjusting)	5.1712
Vibration Damper Assembly ..	5.1800
Key	5.1807
Water Pump Assembly	5.1900
Body	5.1907
Cover	5.1909
Impeller	5.1912
Repair Kit	5.1902
Shaft & Bearings	5.1922
EXHAUST	
<i>For Manifold - Exhaust and In- take see Engine Group Index</i>	
Exhaust Pipe	6.100
Bracket	6.101
Clamp (To Muffler)	6.103
Cover	6.104
Clamp	6.105
Flange	6.107
Gasket	6.108
Muffler Repair Equipment ..	6.006
Muffler	6.000
Bracket & Clamp	6.008
Bracket Insulator	6.010
Outlet Tube	6.001
Bracket Assembly	6.002
Insulator	6.004
Clamp	6.005
Extension	6.106

FENDER

Fender Assembly, Front	7.000
Brace	7.002
Insulator	7.003
Bracket	7.005
Gravel Shield	7.0071
Brace	7.0072
Grill	7.0075
Liner	7.009
Splasher Assembly	7.011
Seal	7.015
Shock Absorber Seal ...	7.016
Vent	7.019
Trim Strip	7.021
Fender Assembly, Rear	7.100
Gravel Shield	7.103
Screw Insulation	7.104
Screw Spacer	7.105
Lid Assembly (Gasoline Filler)	7.101
Bumper	7.102
Hinge Assembly	7.1023
Liner (To Body)	7.106
Shroud Assembly	7.108
Trim Strip	7.117
FRAME ASSEMBLY	8.000
Brace (Body Hold Down Bracket)	8.002
Brace (Spring-Rear Bracket Front)	8.003
Bracket (Body Hold Down) ..	8.001
Bracket (Brake Hose Union) ..	8.003
Bracket (Brake Master Cylinder).....	8.005
Bracket (Muffler Support) ..	8.014
Bracket (Shock Absorber) (Rear)	8.024
Bracket (Spring) (Rear) ...	8.031
Bracket (Stabilizer Lateral)	8.036
Bracket (Wheel Rebound Bumper)	8.043
Bracket (Wheel Torque Arm) ..	8.044
Cap	8.045
Channel (Front)	8.007
Channel (Rear)	8.016
Channel (Rear Intermediate) ..	8.017
Brace	8.018
Reinforcement	8.019
Channel (Side(Front)Sub) ..	8.030
Channel (Side(Rear)Sub) ...	8.030
Plate (Rear Engine Support) ..	8.022
Plate (Shear)	8.023
Plate (Shock Absorber Reinforcement)	8.027
Plate (Steering Crank Mounting)	8.038
Side	8.028
Gusset	8.029
Spacer (Shock Absorber Rear Bolt)	8.0231
Spacer (Steering Gear Bolt) ..	8.039
Support (Gasoline Tank) ...	8.010
Bracket	8.011
Support (Muffler Outlet Tube)	8.013
"X" Member	8.046
FUEL	
Accelerator	
Lever, Relay	9.018
Bracket	9.019
Push Rod	9.020
Pedal	9.012
Hinge Bracket	9.013
Push Rod	9.014
Retracting Spring	9.016

CHASSIS ALPHABETICAL INDEX

FUEL (CONT'D)

Rod (Relay Lever) (To Carburetor Throttle Operating Shaft Lever)	9.0203
Turnbuckle	9.0205
Shaft Assembly, Cross ...	9.000
Bracket	9.003
Foot Pedal Lever	9.005
Operating Lever	9.007
Relay Lever Assembly ..	9.008
Retracting Spring	9.010
Throttle Lever	9.005
Carburetor Assembly	9.1001
Air Cleaner Assembly	9.102
Connecting Rod Assembly Throttle	9.114
Detail Parts for (Carter)	9.144
Gasket Set	9.101
Lever (Throttle Operating)	9.125
Link	9.130
Pin	9.126
Fuel Pump Assembly	9.200
Detail Parts for A C Fuel Pump	9.800
Repair Kit	9.2001
Shield Assembly (Heat) ..	9.2035
Tube (To Carburetor)	9.209
Gasoline Tank Assembly	9.300
Inlet	9.3005
Cap	9.302
Gauge Assembly	4.0600
Liner (To Frame)	9.309
Strap & Anti Squeak Assy. (Tank Support Lower)	9.306
Tube Assy. (Gasoline) ...	9.400
Hose Assembly (To Fuel Pump Inlet)	9.406
GASOLINE TANK (See FUEL Index Group)	
INSTRUMENT BOARD ASSEMBLY	10.000
Ash Receiver Assembly	10.001
Compartment	10.021
Door	10.022
Hinge	10.028
Lock Assembly	10.03055
Striker	10.035
Medallion	10.038
Moulding	10.0352
Trim Panel	10.0445
Dial (Cluster)	10.0546
Handle Assembly (Bonnet Lock)	10.0110
Bracket Assembly	10.0112
Knob	10.0114
Link	10.0116
Pin	10.0118
Panel Assembly (Center) ..	10.012
Panel Assembly, (Instrument)	10.058
Bulb (Gauge)	4.06155
Bulb (Reading Light) ...	4.1502
Clock	4.0200
Cover Assy. (Radio Opening)	10.087
Gauge Ammeter	4.0603
Gauge, Gasoline	4.0614
Gauge, Oil	4.0621
Gauge, Temperature	10.0915
Switch, Lamp Front	4.1335
Switch, Reading Light ..	4.1509
Temperature Gauge	10.0915
Tip & Knob, Cigar Lighter	4.0104
Trim (Plastic)	10.0635
Trim Band	10.0645
Trim Strip	10.065
Speedometer	10.100
Bulb	4.1700
Case Assembly	10.105

INSTRUMENT BOARD ASSEMBLY (CONT'D)

Shaft Assembly	10.127
Cable	10.128
LAMP	
Fender	4.1400
Body	4.1401
Bulb	4.14015
Lens	4.1407
Front	4.1300
Body	4.1301
Bulb	4.13025
Mounting Assembly	4.13026
Retainer	4.1303
Rear	4.1600
Body	4.1602
Bulb	4.16055
Cable Assembly	4.1611
Door	4.1620
Glass	4.1622
Fuse Container & Cable Assembly	4.1642
Jewel	4.1629
RADIATOR ASSEMBLY	11.000
Cap	11.001
Core & Bracket Assembly ..	11.003
Cradle Assembly	11.0045
Bracket (To Fender)	11.0086
Tie Rod Assy. (To Frame) Bracket	11.0112
Drain Cock	11.012
Grille Assembly	11.300
Blade	11.302
Frame	11.306
Hose (Inlet & Outlet)	11.0122
Rust Preventive	11.017
Shutter Assembly	11.2001
Bar & Stud Assembly Operating	11.208
Bell Crank & Bushing Assembly Operating ..	11.212
Blade	11.202
Bracket (To Radiator Shell)	11.220
Frame Assembly	11.207
Link, Operating	11.2115
Rod	11.2163
Thermostat & Cover Assy. Siphon Assembly	11.222
Splasher	11.108
Tie Rod & Nuts Assembly ..	11.014
Bracket	11.015
REAR AXLE	
Case Assembly	12.023
Differential Carrier Assy. Bearing	12.001
Carrier & Cap	12.0015
Cap	12.002
Case	12.004
Gear	12.021
Thrust Washer	12.022
Gear & Pinion Assembly (Driving)	12.005
Bearing	12.0105
Oil Seal Assy. (Front)	12.012
Sleeve	12.011
Idler Gear (Driving)	12.006
Lock Plate	12.007
Shaft	12.008
Roller	12.009
Pinion	12.018
Pin	12.019
Thrust Washer	12.020
Universal Joint Flange ...	12.0161
Dust Shield	12.0162
Spacer	12.017
Shaft	12.029
Bearing	12.0295
Oil Guard	12.030

REAR AXLE (CONT'D)

Gasket	12.031
Oil Seal	12.0315
Retainer	12.032
Gasket	12.033
Shim	12.034
Key	12.0340
Nut Oil Seal	12.0341
Thrust Block	12.035
Spacer	12.036
RUNNING BOARD ASSEMBLY	7.200
Brace (Frame)	7.203
Bracket Assembly	7.204
Mat (Clipper Type)	30.8105
Moulding (Clipper Type) ..	30.8135
Moulding	7.207
SHOCK ABSORBER	
Front Assembly	13.000
Friction Spring	13.005
Friction Washer	13.006
Valve	13.023
Rear Assembly	13.001
Bushing	13.002
Detail Parts	13.300
Gravel Shield	13.007
Pin	13.017
Valve	13.024
SPRINGS	
Spring Front	14.000
Adapter	14.001
Bumper Assembly	14.002
Seat	14.003
Striker (Lower)	14.004
Bracket (Striker and Stabilizer)	14.007
Retainer	14.006
Bumper Assembly (Rebound)	14.009
Insulator	14.008
Spacer	14.010
Spring Rear	14.100
Block	14.1015
Bushing	14.105
Bolt	14.1051
Clip	14.106
Leaf	14.109
Separator	14.110
Oil Retainer Assy. ..	14.111
Rubber Bumper	14.114
Clip	14.116
Shackle Assembly	14.117
Link	14.119
STABILIZER	
Stabilizer Assy. (Front) .	13.1001
Grommet	13.102
Guide	13.103
Retainer	13.104
Bearing	13.114
Bracket	13.115
Stabilizer Lateral Assy. .	13.1164
Shock Absorber	13.118
Tube	13.119
Stabilizer Torsional Assy. (Rear)	13.120
STEERING	
Column Assembly	15.3002
Bracket (To Instrument Board)	15.303
Anti Squeak	15.304
Grommet	15.305
Insulator	15.306
Spacer	15.307
Dash Brace	15.3072
Grommet	15.302
Insulator (Toe Board) ..	15.308
Shroud	15.3075
Grommet	15.3076
Connecting Rod Assembly ..	15.000
Adjusting Plug	15.001

CHASSIS ALPHABETICAL INDEX

STEERING (CONT'D)

Adjusting Plug Outer ...	15.008
Ball Seat	15.003
Spring	15.004
Dust Cover	15.006
Lever and Ball Stud Assembly (Idler) ..	15.0071
Dust Cover	15.0072
Lever Bushing Assembly (Idler) ..	15.0074
Lever Support	15.00746
Oiler	15.0075
Crank & Ball Stud Assembly	15.100
Pin	15.103
Sleeve	15.106
Cross Tube Assembly	15.200
Clamp	15.201
Dust Cover (Stud)	15.206
Seat	15.207
Socket Assembly	15.202
Direction Signal Switch & Cable	4.21082
Flasher	4.21086
Fuse	4.21088
Lever	4.21092
Pin	4.21094
Gear Assembly	15.310
Case Assembly	15.313
Tube (Worm Cover Grease Retaining)	15.316
Cross Shaft Assembly ...	15.318
Adjusting Shim	15.319
Bushing	15.320
Lever Assembly	15.321
Ball Stud	15.322
Roller Assembly	15.323
Thrust Washer	15.328
Shaft & Worm Assembly ..	15.329
Bearing	15.3295
Oil Seal Assembly	15.3305
Worm Bearing Adjusting Ring	15.3315
Wheel Assembly	15.333
Horn Ring Button and Emblem Assembly	4.1022
Cable Assembly	4.1024
Ring	4.1037
Emblem	4.1038
Pivot	4.10394
Plate (Contact)	4.1039
SUSPENSION (Wheel Front)	
Bracket (Jack)	15.500
Steering Knuckle Assy. ...	15.400
Adjusting Nut	15.401
Pin	15.4015
Washer (Lock)	15.402
Bearing Assembly	15.404
Lever	15.406
Oil Guard & Baffle Assy.	15.407
Pin Equipment	15.408
Pin	15.4081
Bushing	15.409
Plug	15.4105
Shim	15.411
Thrust Bearing Assembly.	15.412
Support	15.501
Arm Assembly	15.502
Bushing Assy. (Lower).	15.5035
Bracket (Inner)	15.5036
Pin Assembly	15.505
Bearing	15.5055
Insulator	15.506
Thrust Washer	15.507
Pin & Washer Assy. (Inner)	15.509
Shim (Bearing)	15.503
Insulator	15.512
Pilot & Washer Assembly.	15.511

SUSPENSION (CONT'D)

Pivot Pin	15.5132
Bushing	15.5135
Seal	15.5136
Torque Arm	15.515
Bushing (Rubber)	15.517
Insulator	15.516
Shim	15.518
TOOLS	
Bag (Tool & Jack)	16.003
Jack	16.0025
Pliers	16.005
Screw Driver	16.007
Wrench Spark Plug	16.011
Wrench Wheel & Jack	16.012
TRANSMISSION ASSY. (Without Econo-Drive)	
Case	3.200
Cover Assembly	3.202
Gasket	3.203
Clutch Shaft	3.206
Bearing Front	3.209
Bearing Rear & Retaining Ring	3.2092
Bearing Rear Cover	3.2091
Gasket	3.210
Retainer	3.211
Countershaft	3.212
Gear Cluster	3.214
Bearing Roller Ring ...	3.215
End Plate	3.216
Thrust Washer	3.218
Retainer	3.219
Direct Drive & Second Speed Clutch Gear	3.220
Ring	3.222
Direct Drive & Second Speed Shifter Lever	3.223
Driving Shaft Bearing Rear Cover	3.346
Gasket	3.230
First & Second Speed Gears & Bearing Assembly	3.231
First Speed Clutch and Reverse Gear	3.235
Flange (Universal Joint).	3.234
Oil Seal Assembly	3.236
Reversing Pinion Assembly .	3.232
Bushing	3.246
Shaft	3.247
Shifter Fork Ball Spacer	3.248
Bracket (Interlock)	3.250
Shaft Seal Retainer	3.251
Shifter Fork (Direct Drive & Second Speed Gear) .	3.252
Shoe	3.255
Shifter Fork (First Speed & Reverse Gear)	3.224
Shoe	3.226
Shifter Lever (First Speed & Reverse)	3.240
Speedometer Driving Gear ..	3.242
Speedometer Pinion & Shaft.	3.247
Steering Column Gear Shift Idler Lever Assembly .	3.300
Shaft Assembly	3.303
Spring	3.304
Rod Assy. (To Transmission)	3.305
Spring	3.309
Lever	3.310
Boot	3.311
Housing	3.3125
Bracket	3.313
Knob	3.314
Trim Ring	3.315

TRANSMISSION ASSY. (Without Econo-Drive) (CONT'D)

Selector	3.316
Rod Assembly	3.317
Plug (End)	3.320
Plunger (End)	3.321
Spring	3.322
Spring	3.323
Retainer	3.324
Shaft & Housing Assembly.	3.325
Bracket (Shaft)	3.326
Clamp	3.327
Lever (Shaft)	3.328
Rod (To Idler Lever).	3.330
Rod (To Idler Lever) (First & Reverse)	3.331
Rod (To Idler Lever) (Direct & Second)	3.332
Synchronizer Brake & Housing Assembly	3.260
Toe Board Cover	3.264
TRANSMISSION ASSY. (With Econo-Drive)	
Case	3.400
Gasket	3.401
Gasket	3.402
Driving Shaft 1st & 2nd Speed Gears & Bearing Assembly	3.403
Drive Lockout Cable Assy. .	3.404
Bracket	3.405
Clip	3.406
Drive Lockout Control Lever Assembly	3.408
Bushing	3.408
Spacer	3.409
Econo-Driver Unit Case	3.410
Adapter	3.416
Gasket	3.417
Hub (Clutch)	3.418
Bushing	3.420
Sleeve (Clutch)	3.421
Control Shaft	3.422
Lever	3.426
Free Wheel Cam & Bushing Assembly	3.429
Governor Assembly	3.435
Boot (Governor)	3.441
Pinion (Governor)	3.442
Sleeve	3.443
Snap Ring	3.444
Main Shaft Assembly	3.445
Bearing Snap Ring	3.446
Oil Collector Ring	3.448
Pilot	3.451
Bushing	3.453
Oil Collector Ring (Cage)	3.454
Pinion Shaft	3.457
Reverse Lockup Plunger ..	3.460
Ring Gear	3.463
Snap Ring	3.464
Shift Fork	3.465
Retractor Spring	3.466
Shift Rail	3.468
Lever (Interlock)	3.469
Spring	3.471
Stationary Gear	3.472
Balk Ring	3.478
Pawl	3.479
Plate Assembly	3.480
Cover	3.482
Snap Ring	3.483
Speedometer Gear (Used with all Ratios) ...	3.484
Speedometer Pinion & Shaft Assembly	3.485
Universal Joint & Driving Shaft Flange	3.486

CHASSIS ALPHABETICAL INDEX

UNIVERSAL JOINT

Bearing Assembly (Trunnion)	18.042
Cork (Roller Bushing)	18.0107
Retainer	18.011
Cross Assembly	18.005
Excluder (Dust)	18.007
Link (Tie)	18.041
Retainer (Trunnion Washer)	18.043
Roller (Bearing)	18.0005
Roller Bearing Assembly ...	18.0105
Shaft Assembly	18.013
Bearing (Trunnion)	18.0255
Bracket	18.026
Insulator (To X	
Member)	18.027
Dust Shield	18.029
Retainer	18.030
Support	18.031

UNIVERSAL JOINT (CONT'D)

Flange	18.017
Lock (Bolt)	18.014
Plate	18.015
Shield (Bearing Dust)	18.000
Spider	18.038

WHEEL

Assembly	19.000
Cap (Hub)	19.001
Oil Seal Assembly	19.0015
Cover (Hub Shell)	19.002
Clip	19.003
Emblem	19.0035
Trim Ring	19.041

WHEEL CARRIER (Side)

Brace (Wheel)	19.1195
Bracket	19.120

WHEEL CARRIER (Side) (CONT'D)

Pivot Pin	19.121
Socket	19.122
Bracket (To Dash)	19.105
Rod	19.106
Bracket (To Frame Support) .	19.107
Lock	19.108
Bracket (Rod)	19.117
Pivot Pin	19.118
Cylinder	19.112
Plate	19.113
Rod & Bracket Assembly ...	19.115
Tire Cover Assembly	19.006
Edging-Inner (Rubber)	19.014
Moulding	19.026
Turn Buckel & Bar Assy. ..	19.038
Washer (Felt)	19.039

BODY ALPHABETICAL INDEX

ARMREST

Ash Receiver	30.009
Attaching Plate	30.001
Cushion	30.000
Sponge Rubber	30.004
Trimmed Assembly (Front) ..	31.410
Cover	31.411
Trimmed Assembly (Rear) ..	31.412
ARM SLING	30.005
Bracket	30.0061
ASH TRAY ASSEMBLY	30.007
Ash Receiver	30.009
Case	30.011

BODY EQUIPMENT

Arm Rest	
Ash Receiver	30.009
Attaching Plate	30.001
Cushion	30.000
Sponge Rubber	30.004
Trimmed Assembly (Front) ..	31.410
Cover	31.411
Trimmed Assembly (Rear) ..	31.412
Arm Sling	30.005
Ash Tray Assembly	30.007
Ash Receiver	30.009
Case	30.011
Clock (Partition)	30.013
Courtesy Light	30.61125
Bulb	30.6114
Switch	30.6118
Foot Rest Assembly	30.014
Bar	30.015
Support	30.017
Bracket	30.018
Rear View Mirror Assembly ..	30.022
Robe Rail Assembly	30.024
Bracket	30.025
Cord	30.026
Escutcheon	30.0275
Sun Visor	30.030
Compression Spring	30.033
Toggle Grip Assembly	30.034
Vanity Cabinet	30.037
Bottle	30.038
Memorandum Book	30.039
Pencil	30.040

BODY PANELS (See Welded Assembly)

CARPETS (Fabric)

Floor Front	31.417
Floor Rear	31.418
Floor Rear & Front Seat	
Side Sills	31.421
Floor Rear Center &	
Folding Seat Floor &	
Side Sills	31.419
Floor Rear Compartment ..	31.420
Front Seat Side Sill ..	31.425
Trunk Compartment	31.427

CIGAR LIGHTER

Base	30.604
Cable Assembly (To body	
feed cable extension) ..	30.609
Cable Assembly (To	
ground)	30.610
Knob and Tip	30.605
Tip	30.608

CLOCK

Partition Header	30.013
COURTESY LIGHT	30.61125
Bulb	30.6114
Switch	30.6118

COWL

Lace (To Bonnet)	30.201
Moulding (Belt)	30.200
Seal (To Bonnet)(Rubber) ..	30.2015

DICTOGRAPH

Receiver	30.612
Attaching Bracket	30.613

DICTOGRAPH (CONT'D)

Transmitter	30.614
Winder	30.616
Bracket Assembly	30.618
Cable Assy (To Ground) ..	30.620
DOME LIGHT ASSEMBLY	30.622
Bulb	30.6220
Cable Assembly (To Ground) ..	30.624
Glass and Rim	30.623
Reflector	30.625
Switch	30.626
Cable Assembly	30.628
Plate	30.629

DOORS

Front (untrimmed)	31.243
Belt Moulding	30.301
Bumper	30.3010
Check Strap	30.304
Dove Tail (Male)	30.305
Dove Tail (Female)	30.306
Striker	30.308
Hinge Assembly (Upper) ..	30.310
Hinge Assembly (Lower) ..	30.311
Pin	30.312
Lock Equipment	30.3185
Lock	30.319
Cylinder Lock	30.320
Handle Right	30.326
Handle Left	30.327
Remote Control Assy. ..	30.331
Handle	30.332
Escutcheon Plate	30.334
Striker & Dove Tail	
Assembly	30.340
Striker	30.341
Trim (See Trim Group)	
Trim Panel Moulding	31.4365
Weatherstrip	30.344
Window	
Dust Seal	30.352
Finishing Moulding Rt. ..	30.356
Finishing Moulding Lt. ..	30.357
Attaching Parts	30.3570
Glass	30.366
Frame	30.370
Glass and Frame Assy. ..	30.371
Glass and Lifter Assy. ..	30.375
Header Weatherstrip. ..	30.380
Retainer	30.381
Lifter Assembly Right ..	30.382
Lifter Assembly Left ..	30.383
Carriage Assembly. ..	30.384
Glass Cushion	
(Everseal)	30.3845
Regulator Assembly ..	30.386
Arm Roller Guide ..	30.3865
Arm Stop Bracket ..	30.387
Cylinder Assembly. ..	30.3872
Handle	30.388
Escutcheon Plate. ..	30.390
Roller Guide	30.394
Reveal Finishing Rim ..	30.395
Runway Assembly	30.396
Retainer	30.398
Weatherstrip (To	
Folding Pillar) ..	30.354
Window Wing Assembly ..	30.401
Glass	30.404
Retainer and Pivot ..	30.408
Glass and Retainer Assy. ..	30.407
Locking Bracket	30.409
Locking Handle	30.410
Pivot	30.413
Bracket	30.416
Regulator Assembly ..	30.418
Handle	30.419
Escutcheon Plate ..	30.4205
Water Reflector	30.431
Weatherstrip	30.433
Retainer	30.434

DOORS (CONT'D)

Rear (Untrimmed)	31.245
Belt Moulding	30.438
Bumper	30.4380
Check Strap	30.440
Striker	30.445
Hinge Assy. (Upper) ..	30.446
Hinge Assy. (Lower) ..	30.447
Pin	30.448
Lock	30.449
Handle	30.450
Cylinder Lock	30.451
Locking Rod	30.453
Remote Control Assy. ..	30.456
Handle	30.457
Escutcheon Plate. ..	30.459
Striker & Dovetail	
Assembly	30.465
Striker	30.466
Trim (See Trim Group) ..	
Trim Panel Moulding ...	31.4390
Weatherstrip	30.469
Window	
Dust Seal	30.479
Finishing Moulding Rt. ..	30.480
Finishing Moulding Lt. ..	30.481
Glass	30.489
Glass and Frame Assy. ..	30.492
Glass and Lifter Assy. ..	30.495
Lifter Assembly	30.500
Regulator Assembly ..	30.502
Arm Roller Guide Assy. ..	30.5027
Arm Pivot Bracket ..	30.5025
Cylinder Assembly ..	30.5032
Handle	30.504
Escutcheon Plate ..	30.5055
Reveal Finishing Rim ..	30.508
Runway Assembly	30.509
Retainer	30.510
Wing Assembly	30.550
Draft Deflector	30.5505
Glass	30.551
Cushion	30.552
Retainer	30.5525
Lock Handle	30.5527
Shaft	30.5528
Pivot (Lower)	30.553
Weatherstrip	30.560
Weatherstrip	
(Division)	30.5503
DOOR TRIM	
Front	
Panel Assembly (Right) ..	31.435
Panel Assembly (Left) ..	31.436
Rear	
Panel Assembly (Right) ..	31.438
Panel Assembly (Left) ..	31.439
Moulding	31.4390
ELECTRICAL	
Cable Assembly (Body Feed) ..	30.600
Terminal	30.6003
Insulator	30.6004
Wiring Set	30.601
Cigar Lighter	
Base	30.604
Cable Assembly (To Body	
Feed Cable Extension) ..	30.609
Cable Assy. (To Ground) ..	30.610
Knob and Tip	30.605
Tip	30.608
Courtesy Light	30.61125
Bulb	30.6114
Switch	30.6118
Dictograph	
Receiver	30.612
Attaching Bracket ...	30.613
Transmitter	30.614
Winder	30.616
Bracket Assembly	30.618

BODY ALPHABETICAL INDEX

ELECTRICAL (CONT'D)

Cably Assy (To Ground)	30.620
Dome Light Assembly	30.622
Bulb	30.6220
Cable Assy (To Ground)	30.624
Glass and Rim	30.623
Reflector	30.625
Switch	30.626
Cable Assembly	30.628
Plate	30.629
License Lamp Assembly	30.634
Body	30.636
Bulb	30.6370
Socket and Cable Assy.	30.642
Socket Assembly	30.643
Support (Holder)	30.6395
Cable Assembly	30.649
Gasket (To Body)	30.635
Glass	30.650
Gasket	30.651
Retainer	30.652
Tag Bracket	30.657
Tag Bracket Lower and Bracket Plate Assembly	30.658
Quarter Light	30.660
Bulb	30.6600
Cable Assembly	30.661
Glass and Rim	30.663
Reflector	30.664
Switch	30.665
Plate	30.666
Trunk Compartment Light Assembly	30.667
Bulb	30.6670
Vanity Cabinet	
Bulb	30.6675
Cable Assembly	30.668
Socket (Disconnecter Plug)	30.670
Window Regulator	
Cable Assembly	30.680
Conduit (Front Door to Front Frame Cable)	30.681
Motor and Pump Assembly	30.6811
Ground Strap	30.6813
Relay	30.6814
Support	30.6815
Solenoid	30.684
Clamp	30.6851
Solenoid and Anti- Rattler Assembly	30.685
Switch	30.688
Tank Assembly (Oil)	30.682
Cap (Filler)	30.683
Tube Assembly	30.6812
Wiring Harness Assembly	30.689
Circuit Breaker	30.6882
Clamp	30.6884
Screw (Contact)	30.6886
Windshield Wiper	
Blade (Wiper)	30.7085
Arm Assembly	30.709
Detail Parts (Stewart- Warner)	30.765
Motor Assembly	30.703
Switch	30.705
Knob	30.706
Tie Rod (Mounting To Dash)	30.7045
FLOOR	
Cover Assembly (Battery)	30.800
Pad	30.803
Cross Tube Assembly (Window Regulator)	30.818
Moulding (Side Sill)	30.8135
Panel (Side Sill)	30.814
Scuff Plate (Door)	30.806
Step Mat (Door)	30.8105

FOLDING SEAT

Bracket (Back)	30.880
Frame Assembly	30.885
Handle	30.886
Pad (Seat Cushion)	30.883
Support Assembly	30.893
Trimmed Assembly	31.446
Cover Assembly	31.449
FOLDING TOP ASSEMBLY (Less Fabric)	31.000
Bow	31.015
Weatherstrip Assy Front.	31.037
Bracket (Vacuum Control)	31.105
Bumper (Pillar)	31.056
Clamp Bracket (To W/S Clamp)	31.098
Cross Bar (Front)	31.038
Bracket (Side)	31.039
Pad	31.046
Cylinder Assembly (Vacuum)	31.107
Glass	31.061
Handle (W/S Header Clamp).	31.099
Hose (Vacuum Tube)	31.116
Knob (Vacuum Control)	31.106
Link (Top Balance)	31.009
Link (Control)	31.025
Pad (Pillar) (Lower)	31.035
Pillar Hinge Assembly	31.029
Bracket	31.032
Dovetail	31.033
Screw (Pivot)	31.031
Rail Assembly (Side)	31.074
Slat Iron	31.085
Bracket	31.013
Strap Assembly (Hold Down)	31.053
Loop (Footman)	31.054
Trimming	
Curtain Assembly (Rear).	31.444
Valance Assembly	31.445
Deck Assembly	31.441
Envelope Assembly	31.443
Bag Assembly	31.4435
Tube (Vacuum)(Control Valve to Chassis Manifold).	31.111
Valve Assembly (Vacuum Control)	31.104
Weatherstrip (Rear Window)	31.063
Weatherstrip (To W/S Header)	31.102
FOOT REST	
Assembly	30.014
Bar	30.015
Support	30.017
Bracket	30.018
Cushion	30.021
Screw	30.019
FRONT SEAT	
Back Spring	30.900
Cushion Spring	30.908
Hinge	30.913
Bracket	30.914
Pivot Screw	30.915
Operating Lever Relay	30.9273
Spring	30.9277
Mechanism	30.933
Connecting Shaft	30.935
Side Sill Carpet Assembly.	31.425
Trim	
Back Trim Cover Assembly	31.455
Cushion (Trimmed) Assy.	31.452
Trim Cover Assembly	31.453
Untrimmed Assembly	31.247
Back Assembly	31.2471
HASSOCK	
Assembly	31.456
Trim Cover Assembly	31.457
HEADLINING	
Assembly	31.458

INSULATION

Roof Bow	30.825
Battery Cover	30.831
Body Panel Anti-Rumble Compound	30.832
Dash Panel Pad	30.833
Floor Pan - Front	30.834
Floor Pan Filler	30.8365
Floor Pan Rear	30.836
Floor Rear Seat Pan	30.837
Floor Trunk Compartment Pan	30.841
Front Seat Track to Seat Frame Liner	30.8415
Jute Pad 36" wide	30.842
Roof	30.8426
Roof Panel Cement	30.845
Roof Panel Center	30.843
Roof Panel Side Quarter	30.844
Toe Board	30.846
KICK PADS	
Cowl Kick Pad Paperboard Assembly	31.460
Cowl Kick Pad Trimming Assy.	31.459
LICENSE LAMP	
Assembly	30.634
Gasket (To Body)	30.635
Body	30.636
Bulb	30.6370
Socket and Cable Assembly	30.642
Socket Assembly	30.643
Cable Assembly	30.649
Glass	30.650
Gasket	30.651
Retainer	30.652
Tag Bracket	30.657
Tag Bracket Lower and Bracket Plate Assembly	30.658
MAT RUBBER	
Floor Front	31.430
Floor Rear	31.431
PARTITION	
Back Compartment Lid	
Dowel	30.849
Handle	30.850
Hinge	30.851
Striker Plate	30.852
Clock (Header)	30.013
Window	
Anti-rattler (Belt rear)	30.854
Bumper	30.8545
Finishing Moulding Assy.	30.855
Glass	30.858
Cushion	30.859
Lifter Assembly	30.861
Regulator Assembly	30.863
Cylinder Assembly	30.8632
Bracket Assembly	30.8633
Tube Assembly (To Solenoid)	30.8634
Handle	30.864
Escutcheon Plate	30.865
Hinge (Compt. Lid)	30.868
Knob (Compt. Lid)	30.867
Striker Plate (Compartment Lid)	30.869
Insert	30.870
Piston Rod	30.8704
Tube Assembly (Solenoid to Cross)	30.8706
Runway	30.871
Retainer	30.872
Shim	30.873
QUARTER WINDOW (Rear)	
Dust Seal	31.280
Finishing Moulding Right	31.281
Finishing Moulding Left	31.282
Finishing Rim (Reveal)	31.286
Glass	31.287

BODY ALPHABETICAL INDEX

QUARTER WINDOW (Rear) (CONT'D)

Cushion	31.2875
Weatherstrip	31.290
Lifter Assembly	31.291
Regulator Assembly	31.293
Handle	31.294
Escutcheon Plate	31.297
Runway Assembly	31.299
Retainer	31.300

QUARTER WINDOW WING ASSEMBLY

Glass	31.308
Glass & Retainer Assy.....	31.310
Handle (Operating)	31.316
Regulator Assy.....	31.329
Escutcheon Plate	31.331
Handle	31.330
Weatherstrip	31.345

REAR SEAT

Arm Rest (Folding)	30.942
Link	30.944
Spring	30.946
Spring (Back)	30.940
Spring (Cushion)	30.941

REAR SEAT TRIM

Cover (Back)	31.461
Cover (Cushion)	31.463
Cushion (Seat)	31.462

REAR MIRROR ASSY.

30.022

ROBE NAIL ASSY.

30.024	
Bracket	30.025
Cord	30.026
Escutcheon	30.0275
Spring (End)	30.027
Key	30.028
Sleeve	30.029

ROOF (see welded assy.)

SEAT

Folding	
Bracket (Back)	30.880
Frame Assy.	30.885
Handle	30.886
Pad (Seat Cushion)	30.883
Support Assy.	30.893
Spring	30.897
Trimmed Assy.	31.446
Cover	31.451
Cover Assy.	31.449

Front

Back Spring	30.900
Cushion Spring	30.908
Hinge	30.913
Bracket	30.914
Pivot Screw	30.915
Operating Relay	30.9273
Spring	30.9277
Mechanism	30.933
Connecting Shaft ...	30.935

Trim

Back Trim Cover Assy..	31.455
Cushion (Trimmed) Assy.	31.452
Trim Cover Assy. ...	31.453

Untrimmed

Assembly	31.247
Back Assy.	31.2471

Rear

Arm Rest (Folding)	30.942
Link	30.944
Spring	30.946
Spring (Back)	30.940
Spring (Cushion)	30.941

SUN VISOR COMPLETE

30.030	
Gasket	30.032
Spring (Compression)	30.033
30.034	

TOGGLE GRIP ASSY.

30.034

TRIM

Arm Rest Assy.(Front Door)	31.410
Trim Cover Assy.	31.411

TRIM (CONT'D)

Arm Rest Assy. (Rear Seat)	31.412
Arm Sling	30.005
Carpets (Fabric)	
Floor Front	30.417
Floor Rear	31.418
Floor Rear & Front Seat	
Side Sills	31.419
Floor Rear Compartment .	31.420
Floor Rear Compartment &	
Side Sills	31.421
Front Seat Side Sill ...	31.425
Trunk Compartment	31.427

Door Front

Panel	31.435
-------------	--------

Door Rear

Panel	31.438
Foot Rest Assy.	30.014
Hassock Assy.	31.456
Trim Cover Assy.	31.457
Headlining Assy.	31.458
Kick Pad Assy. (Cowl)	31.459
Paperboard	31.460

Mat Rubber

Floor Front	31.430
Floor Rear	31.431

Pillar

Center Trimming Assy. ..	31.414
Center Lower Trim. Assy.	31.415
Rear Trimming Assy.	31.413
Robe Rail Assy.	30.024
Cord Assy.	30.026
Seat Folding Assy.	31.446
Back Trim Cover Assy. ..	31.451
Cushion Trim Cover Assy.	31.449

Seat Front

Cushion Assy.	31.452
Trim Cover Assy.	31.453
Trim Cover (Seat Back) .	31.455

Seat Rear

Cushion Assy.	31.462
Trim Cover Assy.	31.463
Trim Cover Assy. (Seat	
Back)	31.461

Sun Visor

30.030

Toggle Grip Assy.

30.034

Top (Folding)

Curtain Assy. (Rear) ...	31.444
Valance Assy.	31.445
Deck Assy.	31.441
Envelope Assy.	31.443
Bag Assy.	31.4435

TRIM (Bulk Stock)

Binding	31.465
Buckram	31.466
Carpet	31.468
Cloth	31.469
Cord Welt	31.471
Drill	31.473
Fabric	31.474
Fastener	31.4745
Felt	31.475
Gimp	31.476
Hog Ring	31.477
Lace	31.480
Leather	31.481
Pad (Jute)	31.483
Paperboard	31.485
Shim	31.486
Plush	31.487
Sheeting	31.490
Tack	31.4915
Thread	31.4916
Wadding	31.492
Webbing	31.494
Windlace (Cloth)	31.497
Windlace (Leather)	31.498

TRUNK

Cover Assy. (Tire)	31.197
--------------------------	--------

TRUNK (CONT'D)

Lid Assy.	31.157
Brace Assy.	31.158
Clamp	31.160
Bracket	31.162
Hinge Assy.	31.164
Spring	31.166
Lock Assy.	31.167
Handle (With Key Lock)	31.173
Striker	31.187
Plate	31.188
Weatherstrip	31.190
Plate (Tire Clamp)	31.1967
Stop (Tire)	31.202
VANITY CABINET	30.037
Book (Memorandum)	30.039
Pencil	30.040
Bottle	30.038

VENTILATOR

Brace (To Dash Panel)	31.230
Cover Assy.	31.225
Link (Adjusting)	31.226
Handle	31.231
Knob	31.234
Support & Link Assy. ...	31.235
Hinge	31.237
Hose (Drain Tube)	31.2305
Trough & Screen Assy.	31.238
Weatherstrip	31.239

WELDED ASSEMBLY

Center Pillar Assy.	31.240
Door Assy.(Front Untrimmed)	31.243
Door Assy.(Rear Untrimmed)	31.245
Drain Gutter (Rear End	
Panel Trunk)	31.252
Front End Assy.	31.242
Front Seat Assy.(Untrimmed)	31.247
Back Assy.	31.2471
Moulding (Roof Rain Gutter)	31.254
Panel Assy.(Rear End Quart.)	31.251
Panel (Rear End Center) ...	31.250
Roof Assy.	31.253

WINDOW

Door Front

Dust Deal	30.352
Finishing Moulding Right	30.356
Finishing Moulding Left.	30.357
Attaching Parts	30.3570
Glass	30.366
Frame	30.370
Glass & Frame Assy.	30.371
Glass & Lifter Assy. ...	30.375
Header Weatherstrip	30.380
Retainer	30.381
Lifter Assy. Right	30.382
Lifter Assy. Left	30.383
Glass Cushion(Everseal)	30.3845
Regulator Assy.	30.386
Arm Roller Guide	30.3865
Arm Stop Bracket	30.387
Cylinder Assy.	30.3872
Handle	30.388
Escutcheon Plate ...	30.390
Roller Guide	30.394
Regulator Electrical	
Motor & Pump Assy. ...	30.6811
Solenoid	30.684
Switch	30.688
Tank Assy.(Oil)	30.682
Reveal Finishing Rim ...	30.395
Runway Assy.	30.396
Retainer	30.398
Weatherstrip (To Folding	
Pillar)	30.354
Wing Assy.	30.401
Glass	30.404
Retainer & Pivot ...	30.408
Glass & Retainer Assy.	30.407

BODY ALPHABETICAL INDEX

WINDOW (CONT'D)

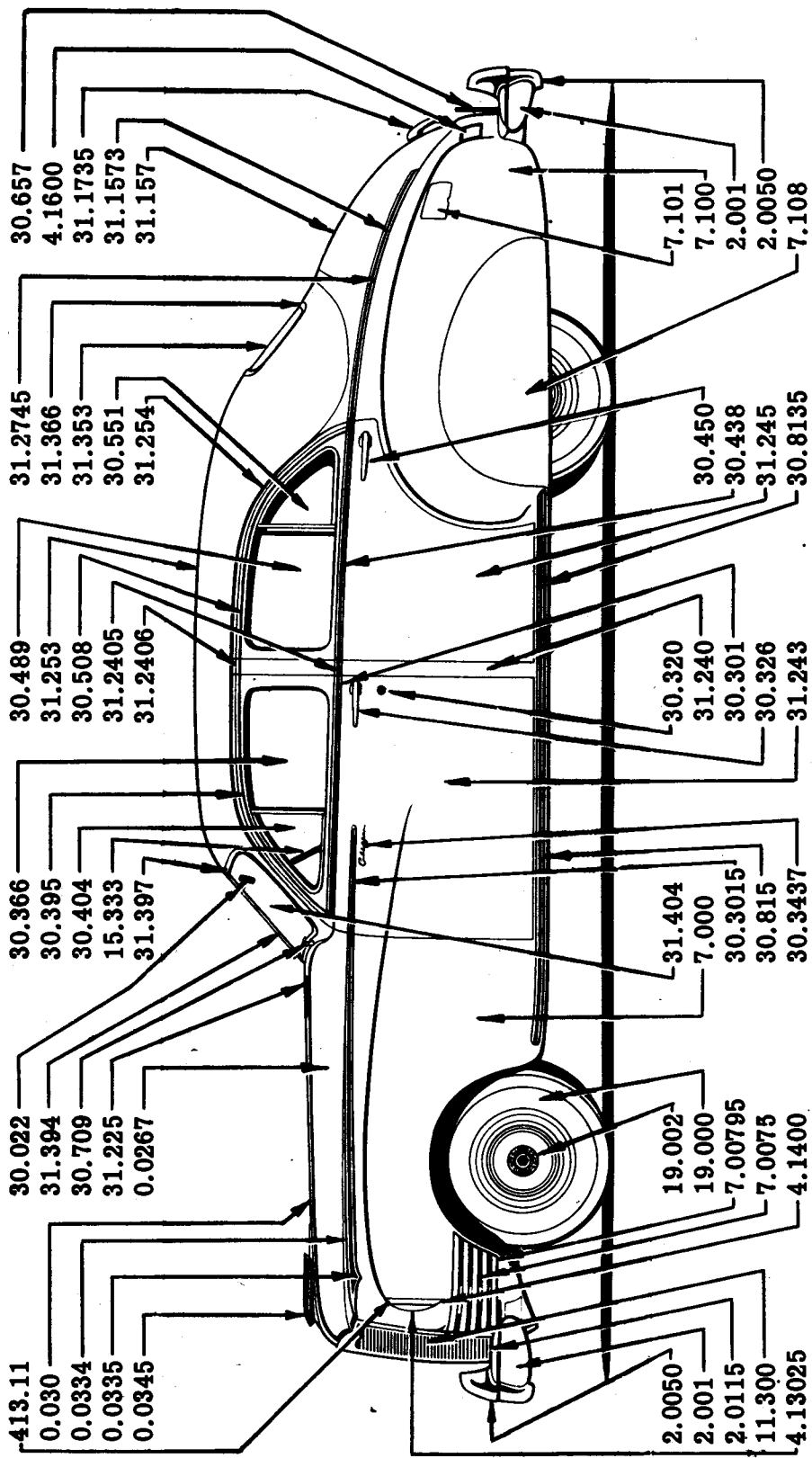
Locking Bracket	30.409
Locking Handle	30.410
Pivot	30.413
Bracket	30.416
Regulator	30.418
Handle	30.419
Escutcheon Plate ...	30.4205
Water Deflector	30.431
Weatherstrip	30.433
Retainer	30.434
<u>Door Rear</u>	
Dust Seal	30.479
Finishing Moulding Right.	30.480
Finishing Moulding Left .	30.481
Glass	30.489
Glass and Frame Assembly.	30.492
Glass and Lifter Assembly	30.495
Lifter Assembly	30.500
Regulator Assembly	30.502
Arm Pivot Bracket	30.5025
Arm Roller Guide Assy..	30.5027
Cylinder Assembly	30.5032
Handle	30.504
Escutcheon Plate	30.5055
Regulator Electrical	
Motor and Pump Assy. ..	30.6811
Solenoid	30.684
Switch	30.688
Tank Assembly (Oil) ...	30.682
Reveal Finishing Rim	30.508
Runway Assembly	30.509
Retainer	30.510
Weatherstrip (To Folding	
Pillar)	30.486
Weatherstrip (Header) ...	30.498
Wing Assembly	30.550
Draft Deflector	30.5505
Glass	30.551
Cushion	30.552
Retainer	30.5525

WINDOW (CONT'D)

Lock Handle	31.5527
Shaft	30.5528
Pivot (Lower)	30.553
Weatherstrip	30.560
Retainer	30.562
Clip	30.564
Weatherstrip (Div.) ..	30.5503
<u>Partition</u>	
Anti-Rattler (Belt Rear)	30.854
Bumper	30.8545
Finishing Moulding Assy.	30.855
Glass	30.858
Cushion	30.859
Lifter Assembly	30.861
Regulator Assembly	30.863
Cylinder Assembly	30.8632
Bracket Assembly ...	30.8633
Tube Assembly (To	
Solenoid)	30.8634
Handle	30.864
Escutcheon Plate ...	30.865
Piston Rod	30.8704
Tube Assy. Solenoid	
(To Cross)	30.8706
Runway	30.871
Retainer	30.872
Shim	30.873
<u>Quarter Rear</u>	
Dust Seal	31.280
Finishing Moulding Right	31.281
Finishing Moulding Left.	31.282
Finishing Rim (Reveal) .	31.286
Glass	31.287
Cushion	31.2875
Weatherstrip	31.290
Lifter Assembly	31.291
Regulator Assembly	31.293
Handle	31.294
Escutcheon Plate ...	31.297

WINDOW (CONT'D)

Runway Assembly	31.299
Retainer	31.300
Wing Assembly	31.305
Glass	31.308
Glass and Retainer Assy.	31.310
Handle (Operating) ...	31.316
Regulator Assembly ...	31.329
Escutcheon Plate ...	31.331
Handle	31.330
Weatherstrip	31.345
<u>Rear</u>	
Glass	31.353
Retainer	31.355
Weatherstrip	31.358
Moulding (Finishing) ...	31.365
Rim (Finishing)	31.366
<u>WINDSHIELD ASSEMBLY</u>	
Channel Assembly (Div.) ..	31.391
Filler (End)	31.392
Reinforcement	31.393
Frame	31.400
Glass	31.404
Weatherstrip	31.406
Moulding (Division	
Finishing)	31.394
Moulding (Finishing)	31.395
Plate (Joint Cover)	31.396
Rim (Finishing)	31.397
<u>WINDSHIELD WIPER</u>	
<u>Electrical</u>	
Blade (Wiper)	30.7085
Arm Assembly	30.709
Detail Parts (Stewart-	
Warner)	30.765
Motor Assembly	30.703
Switch	30.705
Knob	30.706
Tie Rod (Mounting to	
Dash)	30.7045



CAR EXTERIOR VIEW

BONNET

0.0015 - 0.0175

INDEX NO.	PART NO.	DESCRIPTION AND MODELS	PER CAR	INDEX NO.	PART NO.	DESCRIPTION AND MODELS	PER CAR
BONNET				BONNET—Continued			
0.0015	BUMPER, (Bonnet)			0.0090	BUMPER, Bonnet pivot (Cont'd)		
	372174 (To cowl) 2000-1-3-6-10-11	10		7941 (50.100) Nut #12-24	4
	372165 (Front) 2000-1-10-11	2		7575 Screw #12-24 x 5/8	4
	372165 (Front) 2003-6	4		7330 (50.200) Washer #10	4
	373956 (Rear corner) 2000-1-3-6-10-11	2	0.0091	PROP AND PIVOT ASSEMBLY, Bonnet		
	372146 (Rear) 2000-1-10-11	4		372467 2000-1-3-6-10-11	1
	372146 (Rear) 2003-6	6	0.0093	BOLT, Bonnet prop pivot		
	373957 Clip	2		376062 1/4-20 x 2-3/4 2000-1-3-6-10-11	1
	7934 (50.300) Screw #8 x 1/2	x		7304 (50.100) Nut 1/4-20	1
0.0016	DOWEL, Bonnet				7319 (50.200) Washer plain 1/4	1
	372332 (Rear) 2000-1-3-6-10-11	2	0.0094	REST, Bonnet prop		
	7305 (50.100) Nut 5/16-18	2		372463 2000-1-3-6-10-11	2
0.0025	PIN, Bonnet guide				6620 Screw #10 x 1/2 Tapping	4
	372326 2000-1-3-6-10-11	4	0.0095	SPRING, Bonnet prop		
	5504 (50.220) Lockwasher 5/16	4		376064 2000-1-3-6-10-11	1
	7138 (50.003) Screw 5/16-18 x 5/8	4	0.0096	CATCH ASSEMBLY, Bonnet safety		
	6359 (50.200) Washer	4		370412 Right 2000-1-3-6-10-11	1
0.007	LOCK, Bonnet				370413 Left 2000-1-3-6-10-11	1
	362118 Right 2001A-3A-4-5-7-8-21-3-55	1		5502 (50.220) Lockwasher 1/4	2
	362116 Right 2020	1		7304 (50.100) Nut 1/4-20	2
	362117 Left 2001A-3A-4-5-7-8-21-3-55	1		7129 (50.003) Screw 1/4-20 x 1/2	2
	362115 Left 2020	1		7690 (50.300) Screw #10 x 1/2 Tapping	2
	6968 (50.240) Cotter pin 1/16 x 5/8	2	0.0097	ANTI-RATTLER, Bonnet safety catch		
	5502 (50.220) Lockwasher 1/4	2		372872 2000-1-3-6-10-11	2
	5504 (50.220) Lockwasher 5/16	2	0.0098	SPRING, Bonnet safety catch		
	7004 (50.100) Nut 1/4-8	2		302404 2000-1-3-6-10-11	2
	7005 Nut 5/16-24	2	0.011	SIDE ASSEMBLY		
	7801 (50.003) Screw 1/4-28 x 1/2	2		373775 Right 2001A-3A-4-5-7-8-23-55	1
	7553 (50.003) Screw 5/16-24 x 7/8	2		377319 Right 2020	1
	5937 (50.200) Washer 9/32	2		377419 Right 2021	1
	3874 (50.200) Washer 5/16	2		373774 Left 2001A-3A-4-5-7-8-23-55	1
0.0071	CLAMP, Bonnet lock				377318 Left 2020	1
	372294 Right 2000-1-3-6-10-11	2		377418 Left 2021	1
	372295 Left 2000-1-3-6-10-11	2		5504 (50.220) Lockwasher 5/16 2001A-20-1	2
0.0072	BRACKET, Bonnet lock clamp				341548 Nut #12-11 (To radiator grille) 2001A-3A-4-5-7-8-20-1-3-55	x
	302304 Right 2000-1-3-6-10-11	2		7553 (50.003) Screw 5/16-24 x 7/8 2001A-20-1	2
	372305 Left 2000-1-3-6-10-11	2		3874 (50.200) Washer 5/16 2001A-20-1	4
0.0073	ROD, Bonnet lock clamp operating			0.0115	BRACKET, Side (to cowl)		
	372777 2003-6	2		356475 Right 2001A-3A-4-5-7-8-20-1-3-55	1
	4290 (50.240) Cotter pin 3/32 x 5/8	4		356474 Left 2001A-3A-4-5-7-8-20-1-3-55	1
	330344 Spring washer 5/16 x 5/8	2		5502 (50.220) Lockwasher 1/4	4
	3874 (50.200) Washer 5/16	x		7801 (50.003) Screw 1/4-28 x 1/2	4
0.0074	SPRING, Bonnet lock clamp operating rod				326546 Washer 11-32 x 1-1/8 x 1/16	4
	373764 2000-1-3-6-10-11	2	0.0156	LINER, Side		
0.00745	PIN, Bonnet lock clamp				358669 (To cowl) 2001A-3A-4-5-7-8-20-1-3-55	2
	372331 2000-1-3-6-10-11	4	0.016	LOUVER ASSEMBLY, Side		
0.00746	SPRING, Bonnet lock clamp				356690 Right 2001A-3A	1
	372450 2000-1-3-6-10-11	4		356692 Right 2004-5-23-55	1
0.0075	SPACER, Lock clip				356694 Right 2007-8	1
	333976 2003A-4-5-6-8-23-55	2		356688 Right 2020	1
0.008	HANDLE, Lock				358274 Right 2021	1
	356675 Right 2001A-3A-4-5-7-8-23-55	1		367191 Right 2030	1
	356671 Right 2020	1		356689 Left 2001A-3A	1
	356673 Right 2021	1		356691 Left 2004-5-23-55	1
	356674 Left 2001A-3A-4-5-7-8-23-55	1		356693 Left 2007-8	1
	356670 Left 2020	1		356687 Left 2020	1
	356672 Left 2021	1		358273 Left 2021	1
0.0085	PIN, Lock handle				367190 Left 2030	1
	362553 2001A-3A-4-5-7-8-20-1-3-55	2		324759 Nut #10-24	x
0.0086	SPRING, Bonnet lock link			0.0175	MEDALLION, Side louver		
	362140 2001A-3A-4-5-7-8-20-1-3-55	2		356487 2004-5-21-3-30-55	2
0.0090	BUMPER, Bonnet pivot				356558 2007-8	2
	372164 2000-1-3-6-10-11	2		348916 Palnut 2007-8	2
	7154 (50.220) Lockwasher #12	4				

BONNET

INDEX NO.	PART NO.	DESCRIPTION AND MODELS	PER CAR
BONNET—Continued			
0.0275	SCRIPT, Side		
	364081 (For 160) 2004-5-23-55	2
	364082 (For 180) 2007-8	2
	364121 Speednut 3/32	8
0.0276	TOP ASSEMBLY COMPLETE, Bonnet		
	378659 (Chrome mldgs) 2000-1-10-11	1
	▲382314 (Prime mldgs) 2000-1-10-11	1
	364895 2001A-3A-4-5-7-8-23-55	1
	378906 (Chrome mldgs) 2003-6	1
	▲382313 (Prime mldgs) 2003-6	1
	356859 2020-30	1
	356883 2021	1
0.028	TOP ASSEMBLY, Bonnet		
	378658 2000-1-10-11	1
	378905 2003-6	1
	356741 Right 2001A-3A-4-5-7-8-21-3-55	1
	356703 Right 2020	1
	356742 Left 2001A-3A-4-5-7-8-21-3-55	1
	356702 Left 2020	1
0.0281	BUMPER, Top		
	364302 2001A-3A-4-5-7-8-20-1-3-55	10
0.0282	HINGE, Top center		
	356196 2001A-3A-4-5-7-8-21-3-55	2
	356195 2020	2
	8255 Rivet 9/64 x 7/32	34
0.0283	MOULDING ASSEMBLY, Top center hinge		
	356234 2001A-3A-4-5-7-8-21-3-55	1
	356233 2020	1
0.0284	BRACKET FRONT AND RETAINER ASSEMBLY, Top center hinge moulding		
	356887 2001A-3A-4-5-7-8-20-1-3-55	1
	5502 (50.220) Lockwasher 1/4	2
	7801 (50.003) Screw 1/4-28 x 1/2	2
	7319 (50.200) Washer 1/4	2
0.0285	BRACKET, Top center hinge molding hold down		
	356873 2001A-3A-4-5-7-8-20-1-3-55	1
	6699 (50.230) Lockwasher 1/4 internal	1
	7801 (50.003) Screw 1/4-28 x 1/2	1
	3870 Washer 1/4 2001A-3A-4-5-7-8-20-1-3	1
0.0286	SUPPORT, Top center hinge moulding (rear)		
	356431 2001A-3A-4-5-7-8-20-1-3-55	1
0.0287	PLATE, Top center hinge moulding support rear		
	356598 2001A-3A-4-5-7-8-20-1-3-55	1
	7213 (50.002) Screw 1/4-28 x 5/8	1
0.030	MOULDING, Top center panel		
	378590 (Chrome) 2000-1-10-11	1
	▲382312 (Prime) 2000-1-10-11	1
	373953 (Chrome) 2003-6	1
	▲382311 (Prime) 2003-6	1
	240708 Fastener	x
	5500 (50.230) Lockwasher #10 internal	4
	7003 (50.100) Nut 10-32	4
	364336 Screw	4
0.0334	MOULDING, Top (side)		
	378915 Right (chrome) 2000-1-10-11	1
	▲379900 Right (prime) 2000-1-10-11	1
	364311 Right 2001A-3A-4-5-7-8-21-3-55	1
	379041 Right (chrome) 2003-6	1
	▲379902 Right (prime) 2003-6	1
	364309 Right 2020	1
	378914 Left (chrome) 2000-1-10-11	1
	▲379899 Left (prime) 2000-1-10-11	1
	364310 Left 2001A-3A-4-5-7-8-21-3-55	1
	379040 Left (chrome) 2003-6	1
	▲379901 Left (prime) 2003-6	1
	364308 Left 2020	1
	364327 Clip	x

INDEX NO.	PART NO.	DESCRIPTION AND MODELS	PER CAR
BONNET—Continued			
0.0335	BARB, Top moulding (side)		
	379125 Right (chrome) 2000-1-3-6-10-11	1
	▲379895 Right (prime) 2000-1-3-6-10-11	1
	364257 Right 2001A-3A-4-5-7-8-20-1-3-55	1
	379124 Left (chrome) 2000-1-3-6-10-11	1
	379894 Left (prime) 2000-1-3-6-10-11	1
	364256 Left 2001A-3A-4-5-7-8-20-1-3-55	1
0.03353	RETAINER, Top moulding (side) barb		
	379126 Front 2000-1-3-6-10-11	2
	379127 Rear 2000-1-3-6-10-11	2
0.03355	CUP WASHER, Bonnet top moulding		
	183962 2000-1-3-6-10-11	x
0.0336	SCREW, Top (side) moulding		
	378714 #10-32 (With retainer) 2000-1-10-11	1
	7568 (50.000) #10-24 x 3/8 2000-1-3-6-10-11	x
	364336 #10-32 x 1/2 2001A-3A-4-5-7-8-20-1-3-55	4
	356439 Front #10-32 x 3/8 2001A-3A-4-5-7-8-20-1-3-55	x
	6056 (50.230) Lockwasher #10 external 2000-1-3-6-10-11	x
	5935 (50.230) Lockwasher #10 internal 2001A-3A-4-5-7-8-20-1-3-55	x
	7003 (50.100) Nut #10-32 20th Series	x
	378392 Nut #10 24 2000-1-3-6-10-11	x
	6757 (50.200) Washer #10 plain 2000-1-3-6-10-11	x
0.0345	ORNAMENT ASSEMBLY, Top		
	373445 (Chrome) 2000-1-3-6-10-11	1
	▲382310 (Prime) 2000-1-3-6-10-11	1
	364755 2001A-3A-4-5-7-8-23-55	1
	356763 2020-1-30	1
	183962 Cupwasher 2000-1-3-6-10-11	1
	6056 (50.230) Lockwasher #10 2000-1-3-6-10-11	3
	7162 (50.120) Nut 1/4-28 (stud) 2001A-3A-4-5-7-8-20-1-30-55	1
	7568 (50.000) Screw #10-24 x 3/8 2000-1-3-6-10-11	2
	7564 (50.000) Screw #10-24 x 1/2 2000-1-3-6-10-11	1
	356773 Washer (stud) 2001A-3A-4-5-7-8-20-1-3-30	1
0.0346	BOLT, Top ornament mounting		
	356772 2001A-3A-4-5-7-8-20-1-30-55	2
	6056 (50.230) Lockwasher (shakeproof)	2
0.0347	PROP ASSEMBLY, Top		
	356221 Right 2001A-3A-4-5-7-8-20-1-3-55	1
	356220 Left 2001A-3A-4-5-7-8-20-1-3-55	1
	7095 (50.050) Bolt 1/4-20 x 5/8	2
	5502 (50.220) Lockwasher 1/4	2
	7304 (50.100) Nut 1/4-20	2
	356615 Rivet	6
	7801 (50.003) Screw 1/4-24 x 1/2	2
	3870 Washer	2
0.03475	SPRING WASHER, Top prop link		
	356619 2001A-3A-4-5-7-8-20-1-3-55	6
0.0348	WEATHERSTRIP, Bonnet		
	370543 2000-1-3-6-10-11	1
0.0349	RETAINER, Bonnet weatherstrip		
	372244 2000-1-3-6-10-11	1
	7649 (50.300) Screw #8 x 3/8 tapping	9
	8056 (50.300) Screw #8 x 1 tapping	2

▲ Used on Clipper Four Door Sedans built after Jan. 1, 1942 only. All other body types have chrome trim.

BRAKE

1.000 - 1.0231

INDEX NO.	PART NO.	DESCRIPTION AND MODELS	PER CAR	INDEX NO.	PART NO.	DESCRIPTION AND MODELS	PER CAR
BRAKE CYLINDER				BRAKE CYLINDER - Continued			
1.000	FLUID, Brake			1.012	CUP, Master cylinder piston		
	304690	Pint 20th Sr.	x		303026	2000-1-1A-3-4-5-6-7-8-10-11-20-1-3-55	1
	304315	Quart 20th Sr.	x		234865	2001A Amb.-2003A	1
	304316	Gallon 20th Sr.	x				
	304317	Five gallon 20th Sr.	x	1.014	PUSH ROD ASSEMBLY, Master cylinder piston		
1.0005	CYLINDER ASSEMBLY, Master				303010	20th Sr.	1
	373365	LHD 2000-1-10-11	1	1.015	CONNECTOR, Master cylinder piston push rod		
	354130	LHD 2001A-3-4-5-6-7-8-20-1-3-55	1		303009	20th Sr.	1
	354132	LHD (1-1/8) 2001A Amb.-2003A	1	1.016	SPRING AND RETAINER ASSEMBLY, Master cylinder piston return		
	378882	RHD 2000-1-10-11	1		303018	LHD 2000-1-1A-3-4-5-6-7-8-10-11-20-1-3-55 ...	1
	335671	RHD 2001A-20-1	1		234869	2001A Amb.-2003A	1
	335275	RHD (1-1/8 dia.) 2001A Amb.-2003A	1		378788	RHD 2000-1-10-11	1
	338054	RHD 2004-5-7-8-23-55	1		303018	RHD 2001A-4-5-7-8-20-1-3-55	1
	5506	(50.220) Lockwasher 3/8 20th Sr.	2	1.017	PISTON STOP, Master cylinder		
	5508	(50.220) Lockwasher 7/16 2000-1-3-6-10-11 ..	1		303005	2000-1-1A-3-4-5-6-7-8-10-11-20-1-3-55	1
	7006	(50.100) Nut 3/8-24 20th Sr.	1		234872	2001A Amb.-2003A	1
	7007	(50.100) Nut 7/16-20 2000-1-3-6-10-11	1	1.018	LOCKWIRE, Master cylinder piston stop		
	7891	Screw 3/8-24 x 2 3/8 20th Sr.	1		303006	2000-1-1A-3-4-5-6-7-8-10-11-20-1-3-55	1
	6689	(50.003) Screw 3/8-16 x 3/4 20th Sr.	1		234873	2001A Amb.-2003A	1
	7772	(50.003) Screw 7/16-20 x 2-1/2 2000-1-3-6-10-11	1	1.019	REPAIR KIT, Master cylinder		
1.001	CYLINDER, Master				333751	2000-1-1A-3-4-5-6-7-8-10-11-20-1-3-55	1
	354070	LHD 2000-1-1A-3-4-5-6-7-8-10-11-20-1-3-55 ...	1		242503	2001A Amb.-2003A	1
	354131	LHD 2001A Amb.-2003A	1	1.020	CUP, Master cylinder secondary		
	378756	RHD 2000-1-10-11	1		303002	2000-1-1A-3-4-5-6-7-8-10-11-20-1-3-55	1
	351867	RHD 2001A-20-1	1		234875	2001A Amb.-2003A	1
	351869	RHD 2001A Amb.-2003A	1	1.021	RING, Master cylinder secondary cup		
	351868	RHD 2004-5-7-8-23-55	1		311793	2000-1-1A-3-4-5-6-7-8-10-11-20-1-3-55	1
1.002	BOOT, Master cylinder				234876	2001A Amb.-2003A	1
	303007	20th Sr.	1	1.022	SHIELD, Master cylinder		
1.003	STRAP, Master cylinder boot				335897	RHD 2001A-20-1	1
	303004	(Large) 20th Sr.	1		354440	RHD 2001A Amb.-2003A-4-5-7-8-23-55	1
	303011	(Small) 20th Sr.	1	1.023	CYLINDER ASSEMBLY, Wheel		
1.004	VALVE ASSY. Master cylinder check				379636	Right Front 2000-10-20	1
	303025	2000-1-1A-3-4-5-6-7-8-10-11-20-1-3-55	1		302949	Right Front 2001-4-5-7-8-11-21-3-55	1
	234861	2001A Amb.-2003A	1		304881	Right Front 2001A-3-6	1
1.005	CUP, Master cylinder check valve				237024	Right Front 2001A Amb.-2003A	1
	303023	20th Sr.	1		302951	Right Rear (15/16" bore) 2000-1-3-4-5-6-7-8-10-11-20-1-3-55	1
1.006	RETAINER, Master cylinder check valve cup				304887	Right Rear (1" bore) 2000-1-1A-3-4-5-6-7-8-10-11-20-1-3-55	1
	303024	20th Sr.	1		237026	Right Rear 2001A Amb.-2003A	1
1.007	VALVE SEAT, Master cylinder check				379635	Left Front 2000-10-20	1
	351864	20th Sr.	1		302948	Left Front 2001-4-5-7-8-11-21-3-55	1
1.008	PLUG ASSEMBLY, Master cylinder filler				304880	Left Front 2001A-3-6	1
	351865	20th Sr.	1		237023	Left Front 2001A Amb.-2003A	1
	351866	Gasket	1		302950	Left Rear (15/16" bore) 2000-1-3-4-5-6-7-8-10-11-20-1-3-55	1
1.009	CYLINDER HEAD, Master				304886	Left Rear (1" bore) 2000-1-1A-3-4-5-6-7-8-10-11-20-1-3-55	1
	303020	2001-1A-3-4-5-6-7-8-11-20-1-3-55	1		237025	Left Rear 2001A Amb.-2003A	1
	234862	2001A Amb.-2003A	1	1.0231	CYLINDER (ONLY), Wheel		
	303021	(50.660) Gasket	-		302919	Right Front 2000-10-20	1
1.010	CONNECTION, Master cylinder outlet				302915	Right Front 2001-4-5-7-8-11-21-3-55	1
	373398	2000-1-10-11	1		304885	Right Front 2001A-3-6	1
	302702	LHD 2001A-3-4-5-6-7-8-20-1-3-55	1		237402	Right Front 2001A Amb.-2003A	1
	316858	RHD 2001A-4-5-7-8-20-1-3-55	1		302919	Right Rear (15/16" bore) 2000-1-3-4-5-6-7-8-10-11-20-1-3-55	1
	302700	Gasket (inner) 20th Sr.	1		304885	Right Rear (1" bore) 2000-1-1A-3-4-5-6-7-8-10-11-20-1-3-55	1
	302496	Gasket (outer) 20th Sr.	1		237404	Right Rear 2001A Amb.-2003A	1
1.0101	BOLT, Brake master cylinder outlet connection				302918	Left Front 2000-10-20	1
	373697	LHD 2000-1-10-11	1		302914	Left Front 2001-4-5-7-8-11-20-1-3-55	1
	302495	LHD 2001A-3-3A-4-5-6-7-8-20-1-3-55	1		304884	Left Front 2001A-3-6	1
	316861	RHD 20th Sr.	1		237403	Left Front 2001A Amb.-2003A	1
1.011	PISTON ASSY., Master cylinder				302918	Left Rear (15/16" bore) 20th Sr.	1
	303003	2000-1-1A-3-4-5-6-7-8-10-11-20-1-3-55	1		304884	Left Rear (1" bore) 20th Sr.	1
	234863	2001A Amb.-2003A	1		237405	Left Rear 2001A Amb.-2003A	1

BRAKE

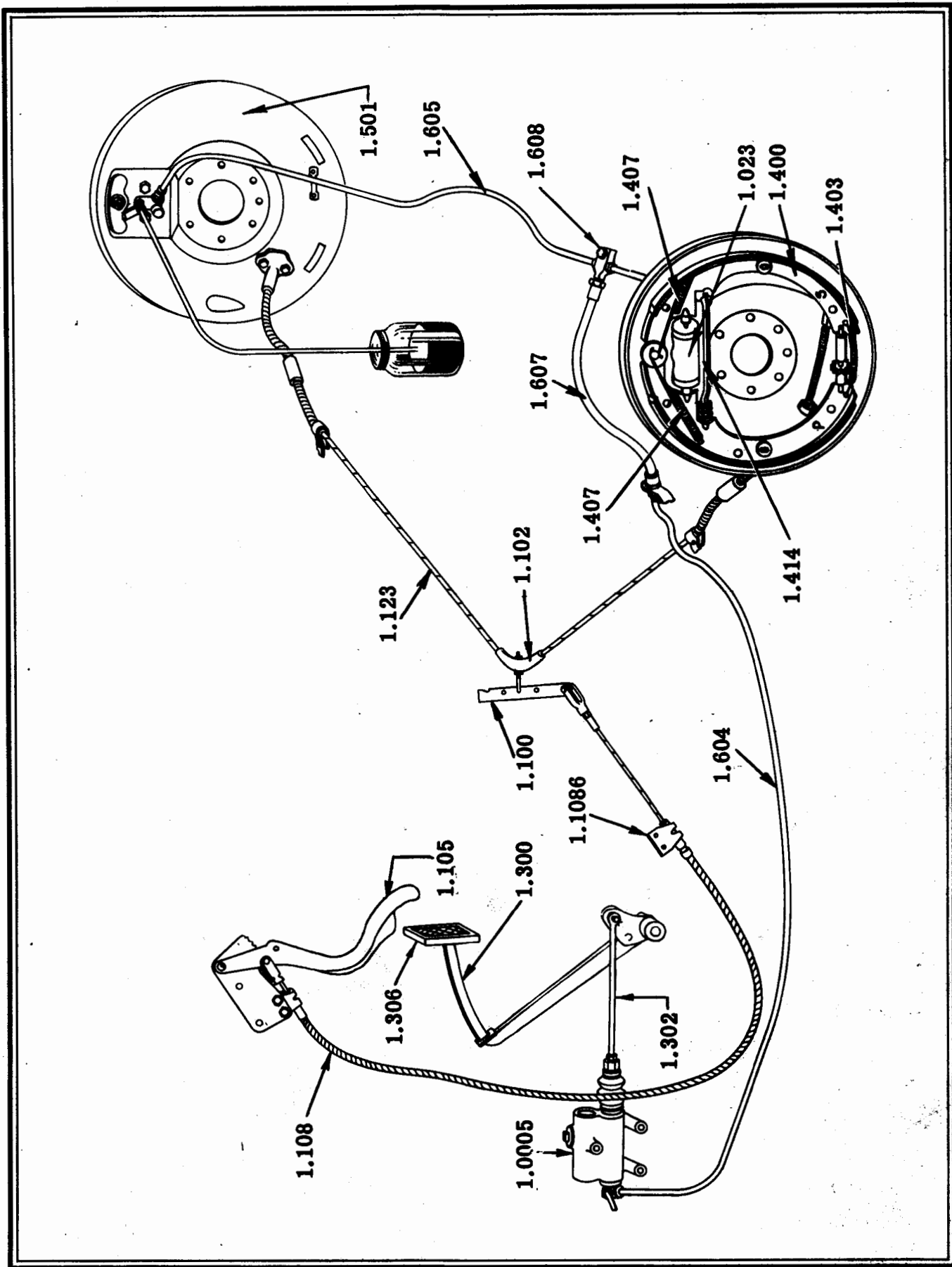
INDEX NO.	PART NO.	DESCRIPTION AND MODELS	PER CAR
BRAKE CYLINDER - Continued			
1.0232	SCREW,	Wheel cylinder bleeder	
302959	20th Sr.	4
5676	(50.000) Plug #10-32 x 5/8	4
5500	(50.220) Lockwasher 3/16	4
7146	(50.004) Port Screw 2001A Amb.-2003A	4
237407	(50.660) Gasket (port screw) 2001A Amb.-2003A	4
1.024	BOOT, Wheel cylinder		
302970	2000-1-1A-3-4-5-6-7-8-10-11-20-1-3-55	8
237408	Front 2001A Amb.-2003A	4
302970	Rear 2001A Amb.-2003A	4
1.026	CUP, Wheel cylinder		
302965	Front 2000-10-20	4
302964	Front 2001-4-5-7-8-11-21-3-55	4
304888	2001A-3-6	8
237410	Front 2001A Amb.-2003A	4
302965	Rear 2000-1-4-5-7-8-10-11-20-1-3-55	4
237413	Rear 2001A Amb.-2003A	4
1.027	SPRING, Wheel cylinder cup		
302969	Front 2000-1A-3-6-10-20	2
302968	Front 2001-4-5-7-8-11-21-3-55	2
237411	Front 2001A Amb.-2003A	2
302969	Rear 2000-1-1A-3-4-5-6-7-8-10-11-20-1-3-55	2
302968	Rear 2001A Amb.-2003A	2
1.028	PISTON, Wheel cylinder		
302967	Front 2000-10-20	4
302966	Front 2001-4-5-7-8-11-21-3-55	4
304890	Front 2001A-3-6	4
237412	Front 2001A Amb.-2003A	4
302967	Rear 2000-1-1A-3-4-5-6-7-8-10-11-20-1-3-55	4
237414	Rear 2001A Amb.-2003A	4
1.029	REPAIR KIT, Wheel cylinder		
333754	Front (15/16" bore) 2000-10-20	2
333753	Front (1-1/16" bore) 2001-4-5-7-8-11-21-3-55	2
333752	Front (1" bore) 2001A-3-6	2
242505	Front (1-1/4" bore) 2001A Amb.-2003A	2
333754	Rear (15/16" bore) 2000-1-3-4-5-6-7-8-10-11-20-1-3-55	2
333752	Rear (1" bore) 2000-1-1A-3-4-5-6-7-8-10-11-20-1-3-55	2
242504	Rear (1-1/8" bore) 2001A Amb.-2003A	2
1.030	CONNECTOR, Wheel cylinder tube		
302912	20th Sr.	2
302701	Gasket 20th Sr.	2

BRAKE-HAND

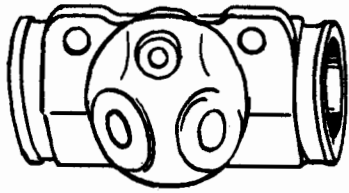
1.100	LEVER, Brake equalizer		
371032	2000-1-3-6-10-11	1
330869	2001A-3A-4-5-7-8-20-1-3-55	1
7822	(50.003) Bolt 3/8-24 x 1-1/2 2001A-3A-5-8-30-55	1
7841	(50.003) Bolt 3/8-24 x 1-1/4 2004-7-20-1-3	1
5506	(50.220) Lockwasher 3/8 2001A-3A-4-5-7-8-20-1-3-55	1
7006	(50.100) Nut 3/8-24 2001A-3A-4-5-7-8-20-1-3-55	1
6899	Spacer 2001A-3A-5-8-30-55	1
191995	Spring Washer 2001A-3A-4-5-7-8-20-1-3-55	1
304059	Washer 2001A-3A-4-5-7-8-20-1-3-55	1
1.101	BUSHING, Equalizer lever bolt		
232196	2001A-3A-4-5-7-8-20-1-3-55	1
1.1013	LINK, Brake equalizer lever		
373636	2000-1-3-6-10-11	1
7006	(50.100) Nut 3/8-24	2
1.102	PLATE, Equalizer		
373641	2000-1-3-6-10-11	1
316027	2001A-3A-4-5-7-8-20-1-3-55	1

INDEX NO.	PART NO.	DESCRIPTION AND MODELS	PER CAR
BRAKE-HAND-Continued			
1.103	SPRING, Equalizer retracting		
333475	2000-1-3-6-10-11	2
333475	2001A-3A-4-5-7-8-20-1-3-55	1
1.105	LEVER ASSEMBLY, Brake (Hand)		
379642	2000-1-1A-3-3A-4-5-10-11-55	1
379646	(Chrome plate) 2006-7-8	1
▲379908	(Painted) 2006	1
379645	(Black) 2020-1-3	1
379643	(Blue Gray) 2020-1-3	1
379644	(Green Gray) 2020-1-3-30	1
379642	(Tan) 2020-1-3	1
5506	(50.220) Lockwasher 3/8	2
7512	(50.003) Screw 3/8-24 x 1-1/8	2
379610	Spacer	1
126770	Washer 3/8 plain	1
1.108	CABLE ASSEMBLY, Lever		
371113	LHD 2000-1-3-6-10-11	1
351991	LHD 2001A-3A-4-5-7-8-20-1-3-55	1
379467	RHD 2000-1-10-11	1
351992	RHD 2001A-3A-4-5-7-8-20-1-3-55	1
1.1086	CLIP, Lever cable assembly		
324108	LHD Lower 20th Sr.	1
324108	Upper 20th Sr.	1
324217	RHD Lower 2001A-3A-4-5-7-8-20-1-3-55	1
213021	RHD Lower Rear 2001A-3A-4-5-7-8-20-1-3-55	1
5504	(50.220) Lockwasher 5/16	x
5506	(50.220) Lockwasher 3/8	x
7005	(50.100) Nut 5/16-24	x
7006	(50.100) Nut 3/8-24	x
7383	(50.003) Screw 5/16 - 24 x 1" 20th Sr.	x
7388	(50.003) Screw (Clamping) 3/8-24 x 1 2001A-3A-4-5-7-8-20-1-3-55	1
8094	(50.003) Screw 5/16-24 x 2 2000-1-3-6-10-11	2
7389	(50.003) Screw (lower) 3/8-24 x 1-1/4 2001A-3A-4-5-7-8-20-1-3-55	2
378725	Spacer Lower LHD 2000-1-3-6-10-11	2
338254	Spacer Lower RHD 2001A-3A-4-5-7-8-20-1-3-55	1
1.1087	BOOT, Lever cable		
362301	20th Sr.	1
1.1095	YOKE END, Lever Cable		
7515	2000-1-3-6-10-11	11
330697	LHD 2001A-3A-4-5-7-8-20-1-3-55	1
330970	RHD 2001A-3A-4-5-7-8-20-1-3-55	1
4290	(50.240) Cotter pin 3/32 x 5/8	1
7005	(50.100) Nut 5/16	1
330698	(50.555) Pin 5/16	1
1.118	PAWL, Lever		
358427	20th Sr.	1
1.119	LEVER, Lever release		
358426	20th Sr.	1
1.120	SPRING, Lever release lever		
354700	20th Sr.	1
1.121	SECTOR, Lever		
379666	20th Sr.	1
354701	(50.400) Rivet	1
354702	(50.400) Rivet	1
1.123	CABLE ASSEMBLY, Lever rear wheel		
367953	2000-1-3-6-10-11	1
333436	2001A-3A	2
341809	2004-7-30	2
333437	2005-8-55	2
333434	2020	2
351504	2021-3	2
1.1230	CLIP, Lever rear wheel cable (to frame)		
324609	2020-1-3	2
7379	(50.003) Bolt 5/16-24 x 5/8	4

Used on Clipper Four Door Sedans built after Jan. 1, 1962 only. All other body types have chrome trim. 4



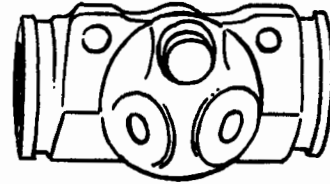
BRAKE SYSTEM



1.0231



1.027



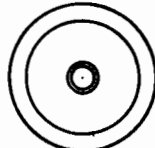
1.0231



1.0232



1.028



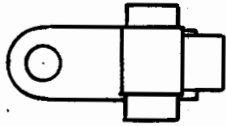
1.024



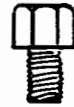
1.026



1.611



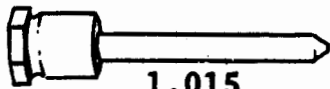
1.606



1.030



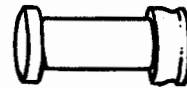
1.608



1.015



1.016



1.011



1.005



1.018



1.007



1.020



1.009



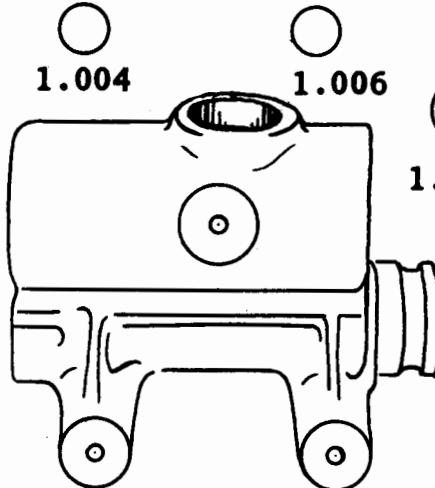
1.0101



1.002



1.017



1.001

1.004

1.006

1.012

1.003

1.003

1.010

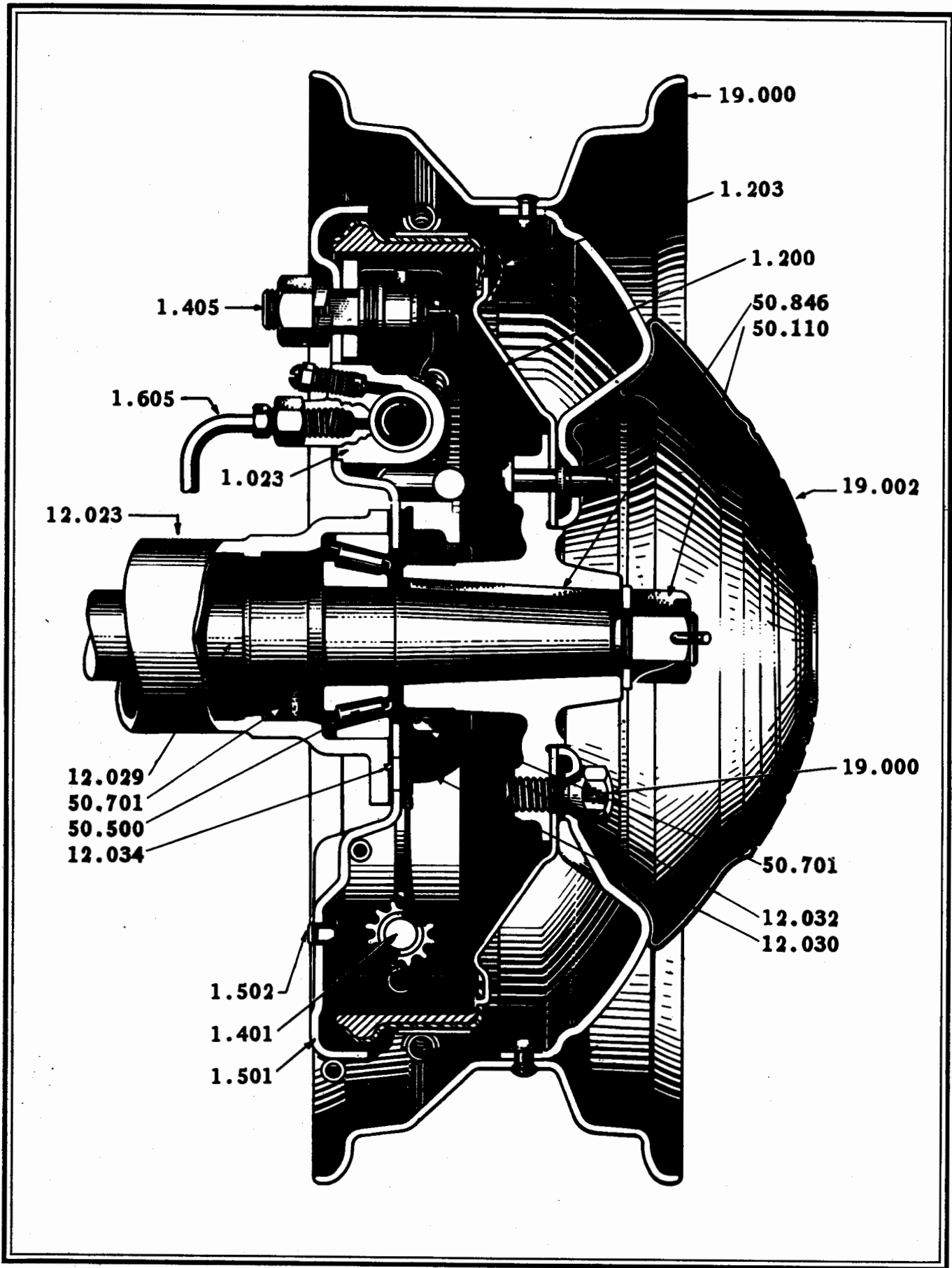
1.008

BRAKE MASTER CYLINDER AND WHEEL CYLINDER PARTS

BRAKE

1.1230 - 1.411

INDEX NO.	PART NO.	DESCRIPTION AND MODELS	PER CAR	INDEX NO.	PART NO.	DESCRIPTION AND MODELS	PER CAR
BRAKE—HAND—Continued				BRAKE PEDAL—Continued			
1.1230	CLIP, Lever rear wheel cable (to frame)(Cont'd)			1.303	PIN, Pedal (to master cylinder) connecting rod		
	5504 (50.220) Lockwasher 5/16		4	324464	RHD 2001A-3A-4-5-7-8-20-1-3-55		1
	7005 (50.100) Nut 5/16		4	4305	(50.240) Cotter pin 1/8 x 7/8		1
1.1231	CLIP, Lever rear wheel cable to support plate			190191	Spring washer		1
	373355 2000-1-3-6-10-11		2	3877	(50.200) Washer 3/8		1
	324102 2001A-3A-4-5-7-8-10-11-30-55		2	1.304	PAD ASSEMBLY, Pedal		
	348020 Right 2020-1-3		1	335927	LHD 2000-1-3-6-10-11		1
	348021 Left 2020-1-3		1	335928	LHD 2001A-20-1		1
	5504 (50.220) Lockwasher 5/16		4	338270	LHD 2003A-4-5-7-8-23-55		1
	7379 (50.003) Screw 5/16-24 x 5/8		4	335928	RHD 2000-1-10-11		1
1.125	BRACKET, Lever rear wheel cable (to frame X member)			240486	RHD 2001A-3A-4-5-7-8-20-1-3-55		1
	333914 Right 2001A-3A-4-5-7-8-30-55		1	1.305	SPRING, Pedal retracting		
	333913 Left 2001A-3A-4-5-7-8-30-55		1	371101	2000-1-3-6-10-11		1
	7809 (50.003) Bolt 5/16-24 x 7/8		4	324092	2001A-3A-4-5-7-8-20-1-3-55		1
	7383 (50.003) Bolt 5/16-24 x 1		2	1.306	RUBBER SET, Brake & clutch pedal		
	5504 (50.220) Lockwasher 5/16		x	98766	(Super 169182) 20th Sr.		1
	7005 (50.100) Nut 5/16		x	1.3065	SHAFT, Brake pedal		
1.127	FELT, Lever rear wheel cable clip (to support plate)			378438	RHD 2000-1-10-11		1
	302944 20th Sr.		2	216549	Connector (lubricator)		1
1.132	YOKE END, Lever rear wheel cable			5502	(50.220) Lockwasher 1/4		1
	333891 2001A-3A-4-5-7-8-20-1-3-55		2	7766	(50.003) Screw 1/4-20 x 5/8		1
	4290 (50.240) Cotter pin 3/32 x 5/8		2	BRAKE SHOES			
	7005 (50.100) Nut 5/16-24		2	1.400	SHOE SET, Brake (shoe and lining)		
	6198 Pin 5/16		2	351209	Front (2 wheel) 2000-10-20		1
BRAKE WHEEL HUB AND DRUM				351211	Front (2 wheel) 2003-6		1
1.200	BRAKE DRUM AND HUB ASSEMBLY			367580	Front (2 wheel) 2030		1
	377231 Front 2000-1-10-11		2	351210	Rear (2 wheel) 2000-10-20		1
	316491 Front 2001A-4-5-7-8-55		2	351651	Rear (2 wheel) 2003-6		1
	234734 Front 2001A Amb.		2	379211	Rear (2 wheel) 2030		1
	378493 Front 2003-6		2	351209	Front or rear (2 wheel) 2001-11-21		2
	234734 Front 2003A		2	351211	Front or rear (2 wheel) 2001A-4-5-7-8-55		2
	341981 Front 2020-1		2	354063	Front or rear (2 wheel) 2001A-Amb.-2003A		2
	351422 Front 2023		2	351651	Front or rear (2 wheel) 2023		2
	373949 Rear 2000-10-20		2	1.401	SCREW, Shoe adjusting		
	378455 Rear 2001-11		2	303051	20th Sr.		4
	316492 Rear 2001A-5-8-30-55		2	303052	Pivot Nut 20th Sr.		4
	333200 Rear 2001A Amb.		2	1.402	SOCKET, Shoe adjusting screw		
	351423 Rear 2003-6-23		2	303053	20th Sr.		4
	333200 Rear 2003A		2	1.403	SPRING, Shoe adjusting screw		
	333931 Rear 2004-7		2	303063	20th Sr.		4
	341982 Rear 2021		2	1.405	PIN, Shoe anchor		
1.201	SPRING, Drum dampener			335597	2000-1-10-11-20-1		2
	234839 2001A-3A-4-5-7-8-55		4	338259	2001A-3-4-5-6-7-8-23-55		4
	234839 Rear 2030		2	303065	(50.220) Lockwasher		4
1.203	COVER, Drum inspection hole			7010	(50.100) Nut 5/8-18 hex		4
	304815 20th Sr.		4	1.406	PLATE, Shoe anchor pin guide		
BRAKE PEDAL				335504	20th Sr.		4
1.300	PEDAL, Brake			1.407	SPRING, Shoe anchor pin (to shoe)		
	371005 LHD 2000-1-3-6-10-11		1	303836	(Secondary) 20th Sr.		4
	341773 LHD 2001A-3A-4-5-7-8-20-1-3-55		1	303837	(Primary) 20th Sr.		4
	378457 RHD 2000-1-10-11		1	1.408	ECCENTRIC ASSEMBLY, Shoe		
	324461 RHD 2001A-3A-4-5-7-8-20-1-3-55		1	202699	2001A-3-4-5-6-7-8-55		4
1.301	BOOT, Pedal			1.409	SPRING, Shoe hold down		
	300915 20th Sr.		1	303064	2000-1-10-11-21		8
1.302	CONNECTING ROD, Pedal (to master cylinder)			237893	2001A-3-4-5-6-7-8-20-3-55		8
	367875 LHD 2000-1-3-6-10-11		1	1.410	CUP, Shoe hold down spring		
	341055 (Not used on RHD-2020) 2001A-3A-4-5-7-8-20-1-3-55		1	202721	(Inner) 20th Sr.		8
	378460 RHD 2000-1-10-11		1	202747	(Outer) 20th Sr.		8
	341056 RHD 2020		1	1.411	PIN, Shoe hold down spring		
	7007 (50.100) Lock Nut 7/16 - 20		1	302717	2000-1-10-11-21		8
				302720	2001A-4-5-7-8-20-3-55		8
				237891	2003-6		8



BRAKE SUPPORT PARTS

BRAKE

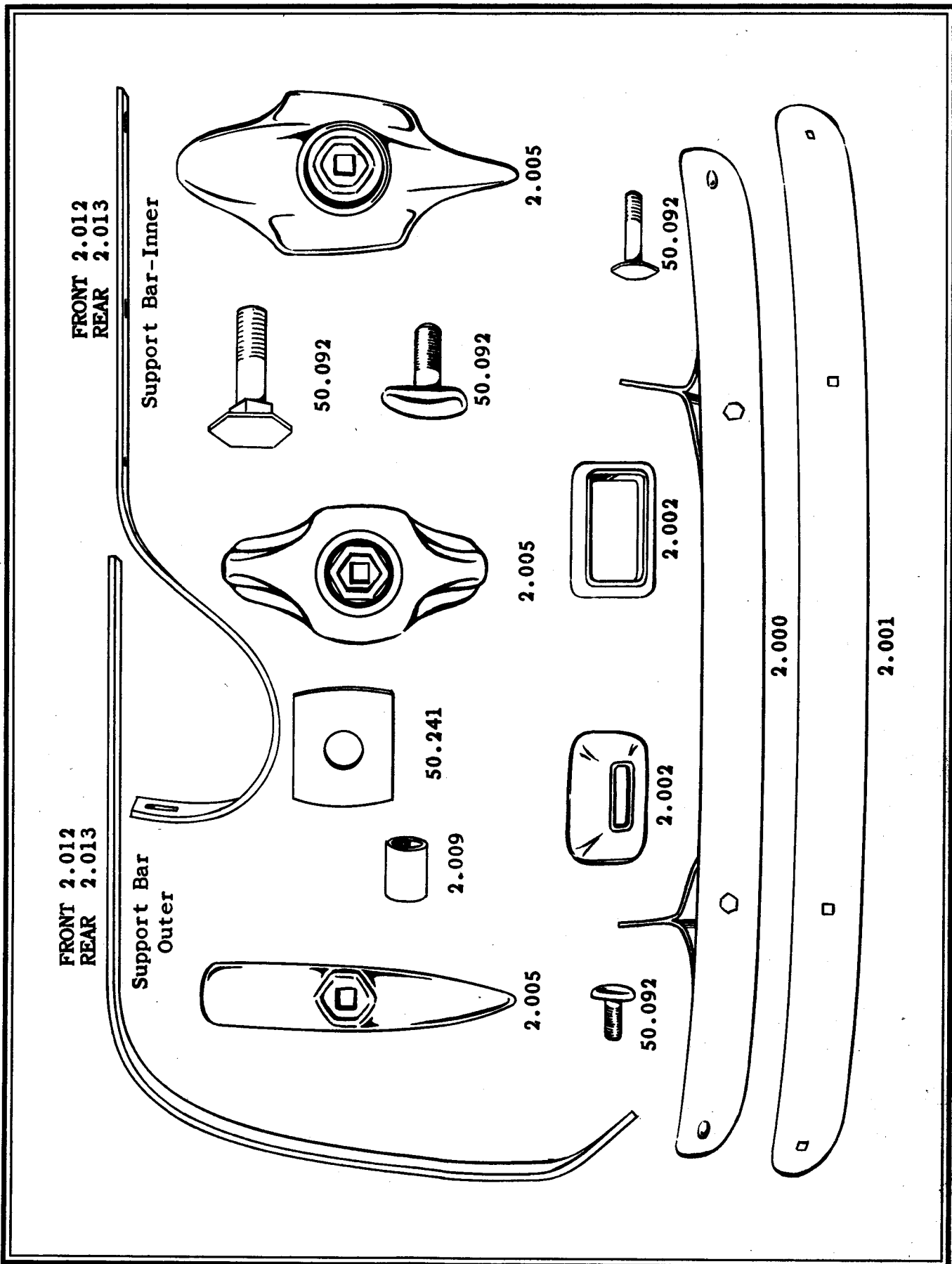
1.412 - 1.6056

INDEX NO.	PART NO.	DESCRIPTION AND MODELS	PER CAR	INDEX NO.	PART NO.	DESCRIPTION AND MODELS	PER CAR
BRAKE SHOES—Continued				BRAKE SUPPORT PLATE—Continued			
1.412		LINING SET, Brake		1.502		COVER, Support plate adjusting hole	
	338371	Front (2 wheel) 2000-10-20	1		202719	20th Sr.	4
	338410	Front (2 wheel) 2003-6	1	1.5035		SEAL, Support plate water	
	367582	Front (2 wheel) 2030	1		234729	2001A Amb.-2003A	4
	338370	Rear (2 wheel) 2000-10-20	1		316187	2001A-4-5-7-8-55	4
	351650	Rear (2 wheel) 2003-6	1		316187	Front 2003-6	2
	379212	Rear (2 wheel) 2030	1		316187	Rear 2030	2
	338371	Front or Rear (2 wheel) 2001-11-21	2	1.504		SPRING, Support plate water seal	
	338410	Front or Rear (2 wheel) 2001A-4-5-7-8-55	2		316188	2001A-3A-4-5-7-8-55	4
	239142	Front or Rear (2 wheel) 2001 Amb.-2003A	2		316188	Front 2003-6	2
	351650	Front or Rear (2 wheel) 2023	2		316188	Rear 2030	2
1.413		SPRING, Shoe		BRAKE TUBING			
	304879	2001A-4-5-7-8-55	4	1.600		TUBE ASSEMBLY, Brake (front cross tube)	
1.414		STRUT, Shoe			324152	RHD 2001A-20-1	1
	303058	2001A-4-5-7-8-55	2		362086	RHD 2003A-4-5-7-8-23-55	1
	237878	2003-6	1	1.601		TUBE ASSEMBLY, (Front end junction to brake hose)	
	303060	(50.241) Washer	2		324150	LHD (8") 2001A-3A-4-5-7-8-20-1-3-55	1
1.4155		PIN, Shoe strut lever			348911	LHD (43-13/16") 2001A-20-1	1
	335440	2001-11-21	2		362087	LHD (46-1/8") 2003A-4-5-7-8-23-55	1
	237899	2001A-3-4-5-6-7-8-55	2		373828	LHD Right 2003-6	1
	351479	2023	2		373359	LHD Left 2003-6	1
	237895	(50.242) Spring washer	2		324150	RHD 2001A-3A-4-5-7-8-20-1-3-55	2
1.416		SPRING, Shoe strut		1.602		TUBE ASSEMBLY (Front end junction to rear axle junction)	
	335580	(to shoe) 2001-1A-11	2		358173	RHD 2001A-3A	1
	302729	(to lever) 2001A-3-4-5-6-7-8-55	2		358174	RHD 2004-7	1
	303061	2004-5-7-8-55	2		358175	RHD 2005-8-55	1
BRAKE SUPPORT PLATE					351058	RHD 2020	1
1.500		PLATE ASSEMBLY, Brake support (front)			351057	RHD 2021-3	1
	371069	2000-1-10-11	2	1.6025		TUBE ASSEMBLY, (Master cylinder to front brake hose)	
	378721	2003-6	2		373827	LHD Right 2000-1-10-11	1
	348023	2020-1	2		367963	LHD Left 2000-1-10-11	1
	351480	2023	2	1.603		TUBE ASSEMBLY, (Master cylinder to front end junction)	
	316486	Right 2001A-4-5-7-55	1		324155	LHD 2001A-3A-4-5-7-8-21-3-55	1
	316485	Left 2001A-4-5-7-55	1		367967	LHD 2003-6	1
	237711	Right 2001A-3A Amb.	1		324153	LHD 2020	1
	237710	Left 2001A-3A Amb.	1		324156	RHD 2001A-3A-4-5-7-8-21-3-55	1
	4291	(50.240) Cotter pin 3/32 x 3/4 20th Sr.	8		324154	RHD 2020	1
	5510	Lockwasher 1/2 std. 2001A Amb.-2003A	2	1.604		TUBE ASSEMBLY (Master cylinder to rear axle junction)	
	7107	(50.110) Nut 7/16-20 20th Sr.	8		367968	LHD 2000-1-3-6-10-11	1
	7108	Nut 1/2-20 2001A Amb.-2003A	4		358177	LHD 2001A-3A	1
	373855	Screw (Lower) 2000-1-3-6-10-11	2		358176	LHD 2004-7-30	1
	371078	Screw (Upper) 2000-1-3-6-10-11	4		358178	LHD 2005-8-55	1
	302075	Screw (Intermediate) 2001A-4-5-7-8-20-1-3-55	2		348908	LHD 2020-1-3	1
	234577	Screw (Intermediate) 2001A Amb.	2	1.605		TUBE ASSEMBLY, (Rear axle junction to rear wheel)	
	315760	Screw (Long) 2001A-4-5-7-8-20-1-3-55	2		377228	Right 2000-1-10-11	1
	234579	Screw (Long) 2001A Amb.	2		324146	Right 2001A-3A-5-8-55	1
	302077	Screw (Short) 2001A-3A-4-5-7-8-20-1-3-55	4		377205	Right 2003-6	1
	234577	Screw (Intermediate) 2003A	2		319993	Right 2004-7-21-3-30	1
	234579	Screw (Long) 2003A	2		347132	Right 2020	1
	373755	Stop screw 2000-1-3-6	2		347131	Left 2000-1-3-4-6-7-10-11-20-1-3	1
	3883	(50.200) Washer 7/16 Plain 2000-1-3	x		333688	Left 2001A-3A-5-8-55	1
1.501		PLATE ASSEMBLY, Brake support (rear)		1.6054		CLIP, Tube	
	347087	Right 2000-10-20	1		302134	(To front channel) 20th Sr.	2
	378653	Right 2001-11	1		302134	(To frame side) 2000-1-3-6-10-11	4
	316600	Right 2001A-5-8-55	1	1.6056		CLIP, Tube (and wiring harness)	
	333942	Right 2001A-3A Amb.-2004-7-30	1		320296	(1/4 double) 2001A-3A-4-5-7-8-20-1-3-55	3
	351482	Right 2003-6-23	1		320297	(1/4 x 3/8 double) 2001A-3A-4-5-7-8-20-1-3-55	1
	348025	Right 2021	1				
	347086	Left 2000-10-20	1				
	378652	Left 2001-11	1				
	316601	Left 2001A-5-8-55	1				
	333941	Left 2001A-3A Amb.-2004-7-30	1				
	351481	Left 2003-6-23	1				
	348024	Left 2021	1				
	5506	(50.220) Lockwasher 3/8	x				
	7006	(50.100) Nut 3/8-24	x				
	7853	Screw 3/8-24 x 1-1/8	x				

BRAKE AND BUMPER

INDEX NO.	PART NO.	DESCRIPTION AND MODELS	PER CAR	INDEX NO.	PART NO.	DESCRIPTION AND MODELS	PER CAR
BRAKE TUBING—Continued				BUMPER			
1.606		JUNCTION ASSEMBLY, Tubes front end		2.000		BUMPER ASSEMBLY, Front	
	302703	LHD 2001A-3-3A-4-5-6-7-8-20-1-3-55	1	378926		Front (Polished chrome) 2000-1-3-6-10-11	1
	302703	RHD 2001A-3-3A-4-5-6-7-8-20-1-3-55	2	382101		Front (Chrome-not polished) 2000-1-3-6-10-11	1
	304711	Screw 5/16-18 x 1/2	x	362850		Front 2001A-3A	1
1.607		HOSE ASSEMBLY, Tubes		362835		Front 2004-5-23-55	1
	315829	20th Sr.	3	362157		Front 2007-8	1
1.6075		GASKET, Tube hose assembly (front)		356832		Front 2020	1
	302701	20th Sr.	2	†362231		Front (Does not have bumper guard bar (tube) 2021	1
	216724	Clip	3	‡362850		Front (Has bumper guard bar (tube) 2021	1
1.608		JUNCTION, Tubes rear axle		367328		Front 2030	1
	302501	20th Sr.	1	373483		Bolt (Chrome polished) (Impact bar to outer support bar) 2000-1-3-6-10-11	2
1.609		VENT SCREW, Tube rear axle junction		382187		Bolt (Chrome not polished) (Impact bar to outer support bar) 2000-1-3-6-10-11	2
	330801	7/16-20 x 7/8 20th Sr.	1	‡341884		Bolt (Impact bar to outer support bar) 20001A-3A-4-5-7-8-21-3-55	2
	5806	(50.230) Lockwasher 7/16 internal	1	†341899		Bolt 1/2-20 x 1-1/8 (Impact bar to outer support bar) 2020-1	2
1.610		CAP, Tube rear axle junction vent screw		7156		(50.120) Nut 1/2-20 20th Sr.	x
	330802	20th Sr.	1	303591		Screw 1/2-20 x 1-1/2 (to frame) 20th Sr.	4
1.611		UNION NUT, Tubes		221981		Washer 20th Sr.	2
	302492	20th Sr.	12	7322		(50.000) Washer 1/2 2000-1-3-6-10-11	2
				7329		(50.200) Washer 1/2 2000-1-3-6-10-11	2
				2.0005		BUMPER ASSEMBLY, Rear	
				378934		Rear (chrome polished) 2000-1-3-6-10-11	1
				382102		Rear (chrome not polished) 2000-1-3-6-10-11	1
				362156		Rear 2001A-3A-4-5-7-8-23-55	1
				‡362156		Rear (Has bumper guard bar (tube) 2021	1
				†356833		Rear (Does not have bumper guard bar (tube) 2020-1	1
				367024		Rear 2030	1
				382187		Bolt (Chrome not polished) (Impact bar to outer support bar) 2000-1-3-6-10-11	2
				373483		Bolt (Chrome polished) (Impact bar to outer support bar) 2000-1-3-6-10-11	2
				‡341884		Bolt (Impact bar to support bars) 2001A-3A-4-5-7-8-21-3-55	4
				†341899		Bolt 1/2-20 x 1-1/8 (Impact bar to support bars) 2020-1	4
				7156		(50.120) Nut 1/2-20 20th Sr.	x
				6135		(50.003) Screw 1/2-20 x 1-1/4 hex. hd. (to frame) 20th Sr.	x
				7329		(50.200) Washer 1/2 x 1-1/16" 20th Sr.	x
				7322		(50.200) Washer 1/2" x 1-3/8" 20th Sr.	x
				2.0015		BOLT, Bar (front) hole cover	
				364724		2030	3
				341899		1/2 - 20 x 1 - 1/8 2055	6
				6359		Lockwasher 5/16 2030	3
				7163		Nut 5/16 - 18 2030	3
				2.001		BAR, Bumper	
				371280		Front (Polished chrome) 2000-1-3-6-10-11	1
				382108		Front (Chrome not polished) 2000-1-3-6-10-11	1
				‡362177		Front 2001A-3A-4-5-7-8-21-3-55	1
				†356834		Front 2020-1	1
				378944		Rear (Polished chrome) 2000-1-3-6-10-11	1
				382109		Rear (Chrome not polished) 2000-1-3-6-10-11	1
				‡362178		Rear 2001A-3A-4-5-7-8-21-3-55	1
				†358129		Rear 2020-1	1
				2.002		GROMMET, Bumper	
				356852		Front 2001A-3A-4-5-7-8-20-1-3-55	2
				‡356852		Rear 2001A-3A-21	2
				2.0045		GUARDS & BARS ASSEMBLY, Bumper front	
				358822		(Auxiliary) 2030	1
				2.0050		GUARD, Bumper	
				373584		(Front) (Chrome polished) 2000-1-3-6-10-11	2
				382103		(Front) (Chrome not polished) 2000-1-3-6-10-11	2
				378933		(Rear) (Chrome polished) 2000-1-3-6-10-11	2

†Use with type which does not have bumper guard bar (tube). 10
 ‡Two types of bumper assemblies were used on model 2021 -
 Use with type having bumper guard bar (tube).



FRONT 2.012
REAR 2.013

Support Bar
Outer

FRONT 2.012
REAR 2.013

Support Bar-Inner

2.005

2.005

2.005

50.092

50.092

2.009

50.241

50.092

2.002

2.002

50.092

2.000

2.001

FRONT AND REAR BUMPER PARTS

BUMPER

INDEX NO.	PART NO.	DESCRIPTION AND MODELS	PER CAR
BUMPER—Continued			
2.0050	GUARD, Bumper (Cont'd)		
	382104 (Rear) (Chrome not polished) 2000-1-3-6-10-11		2
†362148	(Front Right & Rear Left) 2001A-3A-4-5-7-8-21-3-55		2
†362146	(Front Left & Rear Right) 2001A-3A-4-5-7-8-21-3-55		2
†356836	2020-1		4
358823	Front (Auxiliary) 2030		2
†358215	Bolt 2001A-3A-4-5-7-8-21-3-55		4
	7156 (50.120) Nut 1/2-20 20th Sr.		x
	5506 Lockwasher (For Aux. guard) 2030		4
	7306 Nut (For aux. guard) 2030		4
	7329 (50.200) Washer (Stud) (front guard) 2000-1-3-6-10-11		12
	304962 Washer 1/2 20th Sr.		x
2.006	BAR, Guard		
†358208	(Front - tubing) 2001A-3A-21		1
362836	(Front tubing) 2004-5-23-55		1
358192	(Front tubing) 2007-8		1
358824	(Front - auxiliary) 2030		3
†358208	(Rear tubing) 2001A-3A-4-5-7-8-21-3-55		1
	6902 (50.120) Nut 3/8-24		4
	358209 Stud		4
	114055 Washer		4
2.007	CLAMP, (front) guard bar		
	351376 2030		2
2.008	PLATE, Guard bar cover		
	†362172 2001A-3A-4-5-7-8-21-3-55		4
2.009	SPACER, Guard		
	371537 (Front to bumper) 2000-1-3-6-10-11		2
	378986 (Rear to bumper) 2000-1-3-6-10-11		2
†367109	2020-1		x
	†7329 (50.200) Washer 1/2 2000-1-1A-3-3A-4-5-7-8-10-11-21-55		x
†304962	Washer 2020-1		2
2.0095	MEDALLION, Bumper (front)		
	356840 2020		1
†362232	2021		1
	358712 Bolt 1/2-20 x 1-1/4 2020		1
†362285	Bolt 1/2-20 x 1-1/2 2021		1
	†7156 (50.120) Nut 1/2-20		1
†304962	Washer 1/2		1
2.0096	SPACER, (Front) medallion to bumper		
	†340063 2021		1
2.0097	REINFORCEMENT, Bumper		
	367327 Front 2030		1
	367299 Rear 2030		1
2.0113	SHIELD ASSEMBLY, Bumper (rear) stone		
	378968 2000-1-3-6-10-11		1
	356367 2004-5-7-8-20-1-3-55		1
	367026 2030		1
	356829 Bolt 1/2-20 2001A-3A-4-5-7-8-20-1-3-55		1
	5502 (50.220) Lockwasher 2000-1-3-6-10-11		2
	7004 (50.100) Nut 1/4-28 2000-1-3-6-10-11		2
	7156 (50.120) Nut 1/2-20 2001A-3A-4-5-7-8-20-1-3-55		1
	371590 Screw #14 x 3/4 tapping 2000-1-3-6-10-11		9
	7249 (50.003) Screw 1/4-28 2000-1-3-6-10-11		2
	371421 Speed Nut #14 2000-1-3-6-10-11		9
	7319 (50.200) Washer 1/4 2000-1-3-6-10-11		13
	7329 (50.200) Washer 1/2 2001A-3A-4-5-7-8-20-1-3-55		1
2.0115	SHIELD ASSEMBLY, Bumper (front stone)		
	378966 2000-1-3-6-10-11		1
	373169 Right 2001A-3A-4-5-7-8-20-1-3-55		1
	373168 Left 2001A-3A-4-5-7-8-20-1-3-55		1
	371666 Spacer (Rubber)		2

INDEX NO.	PART NO.	DESCRIPTION AND MODELS	PER CAR
BUMPER—Continued			
2.01153	ANTI-RATTLER, Bumper stone shield		
	373459 Front 2001A-3A-4-5-7-8-20-1-3-55		2
2.0116	SPRING, (Rear) stone shield outer bracket		
	356822 2004-5-7-8-20-1-3-55		2
2.0117	CLIP, (Rear) stone shield (to fender)		
	362254 2004-5-7-8-20-1-3-55		2
2.0118	LINER, Bumper stone shield		
	373515 (Front to fender) 2000-1-3-6-10-11		2
	371504 (Rear to body) 2000-1-3-6-10-11		2
2.0119	SEAL, Bumper (rear) stone shield		
	371477 (to bumper) 2000-1-3-6-10-11		1
	356825 (Side) 2004-5-7-8-20-1-3-55		2
	356824 (Upper) 2004-5-7-8-20-1-3-55		1
2.012	BAR, Support (front)		
	378930 Inner Right 2000-1-3-6-10-11		1
	†362176 Inner Right 2001A-3A-4-5-7-8-21-3-55		1
	†362041 Inner Right 2020-1		1
	362041 Inner Right 2030		1
	378931 Inner Left 2000-1-3-6-10-11		1
	†362175 Inner Left 2001A-3A-4-5-7-8-21-3-55		1
	†356843 Inner Left 2020-1		1
	356843 Inner Left 2030		1
	378932 Outer Right 2000-1-3-6-10-11		1
	†362042 Outer Right 2001A-3A-4-5-7-8-21-3-55		1
	†362042 Outer Right 2020-1		1
	362042 Outer Right 2030		1
	378929 Outer Left 2000-1-3-6-10-11		1
	†356844 Outer Left 2001A-3A-4-5-7-8-21-3-55		1
	†356844 Outer Left 2020-1		1
	356844 Outer Left 2030		1
	†324197 Rivet 2000-1-3-6-10-11-20-1-3		2
2.013	BAR, Support (rear)		
	378939 Inner Right 2000-1-3-6-10-11		1
	356848 Inner Right 2001A-3A-4-5-7-8-20-1-3-55		1
	367323 Inner Right 2030		1
	378938 Inner Left 2000-1-3-6-10-11		1
	356847 Inner Left 2001A-3A-4-5-7-8-20-1-3-55		1
	367322 Inner Left 2030		1
	378937 Outer Right 2000-1-3-6-10-11		1
	356851 Outer Right 2001A-3A-4-5-7-8-20-1-3-55		1
	356851 Outer Right 2030		1
	378936 Outer Left 2000-1-3-6-10-11		1
	356849 Outer Left 2001A-3A-4-5-7-8-20-1-3-55		1
	356849 Outer Left 2030		1
	371278 Rivet 2000-1-3-6-10-11		2
	324197 Rivet 2001A-3A-4-5-7-8-20-1-3		2
2.014	BRACKET ASSEMBLY, License plate (front)		
	373463 Lower 2000-1-3-6-10-11		1
	373492 Upper 2000-1-3-6-10-11		1
	373329 2001A-3A-4-5-7-8-20-1-3		1
2.016	PLATE, Bracket adjusting		
	341156 2001A-3A-4-5-7-8-20-1-3		1
2.017	SCREW, Bracket adjusting plate		
	7275 (50.003) 1/4-28 x 1 2000-1-3-6-10-11		1
	5502 (50.220) Lockwasher 1/4		1
	6668 Nut 1/4-28		1
	373460 Spacer		1

†Use with type which does not have bumper guard bar (tube).12
 †Two types of bumper assemblies were used on model 2021 -
 Use with type having bumper guard bar (tube).

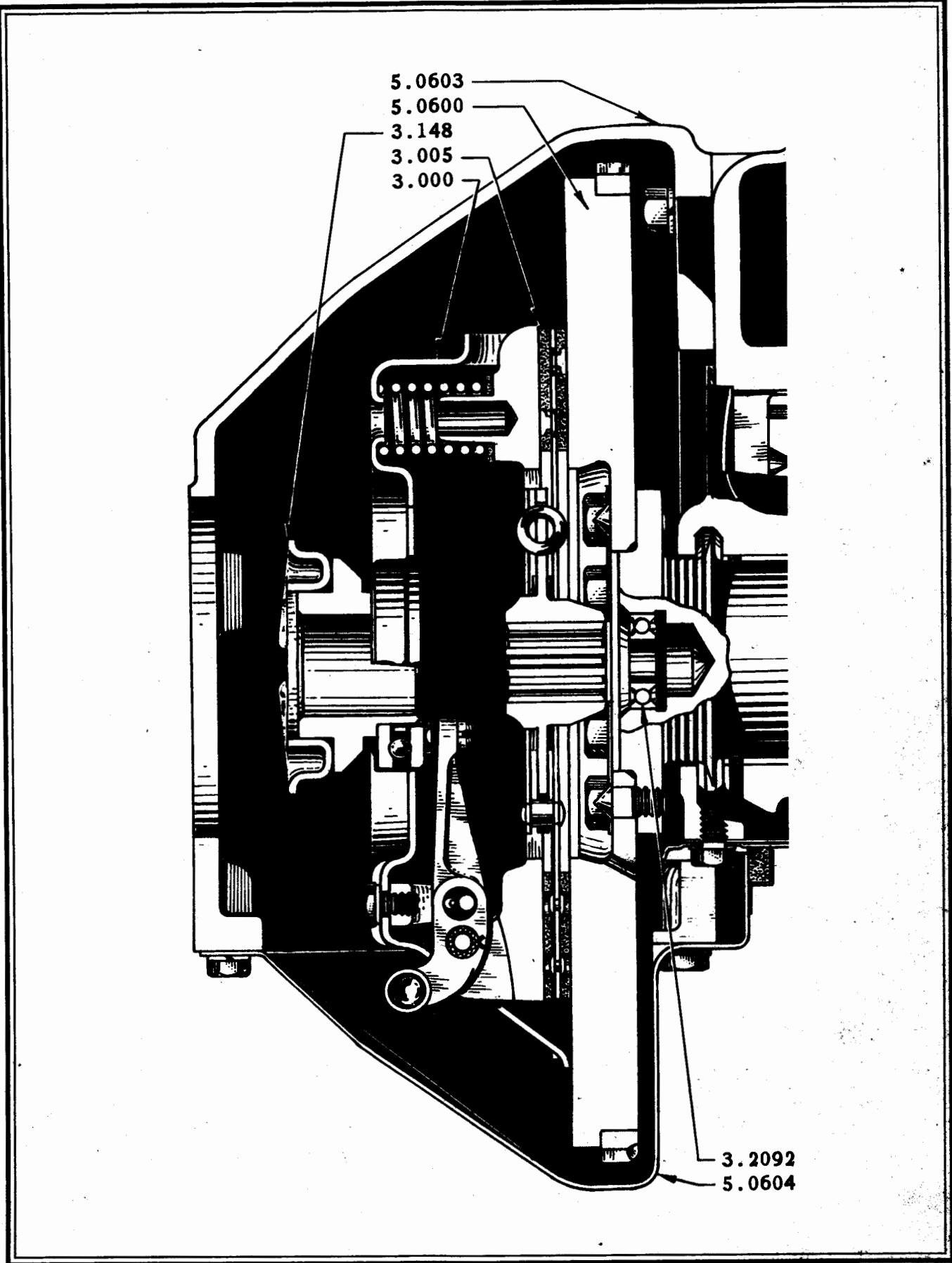
INDEX NO.	PART NO.	DESCRIPTION AND MODELS	PER CAR	INDEX NO.	PART NO.	DESCRIPTION AND MODELS	PER CAR
CLUTCH ASSEMBLY				CLUTCH ASSEMBLY—Continued			
3.000	PLATE ASSEMBLY, Clutch cover			3.014	LEVER, Release		
	315571	2000-10-20	1		*302627	2000-10-20	3
	*302464	2000-10-20	1		317854	2000-10-20	3
	302464	2001-1A-11-21	1		302627	2001-1A-3-3A-4-5-6-7-8-11-21-23-30-55	3
	324926	2001A Amb.	1		*303468	Adj. screw 2000-10-20	3
	371462	2003-3A-4-5-6-7-8-23-55	1		316159	Adj. screw 2000-10-20	3
	371782	2030	1		303468	Adj. screw 2001-1A-3-3A-4-5-6-7-8-11-21-23-30-55	3
	5504	Lockwasher 5/16 20th Sr.	6				
	302440	Screw 5/16-18 x 1 hex. hd. 20th Sr.	6				
3.001	PLATE, (Only), Cover			3.015	PIN, Release lever		
	*303509	2000-10-20	1		303505	(Long) 2000-1-1A-10-11-20-1	3
	371845	2000-10-20	1		338231	(Long) 2003-3A-4-5-6-7-8-23-30-55	3
	303509	2001-1A-11-21	1		303503	(Short) 2000-1-1A-3-3A-4-5-6-7-8-10-11-20-1-23-30-55	3
	304988	2003-3A-4-5-6-7-8-23-30-55	1		324619	(50.240) Cotter pin 3/32 x 1	3
	5504	Lockwasher	6		4290	(50.240) Cotter pin 3/32 x 5/8	3
3.005	PLATE & HUB ASSEMBLY, Driven			3.016	ROLLER, Release lever		
	#354195	(Not used with electromatic clutch) 2000-10-20	1		303467	20th Sr.	57
	*373686	(Not used with econodrive) 2000-10-20	1	3.018	YOKE, Release lever		
	*373687	(Use with econodrive) 2000-10-20	1		302629	20th Sr.	3
	371309	(Not used with electromatic clutch or econodrive) 2000-10-20	1		303504	Screw	3
	373686	2001-1A-11-21	1	3.019	ROLLER, RELEASE LEVER YOKE		
	#373687	2001-1A-11-21	1		303500	20th Sr.	3
	378778	2001A Amb.	1	CLUTCH CONTROL			
	351829	2003-3A-4-5-6-7-8-23-55	1	3.100	FULCRUM, Booster pedal		
	356935	2030	1		373856	LHD 2003-6	1
3.007	FACING, Driven plate				335273	LHD 2004-5-7-8-23-55	1
	*304465	2000-10-20	2		6916	(50.120) Nut 3/8-24 hex hd. LHD 2004-5-7-8-23-55	1
	317849	2000-10-20	2	3.101	SPRING, Booster		
	304465	2001-1A-11-21	2		371378	LHD 2000-1-10-11	1
	338216	2003-3A-4-5-6-7-8-23-30-55	2		371356	LHD 2003-6	1
	304993	(50.425) Rivet 2000-1-1A-10-11-20-21	24		335262	LHD 2004-5-7-8-23-55	1
	228617	(50.425) Rivet 2003-3A-4-5-6-7-8-23-55	24	3.1013	EYE BOLT, Booster spring		
3.009	WASHER, Driven plate hub friction				329898	LHD 2003-4-5-6-7-8-23-55	1
	354196	2000-10-20	2	3.1014	LOCK WASHER, Booster spring eye bolt		
	*358270	2000-10-20	2		329899	LHD 2003-4-5-6-7-8-23-55	1
	358270	2001-1A-3-3A-4-5-6-7-8-11-21-3-55	2	3.1015	NUT, Booster spring eye bolt		
	338232	2030	2		329530	LHD 5/16-24 spec. 2003-4-5-6-7-8-23-55	1
3.010	SPRING, Driven plate hub			3.102	BRACKET & BRACE ASSEMBLY, Booster spring		
	*330666	2000-10-20	6		371357	LHD 2003-6	1
	371314	2000-10-20	6		351021	LHD 2004-5-7-8-23-55	1
	330666	2001-1A-11-21-30	6		5506	(50.220) Lockwasher 3/8 split	1
	303469	2003-3A-4-5-6-7-8-23-55	4		7006	(50.100) Nut 3/8-24	1
	354084	(Aluminum enameled) 2003-3A-4-5-6-7-8-23-55	4		7819	(50.003) Screw 3/8-24 x 1 2003-6	1
3.0105	REFACING KIT, Driven plate				6661	(50.003) Screw 3/8-24 x 3/4 2004-5-7-8-23-55	1
	348991	2000-10-20	1	3.103	LINK, Booster spring		
	*348992	2000-10-20	1		367989	LHD 2000-1-10-11	1
	348992	2001-1A-11-21	1		373867	LHD 2003-6	1
	348993	2003-3A-4-5-6-7-8-23-30-55	1		335269	LHD 2004-5-7-8-23-55	1
3.011	PLATE, Pressure			3.104	SHAFT, Clutch & brake pedal		
	*378559	2000-10-20	1		371075	LHD 2000-1-3-6-10-11	1
	378558	2000-10-20	1		330202	2001A-3A-4-5-7-8-20-1-3-55	1
	378559	2001-1A-1A Amb.-11-21	1		378438	RHD 2000-1-10-11	1
	378560	2003-3A-4-5-6-7-8-23-30-55	1		5502	(50.220) Lockwasher 1/4 split RHD 2000-1-10-11	1
3.012	SPRING, Pressure				7766	(50.003) Screw 1/4-20 x 5/8 hex. hd. RHD 2000-1-10-11	1
	*202601	2000-10-20	9		378548	Spacer RHD 2000-1-10-11	1
	341700	2000-10-20	6	3.105	BRACKET, Pedal Shaft		
	202601	2001-1A-11-21	9		371076	LHD 2000-1-3-6-10-11	1
	317853	2001A Amb.	9		333449	2001A-3A-4-5-7-8-20-1-3-55	1
	341700	2003-3A-4-5-6-7-8-23-55	9		378562	RHD 2000-1-10-11	1
	373444	2030	9		5506	(50.220) Lockwasher 3/8 20th Sr.	1
3.013	BUTTON, Pressure spring insulator				7006	(50.100) Nut 3/8-24 20th Sr.	1
	*338234	2000-10-20	9				
	303502	2000-10-20	6				
	338234	2001-1A-3-3A-4-5-6-7-8-11-21-23-30-55	9				
	303502	2001A Amb.	9				

*Used with Electromatic Clutch.
#Used with Econo Drive.

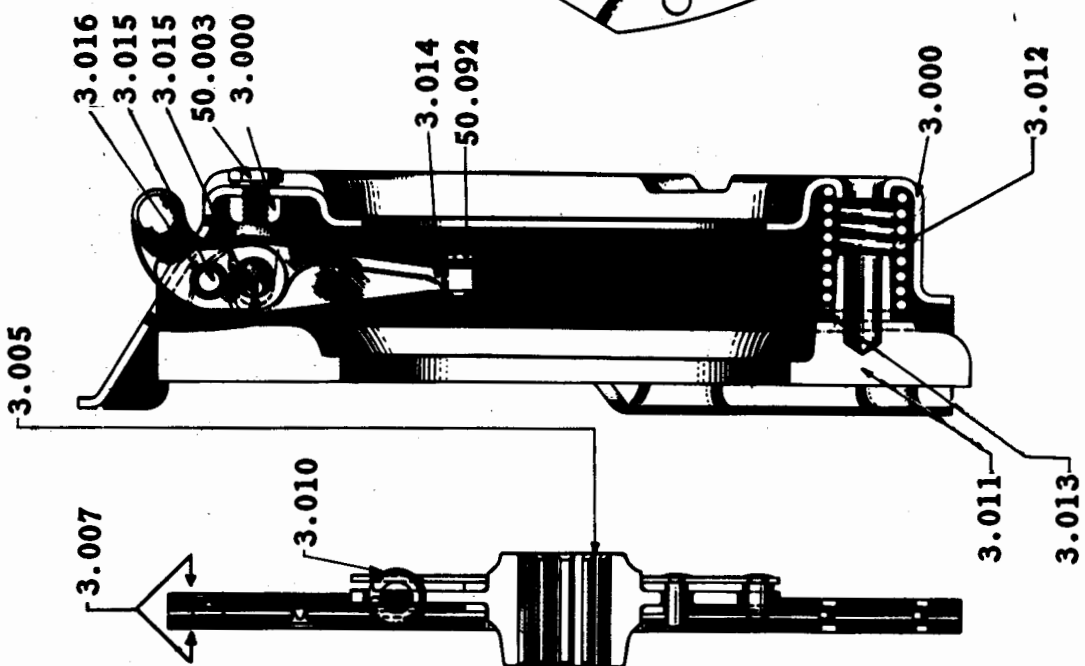
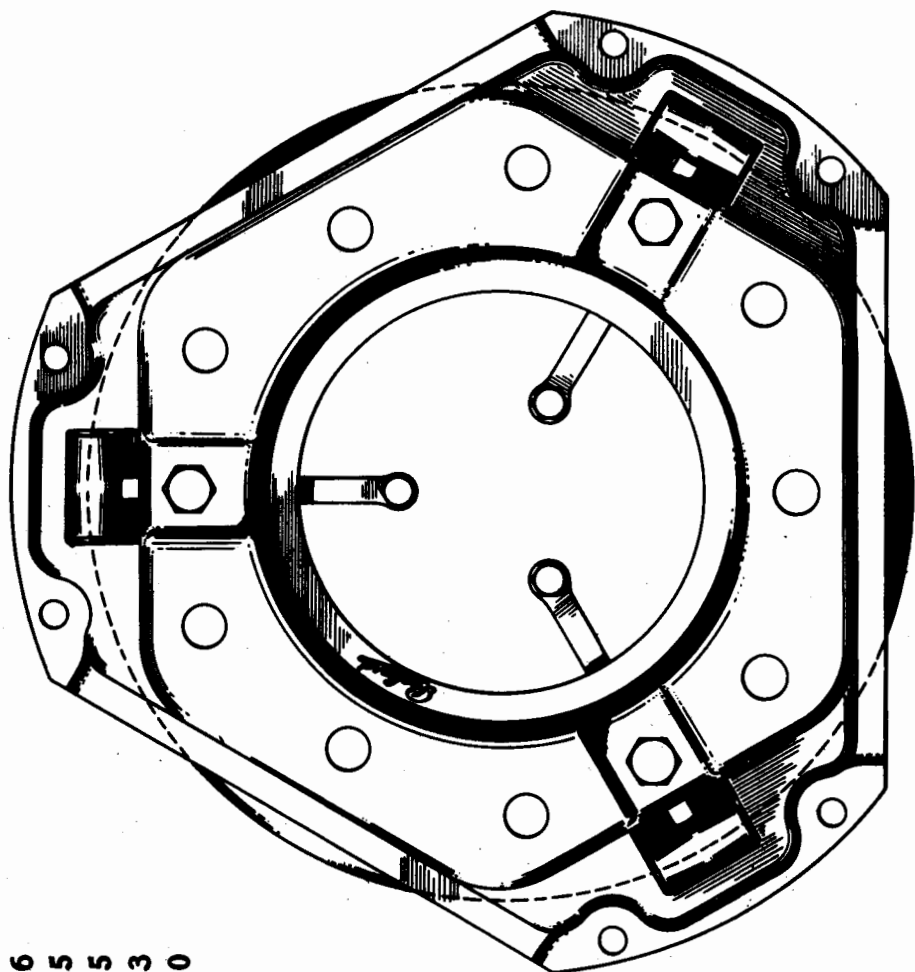
INDEX NO.	PART NO.	DESCRIPTION AND MODELS	PER CAR
CLUTCH CONTROL—Continued			
3.105	BRACKET, Pedal Shaft (Cont'd)		
	6987 (50.003) Screw 3/8-16 x 3 RHD 2000-1-10-11 ..		2
	7833 (50.003) Screw 3/8-16 x 1 RHD 2000-1-10-11 ..		1
	7818 (50.003) Screw 3/8-24 x 7/8 hex. hd. 20th Sr. x		
3.106	LUBRICATOR CONNECTOR, Pedal shaft		
	216549 20th Sr.		1
3.107	RING, Pedal shaft retaining		
	324008 (Open type) 20th Sr.		1
3.108	SPRING, Pedal shaft retaining		
	371173 2000-1-3-6-10-11		1
	341769 2001A-3A-4-5-7-8-20-1-3-55		1
	351098 Washer 20th Sr.		3
3.109	PEDAL, Clutch		
	371051 LHD 2000-1-10-11		1
	362724 LHD 2001A-20-1		1
	377703 LHD 2003-6		1
	335944 LHD 2003A-4-5-7-8-23-55		1
	379200 RHD 2000-1-10-11		1
	338262 RHD 2001A-20-1		1
	335917 RHD 2003A-4-5-7-8-23-55		1
3.110	BEARING, Pedal		
	232276 2003A-4-5-7-8-23-55		2
3.111	SEAL, Pedal bearing		
	232275 2003A-4-5-7-8-23-55		2
3.112	BOOT, Pedal		
	300915 20th Sr.		1
3.113	PIN, Pedal connecting		
	324463 RHD 2001A-20-1		1
3.114	PAD ASSEMBLY, Pedal		
	335927 LHD 20th Sr.		1
	335928 RHD 2000-1-10-11		1
	240485 RHD 2001A-3A-4-5-7-8-20-1-3-55		1
	5504 (50.220) Lockwasher 5/16 split 20th Sr.		1
	7005 (50.100) Nut 5/16 - 24 20th Sr.		1
	7861 (50.003) Screw 5/16-24 x 1" hex. hd. 20th Sr.		1
	6242 (50.003) Screw 5/16-24 x 1-1/8 hex. hd. RHD 2001A-3A-4-5-7-8-20-1-3-55		1
3.115	SPRING, Pedal retracting		
	*377782 LHD 2000-1-3-6-10-11		1
	*371984 LHD 2001A-20-1		1
	371420 LHD 2001A-20-1		1
	373905 LHD 2003-6		1
	335356 LHD 2003A-4-5-7-8-23-55		1
	*371905 LHD 2003A-4-5-7-8-23-55		1
	379213 RHD 2000-1-10-11		1
	335918 RHD 2003-3A-4-5-6-7-8-23-55		1
	315942 RHD 2020-1		1
3.116	ROD, Pedal (to relay lever)		
	371073 LHD 2000-1-3-6-10-11		1
	362641 LHD 2001A-21		1
	362640 LHD 2020		1
	362732 RHD 2001A-21		1
	362731 RHD 2020		1
	6359 (50.200) Washer (pedal end) 5/16 2001A-20-1 ..		1
	190291 SPRING WASHER (pedal end) RHD 2001A-20-1		1
3.1162	PIN, Pedal (To relay lever) rod		
	371397 2000-1-3-6-10-11		2
	*371398 2000-1-3-6-10-11		1
	371141 (Pedal End) LHD 2001A-20-1		1
	354873 (Pedal End) LHD 2003A-4-5-7-8-23-55		1
	335919 (Pedal End) RHD 2003A-4-5-7-8-23-55		1
	6968 (50.240) Cotter pin 1/16 x 5/8 LHD 2001A-20-1 ..		1
	4293 (50.240) Cotter pin LHD 2003A-4-5-7-8-23-55 ..		1
	332226 Lock RHD 2003A-4-5-7-8-23-55		1
	7105 (50.110) Nut 5/16-24 2000-1-3-6-10-11		2
	7771 (50.110) Nut 2001A-20-1		1

INDEX NO.	PART NO.	DESCRIPTION AND MODELS	PER CAR
CLUTCH CONTROL—Continued			
3.1162	PIN, Pedal (To relay lever rod) (Cont'd)		
	371272 Spacer (Pedal end) LHD 2001A-20-1		2
	371396 Spring washer 2000-1-3-6-10-11		1
	207750 Spring washer (Pedal end) LHD 2001A-20-1		2
	*7320 (50.200) Washer 2000-1-3-6-10-11		1
	373298 Washer 13/32 (Pedal end) 2000-1-3-6-10-11 ...		1
	373298 Washer 13/32 (Relay end) 2000-1-3-6-10-11 ...		2
	3877 (50.200) Washer 3/8 RHD 2003A-4-5-7-8-23-55 ..		1
3.1163	PIN, Pedal (To relay lever) rod stop		
	332220 2000-1-1A-3-6-10-11-20-1		1
3.1165	RUBBER, Pedal (Red)		
	*367315 20th Sr.		1
3.1166	RUBBER SET, Clutch & brake pedal		
	98766 (Supersedes 169182) 20th Sr.		1
3.1169	SPLASHER, Clutch pedal		
	382341 2000-1-10-11		1
3.118	LEVER & BALL ASSEMBLY, Shifter		
	302504 2000-1-1A-10-11-20-1		1
	5806 (50.230) Lockwasher 7/16		1
	7007 (50.100) Nut 7/16-20		1
3.119	LEVER, Shifter		
	302504 2000-1-1A-10-11-20-21		1
	371288 LHD 2003-6		1
	329966 LHD 2003A-4-5-7-8-23-55		1
	335656 RHD 2003A-4-5-7-8-23-55		1
3.120	BRACKET, Shifter lever bearing anchor		
	335052 2003-3A-4-5-6-7-8-23-55		1
3.1205	BEARING ROLLER, Shifter Lever		
	329955 2003-3A-4-5-6-7-8-23-55		23
3.121	SPACER, Shifter lever bearing shaft		
	335688 2003-3A-4-5-6-7-8-23-55		1
	6902 (50.120) Nut 3/8-24		1
	6269 (50.003) Screw 3/8-24 x 2-1/4		1
3.122	SLEEVE, Shifter lever bearing		
	329956 2003-3A-4-5-6-7-8-23-55		1
3.123	SPACER, Shifter lever bearing		
	329957 2003-3A-4-5-6-7-8-23-55		2
3.124	THRUST WASHER, Shifter lever bearing		
	329958 2003-3A-4-5-6-7-8-23-55		2
3.125	BOOT ASSEMBLY, Shifter lever		
	316419 20th Sr.		1
	6072 Rivet 9/64 x 9/16 oval hd.		1
3.127	ROD, Shifter lever to relay lever		
	371082 LHD 2000-1-10-11		1
	362651 2001A-20-1		1
	373860 LHD 2003-6		1
	4289 (50.240) Cotter pin 3/32 x 1/2		1
	302481 Nut 2000-1-1A-10-11-20-1		1
	7005 (50.100) Nut 5/16-24 2000-1-1A-10-11-20-1 ..		1
3.1275	PIN, Clutch shifter lever rod to relay lever		
	371398 2000-1-10-11		1
	373902 LHD 2003-6		1
	4280 (50.240) Cotter pin 1/16 x 1/2		1
	7105 (50.110) Nut 5/16-24		1
	371396 Spring washer		2
	373298 Washer 13/32 plain		2
3.1276	SPRING, Clutch shifter lever rod (To relay lever)		
	371425 2000-1-10-11		1
3.128	LEVER ASSEMBLY, Shifter relay		
	373563 LHD 2000-1-10-11		1
	*367258 2001A-20-1		1
	362653 LHD 2001A-20-1		1

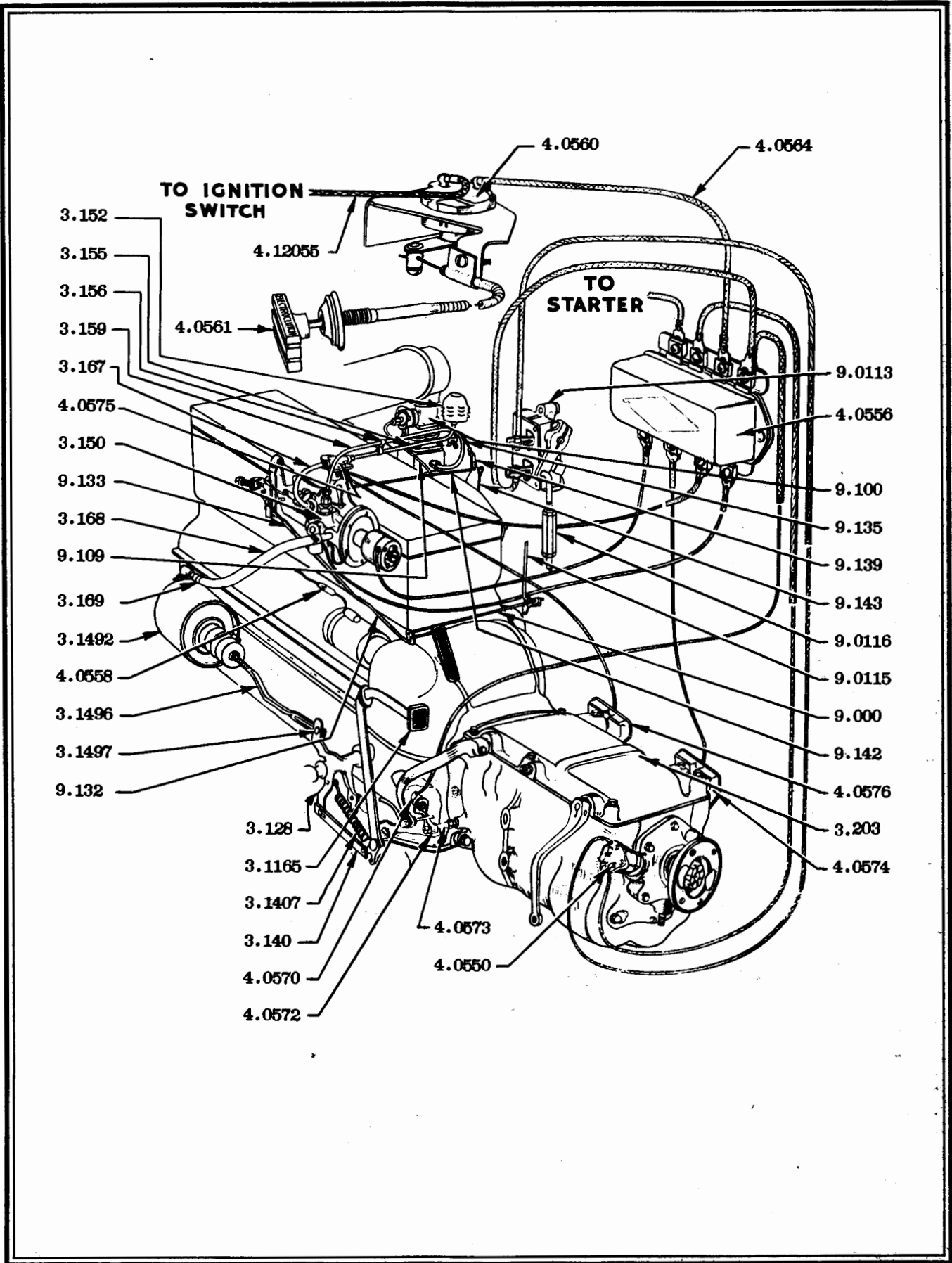
*Used with Electromatic Clutch.



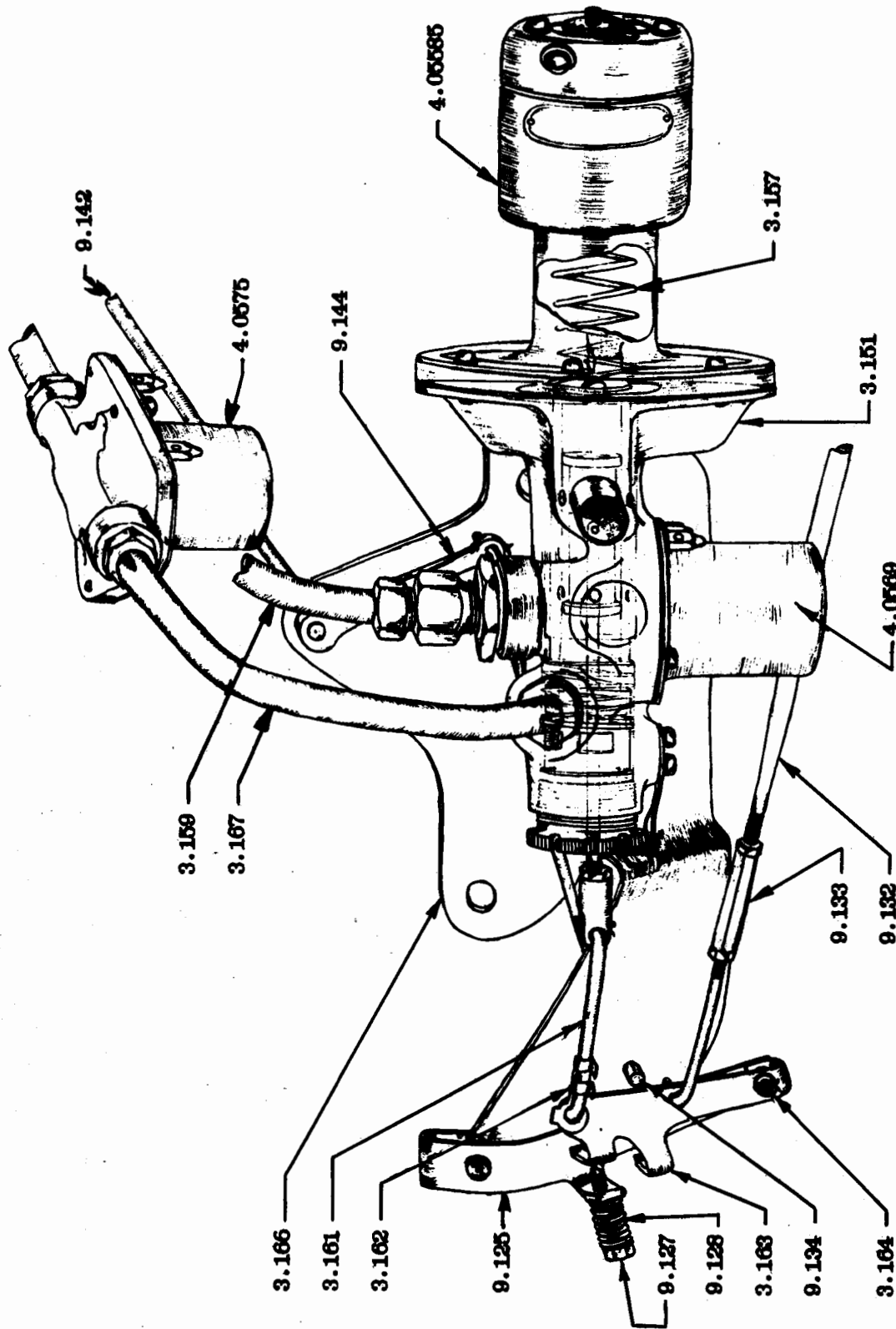
CLUTCH ASSEMBLY



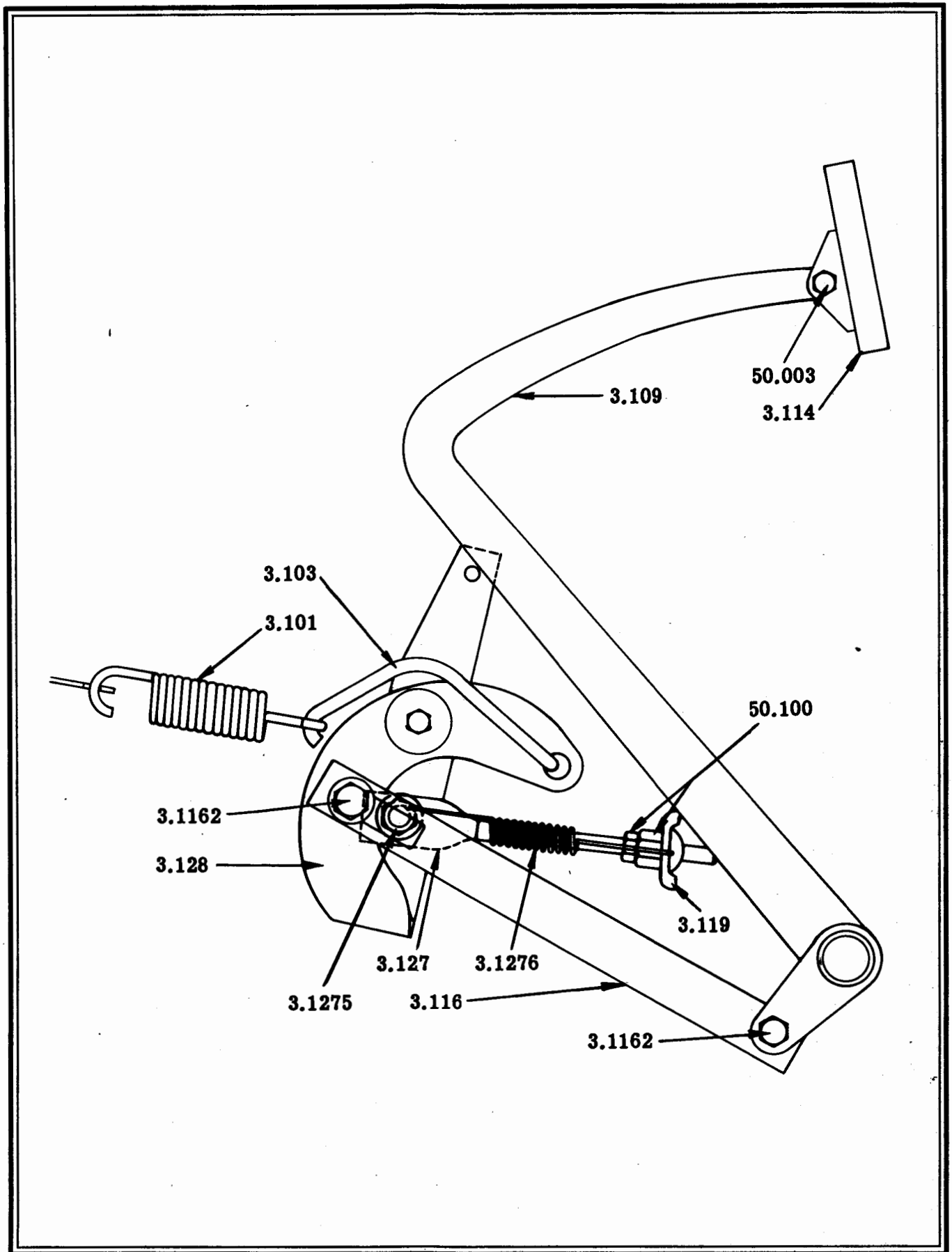
CLUTCH PLATES



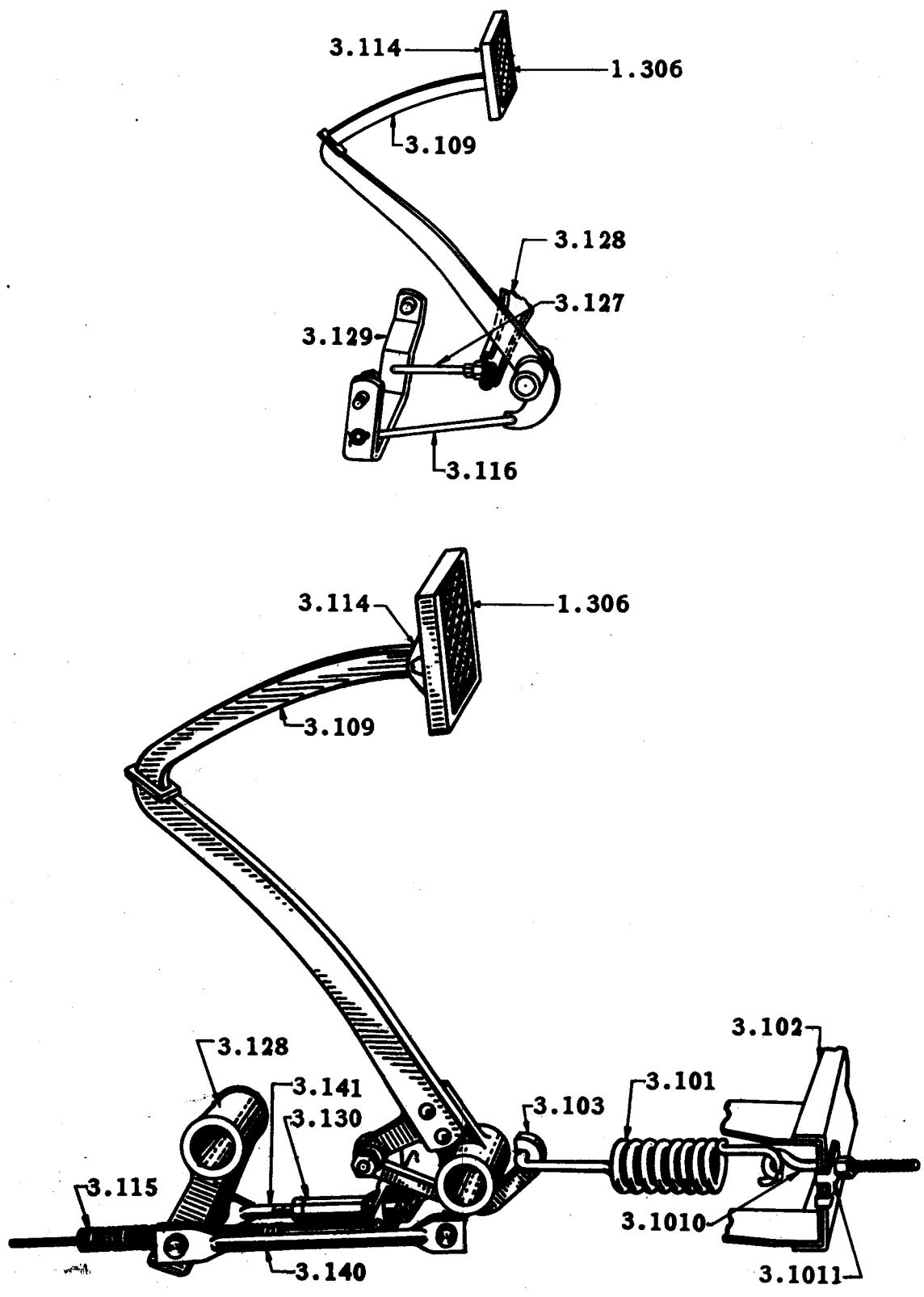
ELECTROMATIC CLUTCH



ELECTROMATIC CLUTCH VALVE ASSEMBLY



CLUTCH LINKAGE (CLIPPER TYPE)



CLUTCH LINKAGE

INDEX NO.	PART NO.	DESCRIPTION AND MODELS	PER CAR	INDEX NO.	PART NO.	DESCRIPTION AND MODELS	PER CAR
CLUTCH CONTROL—Continued				CLUTCH CONTROL—Continued			
3.128		LEVER ASSEMBLY, Shifter relay (Cont'd)		3.1387		GUARD ASSEMBLY, Clutch shifter relay lever pulley (Cont'd)	
	371367	LHD 2003-6	1		*7105	(50.110) Nut 5/16-24	1
	*371218	2003A-4-5-7-8-23-55	1		*373696	Pin	1
	335357	LHD 2003A-4-5-7-8-23-55	1	3.1388		PIVOT ASSY., Clutch shifter relay lever pulley	
	362716	RHD 2001A-20-1	1		*373640	2000-1-3-6-10-11	1
	335515	RHD 2003A-4-5-7-8-23-55	1		*4291	(50.240) Cotter pin 3/32 x 3/4	1
3.129		LEVER, Shifter relay		3.1389		LUBRICATOR, Clutch shifter relay lever pulley pivot	
	373562	LHD 2000-1-10-11	1		*373639	2000-1-3-6-10-11	1
	*367257	2001A-20-1	1	3.1395		SCREW, Shifter relay lever pivot (Flywheel housing)	
	362644	LHD 2001A-20-1	1		7801	(50.003) 1/4-28 x 1/2 hex. hd. 2000-1-1A-3-6-10-11-20-1	x
	371366	LHD 2003-6	1		5502	(50.220) Lockwasher 1/4	x
	362715	RHD 2001A-20-1	1		354620	Washer 2000-1-3-6-10-11	2
	354602	Washer (thin) 2000-1-3-6-10-11	4		330308	Washer 2001A-20-1	1
	*354602	Washer (thin) 2001A-20-1	2	3.140		ROD, Shifter relay lever (to pedal)	
	330293	Washer (thin) 2001A-20-1	2		*367220	2001A-21	1
	330307	Washer (thick) 2001A-20-1	2		*367309	2003A-4-5-7-8-23-55	1
	*354603	Washer (thick) 2001A-20-1	2		335225	2003A-4-5-7-8-23-55	1
3.130		ADJUSTER, Shifter relay lever to shifter lever rod			*367219	2020	1
	332242	2003-3A-4-5-6-7-8-23-55	1	3.1405		PIN, Shifter relay lever (to pedal) rod	
	7006	Nut 3/8-24	1		*367485	2001A-20-1	1
3.131		SEAT, Shifter relay (to shifter lever rod adjuster)			*367329	2003A-4-5-7-8-23-55	1
	332241	2003-3A-4-5-6-7-8-23-55	1		*4280	(50.240) Cotter pin 1/8 2001A-20-1	1
3.133		BEARING, Shifter relay lever		3.1406		NUT, Shifter relay lever (to pedal) rod pin	
	232276	2003A-4-5-7-8-23-55	2		*367275	2001A-20-1	1
3.1335		BRACKET ASSEMBLY, Shifter relay lever (to frame pivot)		3.1407		SPRING, Shifter relay lever (to pedal)	
	371355	LHD 2000-1-3-6-10-11	1		*367261	2001A-3A-4-5-7-8-21-3-55	1
	*354608	2001A-20-1	1		*367260	2020	1
	5506	(50.220) Lockwasher 3/8 2000-1-3-6-10-11	2	3.141		ROD, Shifter relay lever (to shifter lever)	
	7006	Nut 3/8-24 2000-1-3-6-10-11	2		335224	2003A-4-5-7-8-23-55	1
	7387	Screw 3/8-24 x 7/8 hex hd. 2000-1-3-6-10-11	2		4289	(50.240) Cotter pin 3/32 x 1/2	1
3.135		BOOT, Shifter relay lever		3.1415		PIN, Shifter relay lever rod	
	335290	2003A-4-5-7-8-23-55	2		371172	2001A-20-1	2
3.136		OILER, Shifter relay lever hub			6968	(50.240) Cotter pin 1/16 x 5/8	2
	311832	2003A-4-5-7-8-23-55	1		7771	(50.110) Nut 5/16-24	2
3.1365		PIN, Shifter relay lever hub spring			371272	Spacer	4
	*367316	2003A-4-5-7-8-23-55	1		207750	Spring washer	4
3.137		PIN, Shifter relay lever		3.142		SPRINGS, Shifter relay lever	
	358798	2003A-4-5-7-8-23-55	2		335338	2003A-4-5-7-8-23-55	2
	*371554	2003A-4-5-7-8-23-55	2		371427	Washer	1
	4290	(50.240) Cotter pin 3/32 x 5/8	2	3.143		PIN, Shifter relay lever stop	
	*371272	Spacer	4		332220	2003A-4-5-7-8-23-55	1
	*207750	Spring washer	4	3.144		SHAFT, Shifter relay lever universal joint	
3.1375		PIVOT, Clutch shifter relay lever (to flywheel housing)			335297	2003A-4-5-7-8-23-55	2
	371373	2003-6	1	3.145		PIVOT PIN, Shifter relay lever universal joint shaft	
3.138		PIVOT, Shifter relay lever (to frame)			330526	2003A-4-5-7-8-23-55	2
	371234	LHD 2000-1-3-6-10-11	1	3.146		PIN, Shifter relay lever universal joint shaft retaining	
	*367411	2001A-20-1	1		335348	2003A-4-5-7-8-23-55	2
	330336	2001A-20-1	1	3.147		SUPPORT ASSEMBLY, Shifter relay lever universal joint shaft	
	*354611	Nut 2001A-20-1	1		335344	2003A-4-5-7-8-23-55	2
	362814	Nut 2001A-20-1	1		6322	(50.230) Washer 5/8 internal	2
	*354620	Washer 2001A-20-1	1	3.148		BEARING & SLEEVE ASSEMBLY, Shifter thrust	
	225613	Washer 2001A-20-1	1		341805	LHD 2000-1-1A-10-11-20-1	1
3.1385		BEARING, Shifter relay lever pivot			335355	2003-3A-4-5-6-7-8-23-55	1
	354604	2000-1-3-6-10-11	2		341817	RHD 2001A-20-1	1
	*354604	2001A-20-1	2				
3.1386		PULLEY, Clutch shifter relay lever					
	*373635	2000-1-3-6-10-11	1				
3.1387		GUARD ASSEMBLY, Clutch shifter relay lever pulley					
	*373630	2000-1-3-6-10-11	1				
	*4280	(50.240) Cotter pin 1/16	1				

*Used with Electromatic Clutch.

CLUTCH AND TRANSMISSION

INDEX NO.	PART NO.	DESCRIPTION AND MODELS	PER CAR
CLUTCH CONTROL—Continued			
3.149	SPRING, Shifter thrust bearing sleeve re-tracting		
	302404 20th Sr.		1
	7523 Pin (3/16 yoke end)		1
3.1492	CYLINDER ASSEMBLY, Vacuum		
	*373932 2000-1-3-6-10-11		1
	*367177 2001A-20-1		1
	*367295 2003A-4-5-7-8-23-55		1
	*5506 (50.220) Lockwasher 3/8 2000-1-3-10-11	x	
	*7006 (50.100) Nut 3/8-24 2000-1-3-6-10-11	2	
	*3877 (50.200) Washer 3/8 2000-1-3-6-10-11	2	
3.1493	BRACKET, Vacuum cylinder		
	*373605 2000-1-3-6-10-11	1	
	*367305 2001A-3A-4-5-7-8-20-1-3-55	1	
	*5506 (50.220) Lockwasher 3/8 2001A-3A-4-5-7-8-20-1-3-55	2	
	*7833 (50.003) Screw 3/8-16 x 1 (Brkt. to Cyl.) 2000-1-3-6-10-11	2	
	*7819 Screw 3/8-24 x 1 2001A-3A-4-5-7-8-20-1-3-55.	2	
3.1494	PIN, Vacuum cylinder bracket		
	*373126 2001A-3A-4-5-7-8-20-1-3-55	1	
	*4290 (50.240) Cotter pin	1	
3.1495	SPRING WASHER, Vacuum cylinder bracket pin		
	*371391 2001A-3A-4-5-7-8-20-1-3-55	2	
3.14955	CABLE ASSEMBLY, Clutch vacuum cylinder		
	*377789 2000-10	1	
	*373842 2001-11	1	
	*377543 2003-6	1	
	*5504 (50.220) Lockwasher 5/16	1	
	*7005 (50.100) Nut 5/16-24	2	
	*6359 (50.200) Plain Washer 5/16	2	
3.14956	BRACKET, Clutch vacuum cylinder cable anchor		
	*377792 2003-6	1	
	*377542 "U" Bolt	1	
	*6502 (50.220) Lockwasher 1/4	2	
	*7004 (50.100) Nut 1/4-28	2	
3.14958	ANCHOR STRAP, Clutch vacuum cylinder cable		
	*373618 2000-1-10-11	1	
	*5504 (50.220) Lockwasher 5/16	1	
	*7005 (50.100) Nut 5/16-24	1	
	*7828 (50.003) Screw 5/16-24 x 1-1/8	1	
	*6228 Washer 5/16	2	
3.1496	ROD, Vacuum cylinder to clutch shifter relay lever		
	*367333 2001A-21	1	
	*367297 2003A-4-5-7-8-23-55	1	
	*367334 2020	1	
	*7006 (50.100) Nut	1	
3.1497	PIN, Vacuum cylinder to clutch shifter relay lever rod		
	*371673 2001A-20-1	1	
	*367304 2003A-4-5-7-8-23-55	1	
	*4280 (50.240) Cotter pin 1/16	1	
	*7771 (50.110) Nut 5/16-24	1	
	*371272 Spacer	2	
	*207750 Spring washer	2	
3.1498	SPRING, Vacuum cylinder support		
	*372121 2001A-3A-4-5-7-8-20-1-3-55	1	
3.150	VALVE ASSEMBLY (with bracket & levers)		
	*377795 2020	1	
	*378100 2000-10-20	1	
	*378115 2001-11-21	1	
	*378100 2003-6	1	
	*378101 2003A-4-5-7-8-23-55	1	
	*377795 2020	1	

INDEX NO.	PART NO.	DESCRIPTION AND MODELS	PER CAR
CLUTCH CONTROL—Continued			
3.152	AIR CLEANER, Valve		
	*373227 20th Sr.		1
3.153	HOSE, Valve air cleaner		
	*373165 20th Sr.		1
3.154	HOSE CLAMP, Valve air cleaner		
	*237557 20th Sr.		2
3.155	TUBE ASSEMBLY, Valve air cleaner (to trans. 2nd. speed choke valve and solenoid)		
	*371712 2000-1-1A-10-11-20-1	1	
	*378125 2003-6	1	
	*371743 2003A-4-5-23-55	1	
	*371744 2007-8	1	
	*6263 Flared tube nut 1/2 2000-1-1A 3-3A 4-5-6-10-11-20-1-3-55	1	
	*8274 Flared tube nut 1/2 2007-8	1	
3.156	CLAMP, Valve air cleaner tube		
	*371737 20th Sr.	1	
	*7004 (50.100) Nut 1/4-28	1	
	*5471 (50.003) Screw 1/4-28 x 3/4	1	
3.157	SPRING, Valve diaphragm		
	*378109 2000-10	1	
	*373915 2001-11	1	
	*371721 2001A-21	1	
	*378112 2003-6	1	
	*371187 2020	1	
3.159	TUBE ASSEMBLY, Valve to motor intake manifold		
	*367543 2000-10-20	1	
	*367528 2001-1A-11-21	1	
	*378123 2003-6	1	
	*367496 2003A-4-5-23-55	1	
	*367531 2007-8	1	
	*6259 Flared tube connector 1/2 2000-1-1A-3-3A-4-5-6-10-11-20-1-3-55	2	
	*8275 Flared tube connector 1/2 2007-8	2	
	*6263 Flared nut 1/2 2000-1-1A-3-3A-4-5-6-10-11-20-1-3-55	2	
	*8274 Flared nut 1/2 2007-8	2	
3.160	PIN, Valve operating lever		
	*170400 20th Sr.	1	
	4280 (50.240) Cotter pin	1	
	3906 (50.200) Washer 3/16	1	
3.161	LINK, Valve operating		
	*367277 20th Sr.	1	
	*4280 (50.240) Cotter pin 1/16	1	
	*3906 Washer #10	1	
3.162	CLEVIS CLIP, Valve operating link (rod end)		
	*338753 20th Sr.	1	
3.163	LEVER, Valve operating link		
	*367255 20th Sr.	1	
3.164	PIN, Valve operating link lever bushing		
	*170400 20th Sr.	1	
	*4280 (50.240) Cotter pin	1	
	*3906 Washer	1	
3.165	SPRING, Valve operating link lever		
	*373177 2001A-3A-4-5-7-8-20-1-3-55	1	
3.166	SUPPORT PLATE ASSEMBLY, Valve		
	*367330 2000-10-20	1	
	*367319 2001-1A-11-21	1	
	*367324 2003-3A-4-5-6-7-8-23-55	1	
	*6048 (50.230) Lockwasher 3/8	x	
	*5506 (50.220) Lockwasher 3/8	1	
	*7758 (50.003) Screw 3/8-16 x 5/8	x	

*Used with Electromatic Clutch.

INDEX NO.	PART NO.	DESCRIPTION AND MODELS	PER CAR
CLUTCH CONTROL—Continued			
3.167		TUBE ASSEMBLY, Valve to trans. second speed choke valve and solenoid	
	*371159	2000-1-1A-10-11-20-1	1
	*378124	2003-6	1
	*371757	2003A-4-5-23-55	1
	*371758	2007-8	1
	*6263	Nut 1/2 2000-1-1A-3-3A-4-5-6-10-11-20-1-3-55	2
	*8274	Nut 1/2 2007-8	2
3.168		HOSE, Valve to vacuum cylinder	
	*373165	2000-1-3-6-10-11	2
	*207776	2001A-3A-4-5-7-8-21-3-55	1
	*237215	2020	1
3.169		HOSE CLAMP, Valve to vacuum cylinder	
	*237557	2000-1-3-6-10-11	4
	*373164	2001A-3A-4-5-7-8-20-1-3-55	2
3.1695		TUBE, Clutch valve to vacuum cylinder	
	*378739	2000-10	1
	*379466	2001-11	1
	*378740	2003-6	1
3.170		COVER ASSEMBLY, Toe board clutch & brake pedal	
	373153	LHD 2000-1-3-6-10-11	1
	333291	LHD 2004-5-7-8-21-3-55	1
	333290	LHD 2020-30	1
	378820	RHD 2000-1-10-11	1
	6859	(50.300) Screw #14 x 1/2 tapping	4
3.172		INSULATOR, Toe board clutch & brake pedal cover	
	373151	LHD 2000-1-3-6-10-11	1
	333297	LHD 2004-5-7-8-21-3-55	1
	333296	LHD 2020-30	1
	378819	RHD 2000-1-10-11	1

TRANSMISSION

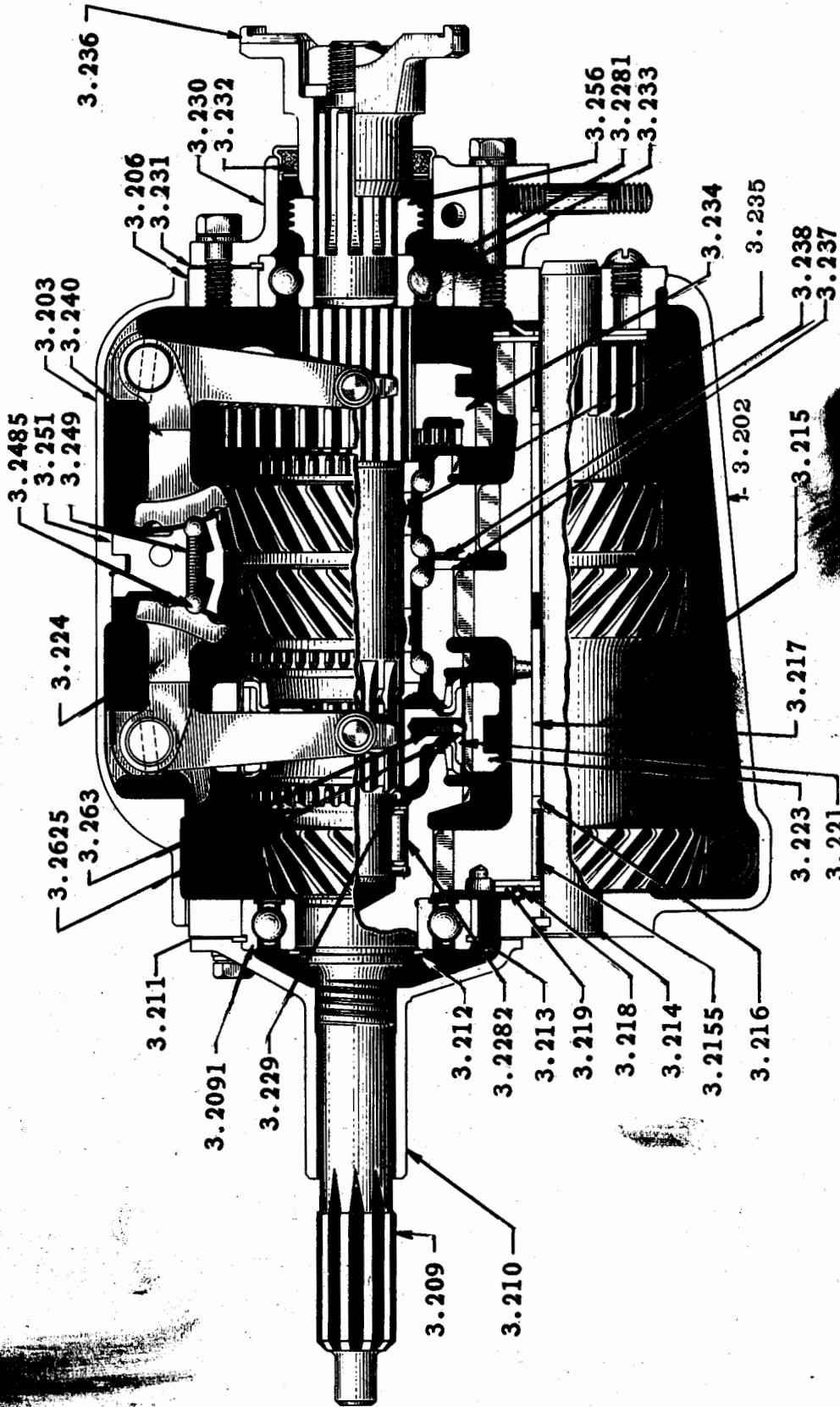
3.200		TRANSMISSION ASSEMBLY	
	901005	(LHD 2000-1-10-11	1
	901007	LHD 2001A-21	1
	901008	LHD 2003-6	1
	901009	LHD 2003A-4-5-7-8-23-55	1
	901039	LHD 2020	1
	901010	RHD 2000-10	1
	901011	RHD 2001-11	1
	901012	RHD 2001A-21	1
	901014	RHD 2003A-4-5-7-8-23-55	1
	901026	RHD 2020	1
	5510	(50.220) Lockwasher 1/2	4
	7879	(50.003) Screw 1/2-13 x 1-1/2	4
3.202		CASE, Transmission	
	367164	20th Sr.	1
	6099	Plug 1/2 square hd.	2
3.203		COVER ASSEMBLY, Case	
	379014	LHD 20th Sr.	1
	360448	RHD 20th Sr.	1
	*6699	(50.230) Lockwasher 1/4	1
	5504	(50.220) Lockwasher 5/16	6
	335346	Screw (Breather Type)	1
	7804	(50.003) Screw 5/16-18 x 3/4	3
	7377	(50.003) Screw 5/16-18 x 1-1/2	2
3.204		CAP, Case cover assembly screw breather	
	330347	20th Sr.	1
3.206		GASKET, Case cover	
	333629	20th Sr.	1
3.2061		SCREW, Trans. case cover	
	367576	LHD 20th Sr.	1
	70918	LHD Gasket	1
3.2063		PLUG, Case cover shifter fork shaft hole	
	335663	20th Sr.	x

INDEX NO.	PART NO.	DESCRIPTION AND MODELS	PER CAR
TRANSMISSION—Continued			
3.209		CLUTCH SHAFT, Transmission	
	335130	2000-1-1A-10-11-20-1	1
	373974	2003-3A-4-5-6-7-8-23-55	1
3.2091		BEARING (REAR) AND RETAINING RING ASSEMBLY, Clutch shaft	
	304123	20th Sr.	1
3.2092		BEARING (FRONT), Clutch shaft	
	300228	2000-1-1A-10-11-20-1	1
	205454	2003-3A-4-5-6-7-8-23-55	1
3.210		COVER, Clutch shaft bearing rear	
	338318	2000-1-1A-10-11-20-1	1
	333995	2003-3A-4-5-6-7-8-23-55	1
	7804	(50.003) Screw 5/16-18 x 3/4	6
	354310	Screw Gasket	6
3.211		GASKET, Clutch shaft bearing rear cover	
	300820	20th Sr.	1
3.212		RETAINER, Clutch shaft bearing rear (inner)	
	300937	20th Sr.	1
3.213		RING, Clutch shaft bearing gear retaining (outer)	
	300236	20th Sr.	1
3.214		COUNTERSHAFT, Transmission	
	333572	20th Sr.	1
	4551	Woodruff Key #5	1
3.215		GEAR CLUSTER, Countershaft	
	333809	20th Sr.	1
3.2155		ROLLER, Countershaft gear cluster bearing	
	302578	20th Sr.	50
3.216		RING, Countershaft gear cluster bearing roller	
	302577	20th Sr.	2
3.217		SPACER, Countershaft gear cluster bearing	
	303938	20th Sr.	1
3.218		END PLATE, Countershaft gear cluster	
	300844	20th Sr.	2
3.219		THRUST WASHER, Countershaft gear cluster	
	333580	20th Sr.	2
3.222		GEAR, Direct drive & second speed clutch	
	360331	20th Sr.	1
3.223		CLUTCH RING, Direct drive & second speed	
	360326	20th Sr.	1
3.224		SHIFTER FORK, Direct drive & second speed gear	
	360430	20th Sr.	1
3.226		SHOE, Direct drive & second speed gear shifter fork	
	333543	20th Sr.	2
	3868	Washer	2
3.2281		BEARING (REAR) AND RETAINING RING ASSEMBLY, Driving shaft	
	*371895	2000-1-3-6-10-11	1
	*304124	2000-1-1A-3A-4-5-7-8-10-11-20-1-3-55	1
3.2282		BEARING, Driving shaft (front)	
	300290	Front 20th Sr.	1
3.229		SPACER, Drive shaft (front) bearing	
	300285	20th Sr.	1
3.230		COVER, Driving shaft bearing rear	
	*371765	2000-1-3-6-10-11	1
	*367128	2000-1-1A-4-5-7-8-10-11-20-1-3-55	1
	5506	(50.220) Lockwasher 3/8 20th Sr.	5
	300954	Screw 20th Sr.	3

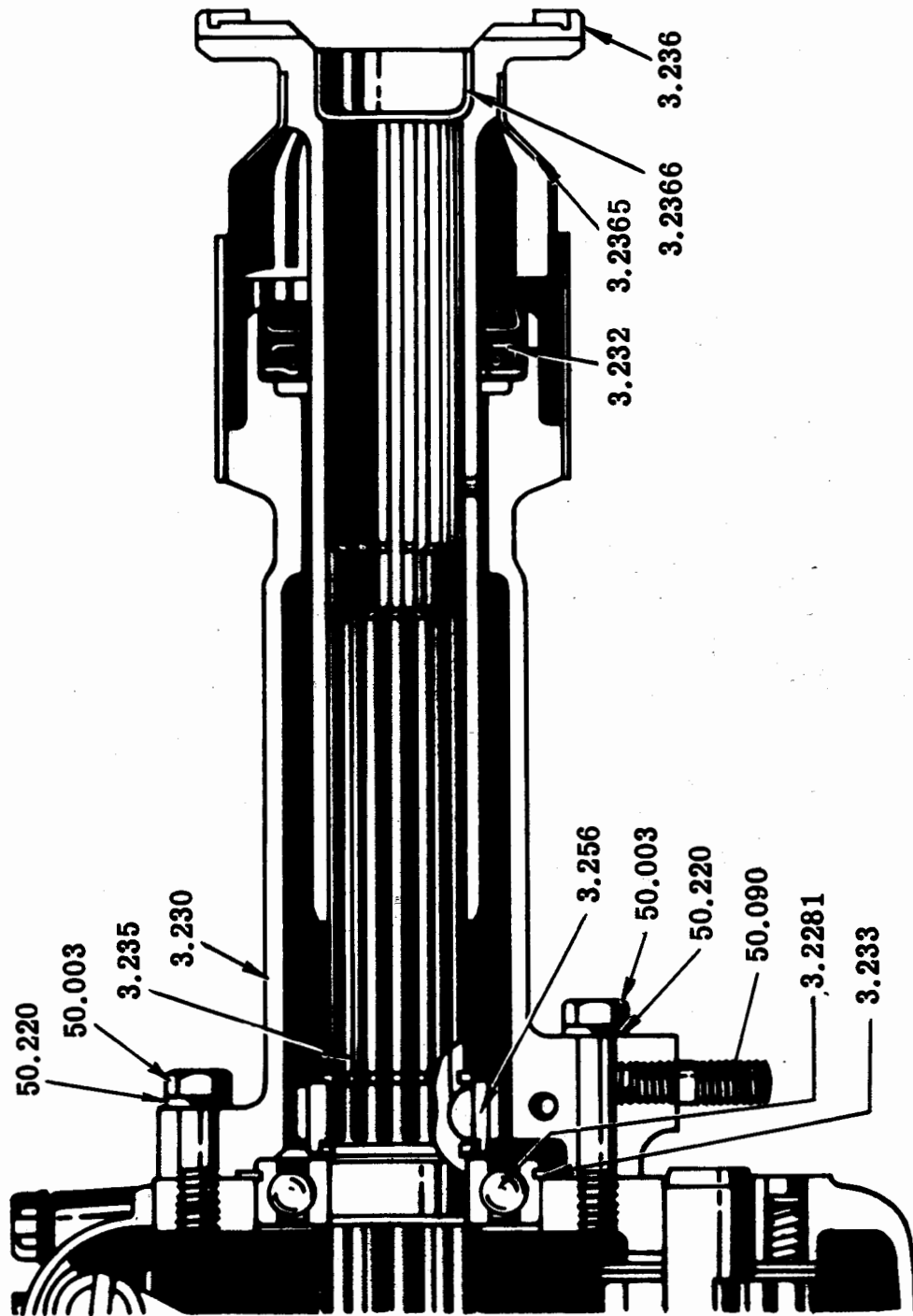
*Used with Electromatic Clutch

•Two types of Universal Joint shafts were used on Models 2000-1-10-11 equipped with EconoDrive (See Universal Joint shaft illustration.) Use with "Mechanics Universal" type.

□Use with "Universal Products" type.



TRANSMISSION

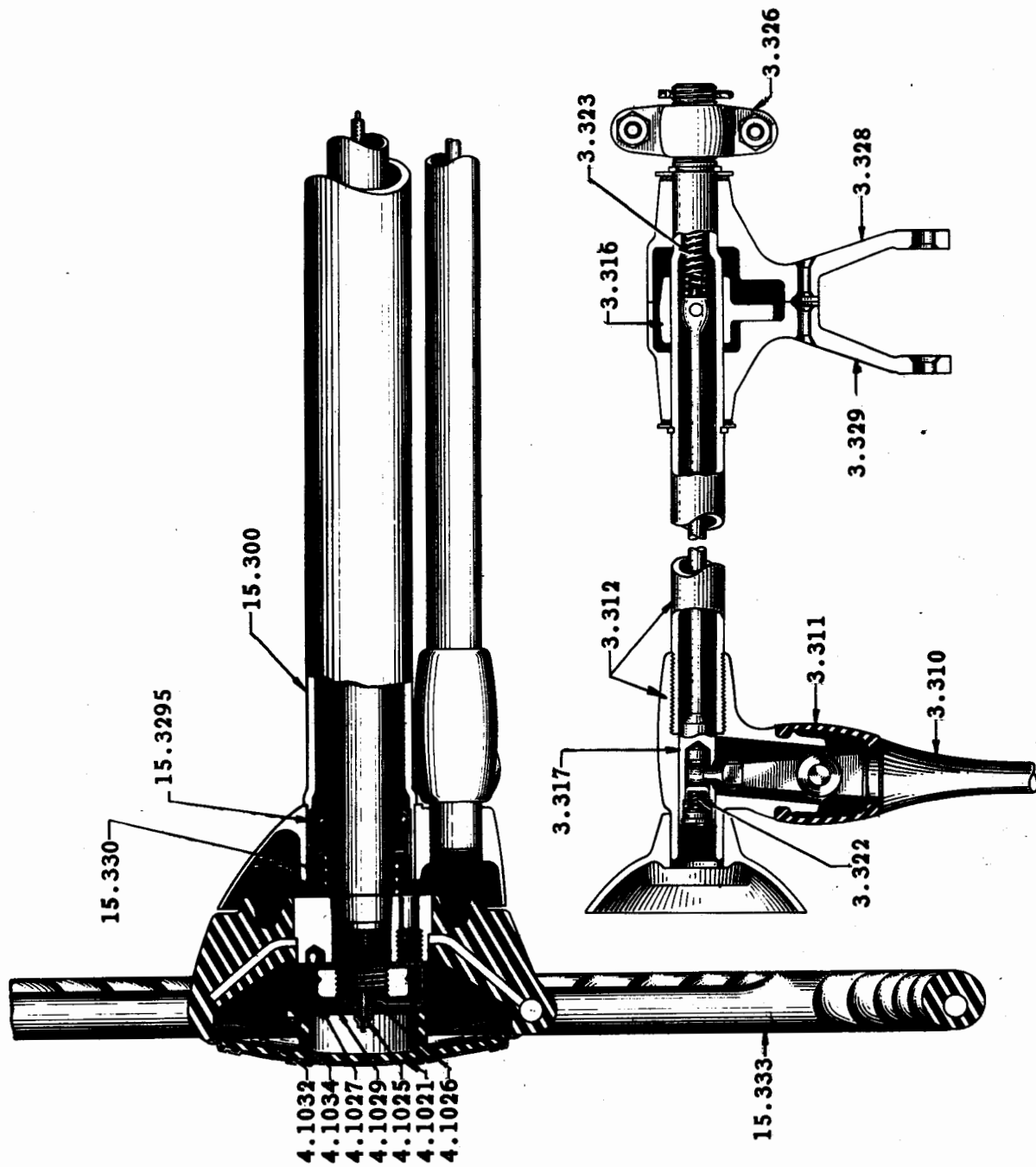


TRANSMISSION, REAR COVER ASSEMBLY

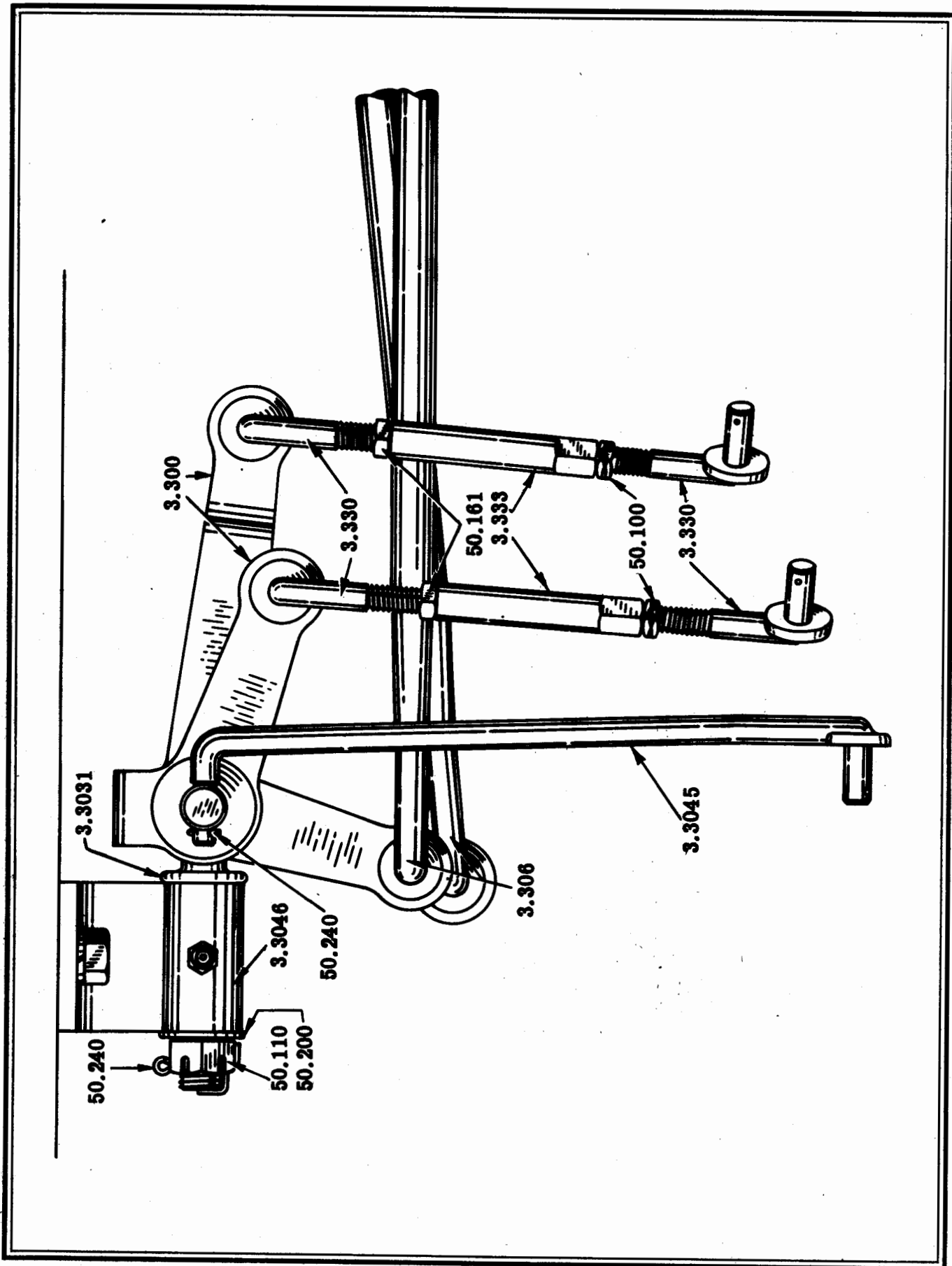
INDEX NO.	PART NO.	DESCRIPTION AND MODELS	PER CAR
TRANSMISSION—Continued			
3.230	COVER, Driving shaft bearing rear (Cont'd)		
	•7088 (50.003) Screw 3/8-16 x 1-3/8 2000-1-3-6-10-11		2
	□7833 (50.003) Screw 3/8-16 x 1 20th Sr.		2
	371160 Stud 7/16 20th Sr.		1
3.2305	DUST SHIELD, Trans. driving shaft bearings rear cover		
	371767 2000-1-3-6-10-11		1
3.231	GASKET, Driving shaft bearing rear cover		
	367182 20th Sr.		1
3.2315	PLUG, Driving shaft bearing rear cover		
	367183 20th Sr.		1
	20075 Gasket		1
3.232	OIL SEAL ASSEMBLY, Driving shaft bearing		
	•371876 2000-1-3-6-10-11		1
	□302591 2000-1-1A-3A-4-5-7-8-10-11-20-1-3-55		1
3.233	RING, Driving shaft bearing rear retaining		
	300237 20th Sr.		1
3.2335	SNAP RING, Transmission driving shaft bearing rear		
	371861 Std. 2000-1-3-6-10-11		x
	371860 Thin 2000-1-3-6-10-11		x
	371862 Thick 2000-1-3-6-10-11		x
	371863 Extra Thick 2000-1-3-6-10-11		x
3.234	GEAR, Driving shaft first speed clutch and reverse		
	333813 20th Sr.		1
3.235	GEARS & BEARINGS ASSEMBLY, Driving shaft, first and second speed		
	373002 2000-1-3-6-10-11		1
	347704 2001A-3A-4-5-7-8-20-1-3-55		1
	300910 Washer 2001A-3A-4-5-7-8-20-1-3-55		1
3.236	FLANGE, Driving shaft universal joint		
	371813 2000-1-3-6-10-11		1
	302868 2001A-3A-4-5-7-8-21-3		1
	355812 2020		1
3.2365	DUST SHIELD, Transmission driving shaft universal joint flange		
	371815 2000-1-3-6-10-11		1
3.2366	PLUG, Transmission driving shaft universal joint flange		
	371816 2000-1-3-6-10-11		1
3.240	SHIFTER FORK, First speed and reverse gear		
	360436 20th Sr.		1
3.242	SHOE, First speed & reverse gear shifter fork		
	333337 20th Sr.		2
	3868 Washer		2
3.246	PINION ASSEMBLY, Reversing		
	333817 20th Sr.		1
3.247	BUSHING, Reversing pinion		
	300253 20th Sr.		1
3.248	SHAFT, Reversing pinion		
	333573 20th Sr.		1
	5506 (50.220) Lockwasher 3/8		1
	7866 (50.003) Screw 3/8-16 x 5/8		1
	6748 Washer 3/8		1
	4551 Woodruff Key #5		1
3.2485	BALL, Shifter forks detent		
	5079 20th Sr.		2
3.249	SPRING, Shifter forks detent ball		
	360313 20th Sr.		1

INDEX NO.	PART NO.	DESCRIPTION AND MODELS	PER CAR
TRANSMISSION—Continued			
3.2495	BALL SHIFTER FORKS INTERLOCK		
	5079 20th Sr.		2
3.250	SPACER, Shifter forks interlock ball		
	360415 20th Sr.		1
3.251	BRACKET, Shifter forks interlock		
	360427 20th Sr.		1
	4280 (50.240) Cotter pin 1/16 x 1/2		1
	7105 (50.100) Nut 5/16-24		1
	338934 Screw 5/16-24 x 2-3/8		1
	3874 (50.200) Washer 5/16		2
3.252	SHAFT, Shifter fork		
	367579 LHD 20th Sr.		1
	335654 RHD 20th Sr.		2
	333143 Pin		4
3.253	SEAL, Transmission shifter fork shaft		
	330095 20th Sr.		1
3.255	RETAINER, Shifter fork shaft seal		
	330096 20th Sr.		2
3.256	GEAR, Speedometer driving		
	371857 2000-1-3-6-10-11		1
	367114 2001A-3A-4-5-7-8-20-1-3-55		1
	4551 Key #5 2000-1-3-6-10-11		1
3.2565	SNAP RING, Transmission speedometer driving gear		
	371860 Thin 2000-1-3-6-10-11		x
	371861 Medium 2000-1-3-6-10-11		x
	371862 Thick 2000-1-3-6-10-11		x
	371863 Extra Thick 2000-1-3-6-10-11		x
3.257	PINION & SHAFT ASSEMBLY, Speedometer		
	347537 (19 teeth) (4.3 to 1) 2000-1-10-11-20		1
	347538 (20 teeth) (4.55 to 1) 2000-10-20		1
	347536 (18 teeth) (4.1 to 1) 2001-11		1
	347538 (20 teeth) (4.9 to 1) 2001A		1
	347537 (19 teeth) (4.7 to 1) 2001A-3A		1
	354976 (17 teeth) (4.09 to 1) 2003-4-6-7-21-3		1
	347536 (18 teeth) (4.36 to 1) 2003-4-5-6-7-8-21-3-55		1
	354976 (17 teeth) (3.92 to 1) 2003-6-23		1
	347537 (19 teeth) (4.54 to 1) 2003A-5-8-21-30-55		1
3.260	BRAKE & HOUSING ASSEMBLY, Synchronizer		
	360327 20th Sr.		2
3.262	SPRING, Synchronizer brake retainer		
	360324 20th Sr.		3
3.264	COVER, Toe board		
	335229 2004-5-7-8-21-30-55		1
	330142 2020-1-30		1
	6859 (50.300) Screw #14 x 1/2 tapping		x
TRANSMISSION CHANGE SPEED			
3.300	LEVER ASSEMBLY, Steering column idler		
	360364 (Direct and second) LHD 2000-1-3-6-10-11		1
	351213 (Direct and second) LHD 2001A-3A-4-5-7-8-20-1-3-55		1
	360358 (First and reverse) LHD 2000-1-3-6-10-11		1
	351587 (First and reverse) LHD 2001A-3A-4-5-7-8-20-1-3-55		1
	351656 (Direct and second) RHD 2001A-20-1		1
	347662 (Direct and second) RHD 2003A-4-5-7-8-23-55		1
	351658 (First and reverse) RHD 2001A-20-1		1
	347660 (First and reverse) RHD 2003A-4-5-7-8-23-55		1
	4305 (50.240) Cotter pin RHD 2001A-3A-4-5-7-8-20-1-3-55		x
	360373 Spacer 2000-1-3-6-10-11		1
	335227 Spring washer 2001A-20-1		1
	3884 Washer 1/2 RHD 2001A-20-1		2

*Used with Electromatic clutch. 26
 •Two types of Universal joint shafts were used on Models 2000-1-10-11 equipped with EconoDrive (See Universal Joint shaft illustration). Use with "Mechanics Universal" type.
 □Use with "Universal Products" type.



TRANSMISSION SHIFT STEERING COLUMN



STEERING POST SHIFTING LINKAGE

INDEX NO.	PART NO.	DESCRIPTION AND MODELS	PER CAR
TRANSMISSION CHANGE SPEED—Continued			
3.300	LEVER ASSEMBLY, Steering column idler (Cont'd)		
	338736 Washer inner (Direct and second) RHD 2001A-20-1		1
	338559 Washer (Direct and second) RHD 2003A-4-5-7-8-23-55		1
	338560 Washer (First and reverse) RHD 2003A-4-5-7-8-23-55		1
	337569 Washer RHD 2003A-4-5-7-8-23-55		1
3.3003	BEARING, Steering column idler lever		
	354080 (Direct and second) LHD 2001A-3A-4-5-7-8-20-1-3-55		2
3.301	BUSHING, Steering column idler lever hub		
	335866 20th Sr.		x
3.302	WASHER, Steering column idler lever hub friction		
	333761 20th Sr.		1
3.303	SHAFT ASSEMBLY, Steering column idler lever		
	347670 RHD 2003A-4-5-7-8-23-55		1
3.3031	SHAFT, Steering column gear shift idler lever		
	371532 2000-1-3-6-10-11		1
	354069 LHD 2001A-3A-4-5-7-8-20-1-3-55		1
	338662 (Direct and second) RHD 2001A-20-1		1
	335665 (First and reverse) RHD 2001A-20-1		1
	333145 RHD 2003A-4-5-7-8-23-55		1
	4292 (50.240) Cotter pin 3/32 x 7/8 2000-1-3-6-10-11		1
	5506 (50.220) Lockwasher 3/8 2001A-3A-4-5-7-8-20-1-3-55		x
	7188 (50.110) Nut 1/2-20 2000-1-3-6-10-11		1
	6902 Nut 3/8-24 LHD 2001A-3A-4-5-7-8-20-1-3-55		1
	7006 (50.100) Nut 3/8-24 2001A-3A-4-5-7-8-20-1-3-55		1
	3884 Washer 2000-1-3-6-10-11		1
3.3032	SHAFT & BOOSTER ASSEMBLY, Steering column idler lever		
	354081 LHD 2001A-3A-4-5-7-8-20-1-3-55		1
3.3033	SPRING, Steering column idler lever shaft & booster		
	351661 (Direct and second) LHD 2001A-3A-4-5-7-8-20-1-3-55		1
3.3034	BRACKET ASSEMBLY, Steering column idler lever shaft & booster spring		
	354067 (Direct and second) LHD 2001A-3A-4-5-7-8-20-1-3-55		1
3.3035	BRACKET, Steering column idler lever shaft & booster spring		
	354068 (Direct and second) LHD outer 2001A-3A-4-5-7-8-20-1-3-55		1
3.3036	LINK, Steering column idler lever shaft & booster spring		
	351659 (Direct and second) LHD 2001A-3A-4-5-7-8-20-1-3-55		1
3.3037	PIN, Steering column idler lever shaft & booster spring		
	354065 (Direct and second) LHD 2001A-3A-4-5-7-8-20-1-3-55		1
	6902 (50.120) Nut 3/8-24 LHD		1
	6781 Washer 1/8 x 25/64 x 13/16 LHD		2
3.304	SPRING, Steering column idler lever shaft		
	338665 (Direct and second) RHD 2001A-20-1		1
3.3045	TIE ROD, Steering column gear shift idler lever shaft		
	373454 LHD 2000-1-10-11		1
	360386 LHD 2003-6		1
	360386 RHD 2000-1-10-11		1
	4290 (50.240) Cotter pin 3/32 x 5/8		1

INDEX NO.	PART NO.	DESCRIPTION AND MODELS	PER CAR
TRANSMISSION CHANGE SPEED—Continued			
3.3045	TIE ROD, Steering column gear shift idler lever shaft (Cont'd)		
	7191 (50.240) Cotter pin 1/16 x 7/16		1
	330344 Spring washer 5/16		1
	338405 Washer 5/16		1
3.3046	SUPPORT ASSEMBLY, Steering column gear shift idler lever shaft		
	373364 LHD 2000-1-3-6-10-11		1
	378428 RHD 2000-1-10-11		1
	5506 (50.220) Lockwasher 3/8		2
	7244 (50.003) Screw 3/8 - 16 x 7/8		2
3.3047	LUBRICATOR CONNECTOR, Steering column gear shift idler lever shaft support		
	302739 2000-1-3-6-10-11		1
3.305	ROD ASSEMBLY, Steering column gear shift idler lever (to transmission)		
	367639 (Direct and second) LHD 2001A-21		1
	367550 (Direct and second) LHD 2003A-4-5-7-8-23-55		1
	367641 (Direct and second) LHD 2020		1
	367683 (First and reverse) LHD 2001A-3A-4-5-7-8-21-3-55		1
	367697 (First and reverse) LHD 2020		1
3.306	ROD, Steering column idler lever (to trans.)		
	360363 (Direct and second) LHD 2000-1-10-11		1
	367638 (Direct and second) LHD 2001A-21		1
	360387 (Direct and second) LHD 2003-6		1
	367549 (Direct and second) LHD 2003A-4-5-7-8-23-55		1
	367640 (Direct and second) LHD 2020		1
	360360 (First and reverse) LHD 2000-1-10-11		1
	367682 (First and reverse) LHD 2001A-3A-4-5-7-8-21-3-55		1
	360381 (First and reverse) LHD 2003-6		1
	367696 (First and reverse) LHD 2020		1
	378566 (Direct and second) RHD 2000-1-10-11		1
	335697 (Direct and second) RHD 2001A-21		1
	347665 (Direct and second) RHD 2003A-4-5-7-8-23-55		1
	335750 (Direct and second) RHD 2020		1
	378568 (First and reverse) RHD 2000-1-10-11		1
	335666 (First and reverse) RHD 2001A-21		1
	347663 (First and reverse) RHD 2003A-4-5-7-8-23-55		1
	335722 (First and reverse) RHD 2020		1
	4290 (50.240) Cotter pin 3/32 x 5/8 20th Sr.		x
	4289 (50.240) LHD Cotter pin 3/32 x 1/2 2001A-3A-4-5-7-8-20-1-3-55		1
	330344 Spring washer 5/16 LHD 20th Sr.		x
	3874 (50.200) Washer 5/16 2000-1-3-6-10-11		2
	338405 LHD Washer 5/16 2001A-3A-4-5-7-8-20-1-3-55		x
3.3085	YOKE END, Steering column idler lever (to transmission) rod		
	242077 (5/16 adjustable) LHD 2001A-3A-4-5-7-8-20-1-3-55		2
	7005 (50.100) Nut 5/16-24		2
	7525 Pin 5/16		2
	190291 Spring washer 5/16		2
	338406 Washer 5/16		4
3.3088	SEAL, Steering column gear shift idler lever		
	373387 2000-1-3-6-10-11		2
3.309	SPRING, Steering column idler lever		
	338555 2003A-4-5-7-8-23-55		1
3.310	LEVER, Steering column gear shift		
	373429 (Chrome) 2000-1-3-6-10-11		1
	379866 (Paint) 2000-1-3-6-10-11		1
	377535 LHD 2001A-3A-4-5-7-8-20-1-3-55		1
	348709 RHD 2001A-3A-4-5-7-8-20-1-3-55		1
	4290 (50.240) Cotter pin 3/32 x 5/8		1
	335594 Pin		1
	330344 Washer 5/16		1

*Used on Clipper four door sedans built after Jan. 1, 1942 only. All other body types have chrome trim.

INDEX NO.	PART NO.	DESCRIPTION AND MODELS	PER CAR
TRANSMISSION CHANGE SPEED—Continued			
3.311	BOOT, Steering column lever		
	377456 (Tan) 2000-1-1A-3-3A-4-5-7-8-10-11-55	1	
	382349 (Tan) 2006	1	
	377995 (Black) 2020-1-3	1	
	364202 (Blue Gray) 2020-1-3	1	
	364203 (Green Gray) 2020-1-3-30	1	
	364557 (Tan) 2020-1-3	1	
3.3125	HOUSING, Steering column lever		
	330922 20th Sr.	1	
3.313	BRACKET, Steering column lever housing		
	356657 RHD 2001-3A-4-5-11-20-1-3-55	1	
	378389 RHD 2007-8	1	
3.314	KNOB, Steering column lever		
	377996 (Brown) 2000-1	1	
	377982 LHD (Gray) 2001A-3-3A-4-5-6-55	1	
	378337 LHD (Brown) 2007-8	1	
	378333 (Blue) 2010-1	1	
	378334 LHD (Blue) 2020-1-3	1	
	377996 LHD (Brown) 2020-1-3	1	
	378335 LHD (Green) 2020-1-3-30	1	
	378336 LHD (Maroon) 2020-1-3	1	
	377997 RHD (Gray) 2001A-3A-4-5	1	
	377999 RHD (Brown) 2007-8	1	
	364191 RHD (Blue) 2020-1-3	1	
	378026 RHD (Brown) 2020-1-3	1	
	364193 RHD (Green) 2020-1-3	1	
	358585 RHD (Maroon) 2020-1-3	1	
3.315	TRIM RING, Steering column lever knob		
	348098 RHD (Chrome) 2001A-3A-4-5-7-8-20-1-3-55	1	
3.316	SELECTOR, Steering column		
	333151 20th Sr.	1	
3.3165	PIN, Steering column selector		
	333154 20th Sr.	1	
3.317	ROD ASSEMBLY, Steering column selector		
	373430 LHD 2000-1-10-11	1	
	330930 LHD (Not used on 1532-50-70-90) 2001A-3A-4-5-8-20-1-3-55	1	
	373431 LHD 2003-6	1	
	358320 LHD (Use on bodies 1532-50-70-90) 2005-7-8-55	1	
	378727 RHD 2000-1-10-11	1	
	335751 RHD 2001A-20-1	1	
	347667 RHD 2003A-4-5-7-8-23-55	1	
3.319	BUMPER, Steering column gear shift selector rod		
	341023 20th Sr.	3	
3.320	PLUG, Steering column selector rod end		
	330935 Large 20th Sr.	1	
	330921 Small 20th Sr.	1	
3.321	PLUNGER, Steering column selector rod end		
	330936 20th Sr.	1	
3.322	SPRING, Steering column selector rod and plunger		
	330937 20th Sr.	1	
3.323	SPRING, Steering column selector rod		
	333201 20th Sr.	1	
3.324	RETAINER, Steering column selector rod spring		
	333204 20th Sr.	1	
	4306 (50.240) Cotter pin 1/8 x 1	1	
3.325	SHAFT & HOUSING ASSEMBLY, Steering column gear shift		
	377985 LHD 2000-1-10-11	1	
	364524 LHD (Tan) 2001A-3A-4-5	1	
	373403 LHD (Green Gray) 2020-1-3-30	1	
	358268 LHD (Tan) 2007-8	1	
	378360 LHD (Blue Gray) 2020-1-3	1	

INDEX NO.	PART NO.	DESCRIPTION AND MODELS	PER CAR
TRANSMISSION CHANGE SPEED—Continued			
3.325	SHAFT & HOUSING ASSEMBLY, Steering column gear shift (Cont'd)		
	378396 LHD (Chrome & tan) (Not used on 1542-51) 2007-8	1	
	378395 LHD (Chrome & tan) (Use on bodies 1542-51) 2007-8	1	
	378496 LHD (Black) 2020-1-3	1	
	364510 LHD (Blue Gray) 2020-1-3	1	
	364513 LHD (Green Gray) 2020-1-3-30	1	
	364524 LHD (Tan) 2020-1-3	1	
	364524 LHD (Tan) (Use on body 1591) 2055	1	
	358268 LHD (Tan) (Use on body 1590) 2055	1	
	378730 RHD 2000-1-10-11	1	
	364525 RHD 2001A	1	
	364526 RHD (Tan) 2003A-4-5	1	
	378397 RHD (Chrome & tan) 2007-8	1	
	364511 RHD (Blue Gray) 2020-1	1	
	378497 RHD (Black) 2020-1	1	
	364514 RHD (Green Gray) 2020-1	1	
	364525 RHD (Tan) 2020-1	1	
	378498 RHD (Black) 2023	1	
	364512 RHD (Blue Gray) 2023	1	
	364515 RHD (Green Gray) 2023	1	
	364526 RHD (Tan) 2023	1	
3.3255	BEARING, Steering column gear shift shaft		
	364522 20th Sr.	1	
3.326	BRACKET, Steering column shaft		
	373457 20th Sr.	1	
3.327	CLAMP, Steering column shaft bracket		
	333018 20th Sr.	1	
	5502 (50.220) Lockwasher 1/4	2	
	7004 (50.100) Nut 1/4-28	2	
3.328	LEVER, Steering column shaft		
	360417 (First and reverse) (Steel) 2000-1-3-6-10-11.	1	
	360425 (First and reverse) (Steel) 2001A-3A-4-5-7-8-20-1-3-55	1	
	309841 Washer	x	
3.329	LEVER, Steering column shaft		
	360419 (Direct and second) (Steel) 2000-1-3-6-10-11.	1	
	360426 (Direct and second) (Steel) 2001A-3A-4-5-7-8-20-1-3-55	1	
	371825 Washer	1	
3.3291	BUSHING, Steering column gear shift shaft lever		
	364522 (Direct and second) 2000-1-3-6-10-11	2	
	373424 (First and reverse) 2000-1-3-6-10-11	1	
3.3295	BRACKET, Steering column shaft (second & direct) lever anti-shake		
	364471 LHD 2001A-3A-4-5-7-8-20-1-3-55	1	
	364472 Bolt LHD	1	
	5500 (50.220) Lockwasher #10 LHD	2	
	7169 (50.120) Nut 1/4-28 LHD	x	
	7588 Screw #10-32 x 3/8 LHD	2	
	6757 (50.200) Washer #10 LHD	2	
3.3298	RETAINING RING, Steering column shaft lever		
	324007 (First and reverse) 20th Sr.	1	
	333171 (Second and direct) 20th Sr.	1	
3.330	ROD, Steering column shaft lever (to idler lever)		
	360372 LHD (Outer) (Bent) 2000-1-3-6-10-11	1	
	371521 LHD (Outer) (Not bent) 2000-1-3-6-10-11	1	
	335509 Lower 2001A-20-1	2	
	335510 LHD Upper 2001A-3A-4-5-7-8-21-3-55	2	
	335511 Upper 2020	2	
	378813 RHD (Inner) 2000-1-10-11	2	
	4290 (50.240) Cotter pin 3/32 x 5/8	x	
	3874 (50.200) Washer 5/16	x	

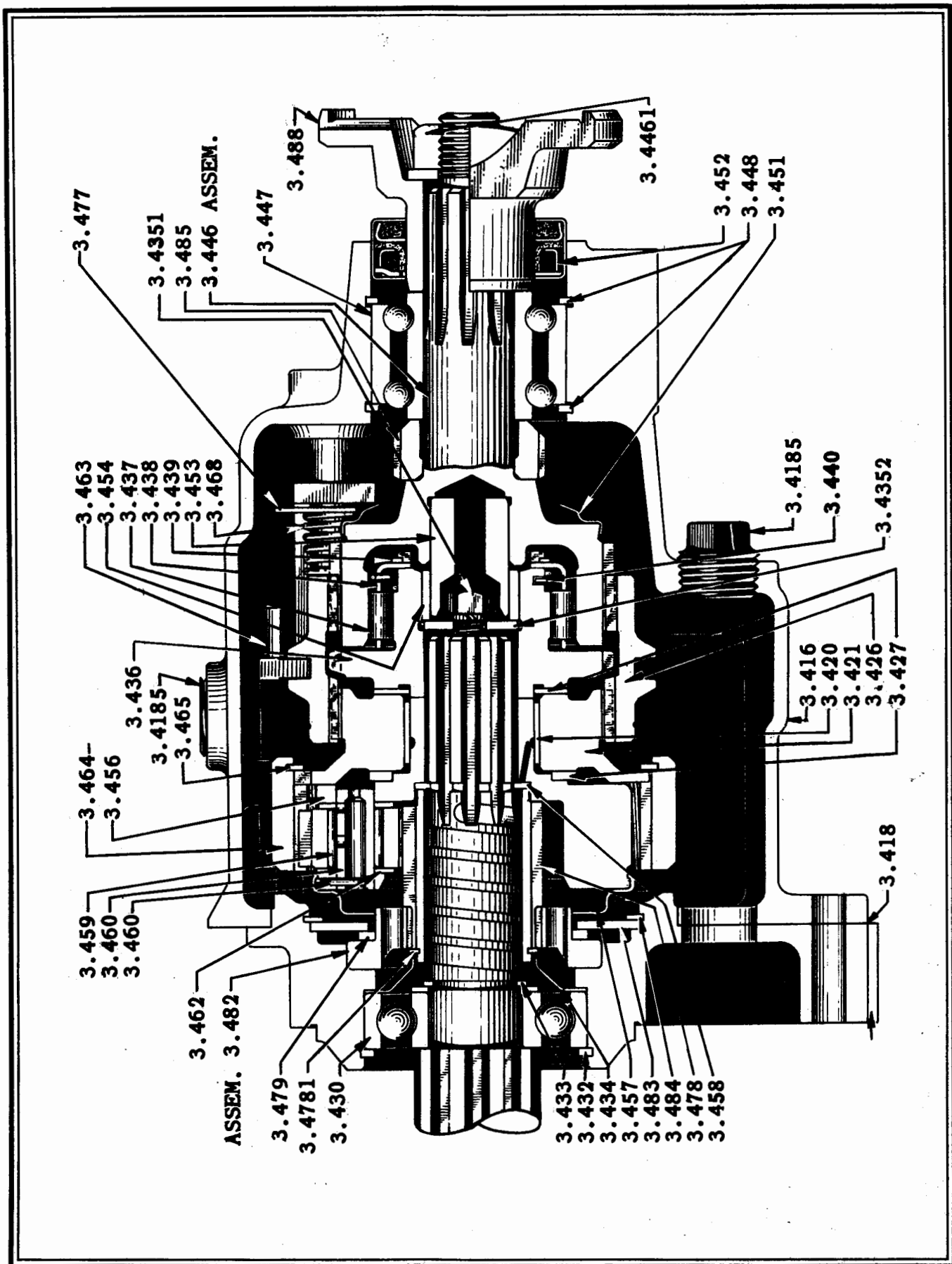
INDEX NO.	PART NO.	DESCRIPTION AND MODELS	PER CAR
TRANSMISSION CHANGE SPEED—Continued			
3.331	ROD	Steering column shaft lever (to idler lever) (first and reverse)	
	360374 LHD (Inner)	2000-1-10-11	1
	360377 LHD (Inner)	2003-6	1
	335604 LHD (Lower)	2003A-4-5-7-8-23-55	1
	378814 RHD (Outer)	2000-1-10-11	1
	335660 RHD (Lower)	2001A-21	1
	335885 RHD (Upper)	2001A-21	1
	347669 RHD (Lower)	2003A-4-5-7-8-23-55	1
	347708 RHD (Upper)	2003A-4-5-7-8-23-55	1
	335681 RHD (Lower)	2020	1
3.332	ROD	Steering column shaft lever (to idler lever) (direct and second)	
	360370 LHD (Inner)	2000 1-10-11	1
	360390 LHD (Inner)	2003-6	1
	335603 LHD (Lower)	2003A-4-5-7-8-23-55	1
	378815 RHD (Outer)	2000-1-10-11	1
	335646 RHD (Lower)	2001A-21	1
	347664 RHD (Lower)	2003A-4-5-7-8-23-55	1
	347709 RHD (Upper)	2003A-4-5-7-8-23-55	1
	335709 RHD (Lower)	2020	1
	338405 Washer RHD	2003A-4-5-7-8-23-55	1
3.3325	SHIM	Steering column shaft lever	
	371827 (First and Reverse) (.005)	20th Sr.	x
	371826 (First and Reverse) (.015)	20th Sr.	x
	371520 (First and Reverse) (.035)	20th Sr.	x
3.333	TURNBUCKLE	Steering column shaft lever (to idler level) rod	
	335512	20th Sr.	2
	335513	Lock nut (RH thd)	2
	335514	Lock nut (LH thd)	2
3.334	SPRING	Steering column shaft anti-rattler	
	377870 LHD	20th Sr.	1
	364516 RHD	20th Sr.	1
3.3341	PLUG	Steering column shaft anti-rattler spring	
	338043	20th Sr.	1
3.346	LEVER	Direct drive and second speed shifter	
	367539 LHD	20th Sr.	1
	335645 RHD	20th Sr.	1
	5504 (50.220)	Lockwasher 5/16	1
	7828 (50.003)	Screw 5/16-24 x 1-1/8	1
3.3465	BUSHING	Direct drive and second speed shifter lever insulator	
	360432 LHD	20th Sr.	1
3.3466	PIN	Direct drive and second speed shifter lever	
	371171 LHD	2020-1-3	1
	4289	Cotter pin 3/32 x 1/2	1
3.347	LEVER	First speed and reverse shifter	
	367695 LHD	20th Sr.	1
	335657 RHD	20th Sr.	1
	5504 (50.220)	Lockwasher 5/16	1
	7828 (50.003)	Screw 5/16-24 x 1-1/8	1
3.348	BUSHING	First speed and reverse shifter lever insulator	
	360432	20th Sr.	1

TRANSMISSION ECONO-DRIVE

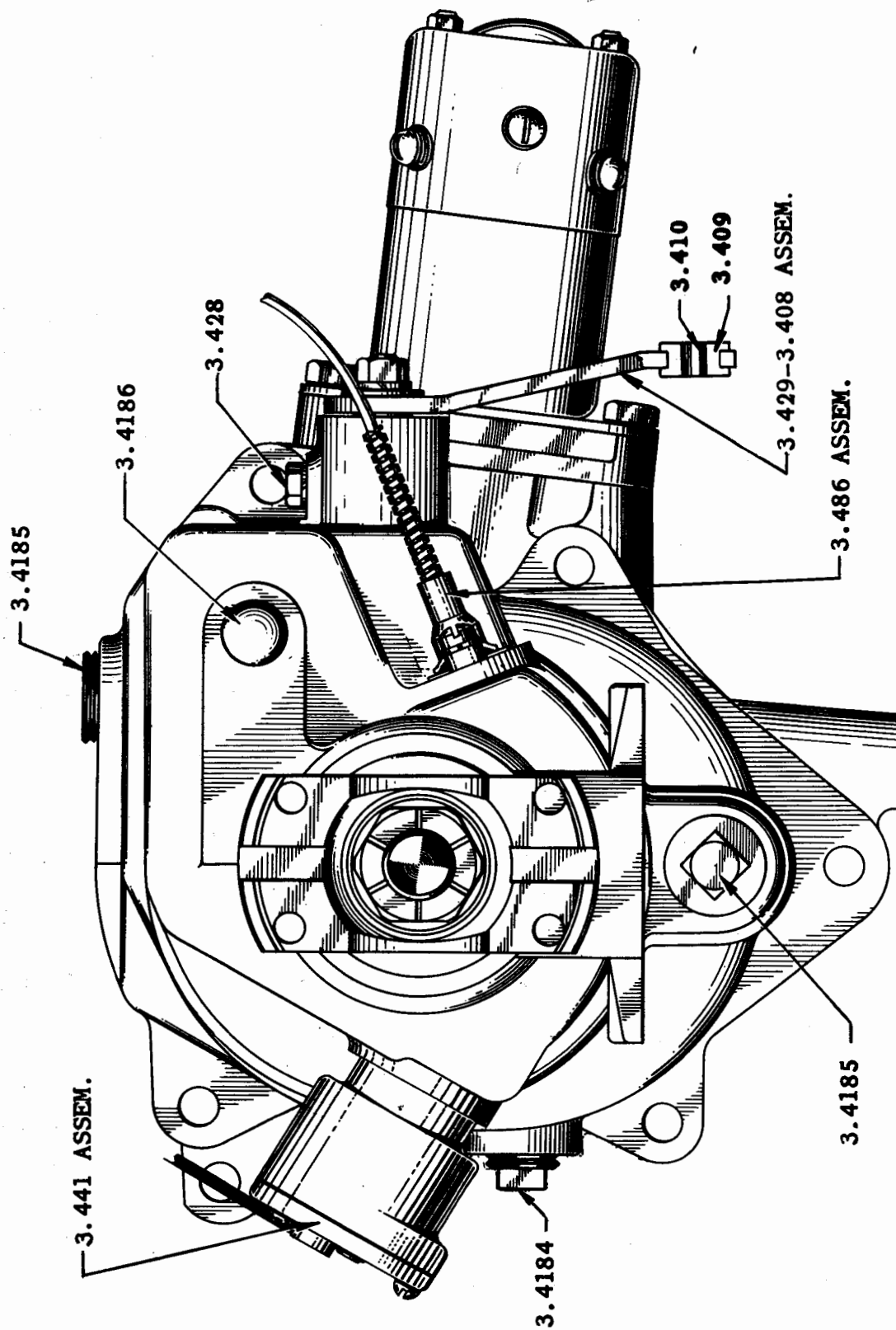
3.400	TRANSMISSION AND ECONO-DRIVE ASSEMBLY		
	901143 LHD	2000-1-1A-10-11-21	1
	901147 LHD	2003-3A-4-5-6-7-8-23	1
	901148 LHD	2020	1
	901149 RHD	2000	1
	901150 RHD	2001	1
	901151 RHD	2001A-21	1
	901152 RHD	2003A-4-5-7-8-23	1
	901153 RHD	2020	1

INDEX NO.	PART NO.	DESCRIPTION AND MODELS	PER CAR
TRANSMISSION ECONO-DRIVE—Continued			
3.400	TRANSMISSION AND ECONO-DRIVE ASSY.	(Continued)	
	237673	Gasket (long drilled head screw)	2
	5506 (50.220)	Lockwasher 3/8	3
	120813	Lockwire (10" long)	1
	6641 (50.003)	Screw 3/8-16 x 2-1/2"	1
	338278	Screw (long) (drilled head)	2
	6896 (50.003)	Screw (short) 3/7-16 x 2"	2
	3877 (50.200)	Washer 3/8"	2
3.401	CASE	Transmission	
	367590	20th Sr.	1
	5510 (50.220)	Lockwasher 1/2	1
	6897 (50.003)	Screw 1/2-13 x 1-7/8 (to housing)	5
3.4015	COVER ASSEMBLY	Transmission case	
	379015 LHD	20th Sr.	1
	360449 RHD	20th Sr.	1
3.402	GASKET	Case (to econo-drive assembly)	
	333694	20th Sr.	1
3.403	GEARS AND BEARINGS ASSY.	Driving shaft, first and second speed.	
	354954 (Supers 354956)	20th Sr.	1
3.404	CABLE ASSEMBLY	Lockout	
	373473	2000-1-3-10-11	1
	364944 LHD	2001A-3A-4-5-55	1
	378437	LHD 2006	1
	379204	LHD 2007-8	1
	378295	LHD (Black) 2020-1-3	1
	364945 LHD	(Blue gray) 2020-1-3	1
	364946 LHD	(Green gray) 2020-1-3	1
	364944 LHD	(Tan) 2020-1-3	1
	364947 RHD	(Tan) 2001A-3A-4-5-55	1
	379206 RHD	(Brown) 2007-8	1
	378297 RHD	(Black) 2020-1-3	1
	364948 RHD	(Blue gray) 2020-1-3	1
	364949 RHD	(Green gray) 2020-1-3	1
	364947 RHD	(Tan) 2020-1-3	1
	4290 (50.240)	Cotter pin	1
	5502 (50.220)	Lockwasher 1/4 std. 2000-1-3-6-10-11	2
	7004 (50.100)	Nut 1/4-28	x
	362839	Nut 5/16-24 2001A-3A-4-5-7-8-20-1-3-55	1
	7700 (50.004)	Screw 1/4-28 x 5/8 2000-1-3-6-10-11	2
	7525	Yoke end pin	1
	333722	Yoke end 1/3	1
3.4045	KNOB	Lockout cable assembly	
	373570 (Brown)	2000-1-20-1-3	1
	377942 (Gray)	2001A-3-3A-4-5-6-7-8-55	1
	378283 (Brown)	2007-8	1
	378433 (Blue)	2010-1	1
	364928 (Blue)	2020-1-3	1
	364930 (Green)	2020-1-3	1
	364927 (Maroon)	2020-1-3	1
3.405	BRACKET	Lockout cable	
	373740	2000-1-3-6-10-11	1
	338205 LHD	2001A-3A-4-5-7-8-20-1-3-55	1
	338151 RHD	2001A-20-1	1
	302456 "U" Bolt	(Not used on 2001A-3-6-20-1 RHD) 20th Sr.	1
	338152 "U" Bolt	RHD 2001A-20-1	1
	5502 (50.220)	Lockwasher 1/4	2
	7004 (50.100)	Nut 1/4-28	2
	7249 (50.003)	Screw 1/4-28 x 3/4	2
3.406	CLIP	Lockout cable	
	338407 RHD	(To brake master cylinder) 2003A-4-5-7-8-23-55	1
	335438 RHD	(To dash) 2003A-4-5-7-8-23-55	1
3.408	LEVER ASSEMBLY	Lockout control	
	347571	20th Sr.	1

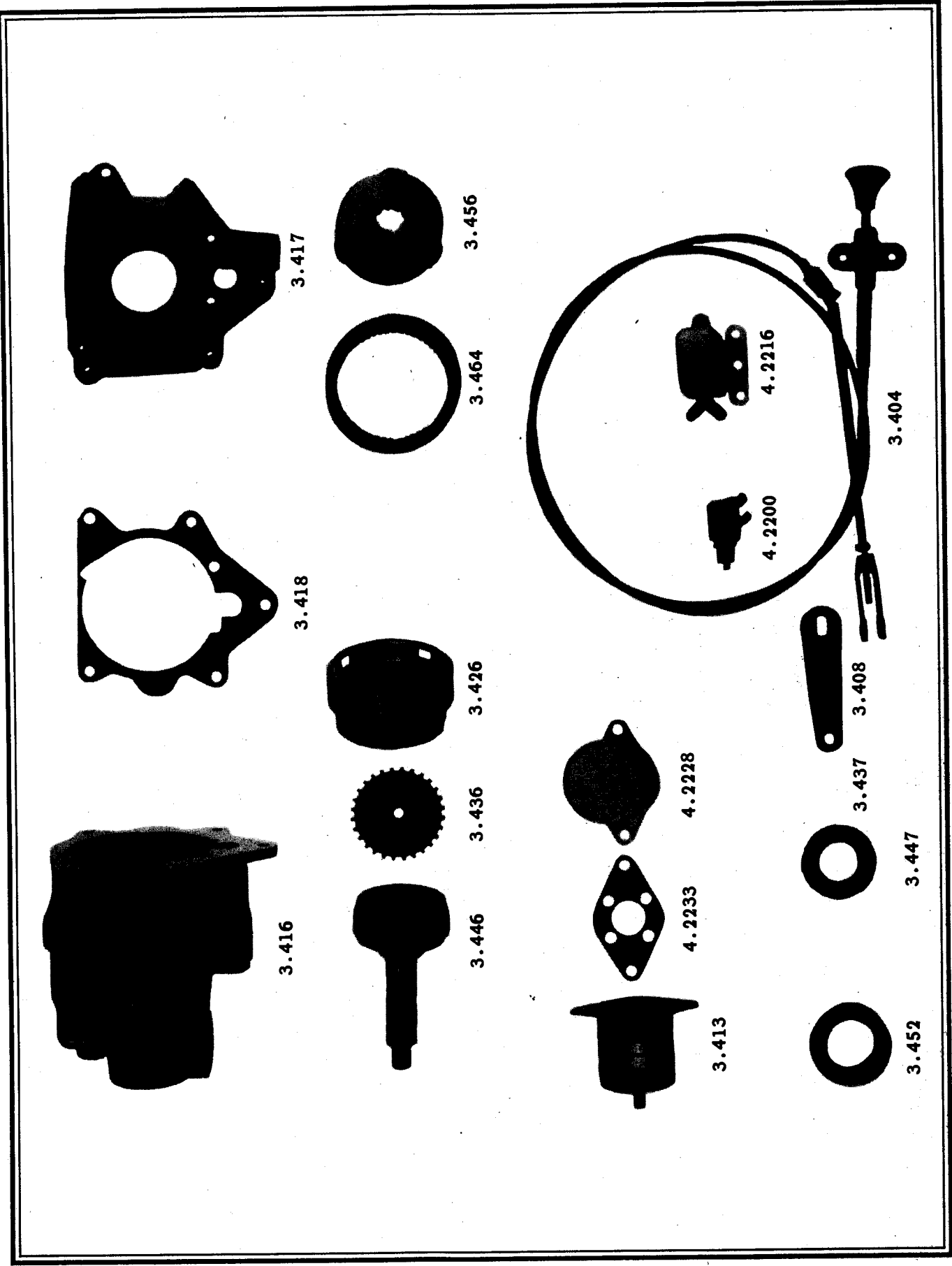
INDEX NO.	PART NO.	DESCRIPTION AND MODELS	PER CAR	INDEX NO.	PART NO.	DESCRIPTION AND MODELS	PER CAR
TRANSMISSION ECONO-DRIVE—Continued				TRANSMISSION ECONO-DRIVE—Continued			
3.409	BUSHING, Lockout control lever			3.430	BEARING, Unit driving shaft		
	333146 20th Sr.		1		338730 20th Sr.		1
3.410	SPACER, Lockout control lever bushing				338496 Washer		1
	333181 20th Sr.		1	3.432	RETAINING RING, Unit driving shaft bearing		
3.411	PLUNGER, Lockout				338472 (Std.) 20th Sr.		x
	347609 20th Sr.		1		338473 (Medium) 20th Sr.		x
3.413	INSULATOR ASSEMBLY, Support				338474 (Thick) 20th Sr.		x
	333790 20th Sr.		1		338475 (Extra thick) 20th Sr.		x
	7383 (50.003) Bolt 5/16-24 x 1		2	3.433	SNAP RING, Unit driving shaft bearing (rear)		
	5504 (50.220) Lockwasher 5/16		2		338458 (Thin) 20th Sr.		x
	5506 (50.220) Lockwasher 3/8		1		338459 (Medium) 20th Sr.		x
	7005 (50.100) Nut 5/16-24		2		338460 (Thick) 20th Sr.		x
	7006 (50.100) Nut 3/8-24		1		338461 (Extra thick) 20th Sr.		x
	126770 Washer 2000-1-3-6		1	3.434	BAFFLE, Unit driving shaft oil		
	300129 Washer 2001A-3A-4-5-7-8-20-1-3		1		338491 20th Sr.		1
3.414	SHIM, Transmission econo-drive support insulator			3.435	CAM AND BUSHING ASSEMBLY, Unit free wheel		
	335022 20th Sr.		2		338855 2000-1-1A-10-11-20-1		1
3.415	SPACER, Support insulator				347590 2003-3A-4-5-6-7-8-23-55		1
	335127 20th Sr.		1	3.4351	SCREW, Unit free wheel cam retaining		
3.416	CASE, Transmission econo-drive unit				338524 (3/8-24 x 1) 20th Sr.		1
	367002 2000-1-1A-10-11-20-1		1		5506 (50.220) Lockwasher 3/8		1
	367003 2003-3A-4-5-6-7-8-23-55		1	3.4352	WASHER, Unit free wheel cam retaining screw		
	5506 (50.220) Lockwasher 3/8		2		338502 20th Sr.		1
	7833 (50.003) Screw 3/8-16 x 1		2	3.436	RETAINER ASSEMBLY, Unit free wheeling cam & roller		
3.417	ADAPTER, Unit case				338645 2000-1-1A-10-11-20-1		1
	347550 LHD 20th Sr.		1		347589 2003-3A-4-5-6-7-8-23-55		1
	347551 RHD 20th Sr.		1	3.437	ROLLER, Unit free wheel		
3.418	GASKET, Unit case				338457 2000-1-1A-10-11-20-1		12
	347638 LHD 20th Sr.		1		347579 2003-3A-4-5-6-7-8-23-55		12
	355020 RHD 20th Sr.		1	3.438	RETAINER, Unit free wheel roller		
3.4184	PLUG, Unit case filler				338487 2000-1-1A-10-11-20-1		1
	6099 (50.720) (1/2-14 sq. hd. pipe) 20th Sr.		1		347580 2003-4-5-6-7-8-23-55		1
3.4185	PLUG, Unit case			3.439	SNAP RING, Unit free wheel roller retainer		
	338522 (3/4-14 headless pipe) 20th Sr.		1		338485 20th Sr.		1
	338521 (3/4-14 sq. hd. pipe) 20th Sr.		1	3.440	SPRING, Unit free wheel roller retainer		
3.4186	PLUG, Unit case shift rail hole				338449 20th Sr.		2
	338826 (11/16 welsh) 20th Sr.		1	3.441	GOVERNOR ASSEMBLY, Unit		
3.420	HUB, Unit clutch				364782 20th Sr.		1
	347606 2000-1-1A-10-11-20-1		1	3.442	BOOT, Governor		
	347765 2003-3A-4-5-6-7-8-23-55		1		354687 20th Sr.		1
3.421	BUSHING, Unit clutch hub			3.443	PINION, Unit governor		
	347746 20th Sr.		1		347500 20th Sr.		1
3.426	SLEEVE, Unit clutch			3.444	SLEEVE, Unit governor pinion		
	347608 20th Sr.		1		347650 20th Sr.		1
3.427	THRUST WASHER, Unit clutch			3.445	SNAP RING, Unit governor pinion		
	362821 Front 20th Sr.		1		347532 20th Sr.		1
	347607 Rear 20th Sr.		1	3.4455	SWITCH AND COVER ASSY., Trans. E.D. unit governor		
3.4275	SPRING, Trans. econo-drive unit clutch				367679 20th Sr.		1
	371251 Front (thrust washer) 20th Sr.		1	3.4456	GASKET, Trans. E.D. unit governor		
3.428	SHAFT, Unit control				355034 20th Sr.		1
	355030 20th Sr.		1	3.446	SHAFT ASSEMBLY, Unit main		
	5502 (50.220) Lockwasher 1/4		1		338494 2000-1-1A-10-11-20-1		1
	338495 Screw		1		347577 2003-3A-4-5-6-7-8-23-55		1
	6359 (50.200) Washer		1	3.4461	NUT, Unit shaft assembly		
3.429	LEVER, Unit control shaft				373443 (50.120) (3/4-16 hex.) 20th Sr.		1
	347570 20th Sr.		1	3.447	BEARING, Unit main shaft		
	7150 (50.220) Lockwasher 5/16		1		347572 20th Sr.		1
	7305 (50.100) Nut 5/16-18		1				
3.4295	OIL SEAL, Trans. econo-drive unit control shaft						
	338448 20th Sr.		1				



ECONO-DRIVE UNIT



ECONO-DRIVE UNIT, REAR VIEW



TRANSMISSION ECONO-DRIVE PARTS

CLUTCH AND TRANSMISSION

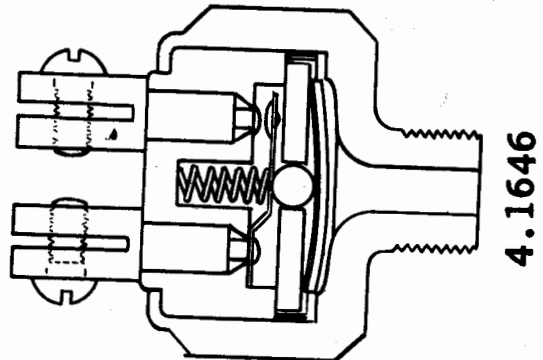
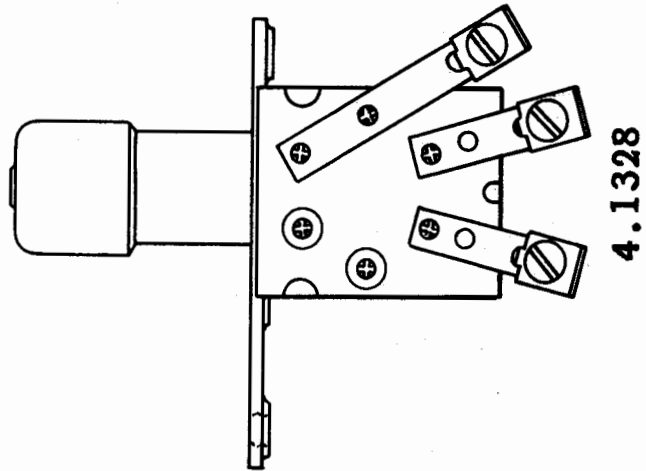
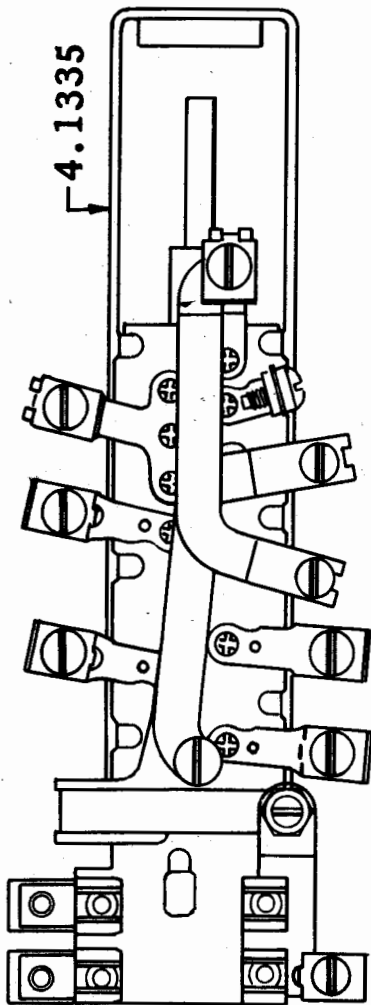
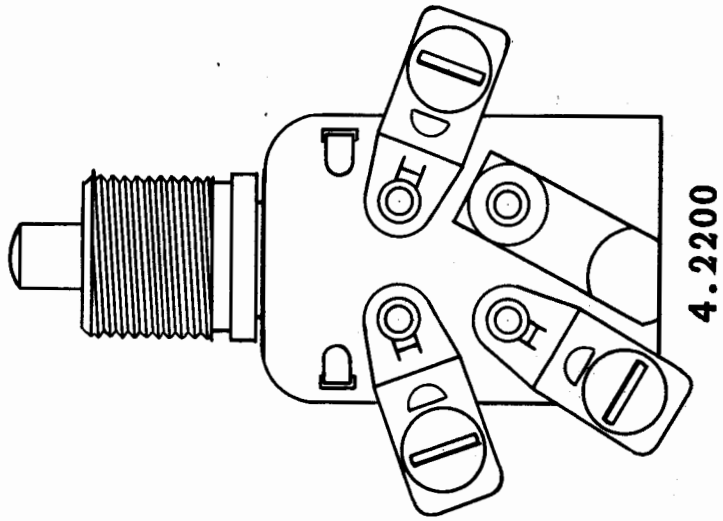
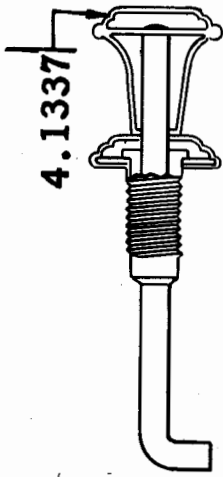
INDEX NO.	PART NO.	DESCRIPTION AND MODELS	PER CAR
TRANSMISSION ECONO-DRIVE—Continued			
3.448		SNAP RING, Unit main shaft bearing	
	347573	Front 20th Sr.	1
	347574	(Heavy) Rear 20th Sr.	x
	347575	(Extra heavy) Rear 20th Sr.	x
	347573	(Light) Rear 20th Sr.	x
	347652	(Medium) Rear 20th Sr.	x
3.451		RING, Unit main shaft oil collector	
	338492	20th Sr.	1
3.452		OIL SEAL, Unit main shaft	
	333546	20th Sr.	1
3.453		PILOT, Unit main shaft	
	338483	20th Sr.	1
3.454		BUSHING, Unit main shaft pilot	
	338798	20th Sr.	1
3.456		CAGE ASSEMBLY, Unit pinion	
	338514	2000-1-1A-10-11-20-1	1
	347576	2003-3A-4-5-6-7-8-23-55	1
3.457		RING, Unit pinion cage oil collector	
	338484	20th Sr.	1
3.458		SNAP RING, Unit pinions cage retaining	
	338456	20th Sr.	1
3.459		ROLLER, Unit pinion	
	338453	2000-1-1A-10-11-20-1	57
	338453	2003-3A-4-5-6-7-8-23-55	76
3.460		SHAFT, Unit pinion	
	338471	2000-1-1A-10-11-20-1	3
	338471	2003-3A-4-5-6-7-8-23-55	4
	338452	Pin 2000-1-1A-10-11-20-1	3
	338452	Pin 2003-3A-4-5-6-7-8-23-55	4
3.462		THRUST WASHER, Unit pinion	
	347716	2000-1-1A-10-11-20-1	6
	347716	2003-3A-4-5-6-7-8-23-55	8
3.463		PLUNGER, Unit reverse lockup	
	364986	20th Sr.	1
3.4631		SPRING, Unit reverse lockout plunger	
	360410	20th Sr.	1
	364987	Washer	1
3.464		RING GEAR, Unit	
	338511	20th Sr.	1
3.465		SNAP RING, Unit ring gear	
	338481	(Medium) 20th Sr.	x
	338480	(Thin) 20th Sr.	x
	338482	(Thick) 20th Sr.	x
3.466		FORK, Unit shift	
	355029	20th Sr.	1
	338525	Lockwasher 5/16	1
	338465	Screw	1
3.468		SPRING, Unit shift fork retractor	
	347976	20th Sr.	1
3.469		RAIL, Unit shaft	
	347975	LHD 20th Sr.	1
	355048	RHD 20th Sr.	1
	5506	Lockwasher	1
	355185	Stop screw	1
3.470		BAFFLE ASSY., Unit shift rail interlock fulcrum and oil	
	347838	RHD 20th Sr.	1
3.471		LEVER, Unit shift rail interlock	
	347840	RHD 20th Sr.	1

INDEX NO.	PART NO.	DESCRIPTION AND MODELS	PER CAR
TRANSMISSION ECONO-DRIVE—Continued			
3.472		SPRING, Unit shift rail interlock lever	
	347877	RHD 20th Sr.	1
3.473		PLUNGER, Unit shift rail interlock	
	347745	20th Sr.	1
	347841	RHD (Long) 20th Sr.	1
3.478		GEAR, Unit stationary	
	367086	20th Sr.	1
3.479		RING, Unit stationary gear balk	
	367884	20th Sr.	1
3.480		PAWL, Unit stationary gear	
	347568	20th Sr.	1
3.482		PLATE ASSEMBLY, Unit stationary gear	
	371207	20th Sr.	1
3.483		COVER, Unit stationary gear plate	
	347639	20th Sr.	1
3.484		SNAP RING, Unit stationary gear plate cover	
	338488	20th Sr.	1
3.485		GEAR, Speedometer driving (used with all ratios)	
	333426	(Not used on 2020) 20th Sr.	1
	0367114	2000-1-10-11-20	1
3.486		PINION AND SHAFT ASSEMBLY, Speedometer	
	347538	(20 teeth) (4.55 to 1) 2000-10-20	1
	347537	(19 teeth) (4.3 to 1) 2001-11	1
	347537	(19 teeth) (4.9 to 1) 2001A	1
	347538	(20 teeth) (4.9 to 1) 2001A	1
	347538	(20 teeth) (5.22 to 1) (Use with 7.50-16 tires) 2001A	1
	354976	(17 teeth) (4.09 to 1) 2003-6-23	1
	347536	(18 teeth) 4.7 to 1) (Use with 7.50 x 16 tires) 2003A	1
	347537	(19 teeth) (4.7 to 1) (Use with 7.00 x 16 tires) 2003A	1
	347536	(18 teeth) (4.36 to 1) 2004-7	1
	347537	(19 teeth) (4.54 to 1) 2005-8-21-55	1
3.488		FLANGE, Universal joint driving shaft	
	0302868	(Not used on 2020) 20th Sr.	1
	0355812	2000-1-10-11-20	1
	373443	Nut	1
	300910	Washer	1

Use with "Universal Products" type.

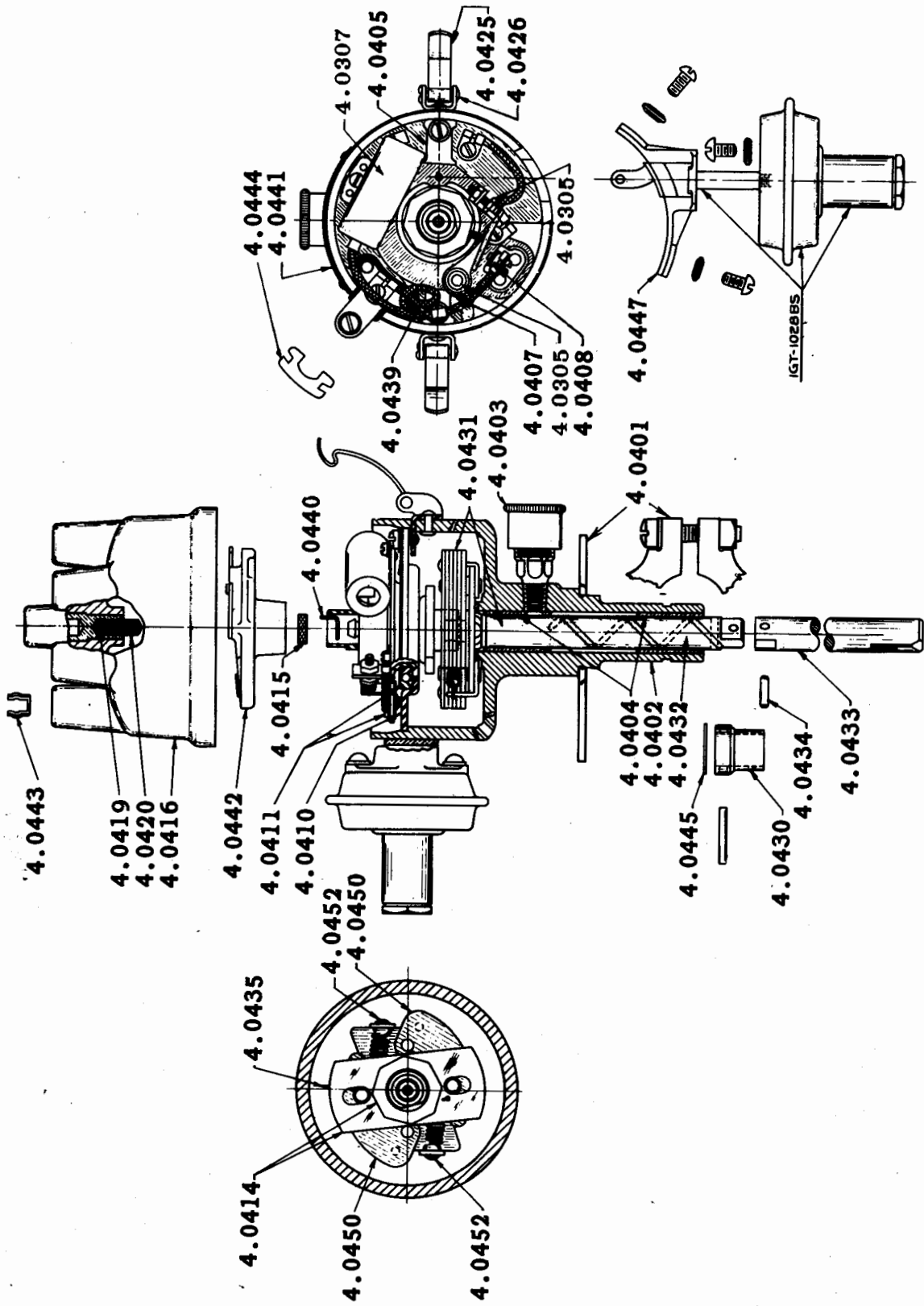
Two types of universal joint shafts were used on Models 2000-1-10-11 equipped with econo-drive (See universal joint shaft illustration). Use with "Mechanics Universal" type.

INDEX NO.	PART NO.	DESCRIPTION AND MODELS	PER CAR	INDEX NO.	PART NO.	DESCRIPTION AND MODELS	PER CAR
BATTERY				CIGAR LIGHTER			
4.0001	CABLE ASSEMBLY, Ground			4.0101	BASE ASSY., Instrument board cigar lighter		
	373131 2000-1-3-6-10-11		1		379614 2000-1-3-6-10-11		1
	338735 2001A-3A-4-5-7-8-20-1-3-55		1		379622 2001A-3A-4-5-7-8-20-1-3-55		1
4.0002	TERMINAL, Cable			4.01015	CLAMPING SHELL, Instrument board cigar lighter base		
	338691 (Battery end-positive) 2001A-3A-4-5-7-8-20-1-3-55		1		379613 20th Sr.		1
4.0003	CABLE ASSEMBLY, Starter			4.01016	GASKET, Instrument board cigar lighter base		
	373199 2000-1-10-11		1		358461 2001A-3A-4-5-6-7-8-20-1-3-55		1
	335387 2001A		1	4.01017	WASHER, Instrument board cigar lighter base		
	378992 2003-6		1		358495 2001A-3A-4-5-6-7-8-20-1-3-55		1
	358623 2003A		1	4.0102	CABLE ASSEMBLY, Instrument board cigar lighter		
	358624 2004-5-7-8-23-55		1		358925 RHD 2001A-3A-4-5-7-8-20-1-3-55		1
	335386 2020-1		1	4.01025	TERMINAL, Instrument board cigar lighter cable		
4.00046	CLIP, Starter cable				225377 RHD (11/64 eye) 2001A-3A-4-5-7-8-20-1-3-55 ..		1
	201570 (To brake master cylinder) 2001A-3-4-5-7-8-20-1-3-55		x		71397 RHD (Open end) 2001A-3A-4-5-7-8-20-1-3-55 ...		1
	67277 (50.600) (To frame) 2001A-20-1		1		36111 Insulator		2
	209171 (50.600) (To frame) 2003A-4-5-7-8-23-55		1		5225 (50.220) Lockwasher #8		1
	229302 (50.080) Screw 1/4-20 x 1/2 tapping		1		362652 Nut #8-32 spl.		1
	3877 (50.200) Washer 3/8 plain		x	4.0104	ELEMENT & KNOB ASSEMBLY, Instrument board cigar lighter		
	7319 (50.200) Washer 1/4 plain		1		373587 2000-1-3-6-10-11		1
4.0005	CARRIER, Battery				377931 2001A-3A-4-5-55		1
	335188 2001A-3A		1		377932 2007-8		1
	333667 2004-5-21-3-55		1		364397 (Blue) 2020-1-3		1
	379832 2007-8		1		377930 (Brown) 2020-1-3		1
	333666 2020		1		364399 (Green) 2020-1-3		1
	333667 2030		1		364396 (Maroon) 2020-1-3		1
4.0006	GUIDE, Carrier brake cable			4.01041	KNOB ASSEMBLY, Instrument board cigar lighter		
	335189 2001A-3A		1		379854 (Macoid) (Less element assy.) 2000-1-3-6-10-11		1
	333668 2004-5-7-8-20-1-3-55		1		11		1
4.0007	CLAMP, Battery				373198 (Chrome) (Less element assy.) 2000-1-3-6-10-11		1
	315685 2001A-3A-4-5-7-8-21-3-55		1		377458 (Less element assy.) 2001A-3A-4-5-55		1
	315684 2020		1		378160 (Less element assy.) 2007-8		1
	315685 2030		1		364386 (Green) (Less element assy.) 2020-1-3		1
4.00073	RETAINER ASSEMBLY, Battery				364384 (Blue) (Less element assy.) 2020-1-3		1
	373007 2000-1-3-6-10-11		1		378159 (Brown) (Less element assy.) 2020-1-3		1
4.0008	SUPPORT ASSEMBLY, Battery				364383 (Maroon) (Less element assy.) 2020-1-3		1
	373516 2000-1-10-11		1	4.01042	ESCUTCHEON, Instrument board cigar lighter knob		
	351005 2001A-3A		1		364408 2001A-3A-4-5-7-8-20-1-3-55		1
	377221 2003-6		1	4.01043	STUD, Instrument board cigar lighter knob		
	333383 Front 2004-5-7-8-20-1-3-55		1		373358 2000-1-3-6-10-11		1
	333433 Rear 2004-5-7-8-20-1-3-55		1		358429 2001A-3A-4-5-7-8-23-55		1
	5506 (50.220) Lockwasher 3/8 split 2001A-3A-4-5-7-8-20-1-3-55		4	4.01046	RETAINER, Instrument board cigar lighter knob		
	7006 (50.100) Nut 3/8-24 plain 2001A-3A-4-5-7-8-20-1-3-55		4		358475 2001A-3A-4-5-7-8-20-1-3-55		1
	4174 (50.400) Rivet 5/16 x 3/4 2001A-3A		4	4.0105	ELEMENT (TIP) ASSY., Instrument board cigar lighter		
	377349 Screw 3/8-16 x 11/16 2000-1-3-6-10-11		6		356577 2000-1-3-6-10-11		1
	7387 Screw 3/8-24 x 7/8 2020-1-3		4		364392 2001A-3A-4-5-7-8-20-1-3-55		1
	3877 (50.200) Washer 3/8 plain 2001A-3A-4-5-7-8-20-1-3-55		1	CLOCK			
4.00083	BOLT, Battery support			4.0200	CLOCK, Instrument board		
	371342 2000-1-3-6-10-11		2		375095 (Brown) (Special) 2000-1		1
	371343 Grommet		2		375097 (Gray) 2003-6		1
	6359 (50.200) Washer 5/16		2		359900 (Silver) 2004-5-55		1
4.00084	WING NUT, Battery support bolt				359901 2007-8		1
	371344 2000-1-3-6-10-11		2		375096 (Blue) 2010-1		1
4.00085	BRACKET, Battery support				359899 (Blue) 2020-1		1
	371558 Front 2000-1-3-6-10-11		1		374631 (Brown) 2020-1		1
	373493 Rear 2000-1-10-11		1		363702 (Green) 2020-1		1
	373920 Rear 2003-6		1		363700 (Maroon) 2020-1		1
4.0009	SUPPORT STUD, Battery				359901 (Bronze) 2023		1
	316777 2001A-3A-4-5-7-8-20-1-3-55		2		359900 (Silver) 2023		1
	5504 (50.220) Lockwasher 5/16		2				
	7305 (50.100) Nut 5/16-18		2				
	315686 (50.241) Washer		2				



ELECTRICAL SWITCHES

INDEX NO.	PART NO.	DESCRIPTION AND MODELS	PER CAR	INDEX NO.	PART NO.	DESCRIPTION AND MODELS	PER CAR
CLOCK—Continued				DISTRIBUTOR—Continued			
4.0200		CLOCK, Instrument board (Cont'd)		4.03001		DISTRIBUTOR (Cont'd)	
	6472 (50.230)	Lockwasher #8 2000-1-3-6-10-11	4	377742	(Autolite #IGP 4502A)	2001-1A-11-21	1
	6056 (50.230)	Lockwasher #10 2004-5-7-8-20-1-3-55	4	351081	(Autolite #IGT 4102)	2003-3A-4-5-6-7-8-23-55	1
	7002 (50.100)	Nut #8-32 2000-1-3-6-10-11	4				
	7411 (50.000)	Screw #10-32 x 5/16 2004-5-7-8-20-1-3-55	2	5504	(50.220)	Lockwasher 2000-1-1A-10-11-20-1	2
	333984	Stud - long 2000-1-3-6-10-11	2	7573	(50.003)	Screw 5/16-18 x 3/4 2000-1-1A-10-11-20-1	2
	375216	Stud - short 2000-1-3-6-10-11	1	6359	(50.200)	Washer 5/16 2000-10-20	2
4.0201		CLOCK BEZEL, Instrument board		4.0305		POINT SET, Breaker	
	379756	2000-1-3-6-10-11	1	373326	(Delco)	2000-10-20-30	1
	367044	2004-5-7-8-20-1-3-55	1	364989	(A-L) (#IGP 3028FS)	2000-10-20-30	1
4.0202		CABLE ASSEMBLY, Instrument board clock		354262	(A-L) (#IGP 302BKS)	2001-1A-11-21	1
	379797	(Complete) 2000-1-3-6-10-11	1	354263	(A-L) (#IGP 302BMS)	2003-3A-4-5-6-7-8-23-55	1
	379798	(Fuse end only) 2000-1-3-6-10-11	1	4.0307		CONDENSER, Distributor	
	367045	2004-5-7-8-20-1-3-55	1	D-1869704	(Delco)	2000-10-20-30	1
	379801	Grommet 2000-1-3-6-10-11	1	IGW-3128	(A-L)	2000-10-20-30	1
4.02025		CLIP, Instrument board clock cable		317976	(A-L) (IG-2671-K)	2001-1A-11-21	1
	371211	2000-1-10-11	2	317977	(A-L) (IG-2671-J)	2003-3A-4-5-6-7-8-23-55	1
	359921	2004-5-7-8-20-1-3-55	3	4.0311		GASKET, Distributor	
	366179	(At clock end) 2004-5-7-8-20-1-3-55	1	300190		20th Sr.	1
4.02051		CASE, Instrument board clock		4.0312		TUBE ASSEMBLY, Distributor (to carburetor) vacuum control	
	379751	2000-1-3-6-10-11	1	378152	(Autolite)	2000-10-20	1
	367046	2004-5-7-8-20-1-3-55	1	378151	(Delco)	2000-10-20	1
	379752	Gasket (rubber) 2000-1-3-6-10-11	1	373951	2001-1A-11-21		1
	379802	Screw (rear cover) #5-40 x 5/32 2000-1-3-6-10-11	2	378669	2003-3A-4-5-6-7-8-23-55		1
4.02054		RETAINER, Instrument board clock case		4.0313		CLIP, Distributor (to carburetor vacuum control tube assembly)	
	379754	(Brown) 2000-1	1	207246		20th Sr.	1
	379753	(Grey) 2003-6	1	4.0315		ELBOW, Distributor (to carburetor vacuum control)	
	379755	(Blue) 2010-11	1	6568	(3/16)	20th Sr.	x
4.0206		DIAL ASSEMBLY, Instrument board clock		6256	Connector 3/16	2001-1A-21	1
	379750	2000-1-3-6-10-11	1	4.0316		CONNECTOR, Distributor to carburetor vacuum control tube	
4.0207		DIAL, Instrument board clock (Glass)		6256	(3/16 Autolite)	2000-10-20	1
	367043	2004-5-7-8-20-1-3-55	1	4.0402		BASE ASSEMBLY, Distributor	
4.02071		SUB DIAL, Instrument board clock		D-1882392	(Delco)	2000-10-20	1
	379758	(Silver) 2000-1-10-11	1	IGC-2160	(A-L)	2000-10-20	1
	379757	(Bronze) 2003-6	1	IGP-2054	(A-L)	2001-1A-11-21	1
4.02095		HAND, Instrument board clock		IGT-2032A	(A-L)	2003-3A-4-5-6-7-8-23-55	1
	379785	(Minute) (Brown) 2000-1	1	4.0403		GREASE CUP, Base (1/8)	
	379784	(Minute) (Gray) 2003-6	1	X-382	(A-L)	20th Sr.	1
	379786	(Minute) (Blue) 2010-11	1	4.0404		BEARING, Base absorbent bronze	
	379759	(Hour) (Off white) 2000-1-3-6-10-11	1	D-825463	(Delco)	2000-10-20	1
	367047	(Minute) 2004-5-7-8-20-1-3	1	IG-579A	(A-L)	20th Sr.	2
	367048	(Hour) 2004-5-7-8-20-1-3	1	4.0405		BEARING CLAMP, Distributor	
4.02105		FUSE, Instrument board clock		IGT-18	(A-L)	2003-3A-4-5-6-7-8-23-55	2
	362639	(2 Amp.) 20th Sr.	1	4.0407		SPRING, Breaker arm	
4.02106		CONTAINER, Instrument board clock fuse		IGP-30	(A-L)	2000-1-1A-10-11-20-1	x
	362546	2004-5-7-8-20-1-3-55	1	IGP-30L	(A-L)	2003-3A-4-5-6-7-8-23-55	x
4.02107		SPRING, Instrument board clock fuse container		4.0408		CLIP, Breaker arm spring	
	362346	2004-5-7-8-20-1-3-55	1	IGP-676	(A-L)	2000-10-20	1
4.02108		SEAT, Instrument board clock fuse container spring		IA-131	(A-L)	2001-1A-3-3A-4-5-6-7-8-11-21-3-55	2
	362345	2004-5-7-8-20-1-3-55	1	4.0410		BREAKER PLATE (PART) ASSEMBLY, Distributor	
4.02145		BULB, Instrument board clock light		D-1847643	(Delco)	2000-10-20	1
	223889	(50.960) (Mazda #51) (compt. illuminating) 20th Sr.	1	IGC-1148	(A-L)	2000-10-20	1
	225655	(50.960) (Mazda #55) (dial illuminating) 20th Sr.	1	IGP-1046	(A-L)	2001-1A-11-21	1
			1	IGT-1030C	(A-L)	2003-3A-4-5-6-7-8-23-55	1
DISTRIBUTOR				4.0414		CAM & STOP PLATE, Distributor	
4.03001		DISTRIBUTOR		D-1882396	(Delco)	2000-10-20	1
	362766	(Autolite #IGC 4505) 2000-10-20-30	1	IGS-1100LA	(A-L)	2000-10-20	1
	364491	(Delco #1110132) 2000-10-20-30	1	IGT1021L	(A-L)	2001-1A-3-3A-4-5-6-7-8-11-21-3-55	1



MOTOR DISTRIBUTOR

INDEX NO.	PART NO.	DESCRIPTION AND MODELS	PER CAR
DISTRIBUTOR—Continued			
4.0416	CAP ASSEMBLY, Distributor		
	D-824735 (Delco)	2000-10-20	1
	IGC-1107S (A-L)	2000-10-20	1
	IGP-1003 (A-L)	2001-1A-3-3A-4-5-6-7-8-11-21-3-55	1
4.0419	SPRING, Cap contact		
	IG-515 (A-L)	20th Sr.	x
4.0420	PLUNGER, Cap contact spring		
	D-821604 (Delco)	2000-10-20	x
	IG-514 (A-L)	20th Sr.	x
4.0425	SPRING, Cap		
	IG-694 (A-L)	20th Sr.	2
4.0426	PIN, Cap hinge		
	X-1448 (A-L)	20th Sr.	2
4.0430	SLEEVE, Drive		
	IGH-54 (A-L)	20th Sr.	1
	SW-213 Rivet (A-L)	20th Sr.	1
4.0431	SHAFT & GOVERNOR ASSEMBLY, Distributor drive		
	D-1882394 (Delco)	2000-10-20	1
	IGT-2020LC (A-L)	2000-10-20	1
	IGT-2020LB (A-L)	2001-1A-11-21	1
	IGT-2020L (A-L)	2003-3A-4-5-6-7-8-23-55	1
4.0432	DRIVE SHAFT ASSEMBLY, Distributor		
	IGT-1020LB (A-L)	2000-10-20	1
	IGT-1020L (A-L)	2001-1A-3-3A-4-5-6-7-8-11-21-3-55	1
4.0433	EXTENSION, Drive shaft		
	IGH-53B (A-L)	20th Sr.	1
4.0434	PIN, Drive shaft		
	IGH-55 (A-L)	20th Sr.	1
4.0435	SPRING, Governor control		
	IGT-69 (A-L)	20th Sr.	1
4.0439	LEAD ASSEMBLY, Distributor		
	DG-107 (A-L)	2001-1A-11-21	x
	IGT-11A (A-L)	2003-3A-4-5-6-7-8-23-55	1
	IGT-68 (A-L)	2003-3A-4-5-6-7-8-23-55	1
4.0440	RING, Lock spring		
	IG-680 (A-L)	20th Sr.	1
4.0442	ROTOR, Distributor		
	D-820445 (Delco)	2000-10-20	1
	IGS-1016B (A-L)	20th Sr.	1
4.0443	TERMINAL, Distributor H.T. wire		
	IG-94 (A-L)	20th Sr.	x
4.0444	COVER, Terminal slot		
	IGC-117 (A-L)	2000-10-20	1
	IGP-41 (A-L)	2001-1A-11-21	1
	IGS-34 (A-L)	2003-3A-4-5-6-7-8-23-55	1
4.0445	THRUST WASHER, Distributor		
	IG-90 (A-L)	20th Sr.	1
4.0446	VACUUM CHAMBER, Distributor		
	D-1116034 (Delco)	2000-10-20	1
	VC-3060KS (A-L)	2000-10-20	1
	VC-3060GS (A-L)	2001-1A-11-21	1
	IGT-2028BS (A-L)	2003-3A-4-5-6-7-8-23-55	1
4.0447	BRACKET, Vacuum chamber		
	VC-107 (A-L)	2000-10-20	1
	VC-105 (A-L)	2001-1A-11-21	1
	IGT-28 (A-L)	2003-3A-4-5-6-7-8-23-55	1
4.0450	WEIGHT ASSEMBLY, Distributor		
	D-1863143 (Delco)	2000-10-20	1
	IG-2456 (A-L)	20th Sr.	1

INDEX NO.	PART NO.	DESCRIPTION AND MODELS	PER CAR
DISTRIBUTOR—Continued			
4.0452	WEIGHT SPRING, Distributor		
	D-822172 (Delco)	2000-10-20	1
	IGB-293 (A-L)	2001-1A-11-21	1
	IGB-329 (A-L)	2001-1A-11-21	1
	IGB-284 (A-L)	2003-3A-4-5-6-7-8-23-55	1

ELECTROMATIC CLUTCH

4.0540	SWITCH, Clutch control unit auxiliary		
	377752	2000-1-3-6-10-11	1
	7658 (50.300)	Screw #10 x 7/8	2
4.0542	ROD, Clutch control unit auxiliary switch operating		
	379478	2000-1-10-11	1
	379550	2003-6	1
	7191 (50.240)	Cotter pin	2
4.0550	GOVERNOR, Clutch control unit		
	367335	Supersedes 377787) 20th Sr.	1
4.0551	BOOT, Clutch control unit governor		
	354687	20th Sr.	1
4.05515	COVER AND SWITCH ASSEMBLY, Clutch control unit governor		
	373466	20th Sr.	1
4.0552	LOCK PLATE, Clutch control unit governor		
	367120	20th Sr.	1
4.0553	PINION, Clutch control unit governor		
	347500	20th Sr.	1
4.0554	SLEEVE, Clutch control unit governor pinion		
	347650	20th Sr.	1
4.0555	SNAP RING, Clutch control unit governor pinion		
	347532	20th Sr.	1
4.0556	RELAY, Clutch control unit		
	377793	20th Sr.	1
	3870	Spacer	1
	7930 (50.300)	Screw #12 x 3/4	2
4.0557	FUSE, Clutch control unit relay to starter motor cable		
	362461	20th Sr.	1
4.0558	CONTAINER ASSEMBLY, Clutch control unit relay to starter motor cable and fuse		
	364058	2000-1-1A-3-6-10-11-20-1	1
	364059	2003A-4-5-7-8-23-55	1
4.05585	SOLENOID, Clutch valve (low and reverse)		
	371185	20th Sr.	1
4.0560	SWITCH & BRACKET ASSEMBLY, Inst. board lockout		
	377564	2000-1-3-6-10-11	1
	371031	2001A-3A-4-5-7-8-20-1-3-55	1
	7003 (50.100)	Nut #10-32	1
	5198	Screw #10-32 x 5/8	1
	371406	Stud 2000-1-3-6-10-11	1
4.0561	CABLE & CONDUIT ASSEMBLY, Inst. board lockout switch		
	377939	LHD Gray 2001A-3A-4-5-7-8-55	1
	378324	LHD Brown 2004-5-7-8-55	1
	371013	LHD Blue 2020-1-3	1
	378325	LHD Brown 2020-1-3	1
	371015	LHD Green 2020-1-3	1
	371012	LHD Maroon 2020-1-3	1
4.0562	NUT, Instrument board lockout switch cable & conduit assembly		
	362084	2001A-3A-4-5-7-8-20-1-3-55	1

INDEX NO.	PART NO.	DESCRIPTION AND MODELS	PER CAR
ELECTROMATIC CLUTCH—Continued			
4.0563	GASKET, Instrument board lockout switch cable & conduit assembly nut 358458 2001A-3A-4-5-7-8-20-1-3-55	1	
4.0564	CABLE ASSEMBLY, Instrument board lockout switch (to relay) 371023 2001A-4-5-7-8-20-1-3-55	1	
4.0566	KNOB, Instrument lockout switch 377796 (Chrome) 2000-1-3-6-10-11 ▲379855 (Paint) 2000-1-3-6-10-11 371415 Screw	1 1 1	
4.0569	SOLENOID, Transmission direct speed 373721 20th Sr.	1	
4.0570	SOLENOID SWITCH, Transmission direct speed 367551 20th Sr. 5806 (50.230) Lockwasher 7/16 367567 Nut 367574 Washer	1 1 1 1	
4.0571	BOOT, Trans. direct speed solenoid switch 367540 20th Sr.	1	
4.0572	BRACKET, Trans. direct speed solenoid switch 367273 20th Sr. 5504 (50.220) Lockwasher 6087 (50.003) Screw 5/16-24 x 1	1 1 1	
4.0573	STUD, Transmission direct speed solenoid switch bracket 367541 20th Sr. 304914 Washer 1/2	1 1	
4.0574	SOLENOID SWITCH, Trans. first and reverse 367563 20th Sr.	1	
4.0575	CHOKE VALVE & SOLENOID ASSEMBLY, Transmission second speed 371158 20th Sr.	1	
4.05765	WIRING HARNESS, Electrical 378144 Front 2000-1-3-6-10-11 378140 Front 2001A-3A-4-5-7-8-20-1-3-55 378147 Rear 2000-1-3-6-10-11 378141 Rear 2001A-3A-4-5-7-8-20-1-3-55 373759 Clip (To acc. brkt.) 2000-1-3-6-10-11 371212 Clip (To dash) 2000-1-3-6-10-11 351083 Clip (To dash) 20th Sr. 373608 Clip (To frame) 20th Sr. 371212 Clip (To trans.) 20th Sr. 373441 Clip (To valve support plate) 20th Sr.	1 1 1 1 1 1 2 2 3 1	
4.05767	STRAP, Wiring harness 203905 (To transmission overdrive wiring harness assy.) 20th Sr. 203905 (To brake tube) 2001A-3A-4-5-7-8-20-1-3-55 203905 (To speedometer cable) 2001A-20-1	2 1 3	
4.05769	RUBBER, Wiring harness assy. dash cover 371600 20th Sr.	1	

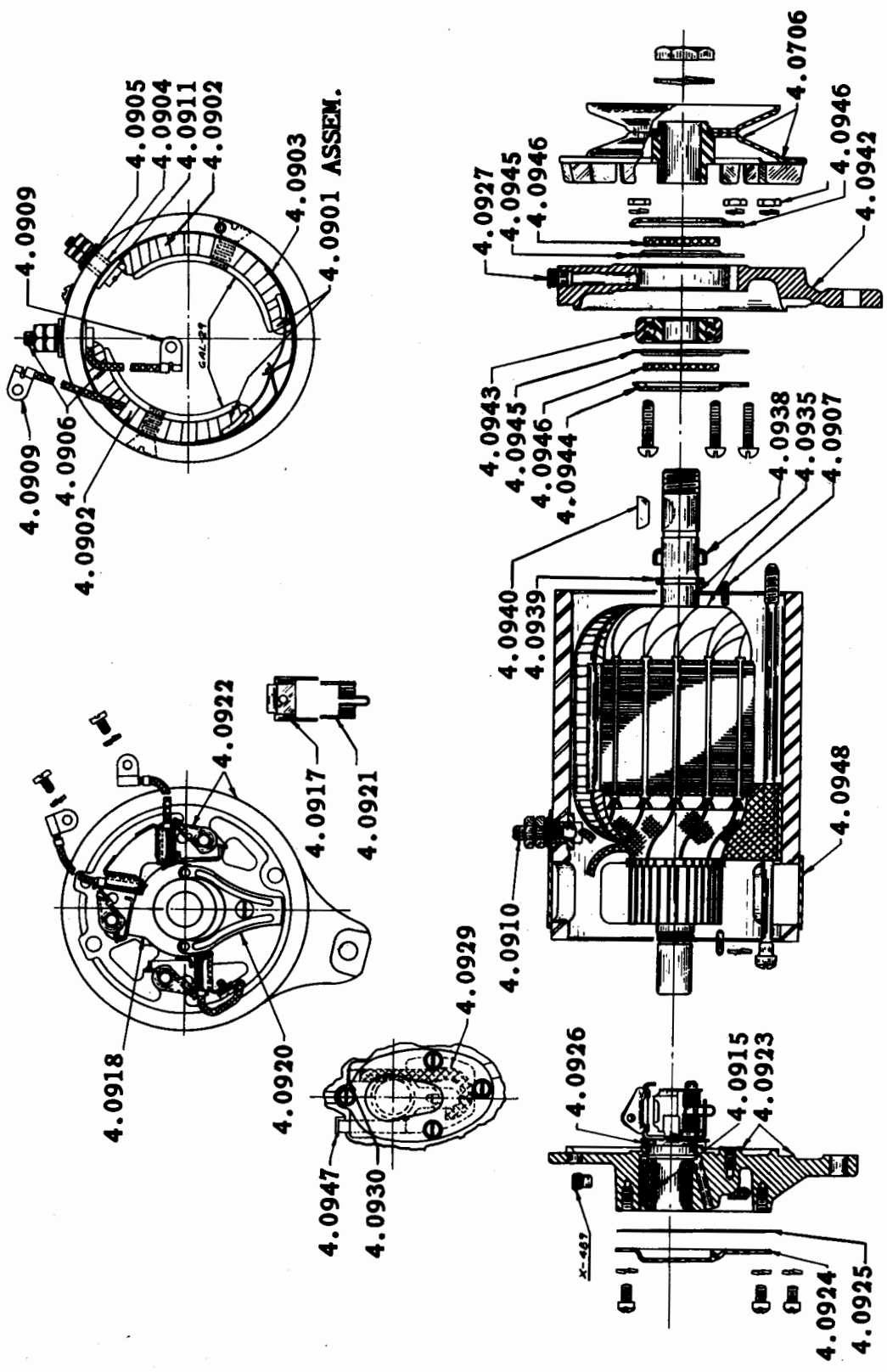
GAUGES

4.0600	GAUGE ASSEMBLY, Gasoline tank 373592 2000-1-10-11 358322 2001A-3A-4-5-7-8-21-3-30-55 371135 2003-6 358284 2020 367795 Screw #10-32 x 1/2 300426 Screw gasket	1 1 1 1 5 5
4.0601	GASKET, Gasoline tank gauge 303289 20th Sr.	1
4.0602	BOOT, Gasoline tank gauge terminal 324621 20th Sr.	1

INDEX NO.	PART NO.	DESCRIPTION AND MODELS	PER CAR
GAUGES—Continued			
4.0603	AMMETER, Instrument board 379386 (Silver) 2000-1-10-11 364812 (Silver) 2001A-3A-4-5-55 379387 (Bronze) 2003-6 364813 (Bronze) 2007-8-23 364816 (Blue) 2020-1 379623 (Brown) 2020-1 364815 (Green) 2020-1-30 364814 (Maroon) 2020-1 5935 Lockwasher #10 7003 (50.100) Nut #10-32	1 1 1 1 1 1 1 1 2 2	
4.0614	GAUGE, Instrument board gasoline 379382 (Silver) 2000-1-10-11 364819 (Silver) 2001A-3A-4-5-55 379383 (Bronze) 2003-6 364820 (Bronze) 2007-8-23 364824 (Blue) 2020-1 379624 (Brown) 2020-1 364822 (Green) 2020-1-30 364821 (Maroon) 2020-1	1 1 1 1 1 1 1 1	
4.06155	BULB, Instrument board gauge light 225655 (Mazda #55) (Gauges-directional signal-Speedometer pointer) 20th Sr. 223889 (Mazda #51) (Econo-drive and bright light indicator) 20th Sr.	x 1	
4.0616	CABLES AND SOCKETS ASSEMBLY, Instrument board gauge light 378346 2000-1-3-6-10-11 362293 2001A-3A-4-5-7-8-20-1-3-55	1 1	
4.0617	SOCKET, Instrument board gauge light cable 310150 2001A-3A-4-5-7-8-20-1-3-55	2	
4.0618	CONTACT, Instrument board gauge light cable socket 225262 2001A-3A-4-5-7-8-20-1-3-55	2	
4.06193	SWITCH, Instrument board gauges light 371434 2010-11	1	
4.06204	SWITCH, Instrument board instrument cluster light 371434 2000-1-3-6-10-11 371406 Stud	1 1	
4.06206	FUSE, Instrument board instrument cluster light switch 302121 20th Sr.	1	
4.06208	KNOB, Instrument board instrument cluster light switch 373197 (Chrome) 2000-1-3-6-10-11 ▲379860 (Paint) 2000-1-3-6-10-11 371415 Screw	1 1 1	
4.0621	GAUGE, Instrument board oil 379384 (Silver) 2000-1-10-11 364826 (Silver) 2001A-3A-4-5-55 379385 (Bronze) 2003-6 364827 (Bronze) 2007-8-23 379396 (Blue) 2020-1 379395 (Brown) 2020-1 379397 (Green) 2020-1-30 379398 (Maroon) 2020-1	1 1 1 1 1 1 1 1	
4.0622	SENDING UNIT, Instrument board oil gauge (cylinder) 341918 20th Sr.	1	
4.0628	GASKET, Instrument board oil & temperature gauge thermometer 239407 (To engine) 20th Sr.	1	

▲Used on Clipper four door sedans built after Jan 1, 1942 only. All other body types have chrome trim.

INDEX NO.	PART NO.	DESCRIPTION AND MODELS	PER CAR	INDEX NO.	PART NO.	DESCRIPTION AND MODELS	PER CAR
GENERATOR				GENERATOR—Continued			
4.07001		GENERATOR ASSEMBLY		4.0904		INSULATING BUSHING	
	364147	(Autolite #GDZ4801F) 2000-1-1A-10-11-20-1 ...	1		GCY-25 (A-L) 20th Sr.		1
	362861	(Delco #1102682) 2000-10-20	1		GDD-25 (A-L) 2030		2
	351166	(Autolite #GEA4802A) 2003-3A-4-5-6-7-8-23-55.	1	4.0905		INSULATING WASHER	
	367084	(Autolite #GEB0802C) 2030	1		GBW-34 (A-L) 20th Sr.		1
4.0701		STRAP, Adjusting		4.0906		LEAD ASSEMBLY	
	300219	2000-1-1A-10-11-20-1	1		GEA-30 (A-L) 20th Sr.		1
	341511	2003-3A-4-5-6-7-8-23-55	1	4.0907		PIN, Dowel	
	341801	2030	1		MN-21 (A-L) 20th Sr.		2
	5504	(50.220) Lockwasher 5/16	1		D-809062 (Delco) (C.E.) 2000-10-20		1
	5506	(50.220) Lockwasher 3/8	1		D-809593 (Delco) (D-E) 2000-10-20		1
	379062	Screw (To cylinder) 2000-1-1A-10-11-20-1	1	4.0909		TERMINAL	
	6623	(50.003) Screw 3/8-16 x 1-1/2 (To cylinder)			X847 (A-L) 20th Sr.		1
		2003-3A-4-5-6-7-8-23-55	1	4.0910		TERMINAL POST	
	300229	Screw 5/16-18 x 1-3/8 (To generator) 2000-1-			GBW-58 (A-L) (Field coil) 20th Sr.		1
		1A-10-11-20-1	1		GEA-27 (A-L) (Lead assy.) 20th Sr.		1
	7285	(50.003) Screw 5/16-18 x 7/8 (To generator)			GED-27 (A-L) (Lead assy.) 2030		1
		2003-3A-4-5-6-7-8-23-55	1	4.0911		TERMINAL POST INSULATION	
	3874	(50.200) Spacer (To cylinder) 2000-1-1A-10-			GAA-32 (A-L) Top 20th Sr.		1
		11-20-1	1		GEA-34 (A-L) Bottom 20th Sr.		1
	341512	Spacer (To cylinder) 2003-3A-4-5-6-7-8-23-55.			GBW 66 & 67 (A-L) Bottom 2030		1
	300221	Spacer (To generator) 2000-1-1A-10-11-20-1 ..		4.0915		ABSORBENT BRONZE BEARING	
	6228	Washer 5/16	1		GBF-79 (A-L) 20th Sr.		1
4.0702		BRACKET, Generator			D-812823 (Delco) 2000-10-20		1
	341169	2000-1-1A-10-11-20-1	1	4.0917		BRUSH ARM	
	341497	2003-3A-4-5-6-7-8-23-55	1		GCJ-26 (A-L) 20th Sr.		3
	5504	(50.220) Lockwasher 5/16	2		D-1878183 (Delco) 2000-10-20		2
	7005	(50.100) Nut 5/16-24	2		GCE-54 (A-L) 2030		2
	6648	(50.003) Screw 5/16-18 x 7/8	2	4.0921		BRUSH SPRING	
	7276	Screw 5/16-24 x 1-3/8 (Use only with Delco			GBW-45 (A-L) 20th Sr.		3
		Equipment) (To generator) 2000-10-20	1		D-1878177 (Delco) (Main) 2000-10-20		1
	6242	(50.003) Screw 5/16-24 x 1-1/8 (To generator)			GCE-53 (A-L) 2030		2
		2001-1A-3-3A-4-5-6-7-8-11-21-3-55	2	4.0923		C.E. PLATE PART ASSEMBLY	
	3874	(50.200) Washer 5/16 2000-1-3-6-10-11	1		GDZ-1002A (A-L) 2000-1-1A-10-11-20-1		1
4.07025		SPACER, Generator (to bracket)			D-1871804 (Delco) 2000-10-20		1
	364154	(Delco) 2000-10-20	1		GEA-1002A (A-L) 2003-3A-4-5-6-7-8-23-55		1
4.0703		REGULATOR, Current and voltage			GCE-2002 (A-L) 2030		1
	351127	(Auto-Lite #VRP-4002C) 20th Sr.	1	4.0924		C.E. CAP COVER	
	362858	(Delco 1118202) 2000-10-20	1		GBW-1068B (A-L) 20th Sr.		1
	367085	(Auto-Lite #VRP-4002D) 2030	1		D-820524 (Delco) 2000-10-20		1
	7930	Screw #12 x 3/4 2000-1-3-6-10-11	3		3BJ-32A (A-L) 2030		1
	6922	(50.300) Screw #14 x 3/4 2001A-3A-4-5-7-8-		4.0925		GASKET	
		20-1-3-55	3		GBW-69 (A-L) 20th Sr.		1
4.0705		BRUSH SET, Generator			D-817220 (Delco) 2000-10-20		1
	341223	(A-L) (#GBW 2012AS) 20th Sr.	1		GBJ-25 (A-L) 2030		1
	GCE-2012-S	(A-L) 2030	1	4.0926		OIL GUARD	
4.0706		PULLEY, Generator			GBW-72 (A-L) 20th Sr.		1
	SP-1296	(A-L) 2000-1-1A-10-11-20-21	1		DA-39 (A-L) (Flat) 2030		1
	D-1882476	(Delco) 2000-10-20	1	4.0929		OIL WICK	
	SP-370	(A-L) 2003-3A-4-5-6-7-8-23-55	1		GAR-73 (A-L) 20th Sr.		1
	SP-408	(A-L) 2030	1	4.0930		OIL WICK COVER	
4.0901		FIELD COIL ASSEMBLY, (Complete)			GAR-98A (A-L) 20th Sr.		1
	GDZ-1005	(A-L) 2000-1-1A-10-11-20-21	1	4.0935		ARMATURE ASSEMBLY	
	GEA-1005	(A-L) 2003-3A-4-5-6-7-8-23-55	1		GDZ-2006F (A-L) 20th Sr.		1
	GEB-1005	(A-L) 2030	1		D-1879002 (Delco) 2000-10-20		1
4.0902		FIELD COIL			GEB-2006F (A-L) 2030		1
	GDZ-1008	(A-L) Right 2000-1-1A-10-11-20-21	1	4.0938		FELT WASHER RETAINER	
	D-1877893	(Delco) Right 2000-10-20	1		GR-32 (A-L) 20th Sr.		1
	GEA-1008	(A-L) Right 2003-3A-4-5-6-7-8-23-55	1		D-819104 (Delco) 2000-10-20		1
	GEB-1008	(A-L) Right 2030	1	4.0939		SNAP RING	
	GDZ-1007	(A-L) Left 2000-1-1A-10-11-20-21	1		GAR-171 (A-L) 20th Sr.		1
	D-1878427	(Delco) Left 2000-10-20	1				
	GEA-1007	(A-L) Left 2003-3A-4-5-6-7-8-23-55	1				
	GEB-1007	(A-L) Left 2030	1				
4.0903		FIELD CONNECTION INSULATOR					
	GAL-44	(A-L) 20th Sr.	1				



MOTOR GENERATOR

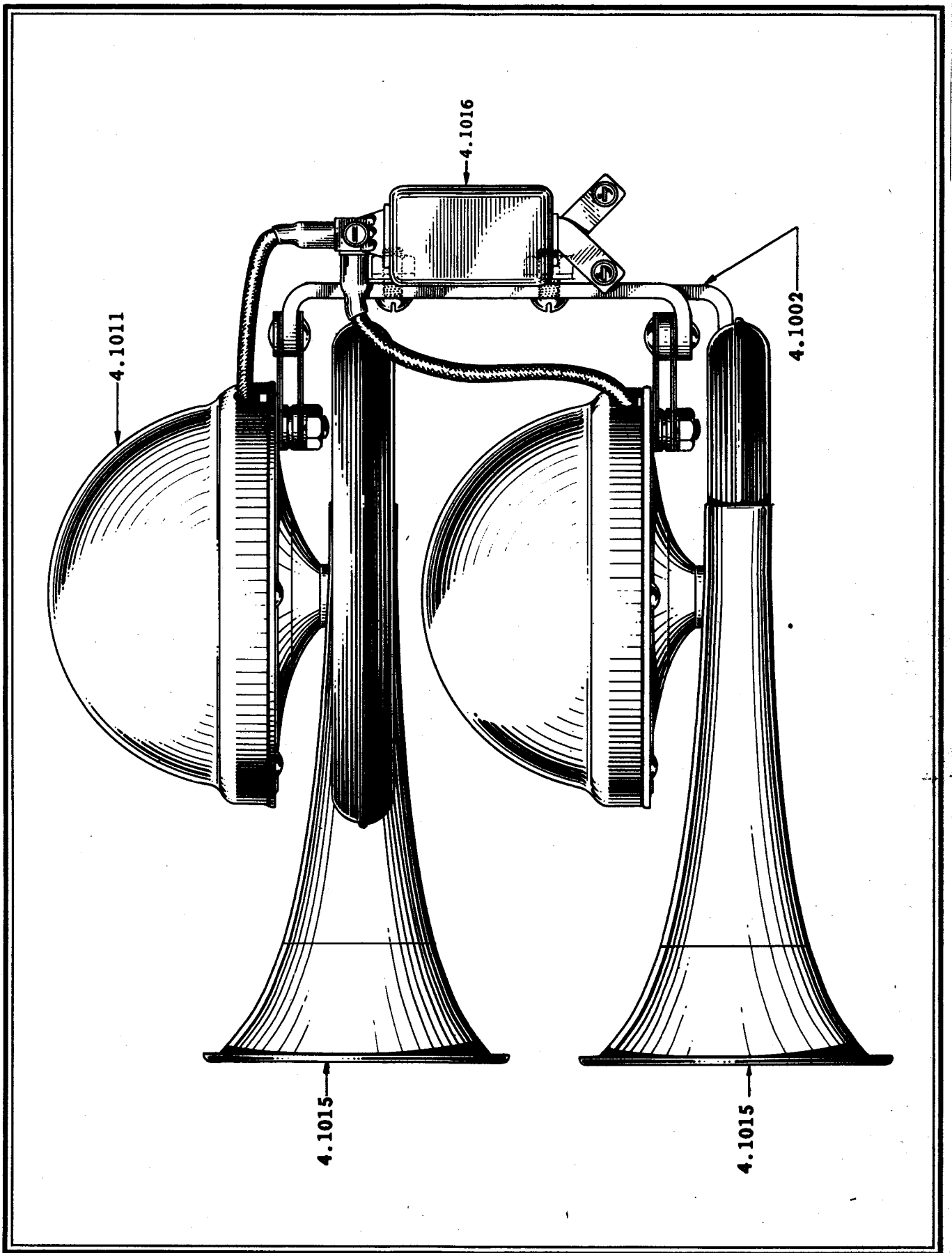
INDEX NO.	PART NO.	DESCRIPTION AND MODELS	PER CAR	INDEX NO.	PART NO.	DESCRIPTION AND MODELS	PER CAR
GENERATOR—Continued				HORN—Continued			
4.0940	WOODRUFF KEY X-260 (A-L) #5 20th Sr.	1	4.10026	SPACER, Horn bracket (to dash) 367871 2003A-4-5-7-8-23-55	3
4.0941	DRIVE END HEAD ASSEMBLY GDZ-1003 (A-L) 2000-1-1A-10-11-20-1 GEA-1004 (A-L) 2003-3A-4-5-6-7-8-23-55 GCE-1003 (A-L) 2030	1 1 1	4.1005	DIAPHRAGM, Horn 338603 (High Pitch) 20th Sr. 338602 (Low Pitch) 2000-1-1A-3-6-10-11-20-1-30 338603 (Int. Pitch) 2003A-4-5-7-8-23 364975 (Low Pitch) 2003A-4-5-7-8-23-55	1 1 1 1
4.0942	D.E. HEAD GDZ-3 (A-L) 2000-1-1A-10-11-20-21 D-1871693 (Delco) 2000-10-20 GEA-4 (A-L) 2003-3A-4-5-6-7-8-23-55 GCE-3 (A-L) 2030	1 1 1 1	4.1006	GASKET, Horn diaphragm 338604 2000-1-1A-3-6-10-11-20-1-55	2
4.0943	BALL BEARING--SAE #203 X-295 (A-L) 20th Sr. D-903203 (Delco) 2000-10-20	x 1	4.1010	MOTOR ASSEMBLY, Horn 338598 (High Pitch) 2000-1-1A-3-6-10-11-20-1-30-55 338597 (Low Pitch) 2000-1-1A-3-6-10-11-20-1-30-55 364973 (High Pitch) 2003A-4-5-7-8-23 364974 (Int. Pitch) 2003A-4-5-7-8-23 364972 (Low Pitch) 2003A-4-5-7-8-23	1 1 1 1 1
4.0944	BEARING RETAINER GAR-64 (A-L) 20th Sr. D-1855702 (Delco) 2000-10-20 GG-6 (A-L) 2030	2 1 1	4.1011	COVER, Horn motor 364978 20th Sr.	x
4.0945	FELT GUARD GAR-63 (A-L) 20th Sr.	2	4.1015	HOUSING AND BELL, Horn projector front 364976 (High Pitch) 2003A-4-5-7-8-23 338600 (Low Pitch) 2003A-4-5-7-8-23 338599 (Inter. Pitch) 2003A-4-5-7-8-23	1 1 1
4.0946	FELT WASHER CG-164 (A-L) 20th Sr. GAU-31 (A-L) 20th Sr. GT-78 (A-L) 2030	2 1 1	4.1016	RELAY, Horn 364497 2000-1-1A-3-6-10-11-20-1 367915 2003A-4-5-7-8-23-55 5502 Lockwasher 1/4 7004 Nut 1/4-28 7493 Screw 1/4-28 x 5/8	1 1 2 2 2
4.09465	FELT WASHER RETAINER GK-176 (A-L) 2030 GT-76 (A-L) 2030	1 1	4.1021	HORN BUTTON AND EMBLEM, Steering wheel 356978 (Use with brown tenite fittings) 2000-1	1
4.0947	OILER-PRESS IN TYPE X-489 (A-L) 20th Sr. D-113702 (Delco) (C-E) 2000-10-20 D-125609 (Delco) (D-E) 2000-10-20	1 1 1	4.1022	RING-BUTTON AND EMBLEM ASSEMBLY, Horn 373657 (Chrome) (Special) 2000-1 ▲379936 (Macoid) (Special) 2000-1 362717 (Chrome) 2001A-3 ▲379925 (Macoid) 2003-6 362719 2003A-4-5-23 362719 (Chrome) 2006 356990 2007-8-23 373657 (Chrome) 2010-11-20-1-55 ▲379925 (Macoid) 2010-11	1 1 1 1 1 1 1 1 1
4.0948	HEAD BAND ASSEMBLY GBW-24C (A-L) 20th Sr. D-816340 (Delco) 2000-10-20 GCE-24 (A-L) 2030	1 1 1	4.1024	HORN BUTTON CABLE ASSEMBLY, Steering wheel 379063 2000-1-3-6-10-11 356810 2001A-3A-4-5-7-8-20-1-3-55	1 1
HORN				4.1025	TERMINAL, Horn button cable 356809 2001A-3A-4-5-7-8-20-1-3-55	1
4.1000	HORN & BRACKET ASSEMBLY 373476 2000-1-1A-10-11-20-1 377881 2003-6 367905 2003A-4-5-7-8-23 373530 2030 378205 2055 7765 Screw 5/16-24 x 1-1/8 2003A-4-5-7-8-23-55 6359 Washer 5/16 2003A-4-5-7-8-23-55	1 1 1 1 1 3 3	4.1026	INSULATOR, Horn button cable terminal 36111 Lower 20th Sr. 356806 2001A-3A-4-5-7-8-20-1-3-55	1 1
4.1001	HORN ASSEMBLY 367786 (High Pitch) 2000-1-1A-3-6-10-11-20-1 367785 (Low Pitch) 2000-1-1A-3-6-10-11-20-1 367903 (High Pitch) 2003A-4-5-7-8-23 367904 (Int. Pitch) 2003A-4-5-7-8-23 364436 (Low Pitch) 2003A-4-5-7-8-23 367910 (High Pitch) 2030 367909 (Low Pitch) 2030 378204 (High Pitch) 2055 379207 (Low Pitch) 2055	1 1 1 1 1 1 1 1	4.1029	PLATE, Horn button contact 356886 20th Sr. 356765 Insulator 3516 (50.220) Lockwasher #6 5935 (50.230) Lockwasher #10 7101 (50.004) Screw #6-32 x 3/8 7103 (50.000) Screw #10-24 x 1/2	1 1 3 3 3 3
4.1002	BRACKET ASSEMBLY, Horn 373475 2000-1-1A-3-6-10-11-20-1 367920 2003A-4-5-7-8-23 378219 2055	1 1 1	4.1031	EMBLEM, Horn button 362758 2000-1-20-1-55 356882 (Clear plastic) 2000-1	1 1
4.10024	GROMMET, Horn bracket (to dash) 327971 2003A-4-5-7-8-23-55	3	4.1037	RING, Horn 356930 (Chrome) (Special) 2000-1 ▲379867 (Macoid) (Special) 2000-1 356930 (Chrome) 2001A-3-3A-4-5-6-7-8-10-1-20-1-3-55 ▲379867 (Macoid) 2003-6-10-11	1 1 1 1
4.10025	INSULATOR, Horn bracket (to dash) 348792 (50.945) 2003A-4-5-7-8-23-55	3				

▲Used on Clipper Four Door Sedans built after Jan. 1, 1942 only. All other body types have chrome trim.

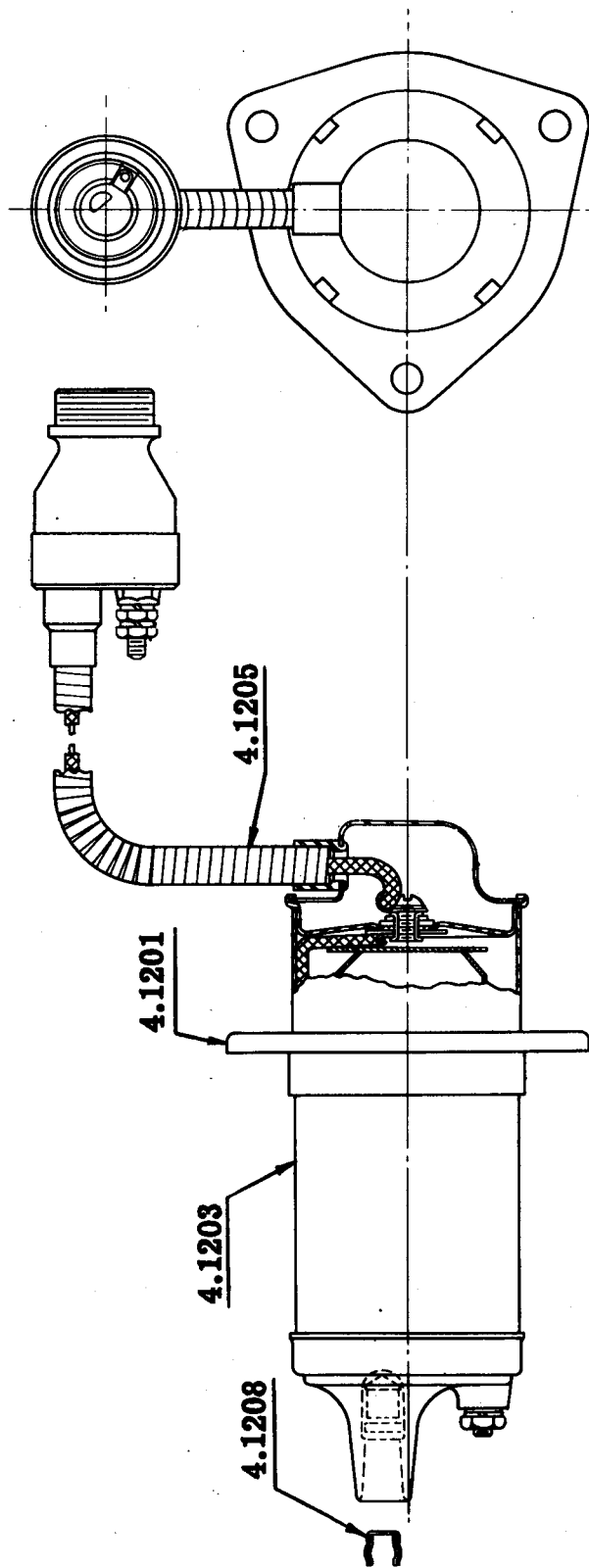
INDEX NO.	PART NO.	DESCRIPTION AND MODELS	PER CAR
HORN—Continued			
4.1038	EMBLEM, Horn ring		
	356905 (Silver) (Special) 2000-1	1	
	356905 (Silver) 2001A-3-6-10-11	1	
	362714 (Silver) 2003A-4-5-6-23	1	
	356880 (Bronze) 2007-8-23	1	
4.10384	PLATE, Horn ring emblem backing		
	362643 (Silver) 2003A-4-5-6-23	1	
	356826 (Bronze) 2007-8-23	1	
4.10385	RETAINER, Horn ring emblem		
	356831 (Chrome) 2001A-3-3A-4-5-6-7-8-23	1	
	▲379868 (Paint) 2003-6	1	
4.1039	PLATE, Horn ring contact		
	356804 2001A-3-3A-4-5-6-7-8-20-1-3-55	1	
4.10394	PIVOT, Horn ring		
	356768 (Special) 2000-1	1	
	356768 2001A-3-3A-4-5-6-7-8-10-1-20-1-3-55	1	
4.10395	SPRING, Horn ring pivot		
	356769 (Special) 2000-1	1	
	356769 2001A-3-3A-4-5-6-7-8-10-1-20-1-3-55	1	
4.10396	SPRING, Horn ring		
	356896 2001A-3-3A-4-5-6-7-8-20-1-3-55	1	
4.10397	RETAINER, Horn ring spring		
	356766 2001A-3-3A-4-5-6-7-8-20-1-3-55	1	
IGNITION CABLES—HIGH TENSION			
4.1100	CABLE SET, Electrical		
	379573 2000-10	1	
	378402 2001-11	1	
	379575 2001A-21	1	
	379572 2003-3A-5-6-7-8-23-55	1	
	379574 2020	1	
4.11001	CABLE, (H.T.), Black (Bulk stock)		
	207477 (50.900) 20th Sr.	x	
4.1102	CABLE ASSY., Ignition coil to distributor		
	378364 (High & low tension) 2000-10	1	
	373736 (High & low tension) 2001-3-6-11	1	
	367924 2001A-21	1	
	367996 LHD 2003A-4-5-7-8-23-55	1	
	367995 2020	1	
	303784 RHD 2003A-4-5-7-8-23-55	1	
4.1105	SPARK PLUG, Ignition		
	341227 (AC #104) 20th Sr.	x	
	373503 (Champion #Y-4A) 20th Sr.	x	
4.1106	CABLE ASSEMBLY, Spark plug		
	317537 #1 and #5 2000-10-20	2	
	317534 #2 and #3 2000-10-20	2	
	317535 #4 2000-10-20	1	
	351046 #6 2000-10-20	1	
	317537 #1 and #6 2001-1A-11-21	2	
	317534 #2 #4 and #5 2001-1A-11-21	3	
	317532 #3 2001-1A-11-21	1	
	351045 #7 2001-1A-11-21	1	
	351046 #8 2001-1A-11-21	1	
	351046 #1 2003-3A-4-5-6-7-8-23-55	1	
	317537 #2 2003-3A-4-5-6-7-8-23-55	1	
	317534 #3 and #4 2003-3A-4-5-6-7-8-23-55	2	
	317535 #5 2003-3A-4-5-6-7-8-23-55	2	
	351045 #6 and #7 2003-3A-4-5-6-7-8-23-55	1	
	367984 #8 2003-3A-4-5-6-7-8-23-55	1	
4.11075	INSULATOR, Spark plug cable (to distributor)		
	362119 20th Sr.	x	
4.1109	SPACER, Spark plug cable		
	320783 (3 hole) 2001-1A-3-3A-4-5-6-7-8-11-21-3-55	x	
	351027 (5 hole) 2003-3A-4-5-6-7-8-23-55	1	

INDEX NO.	PART NO.	DESCRIPTION AND MODELS	PER CAR
IGNITION CABLES—HIGH TENSION—Continued			
4.1110	TERMINAL, Spark plug cable		
	303359 (Distributor end) 20th Sr.	x	
	317540 (Plug end) 20th Sr.	x	
4.1111	TUBE ASSEMBLY, Spark plug cable		
	367667 2000-10-20	1	
	315047 2001-1A-11-21	1	
	367593 2003-3A-4-5-6-7-8-23-55	1	
4.11125	GASKET, Spark plug		
	239407 20th Sr.	x	
4.1113	NUT, Spark plug		
	239453 20th Sr.	x	
IGNITION COIL			
4.1200	COIL & SWITCH ASSEMBLY		
	371354 LHD (Delco #1116326) 2000-10	1	
	371353 LHD (A-L #CE 4659) 2000-1-3-6-10-11	1	
	367792 LHD (A-L #CE 4652) 2001A-20-1	1	
	367609 LHD (A-L #CE 4654) 2003A-4-5-7-8-23-55	1	
	367845 LHD (Delco #1116322) 2020	1	
	378755 RHD (A-L #CE 4661) 2000-1-10-11	1	
	378754 RHD (Delco) 2000-10	1	
	367793 RHD (A-L #CE 4653) 2001A-20-1	1	
	358918 RHD 2003A-4-5-7-8-23-55	1	
	367846 RHD (Delco) 2020	1	
	5502 (50.220) Lockwasher 2000-1-3-6-10-11	3	
	358442 Nut 20th Sr.	1	
	7006 (50.100) Nut 3/8-24 LHD 2003A-4-5-7-8-23-55	1	
	7477 (50.000) Screw 1/4-20 x 3/8 2000-1-3-6-10-11	3	
	7082 (50.003) Screw 3/8-24 x 3/4 LHD 2003A-4-5-7-8-23-55	1	
	5506 (50.220) Washer 3/8 LHD 2003A-4-5-7-8-23-55	1	
4.12003	CLAMP, Coil and switch assembly		
	367777 2001A-20-1	2	
	7761 (50.003) Bolt 1/4-20 x 1	1	
	7304 (50.100) Nut 1/4-20	1	
4.1201	BRACKET ASSEMBLY, Ignition coil		
	CE-2276S (A-L) 20th Sr.	1	
4.1203	COIL AND CASE ASSEMBLY, Ignition		
	D-1115001 LHD (Delco) 2000-10	1	
	CE-3224US LHD (A-L) 2000-1-1A-3-6-10-11-20-1	1	
	CE-3224ABS LHD (A-L) 2003A-4-5-7-8-23-55	1	
	D-538-Z LHD (Delco) (Supersedes D-1115029) 2020	1	
4.1205	SWITCH AND CABLE ASSEMBLY, Ignition coil		
	382425 LHD (Auto-Lite) (Supersedes 367834) 2000-1-3-6-10-11	1	
	373765 LHD (Delco) 2000-10	1	
	367833 LHD (Auto-Lite) 2001A-20-1	1	
	367843 LHD (Delco) 2020	1	
	367993 LHD (Auto-Lite) 2003A-4-5-7-8-23-55	1	
	378805 RHD (Auto-Lite) 2000-1-10-11	1	
	378804 RHD (Delco) 2000-10	1	
	367834 RHD (Auto-Lite) 2001A-20-1	1	
	362289 RHD (Auto-Lite) 2003A-4-5-7-8-23-55	1	
	367844 RHD (Delco) 2021	1	
	6859 Screw #14 x 1/2 2001A-3A-4-5-7-8-55	1	
4.12055	CLIP, Coil and switch cable (to dash)		
	358899 RHD 2003A-4-5-7-8-23-55	1	
	366619 Screw 1/4-20 x 1/2 2020-1-3	1	
4.12056	CABLE ASSEMBLY, Ignition coil switch		
	*371022 2001A-3A-4-5-7-8-20-1-3-55	1	
4.1206	CYLINDER, Coil switch lock		
	219312 20th Sr.	1	
4.1207	KEY, Ignition coil switch lock		
	182478 20th Sr.	x	

*Used with Electromatic Clutch.
 *Used on Clipper Four Door Sedans built after Jan. 1, 1942 only. All other body types have chrome trim.



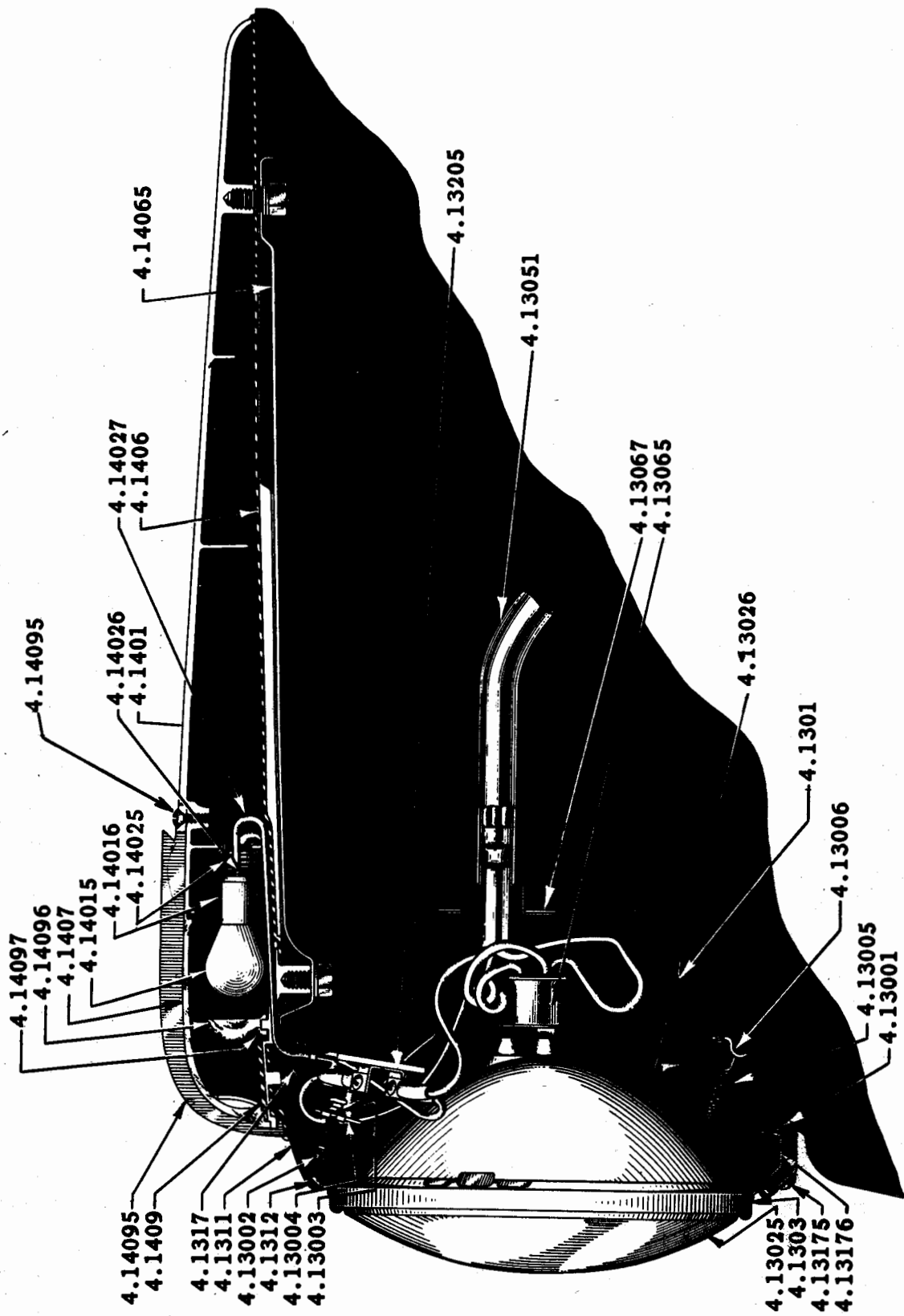
ELECTRICAL HORNS



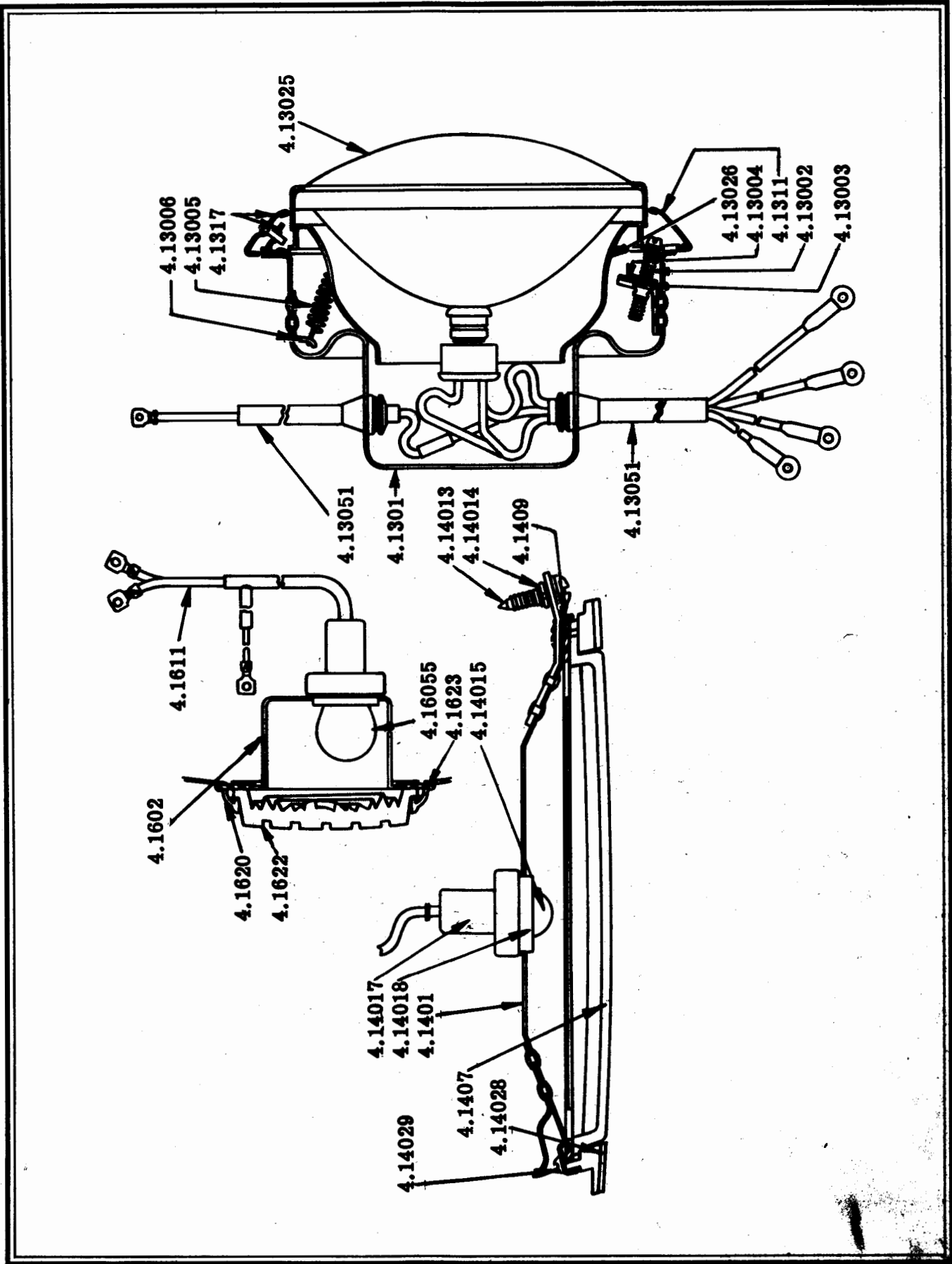
IGNITION COIL - CABLE AND SWITCH

INDEX NO.	PART NO.	DESCRIPTION AND MODELS	PER CAR	INDEX NO.	PART NO.	DESCRIPTION AND MODELS	PER CAR
IGNITION COIL—Continued				LAMP FRONT—Continued			
4.1208	TERMINAL, Ignition coil X-767 (A-L) 20th Sr.		1	4.1311	DOOR, Lamp (front) 371405 (Chrome) 2000-1-3-6-10-11		2
LAMP FRONT				4.1312	GASKET, Lamp (front) door 358078 2001A-3A-4-5-7-8-20-1-3-55		2
4.1300	LAMP, Front assembly			4.13175	SCREW, Lamp (front) door retaining 358029 (#8-32 x 3/8) 2001A-3A-4-5-7-8-20-1-3-55		2
378356	Right LHD (Chrome) 2000-1-3-6-10-11		1	4.1328	SWITCH ASSEMBLY, Foot dimmer 335477 (Not used on RHD 2000-1-10-11) 2000-1-1A-10-11-20-1		1
▲379950	Right LHD (Prime) 2000-1-3-6-10-11		1	303245	2003-3A-4-5-6-7-8-23-55		1
358122	Right LHD 2001A-3A-4-5-7-8-20-1-3-55		1	362813	RHD (Supersedes 303245) 2000-1-10-11		1
378355	Left LHD (Chrome) 2000-1-3-6-10-11		1	7477	LHD Screw 1/4-20 x 3/8		2
▲379949	Left LHD (Prime) 2000-1-3-6-10-11		1	7478	RHD Screw 1/4-20 x 1/2		2
358121	Left LHD 2001A-3A-4-5-7-8-20-1-3-55		1	5502	Lockwasher 1/4 split		2
378399	Right RHD (Chrome) 2000-1-10-11		1	4.1329	CAP, Foot dimmer switch 311729 20th Sr.		1
▲379952	Right RHD (Prime) 2000-1-10-11		1	4.1330	SPACER, Foot dimmer switch toe board 338158 RHD 2003A-4-5-7-8-23-55		2
379432	Right RHD 2001A-3A-4-5-7-8-20-1-3-55		1	4.1335	SWITCH ASSEMBLY, Instrument board lamp front 373752 2000-1-3-6-10-11		1
378398	Left RHD (Chrome) 2000-1-10-11		1	348466	2001A-3A-4-5-7-8-20-1-3-55		1
▲379951	Left RHD (Prime) 2000-1-10-11		1	4.1337	KNOB ASSY., Instrument board lamp front switch 373194 (Chrome) 2000-1-3-6-10-11		1
379431	Left RHD 2001A-3A-4-5-7-8-20-1-3-55		1	▲379858	(Paint) 2000-1-3-6-10-11		1
356938	Nut #10		x	377462	(Gray) 2001A-3A-4-5-55		1
7119	(50.300) Screw #10-5/8		x	367399	(Blue) 2020-1-3		1
4.13001	GASKET, Lamp front assembly (to fender) 371402 2000-1-3-6-10-11		2	377945	(Brown) 2020-1-3		1
356919	2001A-3A-4-5-7-8-20-1-3-55		2	367401	(Green) 2020-1-3-30		1
4.13002	SCREW, Lamp (front) adjusting 354914 20th Sr.		2	367398	(Maroon) 2020-1-3		1
4.13003	NUT, Lamp (front) adjusting screw 364548 20th Sr.		2	377897	(Brown) 2007-8		1
4.13005	SPRING, Lamp (front) adjusting 371562 2000-1-3-6-10-11		2	4.13372	SCREW, Instrument board lamp front switch knob 371415 2000-1-3-6-10-11		1
4.1301	BODY, Lamp, (front) 371924 2000-1-3-6-10-11		2	4.13375	ROD, Instrument board lamp front switch knob 373753 2000-1-3-6-10-11		1
358245	2001A-3A-4-5-7-8-20-1-3-55		2	4.13376	PLATE, Instrument board lamp front switch 364432 2001A-3A-4-5-7-8-20-1-3-55		1
4.13025	BULB, Lamp (front) 339528 LHD (Sealed beam) 20th Sr.		2	4.133765	STUD, Instrument board lamp front switch 371406 2000-1-3-6-10-11		1
379433	RHD (Sealed beam) 20th Sr.		2	358797	2001A-3A-4-5-7-8-20-1-3-55		1
4.13026	MOUNTING ASSEMBLY, Lamp (front) 371404 2000-1-3-6-10-11		2	LAMP FENDER			
358146	2001A-3A-4-5-7-8-20-1-3-55		2	4.1400	LAMP (FENDER) ASSEMBLY ▲379906 (Prime) 2000-1-3-6-10-11		2
4.1303	RETAINER, Lamp (front) bulb 354145 (Chrome) 20th Sr.		2	378430	(Chrome) 2000-1-3-6-10-11		2
▲379947	(Polished zinc) 2000-1-3-6-10-11		2	358115	2001A-3A-4-5-7-8-20-1-3-55		2
358145	Screw		2	5385	(50.230) Lockwasher 5/16		4
4.1304	SPRING, Lamp (front) bulb retainer 354146 LHD 2001A-3A-4-5-7-8-20-1-3-55		2	7005	(50.100) Nut 5/16-24		4
358164	RHD 2001A-3A-4-5-7-8-20-1-3-55		2	6359	(50.200) Washer plain 5/16		2
4.13051	CABLES AND LOOM ASSEMBLY, Lamp front 378354 LHD Right 2000-1-3-6-10-11		1	4.1401	BODY, Lamp (Fender) 378586 2000-1-3-6-10-11		2
362012	Right 2001A-3A-4-5-7-8-20-1-3-55		1	358127	2001A-3A-4-5-7-8-20-1-3-55		2
378353	LHD Left 2000-1-3-6-10-11		1	4.14013	SCREW, Lamp fender body attaching 371823 (Chrome) 2000-1-3-6-10-11		2
362011	Left 2001A-3A-4-5-7-8-20-1-3-1-55		1	▲379905	(Prime) 2000-1-3-6-10-11		2
379549	RHD Right 2000-1-10-11		1	4.14014	RETAINING WIRE, Lamp fender body attaching screw 371834 2000-1-3-6-10-11		2
371777	RHD Left 2000-1-10-11		1	4.14015	BULB, Lamp (fender) 354506 (6 Volt - Mazda #1154) 20th Sr.		2
209171	Clip 2001A-3A-4-5-7-8-55		8				
4.13065	CONNECTOR, Lamp front cable bulb 358161 2000-1-3-6-10-11		2				
4.13067	GASKET, Lamp front cable loom retainer 358153 (Paper) RHD 2001A-3A-4-5-7-8-20-1-3		2				
4.13069	JUNCTION BLOCK ASSEMBLY, Lamp front cable 351167 20th Sr.		1				
5935	Lockwasher #10		5				
7003	Nut #10-32		5				
4.1307	GROMMET, Lamp (front) cable splasher 373560 2000-1-3-6-10-11		2				

*Used on Clipper Four Door Sedans built after Jan. 1, 1942 only. All other body types have chrome trim.



LAMP FRONT



LAMPS, FRONT, FENDER AND REAR

INDEX NO.	PART NO.	DESCRIPTION AND MODELS	PER CAR
LAMP FENDER—Continued			
4.14016	SOCKET, Lamp (fender) bulb		
354511	2001A-3A-4-5-7-8-20-1-3-55	2
4.14017	SOCKET AND CABLE ASSY., Lamp fender bulb		
378591	2000-1-3-6-10-11	2
4.14018	LINER, Lamp fender bulb socket		
371841	2000-1-3-6-10-11	2
4.14025	SPRING, Lamp (fender) bulb socket		
335853	2001A-3A-4-5-7-8-20-1-3-55	2
4.14026	WASHER, Lamp (fender) bulb socket		
333865	2001A-3A-4-5-7-8-20-1-3-55	2
4.14027	CABLE ASSEMBLY, Lamp (fender)		
358136	2001A-3A-4-5-7-8-20-1-3-55	2
4.14028	DOOR, Lamp fender		
378588	(Chrome) 2000-1-3-6-10-11	2
▲379886	(Prime) 2000-1-3-6-10-11	2
4.14029	SCREW, Lamp fender door attaching		
371849	(Chrome) 2000-1-3-6-10-11	8
▲379884	(Paint) 2000-1-3-6-10-11	8
4.1406	GASKET, Lamp (fender) (to fender)		
356975	2001A-3A-4-5-7-8-20-1-3-55	2
4.14065	RETAINER, Lamp (fender) (to fender) gasket		
358018	2001A-3A-4-5-7-8-20-1-3-55	2
4.1407	GLASS, Lamp (fender)		
378587	2000-1-3-6-10-11	2
358100	2001A-3A-4-5-7-8-20-1-3-55	2
4.1409	GASKET, Lamp (fender) glass		
378589	2000-1-3-6-10-11	2
358001	2001A-3A-4-5-7-8-20-1-3-55	2
4.14095	MOULDING, Lamp (fender) glass		
356918	2001A-3A-4-5-7-8-20-1-3-55	2
7084	(50.025) Screw #8/32 x 1/2	2
4.14096	LENS, Lamp (fender)		
358102	(Inner) 2001A-3A-4-5-7-8-20-1-3-55	2
4.14097	RETAINER, Lamp (fender) lens		
358324	(Inner) 2001A-3A-4-5-7-8-20-1-3-55	2

LAMP READING (Instrument Board)

4.1502	BULB, Instrument board reading light		
225655	(Mazda #55 1-1/2 C.P.) 20th Sr.	1
4.15024	SHIELD, Instrument board reading light bulb		
364031	2001A-3A-4-5-7-8-20-1-3-55	1
4.15025	SOCKET & CABLE ASSY., Instrument board reading light bulb		
358707	2001A-3A-4-5-7-8-20-1-3-55	1
4.1505	SOCKET, Instrument board reading light bulb		
358706	2001A-3A-4-5-7-8-20-1-3-55	1
4.15056	CLAMP, Instrument board reading light bulb socket		
358696	2001A-3A-4-5-7-8-20-1-3-55	1
7650	(50.300) Screw #8 x 1/4 tapping	1
4.1506	CONTACT, Instrument board reading light cable socket		
225262	2001A-3A-4-5-7-8-20-1-3-55	1
4.1507	SPRING, Instrument board reading light cable socket		
225263	2001A-3A-4-5-7-8-55	1
4.1509	SWITCH ASSY., Instrument board reading light		
373798	2000-1-3-6-10-11	1
378442	2001A-3A-4-5-7-8-20-1-3-55	1

INDEX NO.	PART NO.	DESCRIPTION AND MODELS	PER CAR
LAMP READING (Instrument Board)—Continued			
4.1509	SWITCH ASSY., Instrument board reading light		
	(Cont'd)		
371416	Nut 2000-1-3-6-10-11	1
362083	Stud 2001A-3A-4-5-7-8-20-1-3-55	1
358458	Stud gasket	1
4.1513	KNOB ASSY., Instrument board reading light switch		
371375	(Chrome) (Map light) 2000-1-3-6-10-11	1
▲379861	(Macoid) (Map light) 2000-1-3-6-10-11	1
377459	(Gray) 2001A-3A-4-5-55	1
377958	(Brown) 2007-8	1
364354	(Blue) 2020-1-3	1
378277	(Brown) 2020-1-3	1
364356	(Green) 2020-1-3-30	1
364353	(Maroon) 2020-1-3	1

LAMP REAR

4.1600	LAMP REAR ASSY., (See Index 30.634 for other rear lamps.)		
371570	Right (Chrome) 2000-1	1
▲379877	Right (Prime) 2000-1	1
377655	Right (Chrome) (Directional signal type) 2000-1	1
▲379881	Right (Prime) (Directional signal type) 2000-1	1
377655	Right (Chrome) 2003-6-10-11	1
▲379881	Right (Prime) 2003-6-10-11	1
377528	Right LHD 2004-5-7-8	1
377530	Right LHD (Not used on 2030) 2020-1-3	1
362164	Right LHD 2055	1
377528	Right LHD (Directional signal type) 2055	1
371569	Left (Chrome) 2000-1	1
▲379876	Left (Prime) 2000-1	1
377656	Left (Chrome) (Directional signal type) 2000-1	1
▲379880	Left (Prime) (Directional signal type) 2000-1	1
337656	Left (Chrome) 2003-6-10-11	1
▲379880	Left (Prime) 2003-6-10-11	1
377527	Left LHD 2004-5-7-8	1
377529	Left LHD (Not used on 2030) 2020-1-3	1
362163	Left LHD 2055	1
377527	Left LHD (Directional signal type) 2055	1
362168	RHD Right 2004-5-7-8	1
362166	RHD Right 2020-1	1
362170	RHD Right 2023	1
362167	RHD Left 2004-5-7-8	1
362165	RHD Left 2020-1	1
5502	(50.220) Lockwasher 1/4 2000-1-3-6-10-11	8
5447	(50.230) Lockwasher 1/4 2004-5-7-8-20-1-3	4
7004	(50.100) Nut 1/4-28 20th Sr.	8
362390	Stud RHD 2020-1	4
4.16005	BEAD, Lamp rear right assembly		
362536	Right 2004-5-7-8	1
362539	Right LHD 2020-1-3	1
362536	Right LHD (Use with directional signal type lamp) 2055	1
362535	Left 2004-5-7-8	1
362540	Left LHD 2020-1-3	1
362535	Left LHD (Use with directional signal type lamp) 2055	1
362539	RHD Right 2023	1
362540	RHD Left 2023	1
362533	Clip 2004-5-7-8	2
362533	Clip (Use with directional signal type lamp)	2
362533	Clip RHD 2023	2
4.16006	BEAD, Lamp rear left assembly		
362537	Right 2004-5-7-8	1
362538	Right LHD 2020-1-3	1
362537	Right LHD (Use with directional signal type lamp) 2055	1
362534	Left 2004-5-7-8	1

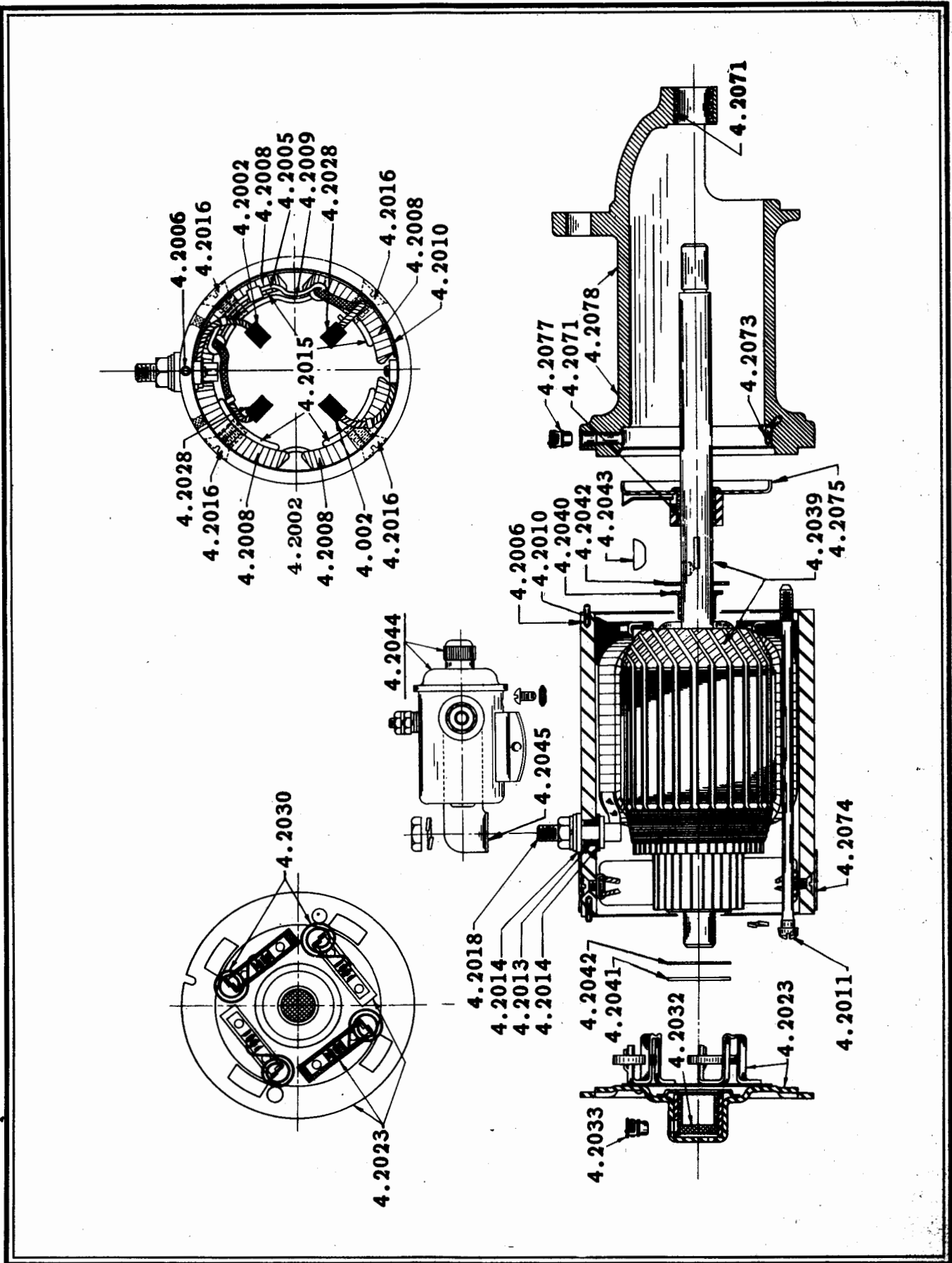
*Used on Chevrolet Four Door Sedans built after Jan. 1, 1942 only. All other body types have chrome trim.

INDEX NO.	PART NO.	DESCRIPTION AND MODELS	PER CAR	INDEX NO.	PART NO.	DESCRIPTION AND MODELS	PER CAR
LAMP REAR—Continued				LAMP REAR—Continued			
4.16006	BEAD, Lamp rear left assembly (Cont'd)			4.1611	CABLE ASSEMBLY LAMP (rear)		
	362541 Left LHD 2020-1-3		1	371916	Right 2000-1		1
	362534 Left LHD (Use with directional signal type lamp) 2055		1	379162	Right (Used on directional signal type lamp) 2000-1-3-6-10-11		1
	362538 Right RHD 2023		1	362528	Right (Not used on 2020-1-3 RHD) 2004-5-7-8 20-1-3		1
	362541 Left RHD 2023		1	367948	Right 2055		1
4.1601	GASKET, Lamp (rear) assembly			362528	Right (Use with directional signal type lamp) 2055		1
	371621 Right (To body) 2000-1		1	371741	Left 2000-1		1
	371620 Left (To body) 2000-1		1	379161	Left (Used on directional signal type lamp) 2000-1-3-6-10-11		1
	378061 (To body) (Use with directional signal lamp) 2000-1-3-6-10-11		2	362527	Left (Not used on 2020-1-3 RHD) 2004-5-7-8 20-1-3		1
	362272 (To body) 2004-5-7-8		2	367947	Left 2055		1
	362333 (To body) 2055		2	362527	Left (Used with directional signal type lamp) 2055		1
	362272 (To body) (Use with directional signal type lamp) 2055		2	362397	RHD Right 2020-1		1
	371233 LHD Right (To body) 2020-1-3		1	362528	RHD Right 2023		1
	362349 LHD (To body) Left 2020-1-3		1	362396	RHD Left 2020-1		1
	362334 RHD (To body) 2020-1		2	362527	RHD Left 2023		1
	371233 RHD Right (To body) 2023		1				
	362349 RHD Left (To body) 2023		1	4.1620	DOOR, Lamp (rear)		
4.1602	BODY, Lamp (rear)			371580	(Chrome) Right 2000-1		1
	371739 Right 2000-1		1	▲379879	(Prime) Right 2000-1		1
	379209 Right (Used on directional signal type lamp) 2000-1-3-6-10-11		1	379056	(Chrome) Right (Used on directional signal type lamp) 2000-1-3-6-10-11		1
	362609 Right 2004-5-7-8		1	▲379883	(Prime) Right (Used on directional signal type lamp) 2000-1-6-10-11		1
	362611 Right LHD 2020-1-3		1	371579	(Chrome) Left 2000-1		1
	362387 Right LHD 2055		1	▲379878	(Prime) Left 2000-1		1
	362609 Right LHD (Use with directional signal type lamp) 2055		1	379055	(Chrome) Left (Used on directional signal type lamp) 2000-1-3-6-10-11		1
	371738 Left 2000-1		1	▲379882	(Prime) Left (Used on directional signal type lamp) 2000-1-3-6-10-11		1
	379208 Left (Used on directional signal type lamp) 2000-1-3-6-10-11		1	362398	2055		2
	362608 Left 2004-5-7-8		1	362398	RHD 2020-1		2
	361671 Left 2008		1	362400	Screw RHD 2020-1		2
	362610 Left LHD 2020-1-3		1	379166	Screw (Chrome) 2000-1-3-6-10-11		4
	362386 Left LHD 2055		1	379884	Screw (Prime) 2000-1-3-6-10-11		4
	362609 Left LHD (Use with directional signal type lamp) 2055		1	362400	Screw LHD 2055		2
	362389 RHD Right 2020-1		1	373015	Stud 2000-1-3-6-10-11		1
	362611 RHD Right 2023		1				
	362388 RHD Left 2020-1		1	4.1622	GLASS, Lamp (rear) door		
	362610 RHD Left 2023		1	371615	Right 2000-1		1
	379170 Nut 2003-6-10-11		4	379053	Right (Used on directional signal type lamp) 2000-1-3-6-10-11		1
4.16025	BEAD, Lamp (rear) body			371614	Left 2000-1		1
	362520 2004-5-7-8-20-1-3		2	379052	Left (Used on directional signal type lamp) 2000-1-3-6-10-11		1
	362520 (Use with directional signal type lamp) 2055		2	362521	Lower (Not used on 2020-1 RHD) 2004-5-7-8-20-1-3		2
4.16055	BULB, Lamp (rear)			377539	Upper (Not used on 2020-1-3 RHD) 2004-5-7-8-20-1-3		2
	354506 (50.960) (Mazda #1154, 6 Volt-21-3-C-P) 20th Sr.		2	362402	LHD 2055		2
	327656 (50.960) (Mazda #1129, 6 Volt-21-C-P) (Not used on 2000-1-55 unless equipped with directional signal) 20th Sr.		2	362521	Lower (Use with directional signal type lamp) 2055		2
4.1606	SUPPORT PLATE AND CABLE ASSY., Lamp (rear) bulb socket			377539	Upper (Used with directional signal type lamp) 2055		2
	362538 RHD Right 2023		1	362570	Upper RHD 2004-5-7-8-23		2
4.1608	SOCKET, Lamp (rear) bulb			362402	RHD 2020-1		2
	377559 Lower 2004-5-7-8-20-1-3		2				
	362620 Upper 2004-5-7-8-20-1-3		2	4.1623	GASKET, Lamp (rear) door glass		
	377559 Lower (Use with directional signal type lamp) 2055		2	377641	2000-1		2
	362620 Upper (Use with directional signal type lamp) 2055		2	382303	(To door) (felt) (Used on directional signal type lamp) 2000-1-3-6-10-11		2
	354511 LHD 2055		2	379167	(To body) (Rubber) (Used on directional signal type lamp) 2000-1-3-6-10-11		2
	377559 RHD Lower 2023		2	362524	(To body bead) 2004-5-7-8-20-1-3		2
	362620 RHD Upper 2023		2	362571	(To retaining bead long) 2004-5-7-8-20-1-3		2
4.16085	RUBBER BOOT, Lamp rear bulb socket			377552	(To retaining bead short) 2004-5-7-8-20-1-3		2
	379787 (Use on directional signal type lamp) 2000-1-3-6-10-11		2	362403	2055		2

▲Used on Clipper Four Door Sedans built after Jan. 1, 1942 only. All other body types have chrome trim.

INDEX NO.	PART NO.	DESCRIPTION AND MODELS	PER CAR
LAMP REAR—Continued			
4.1623	GASKET, Lamp (rear) door glass (Cont'd)		
	362524 LHD (to body bead) (Use with directional signal type lamp) 2055		2
	362571 LHD (to ret. bead long) (Use with directional signal type lamp) 2055		2
	377552 LHD (to ret. bead short) (Use with directional signal type lamp) 2055		2
	362399 RHD (Paper) 2020-1		2
	362403 RHD (Sponge rubber) 2020-1		2
	377552 RHD (to ret. bead-short) 2023		2
	362571 RHD (to ret. bead-long) 2023		2
4.16245	BEAD, Lamp (rear) door glass retaining		
	362522 2004-5-7-8-20-1-3		2
	362522 RHD 2023		2
4.16246	YOKE, Lamp (rear) door glass & bead retaining		
	362523 2004-5-7-8-20-1-3		2
	362523 LHD (Use with directional signal type lamp) 2055		2
	362523 RHD 2023		2
	303420 Screw 2004-5-7-8-20-1-3-55		2
	303420 Screw RHD 2023		2
4.1625	SPRING, Lamp (rear) door retaining		
	362532 2004-5-7-8-20-1-3		2
	362532 LHD (Use with directional signal type lamp) 2055		2
	362525 Rivet		2
4.1629	JEWEL, Lamp (rear)		
	362542 2004-5-7-8		2
	362542 LHD (Use with directional signal type lamp) 2055		2
	362542 (Not used on RHD 2020-1) 2020-1-3		2
4.16415	FUSE, Electrical lamp (rear)		
	302121 2001A-3A-4-5-7-8-20-1-3		1
	302121 LHD (Use with directional signal type lamp) 2055		1
4.1642	FUSE CONTAINER & CABLE ASSEMBLY, Lamp (rear)		
	362875 2001A-3A-4-5-7-8-20-1-3		1
	362875 LHD (Use with directional signal type lamp) 2055		1
4.1646	SWITCH, Electrical stop light		
	36862 20th Sr.		1
4.1650	SIGNAL AND LAMP ASSEMBLY, Lamp rear backing		
	367012 2030		1
	367019 (50.003) Screw 3/8-24 x 3/4		1
	126770 (50.200) Washer		2
	6902 (50.120) Locknut 3/8-24		2
4.16505	GASKET, Lamp rear backing signal (to bumper stone shield)		
	358458 2030		1
4.1651	SWITCH ASSEMBLY, Lamp rear backing signal		
	351362 2030		1
	351518 Nut 7/16-20		2
4.1652	BRACKET, Lamp rear backing signal switch		
	351087 2030		1
4.1653	CABLE ASSEMBLY, Lamp rear backing signal switch (to head lamp switch)		
	367013 2030		1
	33287 (50.925) Terminal		1
	36111 (50.935) Insulator		1
4.1655	GASKET, Lamp (rear) signal bulb retainer		
	377536 2004-5-7-8-20-1-3		2
	377536 LHD (Use with directional signal type lamp) 2055		2

INDEX NO.	PART NO.	DESCRIPTION AND MODELS	PER CAR
LAMP—TELL TALE			
4.166	TELL TALE LAMP ASSEMBLY, Instrument board		
	369496 2030		1
4.1665	BULB, Tell tale lamp		
	102585 (Mazda #81) 2030		1
4.167	SWITCH, Tell tale lamp		
	342165 (door operated) 2030		2
	7794 Screw #4 x 1/2		2
SPEEDOMETER LIGHT			
4.1700	BULB, Instrument board speedometer light		
	225655 (Mazda #55 -1-1/2 C.P.) 20th Sr.		1
4.17007	SOCKET ASSEMBLY, Instrument board speedometer direction signal indicator light.		
	377731 Right 20th Sr.		1
	377730 Left 20th Sr.		1
STARTER			
4.1800	MOTOR ASSEMBLY, Starter		
	378810 (Autolite #MAW 4027) 2000-1-1A-10-11-20-1		1
	362866 (Delco #1107037) (Solenoid has 1 small top terminal) 2000-10-20		1
	378811 (Delco #1107056) (Solenoid has 2 small top terminals) 2000-10-20		1
	378812 (Autolite #MAX 4052) 2003-3A-4-5-6-7-8-23-55		1
	5508 (50.220) Lockwasher 7/16 2000-1-1A-10-20		2
	5510 (50.220) Lockwasher 1/2 2003-3A-4-5-6-7-8-23-55		2
	7246 (50.003) Screw 7/16-14 x 1-1/8 2000-1-1A-10-11-20-1		2
	7879 (50.003) Screw 1/2-13 x 1-1/2 2003-3A-4-5-6-7-8-23-55		2
4.2002	BRUSH ASSEMBLY		
	D-813554 (Delco) 2000-10-20		x
	MAW - 13 (A-L) (grounded) 20th Sr.		2
4.2003	BRUSH		
	D-811553 (Delco) 2000-10-20		x
	MAW - 12 (A-L) 20th Sr.		2
4.2006	DOWEL PIN		
	D-809062 (Delco) (C.E.) 2000-10-20		x
	D-809593 (Delco) (D.E.) 2000-10-20		x
	MN - 21 (A-L) 20th Sr.		2
4.2007	EQUALIZER		
	MAW - 59 (A-L) 2000-1-1A-10-11-20-1		1
	MAX - 58 (A-L) 2003-3A-4-5-6-7-8-23-55		1
4.2008	COIL, Field		
	D-821522 (Delco) Right 2000-10-20		x
	MAW 1010A (A-L) Right 2000-1-1A-10-11-20		1
	MAX 1008S (A-L) Right Lower 2003-3A-4-5-6-7-8-23-55		1
	MAX 1010D (A-L) Right Upper 2003-3A-4-5-6-7-8-23-55		1
	D-821523 (Delco) Left 2000-10-20		x
	MAW 1009A (A-L) Left 2000-1-1A-10-11-20-1		1
	MAX 1009S (A-L) Left Lower 2003-3A-4-5-6-7-8-23-55		1
	MAX 1007D (A-L) Left Upper 2003-3A-4-5-6-7-8-23-55		1
4.2011	FRAME SCREW		
	MW20A (A-L) 2000-1-1A-10-11-20-1		2
4.2013	BUSHING, Insulating		
	MAB - 85 (A-L) 2000-1-1A-10-11-20-1		1
	MAW - 37 (A-L) 2003-3A-4-5-6-7-8-23-55		1



STARTER MOTOR

INDEX NO.	PART NO.	DESCRIPTION AND MODELS	PER CAR	INDEX NO.	PART NO.	DESCRIPTION AND MODELS	PER CAR
STARTER—Continued				STARTER—Continued			
4.2014		WASHER, Insulator		4.2052		GEAR, Starter clutch shaft	
	MAB-31 (A-L)	2000-1-1A-10-11-20-1	1		MAW-74 (A-L)	2003-3A-4-5-6-7-8-23-55	1
	MAK-80 (A-L)	2000-1-1A-10-11-20-1	1	4.2053		COVER, Dust	
	DK-45 (A-L)	2003-3A-4-5-6-7-8-23-55	1		MLA-42 (A-L)	2003-3A-4-5-6-7-8-23-55	1
	MAX-35 (A-L)	2003-3A-4-5-6-7-8-23-55	1	4.2054		PLATE, Dust	
4.2015		POLE PIECE			MLA-38 (A-L)	2003-3A-4-5-6-7-8-23-55	1
	D-810601 (Delco)	2000-10-20	x	4.2055		RETAINER, Felt	
	MAW-29 (A-L)	20th Sr.	4		MAW-71 (A-L)	2003-3A-4-5-6-7-8-23-55	1
4.2016		POLE PIECE SCREW		4.2056		WASHER, Felt	
	D-1881869 (Delco)	2000-10-20	x		MAW-70 (A-L)	2003-3A-4-5-6-7-8-23-55	1
	GK-38 (A-L)	20th Sr.	4	4.2057		GASKET	
4.2018		TERMINAL POST			MAX-37 (A-L)	2003-3A-4-5-6-7-8-23-55	1
	MAT-28 (A-L)	2000-1-1A-10-11-20-1	1	4.2058		GUARD, Felt	
	MAX-48 (A-L)	2003-3A-4-5-6-7-8-23-55	1		MAW-72 (A-L)	2003-3A-4-5-6-7-8-23-55	1
4.2023		COMMUTATOR END HEAD ASSEMBLY		4.2059		LINK, Pin	
	D-813550 (Delco)	2000-10-20	x		SS-56 (A-L)	2003-3A-4-5-6-7-8-9-23-55	1
	MAW-2002A (A-L)	2000-1-1A-10-11-20-1	1		SS-133 (A-L)	2003-3A-4-5-6-7-8-9-23-55	1
	MAX-3059 (A-L)	2003-3A-4-5-6-7-8-23-55	1	4.2060		THRUST WASHER	
4.2030		SPRING, Brush			MAW-73 (A-L)	2003-3A-4-5-6-7-8-23-55	1
	D-813521 (Delco)	2000-10-20	x	4.2061		YOKE ASSEMBLY	
	MZ-19 (A-L)	20th Sr.	4		MLA-2037 (A-L)	2003-3A-4-5-6-7-8-23-55	1
4.2032		FELT PAD		4.2062		BUSHING, Yoke pivot	
	MAD-110 (A-L)	20th Sr.	1		MAX-41 (A-L)	2003-3A-4-5-6-7-8-23-55	1
4.2033		OILER			MAX-42 (A-L)	2003-3A-4-5-6-7-8-23-55	1
	D-1880642 (Delco) (C-E)	2000-10-20	x	4.2063		SPRING, Yoke	
	X-390 (A-L)	20th Sr.	1		MLA-41 (A-L)	2003-3A-4-5-6-7-8-23-55	1
4.2039		ARMATURE ASSEMBLY		4.2064		PIN, Yoke spring	
	D-1878077 (Delco)	2000-10-20	1		MLA-1035 (A-L)	2003-3A-4-5-6-7-8-23-55	1
	MAW-2128 (A-L)	2000-1-1A-10-11-20-1	1	4.2065		WOODRUFF KEY	
	MAW-2069 (A-L)	2003-3A-4-5-6-7-8-23-55	1		X-261 (A-L) No. 6	2003-3A-4-5-6-7-8-23-55	1
4.2041		WASHER, Steel		4.2071		ABSORBENT BRONZE BEARING	
	MAK-61 (A-L) (5/8")	20th Sr.	1		D-810620 (Delco) (D.E.)	2000-10-20	x
4.2042		THRUST WASHER			D-1838670 (Delco) (Center)	2000-10-20	x
	MU-54 (A-L) (1/32" thick)	20th Sr.	2		MAW-130 (A-L)	2000-1-1A-10-11-20-1	1
4.2043		WOODRUFF KEY			MG-77A (A-L) (Pinion housing)	2000-1-1A-10-11-20-1	1
	D-124546 (Delco)	2000-10-20	x		MAW-77 (A-L)	2003-3A-4-5-6-7-8-23-55	1
	X-261 (A-L) No. 6	2000-1-1A-10-11-20-1	1		MG-77A (A-L) (Intermediate plate)	2003-3A-4-5-6-7-8-23	1
4.2044		SWITCH, Solenoid starting			MP-41A (A-L) (Pinion housing)	2003-3A-4-5-6-7-8-23	1
	D-1452 (Delco) (Has 1 small top terminal)	2000-10-20	1	4.2072		BENDIX DRIVE ASSEMBLY	
	D-1460 (Delco) (Has 2 small top terminals)	2000-10-20	1		D-1878079 (Delco)	2000-10-20	x
	SS-4025 (A-L)	2000-1-1A-10-11-20-1	1		EBA-33 (A-L)	2000-1-1A-10-11-20-1	1
	SS-4205 (A-L)	2003-3A-4-5-6-7-8-23-55	1	4.2073		DOWEL PIN	
4.2045		CONNECTOR			MAW-131 (A-L)	2000-1-1A-10-11-20-1	1
	MAW-66R (A-L)	2000-1-1A-10-11-20-1	1		MN-21 (A-L)	2003-3A-4-5-6-7-8-23-55	1
	SS-132 (A-L)	2003-3A-4-5-6-7-8-23-55	1	4.20731		SPRING, Drive	
4.2046		CORE ASSEMBLY, (Moving)			EBA-2105 (A-L)	2000-1-1A-10-11-20-1	1
	SS-1128 (A-L)	2003-3A-4-5-6-7-8-23-55	1	4.20733		SPRING, Anti-drift	
4.2047		CORE			EBA-1213 (A-L)	2000-1-1A-10-11-20-1	1
	SS-128 (A-L)	2003-3A-4-5-6-7-8-23-55	1	4.20734		SPRING, Meshing	
4.2048		LINK SCREW			EBA-1225 (A-L)	2000-1-1A-10-11-20-1	1
	SS-59 (A-L)	2003-3A-4-5-6-7-8-23-55	1	4.20736		PINION ASSEMBLY	
4.2049		SPRING			EBA-1232 (A-L)	2000-1-1A-10-11-20-1	1
	SS-61 (A-L)	2003-3A-4-5-6-7-8-23-55	1	4.20737		RING RETAINING	
4.2050		CLUTCH ASSEMBLY, Starter			EBA-1233 (A-L)	2000-1-1A-10-11-20-1	1
	MAX-3075 (A-L)	2003-3A-4-5-6-7-8-23-55	1	4.2074		HEAD BAND ASSEMBLY	
4.2051		SHAFT, Starter clutch			D-817114 (Delco)	2000-10-20	1
	MAW-122 (A-L)	2003-3A-4-5-6-7-8-23-55	1		MAB-1024M (A-L)	20th Sr.	1

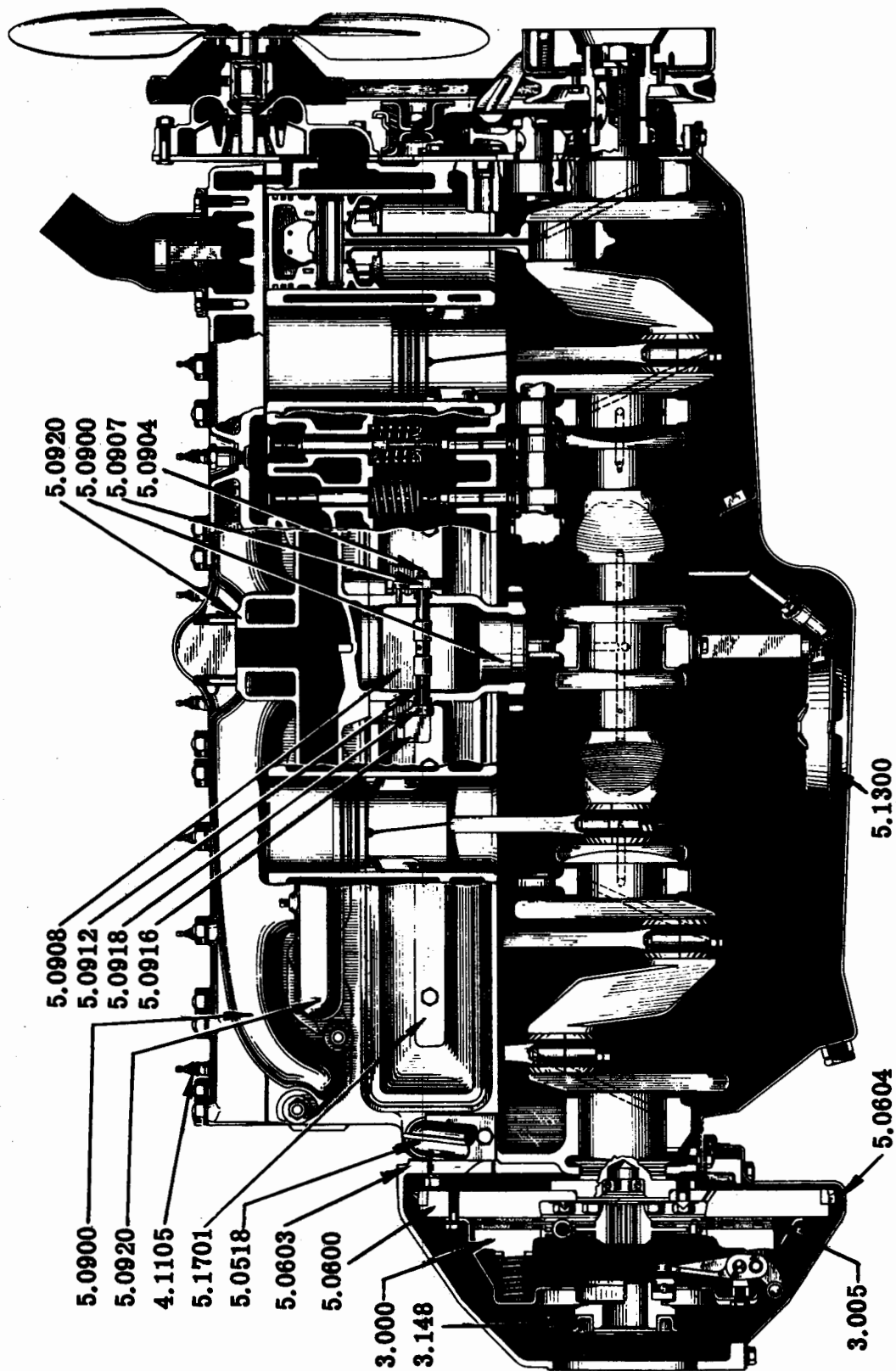
INDEX NO.	PART NO.	DESCRIPTION AND MODELS	PER CAR
STARTER—Continued			
4.2075	INTERMEDIATE BEARING ASSEMBLY MAW-2129 (A-L) 2000-1-1A-10-11-20-1	1	
4.2076	INTERMEDIATE PLATE ASSEMBLY MAX-1063 (A-L) 2003-3A-4-5-6-7-8-23-55	1	
4.2077	OILER - PRESS IN TYPE 1/4 X-489 (A-L) 2003-3A-4-5-6-7-8-23-55	1	
4.2078	PINION HOUSING ASSEMBLY D-1882370 (Delco) 2000-10-20 PS-1179 (A-L) 2000-1-1A-10-11-20-1 PS-1167 (A-L) 2003-3A-4-5-6-7-8-23-55 MAW-131 Dowel pin (A-L) 2000-1-1A-10-11-20-1 MN-21 Dowel pin (A-L) 2003-3A-4-5-6-7-8-23-55	1 1 1 1 1	
4.20781	PLUG, Pipe 1/8" 8X-865 (A-L) 2003-3A-4-5-6-7-8-23-55	1	
4.20782	THRUST WASHER MN-18 (A-L) 2003-3A-4-5-6-7-8-23-55	1	
STEERING DIRECTIONAL SIGNAL			
4.21075	SIGNAL EQUIPMENT, Steering directional 379557 2001A	1	
4.21080	RESISTOR, Steering directional signal 378991 20th Sr.	2	
4.21081	CAP AND CABLE ASSEMBLY, Steering directional signal resistor 379009 20th Sr.	2	
4.210813	CONTAINER ASSEMBLY, Steering directional signal resistor 379032 Right 20th Sr. 379007 Left 20th Sr.	1 1	
4.21082	SWITCH AND CABLE ASSY., Steering direction signal (When ordering Clipper round shaft type please give vehicle number.) 378218 LHD (Has round shaft) 2000-1-3-6-10-11 382428 LHD (Has D shaped shaft) 2000-1-3-6-10-11 379735 LHD 2001A-3A-4-5-7-8-20-1-3-55	1 1 1	
4.21084	CONNECTOR, Steering direction signal switch cable 373368 (2 wire) LHD 20th Sr. 373372 (4 wire) LHD 20th Sr.	x 2	
4.21086	FLASHER, Steering direction signal switch 362473 LHD 20th Sr. 5502 (50.220) Lockwasher 1/4 7304 (50.100) Nut 1/4 7129 (50.003) Screw 1/4-20 x 1/2 5937 (50.200) Washer 1/4	1 1 1 1 1	
4.21088	FUSE, Steering direction signal switch 353362 LHD 20th Sr.	1	
4.21089	CABLE AND CAP ASSEMBLY, Steering direction signal switch fuse 377577 LHD 20th Sr.	1	
4.2109	CABLE AND CONTAINER ASSEMBLY, Steering direction signal switch fuse 377578 20th Sr.	1	
4.21092	LEVER ASSEMBLY, Steering direction signal switch 379596 (Brown) (Fits round shaft switch) 2000-1 382421 (Brown) (Fits "D" shaped shaft switch) 2000-1 379600 LHD (Gray) 2001A-3A-4-5-55 379598 LHD (Gray) (Fits round shaft switch) 2003-6 382423 LHD (Gray) (Fits "D" shaped shaft switch) 2003-6 379601 LHD (Brown) 2007-8	1 1 1 1 1 1	

INDEX NO.	PART NO.	DESCRIPTION AND MODELS	PER CAR
STEERING DIRECTIONAL SIGNAL—Continued			
4.21092	LEVER ASSEMBLY, Steering direction signal switch (Cont'd) 379597 LHD (Blue) (Fits round shaft switch) 2010-11 382422 LHD (Blue) (Fits "D" shaped shaft switch) 2010-11 379602 LHD (Blue) 2020-1-3 379599 LHD (Brown) 2020-1-3 379603 LHD (Green) 2020-1-3 379604 LHD (Maroon) 2020-1-3 378035 Nut	1 1 1 1 1 1	
4.21094	PIN, Steering direction signal switch shut-off 377356 20th Sr.	2	
4.21096	HARNESS ASSY., Steering direction signal wiring 378841 Front 2000-1-10-11	1	
TRANSMISSION ECONO DRIVE			
4.2200	SWITCH, Accelerator solenoid 347496 20th Sr. 6674 (50.230) Lockwasher 9/16 335409 Nut 7003 (50.100) Nut #10-32 20th Sr. 333723 Screw 20th Sr.	1 1 1 1 1	
4.2201	BRACKET, Accelerator solenoid switch 335894 RHD 2001A-3A-4-5-7-8-20-1-3-55 5504 (50.220) Lockwasher 5/16 7005 (50.100) Nut 5/16-24 5575 (50.003) Screw 5/16-24 x 7/8	1 1 1 1	
4.2203	CABLE AND FUSE CONTAINER ASSEMBLY, E.D. relay (to starter motor) 364058 2000-1-1A-10-11-20-1 364059 2003-3A-4-5-6-7-8-23-55	1 1	
4.22035	FUSE, E.D. relay (to starter motor) cable 362461 20th Sr.	1	
4.2208	HARNESS ASSEMBLY, Electrical wiring 378621 LHD Front 2000-1-10-11 378613 LHD Front 2001A-21 378623 LHD Front 2003-6 378614 LHD Front 2003A-4-5-7-8-23-55 378612 LHD Front 2020 351472 LHD (Auxiliary) (To transmission) 2001A-3A-4-5-7-8-20-21-23-55 379364 RHD (Auxiliary) (To transmission) 2000-1-10-11 379305 RHD (Auxiliary) 2000-1-10-11 351978 RHD (Auxiliary) (To transmission) 2001A-3A-4-5-7-8-20-21-23-55 378615 RHD (Auxiliary) 2001A-3A-4-5-7-8-20-1-3-55	1 1 1 1 1 1 1 1 1	
4.22085	CLIP, Wiring harness assembly (auxiliary) (to frame) 373608 LHD 2000-1-3-6-10-11 209171 LHD 2001A-3A-4-5-7-8-20-21-23-55	2 2	
4.22086	CLIP, Electrical wiring harness assy., (auxiliary) (to E.D. trans. cover) screw 371212 LHD 2000-1-3-6-10-11 67277 LHD 2001A-3A-4-5-7-8-20-21-23-55	1 1	
4.2209	STRAP, Wiring harness assembly 203905 2001A-3A-4-5-7-8-20-21-23-55	x	
4.22091	GUARD, Frame transmission E.D. solenoid 347631 LHD 2001A-3A-4-5-7-8-20-1-3-55 229302 LHD Screw 1/4-20 x 1/2	1 3	
4.22105	BULB, Instrument board panel E.D. indicator light 225655 (Mazda #55) 20th Sr.	1	

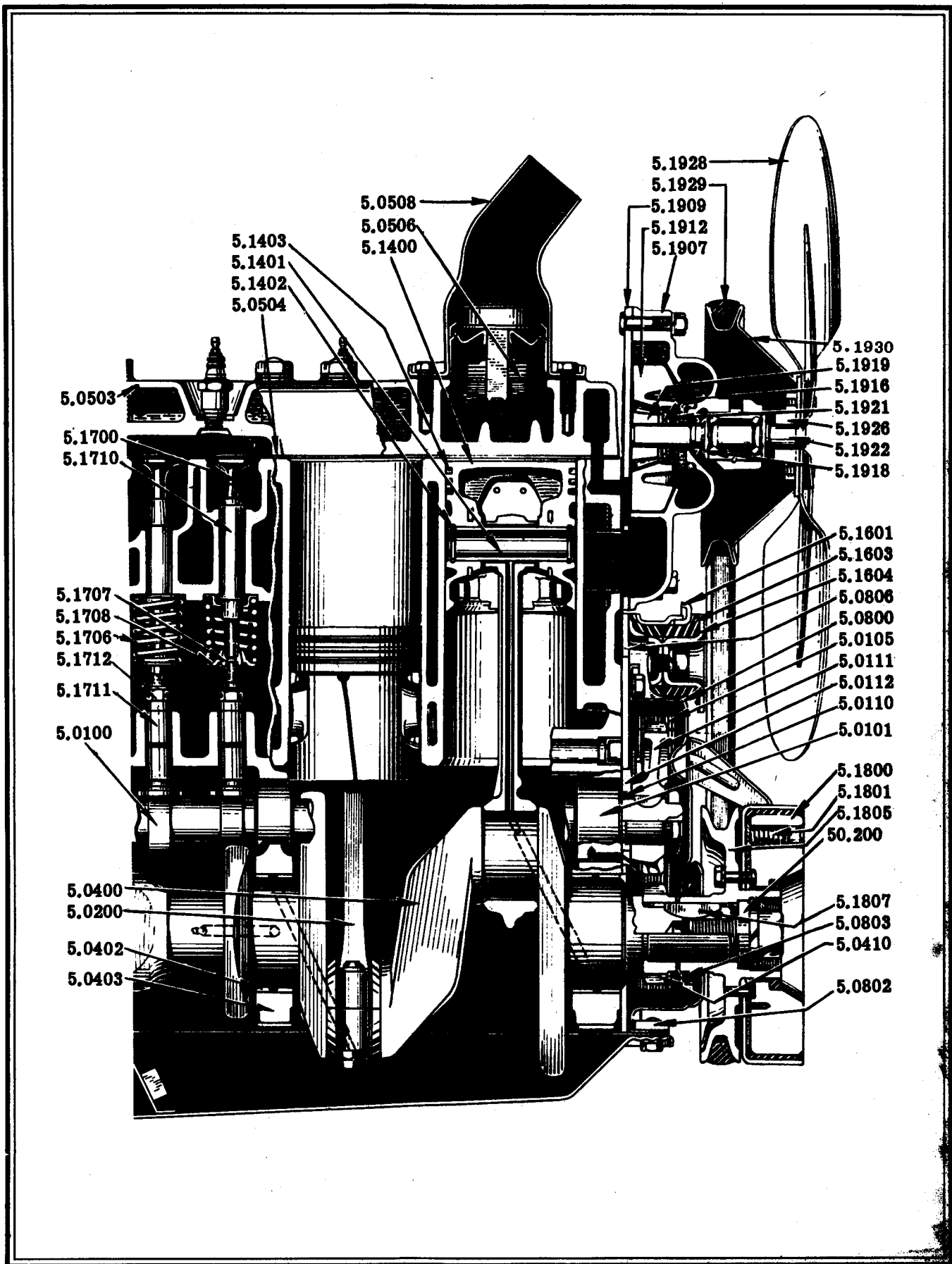
INDEX NO.	PART NO.	DESCRIPTION AND MODELS	PER CAR
TRANSMISSION ECONO-DRIVE —Continued			
4.2216		RELAY ASSEMBLY, Transmission E.D. accelerator solenoid switch	
	347493	(6 volt) 20th Sr.	1
	6756	(50.300) Screw No. 10 x 5/8	2
4.2223		SWITCH, Transmission E.D. lockout	
	354820	20th Sr.	1
4.2224		LOCK, Transmission E.D. lockout switch	
	347642	20th Sr.	1
4.2228		SOLENOID ASSEMBLY, Transmission E.D. unit (See 3.441 for governor assembly)	
	347490	20th Sr.	1
	5385	Lockwasher 5/16	2
	338651	Screw 5/16 - 18 x 1 - 1/8"	2
4.2229		BASE, Transmission E.D. unit solenoid	
	347488	20th Sr.	1
4.2230		GASKET, Transmission E.D. unit solenoid base	
	347492	20th Sr.	x
4.2231		SEAL, Transmission E.D. unit solenoid base plunger	
	333833	20th Sr.	1
4.2233		GASKET, Transmission E.D. unit solenoid	
	333788	20th Sr.	1
WIRING CABLES AND HARNESS (L. T.)			
4.23001		CONNECTOR, Cable	
	373368	(2 Wire) 2000-1-3-6-10-11	3
	240668	(50.910) (2 Wire) 2001A-3A-4-5-7-8-20-1-3-55	1
	240669	(50.910) (3 Wire) 2001A-3A-4-5-7-8-20-1-3-55	2
4.23005		GROUND STRAP, Engine (to frame)	
	333608	2001A-3A-4-5-7-8-20-1-3-55	1
	3874	(50.200) Washer 5/16 plain	1
	3877	(50.200) Washer 3/8 plain	1
4.2320		HARNESS ASSEMBLY, Electrical wiring (For Econo Drive equipped cars see 4.2208--for Electromatic Clutch equipped cars see 4.05765)	
	378616	LHD Front 2000-1-10-11	1
	378607	LHD Front 2001A-21	1
	378618	LHD Front 2003-6	1
	378608	LHD Front 2003A-4-5-7-8-23-55	1
	378606	Front 2020	1
	378563	Rear 2001A-3A	1
	378565	Rear 2004-7	1
	378564	Rear (Supersedes 351290) 2005-8	1
	378605	Rear 2020-1-3	1
	378565	Rear 2030	1
	379304	RHD Front 2000-1-10-11	1
	378610	RHD Front 2001A-21	1
	378611	RHD Front 2003A-4-5-7-8-23-55	1
	378609	RHD Front 2020	1
4.2322		CLIP, Wiring harness assembly (to fender splasher)	
	209611	(Front left) 2001A-3A-4-5-7-8-20-1-3-55	x
4.2324		CLIP, Wiring harness assy. (to frame)	
	209611	Front LHD 2001A-3A-4-5-7-8-20-1-3-55	1
	320294	Side 2001A-3A-4-5-7-8-20-1-3-55	3
4.23245		COVER ASSEMBLY, Wiring harness assembly	
	371599	20th Sr.	1
	5984	(50.300) Screw #6 x 3/8 tapping	3
4.2325		GROMMET, Wiring harness (to dash)	
	362105	2001A-3A-4-5-7-8-20-1-3-55	1
4.2326		INSULATOR, Wiring harness battery	
	316177	2001A-3A-4-5-7-8-20-1-3-55	1

INDEX NO.	PART NO.	DESCRIPTION AND MODELS	PER CAR
WIRING CABLES AND HARNESS (L. T.)—Continued			
4.23275		STRAP, Wiring harness	
	203905	Front (to brake tube) 2001A-3A-4-5-7-8-20-1-3-55	1
	203905	Front (Horn cables) (To speedometer cable) 2003A-4-5-7-8-23-55	3
4.23276		CLIP, Wiring harness generator cable to front fender splasher	
	207079	2001A-3A-4-5-7-8-20-1-3-55	2
4.23315		STRAP, Wiring harness starter motor cables to coil cable	
	203905	2003A-4-5-7-8-23-55	1
4.2332		STRAP, Wiring harness (stoplight cables) to breather pipe	
	337555	RHD 2003A-4-5-7-8-23-55	1
4.2333		GROMMET, Instrument board cables dash	
	371419	2000-1-3-6-10-11	1
	362113	2001A-3A-4-5-7-8-20-1-3-55	1
4.2334		RETAINER, Instrument board cables dash grommet	
	373246	2000-1-3-6-10-11	1
	324671	2001A-3A-4-5-7-8-20-21-23-55	1
	5984	Screw #6 x 3/8 2000-1-3-6-10-11	2
	366619	Screw 1/4-20 x 1/2 tapping 2001A-3A-4-5-7-8-20-21-23-55	2
4.2340		CABLE ASSEMBLY, Ignition coil to distributor (low tension)	
	378364	(High and low tension) 2000-10	1
	373736	(High and low tension) 2001-3-6-11	1
	367925	2001A-21	1
	367988	LHD 2003A-4-5-7-8-23-55	1
	367987	2020	1
	303785	RHD 2003A-4-5-7-8-23-55	1

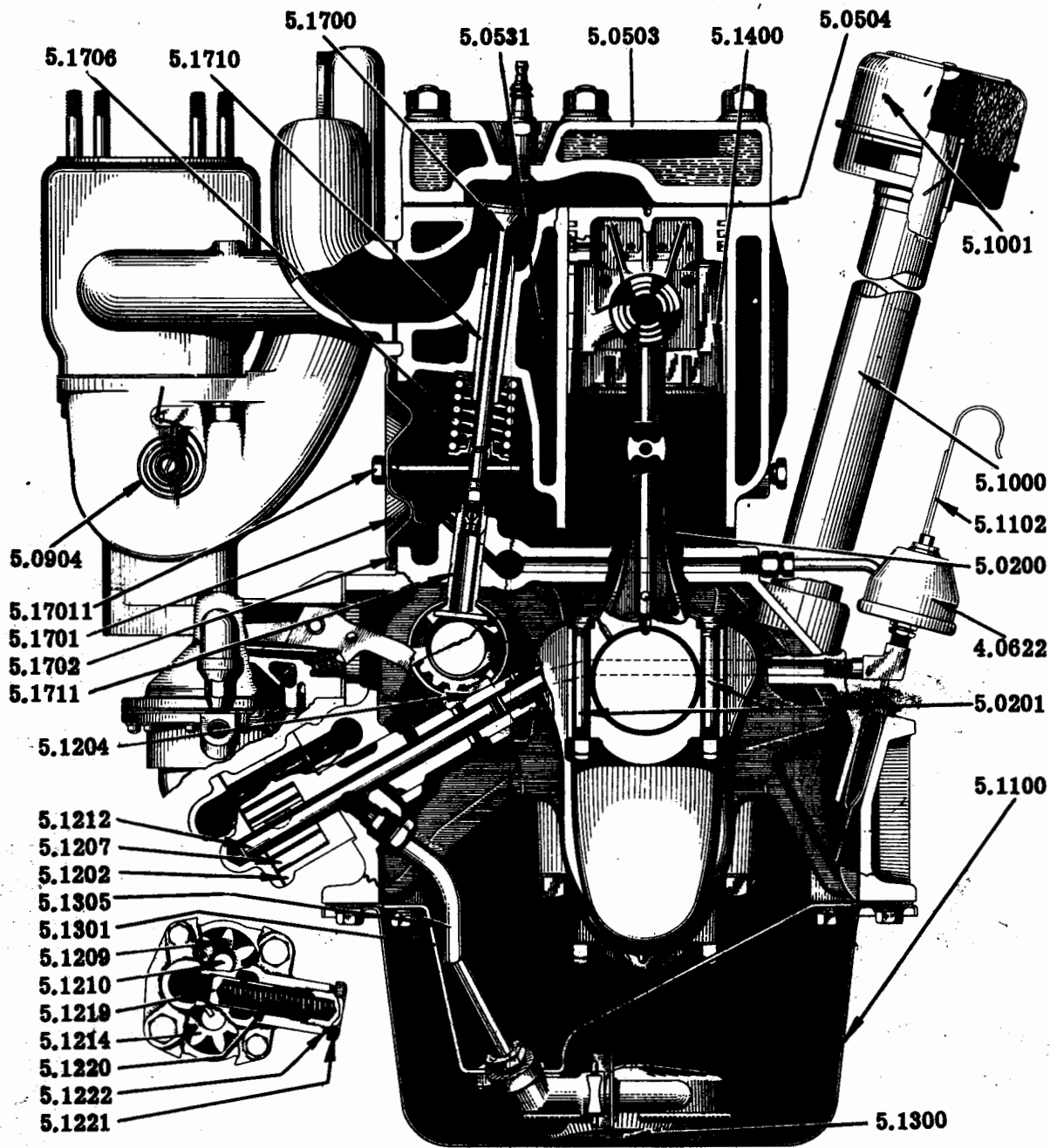
INDEX NO.	PART NO.	DESCRIPTION AND MODELS	PER CAR	INDEX NO.	PART NO.	DESCRIPTION AND MODELS	PER CAR
CAMSHAFT				CONNECTING ROD—Continued			
5.0100	CAMSHAFT			5.0204	BUSHING, Connecting rod piston pin		
	333005	2000-10-20	1		303398	20th Sr.	x
	330911	2001-1A-11-21	1	CRANKCASE			
	351751	2003-3A-4-5-6-7-8-23-55	1	5.0304	SPLASHER ASSEMBLY, Frame to crankcase		
5.0101	BEARING, Camshaft				348883	Right LHD 2001A-3A-4-5-7-8-21-3-55	1
	354343	#1 2000-1-1A-10-11-20-1	1		377512	Right LHD 2003-6	1
	341331	#1 2003-3A-4-5-6-7-8-23-55	1		348823	Right LHD 2020	1
	354348	#2 2000-10-20	1		348922	Left LHD 2001A-3A-4-5-7-8-21-3-55	1
	354346	#2 2001-1A-11-21	1		377515	Left LHD 2003-6	1
	341332	#2 2003-3A-4-5-6-7-8-23-55	1		347629	Left LHD 2020	1
	354350	#3 2000-10-20	1		348885	Right RHD 2001A-3A-4-5-7-8-21-3-55	1
	354347	#3 2001-1A-11-21	1		348846	Right RHD 2020	1
	341333	#3 2003-3A-4-5-6-7-8-23-55	1		348924	Left RHD 2001A-3A-4-5-7-8-21-3-55	1
	354354	#4 2000-10-20	1		347627	Left RHD 2020	1
	354349	#4 2001-1A-11-21	1		303939	(50.080) Screw 5/16-18 x 9/16	x
	341334	#4 2003-3A-4-5-6-7-8-23-55	1	CRANKSHAFT			
	354354	#5 2001-1A-11-21	1	5.0400	CRANKSHAFT		
	341335	#5 2003-3A-4-5-6-7-8-23-55	1		315703	2000-10-20	1
	341336	#6 2003-3A-4-5-6-7-8-23-55	1		900018	(Supersedes 304852) 2001-1A-11-21	1
	341337	#7 2003-3A-4-5-6-7-8-23-55	1		362034	2003-3A-4-5-6-7-8-23-55	1
	302254	#8 2003-3A-4-5-6-7-8-23-55	1	5.0401	BEARING SET, Crankshaft		
5.0105	CHAIN, Camshaft driving				348315	(Std.) 2000-10-20	1
	333289	2000-1-1A-10-11-20-1	1		348318	(Std.) 2001-1A-11-21	1
	341575	2003-3A-4-5-6-7-8-23-55	1		348316	(.001 under) 2000-10-20	1
5.0110	SPACER, Camshaft				348319	(.001 under) 2001-1A-11-21	1
	348014	20th Sr.	1		348317	(.002 under) 2000-10-20	1
5.0111	SPROCKET, Camshaft				348320	(.002 under) 2001-1A-11-21	1
	304266	2000-1-1A-10-11-20-1	1	5.0402	BEARING ASSEMBLY, Crankshaft		
	341594	2003-3A-4-5-6-7-8-23-55	1		303393	(Std. #1) 2000-10-20	1
	4552	(50.845) Key #9 Whitney	1		303391	(Std. #2-3) 2000-10-20	2
5.01114	NUT, Camshaft sprocket				303394	(Std. #4) 2000-10-20	1
	300069	20th Sr.	1		303391	(Std. #1) 2001-1A-11-21	1
5.01115	LOCK, Camshaft sprocket nut				303392	(Std. #2-4) 2001-1A-11-21	2
	300070	20th Sr.	1		303393	(Std. #3) 2001-1A-11-21	1
5.0112	THRUST PLATE, Camshaft				303394	(Std. #5) 2001-1A-11-21	1
	330755	20th Sr.	1		348630	(Std. #1) 2003-3A-4-5-6-7-8-23-55	1
	362869	Lockwasher 2000-1-1A-10-11-20-1	1		348631	(Std. #2-3-4-6-7-8) 2003-3A-4-5-6-7-8-23-55	6
	5504	(50.220) Lockwasher 5/16 20th Sr.	x		348632	(Std. #5) 2003-3A-4-5-6-7-8-23-55	1
	7804	(50.003) Screw 5/16-18 x 3/4 20th Sr.	2		348633	(Std. #9) 2003-3A-4-5-6-7-8-23-55	1
CONNECTING ROD					320365	(.001 under #1) 2000-10-20	1
5.0200	ROD AND BUSHING ASSEMBLY, Connecting				320363	(.001 under #2-3) 2000-10-20	2
	333834	2000-1-1A-10-11-20-1	x		320366	(.001 under #4) 2000-10-20	1
	341350	2003-3A-4-5-6-7-8-23-55	8		320363	(.001 under #1) 2001-1A-11-21	1
5.0201	BOLT, Connecting rod				320364	(.001 under #2-4) 2001-1A-11-21	2
	330751	2000-1-1A-10-11-20-1	x		320365	(.001 under #3) 2001-1A-11-21	1
	341367	2003-3A-4-5-6-7-8-23-55	16		320366	(.001 under #5) 2001-1A-11-21	1
	4291	(50.240) Cotter pin 2003-3A-4-5-6-7-8-23-55	16		348634	(.001 under #1) 2003-3A-4-5-6-7-8-23-55	1
	338631	Nut 3/8-24 2000-1-1A-10-11-20-1	x		348635	(.001 under #2-3-4-6-7-8) 2003-3A-4-5-6-7-8-23-55	1
	7699	(50.150) Lock nut 2000-1-1A-10-11-20-1	x		348636	(.001 under #5) 2003-3A-4-5-6-7-8-23-55	1
	210120	Nut 7/16-28 2003-3A-4-5-6-7-8-23-55	16		348637	(.001 under #9) 2003-3A-4-5-6-7-8-23-55	1
5.0203	BEARING ASSEMBLY, Connecting rod				371626	(.002 under #1) 2000-10-20	1
	362500	(Std.) 2000-10-20-30	6		317624	(.002 under #2-3) 2000-10-20	2
	362501	(.001 under) 2000-10-20-30	6		317627	(.002 under #4) 2000-10-20	1
	362502	(.002 under) 2000-10-20-30	6		317624	(.002 under #1) 2001-1A-11-21	1
	362503	(.003 under) 2000-10-20-30	6		317625	(.002 under #2-4) 2001-1A-11-21	2
	335831	(.015 under) 2000-10-20-30	6		317626	(.002 under #3) 2001-1A-11-21	1
	362500	(Std.) 2001-1A-11-21	8		317627	(.002 under #5) 2001-1A-11-21	1
	362501	(.001 under) 2001-1A-11-21	8		367812	(.015 under #1) 2000-10-20	1
	362502	(.002 under) 2001-1A-11-21	8		367810	(.015 under #2-3) 2000-10-20	2
	362503	(.003 under) 2001-1A-11-21	8		367813	(.015 under #4) 2000-10-20	1
	335831	(.015 under) 2001-1A-11-21	8		367810	(.015 under #1) 2001-1A-11-21	1
	362505	(Std.) 2003-3A-4-5-6-7-8-23-55	8		367811	(.015 under #2-4) 2001-1A-11-21	2
	362506	(.001 under) 2003-3A-4-5-6-7-8-23-55	8		367812	(.015 under #3) 2001-1A-11-21	1
	362507	(.002 under) 2003-3A-4-5-6-7-8-23-55	8		367813	(.015 under #5) 2001-1A-11-21	1
	362508	(.003 under) 2003-3A-4-5-6-7-8-23-55	8				
	348627	(.015 under) 2003-3A-4-5-6-7-8-23-55	8				



ENGINE SIDE SECTIONAL



ENGINE FRONT HALF, SIDE SECTIONAL



ENGINE FRONT SECTIONAL

INDEX NO.	PART NO.	DESCRIPTION AND MODELS	PER CAR	INDEX NO.	PART NO.	DESCRIPTION AND MODELS	PER CAR
CRANKSHAFT—Continued				CYLINDER—Continued			
5.0403	BEARING CAP, Crankshaft			5.0504	GASKET, Cylinder head (Cont'd)		
	324716 (#1) 2000-10-20		1		341364 (Std.) 2003-3A-4-5-6-7-8-23-55		1
	324719 (#1) 2001-1A-11-21		1		358180 (Extra thick) 2003-3A-4-5-6-7-8-23-55		1
	341469 (#1) 2003-3A-4-5-6-7-8-23-55		1	5.05045	GASKET PASTE, Cylinder head		
	324717 (#2 and #3) 2000-10-20		2		98674 (3 oz. tube) 20th Sr.		x
	324720 (#2 and #4) 2001-1A-11-21		2	5.0506	THERMOSTAT ASSEMBLY, Cylinder head		
	341470 (#2-3-4-6-7 & 8) 2003-3A-4-5-6-7-8-23-55		6		300066 2000-1-1A-10-11-20-1		1
	324721 (#3) 2001-1A-11-21		1		351540 2003-3A-4-5-6-7-8-23-55		1
	324730 (#4) 2000-10-20		1	5.0507	RETAINER, Cylinder head thermostat		
	324731 (#5) 2001-1A-10-20		1		351536 2003-3A-4-5-6-7-8-23-55		1
	341471 (#5) 2003-3A-4-5-6-7-8-23-55		1	5.0508	FLANGE, Cylinder head water outlet		
	362013 (#9) 2003-3A-4-5-6-7-8-23-55		1		348919 2000-1-1A-10-11-20-1		1
5.0404	SCREW, Crankshaft bearing cap				377821 2003-6		1
	377585 20th Sr.		x		351537 2003A-4-5-7-8-23-55		1
	302441 Lock (long) 2003-3A-4-5-6-7-8-23-55		1	5.0509	GASKET, Cylinder head water outlet flange		
5.0405	BRACE ASSEMBLY, Crankshaft bearing cap screw cock and oil strainer bracket				348526 2000-1-1A-10-11-20-1		1
	367060 2003-3A-4-5-6-7-8-23-55		1		348828 2003-3A-4-5-6-7-8-23-55		1
5.0407	OIL SEAL, Crankshaft bearing cap				7293 (50.003) Screw 3/8-16 x 7/8 2000-1-1A-10-11-20-1		2
	300191 (Rear-wood) 20th Sr.		2		7045 (50.003) Screw 3/8-16 x 2-1/4 2003-3A-4-5-23-55		1
5.0408	OIL SEAL, Crankshaft bearing (rear)				7576 (50.003) Screw 3/8-16 x 2-1/4 2006-7-8		1
	362010 2003-3A-4-5-6-7-8-23-55		2	5.0510	RETAINER, Cylinder head water outlet flange thermostat		
5.0409	SPROCKET, Crankshaft				348537 2000-1-1A-10-11-20-1		1
	304265 20th Sr.		1	5.0512	PLUG ASSEMBLY, Cylinder oil gallery metering		
					362863 2000-1-1A-10-11-20-1		1
CYLINDER				CYLINDER			
5.0500	CYLINDER AND PISTON ASSEMBLY			5.0513	TUBE ASSEMBLY, Cylinder oil passage connecting		
	379283 Std. (Alum. pistons) 2000-10-20-30		1		371855 2000-1-1A-10-11-20-1		1
	379285 Std. (Iron pistons) 2001-1A-11-21		1		364337 2003-3A-4-5-6-7-8-23-55		1
	379287 Std. (Alum. pistons) 2003-3A-4-5-6-7-8-23-55		1		6659 (50.725) Connector 1/4 2003-3A-4-5-6-7-8-23-55		1
	6343 (50.556) Dowel pin 3/8 x 13/16 20th Sr.		2		371856 Tee 2000-1-1A-10-11-20-1		1
	4559 (50.720) Plug 1/8 headless pipe (Oil passage) 20th Sr.		x		364403 Tee 2003-3A-4-5-6-7-8-23-55		1
	309987 (50.720) Plug 3/8 headless pipe (Oil passage rear end) 20th Sr.		x		6659 (50.725) Union 2000-1-1A-10-11-20-1		1
	4471 (50.720) Plug 3/8 headless pipe plug (Oil passage-end) 2000-1-1A-10-11-20-1		1		302492 Union Nut 1/4 2000-1-1A-10-11-20-1		2
	330779 (50.090) Stud (outer) 2000-3-3A-4-5-6-7-8-10-20-3-55		2	5.0515	CONNECTION, Cylinder oil pressure gauge tube		
	300171 (50.090) Stud (Center & intermediate) 2000-10-20		4		316226 (LHD) 2001A		1
	300171 (50.090) Stud (To manifold) 2001-1A-3-3A-4-5-6-7-8-11-21-3-55		x		354022 Elbow 1/4 (RHD)		1
5.0501	PLUG, Cylinder camshaft rear bearing			5.0517	PLATE, Cylinder ventilator baffle		
	300193 20th Sr.		1		320551 2000-1-1A-10-11-20-1		1
5.0503	CYLINDER HEAD ASSEMBLY				5504 (50.220) Lockwasher 5/16		1
	367634 2000-10-20		1		7375 (50.003) Screw 5/16-24 x 11/16		1
	367636 2001-1A-11-21		1		315999 (50.161) Screw Boss		1
	351254 2003-3A-4-5-6-7-8-23-55		1	5.0518	TUBE ASSEMBLY, Cylinder ventilator outlet		
	7007 Nut 7/16-20 20th Sr.		x		333934 LHD 2000-1-1A-10-11-20-1		1
	7006 (50.100) Nut 3/8-24 2003-3A-4-5-6-7-8-23-55		1		354024 RHD 2000-1-1A-10-11-20-1		1
	6721 (50.720) Plug 3/8-18 sq. hd. pipe 2000-1-1A-10-11-20-1		1	5.0519	CLAMP, Cylinder ventilator outlet tube		
	6646 (50.720) Plug 3/8-18 hex hd. pipe 2003-3A-4-5-6-7-8-23-55		1		315617 2000-1-1A-10-11-20-1		1
	341119 (50.090) Stud 7/16-20 x 3-3/32 20th Sr.		x		5504 (50.220) Lockwasher 5/16		1
	5666 (50.090) Stud (To air cleaner brkt.) 2003-3A-4-5-6-7-8-23-55		1		7804 (50.003) Screw 5/16-18 x 3/4		1
	351538 (50.090) Stud (Water outlet flange) 2003-3A-4-5-6-7-8-23-55		1	5.0520	GASKET, Cylinder ventilator outlet tube		
	3883 (50.200) Washer 7/16 20th Sr.		x		302311 2000-1-1A-10-11-20-1		1
5.0504	GASKET, Cylinder head			5.0521	SUPPORT, Cylinder ventilator outlet tube		
	324284 (Std.) 2000-10-20		1		315433 LHD 2000-1-1A-10-11-20-1		1
	341730 (Extra thick) 2000-10-20		1		316565 RHD 2000-1-1A-10-11-20-1		1
	335676 (Std.) 2001-1A-11-21		1	5.0526	PLUG, Cylinder water jacket drain		
	341731 (Extra thick) 2001-1A-11-21		1		5421 (1/8 Pipe) 20th Sr.		1
				5.0531	MANIFOLD ASSEMBLY, Cylinder water		
					320598 2000-10-20		1
					320619 2001-1A-11-21		1
					351060 2003-3A-4-5-6-7-8-23-55		1

INDEX NO.	PART NO.	DESCRIPTION AND MODELS	PER CAR	INDEX NO.	PART NO.	DESCRIPTION AND MODELS	PER CAR
FLYWHEEL				GASKETS—Continued			
5.0600		FLYWHEEL ASSEMBLY		5.0700		GASKET SET, Combination (complete engine) Cont'd	
358019	2000-10-20	1	338817	2001-1A-11-21	1
*358020	2000-10-20	1	373678	2003-3A-4-5-6-7-8-23-55	1
358020	2001-1A-11-21	1				
341477	2003-3A-4-5-6-7-8-23-55	1	5.0701		GASKET SET, Carbon & Valve	
356917	2030	1	354427	2000-10-20	-
300162	(50.003) Screw 7/16-20 x 13/16 2000-1-1A-10-11-20-1	6	354428	2001-1A-11-21	1
371074	(50.003) Screw 1/2-20 x 1-1/4 2003-3A-4-5-6-7-8-23-55	6	GEAR COVER			
5.0601		LOCK PLATE, Flywheel assembly screw		5.0800		COVER, Gear	
300163	2000-1-1A-10-11-20-1	3	304267	2000-1-1A-10-11-20-1	1
341665	2003-3A-4-5-6-7-8-23-55	3	341591	2003-3A-4-5-6-7-8-23-55	1
5.0603		HOUSING ASSEMBLY, Flywheel		5504	(50.220) Lockwasher 5/16	1
367492	LHD 2000-1-1A-10-11-20-1	1	7005	(50.100) Nut 5/16-24	1
341718	LHD 2003-3A-4-5-6-7-8-23-55	1	7379	(50.003) Screw 5/16-24 x 5/8	1
378823	RHD 2000-1-10-11	1	6988	(50.003) Screw 5/16-18 x 7/8	7
358026	RHD 2001A-20-1	1	5.0801		GASKET, Gear cover	
341719	RHD 2003A-4-5-7-8-23-55	1	300169	(Long) 2000-1-1A-10-11-20-1	1
5508	(50.220) Lockwasher 7/16	6	341612	(Long) 2003-3A-4-5-6-7-8-23-55	1
7246	(50.003) Screw 7/16-14 x 1-1/8	6	300170	(Short) 2000-1-1A-10-11-20-1	1
5.0604		COVER, Flywheel housing lower		341611	(Short) 2003-3A-4-5-6-7-8-23-55	1
333656	2000-1-1A-10-11-20-1	1	5.0802		REINFORCEMENT, Gear cover	
341689	2003-3A-4-5-6-7-8-23-55	1	300172	2000-1-1A-10-11-20-1	1
6343	(50.556) Dowel 20th Sr.	2	341663	2003-3A-4-5-6-7-8-23-55	1
5504	(50.220) Lockwasher 5/16 20th Sr.	x	5.0803		RETAINER, Gear cover oil	
6989	(50.003) Screw 5/16-18 x 9/16 2000-1-1A-10-11-20-1	8	300103	20th Sr.	1
6648	(50.003) Screw 5/16-18 x 7/8 2000-1-1A-10-11-20-1	1	5.0805		INDICATOR, Gear cover timing	
7376	(50.003) Screw 5/16-18 x 1" 2000-1-1A-10-11-20-1	2	341125	2000-1-1A-10-11-20-1	1
6831	(50.003) Screw 5/16-18 x 2-1/2 2000-1-1A-10-11-20-1	2	348549	2003-3A-4-5-6-7-8-23-55	1
6988	(50.003) Screw 5/16-18 x 7/8 2003-3A-4-5-6-7-8-23-55	8	5.0806		PLATE ASSEMBLY, Front end	
6831	(50.003) Screw (long) 5/16-18 x 2-1/2 2003-3A-4-5-6-7-8-23-55	2	324551	2000-1-1A-10-11-20-1	1
5.0605		FELT, Flywheel housing cover lower		341542	2003-3A-4-5-6-7-8-23-55	1
300176	20th Sr.	1	7804	(50.003) Screw 5/16-18 x 3/4	1
5.0606		RETAINER, Flywheel housing cover lower felt		5.0807		GASKET, Front end plate	
300175	20th Sr.	1	324552	2000-1-1A-10-11-20-1	1
5.0607		RETAINER & SUPPORT ASSEMBLY, Flywheel housing cover lower felt		341588	Right 2003-3A-4-5-6-7-8-23-55	1
333697	2000-1-3-3A-4-5-6-7-8-10-11-23-55	1	341587	Left 2003-3A-4-5-6-7-8-23-55	1
5504	(50.220) Lockwasher 5/16 2000-1-1A-10-11-20-1	3	MANIFOLD			
6673	(50.230) Lockwasher 1/2 2003-3A-4-5-6-7-8-55	1	5.0900		MANIFOLD ASSEMBLY, Exhaust	
7374	(50.003) Screw 5/16-18 x 1/2 2000-1-1A-10-11-20-1	3	382399	(Supersedes 356729) 2000-10-20	1
6989	(50.003) Screw 5/16-18 x 9-16 2003-3A-4-5-6-7-8-55	3	382405	(Supersedes 356894) 2001-1A-11-21	1
7250	(50.003) Screw 1/2 x 13 x 5/8 2003-3A-4-5-6-7-8-55	1	367100	2003-3A-4-5-6-7-8-23-55	1
5.0608		SPACER, Flywheel housing cover lower assembly (to ventilator outlet tube support)		205429	(50.100) Nut (Stud) 20th Sr.	x
333976	2000-1-1A-10-11-20-1	1	7243	(50.003) Screw 3/8-16 x 1-1/8 To Intake Manifold 20th Sr.	x
5.0609		PIVOT, Flywheel housing clutch shifter relay lever		315059	(50.003) Screw Long (To Intake Manifold) 2000-10-20	1
354616	LHD 2000-1-1A-10-11-20-1	1	300129	(50.200) Washer 3/8 20th Sr.	x
330290	RHD 2001A-20-1	1	302770	(50.200) Washer 2000-10-20	1
GASKETS				5.0901		CLAMP, Exhaust manifold (hold down)	
5.0700		GASKET SET, Combination (complete engine)		330780	2000-3-3A-4-5-6-7-8-10-20-3-55	2
338687	2000-10-20	1	5.0902		GASKET SET, Manifold	
				351093	2000-10-20	1
				303906	2001-1A-11-21	1
				371230	2003-3A-4-5-6-7-8-23-55	1
				5.0903		GASKET, Manifold	
				330775	(Center) 2000-10-20	1
				330774	(Front & Rear) 2000-10-20	2
				300037	(Center) 2001-1A-11-21	1
				362813	(Front & Rear) 2001-1A-11-21	2
				354706	(Exhaust) 2003-3A-4-5-6-7-8-23-55	3
				354707	(Exhaust & Intake) 2003-3A-4-5-6-7-8-23-55	6
				5.0904		THERMOSTAT, Exhaust manifold heat control	
				326837	2000-1A-10-20-1	1

*Used with Electromatic Clutch.

INDEX NO.	PART NO.	DESCRIPTION AND MODELS	PER CAR	INDEX NO.	PART NO.	DESCRIPTION AND MODELS	PER CAR
MANIFOLD—Continued				MANIFOLD—Continued			
5.0904	THERMOSTAT,	Exhaust manifold heat control (Cont'd)		5.0920	MANIFOLD,	Intake (Cont'd)	
351020	2003-3A-4-5-6-7-8-23-55	1	4564	(50.720) Plug 1/4 Pipe	2000-1-1A-3-3A-4-5-6-7-8-10-11-30-55	1
5.0906	COVER,	Exhaust manifold heat control thermostat		6721	(50.720) Plug 3/8-18 pipe	20th Sr.	1
210016	2003-3A-4-5-6-7-8-23-55	1	6985	(50.720) Plug 1/8 Pipe	2003-3A-4-5-6-7-8-23-55	1
7404	(50.100) Nut 1/4-28	2	6781	(50.200) Spacer	2003-3A-4-5-6-7-8-23-55	1
6326	(50.090) Stud 1/4	2	348503	(50.090) Stud (To Carb.)	2000-10-20	2
3868	(50.200) Washer 1/4	2	300427	(50.090) Stud (To Carb.)	2001-1A-11-21	4
5.0907	PIN,	Exhaust manifold heat control thermostat		364748	(50.090) Stud-Long (To Carb.)	2003-3A-4-5-6-7-8-23-55	2
315060	2000-1-1A-10-11-20-1	1	300427	(50.090) Stud-short (To Carb.)	2003-3A-4-5-6-7-8-23-55	2
5.0908	VALVE,	Exhaust manifold heat control		5.0928	ROD ASSEMBLY,	Intake manifold carburetor throttle control	
315061	2000-1-1A-10-11-20-1	1	377825	2000-10-20	1
213472	2003-3A-4-5-6-7-8-23-55	1	5.0930	CLIP,	Intake manifold carburetor throttle control rod end clevis	
5.0909	PIN,	Exhaust manifold heat control valve		338753	(Right Carb. End) 2020	1
358764	2000-1-1A-10-11-20-1	1	338752	(Left Lever End) 2020	1
5.09095	REPAIR KIT,	Exhaust manifold heat control valve		5.0931	LEVER,	Intake manifold carburetor throttle	
98780	2000-1-1A-10-11-20-21	1	341137	2020	1
98782	2003-3A-4-5-6-7-8-23-55	1	5.0933	SHAFT,	Intake manifold carburetor throttle lever	
5.0910	SHAFT ASSEMBLY,	Exhaust manifold heat control valve		315077	2020	1
315062	2000-1-1A-10-11-20-1	1	4280	(50.240) Cotter Pin 1/16 x 1/2	1
213520	2003-3A-4-5-6-7-8-23-55	1	3907	(50.200) Washer 1/4	1
4280	(50.240) Cotter Pin 1/16 x 1/2	2003-3A-4-5-6-7-8-23-55	1	5.09345	CLIP,	Intake manifold drain tube assembly	
3874	(50.200) Washer 5/16	2003-3A-4-5-6-7-8-23-55	1	351176	LHD (to Manifold) 2003-3A-4-5-6-7-8-23-55	..	1
5.0911	SHAFT AND WEIGHT ASSEMBLY,	Exhaust manifold heat control valve		5.0935	BALL,	Intake manifold drain tube check valve	
315281	2000-1-1A-10-11-20-1	1	213505	2003-3A-4-5-6-7-8-23-55	1
5.0913	BUSHING,	Exhaust manifold heat control valve shaft		5.0936	RETAINER,	Intake manifold drain tube check valve ball	
213480	2003-3A-4-5-6-7-8-23-55	2	213493	2003-3A-4-5-6-7-8-23-55	1
5.0914	SPACER,	Exhaust manifold heat control valve shaft		4282	(50.240) Cotter Pin 1/16 x 3/4	1
213518	(Long) 2003-3A-4-5-6-7-8-23-55	1	5.0939	TUBE ASSEMBLY,	Intake manifold (to vacuum operated top)	
213481	(Short) 2003-3A-4-5-6-7-8-23-55	1	358792	2020	1
5.0915	RING,	Exhaust manifold heat control valve shaft retaining		358794	2021	1
317788	2000-1-1A-10-11-20-1	1	358793	2023	1
5.0916	WEIGHT,	Exhaust manifold heat control valve shaft		8266	(50.725) Elbow 2021	1
315063	2000-1-1A-10-11-20-1	1	351096	(50.725) Plug 3/16 2020-23	1
348307	2003-3A-4-5-6-7-8-23-55	1	351825	(50.725) Tee 2020-3	1
5500	(50.220) Lockwasher #10	2003-3A-4-5-6-7-8-23-55	1	OIL COOLER AND FILTER			
7003	(50.100) Nut #10-32	2003-3A-4-5-6-7-8-23-55	1	5.1000	OIL FILLER ASSEMBLY		
7445	(50.004) Screw #10-32 x 7/8	2003-3A-4-5-6-7-8-23-55	1	373545	20th Sr.	1
5.0917	KEY,	Exhaust manifold heat control valve shaft weight		5.1001	CAP,	Oil filler	
213745	2003-3A-4-5-6-7-8-23-55	1	373550	20th Sr.	1
5.0918	PIN,	Exhaust manifold heat control valve shaft weight		5.1009	OIL FILTER		
300181	2000-1-1A-10-11-20-1	1	378576	2003-3A-4-5-6-7-8-23-55	1
5.0919	SPRING,	Exhaust manifold heat control valve stop		5.1010	BRACKET,	Oil filter	
213746	2003-3A-4-5-6-7-8-23-55	1	378577	2003-3A-4-5-6-7-8-23-55	1
213744	Pin	1	6902	(50.120) Nut 3/8-24	2
5.0920	MANIFOLD,	Intake		6016	(50.090) Stud	2
367644	2000-10-20	1	3877	(50.200) Washer 3/8	2
367643	2001-1A-11-21	1	5.1015	INLET TUBE ASSEMBLY,	Oil filter	
367642	2003-3A-4-5-6-7-8-23-55	1	378655	2003-3A-4-5-6-7-8-23-55	1
				378361	Elbow	1
				5.1016	TUBE ASSEMBLY,	Oil filter outlet	
				378654	2003-3A-4-5-6-7-8-23-55	1
				6659	(50.725) Connector	1
				6664	(50.725) Elbow	1

INDEX NO.	PART NO.	DESCRIPTION AND MODELS	PER CAR	INDEX NO.	PART NO.	DESCRIPTION AND MODELS	PER CAR
OIL PAN				OIL PUMP—Continued			
5.1100		PAN ASSEMBLY, Oil		5.1208		GASKET, Oil pump cover	
	367661	(Supersedes 379480) 2000-10-20	1		303930	2000-1-1A-10-11-20-1	1
	373986	(Supersedes 379483) 2001-1A-11-21	1		341555	2003-3A-4-5-6-7-8-23-55	1
	371237	2003-3A-4-5-6-7-8-23-55	1	5.1209		IMPELLER, Oil pump driven	
	5504	(50.220) Lockwasher 5/16	x		302804	2000-1-1A-10-11-20-1	1
	7005	(50.100) Nut 5/16-24	1		215947	(With Bushing) 2003-3A-4-5-6-7-8-23-55	1
	300233	(50.720) Plug	1	5.1210		SHAFT, Oil pump driven impeller	
	111192	(50.660) Plug Gasket	1		302802	2000-1-1A-10-11-20-1	1
	6560	(50.003) Screw 5/16-18 x 11/16 2000-1-10-11	6		341581	2003-3A-4-5-6-7-8-23-55	1
	7081	(50.003) Screw 5/16-18 x 5/8	4	5.1212		SHAFT, Oil pump driving	
	6989	(50.003) Screw 5/16-18 x 9/16	x		302806	2000-1-1A-10-11-20-1	1
	362091	(50.090) Stud	1		341580	2003-3A-4-5-6-7-8-23-55	1
	354310	(50.660) Stud Gasket	2	5.1213		BUSHING, Oil pump driving shaft	
	6359	(50.200) Washer 5/16	2		216137	(Long) 2003-3A-4-5-6-7-8-23-55	2
5.1101		GASKET SET, Oil pan		5.1214		IMPELLER, Oil pump driving	
	354755	2000-10-20	1		302805	2000-1-1A-10-11-20-1	1
	378859	2001-1A-11-21	1		341573	2003-3A-4-5-6-7-8-23-55	1
	354757	2003-3A-4-5-6-7-8-23-55	1		4551	(50.845) Key #5 Whitney 2003-3A-4-5-6-7-8-20-1-3-55	1
5.11015		GASKET, Oil pan assembly		5.1219		PISTON, Oil pump pressure relief valve	
	315065	Right 2000-10-20	1		303927	20th Sr.	1
	300295	Right 2001-1A-11-21	1	5.1220		SPRING, Oil pump pressure relief valve piston	
	341661	Right 2003-3A-4-5-6-7-8-23-55	1		354184	2000-1-1A-10-11-20-1	1
	315064	Left 2000-10-20	1		354434	2003-3A-4-5-6-7-8-23-55	1
	377314	Left 2001-1A-11-21	1	5.1221		RETAINER, Oil pump pressure relief valve piston spring	
	341662	Left 2003-3A-4-5-6-7-8-23-55	1		303928	20th Sr.	1
5.1102		INDICATOR ASSEMBLY, Oil level		5.1222		GASKET, Oil pump pressure relief valve piston spring retainer	
	358168	2000-10-20	1		21662	20th Sr.	1
	377298	2001-1A-11-21	1	OIL STRAINER			
	358169	2003-3A-4-5-6-7-8-23-55	1	5.1300		STRAINER ASSEMBLY, Oil	
OIL PUMP					334659	2000-1-1A-10-11-20-1	1
5.1200		PUMP ASSEMBLY, Oil			371116	2003-3A-4-5-6-7-8-23-55	1
	324402	2000-1-1A-10-11-20-1	1		4307	(50.240) Cotter Pin 1/8 x 1-1/8 2000-1-1A-10-11-20-1	1
	341650	2003-3A-4-5-6-7-8-23-55	1		4309	(50.240) Cotter Pin 1/8 x 1-3/8 2003-3A-4-5-6-7-8-23-55	1
	302803	(50.003) Screw 2000-1-1A-10-11-20-1	2	5.1301		BEARING & BRACKET ASSEMBLY, Oil strainer	
	6987	(50.003) Screw 3/8-16 x 3 2003-3A-4-5-6-7-8-23-55	4		367839	2000-1-1A-10-11-20-1	1
5.1201		GASKET, Oil pump assembly		5.1302		BRACKET, Oil strainer	
	300735	2000-1-1A-10-11-20-1	1		367838	2000-1-1A-10-11-20-1	1
	341579	2003-3A-4-5-6-7-8-23-55	1		341601	2003-3A-4-5-6-7-8-23-55	1
5.1202		BODY, Oil pump			5504	(50.220) Lockwasher 5/16 2003-3A-4-5-6-7-8-23-55	2
	302807	2000-1-1A-10-11-20-1	1		4156	(50.400) Rivet 3/16 x 5/8 2000-1-1A-10-11-20-1	2
	341523	2003-3A-4-5-6-7-8-23-55	1		6989	(50.003) Screw 5/16-18 x 9/16 2000-1-1A-10-11-20-1	2
5.1203		GEAR, Oil pump camshaft			7376	(50.003) Screw 5/16-18 x 1 2003-3A-4-5-6-7-8-23-55	2
	324401	2000-1-1A-10-11-20-1	1	5.1303		GASKET, Oil strainer bracket	
	341597	2003-3A-4-5-6-7-8-23-55	1		341668	2003-3A-4-5-6-7-8-23-55	1
	300181	(50.805) Pin 2000-1-1A-10-11-20-1	1	5.1305		TUBE, Oil strainer suction	
	341651	(50.805) Pin 2003-3A-4-5-6-7-8-23-55	1		367923	2000-10-20	1
5.1204		SPRING, Oil pump camshaft gear distributor driving			373844	2001-1A-11-21	1
	324305	20th Sr.	1		300305	Nut	2
5.1205		RETAINER, Oil pump camshaft gear distributor driving spring					
	300150	20th Sr.	1				
5.1207		COVER, Oil pump					
	303926	2000-1-1A-10-11-20-1	1				
	341551	2003-3A-4-5-6-7-8-23-55	1				
	5502	(50.220) Lockwasher 1/4 2000-1-1A-10-11-20-1	2				
	5506	(50.220) Lockwasher 3/8 2003-3A-4-5-6-7-8-23-55	2				
	7248	(50.003) Screw 1/4-20 x 7/8 2000-1-1A-10-11-20-1	2				
	7833	(50.003) Screw 3/8-16 x 1 2003-3A-4-5-6-7-8-23-55	2				

INDEX NO.	PART NO.	DESCRIPTION AND MODELS	PER CAR	INDEX NO.	PART NO.	DESCRIPTION AND MODELS	PER CAR
PISTON				PISTON—Continued			
<p><i>The first type pistons used on 120 Eight motors were aluminum, later cast iron pistons were put into production.</i></p> <p><i>Motors in which cast iron pistons have been assembled will have the letters "C" or "D" suffixed to the motor number.</i></p>				<p>5.1403 RING, Piston (#200-first groove) (Cont'd)</p>			
<p>5.1400 PISTON ASSEMBLY</p>				<p>330594 (Std.) 2003-3A-4-5-6-7-8-23-55 8 348610 (.005 over) 2003-3A-4-5-6-7-8-23-55 8 347935 (.010 over) 2003-3A-4-5-6-7-8-23-55 8 348611 (.020 over) 2003-3A-4-5-6-7-8-23-55 8 348612 (.030 over) 2003-3A-4-5-6-7-8-23-55 8 348613 (.040 over) 2003-3A-4-5-6-7-8-23-55 8</p>			
<p>348578 (Std.) (Alum.) 2000-10-20-30 6 348579 (.005 over) (Alum.) 2000-10-20-30 6 348580 (.010 over) (Alum.) 2000-10-20-30 6 348581 (.020 over) (Alum.) 2000-10-20-30 6 348582 (.030 over) (Alum.) 2000-10-20-30 6 348583 (.040 over) (Alum.) 2000-10-20-30 6 348588 (Std.) (Alum.) 2001-1A-11-21 8 348589 (.005 over) (Alum.) 2001-1A-11-21 8 348590 (.010 over) (Alum.) 2001-1A-11-21 8 348591 (.020 over) (Alum.) 2001-1A-11-21 8 348592 (.030 over) (Alum.) 2001-1A-11-21 8 348593 (.040 over) (Alum.) 2001-1A-11-21 8 379332 (Std.) (Iron) 2001-1A-11-21 8 379333 (.005 over) (Iron) 2001-1A-11-21 8 379334 (.010 over) (Iron) 2001-1A-11-21 8 348578 (Std.) (Alum.) 2003-3A-4-5-6-7-8-23-55 8 348579 (.005 over) (Alum.) 2003-3A-4-5-6-7-8-23-55 8 348580 (.010 over) (Alum.) 2003-3A-4-5-6-7-8-23-55 8 348581 (.020 over) (Alum.) 2003-3A-4-5-6-7-8-23-55 8 348582 (.030 over) (Alum.) 2003-3A-4-5-6-7-8-23-55 8 348583 (.040 over) (Alum.) 2003-3A-4-5-6-7-8-23-55 8</p>				<p>5.14034 RING, Piston (#70-second groove)</p> <p>338557 (Std.) 2000-10-20-30 6 362586 (.005 over) 2000-10-20-30 6 358662 (.010 over) 2000-10-20-30 6 362587 (.020 over) 2000-10-20-30 6 362588 (.030 over) 2000-10-20-30 6 362589 (.040 over) 2000-10-20-30 6 358556 (Std.) (Alum. piston) 2001-1A-11-21 8 362578 (.005 over) (Alum. piston) 2001-1A-11-21 ... 8 358663 (.010 over) (Alum. piston) 2001-1A-11-21 ... 8 362583 (.020 over) (Alum. piston) 2001-1A-11-21 ... 8 362584 (.030 over) (Alum. piston) 2001-1A-11-21 ... 8 362585 (.040 over) (Alum. piston) 2001-1A-11-21 ... 8 300980 (Std.) (Iron piston) 2001-1A-11-21 8 377427 (.010 over) (Iron piston) 2001-1A-11-21 8 358557 (Std.) 2003-3A-4-5-6-7-8-23-55 8 362586 (.005 over) 2003-3A-4-5-6-7-8-23-55 8 358662 (.010 over) 2003-3A-4-5-6-7-8-23-55 8 362587 (.020 over) 2003-3A-4-5-6-7-8-23-55 8 362588 (.030 over) 2003-3A-4-5-6-7-8-23-55 8 362589 (.040 over) 2003-3A-4-5-6-7-8-23-55 8</p>			
<p>5.1401 PISTON PIN</p>				<p>5.14036 RING, Piston (#X90-bottom groove)</p>			
<p>324283 (Std.) 2000-3-3A-4-5-6-7-8-10-20-3-30-55 .. x 302037 (Std.) 2001-1A-11-21 8 324673 (.003 over) 2000-10-20-30 6 303381 (.003 over) 2001-1A-11-21 8 324673 (.003 over) 2003-3A-4-5-6-7-8-23 8 324674 (.006 over) 2000-10-20-30 6 303382 (.006 over) 2001-1A-11-21 8 324674 (.006 over) 2003-3A-4-5-6-7-8-23-55 8</p>				<p>378985 (Std. to .010 over) (Iron piston) 2001-1-1A-11-21 8</p>			
<p>5.1402 LOCK, Piston pin</p>				<p>5.14038 RING, Piston (Triple action-bottom groove)</p>			
<p>190021 20th Sr. x</p>				<p>367158 (Std. to .010 over) 2000-10-20-30 6 367159 (.020 to .030 over) 2000-10-20-30 6 367160 (.040 over) 2000-10-20-30 6 367146 (Std. to .010 over) (Alum. piston) 2001-1A-11-21 8 367147 (.020 to .030 over) (Alum. piston) 2001-1A-11-21 8 367148 (.040 over) (Alum. piston) 2001-1A-11-21 ... 8 367158 (Std. to .010 over) 2003-3A-4-5-6-7-8-23-55 8 367159 (.020 to .030 over) 2003-3A-4-5-6-7-8-23-55 8 367160 (.040 over) 2003-3A-4-5-6-7-8-23-55 8</p>			
<p>5.14025 RING SET, Piston</p>				<p>5.1404 EXPANDER SET, Piston skirt</p>			
<p>354716 (Std.) (Alum. piston) 2000-10-20-30 1 345717 (.020 over) (Alum. piston) 2000-10-20-30 .. 1 382469 (Std.) (Iron pistons) 2001-1A-11-21 1 354718 (Std.) (Alum. piston) 2001-1A-11-21 1 354719 (.020 over) (Alum. piston) 2001-1A-11-21 .. 1 354720 (Std.) (Alum. piston) 2003-3A-4-5-6-7-8-23-55 1 354721 (.020 over) (Alum. piston) 2003-3A-4-5-6-7-8-23-55 1</p>				<p>333583 2000-10-20-30 1 348952 (Alum. piston jobs) 2001-1A-11-21 1 333583 2003-3A-4-5-6-7-8-23-55 1-1/3</p>			
<p>5.1403 RING, Piston (#200-first groove)</p>				SNUBBER—ENGINE			
<p>330594 (Std.) 2000-10-20-30 6 348610 (.005 over) 2000-10-20-30 6 348035 (.010 over) 2000-10-20-30 6 348611 (.020 over) 2000-10-20-30 6 348612 (.030 over) 2000-10-20-30 6 348613 (.040 over) 2000-10-20-30 6 330595 (Std.) (Alum. piston) 2001-1A-11-21 8 348614 (.005 over) (Alum. piston) 2001-1A-11-21 .. 8 348047 (.010 over) (Alum. piston) 2001-1A-11-21 .. 8 348615 (.020 over) (Alum. piston) 2001-1A-11-21 .. 8 348616 (.030 over) (Alum. piston) 2001-1A-11-21 .. 8 348617 (.040 over) (Alum. piston) 2001-1A-11-21 .. 8 330595 (Std.) (Iron piston) 2001-1A-11-21 8 348047 (.010 over) (Iron piston) 2001-1A-11-21 8</p>				<p>5.15001 SNUBBER ASSEMBLY</p> <p>371042 2000-1-3-6-10-11 1 348955 2001A-3A-4-5-7-8-20-1-3-55 1 5508 (50.220) Lockwasher 7/16 20th Sr. x 5504 (50.220) Lockwasher 5/16 2001A-3-4-5-7-8-20-1-3-55 4 5506 (50.220) Lockwasher 3/8 2000-1-3-6-10-11 .. 3 7006 (50.100) Nut 3/8-24 2000-1-3-6-10-11 3 #7261 (50.100) Nut 7/16-14 20th Sr. 1 7007 (50.100) Nut 7/16-20 20th Sr. x 7005 (50.100) Nut 5/16-24 2001A-3A-4-5-7-8-20-1-3-55 4 7311 (50.003) Screw 3/8-24 x 7/8 2000-1-3-6-10-11 3 8761 (50.003) Screw 5/16-24 x 1 2001A-3A-4-5-7-8-20-1-3-55 4 7884 (50.003) Screw 7/16-20 x 1-1/8 2001A-3A-4-5-7-8-20-1-3-55 2 6748 (50.200) Washer 3/8 plain 2000-1-3-6-10-11 3 3877 (50.200) Washer 3/8 2000-1-3-6-10-11 3</p>			

* Used with econo drive

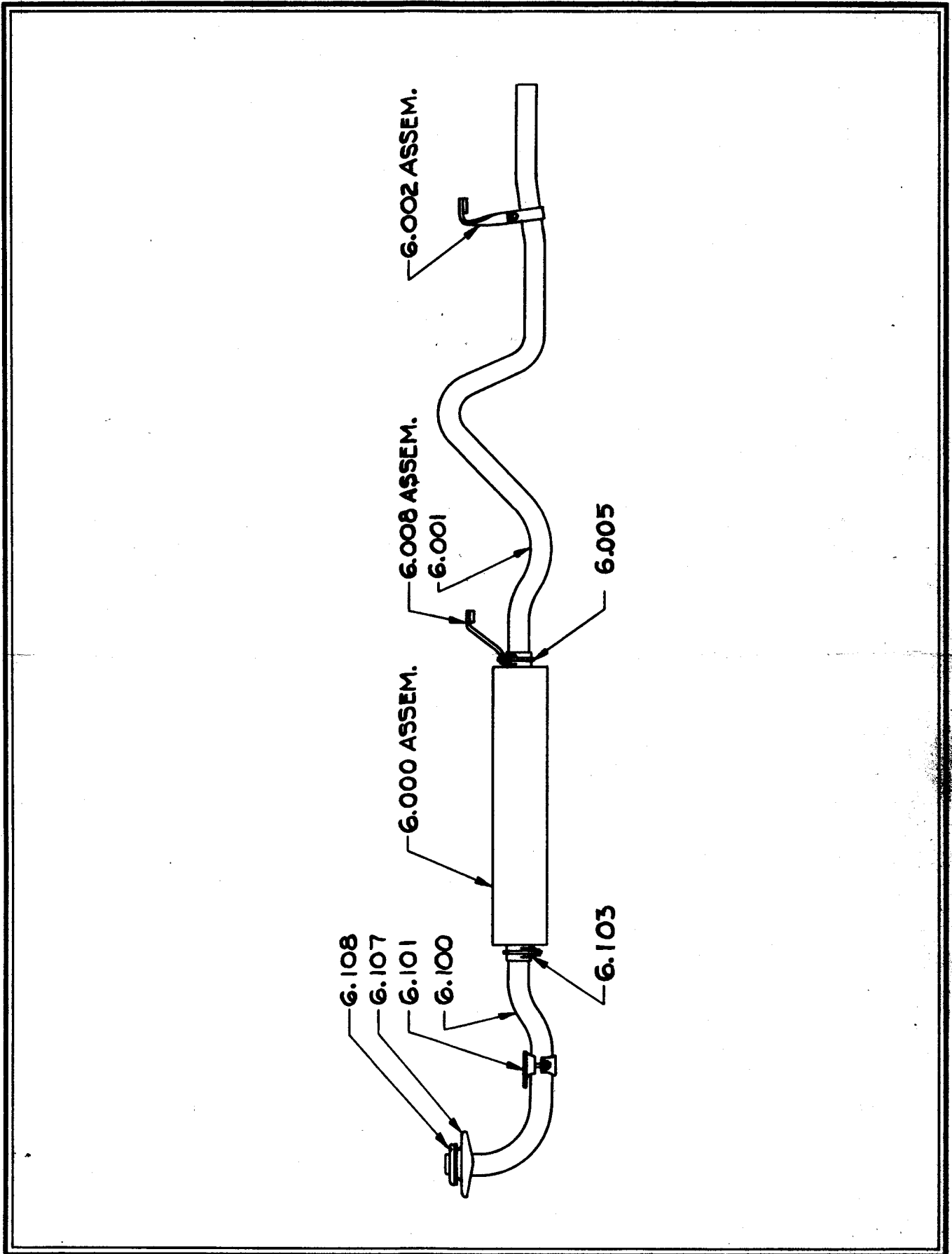
INDEX NO.	PART NO.	DESCRIPTION AND MODELS	PER CAR
SNUBBER—ENGINE—Continued			
5.15001		SNUBBER ASSEMBLY (CONT'D)	
	#3883 (50.200)	Washer (snubber side) 20th Sr.	1
	136982 (50.200)	Washer (Nut side) 7/16 plain 20th Sr.	1
	136982 (50.200)	Washer 7/16 20th Sr.	x
	348932 (50.200)	Washer 7/16 20th Sr.	3
	6228 (50.200)	Washer 5/16 2001A-3A-4-5-7-8-20-1-3-55	4
	3883 (50.200)	Washer 7/16 2001A-3A-4-5-7-8-20-1-3-55	2
5.1501		BRACKET, Snubber frame	
	371041	2000-1-3-6-10-11	1
	348939	2001A-3A-4-5-7-8-20-1-3-55	1
5.1502		BRACKET, Snubber (to transmission)	
	348940	20th Sr.	1
5.1503		CHANNEL, Snubber frame cross	
	#371059	2000-1-10-11	1
	335682	2001A-3A-4-5-7-8-20-1-3-55	1
	#373854	2003-6	1
	#5506 (50.220)	Lockwasher 3/8 2000-1-3-6-10-11	4
	#7006 (50.100)	Nut 3/8-24 2000-1-3-6-10-11	4
	#7818 (50.003)	Screw 3/8-24 x 7/8 2000-1-3-6-10-11	4
5.1504		INSULATOR, Snubber	
	348945	20th Sr.	4
5.1505		SPACER, Snubber insulator	
	348941	20th Sr.	2
5.1507		LINK ASSEMBLY, Snubber	
	#335698	Front (LH thd.) 20th Sr.	1
	#335699	Rear (RH thd.) 20th Sr.	1
5.1508		LINK TURNBUCKLE, Snubber	
	#335652	20th Sr.	1
	335652	2003A-4-5-7-8-23	1
	#7252 (50.100)	Nut 20th Sr.	1
	#335705 (50.150)	Nut (LH thd.) 20th Sr.	1
	7252 (50.100)	Nut 7/16-20 2003A-4-5-7-8-23	1
	335705 (50.150)	Nut (LH thd.) 2003A-4-5-7-8-23	1
5.1509		ROD, Snubber	
	371040	2000-1-3-6-10-11	1
	348938	2001A-3A-4-5-7-8-20-1-3-55	1
5.1552		STABILIZER ASSEMBLY	
	377541	2003-6	2
	358960	2003A-4-5-7-8-23-55	2
	362596 (RHD)	2003A-4-5-7-8-23-55	1
	5506 (50.220)	Lockwasher 3/8 2003A-4-5-7-8-23-55	4
	7006 (50.100)	(RHD) Nut 3/8-24 2003A-4-5-7-8-23-55	2
	7819 (50.003)	Screw 3/8-24 x 1 2003A-4-5-7-8-23-55	4
	7512 (50.003)	(RHD) Screw 3/8-24 x 1-1/8 2003A-4-5-7-8-23-55	2
	5049 (50.200)	Washer 3/8 2003A-4-5-7-8-23-55	4
5.1555		BRACKET, Stabilizer cylinder	
	358963	2003-3A-4-5-6-7-8-23-55	1
	5504 (50.220)	Lockwasher 5/16	4
	5506 (50.220)	Lockwasher 3/8	4
	7005 (50.100)	Nut 5/16-24	4
	7410 (50.003)	Screw 3/8-16 x 7/8	4
	7861 (50.003)	Screw 5/16-24 x 1	4
5.1557		PLATE, Stabilizer cylinder bracket bolt	
	207582	2003-3A-4-5-6-7-8-23-55	4

INDEX NO.	PART NO.	DESCRIPTION AND MODELS	PER CAR
SUPPORTS			
5.1601		CHANNEL ASSEMBLY, Support (front)	
	373923	2000-1-10-11	1
	320934	2001A-20-1	1
	348143	2003-3A-4-5-6-7-8-23-55	1
5.1602		BRACKET, Support (front) channel - lower	
	377239	Right 2000-1-10-11	1
	373922	Left 2000-1-10-11	1
	320933	2001A-20-1	2
	300903 (50.003)	Bolt 1/2-20 x 1-1/8 2000-1A-3-3A-4-5-6-7-8-10-11-20-1-3-55	2
	6135 (50.003)	Bolt 1/2-20 x 1-1/4 2001-11	2
	5510 (50.220)	Lockwasher 1/2	2
	7008 (50.100)	Nut 1/2-20	2
	5133 (50.200)	Washer 1/2	2
5.1603		INSULATOR, Support (front)	
	300277	2000-1-1A-10-11-20-1	2
	341498	2003-3A-4-5-7-8-23-55	2
5.1604		RETAINER, Support (front) insulator	
	300226	2000-1-1A-10-11-20-1	1
	341499	2003-3A-4-5-7-8-23-55	1
	5504 (50.220)	Lockwasher 5/16 2000-1-1A-10-11-20-1	2
	5506 (50.220)	Lockwasher 3/8 2003-3A-4-5-6-7-8-23-55	2
	7826 (50.003)	Screw 5/16-24 x 5/8 2000-1-1A-10-11-20-1	2
	5958 (50.003)	Screw 3/8-24 x 13/16 2003-3A-4-5-6-7-8-23-55	2
5.1607		CHANNEL & BRACKET ASSEMBLY, Support (rear)	
	367883 (LHD)	2000-1-3-6-10-11	1
	333440	2001A-3A-4-5-7-8-21-3-55	1
	333439 (LHD)	2020	1
	378847 (RHD)	2000-1-10-11	1
	333839 (RHD)	2020	1
	7345 (50.220)	Lockwasher 3/8	x
	7006 (50.100)	Nut 3/8-24	x
	7818 (50.003)	Screw 3/8-24 x 7/8	x
	326500 (50.092)	Screw 2001A-3A-4-5-7-8-20-1-3-55 ..	4
5.1608		BRACKET, Support (rear) channel	
	367882 (LHD)	(Right front and left rear) 2000-1-3-6-10-11	2
	367881 (LHD)	(Left front and right rear) 2000-1-3-6-10-11	2
	333446 (Right)	2001A-3A-4-5-7-8-21-3-55	1
	333444 (LHD)	(Right) 2020	1
	333445 (Left)	2001A-3A-4-5-7-8-21-3-55	1
	333443 (LHD)	(Left) 2020	1
	378783 (RHD)	(Right front) 2000-1-10-11	1
	378782 (RHD)	(Right rear) 2000-1-10-11	1
	367882 (RHD)	(Left rear) 2000-1-10-11	1
	367881 (RHD)	(Left front) 2000-1-10-11	1
	333837 (RHD)	(Right) 2020	1
	333443 (RHD)	(Left) 2020	1
	4185 (50.400)	Rivet 3/8 x 3/4 2001A-3A-4-5-7-8-20-1-3-55	4
5.1609		INSULATOR ASSEMBLY, Support (rear)	
	320929	2000-1-1A-3-6-10-11-20-1	2
	335135	Right 2003A-4-5-7-8-23-55	1
	335134	Left 2003A-4-5-7-8-23-55	1
	7819 (50.003)	Bolt 3/8-24 x 1	4
	5510 (50.220)	Lockwasher 1/2	4
	6166 (50.220)	Lockwasher 3/8	4
	7006 (50.100)	Nut 3/8-24	4
	6288 (50.003)	Screw 1/2-20 x 15/16	4
	126770 (50.200)	Washer 3/8	4
5.1610		BRACKET, Support rear insulator	
	320931	Lower 2000-1-1A-3-6-10-11-20-1	2

INDEX NO.	PART NO.	DESCRIPTION AND MODELS	PER CAR	INDEX NO.	PART NO.	DESCRIPTION AND MODELS	PER CAR
SUPPORTS—Continued				VALVES—Continued			
5.1610		BRACKET, Support rear insulator (Cont'd)		5.1715		PLUNGER ASSEMBLY, Valve tappet (Hydraulic)	
	335133	Lower 2003A-4-5-7-8-23-55	2		351717	2003-3A-4-5-6-7-8-23-55	16
	320932	Upper 2000-1-1A-3-6-10-11-20-1	2	5.1718		REGULATOR ASSEMBLY, Valve tappet oil	
	335132	Upper Right 2003A-4-5-7-8-23-55	1		351780	2003-3A-4-5-6-7-8-23-55	2
	335131	Upper Left 2003A-4-5-7-8-23-55	1	5.1720		BODY, Valve tappet oil regulator	
VALVES					351778	2003-3A-4-5-6-7-8-23-55	2
5.1700		VALVE, (Exhaust & Intake)		5.1722		PISTON, Valve tappet oil regulator	
	358105	(Exhaust) 2000-1-1A-10-11-20-1	x		351713	2003-3A-4-5-6-7-8-23-55	2
	358196	(Exhaust) 2003-3A-4-5-6-7-8-23-55	8	5.1724		RETAINER, Valve tappet oil regulator piston	
	362849	(Intake) 2000-10-20	6		199045	2003-3A-4-5-6-7-8-23-55	2
	358190	(Intake) 2001-1A-11-21	8	5.1726		SPRING, Valve tappet oil regulator piston	
	358224	(Intake) 2003-3A-4-5-6-7-8-23-55	8		351712	2003-3A-4-5-6-7-8-23-55	2
5.1701		COVER, Valve		VIBRATION DAMPER			
	327956	Front 2000-10-20	1	5.1800		DAMPER ASSEMBLY, Vibration	
	300021	Rear 2000-10-20	1		341130	2000-1-1A-10-11-20-1	1
	327958	2001-1A-11-21	2		348565	2003-3A-4-5-6-7-8-23-55	1
	341644	Front 2003-3A-4-5-6-7-8-23-55	1		199045	(50.150) Clinch nut (Drum screw) 20th Sr.	6
	341645	Rear 2003-3A-4-5-6-7-8-23-55	1		304775	Dowel pin 20th Sr.	2
	341871	Screw	4		5447	(50.230) Lockwasher 1/4 20th Sr.	6
	129439	(50.660) Screw Gasket	4		5518	(50.220) Lockwasher 3/4 2000-1-1A-10-11-20-1	1
5.17015		GASKET SET, Valve cover			6599	(50.003) Screw (Drum) 1/4-28 x 11-16 20th Sr.	6
	358382	2000-10-20	1		304128	(50.003) Screw 3/4-16 x 1-1/4 2000-1-1A-10-11-20-1	1
	358381	2001-1A-11-21	1		341404	(50.003) Screw 3/4-16 x 1-1/8 2003-3A-4-5-6-7-8-23-55	1
	358383	2003-3A-4-5-6-7-8-23-55	1		300063	(50.200) Washer 2000-1-1A-10-11-20-1	1
5.1702		GASKET, Valve cover		5.1801		SPRING, Vibration damper flywheel	
	315039	2000-10-20	2		302594	20th Sr.	6
	300196	2001-1A-11-21	2	5.1802		PLUG, Vibration damper flywheel spring	
	341369	2003-3A-4-5-6-7-8-23-55	2		304309	20th Sr.	6
5.1703		TUBE ASSEMBLY, Valve cover ventilator		5.1803		DISC, Vibration damper friction	
	341944	LHD 2003-3A-4-5-6-7-8-23-55	1		300057	20th Sr.	1
	351509	RHD 2003A-4-5-7-8-23-55	1	5.1804		PLATE, Vibration damper friction	
5.1704		TUBE BRACKET, Valve cover ventilator			300059	20th Sr.	1
	341945	LHD 2003-3A-4-5-6-7-8-23-55	1		187356	(50.300) Screw	12
	351510	RHD 2003A-4-5-7-8-23-55	1	5.1807		KEY, Vibration damper assembly	
5.1705		CLAMP, Valve cover ventilator tube			300064	2000-1-1A-10-11-20-1	1
	240743	2003-3A-4-5-6-7-8-23-55	1		341873	2003-3A-4-5-6-7-8-23-55	1
5.1706		SPRING, Valve		WATER PUMP AND FAN			
	324953	2000-1-1A-10-11-20-1	x	5.1900		WATER PUMP ASSEMBLY	
	351750	2003-3A-4-5-6-7-8-23-55	16		362052	2000-1-1A-10-11-20-1	1
	358660	Lock (Shakeproof) 2000-1-1A-10-11-20-1	x		362085	2003-3A-4-5-6-7-8-23-55	1
	6805	(50.230) Lockwasher 5/8 2003-3A-4-5-6-7-8-23-55	16		5506	(50.220) Lockwasher 3/8 20th Sr.	2
5.1707		KEY, Valve spring			7241	(50.003) Screw 2000-1-1A-10-11-20-1	4
	358188	20th Sr.	x		6454	(50.003) Screw 3/8-16 x 13/4 2003-3A-4-5-6-7-8-23-55	4
5.1708		SEAT, Valve spring			302770	(50.660) Washer 20th Sr.	2
	358184	20th Sr.	x	5.1901		GASKET, Water pump assembly	
5.1710		GUIDE, Valve stem (cylinder)			320605	20th Sr.	1
	364391	(Exhaust) 2000-1-1A-10-11-20-1	x	5.1902		REPAIR KIT, Water pump	
	348608	(Exhaust) 2003-3A-4-5-6-7-8-23-55	8		98732	20th Sr.	1
	348607	(Intake) 2000-1-1A-10-11-20-1	x	5.1907		BODY, Water pump	
	348609	(Intake) 2003-3A-4-5-6-7-8-23-55	8		351090	20th Sr.	1
5.1711		TAPPET, Valve			6721	(50.270) Plug 3/8-18	1
	341311	(Std.) 2000-1-1A-10-11-20-1	x	5.1909		COVER, Water pump	
	351718	(.001 over) 2000-1-1A-10-11-20-1	x		351091	20th Sr.	1
	351719	(.002 over) 2000-1-1A-10-11-20-1	x		5504	(50.220) Lockwasher 5/16	3
	351720	(.005 over) 2000-1-1A-10-11-20-1	x				
	373345	(Std.) 2003-3A-4-5-6-7-8-23-55	16				
	373346	(.001 over) 2003-3A-4-5-6-7-8-23-55	16				
	373347	(.002 over) 2003-3A-4-5-7-8-23-55	16				
	373348	(.003 over) 2003-3A-4-5-7-8-23-55	16				
5.1712		SCREW, Valve tappet adjusting					
	341310	(Self-locking) 2000-1-1A-10-11-20-1	x				

INDEX NO.	PART NO.	DESCRIPTION AND MODELS	PER CAR
WATER PUMP AND FAN—Continued			
5.1909		COVER, Water pump (Cont'd)	
	7005 (50.100)	Nut 5/16-24	3
	324135 (50.003)	Screw 5/16-24 x 1-1/2	3
5.1910		GASKET, Water pump cover	
	320585	20th Sr.	1
5.1912		IMPELLER, Water pump	
	335193	20th Sr.	1
5.1916		PACKING AND SPRING GUIDE ASSY., Water pump seal	
	356479	20th Sr.	1
5.1918		RETAINER, Water pump seal	
	319645	20th Sr.	1
5.1919		SPRING, Water pump seal	
	351548	20th Sr.	1
5.1921		THRUST WASHER, Water pump seal	
	351549	20th Sr.	1
5.1922		SHAFT AND BEARING ASSEMBLY, Water pump	
	362027	20th Sr.	1
5.1923		LOCK, Water pump shaft bearing	
	320625	20th Sr.	1
5.1926		HUB, Water pump shaft fan	
	317914	2000-1-1A-10-11-20-1	1
	341547	2003-3A-4-5-6-7-8-23-55	1
5.1927		SLINGER, Water pump shaft water	
	335171	20th Sr.	1
5.1928		FAN	
	348875	2000-1-1A-10-11-20-1	1
	334513	2003-3A-4-5-6-7-8-23-55	1
	5502 (50.220)	Lockwasher 1/4 2000-1-1A-10-11-20-1	4
	5504 (50.220)	Lockwasher 5/16 2003-3A-4-5-6-7-8-23-55	4
	7824 (50.003)	Screw 1/4-28 x 5/8 2000-1-1A-10-11-20-1	4
	7861 (50.003)	Screw 5/16-24 x 1 2003-3A-4-5-6-7-8-23-55	1
5.1929		BELT, Fan	
	320517	2000-1-1A-10-11-20-1	1
	351106	2003-3A-4-5-6-7-8-23-55	1
5.1930		PULLEY, Fan	
	362028	2000-1-1A-10-11-20-1	1
	362030	2003-3A-4-5-6-7-8-23-55	1

INDEX NO.	PART NO.	DESCRIPTION AND MODELS	PER CAR
MUFFLER			
6.000		MUFFLER ASSEMBLY, Exhaust	
	377555	2000-10-20	1
	377549	2001-1A-11-21	1
	373840	2003-6	1
	377538	2003A-4-5-7-8-23-55	1
6.001		TUBE, Muffler outlet	
	378062	2000-1-10-11	1
	356516	2001A	1
	373868	2003-6	1
	356517	2003A	1
	356581	2004-7	1
	356582	2005-8-55	1
	356570	2020-21	1
	356580	2023	1
	367105	2030	1
6.002		BRACKET ASSEMBLY, Muffler outlet tube	
	373725 (Rear)	2000-1-3-6-10-11	1
	326818	2001A-20-1	1
	348090	2003A-4-5-7-8-23-55	2
	324668	(Intermediate) 2001A	1
	348109	(Intermediate) 2003A	1
	5504 (50.220)	Lockwasher 5/16 2001A-3A-4-5-7-8-20-1-3-55	x
	7005 (50.100)	Nut 5/16-24 2001A-3A-4-5-7-8-20-1-3-55	x
	315970 (50.400)	Rivet (rear) 2000-1-3-6-10-11	2
	4173 (50.400)	Rivet 5/16 x 5/8 (rear) 2000-1-3-6-10-11	1
	7385 (50.003)	Screw 5/16-24 x 1-1/4 2001A-3A-4-5-7-8-20-1-3-55	x
	7809 (50.003)	Screw 5/16-24 x 7/8 (To frame) 2001A-3A-4-5-7-8-20-1-3-55	x
	302714 (50.200)	Washer 5/16 2001A-3A-4-5-7-8-20-1-3-55	x
	3909 (50.200)	Washer 5/16 (To frame) 2001A-3A-4-5-7-8-20-1-3-55	x
6.004		INSULATOR, Muffler outlet tube bracket	
	379073 (Rear)	2000-1-3-6-10-11	1
	315932	2001A-3A-4-5-7-8-20-1-3-55	1
	315970 (50.400)	Rivet 2001A-3A-4-5-7-8-20-1-3-55	x
6.005		CLAMP, Muffler outlet tube	
	333478	2000-1-1A-10-11-20-1	1
	333477	2003-3A-4-5-6-7-8-55	1
	333478 (Rear)	2000-1-10-11	1
	335270 (Rear)	2003-6	1
	7305 (50.100)	Nut 5/16-18	2
	333486 (50.091)	"U" Bolt 2000-1-1A-10-11-20-1	1
	335261 (50.091)	"U" Bolt 2003-6	1
	333485 (50.091)	"U" Bolt 2003A-4-5-7-8-23-55	1
6.0053		SUPPORT ASSEMBLY, Exhaust muffler outlet tube support rear	
	373725	2000-1-10-11	1
	373848	2003-6	1
	5506 (50.220)	Lockwasher 3/8	1
	7306 (50.100)	Nut 3/8-16	1
	6689 (50.003)	Screw 3/8-16 x 3/4 (To frame)	1
6.006		REPAIR EQUIPMENT, Muffler	
	351999	20th Sr.	1
6.008		BRACKET AND CLAMP ASSEMBLY, Muffler support	
	371928	2000-1-10-11	1
	333490	2001A-20-1	1
	373847	2003-6	1
	348234	2003A-5-8-55	1
	348124	2004-23	1
	333486 (50.091)	"U" Bolt (To tube) 2000-1-10-11	1
	333485 (50.091)	"U" Bolt (To tube) 2003-6	1
	7305 (50.100)	Nut 5/16-18	2



MUFFLER AND EXHAUST PIPE

INDEX NO.	PART NO.	DESCRIPTION AND MODELS	PER CAR	INDEX NO.	PART NO.	DESCRIPTION AND MODELS	PER CAR
MUFFLER—Continued				PIPE—Continued			
6.008		BRACKET AND CLAMP ASSEMBLY, Muffler support (Cont'd)		6.1025		SUPPORT ASSEMBLY, Pipe bracket (Cont'd)	
	5504 (50.220)	Lockwasher 5/16 2001A-3A-4-5-7-8-20-1-3-55	2		7244	Screw 3/8-16 x 7/8	1
	7005 (50.100)	Nut 5/16-24 2001A-3A-4-5-7-8-20-1-3-55	2		7320	Washer 3/8	1
	315970 (50.400)	Rivet 2000-1-3-6-55	1	6.103		CLAMP, Pipe (to muffler)	
	7809 (50.003)	Screw 5/16-24 x 7/8 2001A-3A-4-5-7-8-20-1-3-55	2		364553	2000-10-20	1
	3909 (50.200)	Washer 5/16 2001A-3A-4-5-7-8-20-1-3-55	1		364554	2001-1A-11-21	1
6.010		INSULATOR, Muffler support bracket			364555	2003-3A-4-5-6-7-8-23-55	1
	373719	2000-1-3-6-10-11	1		333485 (50.091)	"U" Bolt 2000-10-20	1
	300436	2001A-3A-4-5-7-8-20-1-3-55	1		333484 (50.091)	"U" Bolt 2001-1A-20-1	1
	5504 (50.220)	Lockwasher 5/16 2001A-3A-4-5-7-8-20-1-3-55	2		348110 (50.091)	"U" Bolt 2003-3A-4-5-6-7-8-23-55	1
	5506 (50.220)	Lockwasher 3/8 2001A-3A-4-5-7-8-20-1-3-55	1		7305 (50.100)	Nut 5/16-18	2
	371914 (50.100)	Nut 5/16-12 (To frame screw) 2000-1-3-6-10-11	2	6.1035		DOWEL, Pipe clamp (to muffler)	
	7005 (50.100)	Nut 5/16-24 plain 2001A-3A-4-5-7-8-20-1-3-55	2		364604	20th Sr.	1
	7006 (50.100)	Nut 3/8-24 2001A-3A-4-5-7-8-20-1-3-55	1	6.104		COVER, Exhaust pipe	
	7795 (50.300)	Screw 5/16 x 3/4 (To frame) 2000-1-3-6-10-11	2		354451	RHD 2003A-4-5-7-8-23-55	1
	7819 (50.003)	Screw 3/8-24 x 1 2001A-3A-4-5-7-8-20-1-3-55	1		326772	RHD 2020	1
	7809 (50.003)	Screw 5/16-24 x 7/8 plain 2001A-3A-4-5-7-8-20-1-3-55	2	6.105		CLAMP, Pipe cover	
	3909 (50.200)	Washer 5/16 2001A-3A-4-5-7-8-20-1-3-55	2		141532	RHD (3/4") 2003A-4-5-7-8-20-3-55	2
	5049 (50.200)	Washer 3/8 2001A-3A-4-5-7-8-20-1-3-55	1	6.106		EXTENSION, Pipe	
					367630	(Chrome) 2003-4-5-6-7-8-23-55	1
					382395	(Painted) 2003-6	1
				6.107		FLANGE, Pipe	
					330800	2000-10-20	1
					330807	2001-1A-20-1	1
					223185	2003-3A-4-5-6-7-8-23-55	1
					6708	(50.100) Nut 3/8-24 2003-3A-4-5-6-7-23-55	4
					373186	(50.003) Screw 3/8-16 x 1-3/8 2000-1-1A-10-11-20-1	2
					373187	(50.003) Screw 3/8-24 x 1-3/8 2003-3A-4-5-6-7-8-23-55	4
				6.108		GASKET, Pipe flange	
					315157	2000-10-20	1
					300414	2001-1A-11-21	1
					141535	2003-3A-4-5-6-7-8-23-55	1
PIPE							
6.100		PIPE ASSEMBLY, Exhaust (Manifold to muffler)					
	371346	LHD 2000-10	1				
	378920	LHD 2001-11	1				
	348928	2001A-21	1				
	373866	LHD 2003-6	1				
	348336	2003A-4-5-7-8-23-55	1				
	333469	LHD 2020	1				
	378785	RHD 2000-10	1				
	378539	RHD 2001-11	1				
	333792	RHD 2020	1				
6.1003		PIPE AND COVER ASSEMBLY, Exhaust					
	354443	RHD 2003A-4-5-7-8-23-55	1				
6.101		BRACKET, Pipe					
	379081	LHD 2000-10	1				
	379002	LHD 2001-11	1				
	324229	2001A-21	1				
	373852	LHD 2003-6	1				
	348499	2003A-4-5-7-8-23-55	1				
	324254	2020	1				
	5504 (50.220)	Lockwasher 5/16	1				
	7005 (50.100)	Nut 5/16-24	1				
	7386 (50.003)	Clamp Screw 5/16-24 x 2-1/4	1				
6.1015		SPACER, Pipe bracket clamp screw					
	316442	20th Sr.	1				
6.1017		SUPPORT, Exhaust pipe bracket					
	379077	2000-1-10-11	1				
6.102		SPACER, Pipe bracket to flywheel housing cover lower assembly					
	333976	2000-1-1A-3-6-10-11	1				
6.1025		SUPPORT ASSEMBLY, Pipe bracket					
	379079	LHD 2000-1-10-11	1				
	5506 (50.220)	Lockwasher 3/8	1				

*Used on Clipper Four Door Sedans built after Jan. 1, 1962 only. All other body types have chrome trim.

INDEX NO.	PART NO.	DESCRIPTION AND MODELS	PER CAR	INDEX NO.	PART NO.	DESCRIPTION AND MODELS	PER CAR
FRONT				FRONT—Continued			
7.000	FENDER ASSEMBLY, Front			7.0051	BRACKET, Front fender		
	378955	Right 2000-1	1	372448	Right (To gravel shield) 2000-1-3-6-10-11	1	1
	373769	Right 2001A-3A-4-5-7-8-21-3	1	370330	Right (To body sill) 2000-1-3-6-10-11	1	1
	373770	Right (With well) 2001A-3A-4-5-7-8-21-23	1	372449	Left (To gravel shield) 2000-1-3-6-10-11	1	1
	380054	Right 2003-6	1	370331	Left (To body sill) 2000-1-3-6-10-11	1	1
	378975	Right 2010-11	1	372334	(To body-upper) 2001-3-6-10-11	2	2
	377311	Right 2020	1	5502	(50.220) Lockwasher 1/4	2	2
	378672	Right 2030	1	5504	(50.220) Lockwasher 5/16	2	2
	379565	Right (With well) 2055	1	7004	(50.100) Nut 1/4-28	2	2
	377852	Right 2055	1	7372	(50.003) Screw 1/4-28 x 5/8	2	2
	378954	Left 2000-1	1	7376	(50.003) Screw 5/16-18 x 1	2	2
	373768	Left 2001A-3A-4-5-7-8-21-3	1	7319	(50.200) Washer 1/4	2	2
	373771	Left (With well) 2001A-3A-4-5-7-8-21-23	1	3874	(50.200) Washer 5/16	2	2
	380055	Left 2003-6	1	7.0071	GRAVEL SHIELD, Front fender		
	378974	Left 2010-1	1	371646	Right 2000-1-3-6-10-11	1	1
	377310	Left 2020	1	371647	Left 2000-1-3-6-10-11	1	1
	378671	Left 2030	1	7.0072	BRACE, Front fender gravel shield		
	377851	Left 2055	1	373576	Right 2000-1-3-6-10-11	1	1
	379564	Left (With well) 2055	1	373575	Left 2000-1-3-6-10-11	1	1
	7943	(50.050) Bolt 5/16-18 2000-1-3-6-10-11	8	5502	(50.220) Lockwasher 1/4	2	2
	7379	(50.003) Bolt 5/16-24 x 5/8 2001A-3A-4-5-7-8-20-1-3-55	2	7372	(50.003) Screw 1/4-28 x 5/8	2	2
	5502	(50.220) Lockwasher 1/4 20th Sr.	x	371590	(50.008) Screw #14 x 3/4	2	2
	5504	(50.220) Lockwasher 5/16 20th Sr.	x	7319	(50.200) Washer 1/4	2	2
	7305	(50.100) Nut 5/16-18 2000-1-3-6-10-11	x	7.0075	GRILLE, Front fender		
	7004	(50.100) Nut 1/4-28 20th Sr.	x	378921	Right (Chrome) 2000-1-3-6-10-11	1	1
	7005	(50.100) Nut 5/16-24 2001A-3A-4-5-7-8-20-1-3-55	8	▲379896	Right (Prime) 2000-1-3-6-10-11	1	1
	7125	(50.003) Screw 1/4-28 x 5/8 2000-1-3-6-10-11	4	373779	Right 2001A-3A-4-5-7-8-20-1-3-55	1	1
	7804	(50.003) Screw 5/16-18 x 3/4 2000-1-3-6-10-11	4	378922	Left (Chrome) 2000-1-3-6-10-11	1	1
	7376	(50.003) Screw 5/16-18 x 1 2000-1-3-6-10-11	2	▲379897	Left (Prime) 2000-1-3-6-10-11	1	1
	7249	(50.003) Screw 1/4-28 x 3/4 2001A-3A-4-5-7-8-20-1-3-55	x	373778	Left 2001A-3A-4-5-7-8-20-1-3-55	1	1
	6442	(50.200) Washer 2000-1-3-6-10-11	2	5502	(50.220) Lockwasher 1/4 20th Sr.	x	x
	6359	(50.200) Washer 5/16 20th Sr.	8	7125	(50.003) Screw 1/4-28 x 5/8 20th Sr.	x	x
	7319	(50.200) Washer 1/4 20th Sr.	x	7129	(50.003) Screw 1/4-20 x 1/2 2000-1-3-6-10-11	18	18
7.0002	CLIP, Front fender to body attaching			341557	Screw #12-11 x 1/2 2001A-3A-4-5-7-8-20-21-23-55	x	x
	370049	2000-1-3-6-10-11	8	341548	Speed nut #12-11 2001A-3A-4-5-7-8-20-21-23-55	x	x
7.001	WASHER, Front fender assembly to body reinforcing			7319	(50.200) Washer 1/4 20th Sr.	x	x
	335759	2001A-3A-4-5-7-8-20-1-3-55	x	7.0077	BLADE, Front fender grille		
7.0013	SEAL, Front fender to body screw			373781	Right 2001A-3A-4-5-7-8-20-1-3-55	4	4
	363139	2000-1-3-6-10-11	10	373783	Right lower 2001A-3A-4-5-7-8-20-1-3-55	1	1
7.0015	"U" BOLT, Front fender assembly to fender bracket			373780	Left 2001A-3A-4-5-7-8-20-1-3-55	4	4
	356922	2001A-3A-4-5-7-8-20-1-3-55	2	373782	Left lower 2001A-3A-4-5-7-8-20-1-3-55	1	1
	5504	(50.220) Lockwasher 5/16	4	7.0079	FRAME ASSEMBLY, Front fender grille blade		
	7005	(50.100) Nut 5/16-24	4	373789	Right (Side inner) 2001A-3A-4-5-7-8-20-1-3-55	1	1
	356923	Washer 1-1/4 x 2-13/16	2	377219	Right (Side outer) 2001A-3A-4-5-7-8-20-1-3-55	1	1
7.002	BRACE, Front fender (to frame)			373785	Right (Top) 2001A-3A-4-5-7-8-20-1-3-55	1	1
	320888	2001A-3A-4-5-7-8-20-1-3-55	2	373788	Left (Side inner) 2001A-3A-4-5-7-8-20-1-3-55	1	1
	378382	Right 2003-6	1	377218	Left (Side outer) 2001A-3A-4-5-7-8-20-1-3-55	1	1
	378381	Left 2003-6	1	373784	Left (Top) 2001A-3A-4-5-7-8-20-1-3-55	1	1
	232363	(50.080) Screw 5/16-18 x 7/8 2001A-3A-4-5-7-8-20-1-3-55	2	7.00795	MOULDING, Front fender grille extension		
	326546	(50.200) Washer 5/16 2001A-3A-4-5-7-8-20-1-3-55	2	378863	Right #1 (Chrome) 2003-6	1	1
7.003	INSULATOR, Front fender brace (to frame)			▲379913	Right #1 (Prime) 2003-6	1	1
	324851	2001A-3A-4-5-7-8-20-1-3-55	2	378865	Right #2 (Chrome) 2003-6	1	1
	326541	(50.945) Washer	2	▲379915	Right #2 (Prime) 2003-6	1	1
7.004	SPACER, Front fender brace insulator (to frame)			378867	Right #3 (Chrome) 2003-6	1	1
	326640	2001A-3A-4-5-7-8-20-1-3-55	2	▲379917	Right #3 (Prime) 2003-6	1	1
7.005	BRACKET ASSEMBLY, Front fender			378869	Right #4 (Chrome) 2003-6	1	1
	356379	Right 2001A-3A-4-5-7-8-20-1-3-55	1	▲379919	Right #4 (Prime) 2003-6	1	1
	356378	Left 2001A-3A-4-5-7-8-20-1-3-55	1	379493	Right #5 (Chrome) 2003-6	1	1
	3874	(50.200) Spacer	2	▲379921	Right #5 (Prime) 2003-6	1	1
				378861	Right #1 (Chrome) 2010-11	1	1
				▲379910	Right #1 (Prime) 2010-11	1	1
				378863	Right #2 (Chrome) 2010-11	1	1
				▲379913	Right #2 (Prime) 2010-11	1	1
				378865	Right #3 (Chrome) 2010-11	1	1
				▲379915	Right #3 (Prime) 2010-11	1	1

*Based on Clipper Four Door Sedans built after Jan. 1, 1942 only. All other body types have chrome trim.

INDEX NO.	PART NO.	DESCRIPTION AND MODELS	PER CAR
FRONT -Continued			
7.00795		MOULDING, Front fender grille extension (Cont'd)	
378867		Right #4 (Chrome) 2010-11	1
379917		Right #4 (Prime) 2010-11	1
378869		Right #5 (Chrome) 2010-11	1
379919		Right #5 (Prime) 2010-11	1
378862		Left #1 (Chrome) 2003-6	1
379912		Left #1 (Prime) 2003-6	1
378864		Left #2 (Chrome) 2003-6	1
379914		Left #2 (Prime) 2003-6	1
378866		Left #3 (Chrome) 2003-6	1
379916		Left #3 (Prime) 2003-6	1
378868		Left #4 (Chrome) 2003-6	1
379918		Left #4 (Prime) 2003-6	1
379492		Left #5 (Chrome) 2003-6	1
379920		Left #5 (Prime) 2003-6	1
378860		Left #1 (Chrome) 2010-11	1
379910		Left #1 (Prime) 2010-11	1
378862		Left #2 (Chrome) 2010-11	1
379912		Left #2 (Prime) 2010-11	1
378864		Left #3 (Chrome) 2010-11	1
379914		Left #3 (Prime) 2010-11	1
378866		Left #4 (Chrome) 2010-11	1
379916		Left #4 (Prime) 2010-11	1
378868		Left #5 (Chrome) 2010-11	1
379918		Left #5 (Prime) 2010-11	1
7003		(50.100) Nut #10-32 2003-6-10-11	32
379069		(50.003) Screw & Retainer 2003-6	10
378896		(50.003) Screw & Retainer 2010-11	32
7330		(50.003) Screw & Retainer 2003-6	22
7330		(50.200) Washer 2003-6-10-11	32
378897		(50.945) Washer (Rubber) 2003-6-10-11	32
7.0109		LINER, Front fender	
375496		(To body pillar) 2000-1-3-6-10-11	2
378228		(To body) 2001A-3A-4-5-7-8-20-1-3-55	2
373772		(To bonnet side) 2001A-3A-4-5-7-8-21-3-55 ..	2
377282		(To bonnet side) 2020	2
378229		Lower (To rad. lower shell) 2001A-3A-4-5-7-8-20-1-3-55	2
373773		(To rad. lower shell at grille) 2001A-3A-4-5-7-8-20-1-3-55	2
7.0105		REINFORCEMENT ASSEMBLY, Front fender parking lamp	
356957		2001A-3A-4-5-7-8-20-1-3-55	2
7.0106		SPACER, Front fender parking lamp reinforcement	
356956		2001A-3A-4-5-7-8-20-1-3-55	2
7.011		SPLASHER ASSEMBLY, Front fender	
358311		Right Rear 2001A-3A-4-5-7-8-21-3-55	1
358259		Right front 2001A-21	1
358267		Right front 2003A-4-5-7-8-23-55	1
378633		Right lower 2000-1-10-1	1
373419		Right lower 2003-6	1
378651		Right upper 2000-1-10-11	1
373732		Right upper 2003-6	1
358142		Right 2020	1
358258		Left Front 2001A-21	1
358266		Left front 2003A-4-5-7-8-23-55	1
358310		Left Rear 2001A-3A-4-5-7-8-55	1
378632		Left lower 2000-1-10-11	1
373418		Left lower 2003-6	1
378650		Left upper 2000-1-10-11	1
373453		Left upper 2003-6	1
362037		Left 2020	1
362049		Left Rear 2021-3	1
5502		(50.220) Lockwasher 1/4 20th Sr.	x
7004		(50.100) Nut 1/4-28 2000-1-3-6-10-11	8
303939		(50.080) Screw 5/16-18 2000-1-10-11	5
7372		(50.003) Screw 1/4-28 x 5/8 2000-1-3-6-10-11	8
371590		(50.080) Screw #14 x 3/4 2000-1-3-6-10-11 ..	4
7097		(50.003) Screw 1/4-28 x 1/2 2001A-3A-4-5-7-8-21-3-55	4

INDEX NO.	PART NO.	DESCRIPTION AND MODELS	PER CAR
FRONT—Continued			
7.011		SPLASHER ASSEMBLY, Front fender (Cont'd)	
325724		(50.003) Screw 5/16-10 x 7/8 2001A-3A-4-5-7-8-20-1-3-55	2
7543		(50.300) Screw #14 x 3/8 2001A-3A-4-5-7-8-20-1-3-55	4
303939		(50.080) Screw 5/16-18 2003-6	7
377358		Screw #10 x 5/8 2003-6	2
356316		Washer 5/16 2001A-3A-4-5-7-8-20-1-3-55	2
7319		(50.200) Washer 1/4 20th Sr.	x
7330		(50.200) Washer #10 2003-6	2
7.0115		SEAL, Front fender splasher battery	
377174		Lower 2000-1-10-11	1
373728		Lower 2003-6	1
377171		Upper - long 2000-1-10-11	1
373730		Upper - long 2003-6	1
373731		Upper - short 2000-1-3-6-10-11	2
7.0116		EXTENSION, Front fender splasher lower	
373680		2000-1-10-11	2
373681		2003-6	2
5500		(50.220) Lockwasher #10	6
5772		(50.000) Screw #10-32 x 3/8	6
7003		(50.100) Nut #10-32	6
7330		(50.200) Washer	6
7.0135		FILLER ASSEMBLY, Front fender splasher front	
358347		Right 2001A-21	1
358351		Right 2003A-4-5-7-8-23-55	1
358343		Right 2020	1
358346		Left 2001A-21	1
358350		Left 2003A-4-5-7-8-23-55	1
358342		Left 2020	1
358633		(50.150) Nut 2001A-20-1	2
7.015		SEAL, Front fender splasher	
358262		Front 2003A-4-5-7-8-23-55	2
362730		Front 2001A-20-1	2
358263		Front (Intermediate) 2001A-3A-4-5-7-8-20-1-3-55	2
362607		Front (Rear) 2001A-3A-4-5-7-8-21-3-55	2
377171		Front (Upper left) 2000-1-10-11	1
373726		Front (Upper left) 2003-6	1
377172		Front (Upper right) 2000-1-10-11	1
373548		(To radiator cradle) 2003-6	2
362590		Rear 2001A-3A-4-5-7-8-21-3-55	2
362593		Rear 2020	2
373727		Rear (Upper right) 2003-6	1
373729		Rear (Upper left) 2003-6	1
367491		(50.600) Clip 2001A-3A-4-5-7-8-20-1-3-55 ...	6
6327		(50.425) Rivet 9/64 x 3/8 (Long) 2001A-3A-4-5-7-8-20-1-3-55	2
5996		(50.425) Rivet (Short) 9/64 x 1/4 2001A-3A-4-5-7-8-20-1-3-55	x
101200		(50.200) Washer 2001A-3A-4-5-7-8-20-1-3-55 ..	x
7.016		SEAL, Front fender splasher shock absorber	
373159		2000-1-3-6-10-11	2
324701		2001A-3A-4-5-7-8-20-1-3-55	2
7.0165		RETAINER, Front fender splasher shock absorber	
373158		Short 2000-1-3-6-10-11	2
373291		Long 2000-1-3-6-10-11	2
5996		(50.425) Rivet 9/64 x 1/4	16
7.0166		SUPPORT, Front fender splasher shock absorber seal	
373529		Right 2000-1-3-6-10-11	1
373325		Left 2000-1-3-6-10-11	1
6327		(50.425) Rivet 9/64 x 3/8	4
303939		(50.080) Screw 5/16-18 x 9/16	2
7934		(50.300) Screw #8 x 1/2 tapping	4
101200		(50.200) Washer	4
7.019		VENT, Front fender splasher	
362865		2001A-3A-4-5-7-8-20-1-3-55	2

Used on Clipper Four Door Sedans built after Jan. 1942 only. All other body types have chrome trim. 74

INDEX NO.	PART NO.	DESCRIPTION AND MODELS	PER CAR
FRONT—Continued			
7.021	TRIM STRIP, Front fender		
	362743 2001A-3A		4
	362743 2004-5-7-8-21-3		8
	362742 2020		8
	362744 (Long) 2001A-3A		2
	362745 (Medium) 2001A-3A		1
	362746 (Short) 2001A-3A		1
	362744 Long (Side carrier) 2001A-3A		2
	362744 Long (Side carrier) 2004-5-7-8-21-3		4
	362745 Medium (Side carrier) 2001A-3A		1
	362745 Medium (Side carrier) 2004-5-7-8-21-3		2
	362746 Short (Side carrier) 2001A-3A		1
	362746 Short (Side carrier) 2004-5-7-8-21-3		2
7.0215	SCREW, Front fender trim strip attaching		
	356439 2001A-3A		8
	5935 (50.230) Lockwasher #10 internal		x
	7003 (50.100) Nut #10-32		x
7.0216	CLIP, Front fender trim strip		
	331916 2001A-3A		32
	331916 (Side carrier) 2001A-3A-4-5-7-8-21-3		36
7.0217	FASTENER, Front fender trim strip moulding		
	331916 2001A-3A-4-5-7-8-20-1-3		x

REAR

Rear fenders will be furnished as outer stamping only, also as outer stamping with wheel housing welded on for the 20th series Clipper type cars.

Price Quotations for fender repairs or fender price comparisons should be quoted on piece numbers covering the outer stamping only.

Rear Fender--Outer Stamping Only--This is the outside fender panel only--extending below the belt moulding, from the rear door opening to the trunk lid opening, DOES NOT include the inner wheel housing panel or rear gravel shield.

Rear Fender--Welded Assembly. This is the outer stamping described above, but with the wheel housing panel and gravel shield welded in position--the wheel housing panel being that panel which also serves as the trunk compartment side wall

7.100	FENDER ASSEMBLY, Rear		
	369012 Right (Outer stamping only) (Use on 1502-12-22-72-82-92) 2000-1-3-6-10-11		1
	366962 Right (Outer stamping only) (Use on 1505-15-25-75-85-95) 2000-1-3-6-10-11		1
	375250 Right (Outer stamping only) (Use on 1588-98) 2000-1		1
	363216 Right 2004-7-20-1-3		1
	357422 Right 2005-8		1
	366134 Right 2030-55		1
	370588 Right (Welded Assembly) (Use on 1502-12-22-72-82-92) 2000-1-3-6-10-11		1
	926004 Right (Welded Assembly) (Use on 1585-95) 2000-1-		1
	926038 Right (Welded Assembly) (Use on 1588-98) 2000-1		1
	926052 Right (Welded Assembly) (Use on 1505-15-25-75-) 2003-6-10-11		1
	369013 Left (Outer stamping only) (Use on 1502-12-22-72-82-92) 2000-1-3-6-10-11		1
	366963 Left (Outer stamping only) (Use on 1505-15-25-75-85-95) 2000-1-3-6-10-11		1
	375251 Left (Outer stamping only) (Use on 1588-98-) 2000-1		1
	925299 Left 2004-7-20-1-3		1
	925294 Left 2005-8		1
	926086 Left 2030-55		1

INDEX NO.	PART NO.	DESCRIPTION AND MODELS	PER CAR
REAR—Continued			
7.100	FENDER ASSEMBLY, Rear (Cont'd)		
	370589 Left (Welded Assembly) (Use on 1502-12-22-72-82-92) 2000-1-3-6-10-11		1
	926003 Left (Welded Assembly) (Use on 1585-95) 2000-1		1
	926039 Left (Welded Assembly) (Use on 1588-98) 2000-1		1
	926053 Left (Welded Assembly) (Use on 1505-15-25-75) 2003-6-10-11		1
	6839 Bolt 5/16-18 x 7/8 2005-8-55		4
	7305 (50.100) Nut 5/16-18 2005-8-30-55		4
	325724 Screw 5/16-10 x 7/8 Hex. hd. 2004-5-7-8-20-1-3-30-55		x
	349237 Screw Cap 2004-5-7-8-20-1-3-30-55		10
	363139 Screw Gasket 2004-5-7-8-20-1-3-30-55		x
	325770 Speednut 5/16-10 2004-5-7-8-20-1-3		x
	6442 Washer 5/16 2004-5-7-8-20-1-3-30-55		22
	3622 Washer 7/16 2005-8-30-55		4
7.101	LID ASSEMBLY, Rear fender gasoline filler		
	372458 2000-1-3-6-10-11		1
	366332 2004-5-7-8-20-1-3-30-55		1
	6056 (50.230) Lockwasher #10		3
	7003 (50.100) Nut #10-32		3
	5739 (50.003) Screw #10-32 x 1/2		3
7.102	BUMPER, Rear fender gasoline filler lid		
	357434 20th Sr.		2
7.1023	HINGE ASSEMBLY, Rear fender gasoline filler lid		
	370433 2000-1-3-6-10-11		1
	366335 2004-5-7-8-20-1-3-30-55		1
7.1025	PIN, Rear fender gasoline filler lid hinge		
	357432 20th Sr.		1
7.1026	SPRING, Rear fender gasoline filler lid		
	357433 Front 20th Sr.		1
	359625 Rear 20th Sr.		1
7.1027	GUARD ASSEMBLY, Rear fender (front) gravel		
	359312 Right (Not used on 1552) 2004-7		1
	363630 Right 2020-1-3		1
	359313 Left (Not used on 1552) 2004-7		1
	363631 Left 2020-1-3		1
	5500 (50.220) Lockwasher		14
	7003 (50.100) Nut		14
	363077 Washer (To fender stud)		14
7.103	GRAVEL SHIELD, Rear fender		
	372508 Right 2000-1-3-6-10-11		1
	317316 Right 2004-7-20-1-3		1
	318944 Right 2005-8-30-55		1
	372539 Left 2000-1-3-6-10-11		1
	357492 Left 2004-7-20-1-3		1
	357493 Left 2005-8-30-55		1
	5502 (50.220) Lockwasher 1/4 20th Sr.		2
	7304 (50.100) Nut 1/4-20 2000-1-3-6-10-11		2
	7004 (50.100) Nut 1/4-28 2004-5-7-8-20-1-3-30-55		2
	8066 (50.000) Screw 2000-1-3-6-10-11		2
	7842 (50.003) Screw 1/4-28 x 1-1/4 hex.hd. 2004-5-7-8-20-1-3-30-55		2
	303939 (50.080) Screw 5/16-18 x 9/16 2004-5-7-8-20-1-3-30-55		4
	7319 (50.200) Washer 1/4 20th Sr.		2
	326546 (50.200) Washer 11/32 x 1-1/8 2004-5-7-8-20-1-3-30-55		2
	326541 (50.945) Washer-Rubber 2004-5-7-8-20-1-3-30-55		2
7.1035	SEAL, Rear fender gravel shield		
	372495 2000-1-3-6-10-11		1
	357461 Inner left 2004-5-7-8-20-1-3-30-55		1
	357460 Outer left 2004-7-20-1-3		1
	359013 Outer left 2005-8-30-55		1

INDEX NO.	PART NO.	DESCRIPTION AND MODELS	PER CAR
REAR—Continued			
7.104	INSULATION, Rear fender gravel shield screw	324851 2004-5-7-8-20-1-3-30-55	2
7.105	SPACER, Rear fender gravel shield screw	326640 2004-5-7-8-20-1-3-30-55	2
7.106	LINER, Rear fender (to body)	357885 2004-5-7-8-20-1-3-30-55	2
7.108	SHROUD ASSEMBLY, Rear fender	366652 Right 2003-6-10-11	1
		366653 Left 2003-6-10-11	1
7.1083	ANTI-RATTLER, Rear fender shroud	359684 Right 2003-6-10-11	1
		359685 Left 2003-6-10-11	1
7.1085	RETAINER, Rear fender shroud anti-rattler	359686 2003-6-10-11	2
7.1088	BRACKET, Rear fender shroud	359680 Right Front 2003-6-10-11	1
		359682 Right rear upper 2003-6-10-11	1
		359681 Left Front 2003-6-10-11	1
		366511 Left rear upper 2003-6-10-11	1
		366510 Rear lower 2003-6-10-11	2
		359683 Bolt	2
		5935 (50.230) Lockwasher #10	2
		7336 (50.100) Nut #10-24	2
		7330 (50.200) Washer #10	2
7.117	TRIM STRIP, Rear fender	366320 (19-7/8") 2004-5-7-8-20-1-3	8
7.1175	CLIP, Rear fender trim strip	331916 2004-5-7-8-20-1-3	48

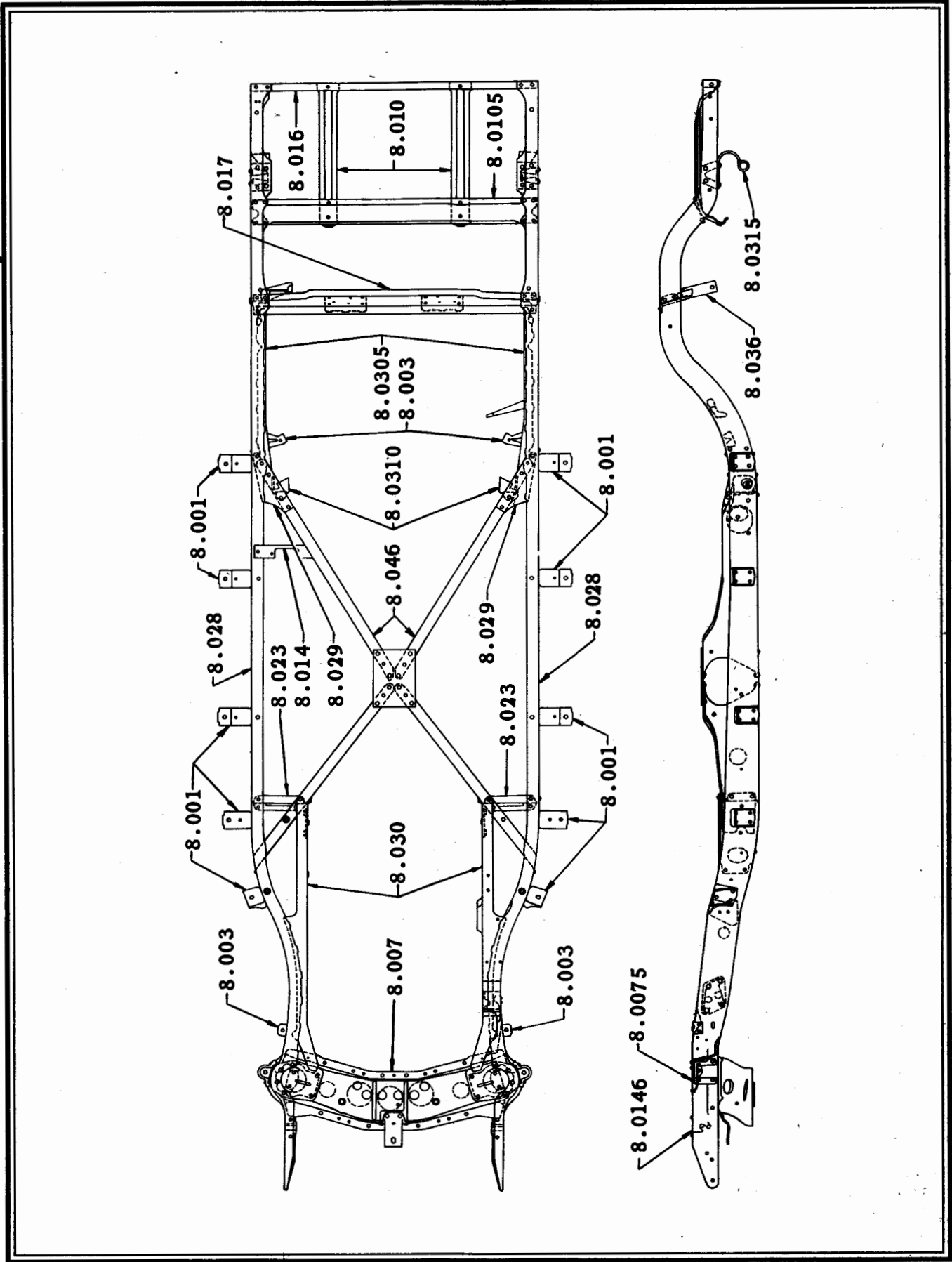
RUNNING BOARD

7.200	RUNNING BOARD ASSEMBLY		
		356803 Right 2001A-3A	1
		356795 Right 2004	1
		356797 Right 2005	1
		356799 Right 2007	1
		356801 Right 2008	1
		356641 Right 2020	1
		356643 Right 2021	1
		356645 Right 2023	1
		364617 Right 2030	1
		378504 Right 2055	1
		356802 Left 2001A-3A	1
		356794 Left 2004	1
		356796 Left 2005	1
		356798 Left 2007	1
		356800 Left 2008	1
		356640 Left 2020	1
		356642 Left 2021	1
		356644 Left 2023	1
		364616 Left 2030	1
		378503 Left 2055	1
		6900 (50.120) Nut 5/16-24	x
		3909 (50.200) Washer 5/16	x
7.203	BRACE, Bracket (to frame)	324184 (Front) 2001A-3A-4-5-7-8-20-1-3-55	2
		320967 (Rear and center) 2001A-3A-4-5-7-8-20-1-3-30-55	x
7.204	BRACKET ASSEMBLY, Running board	356745 Front 2001A-3A-4-5-7-8-20-1-3-55	2
		356748 Center 2001A-3A-4-5-7-8-55	2
		356755 Center right 2001A-3A-5-8-55	1
		356757 Center right 2004-7-30	1
		356754 Center left 2001A-3A-5-8-55	1
		356756 Center left 2004-7-30	1

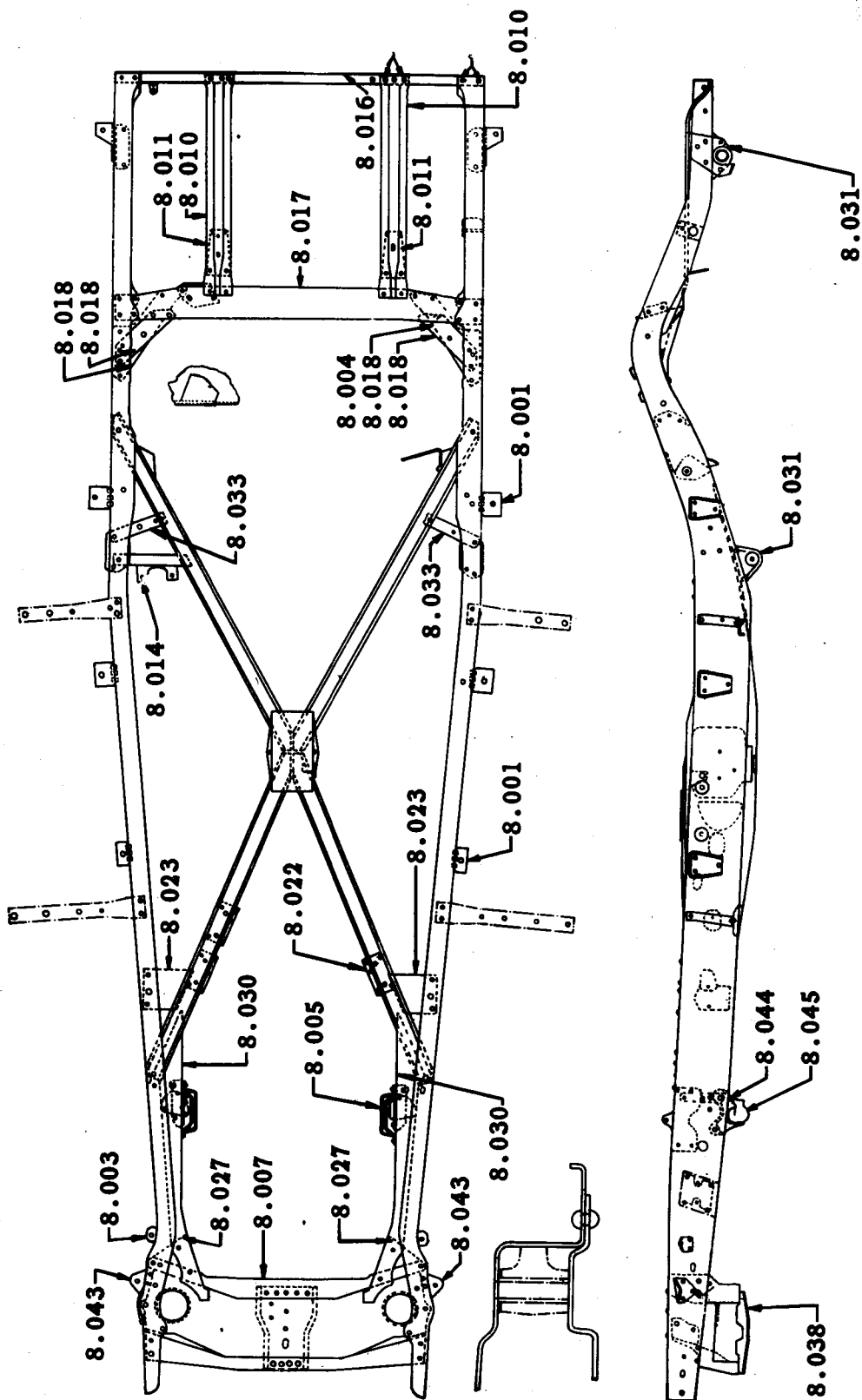
INDEX NO.	PART NO.	DESCRIPTION AND MODELS	PER CAR
RUNNING BOARD—Continued			
7.204	BRACKET ASSEMBLY, Running board (Cont'd)		
		356747 Rear 2001A-3A-4-5-7-8-20-1-3-55	2
		356751 Rear right 2005-8-55	1
		356753 Rear Right 2020-1-3	1
		356750 Rear left 2005-8-55	1
		356752 Rear left 2020-1-3	1
		356749 Rear 2030	2
		6441 (50.400) Rivet 3/8 x 7/8 2004-5-7-8-20-1-3-30-55	x
		7387 (50.003) Bolt 3/8-24 x 7/8 2001A-3A	24
		5506 (50.220) Lockwasher 3/8 2001A-3A	24
		7006 (50.100) Nut 3/8-24 2001A-3A	24
		6900 Locknut 5/16-24 2030	4
		3909 Washer 2030	4
7.207	MOULDING, Running board (See Index 30.8135 for Clipper type moulding)		
		356493 (Top) (Intermediate - long) 2004-5-23	2
		364242 (Top) (Intermediate - long) 2007-8	2
		356492 (Top) (Intermediate - short) 2004-5-23	2
		364241 (Top) (Intermediate - short) 2007-8	2
		356482 (Top) (long) 2004	8
		356483 (Top) (long) 2005	8
		364238 (Top) (long) 2007	8
		364239 (Top) (long) 2008	8
		356481 (Top) (long) 2023	8
		356622 (Top) (Short) 2001A-3A-4-5-21-3	x
		364240 (Top) (Short) 2007-8	2
		364289 (Side) 2001A-3A	2
		364287 (Side) 2004-7	2
		364288 (Side) 2005-8-55	2
		364286 (Side) 2020-1-3	2
		364615 (Side) 2030	2
		364319 (50.500) Clip (End side) 2001A-3A-4-5-7-8-20-1-3-55	4
		367119 (50.600) Clip (Side) 2001A-3A-4-5-7-8-55	x
		364608 (50.600) Clip (Side) 2020-1-3	12
		356504 (50.600) Clip (Top) 2001A-3A-4-5-21-3	x
		356660 (50.600) Clip (Top) 2007-8	x
		364724 Bolt 2030	10
		7305 Nut 5/16-18 2030	10
		5504 Lockwasher 5/16 2030	10
7.2075	CLIP SET, Running board moulding	98776 (2 Sides) 2004-5-7-8-20-1-3-55	1
		379464 (1 side) 2004-5-7-8-20-1-3-55	2
7.208	DEFLECTOR, Running board rear fender pebble	362338 2001A-3A-4-5-7-8-20-1-3-55	2
		7550 (50.300) Screw #8 x 1/2	4
7.2085	PLATE, Running board rear fender pebble deflector	362339 2001A-3A-4-5-7-8-20-1-3-55	2
7.209	RUNNING BOARD, Splasher equipment		
		364875 (Not used with side wheel carrier) 2004-7 ..	1
		364872 (Not used with side wheel carrier) 2020-1-3 ..	1
		364876 (Use with side wheel carrier) 2004-7	1
		364874 (Use with side wheel carrier) 2021-3	1
7.210	SPLASHER ASSEMBLY, Running board		
		356987 Right (Use with fender well) 2004-7	1
		356985 Right (Use with fender well) 2021-3	1
		356983 Right (Without fender well) 2004-7	1
		356981 Right (Without fender well) 2020-1-3	1
		356986 Left (Use with fender well) 2004-7	1
		356984 Left (Use with fender well) 2021-3	1
		356982 Left (Without fender well) 2004-7	1
		356980 Left (Without fender well) 2020-1-3	1
		5502 (50.220) Lockwasher 1/4	4
		7004 (50.100) Nut 1/4-28	4
		7842 (50.003) Screw 1/4-28 x 1-1/4 (To fender) ..	8
		7698 (50.300) Screw #14 x 1/2 (To sill)	x
		354620 Washer 1/4	4

INDEX NO.	PART NO.	DESCRIPTION AND MODELS	PER CAR	INDEX NO.	PART NO.	DESCRIPTION AND MODELS	PER CAR
RUNNING BOARD—Continued				FRAME			
7.210	SPLASHER ASSEMBLY, Running board (Cont'd)			8.000	FRAME ASSEMBLY		
	7319 (50.200)	Washer 1/4	8	373924	LHD 2000-1-10-11		1
	3870 (50.200)	Washer 1/4	x	356302	LHD 2001A		1
7.211	LINER, Running board splasher (to fender)			377286	LHD 2003-6		1
	364550	Front right 2004-7-20-1-3	1	362059	LHD 2003A		1
	364549	Front left 2004-7-20-1-3	1	356339	LHD 2004-7		1
	362605	Rear 2004-7-20-1-3	2	356704	LHD 2005-8-55		1
7.212	BRACKET, Running board splasher gasoline line			364574	LHD 2020		1
	362039	Front 2004-7-20-1-3	1	362370	LHD 2021		1
	358493	Intermediate and rear 2004-7-20-1-3	x	356194	LHD 2023		1
	6441 (50.400)	Rivet 3/8 x 7/8	x	364573	2030		1
7.213	MOULDING, Running board splasher			378845	RHD 2000-1-10-11		1
	364290	(Not used with fender well) 2004-7	2	356303	RHD 2001A		1
	364291	(Not used with fender well) 2020-1-3	2	362060	RHD 2003A		1
	364292	(Use with fender well) 2004-7	2	356338	RHD 2004-7		1
	364293	(Use with fender well) 2021-3	2	356705	RHD 2005-8-55		1
7.214	CLIP, Running board splasher moulding			364575	RHD 2020		1
	367119	2004-7	12	362371	RHD 2021		1
	364319	(End) 2004-7-20-1-3	4	356193	RHD 2023		1
	364320	2020-1-3	12	8.001	BRACKET, Body hold down		
7.215	LINER, Running board splasher to sill			371854	(#1) 2000-1-3-6-10-11		2
	356945	Front 2004-7-20-1-3	2	371853	(#2) 2000-1-3-6-10-11		2
	356946	Intermediate 2004-7	2	371852	(#3-4) 2000-1-3-6-10-11		4
	356947	Short 2004-7	2	373117	(#5) Right 2000-1-3-6-10-11		1
	356946	Rear 2020-1-3	2	373116	(#5) Left 2000-1-3-6-10-11		1
				341969	(Scoop shape-5 holes) 2001A-3A-4-5-7-8-20-1-3-55		2
				358672	Right (L shape-4 holes) 2001A-3A-4-5-7-8-20-1-3-55		1
				358671	Left (L shape-4 holes) 2001A-3A-4-5-7-8-20-1-3-55		1
				341967	(Scoop shape-6 holes) 2001A-3A-5-8-55		2
				362631	(Scoop shape-4 holes) 2001A-3A		2
				341968	2004-7-20-1-3		4
				341968	2005-8-55		2
				8.002	BRACE, Body hold down bracket		
				341972	(Height 4-1/4") 2004-7-21-3-30		2
				341971	Right (Height 6-1/2") 2004-7-21-3-30		1
				338831	Right (Height 4-1/4") 2005-8-55		1
				341974	Right (Height 6-1/2") 2005-8-55		1
				341970	Left (Height 6-1/2") 2004-7-21-3-30		1
				333646	Left (Height 4-1/4") 2005-8-55		1
				341973	Left (Height 6-1/2") 2005-8-55		1
				8.003	BRACKET, Brake hose union		
				341937	Front 2000-1-1A-3A-4-5-7-8-10-11-20-1-3-55		2
				371179	Rear 2000-1-3-6-10-11		1
				354951	Rear 2001A-3A-4-5-7-8-10-11		1
				348667	Rear 2020-1-3		1
				354951	Rear 2030		1
				8.005	BRACKET, Brake master cylinder		
				341938	2001A-3A-4-5-7-8-20-1-3-55		1
				8.0065	BRACKET ASSEMBLY, Engine stabilizer support		
				358999	Right 2003A-4-5-7-8-23-55		1
				358998	Left 2003A-4-5-7-8-23-55		1
				309958	Nut		4
				8.007	CHANNEL ASSEMBLY, Frame front		
				373965	2000-1-10-11		1
				367181	2001A-3A-4-5-7-8-20-1-3-55		1
				373966	2003-6		1
				8.0075	BRACKET, Frame front suspension bumper		
				367494	2000-1-3-6-10-11		2
				8.010	SUPPORT ASSEMBLY, Gasoline tank		
				371036	Right 2000-1-3-6-10-11		1
				341917	Right 2001A-3A-4-5-7-8-21-3-30-55		1
				371037	Left 2000-1-3-6-10-11		1
				364629	Left 2001A-3A-4-5-7-8-20-1-3-30-55		1

INDEX NO.	PART NO.	DESCRIPTION AND MODELS	PER CAR	INDEX NO.	PART NO.	DESCRIPTION AND MODELS	PER CAR
FRAME—Continued				FRAME—Continued			
8.0105	CHANNEL, Frame gasoline tank support			8.024	BRACKET ASSEMBLY, Shock absorber (rear) (Cont'd)		
	373018 2000-1-3-6-10-11		1	348666	Right 2021-3		1
8.011	BRACKET, Gasoline tank support			356169	Left 2001A-3A		1
	341915 Right 2001A-3A-4-5-7-8-20-1-3-55		1	356167	Left 2004-7-30		1
	341914 Left 2001A-3A-4-5-7-8-20-1-3-55		1	356168	Left 2005-8-55		1
8.013	SUPPORT, (Exhaust) muffler outlet tube			348665	Left 2021-3		1
	324661 Front 2001A-3A		1	8.0245	BRACKET, Shock absorber (rear)		
	341926 2001A-3A-4-5-7-8-20-1-3-55		1	348573	2000-1-3-6-10-11-20		2
8.014	BRACKET, Frame muffler support			354993	Left 2030		1
	371919 2000-1-10-11		1	354994	Right 2030		1
	341965 2001A-3A		1	8.027	PLATE, (Front) shock absorber reinforcement		
	373851 2003-6		1	320728	Right 2001A-3A-4-5-7-8-21-3-55		1
	341669 2004-7-30		1	362892	Right 2020		1
	341966 2005-8-55		1	320727	Left 2001A-3A-4-5-7-8-21-3-55		1
	341948 2020-1-3		1	362891	Left 2020		1
8.0146	SUPPORT AND SPACER ASSEMBLY, Radiator cradle tie rod bracket			8.028	FRAME SIDE		
	377501 Right 2000-1-10-11		1	373896	Right LHD 2000-1-10-11		1
	377500 Left 2000-1-10-11		1	356311	Right LHD 2001A-3A		1
	371063 2003-6		2	377325	Right LHD 2003-6		1
8.016	CHANNEL, Frame rear			356268	Right LHD 2004-7		1
	367204 2000-1-3-6-10-11		1	356284	Right LHD 2005-8-55		1
	356881 2001A-3A-4-5-7-8-20-1-3-55		1	364577	Right LHD 2020		1
8.017	CHANNEL, Frame rear intermediate			356591	Right LHD 2021-3		1
	367272 2000-1-3-6-10-11		1	364572	Right 2030		1
	333802 2001A-3A		1	373895	Left LHD 2000-1-10-11		1
	356079 2004-5-7-8-21-3-55		1	356310	Left LHD 2001A-3A		1
	358673 2020		1	377324	Left LHD 2003-6		1
	356079 2030		1	356267	Left LHD 2004-7		1
8.018	BRACE, Rear (intermediate) channel			356283	Left LHD 2005-8-55		1
	333077 Right 2001A-3A		1	364576	Left LHD 2020		1
	333026 Right 2004-5-7-8-21-3-30-55		1	356590	Left LHD 2021-3		1
	333076 Left 2001A-3A		1	364571	Left 2030		1
	333025 Left 2004-5-7-8-21-3-30-55		1	378268	Right RHD 2000-1-10-11		1
8.019	REINFORCEMENT, (Rear) intermediate channel			356312	Right RHD 2001A-3A		1
	367223 Right 2000-1-3-6-10-11		1	356269	Right RHD 2004-7		1
	354297 Right 2020		1	356285	Right RHD 2005-8-55		1
	367222 Left 2000-1-3-6-10-11		1	364579	Right RHD 2020		1
	354292 Left 2020		1	356592	Right RHD 2021-3		1
8.022	PLATE, Rear engine support			378267	Left RHD 2000-1-10-11		1
	330950 Rear 2001A-3A-4-5-7-8-20-1-3-55		2	364023	Left RHD 2001A-3A		1
8.023	PLATE, Frame shear			364021	Left RHD 2004-7		1
	367902 Right Front 2000-1-3-6-10-11		1	364022	Left RHD 2005-8-55		1
	341928 Right Front 2001A-3A-4-5-7-8-20-1-3-55		1	364578	Left RHD 2020		1
	341695 Right Intermediate 2004-7-30		1	362887	Left RHD 2021-3		1
	333622 Right Intermediate 2005-8-55		1	8.0285	NUT, Side front body hold down bolt		
	333851 Right Rear 2001A-3A		1	319038	2001A-3A-4-5-7-8-20-1-3-55		2
	333529 Right Rear 2005-8-55		1	8.029	GUSSET, Side		
	367901 Left Front 2000-1-3-6-10-11		1	373191	Lower - Right 2000-1-3-6-10-11		1
	341927 Left Front 2001A-3A-4-5-7-8-20-1-3-55		1	373190	Lower - Left 2000-1-3-6-10-11		1
	341696 Left Intermediate 2004-7-30		1	373189	Upper - Right 2000-1-3-6-10-11		1
	333621 Left Intermediate 2005-8-55		1	373188	Upper - Left 2000-1-3-6-10-11		1
	333580 Left rear 2001A-3A		1	8.030	SUB CHANNEL, Side (front)		
	333528 Left Rear 2005-8-55		1	377306	Right LHD 2000-1-10-11		1
8.0231	NUT, Shock absorber bolt			333354	Right LHD 2001A-3A-4-5-7-8-55		1
	309859 2001A-3A-4-5-7-8-55		8	377316	Right LHD 2003-6		1
	341953 2020-1-3		6	364581	Right LHD 2020		1
8.0232	SPACER, Shock absorber (rear) bolt			364055	Right LHD 2021-3		1
	348540 2001A-3A-4-5-7-8-21-3-30-55		2	377305	Left LHD 2000-1-10-11		1
8.024	BRACKET ASSEMBLY, Shock absorber (rear)			333355	Left LHD 2001A-3A-4-5-7-8-55		1
	356172 Right 2001A-3A		1	377315	Left LHD 2003-6		1
	356170 Right 2004-7-30		1	364580	Left LHD 2020		1
	356171 Right 2005-8-55		1	364054	Left LHD 2021-3		1
				378261	Right RHD 2000-1-10-11		1
				333459	Right RHD 2001A-3A-4-5-7-8-55		1
				364583	Right RHD 2020		1
				364057	Right RHD 2021-3		1
				378260	Left RHD 2000-1-10-11		1
				364020	Left RHD 2001A-3A-4-5-7-8-55		1



FRAME (CLIPPER TYPE)



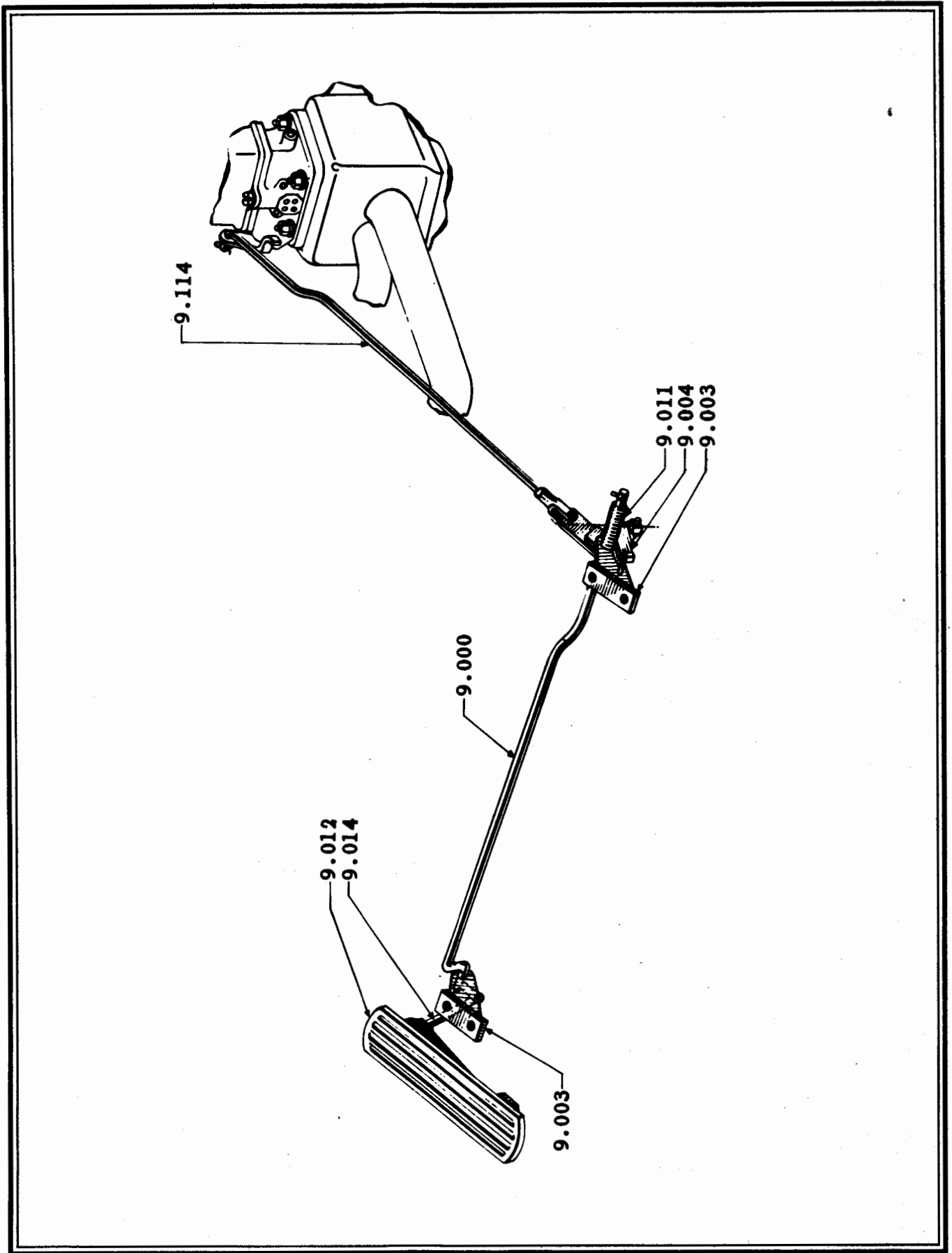
FRAME

INDEX NO.	PART NO.	DESCRIPTION AND MODELS	PER CAR	INDEX NO.	PART NO.	DESCRIPTION AND MODELS	PER CAR
FRAME—Continued				FRAME—Continued			
8.030		SUB CHANNEL, Side (front) (Cont'd)		8.046		"X" MEMBER ASSEMBLY, Frame	
	364582	Left RHD 2020	1		364756	RHD 2020	1
	364056	Left RHD 2021-3	1		364864	RHD 2021-3	1
8.0305		SUB CHANNEL, Side (rear)					
	367837	Right 2000-1-3-6-10-11	1				
	367836	Left 2000-1-3-6-10-11	1				
8.0310		BRACKET, Spring (rear)					
	367936	Front Right 2000-1-3-6-10-11	1				
	326635	Front Right 2001A-3A-4-5-7-8-55	1				
	348186	Front Right 2020-1-3	1				
	367935	Front Left 2000-1-3-6-10-11	1				
	326634	Front Left 2001A-3A-4-5-7-8-55	1				
	348185	Front Left 2020-1-3	1				
8.0315		BRACKET ASSEMBLY, Spring (rear shackle)					
	367203	Right 2000-1-3-6-10-11	1				
	356808	Right 2001A-3A	1				
	356174	Right 2004-5-7-8-55	1				
	347196	Right 2020-1-3	1				
	367202	Left 2000-1-3-6-10-11	1				
	356807	Left 2001A-3A	1				
	356173	Left 2004-5-7-8-55	1				
	347195	Left 2020-1-3	1				
8.033		BRACE, Spring - rear bracket (front)					
	333945	2001A-3A-5-8-55	2				
	362026	Right 2004-7	1				
	341942	Right 2020-1-3	1				
	362025	Left 2004-7	1				
	341941	Left 2020-1-3	1				
8.036		BRACKET ASSEMBLY, Stabilizer lateral					
	373931	2000-1-3-6-10-11	1				
8.038		PLATE, Steering crank mounting					
	341409	2001A-3A-4-5-7-8-20-1-3-55	1				
8.039		SPACER, Steering gear bolt					
	371060	LHD 2000-1-3-6-10-11	1				
	341896	LHD 2001A-3A-4-5-7-8-21-3-55	1				
	341930	LHD 2020	1				
	378394	RHD 2000-1-10-11	1				
	342331	RHD 2001A-3A-4-5-7-8-21-3-55	4				
	324330	RHD 2020	4				
8.040		SUPPORT, Universal joint shaft bearing intermediate housing					
	351693	Right 2020-1	1				
	351692	Left 2020-1	1				
8.043		BRACKET, Wheel front spring rebound bumper					
	341975	Right 2001A-3A-4-5-7-8-23-55	1				
	341950	Left 2001A-3A-4-5-7-8-23-55	1				
8.044		BRACKET, Wheel (front) torque arm					
	320969	Right 2001A-3A-4-5-7-8-55	1				
	348392	Right 2020-1-3	1				
	320968	Left 2001A-3A-4-5-7-8-55	1				
	348391	Left 2020-1-3	1				
8.045		CAP, Wheel (front) torque arm bracket					
	300961	2001A-3A-4-5-7-8-55	2				
	6048	(50.230) Lockwasher 3/8	6				
	7241	(50.003) Screw 3/8-16 x 1-5/8	6				
8.046		"X" MEMBER ASSEMBLY, Frame					
	367937	LHD 2000-1-3-6-10-11	1				
	356366	2001A-3A	1				
	356276	2004-7	1				
	356306	2005-8-55	1				
	356252	LHD 2020	1				
	356235	LHD 2021-3	1				
	364521	2030	1				
	378240	RHD 2000-1-10-11	1				

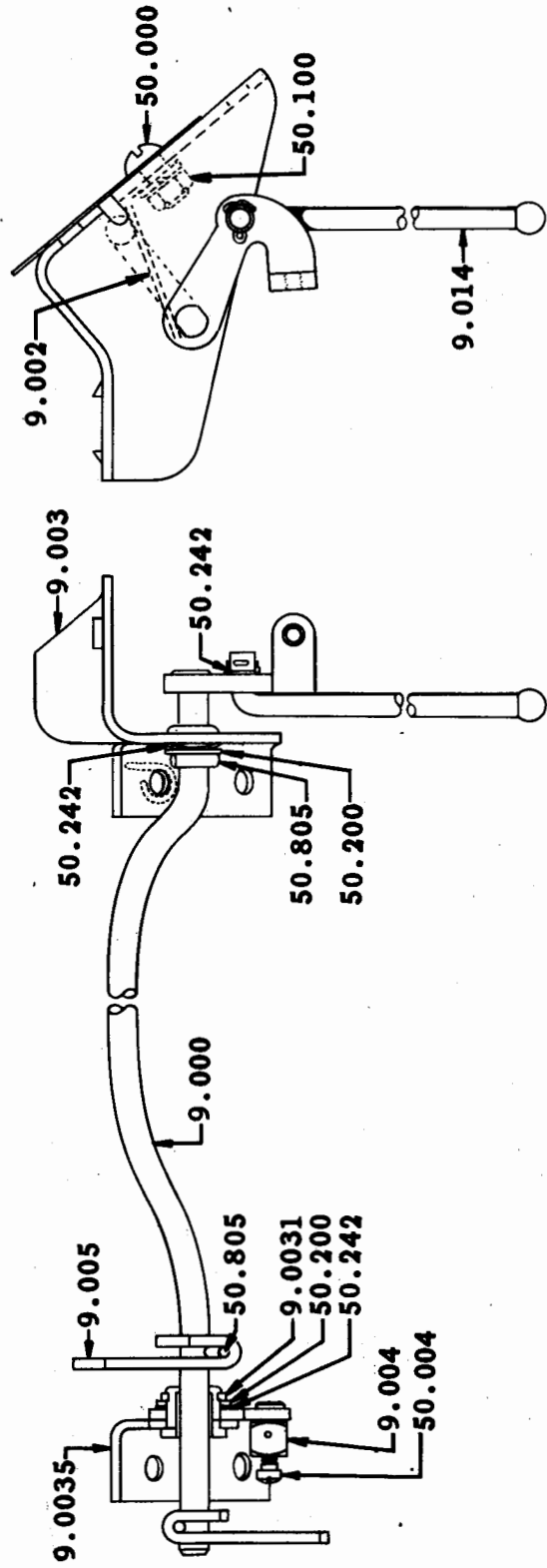
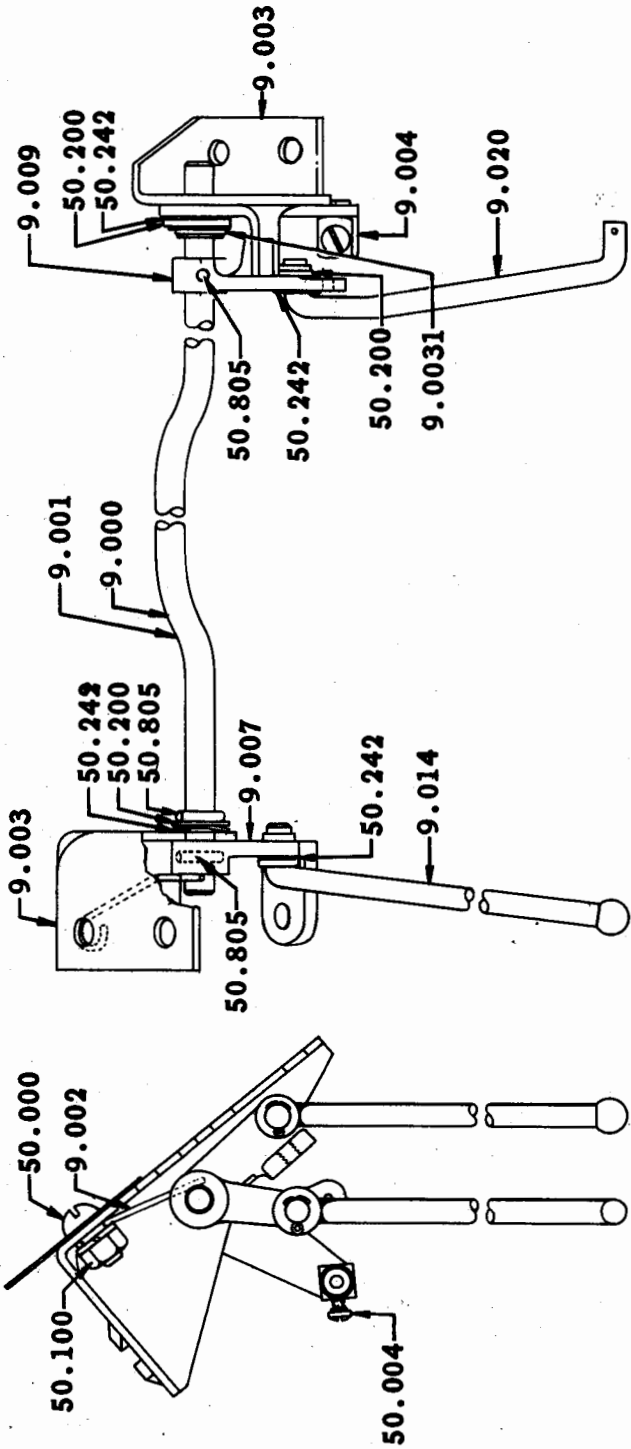
INDEX NO.	PART NO.	DESCRIPTION AND MODELS	PER CAR
ACCELERATOR			
9.000		SHAFT ASSEMBLY, Accelerator cross	
*	378120	2001A-20-1	1
	378071	(LHD) 2001A-21	1
#	378069	(LHD) 2001A-20-1	1
	378069	(LHD) 2020	1
#	378413	(RHD) 2001A-21	1
	378412	(RHD) 2001A-21	1
	378393	(RHD) 2003A-4-5-7-8-23	1
#	378411	(RHD) 2020	1
	378410	(RHD) 2020	1
9.0005		LEVERS ASSEMBLY, Cross shaft and operating	
*	378537	2001A-20-1	1
*	367619	(Not used with Econo-Drive) 2003A-4-5-7-8-23-55	1
*	367637	(Use with Econo-Drive) 2003A-4-5-7-8-23-55	1
9.001		SHAFT, Accelerator cross	
	333715	(LHD) 2001A-20-1	1
	348305	(LHD) 2003A-4-5-7-8-23-55	1
	324734	(RHD) 2001A-3A-4-5-7-8-20-1-3-55	1
	300693	Pin (LHD) 2001A-20-1	1
	330344	Spring washer (LHD) 2001A-20-1	1
	3874	(50.200) Washer 5/16 plain 2001A-3A-4-5-7-8-20-1-3-55	x
9.002		SPRING, Cross shaft anti-rattler	
	330044	(LHD) 2001A-20-1	1
	335575	(LHD) 2003A-4-5-7-8-23-55	1
9.003		BRACKET ASSEMBLY, Cross shaft	
	378387	(RHD) 2001A-3A-4-5-7-8-20-1-3-55	1
9.0035		BRACKET, Cross shaft	
	335724	Right (LHD) 2001A-20-1	1
	378168	Right (LHD) 2003A-4-5-7-8-23-55	1
	333936	Left (LHD) 2001A-20-1	1
	335529	Left (LHD) 2003A-4-5-7-8-23-55	1
	324737	(RHD) 2001A-3A-4-5-7-8-20-1-3-55	1
	5502	(50.220) Lockwasher 1/4 (LHD)	x
	5504	(50.220) Lockwasher 5/16 (LHD)	1
	7004	(50.100) Nut 1/4-28 (LHD)	x
	7003	(50.100) Nut #10-32 (RHD)	1
	7005	(50.100) Nut 5/16-24 (RHD)	1
	300693	Pin (LHD)	1
	6507	Screw 1/4-28 x 9/16 (LHD)	x
	5575	(50.003) Screw 5/16-24 x 7/8 (RHD)	1
	330344	Spring washer (LHD)	1
	338405	Washer 5/16 (LHD)	1
9.005		LEVER, Cross shaft carburetor throttle	
	354205	(LHD) 2001A-20-1	1
	335905	(RHD) 2001A-20-1	1
	303563	Pin (LHD)	1
	300693	Pin (RHD)	1
9.006		LEVER, Cross shaft foot pedal	
	335888	(RHD) 2001A-20-1	1
	335893	(RHD) 2003A-4-5-7-8-23-55	1
	300693	Pin (RHD)	1
9.007		LEVER, Cross shaft operating	
	367121	(LHD) 2001A-20-1	1
	367266	(LHD) 2003A-4-5-7-8-23-55	1
#	354230	Adj. Screw 2003A-4-5-7-8-23-55	1
	#7251	(50.100) Nut 1/4-28 2003A-4-5-7-8-23-55	1
	300693	Pin 2003A-4-5-7-8-23-55	1
9.008		LEVER ASSEMBLY, Cross shaft relay	
	348915	(RHD) 2003A-4-5-7-8-23-55	1
	300693	Pin	1
9.009		LEVER, Cross shaft relay operating	
	371879	(LHD) 2003A-4-5-7-8-23-55	1
	300693	Pin	1

INDEX NO.	PART NO.	DESCRIPTION AND MODELS	PER CAR
ACCELERATOR—Continued			
9.010		SPRING, Cross shaft retracting	
*	371454	(LHD) 2003A-4-5-7-8-23-55	1
	371682	(LHD) 2003A-4-5-7-8-23-55	1
9.011		SPRING, Cross shaft	
	316818	(RHD) 2001A-3A-4-5-7-8-20-1-3-55	1
	4305	(50.240) Cotter pin 1/8 x 7/8	1
9.0113		SWITCH, Cross shaft	
*	377752	2001A-3A-4-5-7-8-20-1-3-55	1
	*7658	(50.300) Screw #10 x 1/2	x
	*7656	(50.300) Screw #10 x 1/2 (Upper) 2003A-4-5-7-8-23-55	1
9.0114		BRACKET, Accelerator cross shaft switch	
*	371880	2003A-4-5-7-8-23-55	1
	*5502	(50.220) Lockwasher 1/4	1
	*7801	(50.003) Screw 1/4 x 1/2	1
9.0115		ROD, Accelerator cross shaft switch operating	
*	377788	2001A-20-1	1
*	377783	2003A-4-5-7-8-23-55	1
	*7191	(50.240) Cotter pin 1/16 x 7/16	2
9.012		PEDAL, Accelerator	
	362838	20th Sr.	1
9.013		BRACKET, Pedal hinge	
	362356	(Not used on RHD 2001A-3-6-20-1) 2000-1-1A-3-6-10-11-20-1	1
	362837	(Not used on LHD 2001A-20-1) 2001A-3A-4-5-7-8-20-1-3-55	1
	5502	(50.220) Lockwasher 1/4	2
	7004	(50.100) Nut 1/4-28	2
	7492	(50.000) Screw 1/4-28 x 1/2	2
	7493	(50.000) Screw (RHD)	2
9.0131		Pin, Pedal hinge	
	338323	20th Sr.	1
9.01313		RETAINING RING, Accelerator pedal hinge pin	
	225490	20th Sr.	1
9.01315		SPRING WASHER, Pedal hinge	
	194732	20th Sr.	x
9.014		ROD, Pedal push	
	371768	(LHD) 2000-1-3-6-10-11	1
	324367	(LHD) 2001A-20-1	1
	335543	(LHD) 2003A-4-5-7-8-23-55	1
	379026	(RHD) 2000-1-10-11	1
	327734	(RHD) 2001A-3A-4-5-7-8-20-1-3-55	1
	4380	(50.240) Cotter pin 1/16 x 1/2	1
	194732	Spring washer	1
	3907	Washer 1/4	1
9.0143		LEVER, Accelerator pedal push rod	
	371998	2000-1-3-6-10-11	1
	4380	(50.240) Cotter pin 1/16 x 1/2	1
	373202	Washer	2
9.0144		BRACKET, Accelerator pedal push rod lever	
	379297	2000-1-3-6-10-11	1
9.01445		PIN, Accelerator pedal push rod lever	
	379296	2000-1-3-6-10-11	1
9.0145		ROD, Accelerator pedal push rod lever (to relay lever)	
	373078	(LHD) 2000-1-3-6-10-11	1
	#373114	(Long) 2000-1-3-6-10-11	1
	#373085	(Short) 2000-1-3-6-10-11	1
	4280	(50.240) Cotter pin 1/16 x 1/2 (LHD)	1
	#367303	Nut #10-32	1
	3906	Washer 3/16 (LHD)	1

* Used with Electromatic Clutch
Used with Econo Drive



ACCELERATOR



ACCELERATOR CROSS SHAFT

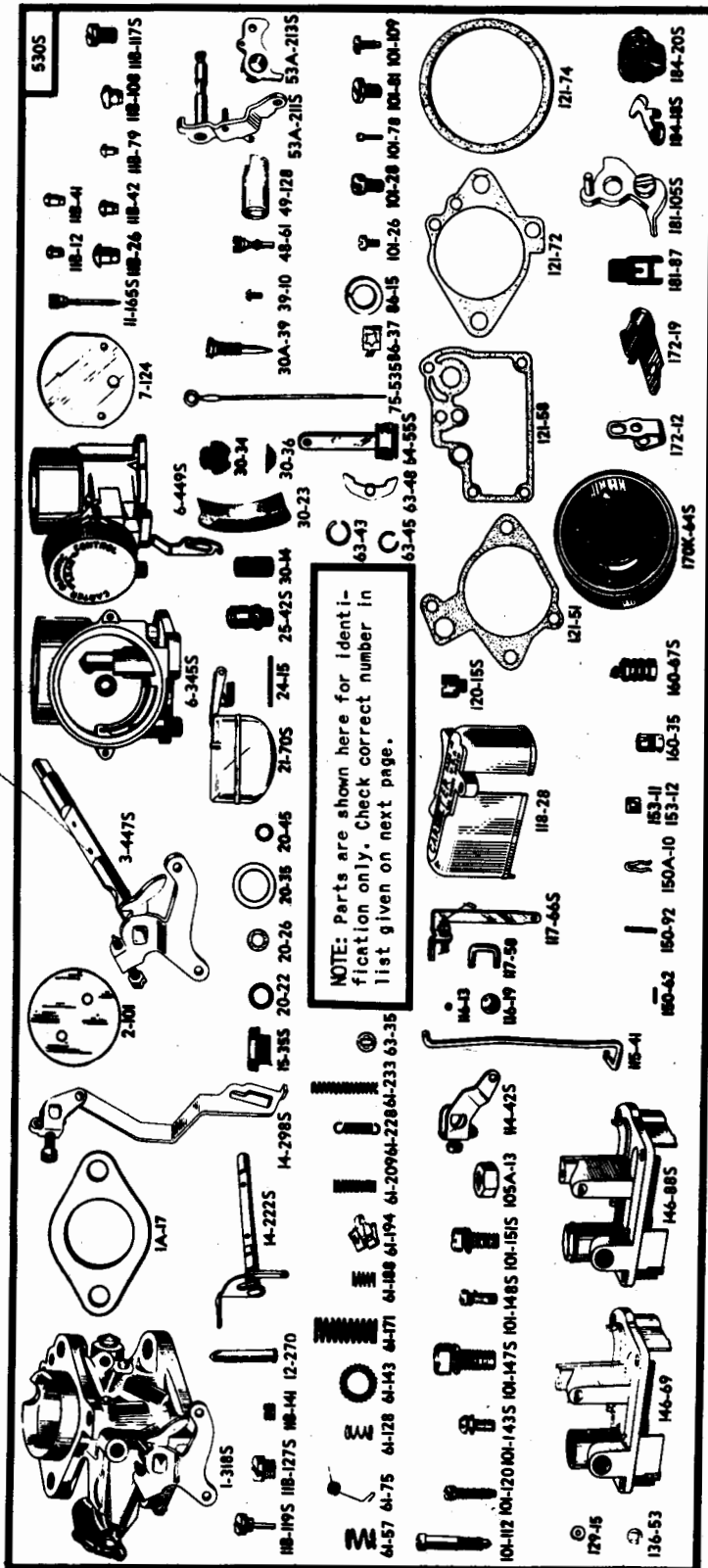
INDEX NO.	PART NO.	DESCRIPTION AND MODELS	PER CAR
ACCELERATOR—Continued			
9.0147	CLEVIS CLIP, Accelerator pedal push rod lever rod end (to realy lever)	338753 Right 2000-1-3-6-10-11	1
9.0148	SPRING, Accelerator pedal push rod retracting	*371454 2001A-20-1	1
9.015	WEATHER SEAL, Pedal push rod	338580 20th Sr.	1
9.016	SPRING, Pedal retracting	371454 2000-1-3-6-10-11	1
		338401 (LHD) 2001A-20-1	1
9.017	LEVER, Pedal retracting spring	371871 (LHD) 2001A-20-1	1
		303563 Pin (LHD)	1
9.018	LEVER, Relay	373132 (Not used on 2000-10-3-6-RHD) 2000-1-3-6-10-11	2
		348277 2003A-4-5-7-8-23-55	1
		354205 (RHD) 2000-10	2
9.019	BRACKET, Relay lever	371971 2000-1-3-6-10-11	1
		335852 2003A-4-5-7-8-23-55	1
		4280 (50.240) Cotter pin 1/16 x 1/2 2003A-4-5-7-8-23-55	1
		5502 (50.220) Lockwasher 1/4 2003A-4-5-7-8-23-55	2
		5265 Pin 2003A-4-5-7-8-23-55	1
		7370 (50.003) Screw 1/4-28 x 9-16 (LHD) 2003A-4-5-7-8-23-55	2
		7372 (50.003) Screw 1/4-28 x 5/8 (RHD) 2003A-4-5-7-8-23-55	2
		378743 Spacer (RHD) 2001-11	1
		194732 Spring washer 2003-4-5-7-8-23-55	1
9.020	ROD, Relay lever push	378359 (LHD) 2003A-4-5-7-8-23-55	1
		378376 (RHD) 2003A-4-5-7-8-23-55	1
		4280 (50.240) Cotter pin 1/16 x 1/2	2
		194732 Spring washer (LHD)	2
		3907 Washer 1/4 (LHD)	2
		3868 Washer 1/4 (RHD)	2
9.0203	ROD, Accelerator relay lever (to carburetor throttle operating shaft lever)	373107 (LHD) 2000-10	1
		373087 (LHD) 2001-11	1
		*378780 LHD (Long) 2000-1-10-11	1
		*373085 LHD (Short) 2000-1-10-11	1
		377674 LHD 2003-6	1
		378753 (RHD) 2001-11	1
		378752 (RHD) 2000-10	1
		4280 (50.240) Cotter pin 1/16 x 1/2 (LHD)	1
		*4280 (50.240) Cotter pin 1/16 x 1/2	1
		7003 (50.100) Nut #10-32	1
		367303 Nut (LHD)	1
		*7003 (50.100) Nut #10-32 LHD	1
		*367303 Nut #10-32 LHD	1
		303563 Pin (RHD)	2
		3906 Washer 3/16	1
		*3906 Washer #10	1
9.0204	CLIP, Accelerator relay lever rod end (to carburetor throttle operating shaft lever)	338753 Right (LHD) 2000-10	1
		338752 Left (LHD) 2000-1-3-6-10-11	1
		*338753 Left 2000-1-10-11	1
9.0205	TURNBUCKLE, Accelerator relay lever rod (to carburetor throttle operating shaft lever)	367312 (LHD) 2000-1-3-6-10-11	1

INDEX NO.	PART NO.	DESCRIPTION AND MODELS	PER CAR
ACCELERATOR—Continued			
9.02057	ROD ASSEMBLY, Accelerator relay lever (to clutch control valve)	*378121 (Long) (Use with Econo-Drive) 2000-10	1
		*373026 (Long) (Not used with Econo-Drive) 2000-10 ..	1
		*378118 (Long) (Use with Econo-Drive) 2001-11	1
		*373072 (Long) (Not used with Econo-Drive) 2001-11 ..	1
		*373034 (Short) 2000-1-10-11	1
9.0206	SHAFT AND BRACKET ASSEMBLY, Accelerator relay levers	371956 (Not used on RHD 2001-11) 2000-1-3-6-10-11 ..	1
		*378976 (LHD) 2000-1-10-11	1
		378748 (RHD) 2001-11	1
		5502 (50.220) Lockwasher 1/4	2
		7478 (50.000) Screw 1/4-20 x 1/2 LHD	2
		8095 (50.000) Screw 1/4-20 x 3/4 (RHD)	2

CARBURETOR

INDEX NO.	PART NO.	DESCRIPTION AND MODELS	PER CAR
CARBURETOR ASSEMBLY			
9.1001	CARBURETOR ASSEMBLY	377734 2000-10-20	1
		377735 2001-1A-11-21	1
		377736 2003-3A-4-5-6-7-8-23-55	1
		6658 Connector (inlet) 2001-1A-11-21	1
		6657 Elbow (inlet) 2000-10-20	1
		5504 (50.220) Lockwasher 5/16 2001-1A-3-3A-4-5-6-7-8-11-21-3-55	4
		7006 (50.100) Nut 3/8-24 2000-10-20	2
		7005 (50.100) Nut 5/16-24 2001-1A-3-3A-4-5-6-7-8-11-21-3	4
9.101	GASKET SET, Carburetor assembly	379769 2000-10-20	-
		371155 2001-1A-3-3A-4-5-6-7-8-11-21-3-55	1
9.1015	GASKET, Carburetor assembly	362257 2000-10-20	2
		338267 2001-1A-11-21	2
		341592 Lower 2003-3A-4-5-6-7-8-23-55	1
		348465 Upper 2003-3A-4-5-6-7-8-23-55	1
9.102	AIR CLEANER ASSEMBLY, Carburetor	377233 (Std.) 2000-10-20	1
		377232 (Oil bath) 2000-10-20	1
		367338 (Std.) 2001-11-21	1
		373849 (Oil bath) 2001-11-21	1
		373849 2001A	1
		377698 2003-3A-4-5-6-7-8-23-55	1
9.1034	BRACE, Air cleaner (to cylinder head)	373035 2000-1-1A-10-11-20-1	1
9.1035	BRACKET, Air cleaner and silencer support	377960 2003-3A-4-5-6-7-8-23-55	1
		5506 (50.220) Lockwasher 3/8	1
		7006 (50.100) Nut 3/8-24	1
9.106	COVER, Automatic choke manifold heat chamber	333301 2000-10-20	1
		335192 2001-1A-11-21	1
		341629 2003-3A-4-5-6-7-8-23-55	1
		333343 Screw 2000-3-3A-4-5-6-7-8-10-20-3-55	2
		325148 Screw 2001-1A-11-21	2
9.109	TUBE ASSEMBLY, Automatic choke (to manifold heat chamber cover)	378154 (Not used with manifold having heat chamber cover) 2000-10-20	1
		382406 (Used with manifold having heat chamber cover) 2000-10-20	1
		373952 (Not used with manifold having heat chamber cover) 2001-11-21	1
		382407 (Used with manifold having heat chamber cover) 2001-11-21	1

* Used with Electromatic Clutch



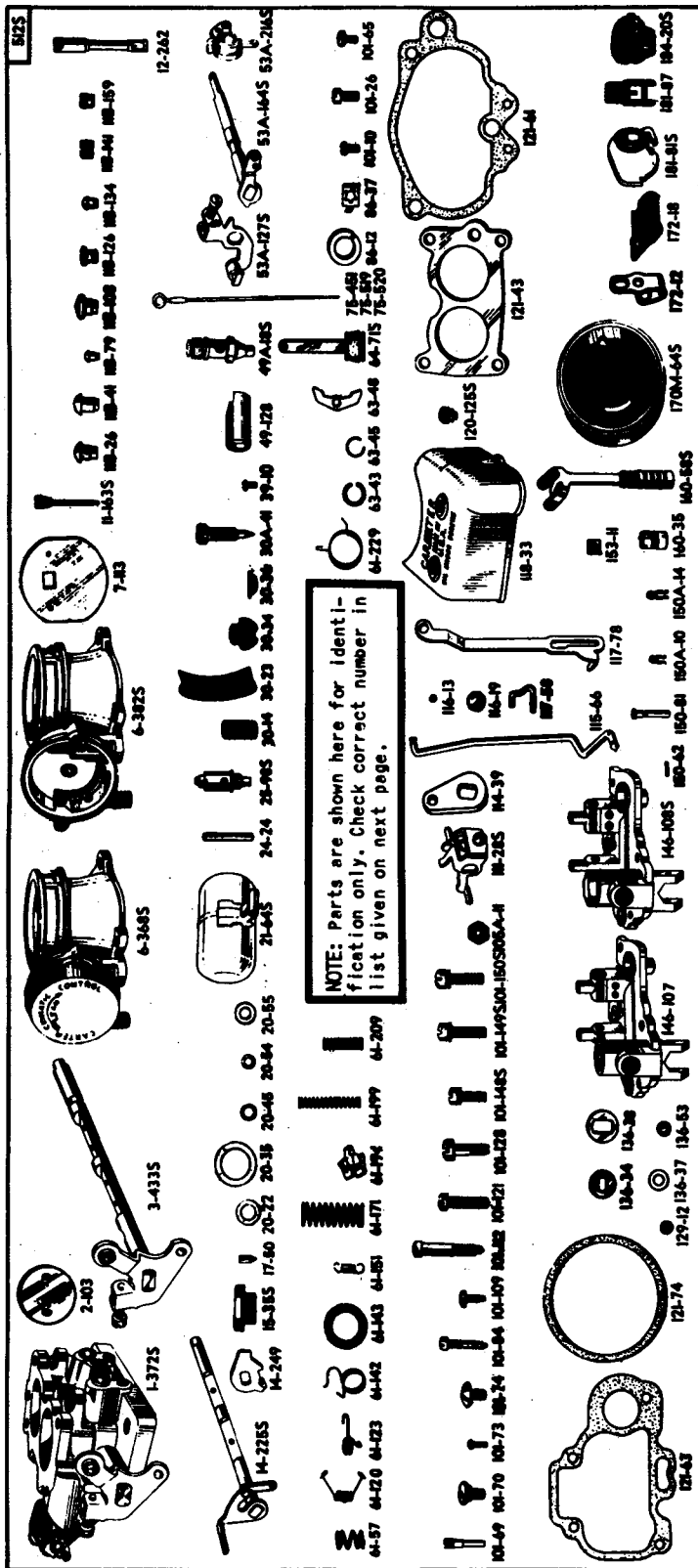
CARTER CARBURETOR
 MODELS 2000-10-20-30

DETAIL PARTS OF NO. 377734 CARBURETOR ASSEMBLY (CARTER)

FOR USE ON MODELS 2000-10-20-30

PART NO.	DESCRIPTION	PER CAR	PART NO.	DESCRIPTION	PER CAR
1-318S	Body flange & switch assy.	1	63-45	Ball retainer ring	1
1A-17	Flange gasket - 1-1/4" S.A.E.	1	63-48	Thermostat housing retainer	3
2-101	Throttle valve	1	64-55S	Plunger & rod assy.	1
3-447S	Throttle shaft & lever assy.	1	75-535	Metering rod - standard	1
6-345S	Air horn & piston housing assy.	1	75-536	Metering rod - one size lean	1
6-449S	Air horn & climatic control assy.	1	75-537	Metering rod - Two size lean	1
7-124	Choker valve	1	86-15	Flange stud lock washer	2
11-165S	Low speed jet assy.	1	86-37	Terminal lock washer	2
11B-12	Vacuum spark passage rivet plug	1	101-26	Coil housing attaching screw	3
11B-26	Starterator passage rivet plug	1	101-28	Throttle shaft arm clamp screw	1
11B-41	Nozzle passage rivet plug	1	101-78	Choker lever clamp screw	1
11B-42	Vacuum spark passage rivet plug	1	101-81	Fast idle cam screw	1
11B-79	Rivet plug	5	101-109	Switch terminal screw	2
11B-108	Idle port rivet plug	1	101-112	Terminal cap attaching screw	1
11B-117S	Idle plug & gasket assy.	1	101-120	Throttle lever adjusting screw	1
11B-119S	Ball retainer plug & gasket assy.	1	101-143S	Piston housing screw & washer assy.	1
11B-127S	Passage plug & gasket assy.	2	101-147S	Body flange screw & washer assy.	2
11B-141	Nozzle retainer plug	1	101-148S	Bowl cover screw & washer assy.	5
12-270	Nozzle	1	101-151S	Air horn screw & washer assy.	2
14-222S	Choke piston lever, link & shaft assy.	1	105A-13	Flange stud nut	2
14-298S	Choker lever, screw & link assy.	1	114-42S	Throttle shaft arm & screw assy.	1
15-35S	Strainer nut & gasket assy.	1	115-41	Throttle connector rod	1
20-22	*Needle seat & plug gasket	3	116-13	Ball	2
20-26	*Metering rod jet & plug gasket	3	116-19	Switch ball	1
20-35	Bowl strainer gasket	1	117-58	Pump connector link	1
20-45	Nozzle gasket	1	117-66S	Piston link & spring assy.	1
21-70S	Float & lever assy.	1	118-28	Dust cover	1
24-15	Float lever pin	1	120-15S	Metering rod jet & gasket assy. .1015" drill	1
25-42S	Needle & seat assy.	1	121-51	Air horn gasket	1
30-14	Bowl strainer gauze	1	121-58	Bowl cover gasket	1
30-23	Piston housing strainer	1	121-72	Body flange gasket	1
30-34	Pump strainer	1	121-74	Coil housing gasket	1
30-36	Switch strainer	1	129-15	Metering rod disk	1
30A-39	Idle adjustment screw	1	136-53	Return spring washer	1
39-10	Valve attaching screw	4	146-69	Bowl cover	1
48-61	Pump jet	1	146-88S	Bowl cover & strainer assy.	1
49-128	Switch plunger	1	150-62	Choke piston pin	1
53A-211S	Pump operating lever & countershaft assy. ..	1	150-92	Anti-percolator pin	1
53A-213S	Pump arm & collar assy.	1	150A-10	Pin spring	3
61-57	Adjustment screw spring	1	153-11	Switch contact spring shim (.018")	1
61-75	Metering rod spring	1	153-12	Switch contact spring shim (.006")	1
61-128	Connector rod spring	1	160-35	Choke piston	1
61-143	Plunger spring	1	160-67S	Vacuum piston & pin assy.	1
61-171	Pump spring	1	170-64S	Thermostatic coil & housing assy.	1
61-188	Rocker arm spring	1	172-12	Terminal cap hold down clip	1
61-194	Switch contact spring	1	172-19	Cable clip	1
61-209	Switch return spring	1	181-87	Switch guide block	1
61-228	Pump operating lever spring	1	181-105S	Fast idle cam & pin assy.	1
61-233	Vacuum piston spring	1	184-18S	Anti-percolator cap & rocker arm assy.	1
63-35	Spring retainer	1	184-20S	Terminal cap assy.	1
63-43	Switch strainer retainer ring	1	192-11U	Carter Starter switch unit	1

* Gaskets so marked must be soaked in 90 proof denatured 87 alcohol for 15 minutes, installed on part, and let dry before using.



CARTER CARBURETOR
 MODELS 2001-A-11-21

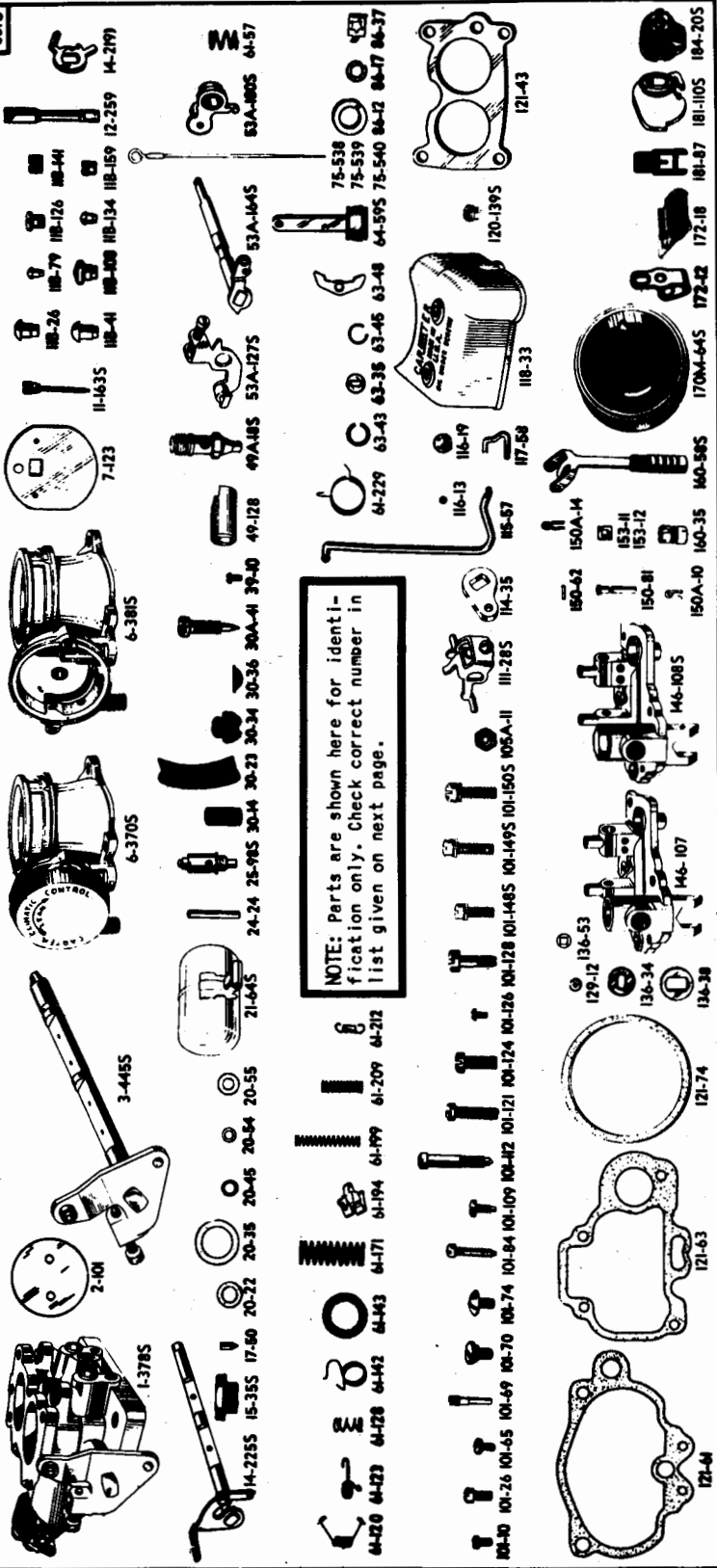
DETAIL PARTS OF NO. 377735 CARBURETOR ASSEMBLY (CARTER)

FOR USE ON MODELS 2001-1A-11-21

PART NO.	DESCRIPTION	PER CAR	PART NO.	DESCRIPTION	PER CAR
1-372S	Body flange and switch assembly	1	75-520	Metering rod - 2 sizes lean	2
2-103	Throttle valve	2	86-12	Flange stud lock washer	3
3-433S	Throttle shaft and lever assembly (Sup. by 3-454S)	1	86-17	Body flange attaching screw lockwasher	1
3-454S	Throttle shaft and lever assembly	1	86-37	Switch terminal lockwasher	2
6-368S	Air horn and climatic control assembly	1	101-10	Clamp screw	1
6-382S	Air horn and pump jet assembly	1	101-26	Coil housing attaching screw	2
7-113	Choker valve	1	101-65	Trip lever attaching screw	1
11-163S	Low speed jet assembly	2	101-69	Throttle centering screw	1
11B-26	Body flange rivet plug	2	101-70	Fast idle arm attaching screw	1
11B-41	Pump discharge rivet plug	1	101-73	Throttle valve attaching screw	4
11B-79	Rivet plug	5	101-74	Throttle shaft arm attaching screw	1
11B-108	Idle port rivet plug	2	101-84	Fast idle adjustment screw	1
11B-126	Nozzle passage plug	2	101-109	Switch terminal screw	2
11B-134	Rivet plug	2	101-112	Terminal cap attaching screw	1
11B-141	Nozzle retainer plug	2	101-121	Throttle lever adjustment screw	1
11B-159	By-pass bleeder screw plug	2	101-124	Body flange attaching screw	1
12-262	Nozzle	2	101-128	Air horn attaching screw (Special)	1
14-225S	Choker piston lever, link and shaft assembly	1	101-148S	Bowl cover attaching screw and washer assy.	6
14-249	Choker trip lever	1	101-149S	Body flange attaching screw and washer assy.	4
15-35S	Strainer nut and gasket assembly	1	101-150S	Air horn attaching screw and washer assy. .	2
17-50	Pump check needle	1	105A-11	Flange stud nut	3
20-22	*Needle seat gasket	1	111-28S	Anti-percolator arm and screw assembly	1
20-35	Bowl strainer gasket	1	114-39	Throttle shaft arm	1
20-45	Nozzle gasket	2	115-66	Throttle connector rod	1
20-54	*Metering rod jet gasket	2	116-13	Ball	1
20-55	Idle passage gasket	3	116-19	Switch ball	1
21-64S	Float and lever assembly	1	117-58	Pump arm link	1
24-24	Float lever pin	1	117-78	Fast idle connector link	1
25-98S	Needle and seat assembly	1	118-33	Dust cover	1
30-14	Bowl cover strainer gauze	1	120-125S	Metering rod jet and gasket assembly	2
30-23	Piston housing strainer	1	121-43	Body flange gasket	1
30-34	Pump strainer	1	121-61	Air horn gasket	1
30-36	Switch strainer	1	121-63	Bowl cover gasket	1
30A-41	Idle adjustment screw	2	121-74	Coil housing gasket	1
39-10	Valve attaching screw	2	129-12	Metering rod disk	2
49-128	Switch plunger	1	136-34	Choker shaft washer	1
49A-18S	Anti-percolator valve plug assembly	2	136-37	Connector rod washer	1
53A-127S	Fast idle arm, pin and screw assembly	1	136-38	Throttle shaft washer	1
53A-164S	Pump operating lever and countershaft assy.	1	136-53	Return spring washer	1
53A-216S	Pump arm and collar assembly	1	146-107	Bowl cover	1
61-57	Adjustment screw lock spring	2	146-108S	Bowl cover and strainer assembly	1
61-120	Metering rod spring	1	150-62	Choke piston pin	1
61-123	Connector link spring	1	150-81	Metering rod pin	1
61-142	Fast idle arm spring	1	150A-10	Pin spring	5
61-143	Plunger spring	1	150A-14	Countershaft pin spring	1
61-151	Pump arm spring	1	153-11	Switch contact spring shim (.018)	1
61-171	Pump spring	1	153-12	Switch contact spring shim (.006)	1
61-194	Switch contact spring	1	160-35	Choke piston	1
61-199	Vacuum piston spring	1	160-58S	Vacuum piston and link assembly	1
61-209	Switch return spring	1	170M64S	Thermostatic coil and housing assembly	1
61-229	Fast idle cam spring	1	172-12	Hold down clip (terminal cap)	1
63-43	Switch strainer retainer ring	1	172-18	Cable clip	1
63-45	Ball retainer ring	1	181-81S	Fast idle cam assembly (Sup. by 181-110S)	1
63-48	Housing retainer	2	181-110S	Fast idle cam assembly	1
64-71S	Pump plunger and rod assembly	1	181-87	Switch guide block	1
75-451	Metering rod - standard	2	184-20S	Terminal cap assembly	1
75-519	Metering rod - 1 size lean	2	192-11U	Carter starter switch unit	1

* Gaskets so marked must be soaked in 90 proof denatured 89 alcohol for 15 minutes, installed on part, and let dry before using

5315



CARTER CARBURETOR
MODEL 2003-3A-4-5-6-7-8-23-55

DETAIL PARTS OF NO. 37736 CARBURETOR ASSEMBLY (CARTER)

FOR USE ON MODELS 2003-3A-4-5-6-7-8-23-55

PART NO.	DESCRIPTION	PER CAR	PART NO.	DESCRIPTION	PER CAR
1-378S	Body flange & switch assy.	1	75-538	Metering rod - standard	2
2-101	Throttle valve	2	75-539	Metering rod - one size lean	2
3-445S	Throttle shaft & lever assy.	1	75-540	Metering rod - two size lean	2
6-370S	Air horn & climatic control assy.	1	86-12	Flange stud lock washer	4
6-381S	Air horn & pump jet assy.	1	86-17	Body flange lock washer	1
7-123	Choker valve	1	86-37	Terminal lock washer	2
11-163S	Low speed jet assy.	2	101-10	Clamp screw	1
11B-26	Body flange rivet plug	2	101-26	Coil housing attaching screw	2
11B-41	Pump discharge rivet plug	1	101-65	Choker shaft attaching screw	1
11B-79	Rivet Plug	5	101-69	Throttle centering screw	1
11B-108	Idle port rivet plug	2	101-70	Fast idle arm attaching screw	1
11B-126	Nozzle passage plug	2	101-74	Throttle shaft arm attaching screw	1
11B-134	Rivet plug	2	101-84	Fast idle adjustment screw	1
11B-141	Nozzle retainer plug	2	101-109	Switch terminal screw	2
11B-159	By-pass bleeder screw plug	2	101-112	Terminal cap attaching screw	1
12-259	Nozzle	2	101-121	Throttle lever adjustment screw	1
14-219	Choker trip lever	1	101-124	Body flange attaching screw	1
14-225S	Choker piston lever, link & shaft assy.	1	101-126	Throttle valve attaching screw	1
15-35S	Strainer nut & gasket assy.	1	101-128	Air horn attaching screw - special	1
17-50	Pump check needle	1	101-148S	Bowl cover screw & washer assy.	6
20-22	*Needle seat gasket	1	101-149S	Body flange screw & washer assy.	3
20-35	*Bowl strainer gasket	1	101-150S	Air horn screw & washer assy.	2
20-45	Nozzle gasket (upper)	2	105A-11	Flange stud nut	4
20-54	*Metering rod jet gasket	2	111-28S	Anti-percolator arm & screw assy.	1
20-55	Idle passage gasket	3	114-35	Throttle shaft arm	1
21-64S	Float & lever assy.	1	115-57	Throttle connector rod	1
24-24	Float lever pin	1	116-13	Pump check ball	1
25-98S	Needle & seat assy.	1	116-19	Switch ball	1
30-14	Bowl cover strainer gauze	1	117-58	Pump arm link	1
30-23	Piston housing strainer	1	118-33	Dust cover	1
30-34	Pump strainer	1	120-139S	Metering rod jet assy.	2
30-36	Switch strainer	1	121-43	Body flange gasket	1
30A-41	Idle adjustment screw	2	121-61	Air horn gasket	1
39-10	Choke valve attaching screw	2	121-63	Bowl cover gasket	1
49-128	Switch plunger	1	121-74	Coil housing gasket	1
49A-18S	Anti-percolator valve plug assy.	2	129-12	Metering rod disk	2
53A-127S	Fast idle arm, pin & screw assy.	1	136-34	Choker shaft washer	1
53A-164S	Pump operating lever & countershaft assy. ..	1	136-38	Throttle shaft washer	1
53A-180S	Pump arm & collar assy.	1	136-53	Return spring washer	1
61-57	Adjustment screw lock spring	2	146-107	Bowl cover	1
61-120	Metering rod spring	1	146-108S	Bowl cover & strainer assy.	1
61-123	Connector link spring	1	150-62	Choke piston pin	1
61-128	Connector rod spring	1	150-81	Metering rod pin	1
61-142	Fast idle arm spring	1	150A-10	Pin spring	4
61-143	Plunger spring	1	150A-14	Countershaft pin spring	1
61-171	Pump spring	1	153-11	Switch contact spring shim (.018)	1
61-194	Switch contact spring	1	153-12	Switch contact spring shim (.006)	1
61-199	Vacuum piston spring	1	160-35	Choke piston	1
61-209	Switch return spring	1	160-58S	Vacuum piston & link assy.	1
61-212	Pump arm spring	1	170M64S	Thermostatic coil & housing assy.	1
61-229	Fast idle cam spring	1	172-12	Terminal cap hold down clip	1
63-35	Spring retainer	1	172-18	Cable clip	1
63-43	Switch strainer retainer ring	1	181-110S	Fast idle cam assy.	1
63-45	Ball retainer ring	1	181-87	Switch guide block	1
63-48	Thermostat housing retainer	2	184-20S	Terminal cap assy.	1
64-59S	Pump plunger & rod assy.	1	192-11U	Carter starter switch unit	1

* Gaskets so marked must be soaked in 90 proof denatured alcohol for 15 minutes, installed on part and let dry before using.

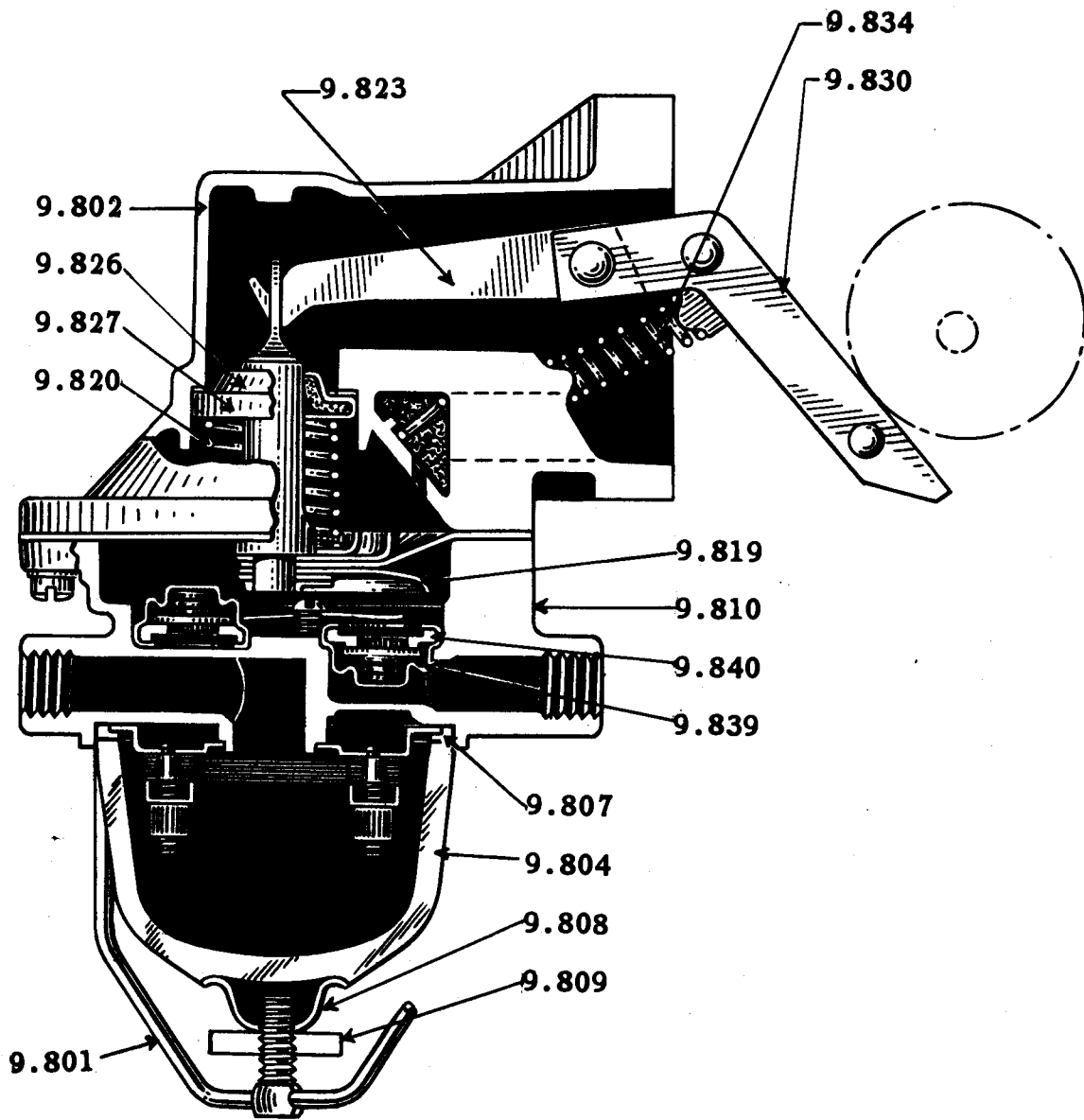
INDEX NO.	PART NO.	DESCRIPTION AND MODELS	PER CAR
CARBURETOR—Continued			
9.109		TUBE ASSEMBLY, Automatic choke (to manifold heat chamber cover) (Cont'd)	
	378703	(Not used with manifold having heat chamber cover) 2003-3A-4-5-23-55	1
	378516	(Not used with manifold having heat chamber cover) 2006-7-8	1
	382408	(Use with manifold having heat chamber cover) 2003-3A-4-5-6-7-8-23-55	1
	320456	Union Nut 20th Sr.	1
	320457	Union Sleeve 2000-1-1A-20-21	1
9.1115		SHIELD ASSEMBLY, Heat	
	378405	2003-3A-4-5-6-7-8-23-55	1
9.113		INSULATOR, Carburetor	
	302645	2001-1A-11-21	1
	341593	2003-3A-4-5-6-7-8-23-55	1
9.1135		REPAIR KIT, Carburetor	
	379698	2000-10-20	1
	373113	2001-1A-11-21	1
	379699	2003-3A-4-5-6-7-8-23-55	-
9.114		CONNECTING ROD ASSEMBLY, Throttle	
	377829	(LHD) 2001A-21	1
	#377830	(LHD) 2001A-21	1
	378317	(LHD) 2003A-4-5-7-8-23-55	1
	#378373	2003A-4-5-7-8-23-55	1
	377827	(LHD) 2020	1
	#348843	(LHD) 2020	1
	378418	(RHD) 2001A-21	1
	#378419	(RHD) 2001A-21	1
	378415	(RHD) 2020	1
	#348566	(RHD) 2020	1
9.1140		ROD, Throttle connecting	
	377828	(LHD) 2001A-21	1
	378316	2003A-4-5-7-8-23-55	1
	377826	(LHD) 2020	1
	378417	(RHD) 2001A-21	1
	378414	(RHD) 2020	1
	338753	Clip 2020	1
	4280	(50.240) Cotter pin 1/16 x 1/2	1
	190192	Spring washer	1
	3906	Washer 3/16	1
9.1165		YOKE END, Throttle connecting rod	
	7513	(50.560) 2001A-3A-4-5-7-8-20-1-3-55	1
	#335408	(50.560) (LHD) 2001A-20-1	1
	#335542	(50.560) 2003A-4-5-7-8-23-55	1
	354183	(50.560) (RHD) 2001A-20-1	1
	#335984	(50.560) (RHD) 2001A-20-1	1
	4280	(50.240) Cotter pin 1/16 x 1/2	1
	7003	(50.100) Nut #10-32	1
	7523	Pin 3/16	1
	190192	Spring washer (LHD)	2
9.1215		BRACKET, Carburetor throttle operating shaft	
	373286	2000-10	1
	6048	(50.230) Lockwasher 3/8 2000-10	2
	7866	(50.003) Screw 3/8-16 x 5/8 2000-10	2
	7758	(50.003) Screw 2000-10	2
9.125		LEVER ASSEMBLY, Carburetor throttle operating	
	*367797	2000-10-20	1
	*367796	2001-1A-3-3A-4-5-6-7-8-11-21-3-55	1
9.126		PIN, Carburetor throttle operating lever assembly	
	*371170	20th Sr.	1
	*4280	(50.240) Cotter Pin 1/16	1
9.127		ADJUSTING SCREW, Carburetor throttle operating lever	
	*371050	20th Sr.	1

INDEX NO.	PART NO.	DESCRIPTION AND MODELS	PER CAR
CARBURETOR—Continued			
9.128		SPRING, Carburetor throttle operating lever adjusting screw	
	*367478	20th Sr.	1
9.129		LOCK PLATE, Carburetor throttle operating lever adjusting screw	
	*371039	Lower 20th Sr.	1
	*371049	Upper 20th Sr.	1
9.130		LINK, Carburetor throttle operating lever	
	373079	2000-10	1
	*367256	2000-10-20	1
	*367254	2001-1A-11-21	1
	*367262	2003-3A-4-5-6-7-8-23-55	1
9.131		CLEVIS CLIP, Carburetor throttle operating lever link (rod end)	
	*338752	Left 2000-10-20	2
	*338753	Right 2001-1A-3-3A-4-5-6-7-8-11-21-3-55	1
9.132		ROD, Carburetor throttle operating lever	
	*373027	(Not used with Econo-Drive) 2000-10	1
	*378122	(Use with Econo-Drive) 2000-10	1
	*373073	(Not used with Econo-Drive) 2001-11	1
	*378119	(Use with Econo-Drive) 2001-11	1
	*367301	(Not used with Econo-Drive) 2001A-20-1	1
	*377785	(Use with Econo-Drive) 2001A-20-1	1
	*378127	2003-6	1
	*367231	(Not used with Econo-Drive) 2003A-4-5-7-8-23-55	1
	*377799	(Use with Econo-Drive) 2003A-4-5-7-8-23-55	1
	*4280	(50.240) Cotter pin 1/16	2
	*367303	Nut #10-32	1
	*7003	(50.100) Nut #10-32	1
	*190192	Spring Washer #10	1
	*3906	Washer #10	2
9.133		TURNBUCKLE, Carburetor throttle operating lever rod	
	*367312	(Not used with Econo-Drive) 20th Sr.	1
9.134		STOP PIN, Carburetor throttle operating lever	
	*367488	20th Sr.	1
9.135		ROD, Carburetor throttle operating	
	367313	(Long) 2000-10	1
	373085	(Short) 2000-10	1
	*367313	(Long) 2000-10-20	1
	*373085	(Short) 2000-10-20	1
	378638	(LHD) 2001-11	1
	*367283	2001-1A-11	1
	378142	2003-6	1
	*378142	2003-3A-4-5-7-8-23-55	1
	367283	(RHD) 2001-11	1
	*7003	(50.100) Nut #10-32 20th Sr.	1
	*7513	Yoke end	1
	*7523	Yoke end pin 3/16	1
9.136		BELL CRANK, Carburetor throttle operating rod	
	373004	Lower 2000-10	1
	367286	Upper 2000-10	1
	*367286	2000-10-20	1
	4280	(50.240) Cotter Pin 1/16 x 1/2	1
	*4280	(50.240) Cotter Pin 1/16	1
	373288	Pin	1
	194732	Spring Washer	1
	373083	Stud	1
	3907	Washer 1/4	1
9.137		SPRING, Carburetor throttle operating rod bell crank retracting	
	373390	2000-10	1
	*373390	2000-10-20	1

* Used with Electromatic Clutch
Used with Econo-Drive

INDEX NO.	PART NO.	DESCRIPTION AND MODELS	PER CAR	INDEX NO.	PART NO.	DESCRIPTION AND MODELS	PER CAR
CARBURETOR—Continued				FUEL PUMP—Continued			
9.138		CLEVIS CLIP, Carburetor throttle operating rod end		9.201		BUSHING, Fuel pump	
	338753	Right 2000-10	1		324771	20th Sr.	2
	*338753	Right (LHD) 2000-10-20	1	9.2017		ELBOW, Fuel pump	
	338752	Left 2000-10	1		327638	2000-1-1A-10-11-20-1	1
	*338752	Left 2000-1-3-6-10-11-20	1	9.203		GASKET, Fuel pump	
	338752	(Bell Crank End) 2000-10	1		327807	20th Sr.	1
	338753	(Carburetor End) 2000-10	1	9.2035		SHIELD ASSEMBLY, Heat	
9.139		SPRING, Carburetor throttle operating rod retracting			364639	(Not used on 2020 RHD) 2000-10-20	1
	*371026	2001-1A-3-3A-4-5-6-7-8-11-21-3	1		377343	2001-11	1
9.140		BRACKET, Carburetor throttle operating rod retracting spring			364640	LHD 2001A-21	1
	*371021	2001-1A-11-21	1		364641	LHD 2003-3A-4-5-6-7-8-23-55	1
	*377558	2003-3A-4-5-6-7-8-23-55	1		364689	RHD 2001A-21	1
9.141		TURNBUCKLE, Carburetor throttle operating rod			364690	RHD 2003A-4-5-7-8-23-55	1
	367312	2000-10	1		364642	RHD 2020	1
	*367312	(Not used with Econo-Drive) 2000-1-3-6-10-11-20	1	9.2036		BRACKET, Fuel pump heat shield (lower)	
	7003	(50.100) Nut #10-32 2000-10	1		364643	(Not used on RHD 2003A-4-5-7-8-55) 20th Sr.	1
9.142		SHAFT, Carburetor throttle operating			367174	RHD 2003A-4-5-7-8-55	1
	367280	2001-11	1		5500	(50.220) Lockwasher #10	2
	*367280	2001-1A-21	1		7146	(50.004) Screw #10-32 x 1/4	2
	367281	2003-6	1	9.205		WASHER, Insulator	
	*367281	2003-3A-4-5-6-7-8-23-55	1		324772	20th Sr.	2
	300693	Pin 2001-3-6-11	1	9.2053		CONNECTION, Outlet	
	*300693	Pin	1		6658	20th Sr.	1
	330344	Spring Washer 2001-2003-6-11	1	9.209		TUBE ASSEMBLY, To carburetor	
	*330344	Spring Washer	1		378153	2000-10-20	1
	3874	(50.200) Washer 5/16 2001-11	1		364664	2001-1A-11-21	1
	338405	Washer 2001-3-6-11	1		378408	2003-3A-4-5-6-7-8-23-55	1
	*338405	Washer	1		300614	Nut	2
	6228	Washer 5/16 2003-6	1	TANK			
9.143		BRACKET, Carburetor throttle operating shaft		9.300		TANK ASSEMBLY, Gasoline	
	367470	Right 2001-11	1		373579	2000-1-10-11	1
	371781	Left 2001-11	1		358017	2001A-3A-4-5-7-8-21-3-55	1
	367269	Right 2003-6	1		373580	2003-6-23	1
	377689	Left 2003-6	1		358016	2020	1
	*367470	2001-1A-21-11	1		364950	2030	1
	*367269	2003-3A-4-5-6-7-8-23-55	1		4564	Drain Plug 1/4-18	1
9.144		LEVER, Carburetor throttle operating shaft		9.3005		INLET ASSEMBLY, Gasoline tank	
	371018	Right 2001-3-6-11	1		373525	2000-1-10-11	1
	367259	Left 2001-11	1		356959	2001A-3A-4-5-7-8-20-1-3-55	1
	378380	Left 2003-6	1		373527	2003-6	1
	*367259	Inner 2001-1A-20-11	1		364951	2030	1
	*378145	Inner 2003-3A-4-5-6-7-8-23-55	1	9.302		CAP ASSEMBLY, Inlet	
	*371018	Outer 2001-1A-3-3A-4-5-6-7-8-11-21-3-55	1		379446	20th Sr.	1
	*5502	(50.220) Lockwasher	2		364881	2030	1
	300693	Pin 2001-3-6-11	2		8260	Rivet 2030	1
	*300693	Pin	2	9.304		RETAINER, Inlet cover	
	*7767	(50.003) Screw 1/4-20 x 5/8	2		303034	20th Sr.	1
FUEL PUMP				9.3055		WHISTLE ASSEMBLY, Inlet vent	
9.200		PUMP ASSEMBLY, Fuel (See Index 9.800 for detail parts)			371131	2000-1-3-6-10-11	1
	364678	2000-10-20	1		364720	2030	1
	348092	2001-1A-11-21	1	9.306		STRAP & ANTI-SQUEAK ASSEMBLY, Support - lower	
	378161	2003-3A-4-5-6-7-8-23-55	1		373471	2000-1-10-11	2
	120813	Lockwire (11" long)	1		315635	2001A-3A-4-5-7-8-21-3-30-55	2
	324791	Screw 3/8-16 x 1-3/4	2		371153	2003-6	2
	6781	Washer 3/8	1		315643	2020	2
9.2001		REPAIR KIT, Fuel pump		9.307		ANTI-SQUEAK, Support strap	
	351072	2000-10-20	1		303347	2000-1-1A-3A-4-5-7-8-10-11-20-1-3-55	2
	351074	2001-1A-11-21	1		373362	2003-6	2
	98735	2003-3A-4-5-6-7-8-23-55	1	9.308		TEE BOLT, Support	
					300997	20th Sr.	2

* Used with Electromatic Clutch



FUEL PUMP

INDEX NO.	PART NO.	DESCRIPTION AND MODELS	PER CAR
TANK—Continued			
9.308	TEE BOLT, Support (Cont'd)		
	5506 (50.220) Lockwasher 3/8	2
	7006 (50.100) Nut 3/8-24	2
9.309	LINER, To frame		
	326755 20th Sr.	2

TUBING

9.400	TUBE ASSEMBLY, Gasoline		
	373825 2000-10	1
	373823 2001-11	1
	358235 2001A	1
	373824 (LHD) 2003-6	1
	358237 2003A	1
	358233 2020	1
	358234 2021	1
	358238 Front 2004-7	1
	358239 Front 2005-8-55	1
	358236 Front 2023	1
	364694 Rear 2004-5-7-8-23-55	1
	364693 2030	1
	373502 Connection (frame) 2000-10	1
	378901 Connection (frame) 2001-11	1
	379006 Connection (frame) 2003-6	1
	6658 Connector 2000-1-3-6-10-11	1
	300614 Nut (5/16 flared tube) 20th Sr.	x
	225465 Nut (5/16 flared tube) 20th Sr.	1
	304711 Screw 5/16-18 x 1/2 2000-1-3-6-10-11	1
	364713 Union (5/16 flared tube-inverted) 2004-5-7-8-23-55	1
9.406	HOSE ASSEMBLY, Tube fuel pump inlet		
	367197 20th Sr.	1

A C FUEL PUMP

9.800	AIR DOME		
	AC-1523319 2001-1A-3-3A-4-5-6-7-8-11-21-3-55	1
9.801	BAIL & SCREW		
	AC-1523231 2000-10-20	x
9.802	BODY & OIL SEAL ASSEMBLY, (Fuel)		
	AC-1537066 2000-10-20	x
	AC-1537072 2001-1A-3-3A-4-5-6-7-8-11-21-3-55	x
9.804	BOWL, (Fuel)		
	AC-1537065 2000-10-20	x
	AC-1523130 (Metal) 2001-1A-3-3A-4-5-6-7-8-11-21-3-55	x
9.805	SCREW, Bowl retaining		
	AC-1523131 2001-1A-3-3A-4-5-6-7-8-11-21-3-55	x
9.806	GASKET, Bowl retaining screw		
	AC-851644 2001-1A-3-3A-4-5-6-7-8-11-21-3	x
9.807	BOWL GASKET, (Fuel)		
	AC-1523096 2000-10-20	x
	AC-1523128 2001-1A-3-3A-4-5-6-7-8-11-21-3-55	x
9.808	BOWL SEAT		
	AC-854005 2000-10-20	x
9.809	BOWL THUMB NUT		
	AC-855763 2000-10-20	x
9.810	COVER, (Fuel)		
	AC-1523650 2000-10-20	x
	AC-1523945 2001-1A-3-3A-4-5-6-7-8-11-21-3-55	x
9.811	SCREW, (Cover & body)		
	AC-855493 2001-1A-3-3A-4-5-6-7-8-11-21-3-55	x
9.812	GASKET, (Cover & body screw)		
	AC-855064 2001-1A-3-3A-4-5-6-7-8-11-21-1-3-55	x

INDEX NO.	PART NO.	DESCRIPTION AND MODELS	PER CAR
A. C. FUEL PUMP—Continued			
9.817	CURLED HAIR		
	AC-1521553 20th Sr.	x
9.818	CURLED HAIR RETAINER, (Fuel)		
	AC-1523887 20th Sr.	x
9.819	DIAPHRAGM ASSEMBLY		
	AC-1523672 2000-10-20	x
	AC-1523132 (Fuel) 2001-1A-3-3A-4-5-6-7-8-11-21-3-55	x
9.820	DIAPHRAGM SPRING		
	AC-1523124 (Fuel) 20th Sr.	x
9.821	DIAPHRAGM SPRING RETAINER		
	AC-1523259 20th Sr.	x
9.823	LINK		
	AC-1523655 (Fuel) 2000-10-20	x
	AC-1522077 2001-1A-3-3A-4-5-6-7-8-11-21-3-55	x
9.824	LINK SPACER		
	AC-1523121 2001-1A-3-3A-4-5-6-7-8-11-21-3-55	x
9.826	OIL SEAL		
	AC-1523122 (Fuel) 20th Sr.	x
9.827	OIL SEAL GASKET, (Fuel)		
	AC-1523120 20th Sr.	x
9.830	ROCKER ARM		
	AC-1537062 2000-10-20	x
	AC-1537071 2001-1A-3-3A-4-5-6-7-8-11-21-3-55	x
9.831	ROCKER ARM PIN		
	AC-1522023 20th Sr.	x
9.832	ROCKER ARM PIN BUSHING		
	AC-1523221 2000-10-20	x
9.833	ROCKER ARM PIN WASHER		
	AC-1521288 20th Sr.	x
9.834	ROCKER ARM SPRING		
	AC-1523118 20th Sr.	x
9.835	SCREEN		
	AC-1537186 (Fuel) 2000-10-20	x
	AC-1537193 (Fuel) 2001-1A-3-3A-4-5-6-7-8-11-21-3-55	x
9.837	STRAINER		
	AC-1523319 2001-1A-3-3A-4-5-6-7-8-11-21-3-55	x
9.839	VALVE & CAGE ASSEMBLY, (Fuel)		
	AC-1523106 20th Sr.	x
9.840	VALVE & CAGE GASKET, (Fuel)		
	AC-1521953 20th Sr.	x
9.847	VALVE STOP PLATE, (Vacuum)		
	AC-1523664 20th Sr.	x
9.848	SCREW, Valve stop plate (Vacuum)		
	AC-132900 20th Sr.	x

INDEX NO.	PART NO.	DESCRIPTION AND MODELS	PER CAR
-----------	----------	------------------------	---------

INDEX NO.	PART NO.	DESCRIPTION AND MODELS	PER CAR
-----------	----------	------------------------	---------

PANELS

PANELS—Continued

NOTE: - To find

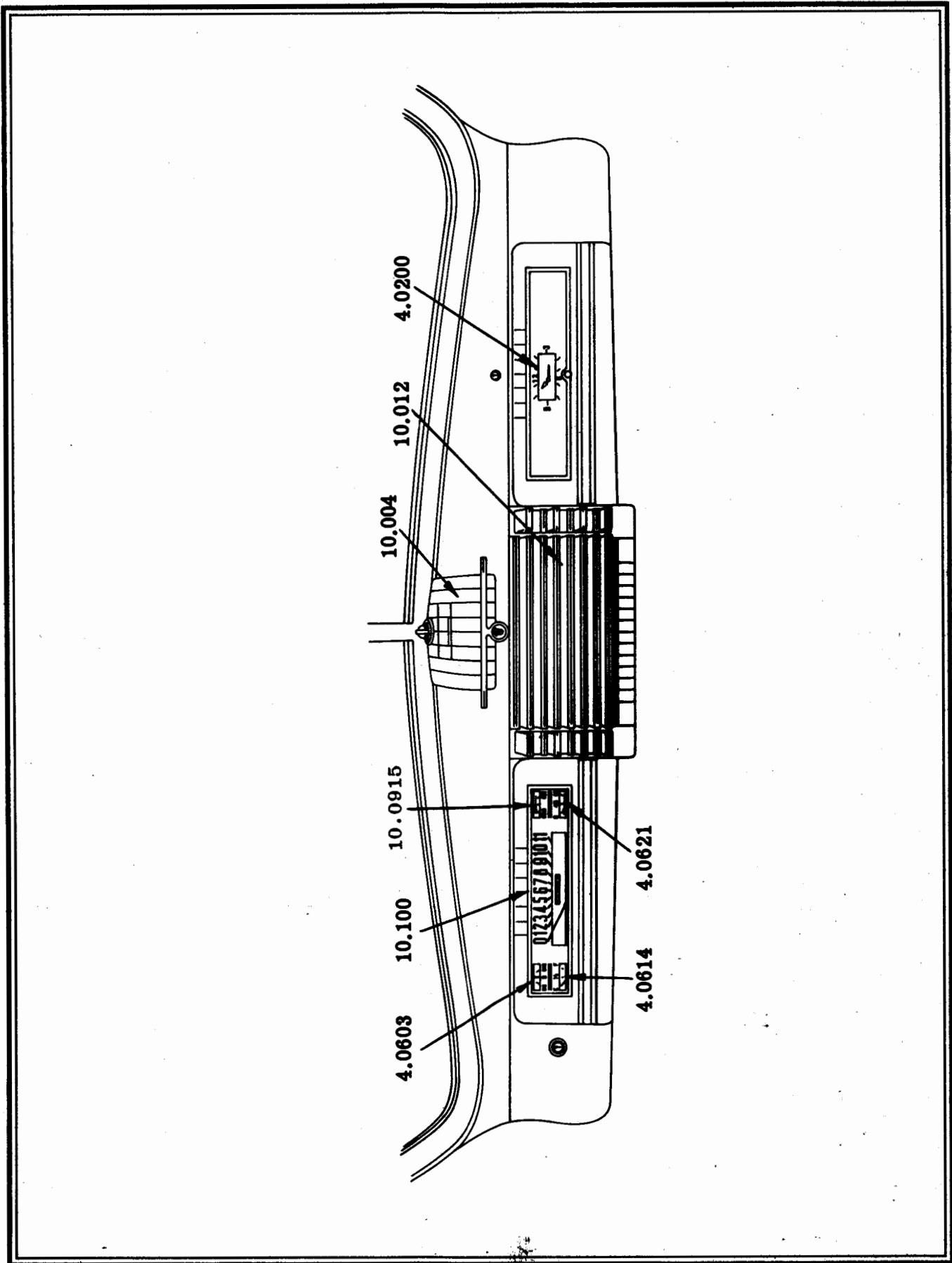
- Ammeter..... See Index 4.0603
- Bulbs See Index 4.06155
- Cigar Lighter See Index 4.0104
- Clock See Index 4.0200
- Econo-Drive Lockout
- Cable See Index 3.404
- Electromatic Clutch
- Switch See Index 4.0560
- Gas Gauge See Index 4.0614
- Ignition Switch See Index 4.1205
- Lamp (Front) Switch ... See Index 4.1335
- Oil Gauge See Index 4.0621
- Reading Light Switch .. See Index 4.1509
- Speedometer Bulb See Index 4.1700
- Temperature Gauge See Index 10.0915

10.000 INSTRUMENT BOARD ASSEMBLY, (Less gauges - mouldings - Com't door & etc.)

375428	LHD 2000-1	1	
375091	LHD 2003	1	
374361	LHD 2004-5-55	1	
375419	LHD 2006	1	
359127	LHD (Use on 1532-42-51) 2007-8	1	
366194	LHD (Use on 1550) 2008	1	
375090	LHD 2010-11	1	
363796	LHD (Black) 2020-1-3	1	
363793	LHD (Gray) 2020-1-3	1	
363795	LHD (Green) 2020-1-3-30	1	
363797	LHD (Tan) 2020-1-3	1	
375429	RHD 2000-1	1	
374587	RHD 2004-5-55	1	
359855	RHD (Not used on 1550) 2007-8	1	
366195	RHD (Use on 1550) 2008	1	
375337	RHD 2010-11	1	
363803	RHD (Tan) 2020-1-3	1	
363799	RHD (Blue Gray) 2020-1-3	1	
363801	RHD (Green Gray) 2020-1-3	1	
363802	RHD (Black) 2020-1-3	1	
7612	(50.050) Bolt 1/4-28 x 3/4 2004-5-7-8-20-1-3-30-55	2	
5502	(50.220) Lockwasher 1/4 2004-5-7-8-20-1-3-30-55	2	
7004	(50.100) Nut 1/4-28 2004-5-7-8-20-1-3-30-55	2	
6620	(50.300) Screw #10 x 1/2 tapping 2030	7	
7649	(50.300) Screw #8 x 3/8 2004-5-7-8-20-1-3-30-55	13	
7319	(50.200) Washer 1/4 2004-5-7-8-20-1-3-30-55	2	
10.001 ASH RECEIVER ASSEMBLY, Instrument board			
371538	(Brown) 2000-1	1	
377885	2001A-3A-4-5-55	1	
378088	(Gray) 2003-6	1	
377886	2004-5-55	1	
378087	(Blue) 2010-11	1	
362909	(Green) 2020-21-23-30	1	
358681	(Blue) 2020-21-23	1	
362959	(Maroon) 2020-21-23	1	
10.003 SPRING, Ash tray catch			
373011	20th Sr.	1	
10.004 COVER, Ash tray			
371388	(Brown) 2000-1	1	
377466	(Gray) 2001A-3A-4-5-55	1	
377855	(Gray) 2003-6	1	
377857	(Brown) 2004-5-55	1	
377854	(Blue) 2010-11	1	
378226	(Brown) 2020-1-3	1	
358576	(Blue) 2020-1-3	1	
362907	(Green) 2020-1-3-30	1	
362960	(Maroon) 2020-1-3	1	

10.0105 SUPPORT, Ash tray & reading light			
371560	(Brown) 2000-1	1	
377956	(Gray) 2001A-3A-4-5-55	1	
377972	(Gray) 2003-6	1	
377465	(Brown) 2007-8	1	
377971	(Blue) 2010-11	1	
378194	(Brown) 2020-1-3	1	
358523	(Blue) 2020-1-3	1	
362905	(Green) 2020-1-3	1	
362985	(Maroon) 2020-1-3	1	
10.0106 MOULDING, Ash tray & reading light support			
371542	(Chrome) 2000-1-3-6-10-11	1	
379852	(Macoid) 2000-1-3-6-10-11	1	
358626	2001A-3A-4-5-7-8-20-1-3-55	1	
372701	Clip 2000-1-10-11-23	2	
5695	(50.220) Lockwasher 2000-1-3-6-10-11	2	
7432	(50.000) Screw #8-32 x 3/8 2000-1-3-6-10-11	2	
6387	(50.000) Washer 3/16 2000-1-3-6-10-11	2	
10.0107 MEDALLION, Ash tray support moulding			
371713	2000-1-3-6-10-11	1	
10.0108 PLATE, Ash tray support moulding background			
371714	2000-1-3-6-10-11	1	
371715	Nut	1	
10.011 SNUFFER ASSEMBLY, Ash tray			
373010	20th Sr.	1	
10.0110 HANDLE, Instrument board bonnet lock			
372503	(Less knob) 2000-1-3-6-10-11	2	
10.0112 BRACKET ASSEMBLY, Instrument board bonnet lock handle			
372608	Right 2000-1-3-6-10-11	1	
372609	Left 2000-1-3-6-10-11	1	
5504	(50.220) Lockwasher 1/4	2	
5447	(50.230) Lockwasher 1/4	4	
7854	(50.003) Screw 1/4-20 x 1/2	2	
376118	Screw 1/4-20 x 1/2	4	
10.0114 KNOB, Instrument board bonnet lock handle			
372850	(Brown) 2000-1	2	
374218	(Gray) 2003-6	2	
375049	(Blue) 2010-11	2	
10.0116 LINK, Instrument board bonnet lock handle link dash			
376066	Right 2000-1-3-6-10-11	1	
376067	Left 2000-1-3-6-10-11	1	
10.0117 GROMMET, Instrument board bonnet lock handle link dash			
372536	2000-1-3-6-10-11	2	
372005	Washer	2	
10.0118 PIN, Instrument board bonnet lock handle			
372642	(To bracket) 2000-1-3-6-10-11	2	
372602	(Spacer to link) 2000-1-3-6-10-11	2	
372603	(Spacer to bracket) 2000-1-3-6-10-11	2	
372643	(To link) 2000-1-3-6-10-11	2	
207750	(50.242) Spring washer	x	
10.012 PANEL ASSEMBLY, Center			
371539	(Chrome) 2000-1-3-6-10-11	1	
379844	(Macoid) 2000-1-3-6-10-11	1	
377889	(Gray) 2001A	1	
378253	(Gray) 2003A-4-5-7	1	
377890	(Brown) 2007-8	1	
362956	(Blue) 2020-1	1	
378076	(Brown) 2020-21	1	
362958	(Green) 2020-1-30	1	
362962	(Maroon) 2020-1	1	

▲ Used on Clipper Four Door Sedans built after Jan. 1, 1942 only. All other body types have chrome trim.



INSTRUMENT BOARD PARTS

INDEX NO.	PART NO.	DESCRIPTION AND MODELS	PER CAR
PANELS—Continued			
10.012	PANEL ASSEMBLY, Center (Cont'd)		
	358894	(Blue) 2023	1
	378252	(Brown) 2023	1
	362914	(Green) 2023	1
	362915	(Maroon) 2023	1
	377889	(Gray) 2055	1
	5502	(50.220) Lockwasher 1/4 split 2000-1-3-6-10-11	4
	3516	(50.220) Lockwasher #6 2003A-4-5-7-8-2023 ..	2
	5695	(50.220) Lockwasher #8 2001A-4-5-7-8-20-1-3-55	x
	7002	(50.100) Nut #8-32 plain 2001A-3A-4-5-7-8-20-1-3-55	x
	7796	(50.003) Screw 1/4-20 x 9/16 2000-1-3-6 ...	4
	7646	(50.300) Screw #6 x 14 tapping 2001A-3A-4-5-7-8-20-1-3	3
	7502	(50.000) Screw #6-32 x 3/8 2003A-4-5-7-8-20-23-55	2
	7319	(50.200) Washer 1/4 plain 2000-1-3-6-10-11 ..	4
	6387	(50.200) Washer #8 2001A-3A-4-5-7-8-20-1-3-55	x
	7328	(50.200) Washer #6 2003A-4-5-7-8-23	2
10.0154	GRILLE, Center panel		
	358851	2003A-4-5-7-8-23	1
	377889	2055	1
10.0155	RETAINER STRIP, Center panel grille		
	358896	2003A-4-5-7-8-2023	1
	3516	(50.220) Lockwasher #6 split	2
	7413	(50.000) Screw #6 x 14	2
10.0173	MOUNTING PLATE, Center panel		
	377894	(Gray) 2001A-3A-4-5-55	1
	377893	(Brown) 2007-8	1
	362933	(Blue) 2020-1-3	1
	378077	(Brown) 2020-1-3	1
	362935	(Green) 2020-1-3-30	1
	362963	(Maroon) 2020-1-3	1
	8261	(50.400) Rivet 9/64 x 1/4	3
10.0174	SCREEN, Center panel		
	358856	2001A-20-21-55	1
	358858	2003A-4-5-7-8-23	1
	348495	Nut 2001A-20-21-55	4
10.0175	TRIM BAR, Center panel		
	358860	Right 2001A-20-23-55	1
	358861	Left 2001A-20-21-55	1
10.021	COMPARTMENT, Instrument board		
	375073	(LHD) 2000-1-3-10-11	1
	359294	(LHD) 2004-5-7-8-23	1
	375072	(LHD) 2006	1
	359245	(LHD) 2020-1-30-55	1
	375333	(RHD) 2000-1-10-11	1
	363033	(RHD) 2004-5-7-8-23-55	1
	363032	(RHD) 2020-21	1
	370268	(50.150) Acorn Nut #10-24 2000-1-3-6-10-11 ..	2
	8068	(50.000) Screw #10-24 x 7/16 2000-1-3-6-10-11	2
	7140	(50.300) Screw #10 x 1/2 2000-1-3-6-10-11 ..	4
	7330	(50.200) Washer #10 2000-1-3-6-10-11	2
10.022	DOOR, Compartment		
	375074	(Chrome trim) LHD (Less medallion) 2000-1 ..	1
	375827	(Paint trim) LHD (Less clock) 2000-1-10-11 ..	1
	374373	LHD (Less clock) (Supersedes 374746) 2001A ..	1
	375076	(Chrome trim) LHD (Less clock) 2003	1
	375828	(Paint trim) LHD (Less clock) 2003	1
	374542	LHD (Less clock) 2004-5	1
	375417	(Chrome trim) LHD (Less clock) 2006	1
	375830	(Paint trim) LHD (Less clock) 2006	1
	374556	LHD (Less clock) 2007-8	1

INDEX NO.	PART NO.	DESCRIPTION AND MODELS	PER CAR
PANELS—Continued			
10.022	DOOR, Compartment (Cont'd)		
	375075	(Chrome trim) LHD (Less clock) 2010-11	1
	374564	LHD (Less clock) (Black & Maroon) 2020-1 ..	1
	359862	LHD (Less clock) (Blue) 2020-1	1
	374558	LHD (Less clock) (Brown) 2020-1	1
	363340	LHD (Less clock) (Green) 2020-1	1
	363348	LHD (Less clock) (Tan & Maroon) 2020-1	1
	374562	LHD (Less clock) (Black & Maroon) 2023	1
	359872	LHD (Less clock) (Blue) 2023	1
	374560	LHD (Less clock) (Brown) 2023	1
	363562	LHD (Less clock) (Green) 2023	1
	363358	LHD (Less clock) (Tan & Maroon) 2023	1
	375479	2030	1
	374373	LHD (Less clock) (Gray tenite) 2055	1
	375335	RHD (Less clock) 2000-1	1
	374571	RHD (Less clock) 2004-5-55	1
	374557	RHD (Less clock) 2007-8	1
	375334	RHD (Less clock) 2010-11	1
	374559	RHD (Less clock) (Tan & Brown) 2020-21	1
	363349	RHD (Less clock) (Tan & Maroon) 2020-21 ...	1
	374565	RHD (Less clock) (Black & Maroon) 2020-21 ..	1
	359863	RHD (Less clock) (Blue Gray & Blue) 2020-21 ..	1
	363341	RHD (Less clock) (Green Gray & Green) 2020-21	1
	359873	RHD (Less clock) (Blue Gray & Blue) 2023 ..	1
	363359	RHD (Less clock) (Tan & Maroon) 2023	1
	374561	RHD (Less clock) (Tan & Brown) 2023	1
	374563	RHD (Less clock) (Black & Maroon) 2023	1
	363563	RHD (Less clock) (Green Gray & Green) 2023 ..	1
10.023	ANTI-RATTLER, Compartment door		
	375077	(Upper) 2000-1-3-6-10-11	2
	328537	(Lower) 2000-1-3-6-10-11	2
	359814	2004-5-7-8-20-1-3-30-55	2
10.0264	CHECK STRAP, Compartment door		
	359810	2004-5-7-8-20-1-3-30-55	1
	7500	(50.001) Screw #8-32 x 5/16	2
10.0265	STOP, Compartment door check strap		
	359812	2004-5-7-8-20-1-3-30-55	2
10.0266	BUMPER, Compartment door check strap stop		
	359813	2004-5-7-8-20-1-3-30-55	1
	326583	(50.400) Rivet 1/8 x 9/32	2
10.0267	SPRING, Compartment door check strap stop		
	359811	2004-5-7-8-20-1-3-30-55	1
10.0268	PLUG, Instrument board compartment door clock hole		
	374675	2030	1
	369058	2055	1
10.0269	CLIP, Instrument board compartment door clock hole plug		
	369547	2030-55	2
10.028	HINGE, Compartment door		
	372258	LHD 2000-1-3-6-10-11	1
	359738	2004-5-7-8-20-1-3-55	2
	380421	RHD 2000-1-10-11	1
	6472	Lockwasher #8 2000-1-3-6-10-11	4
	5491	(50.230) Lockwasher #10 C'sunk 2004-5-7-8-20-1-3-30-55	4
	7002	Nut #8-32 2000-1-3-6-10-11	4
	359895	(50.400) Rivet 2004-5-7-8-20-1-3-30-55	x
	372971	Screw #8-32 x 3/8 2000-1-3-6-10-11	3
	376351	Screw #8-32 x 3/8 2000-1-3-6-10-11	4
	380419	Screw #10-32 x 3/8 2000-1-3-6-10-11	4
	7452	(50.001) Screw #10-32 x 5/16 2004-5-7-8-20-1-3-30-55	4
	7732	(50.300) Screw #8 x 5/8 2004-5-7-8-20-1-3-30-55	2

▲ Used on Clipper Four Door Sedans built after Jan. 1, 1942 only. All other body types have chrome trim.

INDEX NO.	PART NO.	DESCRIPTION AND MODELS	PER CAR	INDEX NO.	PART NO.	DESCRIPTION AND MODELS	PER CAR
PANELS—Continued				PANELS—Continued			
10.0305		KEY, Compartment door lock		10.0483		KNOB, Instrument board control (See 4.0104 for Cigar Lighter - 4.0566 for Electromatic Clutch 4.1337 for Headlight - 4.06208 for Instrument Cluster - 4.1513 for Map Light)	
	229255	20th Sr.	2		373195	(Chrome) (Defroster) 2000-1-3-6-10-11	1
10.03055		LOCK ASSEMBLY, Compartment door			▲379856	(Paint) (Defroster) 2000-1-3-6-10-11	1
	349422	2000-1-3-6-10-11	1		377706	(Chrome) (Fresh Air Intake) 2000-1-3-6-10-11	1
	359779	2004-5-7-8-20-1-3-30-55	1		▲379857	(Paint) (Fresh Air Intake) 2000-1-3-6-10-11	1
10.032		CUP, Compartment door lock			373196	(Chrome) (Heater) 2000-1-3-6-10-11	1
	375085	2000-1-3-6-10-11	1		▲379859	(Paint) (Heater) 2000-1-3-6-10-11	1
	359780	2004-5-7-8-20-1-3-30-55	1		371415	Screw	1
	3516	(50.220) Lockwasher #6	1				
	7397	(50.000) Screw #6-32 x 5/16 Rnd. Hd.	1	10.054		BEZEL, Instrument cluster	
10.035		STRIKER, Compartment door lock			379792	2000-1-3-6-10-11	1
	380270	(Supersedes 375086) 2000-1-3-6-10-11	1	10.0546		DIAL, Instrument cluster	
	5500	(50.220) Lockwasher #10	1		379794	2000-1-3-6-10-11	1
	5772	(50.000) Screw #10-32 x 3/8	1		358890	(MPH) 2001A-3A-4-5-7-8-23-55	1
10.0351		REINFORCEMENT, Compartment door lock striker			358887	(MPH) 2020-1	1
	375480	2000-1-3-6-10-11	1		358900	(KPH) 2020-1	1
	375458	Screw #8-32 x 3/8	2		358909	(KPH) 2001A-3A-4-5-7-8-23-55	1
	6387	(50.200) Washer #8	2	10.0548		SOCKET ASSEMBLY, Cluster direction signal indicator light	
10.0352		MOULDING, Instrument board compartment door			377731	LHD (Right) 2004-5-7-8-20-1-3-55	1
	375087	(Chrome) 2000-1-3-6-10-11	1		377730	LHD (Left) 2004-5-7-8-20-1-3-55	1
	▲379847	(Macoid) 2000-1-3-6-10-11	1	10.0575		RETAINER, Instrument cluster	
	375228	RHD (Chrome) 2000-1-10-11	1		379793	(Brown) 2000-1	1
	▲379848	RHD (Macoid) 2000-1-10-11	1		379795	(Gray) 2003-6	1
	6056	(50.230) Lockwasher #10	2		379796	(Blue) 2010-11	1
	375342	Screw	2	10.058		PANEL ASSEMBLY, Instrument cluster (Less instruments)	
10.036		PLATE, Compartment door striker			377647	LHD 2000-1-10-11	1
	359739	2004-5-7-8-20-1-3-30-55	1		377944	LHD (Gray) 2001A-55	1
	6056	(50.230) Lockwasher #10 external	1		*378148	LHD (Gray) 2001A	1
	7411	(50.000) Screw #10-32 x 5/16	2		377651	LHD 2003	1
10.038		MEDALLION ASSEMBLY, Compartment door			377903	LHD (Gray) 2003A-4-5	1
	375098	(Brown) 2000-1	1		*378133	LHD (Gray) 2003A-4-5	1
	382376	(Gray) 2003-6	1		379142	LHD 2006	1
	382375	(Blue) 2010-11	1		377904	LHD (Brown) 2007-8	1
10.0425		TRIM BAND, Compartment door			*378134	LHD (Brown) 2007-8	1
	374544	2003A-4-5-55	1		378299	LHD (Blue) 2020-1	1
	374589	(Brown) 2007-8	1		*378137	LHD (Blue) 2020-1	1
	358881	(Blue) 2023	1		378191	LHD (Brown) 2020-1	1
	374588	(Brown) 2023	1		*378135	LHD (Brown) 2020-1	1
	362931	(Green) 2023	1		378300	LHD (Green) 2020-1-30	1
	362932	(Maroon) 2023	1		*378138	LHD (Green) 2020-1	1
10.0445		TRIM PANEL, Compartment door			378192	LHD (Maroon Plastic - Black Paint) 2020-1 ..	1
	374376	LHD 2001A-55	1		*378139	LHD (Maroon Plastic - Black Paint) 2020-1 ..	1
	374545	LHD 2003A-4-5	1		378301	LHD (Maroon Plastic - Brown Paint) 2020-1 ..	1
	374566	2007-8	1		*378136	LHD (Maroon Plastic - Brown Paint) 2020-1 ..	1
	359882	LHD (Blue) 2020-1	1		378263	LHD (Blue) 2023	1
	374572	LHD (Brown) 2020-1	1		*378130	LHD (Blue) 2023	1
	363334	LHD (Green) 2020-1-30	1		378262	LHD (Brown) 2023	1
	363338	LHD (Maroon) 2020-1	1		*378128	LHD (Brown) 2023	1
	359886	LHD (Blue) 2023	1		378264	LHD (Green) 2023	1
	374568	LHD (Brown) 2023	1		*378131	LHD (Green) 2023	1
	359888	LHD (Green) 2023	1		378266	LHD (Maroon Plastic - Black Paint) 2023	1
	363354	LHD (Maroon) 2023	1		*378132	LHD (Maroon plastic - Black Paint) 2023	1
	374570	RHD 2004-5	1		378265	LHD (Maroon Plastic - Brown Paint) 2023	1
	374567	RHD 2007-8	1		*378129	LHD (Maroon plastic - Brown Paint) 2023	1
	363339	RHD (Maroon) 2020-21	1		377648	RHD 2000-1-10-11	1
	359883	RHD (Blue) 2020-21	1		377908	RHD (Gray) 2001A	1
	374573	RHD (Brown) 2020-21	1		378506	RHD (Blue) 2020-1	1
	363335	RHD (Green) 2020-21	1		378505	RHD (Brown) 2020-1	1
	359887	RHD (Blue) 2023	1		378507	RHD (Green) 2020-1	1
	363355	RHD (Green) 2023	1		378509	RHD (Maroon Plastic - Black Paint) 2020-1 ..	1
	374569	RHD (Brown) 2023	1		378508	RHD (Maroon Plastic - Brown Paint) 2020-1 ..	1
	359889	RHD (Green) 2023	1		378272	RHD (Blue) 2023	1
					378271	RHD (Brown) 2023	1
					378273	RHD (Green) 2023	1

▲ Used on Clipper Four Door Sedans built after Jan. 1, 1942 only. All other body types have chrome trim.
 * Used with Electromatic Clutch.

INSTRUMENT BOARD

INDEX NO.	PART NO.	DESCRIPTION AND MODELS	PER CAR
PANELS—Continued			
10.058		PANEL ASSEMBLY, Instrument cluster (Less instruments) (Cont'd)	
	378275	RHD (Maroon Plastic - Black Paint) 2023 ...	1
	378274	RHD (Maroon Plastic - Brown Paint) 2023 ...	1
	377872	2055	1
	372963	Screw 5/16-24 x 7/8 2000-1-3-6-10-11	2
	376052	Screw 2000-1-3-6-10-11	7
	372971	Screw #8-32 x 3/8 2000-1-3-6-10-11	2
	7437	(50.000) Screw #10-32 x 5/16 2001A-3A-4-5-7-8-20-1-3-55	4
	370476	Clinch-on Nut 2000-1-3-6-10-11	2
	6044	(50.230) Lockwasher 5/16 2000-1-3-6-10-11	2
	5500	(50.220) Lockwasher #10 2001A-3A-4-5-7-8-20-1-3-55	4
	6653	(50.200) Washer 3/16 2001A-3A-4-5-7-8-20-1-3-55	4
10.0614		BRACKET, Cluster panel	
	377948	Right LHD (Brown) 2001A-3A-4-5-7-8-55	1
	378156	Right LHD (Black) 2020-1-3	1
	364440	Right LHD (Blue Gray) 2020-1-3	1
	364441	Right LHD (Green Gray) 2020-1-3-30	1
	358922	Right LHD (Tan) 2020-1-3	1
	377947	Left LHD (Brown) 2001A-3A-4-5-7-8-55	1
	378155	Left LHD (Black) 2020-1-3	1
	364438	Left LHD (Blue Gray) 2020-1-3	1
	364439	Left LHD (Green Gray) 2020-1-3-30	1
	358921	Left LHD (Tan) 2020-1-3	1
	377950	Right RHD (Brown) 2001A-3A-4-5-7-8-55	1
	378513	Right RHD (Black) 2020-1-3	1
	364444	Right RHD (Blue Gray) 2020-1-3	1
	364445	Right RHD (Green Gray) 2020-1-3	1
	358924	Right RHD (Tan) 2020-1-3	1
	377949	Left RHD (Brown) 2001A-3A-4-5-7-8-55	1
	378511	Left RHD (Black) 2020-1-3	1
	364442	Left RHD (Blue Gray) 2020-1-3	1
	364443	Left RHD (Green Gray) 2020-1-3	1
	358923	Left RHD (Tan) 2020-1-3	1
	5935	(50.230) Lockwasher #10 2001A-3A-4-5-7-8-20-1-3-55	4
	362650	Screw #10-32 x 1/4 2001A-3A-4-5-7-8-20-1-3-55	4
10.0635		TRIM, Instrument board instrument panel plastic	
	377954	LHD (Gray) 2001A	1
	377951	LHD (Gray) 2003A-4-5	1
	378199	LHD (Brown) 2007-8	1
	358840	LHD (Blue) 2020-1	1
	378197	LHD (Brown) 2020-1	1
	362922	LHD (Green) 2020-1-30	1
	362923	LHD (Maroon) 2020-1	1
	358847	LHD (Blue) 2023	1
	378198	LHD (Brown) 2023	1
	362924	LHD (Green) 2023	1
	362925	LHD (Maroon) 2023	1
	377953	RHD (Gray) 2001A	1
	358843	RHD (Blue) 2020-1	1
	378280	RHD (Brown) 2020-1	1
	362927	RHD (Green) 2020-1	1
	362928	RHD (Maroon) 2020-1	1
	358850	RHD (Blue) 2023	1
	378281	RHD (Brown) 2023	1
	362929	RHD (Green) 2023	1
	362930	RHD (Maroon) 2023	1
10.0645		TRIM BAND, Instrument panel	
	377389	LHD (Chrome) 2000-1-3-6-10-11	1
	▲379845	LHD (Macoid) 2000-1-3-6-10-11	1
	374544	(Gray) (Metal) 2003A-4-5	1
	374589	(Brown) (Metal) 2007-8	1
	358881	(Blue) (Metal) 2023	1
	374588	(Brown) (Metal) 2023	1

INDEX NO.	PART NO.	DESCRIPTION AND MODELS	PER CAR
PANELS—Continued			
10.0645		TRIM BAND, Instrument panel (Cont'd)	
	362931	(Green) (Metal) 2023	1
	362932	(Maroon) (Metal) 2023	1
	377390	RHD (Chrome) 2000-1-10-11	1
	▲379846	RHD (Macoid) 2000-1-10-11	1
	5935	(50.230) Lockwasher #10 2000-1-3-6-10-11	4
	8068	(50.000) Screw #10-24 x 7/16 2000-1-3-6-10-11	4
10.065		TRIM STRIP, Instrument panel	
	377387	(Left end) (Chrome) 2000-1-3-6-10-11	1
	▲379849	(Left end) (Macoid) 2000-1-3-6-10-11	1
	377407	(Right end) (Chrome) 2000-1-3-6-10-11	1
	▲379850	(Right end) (Macoid) 2000-1-3-6-10-11	1
	324759	Nut	8
10.087		COVER ASSEMBLY, Radio opening	
	371541	(Chrome) 2000-1-3-6-10-11	1
	▲379863	(Macoid) 2000-1-3-6-10-11	1
	358675	2001A-3A-4-5-7-8-20-1-3-55	1
	358695	Clip 2001A-3A-4-5-7-8-20-1-3-55	2
	371717	Nut 2000-1-3-6-10-11	2
10.0876		MEDALION, Radio opening cover	
	213866	2001A-3A-4-5-7-8-20-1-3-55	1
10.088		SHIELD & MOULDING ASSEMBLY, Reading light	
	377957	2001A-3A-4-5-55	1
	377464	2007-8	1
	358641	(Blue) 2020-1-3	1
	378165	(Brown) 2020-1-3	1
	362913	(Green) 2020-1-3-30	1
	362984	(Maroon) 2020-1-3	1
	5695	(50.220) Lockwasher #8	3
	7432	(50.000) Screw #8-32 x 3/8	3
	6387	(50.200) Washer #8	3
10.0915		GUAGE, Instrument board temperature	
	● 379388	(Silver) 2000-1-10-11	1
	364838	(Silver) 2001A-3A-4-5-55	1
	379389	(Bronze) 2003-6	1
	364833	(Bronze) 2007-8-23	1
	379668	(Blue) 2020-1	1
	379667	(Brown) 2020-1	1
	379669	(Green) 2020-1-30	1
	379670	(Maroon) 2020-1	1
SPEEDOMETER			
10.100		SPEEDOMETER, Instrument board	
	377728	(MPH) (LHD) (Brown) 2000-1	1
	364904	(MPH) (Silver) 2001A-3A-4-5-23-55	1
	377699	(MPH) (LHD) (Gray) 2003-6	1
	364905	(MPH) (Bronze) 2007-8-23	1
	379102	(MPH) (LHD) (Blue) 2010-11	1
	367606	(MPH) (LHD) (Beige) 2020-1	1
	364907	(MPH) (LHD) (Blue) 2020-1	1
	364910	(MPH) (LHD) (Brown) 2020-1	1
	364909	(MPH) (LHD) (Green) 2020-1	1
	364908	(MPH) (LHD) (Maroon) 2020-1	1
	377729	(KPH) (LHD) (Brown) 2000-1	1
	367051	(KPH) (Silver) 2001A-3A-4-5-23-55	1
	377700	(KPH) (LHD) (Gray) 2003-6	1
	367052	(KPH) (Bronze) 2007-8-23	1
	379103	(KPH) (LHD) (Blue) 2010-11	1
	367607	(KPH) (LHD) (Beige) 2020-1	1
	367054	(KPH) (LHD) (Blue) 2020-1	1
	367057	(KPH) (LHD) (Brown) 2020-1	1
	367056	(KPH) (LHD) (Green) 2020-1	1
	367055	(KPH) (LHD) (Maroon) 2020-1	1
	378680	(MPH) (RHD) (Brown) 2000-1	1
	379104	(MPH) (RHD) (Blue) 2010-11	1
	378681	(KPH) (RHD) (Brown) 2000-1	1
	379105	(KPH) (RHD) (Blue) 2010-11	1

▲ Use on Clipper Four Door Sedans built after Jan. 1, 1942 only. All other body types have chrome trim.

INSTRUMENT BOARD AND RADIATOR

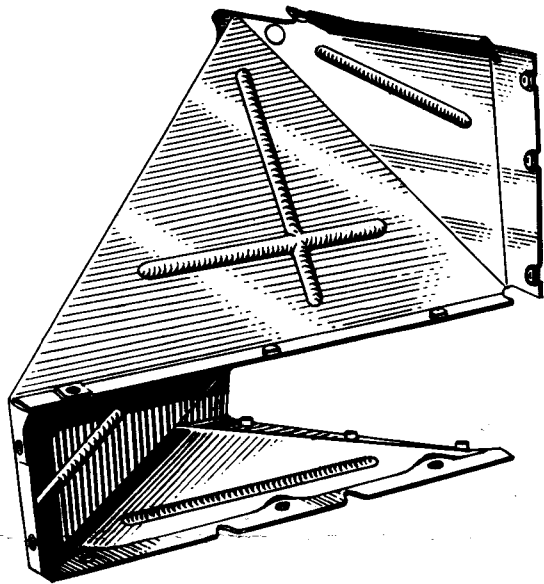
INDEX NO.	PART NO.	DESCRIPTION AND MODELS	PER CAR	INDEX NO.	PART NO.	DESCRIPTION AND MODELS	PER CAR
SPEEDOMETER—Continued				CORE			
10.1025	BEZEL, Speedometer			11.001	CAP ASSEMBLY, Radiator		
	379756	2000-1-3-6-10-11	1		377265 (7#) 20th Sr.		1
10.105	CASE ASSEMBLY, Speedometer				378656 (With chain) 2030		1
	379806 LHD	2000-1	1		7149 Screw #6 x 3/8 2030		1
	379808 LHD	2003-6-10-11	1	11.003	CORE & BRACKET ASSEMBLY, Radiator		
	379807 RHD	2000-1	1		378918 2000-10		1
	379809 RHD	2010-11	1		378636 2001-11		1
10.110	DIAL, Speedometer				377243 2001A		1
	379799 MPH (Plastic)	2000-1-3-6-10-11	1		378448 2003-6		1
	379800 KPH (Plastic)	2000-1-3-6-10-11	1		377240 2003A-4-5-7-8-23-55		1
10.1245	BRACKET, Speed, reset				377244 2020		1
	362347 (LHD) (Tan)	2001A-3A-4-5-7-8-23-55	1		377242 2021		1
	364446 (LHD) (Blue Gray)	2023	1	11.0045	CRADLE ASSEMBLY, Radiator core		
	364447 (LHD) (Green Gray)	2023	1		378596 2000-1-10-11		1
	364220 (RHD)	2001A-3A-4-5-7-8-23-55	1		356944 2001A-20-1		1
10.125	KNOB, Speedometer reset				378692 2003-6		1
	358156	2001A-3-3A-4-5-6-7-8-10-11-23-55	1		356913 2003A-4-5-7-8-23-55		1
10.1250	SET SCREW, Speedometer reset knob				358109 (50.050) Bolt 1/2-20 2000-1-1A-3A-4-5-7-8-10-11-23-55		1
	358157	2001A-3-3A-4-5-6-7-8-10-11-23-55	1		320987 (50.092) Bolt 1/2-20 x 1-7/8 2003-6-20-1 ..		1
10.1251	NUT (KNURLED), Speedometer reset knob cable				4291 (50.240) Cotter pin 3/32 x 3/4 20th Sr. ..		1
	358158	2001A-3-3A-4-5-6-7-8-10-11-23-55	1		358110 (50.950) Insulator 20th Sr.		1
10.127	SHAFT ASSEMBLY, Speedometer				5385 (50.230) Lockwasher 5/16 2003-6		2
	378331 (LHD)	2000-1-3-6-10-11	1		7049 (50.230) Lockwasher 5/16 20th Sr.		x
	#373737 (LHD)	2000-1-3-6-10-11	1		218777 (50.100) Nut 3/8-24 2000-1-3-6-10-11		x
	#347535 (LHD)	2001A-3A-4-5-7-8-20-1-3-55	1		325782 (50.100) Nut 5/16-24 2001A-3A-4-5-7-8-20-1-3-55		x
	367165 (LHD)	2001A-3A-4-5-7-8-20-1-3-55	1		7108 (50.110) Nut 1/2-20 20th Sr.		1
	378332 (RHD)	2000-1-10-11	1		338812 Screw 5/16-18 x 9/16 2000-1-10-11		7
	#378331 (RHD)	2000-1-10-11	1		7378 (50.003) Screw 5/16-24 x 5/8 20th Sr.		6
	347535 (RHD)	2001A-3A-4-5-7-8-20-1-3-55	1		330221 Washer 20th Sr.		1
	#354119 (RHD)	2001A-3A-4-5-7-8-20-1-3-55	1		320986 (50.945) Washer - lower 20th Sr.		1
10.128	CABLE, Speedometer shaft				358150 (50.945) Washer - upper 20th Sr.		1
	362818 LHD (Use with Econo Drive)	2001A-3A-4-5-7-8-55	1		367168 (50.945) Washer - upper 20th Sr.		x
	362818 RHD (86-1/4" Long)	2001A-3A-4-5-7-8-20-1-3-55	1		367180 (50.945) Washer - upper 20th Sr.		1
10.1283	CABLE KIT, Speedometer shaft			11.008	ANTI-SQUEAK, Core cradle		
	378085 (Not used on Econo Drive equipped	2001A-3A-4-5-7-8-55) 20th Sr.	1		316212 2003A-4-5-7-8-23-55		1
10.1285	CLAMP, Speedometer shaft assembly			11.0085	BRACES, Core cradle		
	347539 20th Sr.		1		362248 Right 2001A-3A-4-5-7-8-20-1-3-55		1
	5502 (50.220) Lockwasher 1/4		1		362247 Left 2001A-3A-4-5-7-8-20-1-3-55		1
	7474 (50.004) Screw 1/4-20 x 5/8		1		378705 2003-6		2
10.129	GASKET, Speedometer shaft assembly clamp			11.0086	BRACKET, Radiator core cradle (to fender)		
	347549 20th Sr.		1		378668 Right 2000-1-10-11		1
					371296 Right 2003-6		1
					378667 Left 2000-1-10-11		1
					371295 Left 2003-6		1
					7565 (50.050) Bolt 3/8-16 x 7/8 2001A-20-1		1
					7085 (50.050) Bolt 5/16-18 x 3/4 2001A-3A-4-5-7-8-20-1-3-55		1
					7082 (50.003) Bolt 3/8-24 x 3/4 2003-6		4
					5504 (50.220) Lockwasher 5/16 2000-1-1A-3A-4-5-7-8-10-11-20-1-3-55		x
					5506 (50.220) Lockwasher 3/8 2003-6		4
					7005 (50.100) Nut 5/16-24 2000-1-10-11		4
					7305 (50.100) Nut 5/16-18 2001A-3A-4-5-7-8-20-1-3-55		x
					7164 (50.120) Nut 3/8-16 2001A-20-1		2
					7931 (50.003) Screw 5/16-24 x 11/16 2000-1-10-11		4
					6359 (50.200) Washer 5/16 2001A-3A-4-5-7-8-20-1-3-55		x
					7320 (50.200) Washer 3/8 2003-6		4
				11.0105	REINFORCEMENT ASSEMBLY, Core cradle (to splash side)		
					362019 Right 2001A-20-1		1
					362023 Right 2003A-4-5-7-8-23-55		1
					362018 Left 2001A-20-1		1

Used with Econo Drive

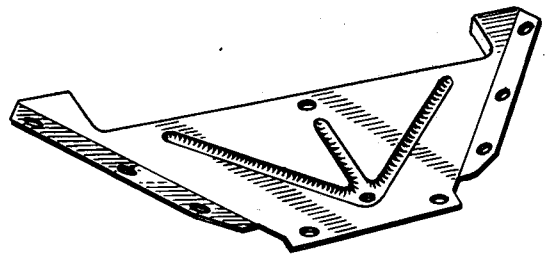
RADIATOR

INDEX NO.	PART NO.	DESCRIPTION AND MODELS	PER CAR
CORE—Continued			
11.0105		REINFORCEMENT ASSEMBLY, Core cradle (to splash side) (Cont'd)	
	362022	Left 2003A-4-5-7-8-23-55	1
	358633	Nut 1/4-28	8
11.0111		BAR, Core cradle tie	
	358006	2001A-3A-4-5-7-8-20-1-3-55	1
11.0112		TIE ROD ASSEMBLY, Core cradle (to frame)	
	371306	2000-1-3-6-10-11	2
	364027	Left 2001A-20-1	1
	364029	Left 2003A-4-5-7-8-23-55	1
	364028	Right 2001A-20-1	1
	364030	Right 2003A-4-5-7-8-23-55	1
	5506	(50.220) Lockwasher 3/8 2000-1-3-6-10-11	2
	5508	(50.220) Lockwasher 7/16 2003A-4-5-7-8-23-55	2
	7007	(50.100) Nut 7/16-20 2001A-3A-4-5-7-8-20-1-3-55	4
	7387	(50.003) Screw 3/8-24 x 7/8 2000-1-3-6-10-11	2
11.0113		BRACKET, Core cradle (to frame) tie rod	
	362825	20th Sr.	2
	7845	(50.003) Bolt 3/8-24 x 2-3/4 2000-1-3-6-10-11	4
	7819	(50.003) Bolt 3/8-24 x 1" 2001A-3A-4-5-7-8-20-1-3-55	4
	5506	(50.220) Lockwasher 3/8 2000-1-3-6-10-11	4
	6902	(50.120) Locknut 3/8-24 2001A-3A-4-5-7-8-20-1-3-55	4
	7006	(50.100) Nut 3/8-24 2000-1-3-6-10-11	4
	5049	(50.200) Washer 3/8 20th Sr.	x
11.0114		GROMMET, Core cradle (to frame) tie rod	
	202504	20th Sr.	4
11.0115		GUIDE, Core cradle (to frame) tie rod grommet	
	362357	20th Sr.	2
11.0116		RETAINER, Core cradle (to frame) tie rod grommet	
	202221	20th Sr.	4
	7007	(50.100) Nut 7/16-20	2
11.012		DRAIN COCK, Radiator	
	378248	2000-1-3-6-10-11	1
	373955	2001A-3A-4-5-7-8-20-1-3-55	1
11.0122		HOSE, Radiator	
	371125	Inlet 2000-1-10-11	1
	358003	Inlet 2001A-20-1	1
	358002	Inlet 2003-3A-4-5-6-7-8-23-55	1
	371115	Outlet - lower 2001-11	1
	320686	Outlet - upper 2001-11	1
	371115	Outlet 2000-3-6-10	2
	320686	Outlet 2001A-3A-4-5-7-8-20-1-3-55	2
11.0123		CLAMP, Hose	
	230085	(50.675) 20th Sr.	x
	364269	(50.675) 2007-8	2
11.0125		HOSE AND CLAMP SET, Radiator	
	378391	2000-10	1
	98795	2001-11	1
	98783	2001A-20-21	1
	98784	2003-3A-4-5-6-7-8-23-55	1
11.013		ELBOW, Hose (outlet)	
	377517	2000-10	1
	379080	2001-11	1
	324171	2001A-20-1	1
	341691	2003-3A-4-5-6-7-8-23-55	1

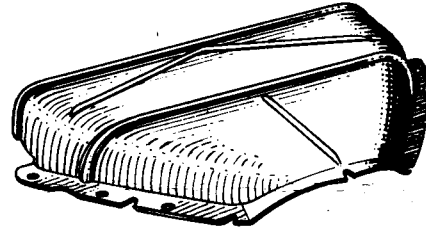
INDEX NO.	PART NO.	DESCRIPTION AND MODELS	PER CAR
CORE—Continued			
11.0135		EXTENSION, Overflow tube	
	367127	2003A-4-5-7-8-23-55	1
11.014		TIE ROD AND NUTS ASSEMBLY, Radiator	
	900546	2001A	2
	900424	2003A-4-5-7-8-23-55	2
	900422	2020	2
	900423	2021	2
11.015		BRACKET, Tie rod	
	362322	Front 2001A-20-1	2
	362739	Front Right 2003A-4-5-7-8-23-55	1
	362738	Front Left 2003A-4-5-7-8-23-55	1
	5506	(50.220) Lockwasher 3/8 2001A-3A-4-5-7-8-20-1-3-55	2
	7006	(50.100) Nut 3/8-24 2001A-3A-4-5-7-8-20-1-3-55	x
	7156	(50.120) Nut 1/2-20 2003A-4-5-7-8-23-55	4
	7819	(50.003) Screw 3/8-24 x 1 2001A-3A-4-5-7-8-20-1-3-55	2
11.017		RUST PREVENTIVE, Radiator	
	98737	(1/2 pint can) 20th Sr.	x
SHELL			
11.1005		SHELL ASSEMBLY, Radiator (lower)	
	373803	2001A-3A-4-5-7-8-20-1-3-55	1
	341548	Speed nut #12-11	4
	341557	Screw #12-11 x 1/2	4
11.108		SPLASHER, Radiator	
	377252	Right (To fender grille) 2001A-20-1	1
	377248	Right (To fender grille) 2003A-4-5-7-8-23-55	1
	377251	Left (To fender grille) 2001A-20-1	1
	377247	Left (To fender grille) 2003A-4-5-7-8-23-55	1
	378695	Lower 2000-1-10-11	1
	378806	Lower (Filler) 2000-10	1
	378735	Lower 2003-6	1
	373805	Lower front 2001A-3A-4-5-7-8-20-1-3-55	1
	373807	Lower rear 2001A-20-1	1
	373808	Lower rear 2003A-4-5-7-8-23-55	1
	378800	Side right (To fender grille) 2000-1-10-11	1
	379727	Side right (Baffle) 2001-11	1
	373810	Side right 2001A-20-1	1
	379263	Side right 2003-6	1
	373812	Side right 2003A-4-5-7-8-23-55	1
	378799	Side left (To fender grille) 2000-1-10-11	1
	379726	Side left (Baffle) 2001-11	1
	373809	Side left 2001A-20-1	1
	379262	Side left 2003-6	1
	373811	Side left 2003A-4-5-7-8-23-55	1
	379049	Top 2000-10	1
	379050	Top 2001-11	1
	362031	Top 2001A	1
	371304	Top 2003-6	1
	356941	Top 2003A-4-5-7-8-23-55	1
	356940	Top 2020-1	1
	367389	Top 2030	1
	376114	Clip (Top) 2000-1-10-11	3
	5502	(50.220) Lockwasher 1/4 20th Sr.	x
	5504	(50.220) Lockwasher 5/16 2001A-3A-4-5-7-8-20-1-3-55	2
	7049	(50.230) Lockwasher 5/16 2003-6	2
	328663	Clinch nut 1/4-28 20th Sr.	x
	379042	Speed nut #14 2000-1-3-6-10-11	x
	377142	Nut 2000-1-10-11	6
	358633	Nut 1/4-28 2001A-3A-4-5-7-8-20-1-3-55	x
	7004	(50.100) Nut 1/4-28 2003-6	x
	7789	(50.003) Screw 1/4-20 x 11/16 2000-1-10-11	x
	371590	Screw #14 x 3/4 2000-1-3-6-10-11	x
	7129	Screw 1/4-20 x 1/2 2000-1-3-6-10-11	x
	7125	(50.003) Screw 1/4-28 x 5/8 20th Sr.	x
	341557	Screw #12-11 x 1/2 2001A-3A-4-5-7-8-20-1-3-55	4



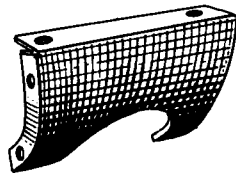
379263-R.H. 379262-L.H.



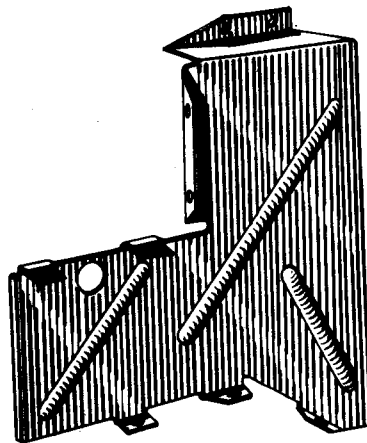
378735



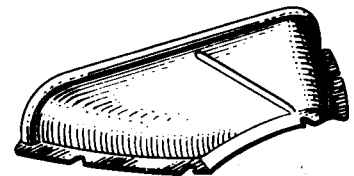
379049
371304



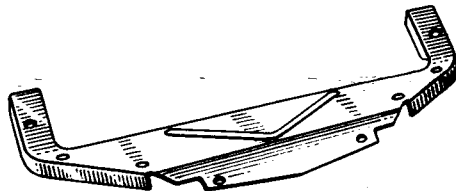
373524



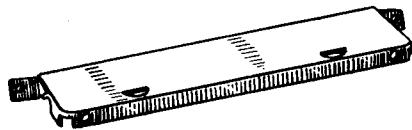
379727-R.H. 379726-L.H.



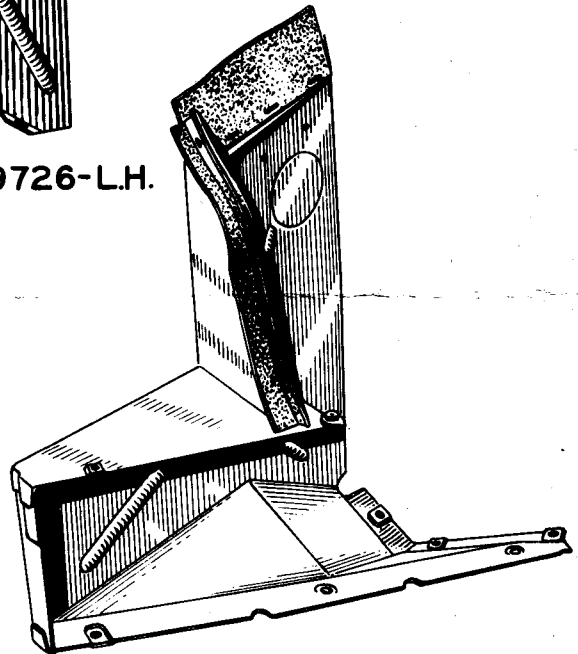
379050



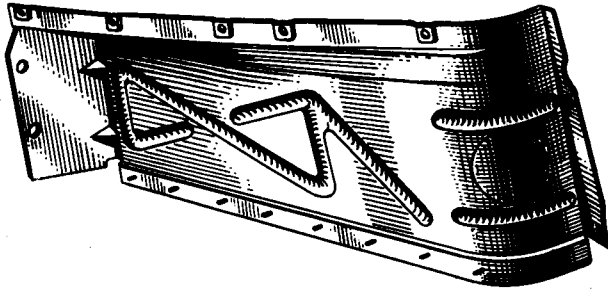
378695



378806



378800-R.H. 378799-L.H.

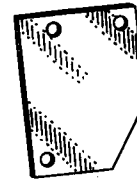


378651-R.H.

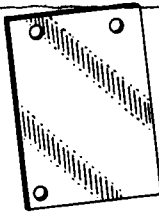
378650-L.H.

373732-R.H.

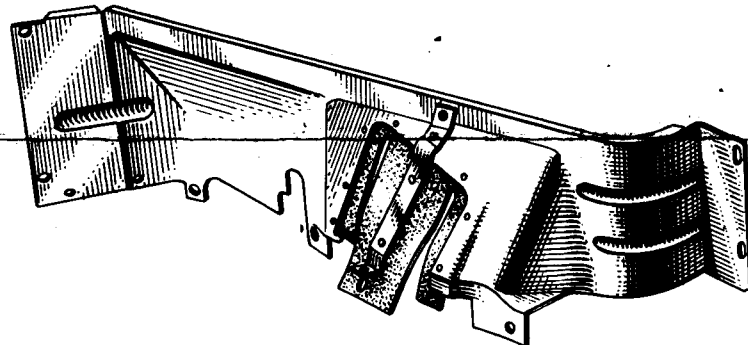
373453-L.H.



373681



373680



378633-R.H.

378632-L.H.

373419-R.H.

373418-L.H.

INDEX NO. 7.000 - FRONT FENDER SPLASHERS - MODELS 2000-1-3-6-10-11

In the front end of our Clipper Models, underneath the front fenders and behind the grille, there are several stampings which are difficult to describe accurately. To assist the stock man in ordering repair parts, we are showing sketches of the different panels, splashers, etc., with the correct name and number for the different models.

INDEX NO.	PART NO.	DESCRIPTION	MODELS
11.3056	373524	Radiator Grille (Lower) Finish Panel	2000 - 2001 - 2003 - 2006
11.108	378695	Radiator Splasher - Lower	2000 - 2001
11.108	378735	Radiator Splasher - Lower	2003 - 2006
11.108	378800	Radiator Splasher Side Right Assembly	2000 - 2001
11.108	379263	Radiator Splasher Side Right Assembly	2003 - 2006
11.108	378799	Radiator Splasher Side Left Assembly	2000 - 2001
11.108	379262	Radiator Splasher Side Left Assembly	2003 - 2006
11.108	379727	Radiator Splasher Side Baffle Right	2001
11.108	379726	Radiator Splasher Side Baffle Left	2001
11.108	371304	Radiator Splasher Top Assembly	2003 - 2006
11.108	379049	Radiator Splasher Top Assembly	2000
11.108	379050	Radiator Splasher Top Assembly	2001
11.108	378806	Radiator Splasher Lower Filler Assembly	2000
7.011	378633	Front Fender Splasher (Lower) Right Assembly	2000 - 2001
7.011	373419	Front Fender Splasher (Lower) Right Assembly	2003 - 2006
7.011	378632	Front Fender Splasher (Lower) Left Assembly	2000 - 2001
7.011	373418	Front Fender Splasher (Lower) Left Assembly	2003 - 2006
7.011	378651	Front Fender Splasher (Upper) Right Assembly	2000 - 2001
7.011	373732	Front Fender Splasher (Upper) Right Assembly	2003 - 2006
7.011	378650	Front Fender Splasher (Upper) Left Assembly	2000 - 2001
7.011	373453	Front Fender Splasher (Upper) Left Assembly	2003 - 2006
7.0116	373680	Front Fender Splasher (Lower) Extension	2000 - 2001
7.0116	373681	Front Fender Splasher (Lower) Extension	2003 - 2006

NOTE: Insert in Packard Service Parts List - 20th Series - in front of book following index page R.

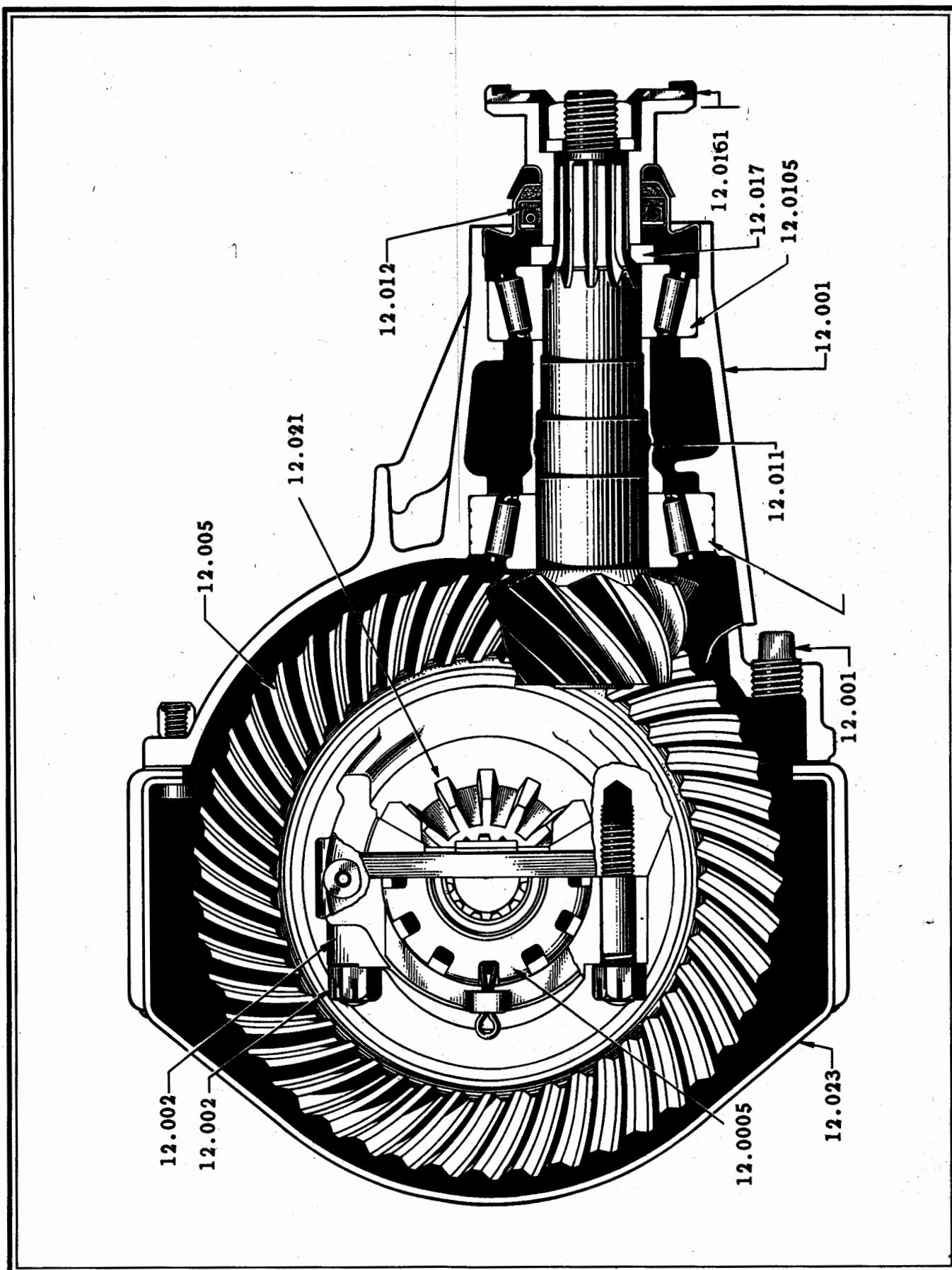
INDEX NO.	PART NO.	DESCRIPTION AND MODELS	PER CAR	INDEX NO.	PART NO.	DESCRIPTION AND MODELS	PER CAR
SHELL—Continued				SHUTTER—Continued			
11.108		SPLASHER, Radiator (Cont'd)		11.2115		LINK, Shutter operating (Cont'd)	
	7801 (50.003)	Screw 1/4-28 x 1/2 2001A-3A-4-5-6-7-8-20-1-3-55	x	6Q56 (50.003)		Lockwasher #10	2
	7553 (50.003)	Screw 5/16-24 x 7/8 2001A-3A-4-5-7-8-20-1-3-55	2	7437 (50.000)		Screw #10-32 x 5/16	2
	7249 (50.003)	Screw 1/4-28 x 3/4 2001A-3A-4-5-7-8-20-1-3-55	x	11.212		BELL CRANK AND BUSHING ASSEMBLY, Shutter operating link	
	7543 (50.300)	Screw #14 x 3/8 tapping 2001A-3A-4-5-7-8-20-1-3-55	4	351335		Right 2001A-3A-4-5-7-8-23	1
	7379 (50.003)	Screw 5/16-24 x 5/8 2003-6	2	351336		Left 2001A-3A-4-5-7-8-23	1
	5937 (50.200)	Washer 2001A-3A-4-5-7-8-20-1-3-55	2	11.213		BELL CRANK, Shutter operating link	
	3870	Washer 1/4 2001A-3A-4-5-7-8-20-1-3-55	x	351332		Right 2001A-3A-4-5-7-8-23	1
	3874 (50.200)	Washer 5/16 2003A-4-5-7-8-23-55	2	351333		Left 2001A-3A-4-5-7-8-23	1
	7319 (50.200)	Washer 1/4 20th Sr.	x	6968 (50.240)		Cotter pin	2
11.1085		SEAL, Radiator splasher		326569		Pin	2
	378775 (Side - lower)	2000-1-10-11	2	351339 (50.090)		Stud right	1
	379038 (Side - upper)	2000-1-10-11	2	351338 (50.090)		Stud left	1
	377260 (To fender grille)	2001A-3A-4-5-7-8-20-1-3-55	2	11.215		BUSHING, Shutter operating link bell crank	
	139521	Rivet 5/32 x 7/16	2	351337		2001A-3A-4-5-7-8-23	2
SHUTTER				11.2163		ROD, Shutter operating	
11.2001		SHUTTER ASSEMBLY, Radiator		362216		2001A	1
	358826	2001A-3A-4-5-7-8-23	1	362217		2003A-4-5-7-8-23	1
11.2002		SCREW, Shutter assembly (to shell)		326579		Pinlock	1
	341557 (#12-11 x 1/2)	2001A-3A-4-5-7-8-23	4	5504 (50.220)		Lockwasher 5/16	1
	341548	Speed nut #12-11	4	7005 (50.100)		Nut 5/16-24	2
				326568		Pin	1
11.202		BLADE ASSEMBLY, Shutter		11.2165		SPRING, Shutter operating rod	
	351301	Center left 2001A-3A-4-5-7-8-23	1	362218		2001A-3A-4-5-7-8-23	1
	362195	Intermediate right 2001A-3A-4-5-7-8-23	1	11.2166		ANCHOR BRACKET, Shutter operating rod spring	
	362194	Intermediate left 2001A-3A-4-5-7-8-23	1	362219		2001A-3A-4-5-7-8-23	1
	351303	Long right 2001A-3A-4-5-7-8-23	3	11.2195		PANEL ASSEMBLY, Shutter (upper)	
	362193	Long notched right 2001A-3A-4-5-7-8-23	1	362221		2001A-3A-4-5-7-8-23	1
	351302	Long left 2001A-3A-4-5-7-8-23	2	11.220		BRACKET, Shutter (to radiator shell)	
	362192	Long notched left 2001A-3A-4-5-7-8-23	1	358068		2001A-3A-4-5-7-8-23	1
	362197	Short right 2001A-3A-4-5-7-8-23	2	324759 (50.150)		Nut #10-24	2
	362196	Short left 2001A-3A-4-5-7-8-23	2	341557 (50.080)		Screw #12-11 x 1/2	2
11.203		BEARING ASSEMBLY, Shutter blade		11.222		THERMOSTAT AND COVER ASSEMBLY, Shutter	
	351315	Lower 2001A-3A-4-5-7-8-23	2	327808		2001A-3A-4-5-7-8-23	1
	362204	Upper inner 2001A-3A-4-5-7-8-23	2	7443 (50.004)		Screw #10-32 x 7/16	6
	362205	Upper intermediate 2001A-3A-4-5-7-8-23	2	5500 (50.220)		Lockwasher #10	6
	351317	Upper outer 2001A-3A-4-5-7-8-23	2	11.2225		COVER, Shutter thermostat hole	
11.204		RETAINER, Shutter blade bearing		377840		2055	1
	351318	Lower 2001A-3A-4-5-7-8-23	2	11.223		GASKET, Shutter thermostat cover	
	362206	Upper inner 2001A-3A-4-5-7-8-23	2	324226		2001A-3A-4-5-7-8-23-55	1
	362207	Upper intermediate 2001A-3A-4-5-7-8-23	2	11.224		SYLPHON ASSEMBLY, Shutter thermostat	
	351320	Upper outer 2001A-3A-4-5-7-8-23	2	327796 (135° to 150°)		2001A-3A-4-5-7-8-23	1
	326583 (50.425)	Rivet	14	GRILLE			
11.205		STUD, Shutter blade and operating bar		11.300		GRILLE ASSEMBLY, Radiator (See index #7.0075 for front fender grille)	
	225112	2001A-3A-4-5-7-8-23	14	371214 (Chrome)		2000-1-3-6-10-11	1
11.206		PIN, Shutter blade pivot		379932 (Prime)		2000-1-3-6-10-11	1
	326564	2001A-3A-4-5-7-8-23	28	358014		2020-1-55	1
11.207		FRAME ASSEMBLY, Shutter		6788 (50.230)		Lockwasher 2000-1-3-6-10-11	10
	358761	2001A-3A-4-5-7-8-23	1	341548 (50.150)		Speed nut #12-11 2020-1	4
11.208		BAR AND STUD ASSEMBLY, Shutter operating		7004 (50.100)		Nut 1/4-28 2000-1-3-6-10-11	2
	362214	Right 2001A-3A-4-5-7-8-23	1	373663 (50.003)		Screw 1/4-28 2000-1-3-6-10-11	10
	4280 (50.240)	Cotter pin 1/16 x 1/2	2	341557 (50.080)		Screw #12-11 x 1/2 2001A-3A-4-5-7-8-20-1-3-55	x
11.209		BAR, Shutter operating		7319 (50.200)		Washer 1/4 2000-1-3-6-10-11	2
	362212	Right 2001A-3A-4-5-7-8-23	1	11.302		BLADE, Grille	
	362211	Left 2001A-3A-4-5-7-8-23	1	354815		Right - Intermediate 2020-1-55	2
	230446 (50.090)	Stud	2	354814		Left - Intermediate 2020-1-55	2
11.2115		LINK, Shutter operating		354813		Right - Long 2020-1-55	3
	362215	Right 2001A-3A-4-5-7-8-23	1	354812		Left - Long 2020-1-55	5
	351330	Left bottom 2001A-3A-4-5-7-8-23	1	354817		Right - Short 2020-1-55	1
	351331	Left top 2001A-3A-4-5-7-8-23	1	354816		Left - Short 2020-1-55	1

Used on Clipper Four Door Sedans built after Jan. 1, 1942 only. All other body types have chrome trim.

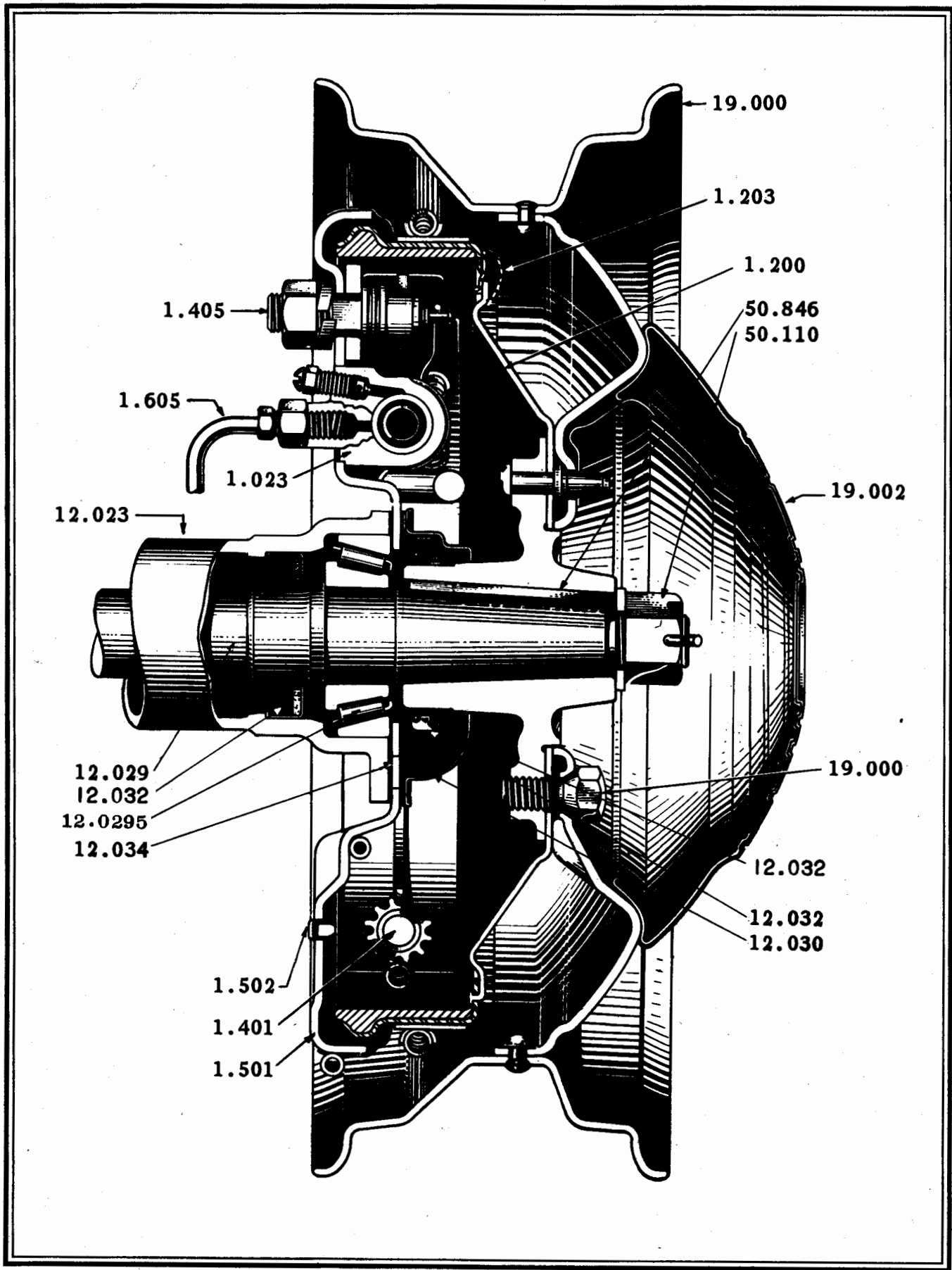
RADIATOR AND REAR AXLE

INDEX NO.	PART NO.	DESCRIPTION AND MODELS	PER CAR
GRILLE—Continued			
11.302		BLADE, Grille (Cont'd)	
	354819	Right outer - Short 2020-1-55	1
	354818	Left outer - Short 2020-1-55	1
11.303		SUPPORT ASSEMBLY, Grille blade	
	358012	Upper 2020-1-55	1
	341557	(50.080) Screw #12-11 x 1/2 2055	1
	324759	(50.150) Nut #10-24 2055	1
11.3033		SUPPORT, Radiator grille blade	
	348845	Center 2020-1-55	1
	348790	Intermediate 2055	1
	348832	Lower intermediate 2020-1-55	1
	348790	Upper intermediate 2020-1	1
	354811	Lower right 2020-1-55	1
	354810	Lower left 2020-1-55	1
	348762	Upper 2020-1-55	1
	5500	(50.220) Lockwasher #10 2020-1	2
	7003	(50.100) Nut #10-32 2020-1	2
	6532	(50.400) Rivet 1/8 x 3/16 2055	16
	6071	(50.004) Screw #10-32 x 1/2 2020-1	2
	6653	(50.200) Washer #10 2020-1	2
11.305		BRACKET, Grille (to radiator shell)	
	358068	Lower 2020-1-55	1
	324759	(50.150) Nut #10-24 2020-1-55	2
	341557	(50.080) Screw #12-11 x 1/2 2020-1-55	2
	341548	(50.150) Speed nut #12-11 2055	4
11.3056		PANEL, Grille finish	
	373524	Lower 2000-1-3-6-10-11	1
11.306		FRAME, Grille	
	356761	2020-1-55	1

INDEX NO.	PART NO.	DESCRIPTION AND MODELS	PER CAR
CARRIER			
12.000		BEARING, Rear axle differential	
	348642	2000-1-10-11	2
	311992	2001A-3-4-5-6-7-8-21-3-30-55	2
12.0005		ADJUSTING NUT, Differential bearing	
	329266	2000-1-10-11	2
	311919	2001A-3-3A-4-5-6-7-8-21-3-30-55	2
	6886	Cotter Pin 7/32 x 3/4	2
12.001		CARRIER ASSEMBLY, Differential	
	901043	(4.3 to 1) (Std. without Econo-Drive) 2000-10	1
	901044	(4.55 to 1) (Spl. without Econo-Drive - Std. with Econo-Drive) 2000-10	1
	901047	(4.1 to 1) (Std. without Econo-Drive) 2001-11	1
	901045	(4.3 to 1) (Spec. without Econo-Drive - Std. with Econo-Drive) 2001-11	1
	901092	(4.7 to 1) (Std. without Econo-Drive) 2001A	1
	901096	(4.9 to 1) (Spl. without Econo-Drive - Std. with Econo-Drive) 2001A	1
	901051	(3.92 to 1) (Std. without Econo-Drive) 2003-6-23	1
	901049	(4.09 to 1) (Spl. without Econo-Drive - Std. with Econo-Drive) 2003-6-23	1
	901048	(4.36 to 1) (Spl. with or without Econo-Drive) 2003-6-23	1
	901052	(4.54 to 1) (Std. without Econo-Drive) 2003A	1
	901050	(4.7 to 1) (Spl. without Econo-Drive - Std. with Econo-Drive) 2003A	1
	901049	(4.09 to 1) (Std. without Econo-Drive) 2004-7	1
	901048	(4.36 to 1) (Spl. without Econo-Drive - Std. with Econo-Drive) 2004-7	1
	901048	(4.36 to 1) (Std. without Econo-Drive) 2005-8-55	1
	901052	(4.54 to 1) (Spl. without Econo-Drive - Std. with Econo-Drive) 2005-8-55	1
	901090	(4.3 to 1) (Std. without Econo-Drive) 2020	1
	901091	(4.55 to 1) (Spl. without Econo-Drive - Std. with Econo-Drive) 2020	1
	901094	(4.09 to 1) (Std. without Econo-Drive) 2021	1
	901046	(4.36 to 1) (Spl. without Econo-Drive - Std. with Econo-Drive) 2021	1
	901098	(4.54 to 1) (Spl. with or without Econo-Drive) 2021	1
	901222	(4.54 to 1) 2030	1
	237673	Gasket (Bolt)	9
	348078	Bolt	9
	348079	Locknut	9
	6099	OIL PLUG 1/2 square head	2
12.0015		CARRIER & CAP ASSEMBLY, Differential	
	347046	2000-1-10-11	1
	319966	2001A-21-30	1
	347393	(Not used for 2003-6-23 with 3.92 to 1 ratio) 2003-3A-4-5-6-7-8-23-55	1
	347391	(Use only with 3.92 to 1 ratio) 2003-6-23	1
12.002		CAP, Differential carrier	
	329310	2000-1-10-11-20	2
	311920	2001A-3-3A-4-5-6-7-8-21-3-30-55	2
	7161	(50.120) Nut 1/2-20 2001A-3-3A-4-5-6-7-8-21-3-30-55	4
	329257	Screw 1/2-20 x 2-1/2 2000-1-10-11-20	4
	329484	Screw lock 2000-1-10-11	4
	330109	Stud 1/2 2001A-3-3A-4-5-6-7-8-21-3-30-55	4
12.003		GASKET, Rear axle differential carrier (to case)	
	334889	2000-1-10-11-20	1
	323010	2001A-3-3A-4-5-6-7-8-21-3-30-55	1



R. A. DIFFERENTIAL CARRIER ASSEMBLY



REAR WHEEL GROUP

INDEX NO.	PART NO.	DESCRIPTION AND MODELS	PER CAR
CARRIER—Continued			
12.004	CASE, Differential		
360399	(Not used on 2001-11 with 4.1 to 1 ratio) 2000-1-10-11		1
373314	(Use with 4.1 to 1 ratio) 2001-11		1
347830	(Not used on 2003-6-23 with 3.92 to 1 ratio) 2001A-3-3A-4-5-6-7-8-21-3-55		1
347800	(Use with 3.92 to 1 ratio) 2003-6-23		1
347830	2030		1
12.005	GEAR & PINION ASSEMBLY, Differential driving		
900023	(4.3 to 1) (Std. without Econo-Drive) 2000-10-20		1
900024	(4.55 to 1) (Spl. without Econo-Drive - Std. with Econo-Drive) 2000-10-20		1
901042	(4.1 to 1) (Std. without Econo-Drive) 2001-11		1
900023	(4.3 to 1) (Spl. without Econo-Drive - Std. with Econo-Drive) 2001-11		1
900068	(4.7 to 1) (Std. without Econo-Drive) 2001A		1
900069	(4.9 to 1) (Spl. without Econo-Drive - Std. with Econo-Drive) 2001A		1
900131	(3.92 to 1) (Std. without Econo-Drive) 2003-6-23		1
900065	(4.09 to 1) (Spl. without Econo-Drive - Std. with Econo-Drive) 2003-6-23		1
900064	(4.36 to 1) (Spl. with or without Econo-Drive) 2003-6-23		1
900066	(4.54 to 1) (Std. without Econo-Drive) 2003A		1
900068	(4.7 to 1) (Spl. without Econo-Drive - Std. with Econo-Drive) 2003A		1
900065	(4.09 to 1) (Std. without Econo-Drive) 2004-7-21		1
900064	(4.36 to 1) (Spl. without Econo-Drive - Std. with Econo-Drive) 2004-7-21		1
900064	(4.36 to 1) (Std. without Econo-Drive) 2005-8-55		1
900066	(4.54 to 1) (Spl. without Econo-Drive - Std. with Econo-Drive) 2005-8-55		1
900066	(4.54 to 1) (Spl. with or without Econo-Drive) 2021		1
900066	(4.54 to 1) 2030		1
120813	Lockwire (7" long) 20th Sr.		6
329373	(50.003) Screw 2000-1-10-11-20		12
347799	(50.003) Screw 2001A-21-30		12
347824	(50.003) Screw 2003-3A-4-5-6-7-8-23-55		12
12.006	IDLER, Differential driving gear		
323379	2003-3A-4-5-6-7-8-23-55		1
12.007	LOCKING PLATE, Differential driving gear idler		
323352	2003-3A-4-5-6-7-8-23-55		1
5504	(50.220) Lockwasher 5/16		1
6183	(50.003) Screw 5/16-18 x 5/8		1
323469	Washer		1
12.008	SHAFT, Differential driving gear idler		
323435	2003-3A-4-5-6-7-8-23-55		1
5512	(50.220) Lockwasher 9/16		1
7933	(50.100) Check nut 9/16-18		1
12.009	ROLLER, Differential driving gear idler shaft		
323436	2003-3A-4-5-6-7-8-23-55		28
12.010	WASHER, Differential driving gear shaft thrust		
323428	2003-3A-4-5-6-7-8-23-55		1
12.0105	BEARING, Differential driving pinion		
348643	Front 2000-1-10-11-20		1
311990	Front 2001A-3-4-5-6-7-8-21-3-30-55		1
348644	Rear 2000-1-10-11-20		1
311991	Rear 2001A-3-4-5-6-7-8-21-3-30-55		1
12.011	SLEEVE, Differential driving pinion bearing		
347051	2000-1-10-11-20		1
341792	2001A-3-3A-4-5-6-7-8-21-3-30-55		1

INDEX NO.	PART NO.	DESCRIPTION AND MODELS	PER CAR
CARRIER—Continued			
12.012	OIL SEAL ASSEMBLY, Differential driving pinion bearing front		
329655	2000-1-10-11-20		1
311926	2001A-3-3A-4-5-6-7-8-21-3-30-55		1
12.013	RETAINER, Differential driving pinion oil seal		
329272	2000-1-10-11-20		1
309523	2001A-3-3A-4-5-6-7-8-21-3-30-55		1
12.0161	UNIVERSAL JOINT FLANGE, Differential driving pinion		
326870	2000-1-10-11-20		1
302868	2000-1-1A-3-3A-4-5-6-7-8-10-11-21-3-55		1
371683	Nut		1
300910	Washer		1
12.0162	DUST SHIELD, Differential driving pinion universal joint flange		
309525	20th Sr.		1
12.017	SPACER, Differential driving pinion universal joint flange		
309519	2001A-3-3A-4-5-6-7-8-21-3-30-55		1
12.018	PINION, Differential		
360395	2000-1-10-11-20		2
302229	2001A-21-30		2
338909	2003-3A-4-5-6-7-8-23-55		2
12.019	PIN, Differential pinion		
360397	2000-1-10-11-20		1
300729	2001A-3-3A-4-5-6-7-8-21-3-30-55		1
302560	Lock Pin		1
12.020	THRUST WASHER, Differential pinion		
360405	2000-1-10-11-20		2
300897	2001A-3-3A-4-5-6-7-8-21-3-30-55		2
12.021	GEAR, Differential		
329599	2000-1-10-11-20		2
302230	2001A-21-30		2
338916	2003-3A-4-5-6-7-8-23-55		2
12.022	THRUST WASHER, Differential gear		
378688	2000-1-10-11-20		2
302228	2001A-3-3A-4-5-6-7-8-21-3-30-55		2

HOUSING AND SHAFT

12.023	CASE ASSEMBLY, Rear Axle		
373491	2000-1-3-6-10-11		1
356280	2001A-3A-5-8-30-55		1
356279	2004-7		1
356282	2020		1
356337	2021-3		1
12.0235	CLIP, Case brake tube		
316673	20th Sr.		2
12.029	SHAFT, Rear axle		
340110	2000-1-10-11-20		2
338693	2001A-3A-5-8-30-55		2
323143	2003-4-7-21-3		2
4309	(50.240) Cotter pin 1/8 x 1-3/8 2000-1-10-11		2
4334	(50.240) Cotter pin 3/16 x 1-3/4 2001A-3-3A-4-5-6-7-8-21-3-30-55		2
351531	Nut 2000-1-10-11		2
303913	Nut 7/8-14 2001A-3-3A-4-5-6-7-8-21-3-30-55		2
3893	(50.200) Washer 3/4 2000-1-10-11		2
126985	Washer 2001A-3-3A-4-5-6-7-8-21-3-30-55		2
12.0295	BEARING, Shaft		
348645	2000-1-10-11		2
324947	2001A-3A-5-8-30-55		2
324946	2003-4-6-7-21-3		2

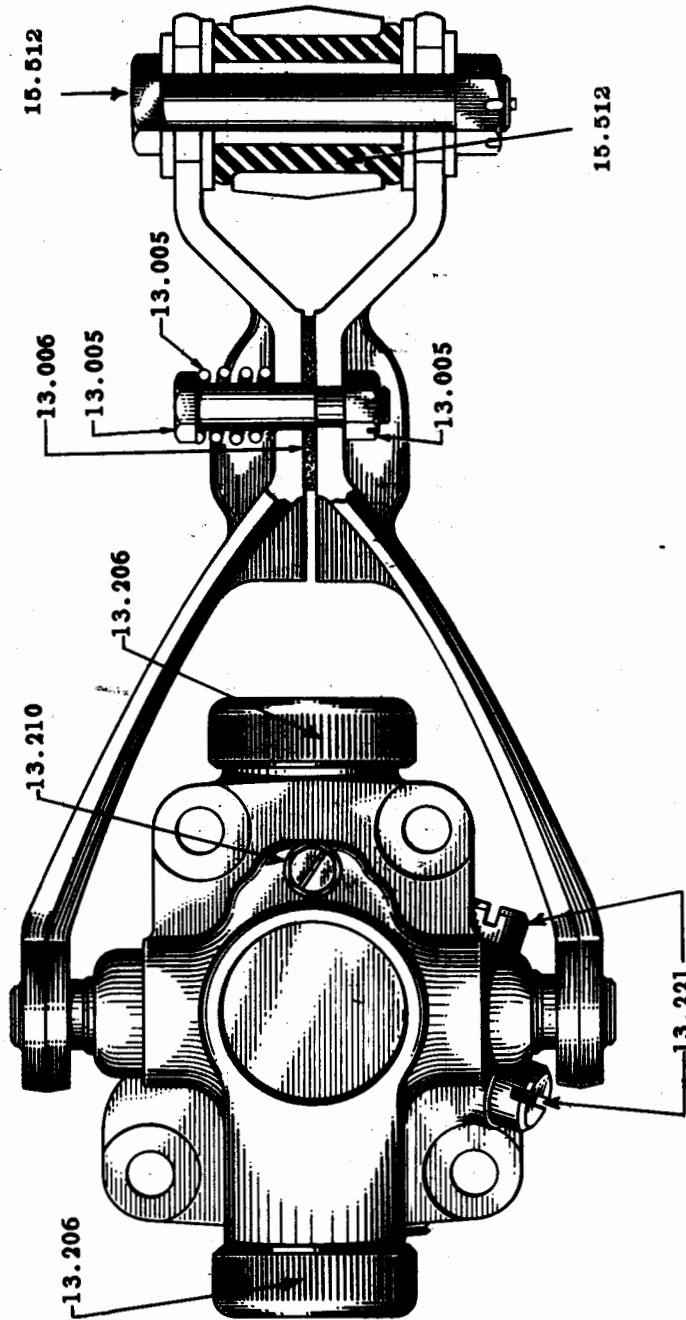
□ Use with "Universal Products" type.
 • Two types of Universal Joint Shafts were used on models 2000-1-10-11 equipped with Econo-Drive (See Universal Joint Shaft Illustration). Use with "Mechanics Universal" type.

INDEX NO.	PART NO.	DESCRIPTION AND MODELS	PER CAR
HOUSING AND SHAFT—Continued			
12.030	GUARD, Shaft bearing oil		
	334922 2000-1-10-11		2
	323152 2001A-3A-5-8-30-55		2
	323137 2003-4-6-7-21-3		2
12.031	GASKET, Shaft bearing oil guard		
	354267 2000-1-10-11		2
	354415 2001A-3A-5-8-30-55		2
	354414 2003-4-6-7-21-3		2
12.0313	OIL SEAL KIT, Rear axle shaft		
	379822 (2 wheel) 2000-1-10-11-20		1
	379824 (2 wheel) 2001A-3A-5-8-30-55		1
	379823 (2 wheel) 2003-4-6-7-21-3		1
	379825 (1 wheel) 2000-1-10-11-20		2
	379827 (1 wheel) 2001A-3A-5-8-30-55		2
	379826 (1 wheel) 2003-4-6-7-21-3		2
12.0315	OIL SEAL, Shaft bearing		
	347052 Inner 2000-1-10-11-20		2
	323151 Inner 2001A-3A-5-8-30-55		2
	323135 Inner 2003-4-6-7-21-3		2
	334929 Outer 2000-1-10-11-20		2
	324961 Outer 2001A-3A-4-5-6-7-8-21-3-55		2
12.032	RETAINER, Shaft bearing oil seal		
	323150 2001A-3A-5-8-30-55		2
	323136 2003-4-6-7-21-3		2
12.033	GASKET, Shaft bearing oil seal retainer		
	354411 2000-1-10-11-20		2
	354410 2001A-3A-5-8-30-55		2
	354409 2003-6-7-21-3		2
12.034	SHIM, Shaft bearing		
	329627 (.005) 2000-1-10-11-20		x
	324147 (.005) 2001A-3A-5-8-30-55		x
	338163 (.005) 2001A-AMB		x
	323140 (.005) 2003-4-6-7-21-3		x
	329628 (.007) 2000-1-10-11-20		x
	323148 (.007) 2001A-3A-5-8-30-55		x
	338164 (.007) 2001A-AMB		x
	323141 (.007) 2003-4-6-7-21-3		x
	329629 (.020) 2000-1-10-11-20		x
	323149 (.020) 2001A-3A-5-8-30-55		x
	338165 (.020) 2001A-AMB		x
	323142 (.020) 2003-4-6-7-21-3		x
12.0340	KEY, Shaft		
	334921 2000-1-10-11-20		2
	197130 2001A-3A-4-5-6-7-8-21-3-30-55		2
12.0341	SEAL, Shaft nut oil		
	354505 2001A-3A-5-8-30-55		2
	354504 2003-4-6-7-21-3		2
12.035	THRUST BLOCK, Shaft		
	360401 2000-1-10-11-20		1
	323133 2001A-3A-4-5-6-7-8-21-3-30-55		1
12.036	SPACER, Shaft thrust block		
	360403 2000-1-10-11-20		2
	323132 2001A-3A-4-5-6-7-8-21-3-30-55		2

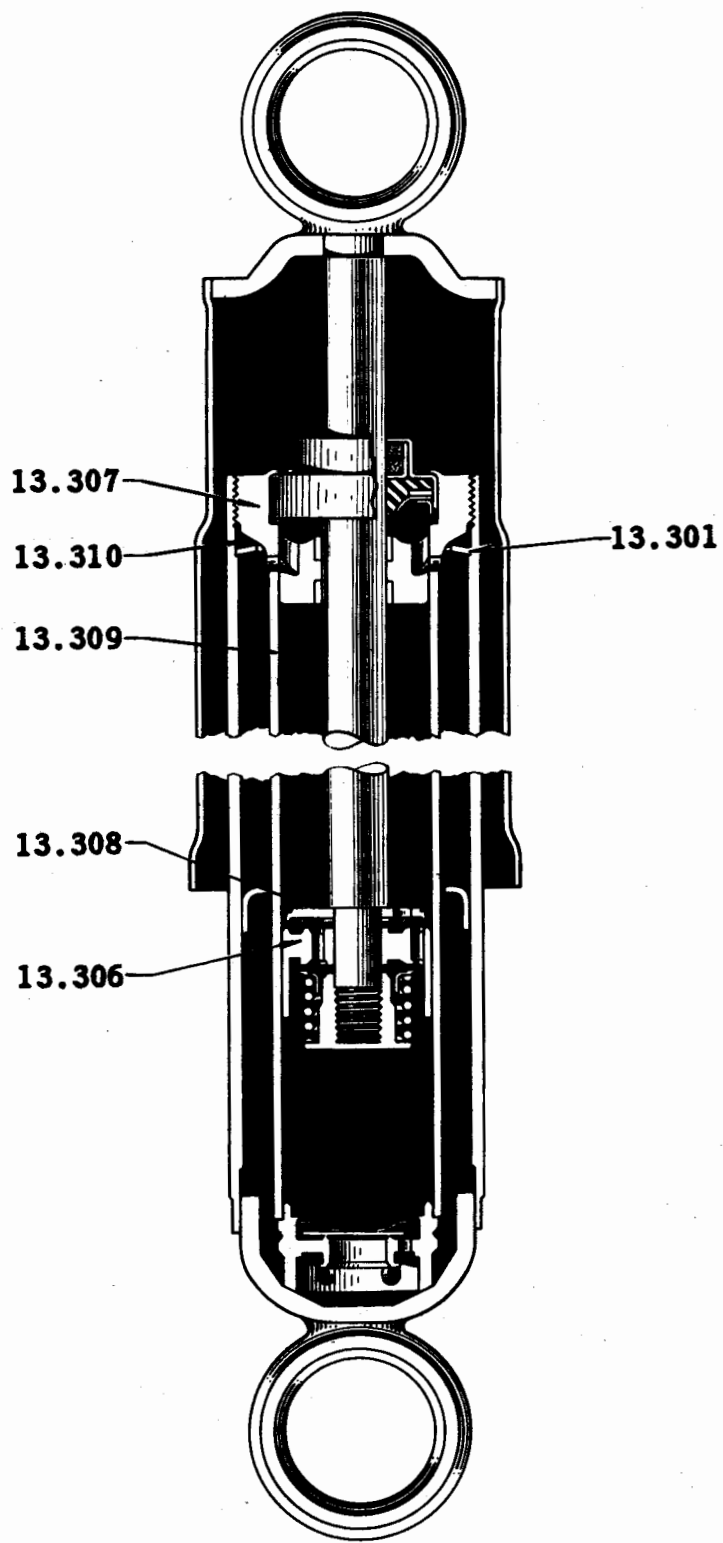
INDEX NO.	PART NO.	DESCRIPTION AND MODELS	PER CAR
SHOCK ABSORBER			
13.000	SHOCK ABSORBER ASSEMBLY, Front		
	●379672 Right 2000-10		1
	379134 Right 2000-10		1
	●379609 Right 2001-11		1
	379136 Right 2001-11		1
	364627 Right 2001A		1
	373947 Right 2003-6		1
	338194 Right 2003A		1
	367404 Right 2004-7		1
	364625 Right 2005-8-55		1
	364621 Right 2020-1		1
	364638 Right 2023		1
	●379671 Left 2000-10		1
	379133 Left 2000-10		1
	●379608 Left 2001-11		1
	379135 Left 2001-11		1
	364626 Left 2001A		1
	373946 Left 2003-6		1
	338193 Left 2003A		1
	367403 Left 2004-7		1
	364624 Left 2005-8-55		1
	364620 Left 2020-1		1
	364637 Left 2023		1
	7769 (50.003) Bolt 3/8-24 x 1-7/8 2000-1-3-6-10-11		2
	379411 (50.003) Bolt 1/2-20 x 2-1/4 2000-1-3-6-10-11		4
	379410 (50.003) Bolt 1/2-20 x 3 20th Sr.		x
	5510 (50.220) Lockwasher 1/2 2000-1-3-6-10-11		8
	5506 (50.220) Lockwasher 3/8 2000-1-3-6-10-11		2
	7337 (50.220) Lockwasher 1/2 2001A-3A-4-5-7-8-20-1-3-55		8
	7008 (50.100) Nut 1/2-20 2000-1-3-6-10-11		8
	7006 (50.100) Nut 3/8-24 2000-1-3-6-10-11		2
	338985 (50.003) Screw 1/2-20 x 2-7/8 2001A-3A-4-5-7-8-2020-1-3-55		2
	324486 (50.003) Screw 1/2-20 x 2-1/4 2001A-3A-4-5-7-8-2020-1-3-55		2
	6765 (50.003) Screw 1/2-20 x 2-1/4 2001A-3A-4-5-7-8-2020-1-3-55		2
	303943 (50.200) Shim 2001A-3A-4-5-7-8-2020-1-3-55		x
	316934 (50.200) Washer 1/2 2001A-3A-4-5-7-8-2020-1-3-55		4
13.001	SHOCK ABSORBER ASSEMBLY, Rear		
	371195 2000-10		2
	●379673 2000-10		2
	373995 2001-11		2
	●379626 2001-11		2
	364634 2001A-3A		2
	371197 2003-6		2
	367405 2004-7		2
	364647 (Side Carrier) 2005-8-55		2
	364633 2005-8-55		2
	364630 2020		2
	364632 2021		2
	364725 2023		2
	364631 2030		2
	6680 (50.230) Lockwasher 1/2		4
	7008 (50.100) Nut 1/2-20		4
	7156 (50.120) Nut 1/2-20		4
	347462 (50.200) Washer		4
13.0013	FLUID, Shock absorber (Delco or Monroe)		
	98325 (Quart) 20th Sr.		x
	98326 (Gallon) 20th Sr.		x
	98327 (Five Gallon) 20th Sr.		x
13.0016	FLUID, Shock absorber (Houdaille)		
	327942 (Quart) 20th Sr.		x
	327943 (Gallon) 20th Sr.		x
	327944 (Five Gallon) 20th Sr.		x

INDEX NO.	PART NO.	DESCRIPTION AND MODELS	PER CAR	INDEX NO.	PART NO.	DESCRIPTION AND MODELS	PER CAR
SHOCK ABSORBER—Continued				SHOCK ABSORBER—Continued			
13.002	BUSHING,	Shock absorber		13.024	VALVE,	Shock absorber (rear) (Cont'd)	
	347423	20th Sr.	8		367517	RHD (Comp.) #D-1 2001-1-11	2
13.005	SPRING,	Front friction			379634	RHD (Rebound) #2-3/4-2/8 2001-1-11	2
	362038	2001A-3A-4-5-7-8-20-1-3-55	2		379767	RHD (Comp.) #E-2 2000-10	2
	335079	(50.092) Bolt	2	STABILIZER			
	6903	(50.120) Locknut 7/16-20	2	13.1001	STABILIZER ASSEMBLY (Front)		
	335032	Washer	2		377294	2000-1-10-11	1
13.006	WASHER,	Front friction			358163	2001A-3A-4-5-7-8-55	1
	335032	2001A-3A-4-5-7-8-20-21-23-55	2		371192	2003-6	1
13.007	GRAVEL SHIELD,	Shock absorber (rear)			351694	2020-1	1
	347433	Right 2000-1-3-6-10-11-20	1		358162	2023	1
	351086	Right 2001A-3A-4-5-7-8-21-3-55	1		7091	(50.003) Bolt 7/16-20 x 3/4	4
	347432	Left 2000-1-3-6-10-11-20	1		6903	(50.120) Nut 7/16-20	4
	351085	Left 2001A-3A-4-5-7-8-21-3-55	1	13.102	GROMMET, Stabilizer front		
13.0165	PIN ASSEMBLY,	Shock absorber (rear)			351172	20th Sr.	x
	362666	Lower 2000-1-3-6-10-11-20	2	13.103	GUIDE, Front grommet		
	362668	Lower 2001A-3A-4-5-7-8-21-3-30-55	2		351173	20th Sr.	x
	347444	Upper 2001A-3A-4-5-7-8-21-3-30-55	2	13.104	RETAINER, Front grommet		
	3886	Washer 2001A-3A-4-5-7-8-21-3-30-55	2		351174	20th Sr.	x
13.017	PIN,	Shock absorber (rear)			7006	(50.100) Nut 3/8-24	2
	362667	Lower 2000-1-3-6-10-11-20	2	13.114	BEARING, Front rod		
	362669	Lower 2001A-3A-4-5-7-8-21-3-30-55	2		351695	(Rubber) 20th Sr.	2
	347429	Upper 2000-1-3-6-10-11-20	2	13.115	BRACKET, Front rod		
	351343	Upper 2001A-3A-4-5-7-8-21-3-30-55	2		351170	20th Sr.	2
13.0175	REPAIR KIT,	Shock absorber (tubular type)		13.1164	STABILIZER LATERAL ASSEMBLY		
	371463	(Monroe or Delco) 20th Sr.	x		373935	2000-1-3-6-10-11	1
13.023	VALVE,	Shock absorber (Front)		13.118	SHOCK ABSORBER, Stabilizer lateral		
	373943	(Comp.) #3-B-2 2000-1-10-11	2		335439	2001A-3A-4-5-7-8-21-3-30-55	1
	379412	(Comp.) #1-C-1 2001-1A-11	2		6902	(50.120) Nut 3/8-24	1
	351577	(Comp.) #1-1/2-B-1 2001A	2		338576	Screw 3/8-24 x 1-1/4	2
	379788	(Comp.) #1-B-7 2003-6	2	13.119	TUBE ASSEMBLY, Stabilizer lateral		
	379394	(Comp.) #1-AD-7 2003-6	2		348833	2001A-3A-4-5-7-8-21-3-30-55	1
	338321	(Comp.) #3-AD-5 2003A	2		5510	(50.220) Lockwasher 1/2 20th Sr.	x
	354880	(Comp.) #2-A-3 2004-7	2		7008	(50.100) Nut plain 1/2-20 20th Sr.	x
	367526	(Comp.) #2-Aa-3 2005-8-55	2		7006	(50.100) Nut 3/8-24 2000-1-3-6-10-11	x
	338065	(Comp.) #2-A-1 2020-1	2	13.120	STABILIZER (TORSIONAL) REAR ASSEMBLY		
	367527	(Comp.) #1-3/4-A-3 2023	2		356260	2001A-3A-4-5-7-8-55	1
	242234	(Rebound) #3-C 2000-1-10-11	2		7091	(50.003) Bolt 7/16-20 x 3/4	4
	367522	(Rebound) #2-E-5 2001A	2		6903	(50.120) Nut 7/16-20	4
	379393	(Rebound) #3-D 2003-6	2	13.1213	BEARING, Stabilizer (rear)		
	225905	(Rebound) #2-H 2003-6	2		351695	2001A-3A-4-5-7-8-55	2
	327874	(Rebound) #3-E-5 2003A	2	13.1214	BRACKET, (Rear) bearing		
	338779	(Rebound) #3-B-5 2004-7	2		351170	2001A-3A-4-5-7-8-55	2
	354875	(Rebound) #3-B-D-5 2005-8-55	2	13.1215	GROMMET, Stabilizer (rear)		
	367523	(Rebound) #3-1/2-A-5 2020-1	2		351172	2001A-3A-4-5-7-8-55	4
	367524	(Rebound) #3-1/2-B-5 2023	2	13.1216	GUIDE, (Rear) grommet		
	379633	RHD (Comp.) #1-E-1 2001-11	2		351173	2001A-3A-4-5-7-8-55	4
	341061	RHD (Comp.) #1-D-1 2000-10	2	13.1217	RETAINER, (Rear) grommet		
	185167	RHD (Rebound) #2-E 2000-1-10-11	2		351174	2001A-3A-4-5-7-8-55	4
	379412	RHD (Comp.) #1-C-1 2011	2		7006	(50.100) Nut 3/8-24	2
13.024	VALVE,	Shock absorber (rear)		13.206	END CAP, Shock absorber (front)		
	351575	(Comp.) #A-3 2000-10	2		D-44932	20th Sr.	4
	367519	(Comp.) #A-6 2001-4-7-11	2		D-44933	Gasket	4
	367517	(Comp.) #D-1 2001A-3A	2	13.210	FILLER PLUG, Shock absorber (front)		
	379790	(Comp.) #D-2 2003-6	2		D-5335897	20th Sr.	2
	379357	(Comp.) #Ad-3 2003-6	2		D-827799	Gasket	2
	367518	(Comp.) #B-6 2005-8-55	2	13.301	WASHER, Shock absorber (rear) reservoir tube gasket		
	351569	(Comp.) #A-2 2020-1-3	2		378522	20th Sr.	2
	379281	(Rebound) #4-5/4 2000-10	2				
	379282	(Rebound) #2-5/4 2001-11	2				
	362326	(Rebound) #0-5/6 2001A-3A	2				
	379356	(Rebound) #4-6/4 2003-6	2				
	379789	(Rebound) #2-4/4-2/8 2003-6	2				
	367520	(Rebound) #2-5/6 2004-7	2				
	367514	(Rebound) #2-1/2-6/6 2005-8-55	2				
	367511	(Rebound) #2-4/4 2020-1-3	2				
	379768	RHD (Rebound) #2-2/4-2/8 2000-10	2				

INDEX NO.	PART NO.	DESCRIPTION AND MODELS	PER CAR	INDEX NO.	PART NO.	DESCRIPTION AND MODELS	PER CAR
STABILIZER—Continued				STABILIZER—Continued			
13.306	PISTON, Shock absorber (rear)			13.308	WASHER, Shock absorber (rear) support		
	378526 20th Sr.		2		378524 20th Sr.		2
					378528 Spacer 20th Sr.		2
13.307	GUIDE AND SEAL ASSEMBLY, Shock absorber (rear) piston rod			13.309	TUBE, Shock absorber (rear) pressure		
	378527 20th Sr.		2		378529 20th Sr.		2
	378523 Nut 20th Sr.		2		378525 Sleeve 20th Sr.		2
				13.310	GASKET, Shock absorber (rear) reservoir tube		
					378530 20th Sr.		2



SHOCK ABSORBER ASSEMBLY - FRONT



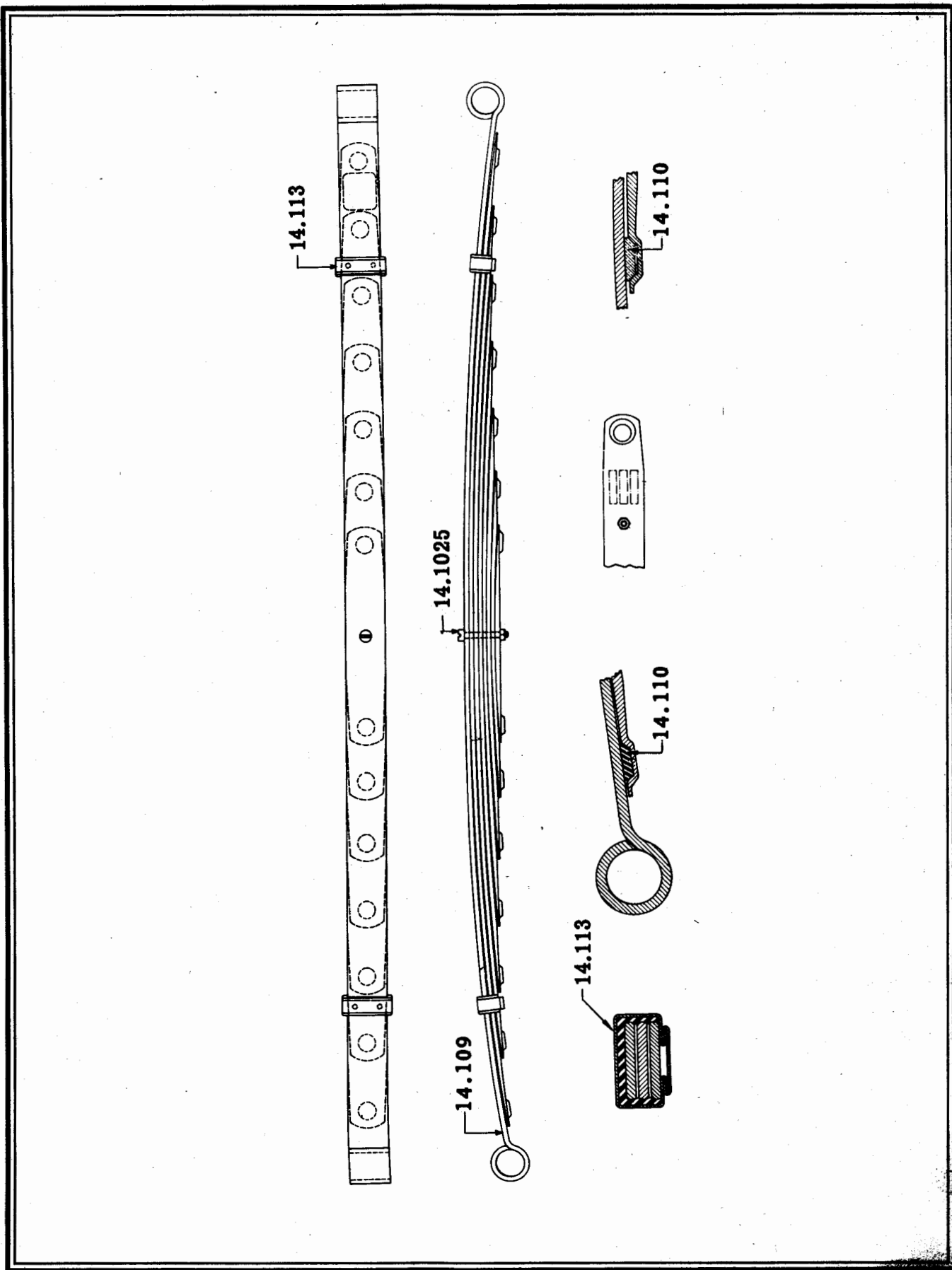
SHOCK ABSORBER - REAR

INDEX NO.	PART NO.	DESCRIPTION AND MODELS	PER CAR	INDEX NO.	PART NO.	DESCRIPTION AND MODELS	PER CAR
FRONT				FRONT—Continued			
14.000	SPRING, Front			14.009	BUMPER ASSEMBLY, Spring front rebound		
	377253 (1740# x 81# rate) 2000-10	2		351689 2000-1-3-6-10-11-20-1	2
	373862 (1890# x 81 rate) 2001-11	2		333074 2001A-3A-4-5-7-8-23-55	2
	326925 (2200# x 130 rate) 2001A	2	14.010	SPACER, Spring front		
	367740 (2030# x 90# rate) 2003-6	2		326836 2001A-3A	1
	377339 (2100# x 90 rate) 2003-6	2	REAR			
	338897 (2500# x 130 rate) 2003A	2	14.100	SPRING, Rear - less covers		
	354690 (1870# x 95 rate) 2004-7	2		378641 (830# rate 105#) 2000-1	2
	354691 (1990# rate 100#) (Side carrier) 2004-7	..	2		378640 (870# rate 105#) 2000-1	2
	351256 (2050# x 100 rate) 2005-8-55	2		362516 (1350# rate 130#) 2001A-3A	2
	354710 (2175# rate 120) (Side carrier) 2005-8-55	2		362515 (1800# rate 170#) 2001A-3A	2
	362823 (1430# x 69# rate) 2020	2		362517 (2000# rate 170#) 2001A-3A	2
	348377 (1525# x 74# rate) 2021	2		379621 (2200# rate 165#-175#) 2001A-3A	2
	326860 (1625# rate 77#) (Side carrier) 2021-30	..	2		379174 (980# rate 110#) (Use on 1522-72) 2003-6	..	2
	335692 (1750# x 77# rate) 2023	2		379175 (940# rate 110#) (Use on 1525-75) 2003-6	..	2
	338166 (1870# rate 90#) (Side carrier) 2023	2		367726 (1000# rate 110#) 2004-7	2
14.001	ADAPTOR, Spring (front)				367961 (1200# rate 122#) 2005-8-55	2
	348287 (Side carrier) 2021-30	4		364663 (1320# rate 122#) 2005-8-55	2
14.002	BUMPER ASSEMBLY, Spring front				378640 (870# rate 105#) (Use on 1502-12) 2010-1	..	2
	373881 2000-1-3-6-10-11	2		378641 (830# rate 105#) (Use on 1505-15) 2010-1	..	2
	333038 2001A-3A-4-5-7-8-23-55	2		367721 (750# rate 100#) 2020	2
	358170 2020-1	2		367723 (820# rate 100#) 2021	2
	5506 (50.220) Lockwasher 3/8 2001A-3A-4-5-7-8-23-55	2		364660 (880# rate 100#) 2023	2
	7006 (50.100) Nut 3/8-24 2001A-3A-4-5-7-8-23-55	2		364618 (1200# rate 120#) 2030	2
14.003	SEAT, Spring front bumper			14.1015	BLOCK, Spring rear		
	348259 2001A-3A-4-5-7-8-23-55	2		362660 Left 2000-1-10-11	1
14.004	STRIKER, Spring front bumper (lower)				362664 Left 2001A-3A-4-5-7-8-55	1
	323050 2001A-3A-4-5-7-8-23-55	2		367727 Left 2003-6	1
14.006	RETAINER, Spring front compression bumper				362662 Left 2021-23-30	1
	216724 2000-1-3-6-10-11-20-1	2		362661 Right 2000-1-10-11	1
14.007	BRACKET, Spring front compression bumper striker & stabilizer				362665 Right 2001A-3A-4-5-7-8-55	1
	351163 Right 2020-1-3	1		367728 Right 2003-6	1
	351162 Left 2020-1-3	1		362663 Right 2021-3-30	1
14.008	INSULATOR, Spring front			14.1025	BOLT AND NUT, Spring rear - center		
	367709 2000-1-3-6-10-11	2		364251 20th Sr.	2
	326706 2001A-3A-4-5-7-8-23-55	2	14.105	BUSHING, Spring rear		
	341821 2020-1	2		347126 2000-1-3-6-10-11-20-1-3	12
	326706 (Side carrier) 2021	2		354999 2001A-3A-4-5-7-8-55	12
	326706 2030	2	14.1051	BOLT, Spring rear bushing		
					347431 Front 2000-1-3-6-10-11-20-1-3	2

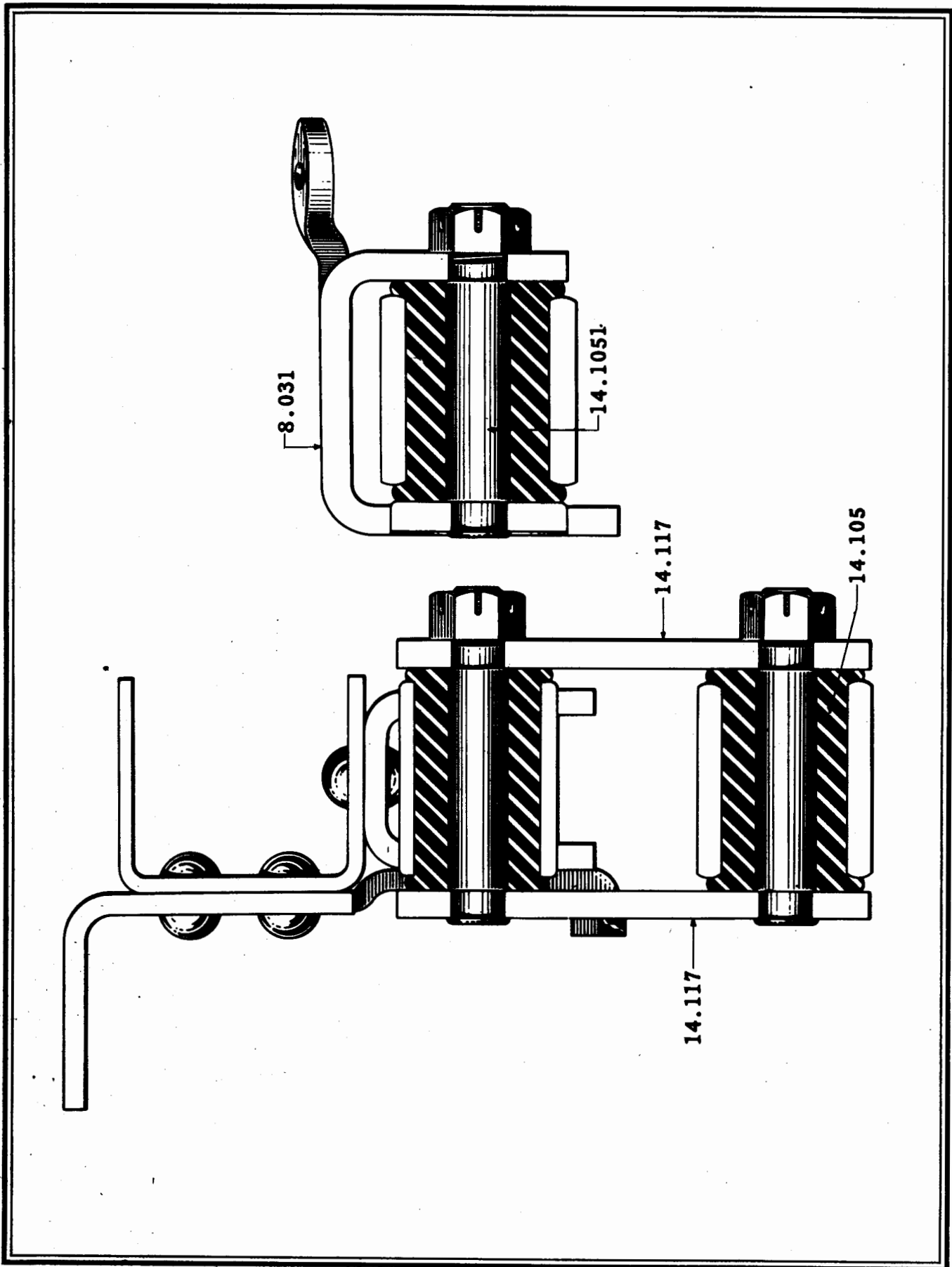
REAR SPRING LEAF SEPARATOR IDENTIFYING CHART

The location of the Separator, counting from front to rear of Spring, is shown opposite the Spring Part Number and under the Separator Part Number.

REAR SPRING PART NUMBER	PART NUMBER AND DESCRIPTION OF SEPARATOR					
	347427 RUBBER (5/16)	354799 RUBBER (3/8)	327758-(5%) ANTIMONY LEAD	327954 (7-1/2%) ANTIMONY LEAD	327726 (10%) ANTIMONY LEAD	358492 SILENITE
362515	All (18 Pcs.)
362516	All (18 Pcs.)
362517	All (18 Pcs.)
364618	1-16	2-3-4-5-6-7-8-9-10-11-12-13-14-15
364660	2-3-4-11-12-13	7-8	6-9	5-10	1-14
364663	1-2-6-7-8-11-12-13-17-18	9-10	3-4-5-14-15-16
367721	4-9	6-7	5-8	1-2-3-10-11-12
367722	1-12	6-7	5-8	4-9	2-3-10-11
367723	4-9	6-7	5-8	1-2-3-10-11-12
367726	3-4-5-12-13-14	8-9	7-10	6-11	1-2-15-16
367961	1-2-6-7-8-11-12-13-17-18	9-10	3-4-5-14-15-16
378640	1-12	6-7	5-8	4-9	2-3-10-11
378641	1-12	6-7	5-8	4-9	2-3-10-11
379174	1-12	6-7	5-8	4-9	2-3-10-11
379175	1-12	6-7	5-8	4-9	2-3-10-11
379621	All (18 Pcs.)

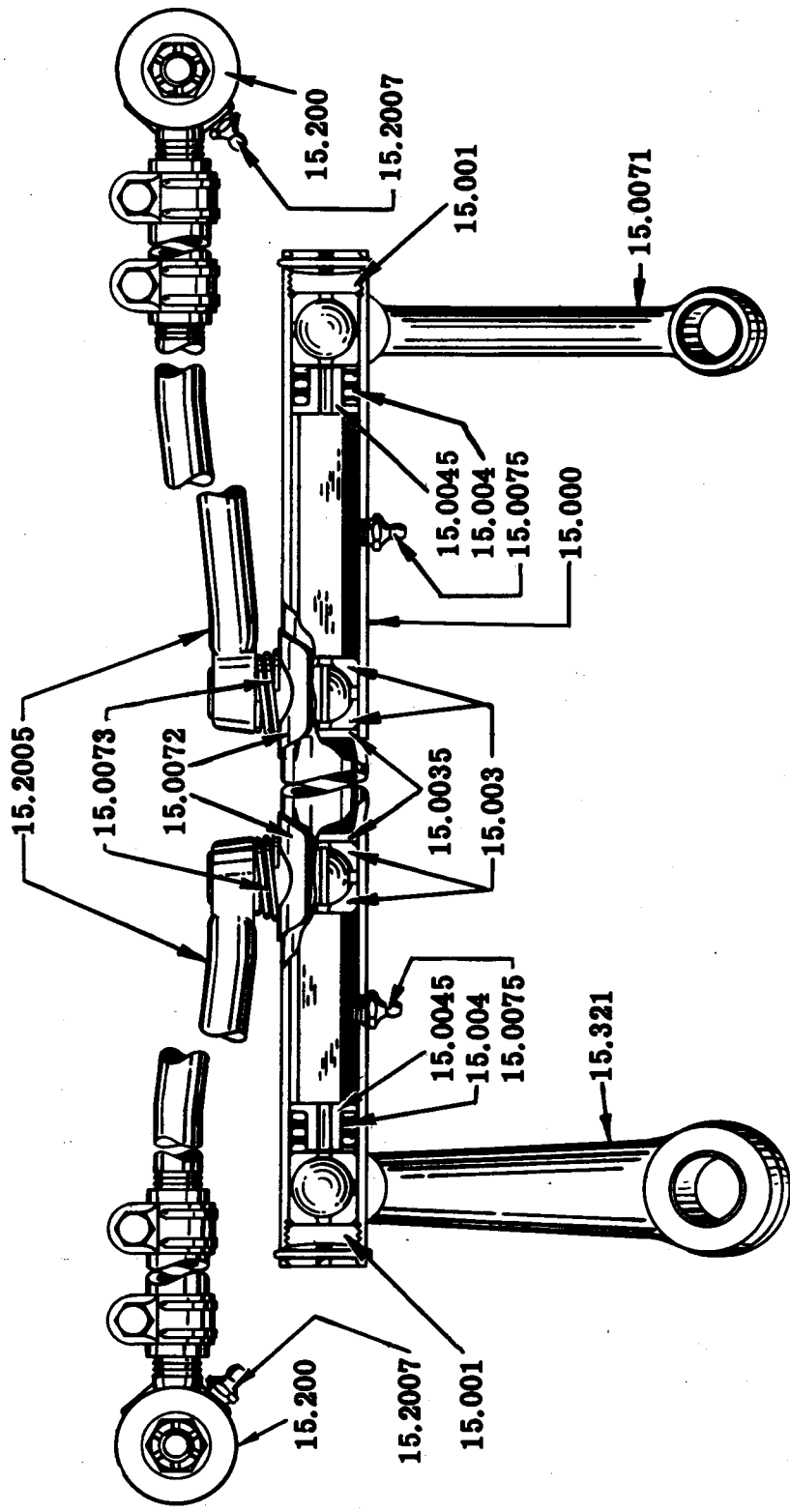


REAR SPRING

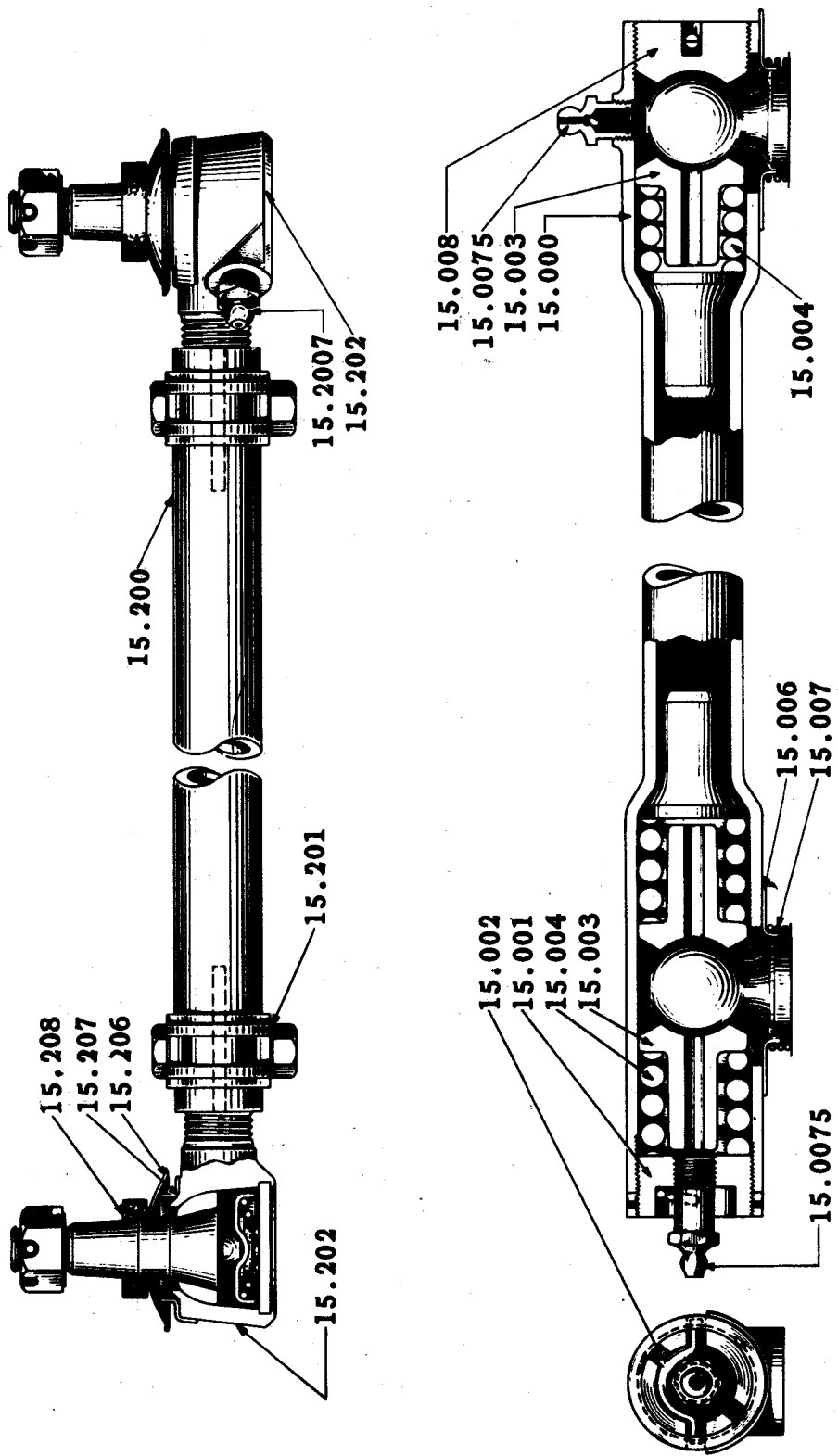


REAR SPRING SHACKLE

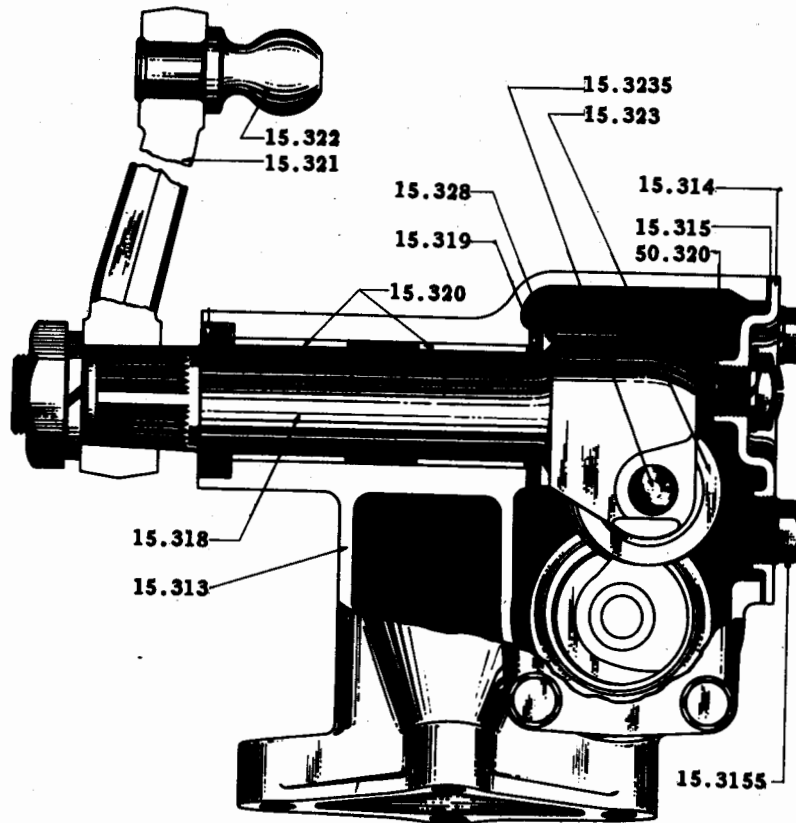
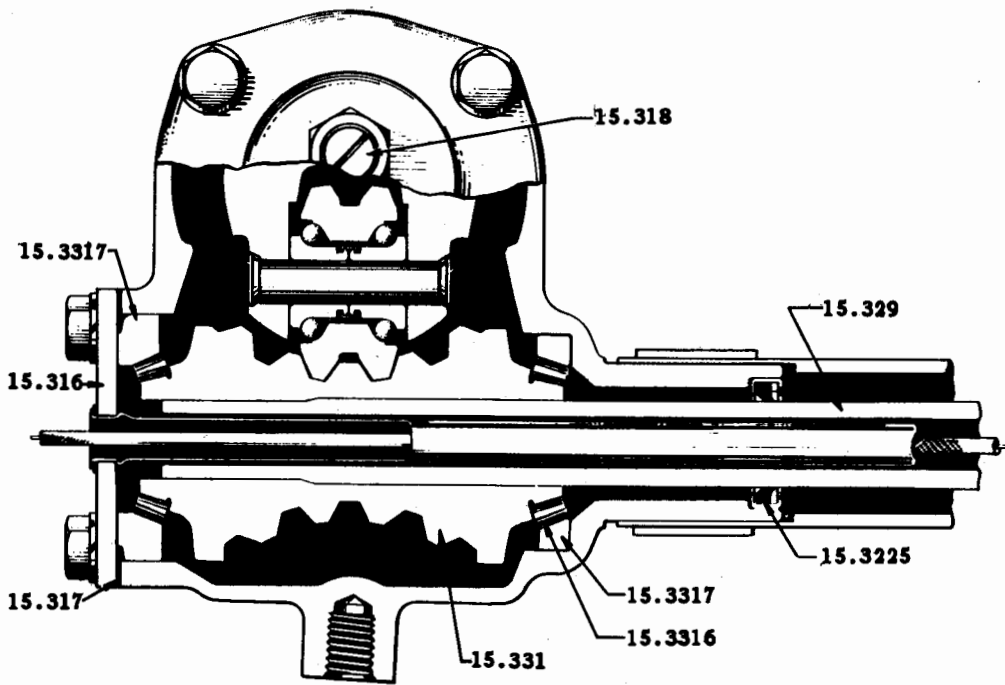
INDEX NO.	PART NO.	DESCRIPTION AND MODELS	PER CAR	INDEX NO.	PART NO.	DESCRIPTION AND MODELS	PER CAR
REAR—Continued				CONNECTING ROD			
14.1051		BOLT, Spring rear bushing (Cont'd)		15.000		ROD ASSEMBLY, Steering connecting	
	330892	Front 2001A-3A-4-5-7-8-55	2		373749	2000-1-3-6-10-11	1
	7156	(50.120) Locknut 2000-1-3-6-10-11-20-1-3	6		316251	LHD 2001A-3A-4-5-7-8-20-1-3-55	1
	7157	(50.120) Locknut 2001A-3A-4-5-7-8-55	6		316643	RHD 2001A-3A-4-5-7-8-20-1-3-55	1
14.106		CLIP, Spring rear		15.001		PLUG, Rod adjusting	
	351716	2000-1-10-11-20	4		371323	2000-1-3-6-10-11	2
	324059	2001A-3A-5-8-55	4		316253	(Inner) 2001A-3A-4-5-7-8-20-1-3-55	1
	320747	2003-4-6-7-21-3-30	4		320143	(Outer) 2001A-3A-4-5-7-8-20-1-3-55	1
	114608	Nut 1/2-20	8		4312	(50.240) Cotter Pin 1/8 x 1-3/4	1
14.109		LEAF, Spring rear main		15.002		LOCK WIRE, Rod adjusting plug	
	354406	(54-3/8 x 2 x 1.130 eye) 2000-1-3-6-10-11-20-1-3	2		316254	(Inner) 2001A-3A-4-5-7-8-20-1-3-55	1
	382470	(54-3/8 x 2 x 1-3/8 eye) 2001A-3A-4-5-7-8-55	2	15.003		SEAT, Rod ball	
14.110		SEPARATOR, Spring rear leaf (See chart)			371330	2000-1-3-6-10-11	8
	327753	(5% Antimony Lead) 20th Sr.	x		316255	(Inner) 2001A-3A-4-5-7-8-20-1-3-55	2
	327954	(7-1/2% Antimony Lead) 20th Sr.	x		316256	(Outer) 2001A-3A-4-5-7-8-20-1-3-55	1
	327726	(10% Antimony Lead) 20th Sr.	x	15.0035		PLUG, Steering connecting rod ball seat	
	347427	(5/16 thick Rubber) 20th Sr.	x		371329	2000-1-3-6-10-11	2
	354799	(3/8 thick Rubber) 20th Sr.	x	15.004		SPRING, Rod ball seat	
	358492	(Silenite) 20th Sr.	x		373704	2000-1-3-6-10-11	2
14.111		OIL RETAINER ASSEMBLY, Spring rear leaf Separator			316259	(Inner) 2001A-3A-4-5-7-8-20-1-3-55	2
	330614	20th Sr.	x		316260	(Outer) 2001A-3A-4-5-7-8-20-1-3-55	1
14.113		CLIP, Spring rear rebound		15.0045		BUMPER, Steering connecting rod ball seat spring	
	375854	(Intermediate) 20th Sr.	4		371332	2000-1-3-6-10-11	2
	375855	(Center) 2000-1-3-6-10-11	2	15.006		COVER, Rod dust	
	375856	(Center) 2001A-3A-5-8	2		316262	2001A-3A-4-5-7-8-20-1-3-55	2
14.114		BUMPER, Spring rear rubber		15.007		SPRING, Rod dust cover	
	355047	20th Sr.	2		316684	2001A-3A-4-5-7-8-20-1-3-55	2
14.116		CLIP, Spring rear rubber bumper		15.0071		LEVER AND BALL STUD ASSEMBLY, Steering connecting rod idler	
	320394	20th Sr.	4		373313	2000-1-3-6-10-11	1
	7006	(50.100) Nut 3/8-24 2001A-3A-4-5-7-8-20-1-3-55	4	15.0072		DUST COVER, Steering connecting rod idler lever ball stud	
	7388	(50.003) Screw 3/8-24 x 1 2000-1-3-6-10-11	4		371325	2000-1-3-6-10-11	1
	7080	(50.003) Screw 3/8-24 x 1-1/8 2001A-3A-4-5-7-8-20-1-3-55	4	15.0073		SPRING, Steering connecting rod idler lever ball stud dust cover	
14.117		SHACKLE, Spring rear			373702	2000-1-3-6-10-11	1
	347412	2000-1-3-6-10-11-20-1-3	2	15.0074		BUSHING ASSEMBLY, Steering connecting rod idler lever	
	354975	2001A-3A-4-5-7-8-55	2		371384	2000-1-3-6-10-11	1
14.1170		SHACKLE EQUIPMENT, Spring rear		15.00742		SEAL, Steering connecting rod idler lever bushing	
	356860	2000-1-3-6-10-11-20-1-3	1		378855	2000-1-3-6-10-11	1
14.119		LINK, Spring rear shackle		15.00744		SPRING, Steering connecting rod idler lever bushing	
	347414	2000-1-3-6-10-11-20-1-3	4		382446	2000-1-3-6-10-11	1
	354974	2001A-3A-4-5-7-8-55	4	15.00746		SUPPORT, Steering connecting rod idler lever	
					371368	2000-1-3-6-10-11	1
					5506	(50.220) Lockwasher 3/8	2
					7080	(50.003) Screw 3/8-24 x 1-1/8	2
				15.0075		OILER, Steering connecting rod	
					216548	(50.700) 2000-1-3-6-10-11	2
					303748	(50.700) 2001A-3A-4-5-7-8-20-1-3-55	1
				15.0076		RESERVOIR, Rod oil	
					316261	2001A-3A-4-5-7-8-20-1-3-55	2
				15.008		PLUG, Rod outer adjusting	
					320143	2001A-3A-4-5-7-8-20-1-3-55	1
				15.009		SPACER, Steering connecting rod	
					373705	(Long) 2000-1-3-6-10-11	1
					373706	(Short) 2000-1-3-6-10-11	1



STEERING CROSS TUBE - (CLIPPER TYPE)



STEERING CROSS TUBE ASSEMBLY



STEERING GEAR

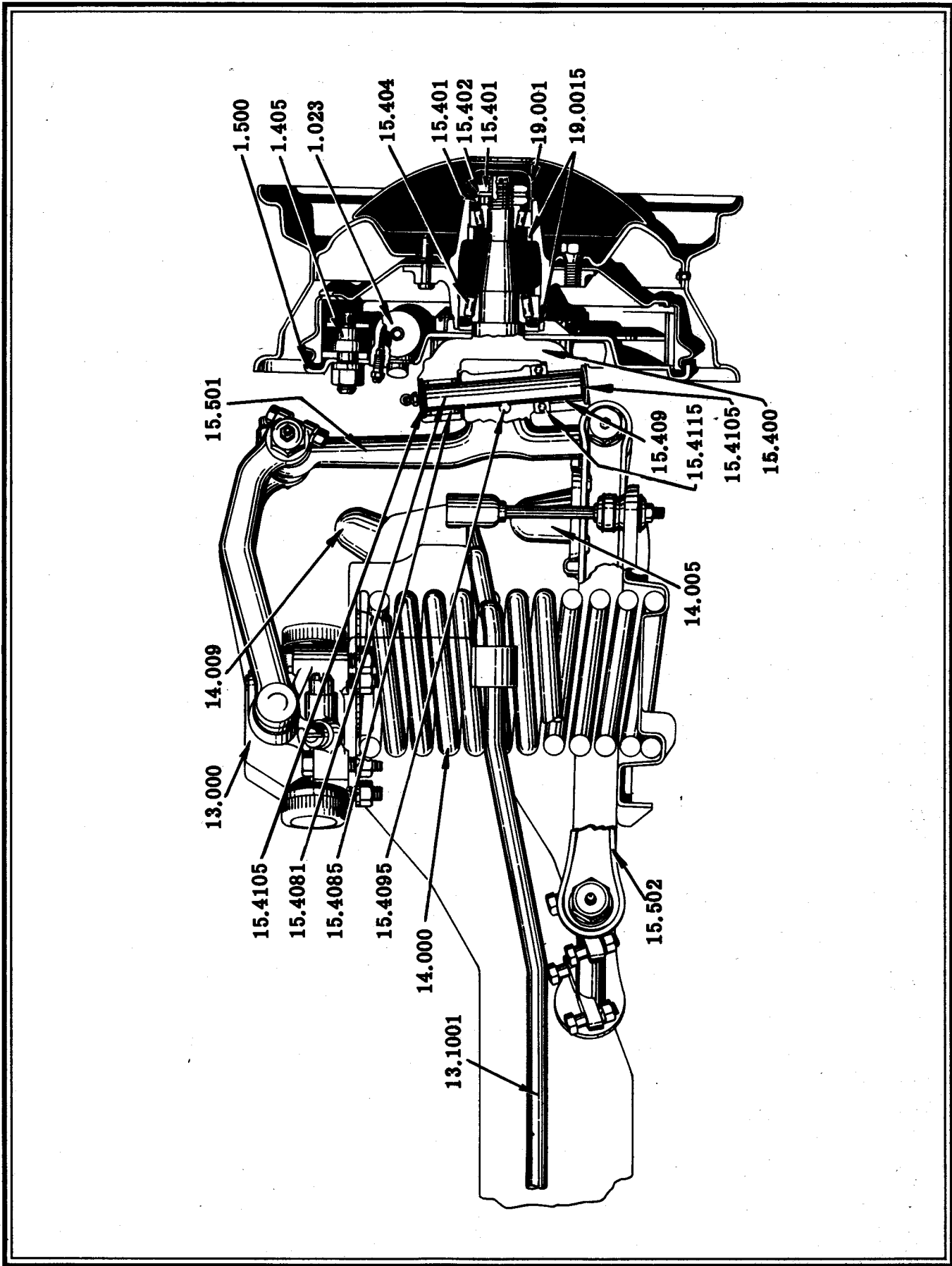
INDEX NO.	PART NO.	DESCRIPTION AND MODELS	PER CAR	INDEX NO.	PART NO.	DESCRIPTION AND MODELS	PER CAR
STEERING CRANK				GEAR—Continued			
15.100		STEERING CRANK & BALL STUD ASSEMBLY		15.3002		STEERING COLUMN ASSEMBLY (Cont'd)	
	324041	LHD 2001A-3A-4-5-7-8-20-1-3-55	1	378282	LHD (Blue Gray) 2021-3	1	
	324105	RHD 2001A-3A-4-5-7-8-20-1-3-55	1	378306	LHD (Green Gray) 2021-3	1	
	338833	Washer	2	377570	LHD (Tan) 2021-3	1	
15.101		BALL STUD, Crank		377980	LHD (Use on body 1590) 2055	1	
	302127	2001A-3A-4-5-7-8-20-1-3-55	1	377570	LHD (Use on body 1591) 2055	1	
15.103		PIN, Crank		379067	RHD (Tan) 2000-1-10-11	1	
	348936	2001A-3A-4-5-7-8-20-1-3-55	1	378329	RHD (Tan) 2001A	1	
	302739	Alemite Zerk	1	377993	RHD (Tan) 2003-4-5	1	
	4308	(50.240) Cotter Pin 1/8 x 1-1/4	1	378386	RHD (Chrome & Brown) 2007-8	1	
	348937	Nut	1	378540	RHD (Black) 2020	1	
	324051	Spring washer	1	364208	RHD (Blue Gray) 2020	1	
	121265	Washer	1	364212	RHD (Green Gray) 2020	1	
15.106		SLEEVE, Crank pin		362327	RHD (Tan) 2020	1	
	338835	2001A-3A-4-5-7-8-20-1-3-55	1	377992	RHD (Black) 2021	1	
CROSS TUBE				CLAMP ASSEMBLY, Steering column			
15.200		TUBE ASSEMBLY, Steering		303680	2001A-3A-4-5-7-8-20-1-3-55	1	
	373747	Right 2000-1-3-6-10-11	1	5504	(50.220) Lockwasher 5/16	1	
	373748	Left 2000-1-3-6-10-11	1	7005	(50.100) Nut 5/16-24	1	
	348739	2001A-3A-4-5-7-8-20-1-3-55	2	5733	(50.003) Screw 5/16-24 x 1-7/8	1	
15.2005		TUBE, Steering cross		15.3015	PLATE, Steering column direction signal switch mounting		
	371339	2000-1-3-6-10-11	2	377737	LHD 20th Sr.	1	
	234541	2001A-3A-4-5-7-8-20-1-3-55	2	15.302	GROMMET, Steering column		
15.2006		NUT, Steering cross tube ball stud		373157	LHD 2000-1-10-11	1	
	371533	2000-1-3-6-10-11	2	338023	LHD 2001A-3A-4-5-7-8-20-1-3-55	1	
15.2007		OILER, Tube bearing		373156	LHD 2003-6	1	
	216548	20th Sr.	4	378848	RHD 2000-1-10-11	1	
15.201		CLAMP, Tube		338085	RHD 2001A-3A-4-5-7-8-21-3-55	1	
	303475	20th Sr.	4	338087	RHD 2020	1	
	5504	(50.220) Lockwasher 5/16	4	7945	(50.300) Screw #10 x 1-1/2 2000-1-3-6-10-11	2	
	7005	(50.100) Nut 5/16-24	4	6773	(50.300) Screw #8 x 1" 2001A-3A-4-5-7-8-20-1-3-55	1	
	5890	(50.003) Screw 5/16-24 x 1-1/4	4	15.303	BRACKET, Steering column to instrument board		
15.202		SOCKET ASSEMBLY, Cross tube		378988	LHD 2000-1-10-11	1	
	377374	Right (RH thread) 2000-1-3-6-10-11	1	378005	LHD (Tan) 2001A-3A-4-5-55	1	
	377375	Left (LH thread) 2000-1-3-6-10-11	1	378249	LHD (Tan) 2003	1	
15.2025		SLEEVE, Steering cross tube (adjusting)		378479	LHD (Brown) 2006	1	
	371336	2000-1-3-6-10-11	2	379078	LHD (Brown) 2007-8	1	
15.206		DUST COVER, Tube stud		378365	LHD (Black) 2020	1	
	354977	20th Sr.	4	377685	LHD (Blue Gray) 2020	1	
15.207		SEAT, Tube stud dust cover		377686	LHD (Green Gray) 2020	1	
	348745	2001A-3A-4-5-7-8-20-1-3-55	4	377485	LHD (Tan) 2020	1	
15.208		WASHER, Tube stud dust		378326	LHD (Black) 2021-3	1	
	317812	2000-1-3-6-10-11	4	377680	LHD (Blue Gray) 2021-23	1	
GEAR				CLAMP ASSEMBLY, Steering column			
15.3002		STEERING COLUMN ASSEMBLY		377681	LHD (Green Gray) 2021-23-30	1	
	377445	LHD (Tan) 2000-1-10-11	1	378464	RHD 2000-1-10-11	1	
	377979	LHD (Tan) (Not used on 1570) 2001A-3A-4-5 ..	1	378006	RHD (Tan) 2001A-3A-4-5	1	
	377981	LHD (Tan) 2003	1	378348	RHD (Brown) 2007-8	1	
	377980	LHD (Tan) 2005	1	378313	RHD (Black) 2020-1-3	1	
	▲382371	LHD (Brown) 2006	1	364214	RHD (Blue Gray) 2020-1-3	1	
	378371	LHD (Chrome & Brown) 2006	1	364215	RHD (Green Gray) 2020-1-3	1	
	378358	LHD (Chrome & Brown) (Use on bodies 1532-50) 2007-8	1	362814	RHD (Tan) 2020-1-3	1	
	378357	LHD (Chrome & Brown) (Use on bodies 1542-51) 2007-8	1	5504	(50.220) Lockwasher 5/16 20th Sr.	1	
	378237	LHD (Black) 2020	1	6044	(50.230) Lockwasher 5/16 2001A-3A-4-5-7-8-20-1-3-55	1	
	378235	LHD (Blue Gray) 2020	1	6783	Lockwasher 5/16 LHD 2001A-3A-4-5-7-8-20-1-3-55	2	
	378236	LHD (Green Gray) 2020-30	1	7005	(50.100) Nut 5/16-24 2000-1-3-6-10-11	2	
	377824	LHD (Tan) 2020	1	7385	(50.003) Screw 5/16-24 x 1-1/4 2000-1-3-6-10-11	2	
	378307	LHD (Black) 2021-3	1				

▲ Used on Clipper Four Door Sedans built after Jan. 1, 1942 only. All other body types have chrome trim.

INDEX NO.	PART NO.	DESCRIPTION AND MODELS	PER CAR	INDEX NO.	PART NO.	DESCRIPTION AND MODELS	PER CAR
GEAR—Continued				GEAR—Continued			
15.303		BRACKET, Steering column to instrument board (Cont'd)		15.3075		SHROUD, Steering column (Cont'd)	
	7558 (50.004)	Screw 5/16-24 x 1-1/4 LHD 2001A-3A-4-5-7-8-55	1	377772	RHD (Green Gray) 2020-3	1	
	7828 (50.003)	Screw 5/16-24 x 1-1/8 LHD 2001A-3A-4-5-7-8-20-1-3-55	2	377768	RHD (Tan) 2020-3	1	
	#379977	Screw 5/16-24 LHD 2020-1-3	1	7650 (50.300)	Screw #6 x 1/4 LHD 2000-1-3-6-10-11-21-3	x	
	379978	Clamping Screw LHD 2020-1-3	1	7563 (50.300)	Screw #8 x 1/4 RHD 2001A-3A-4-5-7-8-20-1-3-55	1	
	#362890	Screw 5/16-24 2001A-3A-4-5-7-8-55	1	15.3076	GROMMET, Shroud		
	3909	Washer 5/16 2020-1-3	x	356442	2000-1-3-6-10-11	1	
	6359 (50.200)	Washer 5/16 Right side 2000-1-3-6-10-11	1	378011	LHD (Lower Tan) 2001A-3A-4-5-55	1	
	6359 (50.200)	Washer 5/16 RHD 2001A-3A-4-5-7-8-55	2	378347	LHD (Lower Brown) 2007-8	1	
	7861 (50.003)	Screw 5/16-24 x 1" RHD 2001A-3A-4-5-7-8-20-1-3-55	2	378366	LHD (Lower Black) 2020	1	
	362233	Clamping screw RHD 2001A-3A-4-5-7-8-20-1-3-55	1	377683	LHD (Lower Blue Gray) 2020	1	
	#379979	Screw RHD 2001A-3A-4-5-7-8-20-1-3-55	1	377684	LHD (Lower Green Gray) 2020	1	
15.304		ANTI-SQUEAK, Instrument board bracket		377486	LHD (Lower Tan) 2020	1	
	373297	LHD 2000-1-10-11	1	378315	LHD (Lower Black) 2021-3	1	
	373456	LHD 2003-6	1	377677	LHD (Lower Blue Gray) 2021-3	1	
15.3045		CAP, Steering column (to instrument board) bracket		377678	LHD (Lower Green Gray) 2021-3-30	1	
	379733	LHD (Supersedes 378979) 2000-1-10-11	1	356442 (Upper)	2001A-3A-4-5-7-8-20-1-3-55	1	
	378250	LHD (Tan) 2003	1	378594	RHD (Lower tan) 2001A-3A-4-5-55	1	
	378385	LHD (Brown) 2006	1	378338	RHD (Lower Brown) 2007-8	1	
	378517	RHD 2000-1-10-11	1	378012	RHD (Lower Black) 2020-1-3	1	
	6044 (50.230)	Lockwasher 5/16	2	364167	RHD (Lower Blue Gray) 2020-1-3	1	
	7719 (50.004)	Screw 5/16-18 x 1"	2	364168	RHD (Lower Green Gray) 2020-1-3	1	
15.305		GROMMET, To instrument board bracket (rubber)		362274	RHD (Lower Tan) 2020-1-3	1	
	304043	RHD 2001A-3A-4-5-7-8-55	2	15.308	INSULATOR, Toe board		
15.306		INSULATOR, To instrument board bracket		330410	(LHD) 2001A-3A-4-5-7-8-21-3-55	1	
	362210	RHD 2001A-3A-4-5-7-8-55	1	333219	(LHD) 2020	1	
15.307		SPACER, To instrument board bracket		15.309	PLATE, Toe board insulator		
	354179	LHD 2001A-3A-4-5-7-8-20-1-3-55	2	364064	(LHD) 2001A-3A-4-5-7-8-21-3-55	1	
15.3072		BRACE, Steering column dash		333220	(LHD) 2020	1	
	376130	2000-1-3-6-10-11	1	364158	(RHD) 2001A-3A-4-5-7-8-21-3-55	1	
15.3074		INSULATION, Steering column (to dash)		364169	(RHD) 2020	1	
	373388	LHD 2000-1-10-11	1	15.3100	BOLT, Steering gear assembly attaching		
	373389	LHD 2003-6	1	324329	LHD 2000-1-3-6-10-11	4	
	378856	RHD 2000-1-10-11	1	324335	LHD (Long) 2001A-3A-4-5-7-8-21-3-55	3	
15.3075		SHROUD, Steering column		362812	LHD (Short) 2001A-3A-4-5-7-8-21-3-55	1	
	378251	LHD (Tan) 2000-1-3-10-11	1	362810	LHD (Long) 2020	3	
	378319	LHD (Tan) (Not used on 1570) 2001A-3A-4-5	1	362811	LHD (Short) 2020	1	
	378008	LHD (Tan) (Not used on 1571) 2005	1	324329	RHD 2000-1-1A-3A-4-5-7-8-10-11-21-3-55	4	
	378377	LHD (Chrome) 2006	1	324328	RHD 2020	4	
	▲382380	LHD (Grained) 2006	1	5508 (50.220)	Lockwasher 20th Sr.	x	
	378320	LHD (Use on bodies 1542-51) 2007-8	1	7007 (50.100)	Nut 7/16-20 20th Sr.	4	
	378330	LHD (Use on bodies 1532-50) 2007-8	1	362808	(50.100) Nut 7/16-20 LHD 2001A-3A-4-5-7-8-20-1-3-55	3	
	378007	LHD (Black) 2020-1-3	1	6614 (50.200)	Washer 7/16 RHD 2001A-3A-4-5-7-8-20-1-3-55	4	
	377769	LHD (Blue Gray) 2020-1-3	1	7321 (50.200)	Washer 7/16 2000-1-3-6-10-11	4	
	377771	LHD (Green Gray) 2020-1-3	1	15.3101	INSULATOR, To frame		
	377350	LHD (Tan) 2020-1-3	1	362793	LHD 2001A-3A-4-5-7-8-20-1-3-55	2	
	378880	(Green Gray) 2030	1	15.3102	PLATE, To frame insulator		
	377586	LHD (Tan) (Use on body 1590) 2055	1	362792	LHD 2001A-3A-4-5-7-8-20-1-3-55	2	
	377350	LHD (Tan) (Use on body 1591) 2055	1	15.313	CASE ASSEMBLY, Steering gear		
	378760	RHD (Tan) 2000-1-10-11	1	377379	LHD 2000-1-3-6-10-11	1	
	378010	RHD (Tan) 2001A	1	330416	LHD 2001A-3A-4-5-7-8-20-1-3-55	1	
	378009	RHD (Tan) 2003A-4-5	1	378555	RHD 2000-1-10-11	1	
	378321	RHD (Chrome) 2007-8	1	333905	RHD 2001A-3A-4-5-7-8-20-1-3-55	1	
	378541	RHD (Black) 2021	1	338639	(50.556) Dowel 20th Sr.	1	
	377775	RHD (Blue Gray) 2021	1	6614 (50.200)	Washer 7/16 RHD 2001A-3A-4-5-7-8-20-1-3-55	2	
	377776	RHD (Green Gray) 2021	1	15.314	COVER ASSEMBLY, Steering gear case cross shaft		
	377774	RHD (Tan) 2021	1	302243	20th Sr.	1	
	378542	RHD (Black) 2020-3	1	5504 (50.220)	Lockwasher 5/16	4	
	377770	RHD (Blue Gray) 2020-23	1	6465 (50.003)	Screw 5/16-18 x 5/8	4	
				15.315	GASKET, Steering gear case cross shaft cover assembly		
				302241	20th Sr.	1	

▲ Used on Clipper Four Door Sedans built after Jan. 1, 1942 only. All other body types have chrome trim.

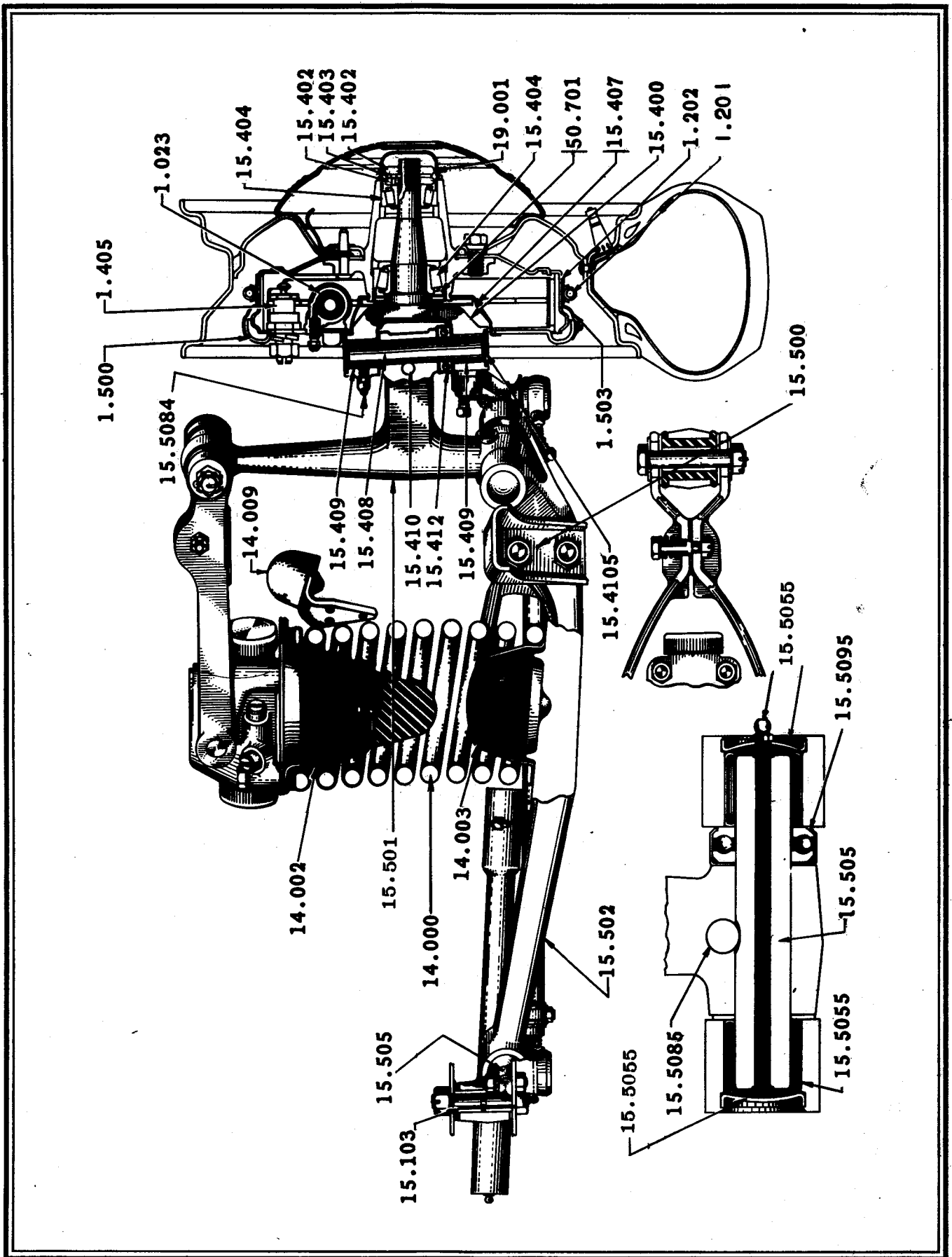
Used with Econo Drive.



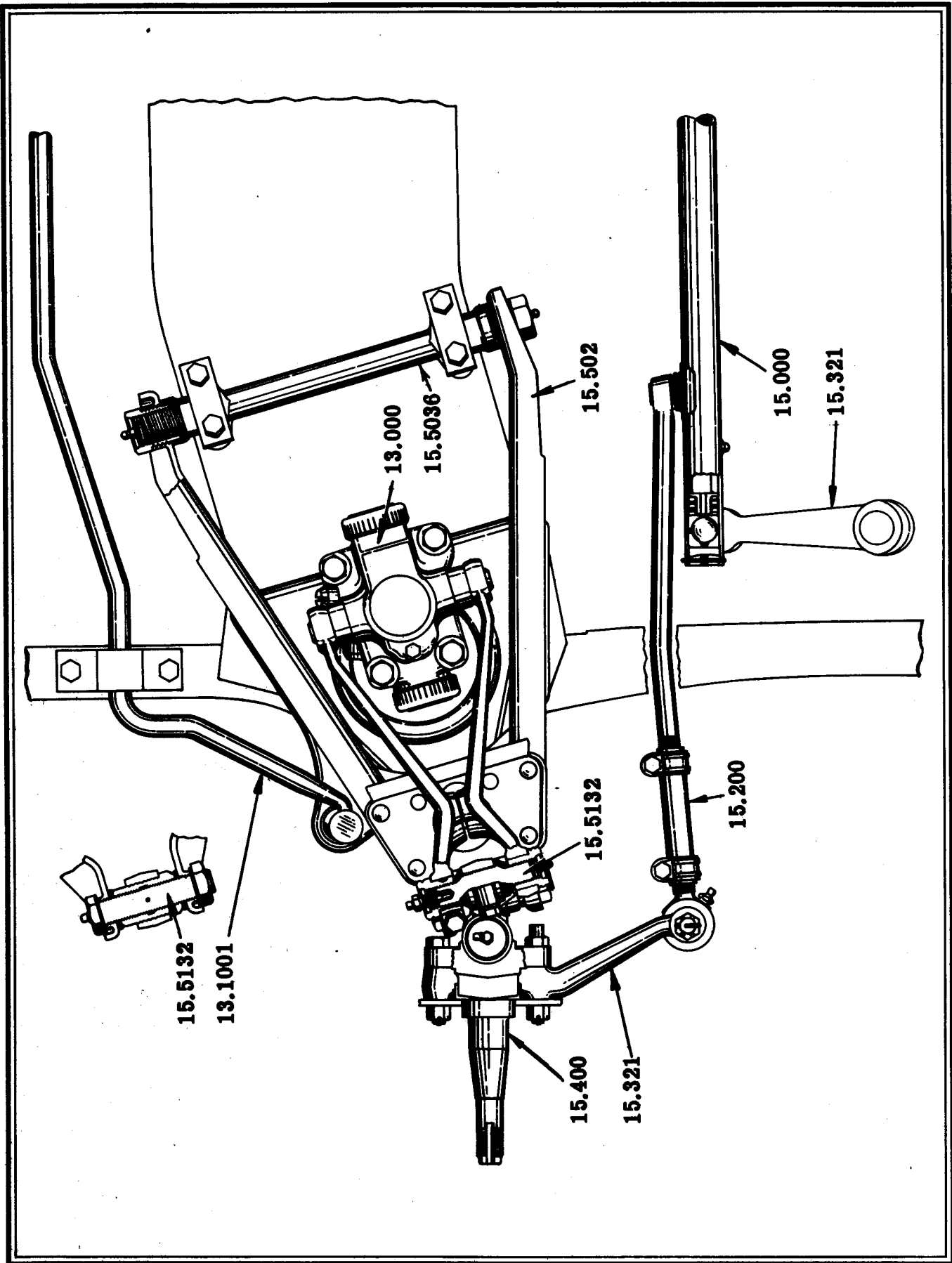
FRONT SUSPENSION - FRONT VIEW - (CLIPPER TYPE)

INDEX NO.	PART NO.	DESCRIPTION AND MODELS	PER CAR
GEAR—Continued			
15.3155	302234	PLUG, Steering gear case oil 20th Sr.	1
15.316	324088	TUBE ASSEMBLY, Steering gear case worm cover grease retaining 20th Sr.	1
15.317	324011	SHIM, Steering gear case worm cover (Medium) 20th Sr.	x
	317689	(Thick) 20th Sr.	x
	317688	(Thin) 20th Sr.	x
15.318	373486	SHAFT ASSEMBLY, Steering gear cross LHD 2000-1-3-6-10-11	1
	351803	LHD 2001A-3A-4-5-6-7-8-20-1-3-55	1
	351804	RHD 20th Sr.	1
	6574	(50.230) Lockwasher 9/16	1
	302255	(50.100) Locknut	1
	213315	(50.320) Screw	1
15.319	302882	SHIM, Cross shaft adjusting (Thick) 20th Sr.	x
	302883	(Thin) 20th Sr.	x
	304611	(.005) 20th Sr.	x
15.320	333078	BUSHING, Cross shaft 20th Sr.	2
15.321	373311	LEVER ASSEMBLY, Cross shaft LHD 2000-1-3-6-10-11	1
	302137	LHD 2001A-20-1	1
	358189	LHD 2003A-4-5-7-8-23-55	1
	378772	RHD 2000-1-10-11	1
	303080	RHD 2001A-3A-4-5-7-8-20-1-55	1
	5520	(50.220) Lockwasher 7/8	1
	302247	(50.100) Nut	1
15.322	373344	BALL STUD, Cross shaft lever 2000-1-3-6-10-11	1
	302127	LHD 2001A-20-1	1
	358058	LHD 2003A-4-5-7-8-23-55	1
	302127	RHD 2001A-3A-4-5-7-8-23-55	1
	4292	(50.240) Cotter pin LHD 2003A-4-5-7-8-23-55	1
15.3221	358789	WASHER, Cross shaft lever ball stud Lower LHD 2003A-4-5-7-8-23-55	1
	358788	Upper LHD 2003A-4-5-7-8-23-55	1
	7108	(50.110) Nut	1
15.3222	358791	BUSHING, Cross shaft lever ball stud LHD 2003A-4-5-7-8-23-55	1
15.3223	358790	SEAL, Cross shaft lever ball stud bushing LHD 2003A-4-5-7-8-23-55	2
15.3224	371325	DUST COVER, Steering gear cross shaft lever (to connecting rod) 2000-1-3-6-10-11	1
15.32245	373702	SPRING, Steering gear cross shaft lever dust cover (to connecting rod) 2000-1-3-6-10-11	1
15.3225	302274	OIL SEAL ASSEMBLY, Cross shaft 20th Sr.	1
15.323	351796	ROLLER ASSEMBLY, Cross shaft 20th Sr.	1
15.3235	315658	ROLLER PIN, Cross shaft 20th Sr.	1
15.328	302884	THRUST WASHER, Cross shaft 20th Sr.	1
	303316	(Done)	2
15.329	373305	SHAFT & WORM ASSEMBLY, Steering gear LHD 2000-1-10-11	1

INDEX NO.	PART NO.	DESCRIPTION AND MODELS	PER CAR
GEAR—Continued			
15.329	335347	SHAFT & WORM ASSEMBLY, Steering gear (Cont'd) LHD (Not used on bodies 1532-50-70-90) 2001A-3A-4-5-7-8-21-3-55	1
	373446	LHD 2003-6	1
	358256	LHD (Use on bodies 1532-50-70-90) 2005-7- 8-55	1
	335890	LHD 2020	1
	378731	RHD 2000-1-10-11	1
	335715	RHD 2001A-3A-4-5-6-7-8-21-3-55	1
	335891	RHD 2020	1
15.3295	362068	BEARING ASSEMBLY, Steering gear shaft 20th Sr.	1
15.3296	362075	SPACER, Shaft bearing 20th Sr.	1
15.3305	323777	OIL SEAL ASSEMBLY, Shaft 20th Sr.	1
15.331	323803	WORM, Steering gear LHD 20th Sr.	1
	329282	RHD 20th Sr.	1
15.3315	316203	RING, Worm bearing adjusting 20th Sr.	1
15.3316	316207	CAGE & ROLLER, Worm bearing 20th Sr.	2
15.3317	316206	CUP, Worm bearing 20th Sr.	1
15.333	378027	STEERING WHEEL ASSEMBLY (Chrome Brown & Tan) 2000-1	1
	378013	(Chrome & Gray) 2001A-3-3A-4-5-6	1
	378014	(Brown) 2007-8	1
	378290	(Chrome Blue & Tan) 2010-1	1
	378304	(Black & Maroon) 2020-1-3	1
	378291	(Blue & Tan) 2020-1-3	1
	378027	(Brown & Tan) 2020-1-3	1
	378303	(Maroon & Tan) 2020-1-3	1
	378302	(Green & Green Gray) 2020-1-30	1
	377455	(Gray & Tan) 2055	1
	335380	(50.100) Nut 3/4 spl.	1
KNUCKLES			
15.400	377513	KNUCKLE ASSEMBLY, Wheel (front) steering 2000-1-10-11	2
	371094	2001A-4-5-7-8-20-1-3-55	2
	240044	2001A-Amb.	2
	378795	2003-6	2
	7189	(50.110) Nut 3/4-16 2000-1-10-11	2
15.401	302721	ADJUSTING NUT, Knuckle Inner 2001A-3-3A-4-5-6-7-8-20-1-3-55	2
	302684	Outer 2001A-3-3A-4-5-6-7-8-20-1-3-55	2
	4308	(50.240) Cotter pin 1/8 x 1-1/4	2
15.4015	43293	PIN, Knuckle adjusting nut 2001A-3-3A-4-5-6-7-8-20-1-3-55	2
15.402	334995	WASHER (LOCK), Knuckle adjusting nut 2000-1-10-11	2
	302720	2001A-3-3A-4-5-6-7-8-20-1-3-55	2
15.404	348640	BEARING ASSEMBLY, Knuckle (Inboard) 2000-1-10-11	2
	303401	(Inboard) 2001A-3-4-5-6-7-8-20-21-23-55	2
	176593	(Inboard) 2003A	2
	379474	(Outboard) 2000-1-10-11	2
	303400	(Outboard) 2001A-3-4-5-6-7-8-20-21-23-55	2
	97056	(Outboard) 2003A	2

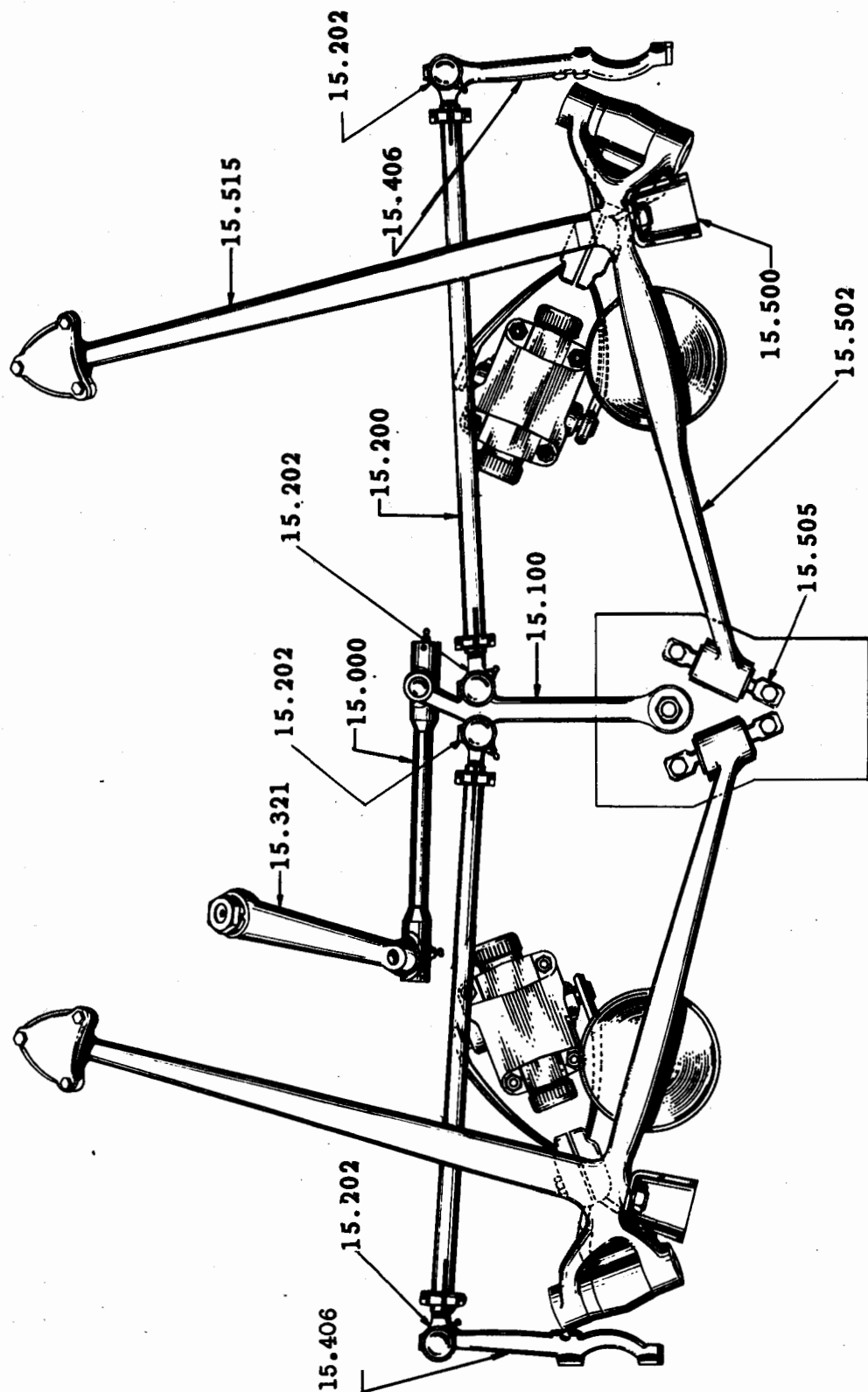


FRONT SUSPENSION



FRONT SUSPENSION - TOP VIEW (CLIPPER TYPE)

INDEX NO.	PART NO.	DESCRIPTION AND MODELS	PER CAR	INDEX NO.	PART NO.	DESCRIPTION AND MODELS	PER CAR
KNUCKLES—Continued				KNUCKLES—Continued			
15.4045	GASKET	Wheel front steering knuckle		15.411	SHIM	Knuckle (Cont'd)	
	367681	2000-1-3-6-10-11	2		316986 (.066)		x
15.406	LEVER	Knuckle			316987 (.067)		x
	373898	Right 2000-1-3-6-10-11	1		302954 (.068)		x
	355069	Right 2001A-4-5-7-8-20-1-3-55	1		316988 (.069)		x
	333196	Right 2001A Amb.	1		316989 (.070)		x
	333196	Right 2003A	1		302953 (.071)		x
	373897	Left 2000-1-3-6-10-11	1		316990 (.072)		x
	355068	Left 2001A-4-5-7-8-20-1-3-55	1		237083 (.053) 2001A Amb. 2003A		x
	333195	Left 2001A Amb.	1		237970 (.054)		x
	333195	Left 2003A	1		237971 (.055)		x
	7006 (50.100)	Nut 3/8-24 2001A-3A-4-5-7-8-20-1-3-55	2		237084 (.056)		x
	180803 (50.848)	Screw 2001A-3A-4-5-7-8-20-1-3-55	2		237972 (.057)		x
15.4065	OILER	Knuckle			237973 (.058)		x
	373925	2000-1-3-6-10-11	2		237085 (.059)		x
	364153	2001A-3A-4-5-7-8-21-3-55	2		237974 (.060)		x
	216549	2020	2		237975 (.061)		x
15.407	OIL GUARD & BAFFLE ASSEMBLY	Knuckle			237082 (.062)		x
	232776	2001A Amb.	2		237976 (.063)		x
15.4071	OIL GUARD	Knuckle			237977 (.064)		x
	367674	2000-1-3-6-10-11	2		237086 (.065)		x
	315756	2001A-4-5-7-8-20-1-3-55	2		237978 (.066)		x
	232774	2001A Amb.	2		237979 (.067)		x
	232774	2003A	2		237087 (.068)		x
15.4072	GASKET	Wheel front steering knuckle oil guard			237980 (.069)		x
	367675	2000-1-3-6-10-11	2		237981 (.070)		x
15.408	PIN EQUIPMENT	Wheel (front steering knuckle)			237088 (.071)		x
	378390	2000-1-3-6-10-11	1		237982 (.072)		x
15.4081	PIN	Knuckle		15.4115	SPACER	Wheel front steering knuckle	
	367761	2000-1-3-6-10-11	2		367680 (To support plate) 2000-1-3-6-10-11		4
	330868	2001A-4-5-7-8-20-1-3-55	2	15.412	THRUST BEARING	Wheel (front) steering knuckle	
	240030	2001A Amb.	2		300278 2000-1-1A-3-4-5-6-7-8-10-11-20-1-3-55		2
	240030	2003A	2		240032 2001A Amb. 2003A		2
15.4085	BEARING	Wheel front steering knuckle pin		KNUCKLE SUPPORT AND ARM			
	339774 (Roller type)	2000-1-3-6-10-11	2	15.500	BRACKET	Wheel (front) jack	
15.409	BUSHING	Knuckle pin			237021 (Use with stabilizer equipment) 2001A-3A-4-5-7-8-55		2
	339774	Upper 2000-1-3-6-10-11	2		304506 LHD (Not used with stabilizer equipment) 2001A-3A		2
	379270	Lower 20th Sr.	2	15.501	SUPPORT	Wheel (front)	
	379269	Upper 2001A-4-5-7-8-20-1-3-55	2		373248 Right 2000-1-10-11		1
	240031	2001A Amb. 2003A	4		358810 Right 2001A-4-5-7-8-20-1-3-55		1
15.4095	PIN	Knuckle pin lock			240040 Right 2001A Amb. 2003A		1
	367629	2000-1-3-6-10-11	2		373858 Right 2003-6		1
	304599	2001A-3A-4-5-7-8-20-1-3-55	2		373247 Left 2000-1-10-11		1
15.4105	PLUG	Knuckle			358809 Left 2001A-4-5-7-8-20-1-3-55		1
	302551	Lower 2000-1-3-6-10-11	2		240039 Left 2001A Amb. 2003A		1
	373919	Upper 2000-1-3-6-10-11	2		373857 Left 2003-6		1
	302551	2001A-4-5-7-8-20-1-3-55	4	15.502	ARM ASSEMBLY	Wheel (front) support	
	111561	2001A Amb. 2003A	4		373245 Lower Right 2000-1-3-6-10-11		1
15.411	SHIM	Knuckle			351394 Right 2001A-3A-4-5-7-8-23-55		1
	302958 (.053)	2000-1-1A-3-4-5-6-7-8-10-11-20-1-3-55	x		351392 Right 2020-1		1
	316978 (.054)		x		373244 Lower Left 2000-1-3-6-10-11		1
	316979 (.055)		x		351393 Left 2001A-3A-4-5-7-8-23-55		1
	302957 (.056)		x		351391 Left 2020-1		1
	316980 (.057)		x	15.503	SHIM	Support arm bearing	
	316981 (.058)		x		302958 (.053) 2001A-3A-4-5-7-8-20-1-3-55		x
	302956 (.059)		x		316978 (.054)		x
	316982 (.060)		x		316979 (.055)		x
	316983 (.061)		x		302957 (.056)		x
	302952 (.062)		x		316980 (.057)		x
	316984 (.063)		x		316981 (.058)		x
	316985 (.064)		x		302956 (.059)		x
	302955 (.065)		x		316982 (.060)		x
					316983 (.061)		x
					302952 (.062)		x



FRONT SUSPENSION AND STEERING CROSS TUBE

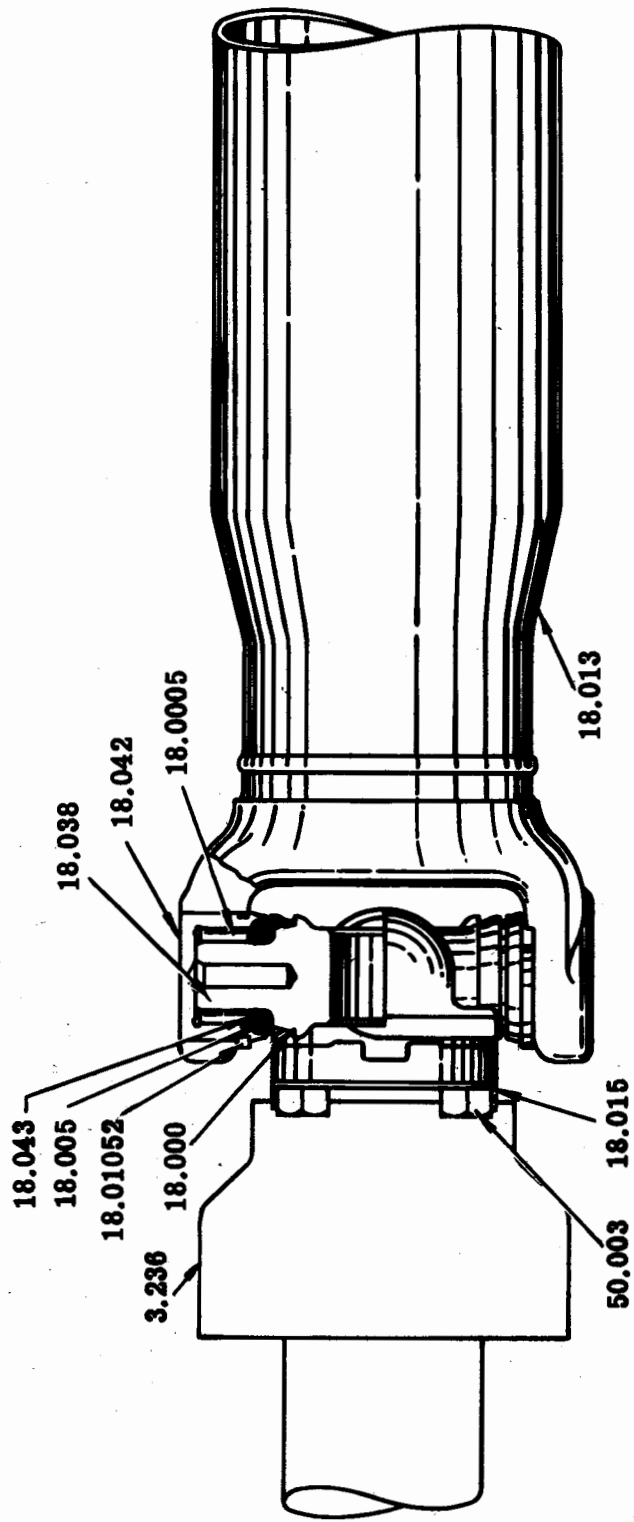
INDEX NO.	PART NO.	DESCRIPTION AND MODELS	PER CAR	INDEX NO.	PART NO.	DESCRIPTION AND MODELS	PER CAR
KNUCKLE SUPPORT AND ARM—Continued				KNUCKLE SUPPORT AND ARM—Continued			
15.503	SHIM	Support arm bearing (Cont'd)		15.5132	PIVOT PIN	Wheel front support	
	316984 (.063)	x	373263	Lower	2000-1-3-6-10-11	2
	316985 (.064)	x	367752	Upper	2000-1-3-6-10-11	2
	302955 (.065)	x	7822 (50.003)	Bolt	3/8-24 x 1-1/2	2
	316986 (.066)	x	5506 (50.220)	Lockwasher	2
	316987 (.067)	x	373267	Lockwasher	4
	302954 (.068)	x	373266	Nut	2
	316988 (.069)	x	15.5135	BUSHING	Wheel front support pivot pin.	
	316989 (.070)	x	373262	(Lower pin)	2000-1-3-6-10-11	2
	302953 (.071)	x	367754	(Upper pin - Front)	2000-1-3-6-10-11	2
	316990 (.072)	x	367757	(Upper pin - Rear)	2000-1-3-6-10-11	2
15.5035	BUSHING ASSEMBLY	Wheel front support arm (lower)		15.5136	SEAL	Wheel front support pivot pin	
	373264	Inner 2000-1-3-6-10-11	4	377544	Lower	2000-1-3-6-10-11	4
15.5036	BRACKET	Wheel front support arm (lower) bushing (inner)		367760	Upper	2000-1-3-6-10-11	4
	373261	2000-1-3-6-10-11	2	15.5137	OILER	Wheel front support pivot pin	
	7929 (50.003)	Bolt 7/16-20 x 1-1/2	8	302739	(Lower pin)	2000-1-3-6-10-11	2
	5508 (50.220)	Lockwasher	8	216548	(Upper pin)	2000-1-3-6-10-11	2
	7007 (50.100)	Nut 7/16-20	8	15.515	TORQUE ARM ASSEMBLY	Wheel (front)	
15.5037	SEAL	Wheel front support arm (lower) bushing (inner)		348350	Right	2020-1-3	1
	373354	2000-1-3-6-10-11	4	348349	Left	2020-1-3	1
15.505	PIN	Support arm		341193	2001A-3A-4-5-7-8-55	2
	348048	(Outer) 2001A-3A-4-5-7-8-20-1-3-55	2	6439 (50.230)	Lockwasher	5/8 20th Sr.	4
15.5055	BEARING AND OILER ASSEMBLY	Support arm pin		7010 (50.230)	Nut	5/8-18	4
	348083	2001A-3A-4-5-7-8-20-1-3-55	4	377807	Screw	5/8-18 x 3 2020-1	4
15.506	INSULATOR	Support arm inner pin		354515	Screw	5/8-18 x 2-7/8 2023	4
	356715	2001A-3A-4-5-7-8-20-1-3-55	4	302359	Stud	2001A-3A-4-5-7-8-55	4
15.507	THRUST WASHER	Support arm pin		15.516	INSULATOR	Torque arm	
	356712	Front 2001A-3A-4-5-7-8-20-1-3-55	2	348172	2020-1-3	4
	356713	Rear 2001A-3A-4-5-7-8-20-1-3-55	2	7157 (50.120)	Locknut	3/16-18	2
15.508	RETAINER	Support arm pin thrust washer		348155	Stud	2
	356714	2001A-3A-4-5-7-8-20-1-3-55	2	15.517	BUSHING	Torque arm rubber	
15.5084	OILER	Support arm pin bearing		304442	(Rubber)	2001A-3A-4-5-7-8-55	2
	348086	2001A-3A-4-5-7-8-20-1-3-55	4	348351	(Steel)	2020-1-3	2
15.5085	PIN	Support arm pin lock		15.518	SHIM	Torque arm	
	304599	2001A-3A-4-5-7-8-20-1-3-55	2	304698	(1 degree)	2020-1	4
15.509	PIN & WASHER ASSEMBLY	Support arm (inner)					
	356710	2001A-3A-4-5-7-8-20-1-3-55	2				
	7951	Bolt 7/16-20 x 1-1/4	4				
	5508 (50.220)	Lockwasher 7/16	4				
	7007 (50.100)	Nut 7/16-20	4				
15.5095	BEARING	Support arm thrust					
	300278	2001A-3A-4-5-7-8-20-1-3-55	2				
15.511	PILOT & WASHER ASSEMBLY	Support bearing					
	338273	(No offset) 2001A-3A-4-5-7-8-20-1-3-55	x				
	338274	(1/16 offset)	x				
	338275	(1/8 offset)	x				
	338276	(3/16 offset)	x				
	371983	(1/4 offset)	x				
15.512	INSULATOR	Support					
	338830	2001A-3A-4-5-7-8-20-1-3-55	4				
	335026	Bolt	2				
	4308 (50.240)	Cotter pin 1/8 x 1-1/4	2				
	7940 (50.110)	Nut 5/8-18	2				
	335027	Washer (inner)	4				
	303083	Washer (outer)	4				
15.513	SPACER	Support insulator bolt					
	335034	2001A-3A-4-5-7-8-20-1-3-55	2				

TOOLS AND TRUNK RACK

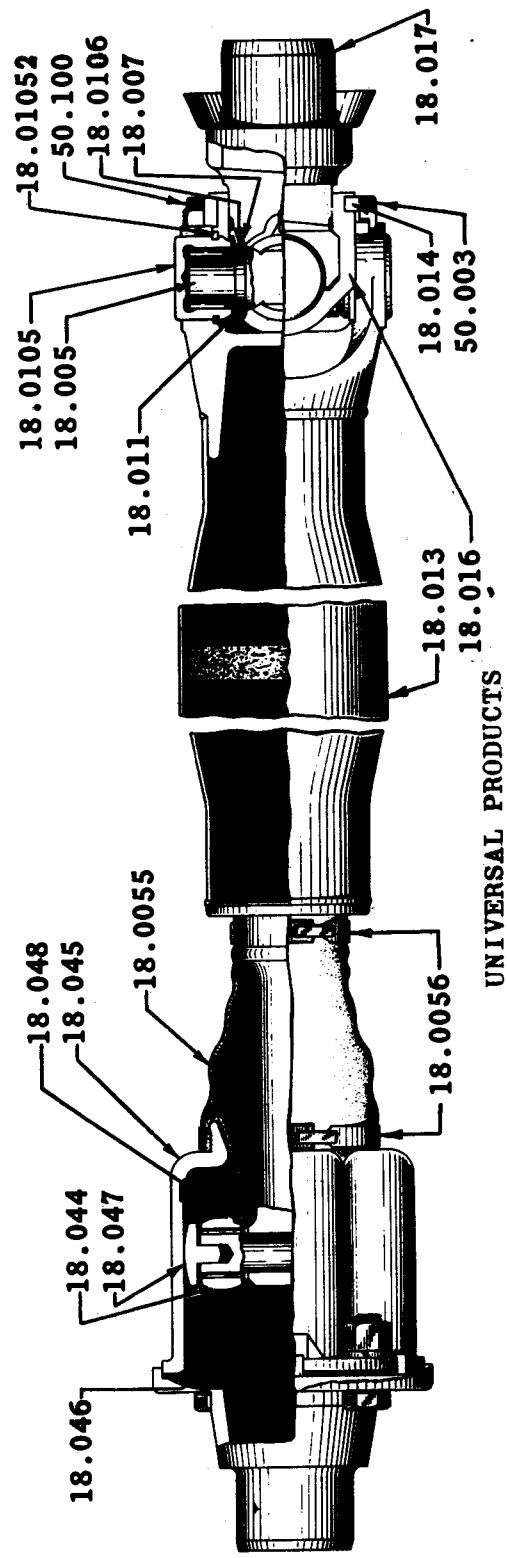
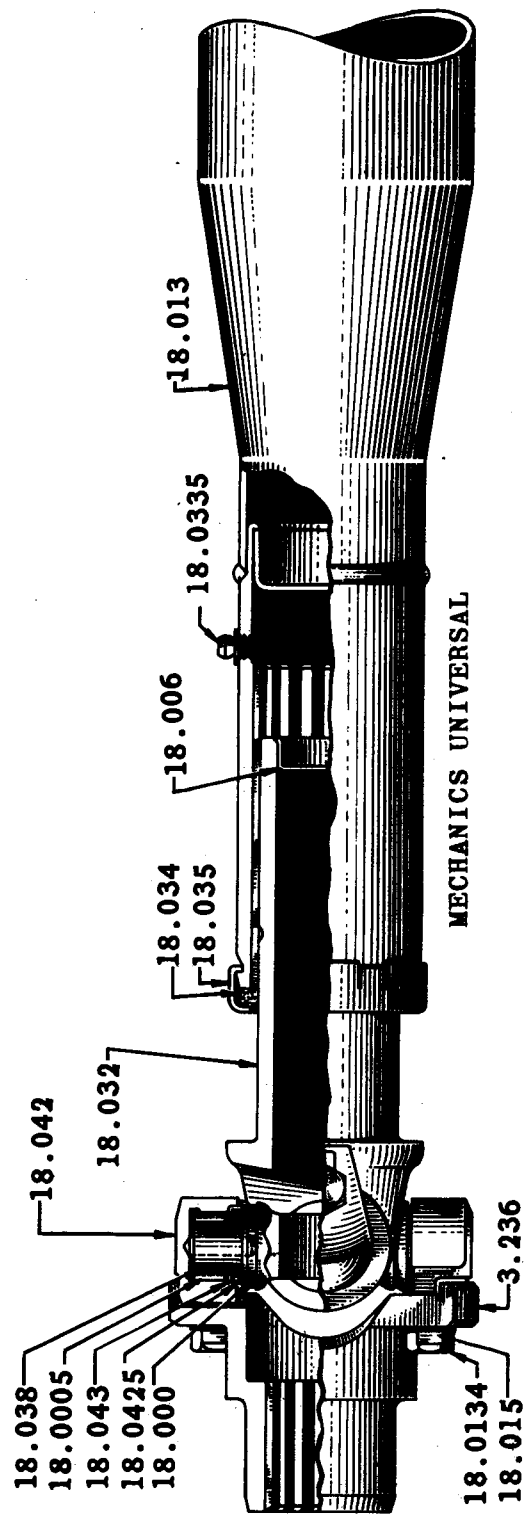
INDEX NO.	PART NO.	DESCRIPTION AND MODELS	PER CAR	INDEX NO.	PART NO.	DESCRIPTION AND MODELS	PER CAR
TOOLS				TRUNK RACK			
16.0025	JACK ASSEMBLY			17.0005	TRUNK RACK ASSEMBLY		
	373648	2000-1-3-6-10-11-20-1-3	1		367287	2030	1
	367773	2001A-3A-4-5-7-8-55	1	17.001	BRACE, Trunk rack		
16.003	BAG, Tool & Jack				367020	2030	1
	373646	2000-1-3-6-10-11-20-1-3	1		333761	Washer	4
	367394	2001A-3A-4-5-7-8-55	1		367021	SCREW (To bracket)	2
16.0032	BASE, Jack				6902	Nut 3/8-24	2
	364477	2000-1-3-6-10-11-20-1-3	1		335227	Spring Washer	4
	364478	2001A-3A-4-5-7-8-55	1		367227	Pivot	2
16.0042	STAND, Jack			17.003	BRACKET, Trunk rack		
	364479	2000-1-3-6-10-11-20-1-3	1		367017	Right 2030	1
	364480	2001A-3A-4-5-7-8-55	1		367018	Left 2030	1
16.005	PLIERS				7820	Screw (To bumper)	4
	304413	20th Sr.	1		367019	Screw (To rack)	2
16.007	SCREW DRIVER				7006	Nut 3/8-24 (To bumper)	4
	335164	20th Sr.	1		6902	Nut 3/8-24 (To rack)	2
16.011	WRENCH, Spark plug				5506	Lockwasher (To bumper)	4
	341228	20th Sr.	1		333761	Washer (To rack)	2
16.012	WRENCH, Wheel and jack				335227	Spring Washer (To rack)	4
	373650	20th Sr.	1	17.0044	KNOB, Clamping		
					367022	2030	1
				17.0045	SPRING, Clamping knob		
					367234	2030	2
				17.0046	RETAINING RING, Clamping knob spring		
					367023	2030	1
				17.0047	RETAINING WASHER, Clamping knob spring		
					367235	2030	2
				17.0095	BRACKET, Pivot		
					367225	(Inner) 2030	1
					367226	(Outer) 2030	1
					5161	Rivet 3/8 x 1 C' sunk hd.	4
					4187	Rivet 3/8 x 1 Rnd. hd.	4
				17.0125	STRAP, Trunk rack		
					367095	2030	1
				17.0126	PLATE, Strap retaining		
					367217	2030	1
					6651	Rivets 3/16 x 7/16	2

INDEX NO.	PART NO.	DESCRIPTION AND MODELS	PER CAR	INDEX NO.	PART NO.	DESCRIPTION AND MODELS	PER CAR
UNIVERSAL JOINT AND PROPELLER SHAFT				UNIVERSAL JOINT AND PROPELLER SHAFT—Continued			
18.000	SHIELD, Bearing dust	303409 2000-1-1A-3-3A-4-5-6-7-8-10-11-21-3-55	8	18.0135	SHAFT, Universal joint (Cont'd)		
18.0005	ROLLER, Bearing	304561 2000-1-1A-3-3A-4-5-6-7-8-10-11-21-3-55 ...	144	#378832	2000-1-10-11	1	
18.0045	WASHER, Cork	303407 2000-1-1A-3-3A-4-5-6-7-8-10-11-21-3-55	8	□#379500	2000-1-10-11	1	
18.005	CROSS ASSEMBLY, Universal joint	□327602 2000-1-10-11-20	1	#351809	2001A	1	
18.0055	COVER, Dust	□364673 2000-1-10-11-20	1	377479	2003-6	1	
18.0056	CLAMP, Dust cover	□364676 Large 2000-1-10-11-20	1	#378704	2003-6	1	
		□364675 Small 2000-1-10-11-20	1	#351810	2003A	1	
18.006	CUP, Dust	338354 2001A-3A-4-5-7-8-21-3-55	1	#364857	2004-7	1	
18.007	EXCLUDER, Dust	□327603 2000-1-10-11-20	4	#351808	2005-8	1	
18.0105	ROLLER BEARING ASSEMBLY, Universal joint	□225555 2000-1-10-11-20	4	364666	2020	1	
18.0107	CORK, Roller bushing	□327606 2000-1-10-11-20	4	#364667	2020	1	
18.0108	RETAINER, Roller bearing	364862 2000-1-1A-3-3A-4-5-6-7-8-10-11-21-3-55	8	364856	2021-3	1	
18.011	RETAINER, Roller bushing cork	□327698 (With loop) 2000-1-10-11-20	2	367510	2030	1	
		□225557 (Without loop) 2000-1-10-11-20	2	338656	Front 2001A	1	
18.012	RETAINER, Roller	225565 2020	4	338659	Front 2003A	1	
18.013	SHAFT ASSEMBLY, Universal joint			351156	Front 2004-7	1	
		378322 2000-1-10-11	1	351807	Front 2005-8	1	
		□#378323 2000-1-10-11	1	364858	Rear 2001A-3A	1	
		□#371364 2000-1-10-11	1	364860	Rear 2004-7	1	
		333329 (Front) 2001A	1	364861	Rear 2005-8	1	
		#333783 (Front) 2001A	1				
		371363 2003-6	1	18.014	LOCK, Shaft assembly bolt		
		#371365 2003-6	1	□326876	(Under bolt head) 2000-1-10-11-20	2	
		335293 (Front) 2003A	1	□326877	(Under bolt nut) 2000-1-10-11-20	2	
		#335295 (Front) 2003A	1	18.015	PLATE, Shaft assembly bolt lock		
		364455 (Rear) 2001A-3A	1	302877	20th Sr.	x	
		341680 (Front) 2004-7	1	18.016	CLAMP, Shaft bushing to flange		
		#364453 2004-7	1	□327517	2000-1-10-11-20	2	
		364452 (Rear) 2004-7	1	18.017	FLANGE, Shaft		
		335286 (Front) 2005-8-55	1	302868	2001A-3A-4-5-7-8-55	1	
		#335288 (Front) 2005-8-55	1	311935	Nut 2003A-4-5-7-8-55	1	
		364454 (Rear) 2005-8-55	1	300910	Washer 2001A-3A-4-5-7-8-55	1	
		355752 2020	1	18.0255	BEARING, Shaft trunnion		
		#355785 2020	1	323068	2001A-3A-4-5-7-8-55	1	
		364450 2021-3	1	18.026	BRACKET, Shaft trunnion bearing		
		#364451 2021-3	1	327691	2001A-3A-5-8-55	1	
		364610 2030	1	341708	2004-7	1	
18.0134	BOLT, Universal joint shaft assembly			6844	Bolt 5/16-24	4	
		□316293 (50.003) (5/16-24 x 3/4) 2000-1-1A-3-3A-4-5-6-7-8-10-11-21-3-55	x	327737	Bolt Shim	x	
		□364877 (50.003) (Front) (3/8-24 x 1-1/16) 2000-1-10-11-20	4	4280	(50.240) Cotter pin 1/16 x 1/2	4	
		□326881 (50.003) (Rear) (5/16-24 x 2-15/32) 2000-1-10-11-20	2	7105	(50.110) Nut 5/16-24	4	
		□ 5506 (50.220) Lockwasher 3/8 2000-1-10-11-20 ..	4	3909	Washer 5/16	4	
		□ 7005 (50.100) Nut 5/16-24 2000-1-10-11-20	2	18.027	INSULATOR, Shaft trunnion bearing bracket (to x member)		
		□ 7585 (50.100) Nut 3/8-24 2000-1-10-11-20	4	327699	2001A-3A-4-5-7-8-55	4	
18.0135	SHAFT, Universal joint			327700	Washer	4	
		378833 2000-1-10-11	1	18.028	SPACER, Shaft trunnion bearing bracket to x member insulator		
				338264	2001A-3A-4-5-7-8-55	4	
				18.029	DUST SHIELD, Shaft trunnion bearing		
				323070	(Front) 2001A-3A-4-5-7-8-55	1	
				323071	(Rear) 2001A-3A-4-5-7-8-55	1	
				18.030	RETAINER, Shaft trunnion bearing		
				323069	2001A-3A-4-5-7-8-55	1	
				18.031	SUPPORT, Shaft trunnion bearing		
				323072	2001A-3A-4-5-7-8-55	1	
				5505	(50.220) Lockwasher 5/16	4	
				7005	(50.100) Nut 5/16-24	4	
				5575	(50.003) Screw 5/16-24	4	
				18.032	YOKE, Universal joint slip		
				364855	2001A-3A-4-5-7-8-21-3-55	1	
				18.0335	OILER, Slip yoke		
				338362	2001A-3A-4-5-7-8-21-3-55	1	

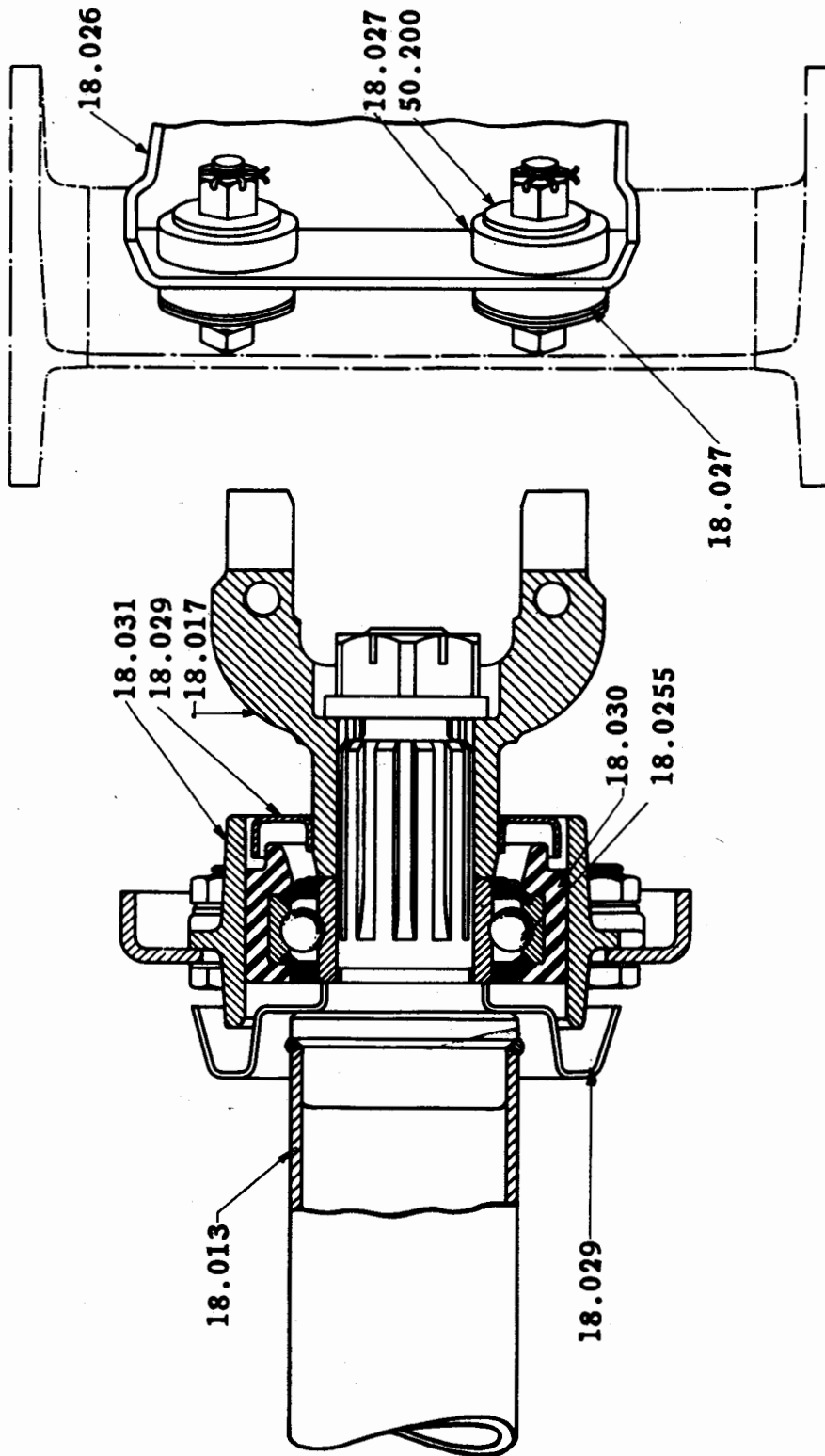
• Two types of Universal Joint Shafts were used on Models 2000-1-10-11 equipped with Econo Drive. (See Universal Joint Shaft Assembly Illustration) Use with "Mechanics Universal" type.
 □ Use with "Universal Products" type.



UNIVERSAL JOINT ASSEMBLY (CLIPPER TYPE)



UNIVERSAL JOINT SHAFT ASSEMBLY



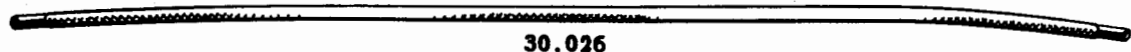
UNIVERSAL INTERMEDIATE JOINT (DOUBLE)

INDEX NO.	PART NO.	DESCRIPTION AND MODELS	PER CAR	INDEX NO.	PART NO.	DESCRIPTION AND MODELS	PER CAR
UNIVERSAL JOINT AND PROPELLER SHAFT—Continued				WHEELS AND TIRE COVERS			
18.034	PACKING, Slip yoke (felt)			19.000	WHEEL ASSEMBLY		
	338355 2001A-3A-4-5-7-8-21-3-55	1	362488	(15 x 5.00) 2000-1-10-11-20-1	5
18.035	RETAINER, Slip yoke packing			338700	(16 x 5.00) 2001A-4-5-7-8-55	5
	338356 2001A-3A-4-5-7-8-21-3-55	1	338700	(Side carrier) (16 x 5.00) 2001A	1
18.038	SPIDER, Universal joint			341770	(16 x 5.50) 2001A-3A Amb. & Bus	5
	303405 2000-1-1A-3-3A-4-5-6-7-8-10-11-21-3-55	2	367820	(15 x 5.50) 2003-6-23	5
18.041	LINK, Universal joint tie			234526	(16 x 5.00) 2003A	5
	0327613 2000-1-10-11-20	1	234526	(Side carrier) (16 x 5.00) 2003A	1
18.042	BEARING ASSEMBLY, Universal joint trunnion			338700	(Side carrier) (16 x 5.00) 2004-5-7-8-55	..	1
	364854 2000-1-1A-3-3A-4-5-6-7-8-10-11-21-3-55	8	362488	(Side carrier) (15 x 5.00) 2021	1
18.043	RETAINER, Trunnion washer			367820	(Side carrier) (15 x 5.00) 2023	1
	304562 2000-1-1A-3-3A-4-5-6-7-8-10-11-21-3-55	8	338811	Bolts 20th Sr.	20
18.044	BALL & ROLLER ASSEMBLY, Trunnion			19.001	CAP, Hub (front)		
	0364670 2000-1-10-11-20	2	334977	Front 2000-1-10-11	2
18.045	BODY, Trunnion			333728	Front 2001A-3-4-5-6-7-8-20-1-3-55	2
	0364668 2000-1-10-11-20	1	231217	2001A Amb.	2
18.046	GASKET, Trunnion body			231217	Front 2003A	2
	0364672 2000-1-10-11-20	1	19.0015	SEAL ASSEMBLY, Hub (front) oil		
18.0465	PIN, Trunnion body			329536	2000-1-10-11	2
	0364669 2000-1-10-11-20	2	316756	2001A-3-4-5-6-7-8-20-1-3-55	2
18.047	BUTTON & SPRING, Trunnion centering			237476	2003A	2
	0364671 2000-1-10-11-20	2	19.002	COVER, Hub shell		
18.048	THRUST WASHER, Trunnion			362089	(Spare wheel) 20th Sr.	1
	0364674 2000-1-10-11-20	2	377837	(Chrome) (Red hex. only) 2000-1	4
				379587	(Chrome) (Red hex. & word PACKARD) 2000-1	..	4
				▲379891	(Prime) (10" O.D.) 2000-1	4
				▲379890	(Prime) (13" O.D.) 2000-1-10-11	4
				377843	(Red hex. only) 2001A-3A	4
				379592	(Red hex. & word PACKARD) 2001A-3A Amb.	...	4
				379592	(Red hex. & word PACKARD) (On 2001A use only with 16 x 5.00 wheel) 2001A-3A-55	..	4
				373597	(Red hex. & word PACKARD) (Use only with 16 x 5.50 wheel) 2001A	4
				377833	(Chrome) (Red hex. only) 2003-23	4
				377836	(Chrome) (Includes emblem) 2003-6-23	4
				382302	(Prime) (Includes emblem) 2003-6	4
				377847	(Includes emblem) 2004-5-7-8	4
				377834	(Chrome) (Red hex. only) 2010-11	4
				379592	(Chrome) (Red hex. & word PACKARD) 2010-11-20-21	4
				379339	(Red hex. only) 2020-21	4
				373597	2030	4
				19.003	CLIP, Hub shell cover		
				348552	2000-1-1A-3-4-5-6-7-8-10-11-20-1-3-55	20
				239476	2003A	20
				19.0035	EMBLEM, Hub shell cover		
				377859	(Chrome & Enamel) 2003-4-5-6-7-8-23	4
				▲379888	(Silver & Enamel) 2003-6	4
				5502	(50.220) Lockwasher 1/4	8
				7335	(50.100) Nut 1/4-20	8
				19.006	COVER ASSEMBLY, Wheel tire		
				358466	Right LHD 2001A-3A	1
				358466	Right 2004-5-7-8-23-55	1
				358600	Right 2021	1
				358465	Left LHD 2001A-3A	1
				358465	Left 2004-5-7-8-23-55	1
				358599	Left 2021	1
				358466	Right RHD 2001A-3A	1
				358465	Left RHD 2001A-3A	1
				19.014	EDGING, Tire cover inner - (rubber)		
				351664	2001A-3A	3
				351664	2004-5-7-8-21-3-55	6
				335106	Rivet 2001A-3A	6
				335106	Rivet 2004-5-7-8-21-3-55	12
				19.026	MOULDING, Tire cover		
				351601	2001A-3A	1

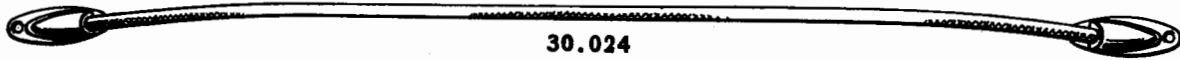
▲ Used on Clipper Four Door Sedans built after Jan. 1, 1942 only. All other body types have chrome trim.
 □ Use with "Universal Products" type.

INDEX NO.	PART NO.	DESCRIPTION AND MODELS	PER CAR	INDEX NO.	PART NO.	DESCRIPTION AND MODELS	PER CAR
WHEELS AND TIRE COVERS—Continued				WHEEL SIDE CARRIER—Continued			
19.026		MOULDING, Tire cover (Cont'd)		19.1193		BRACE & BRACKET ASSEMBLY, Wheel carrier (side) Wheel	
	351601	2004-5-7-8-21-3-55	2		354062	2001A-3A	1
	351665	Rivet 2001A-3A	3		354062	2004-5-7-8-21-3-55	2
	351665	Rivet 2004-5-7-8-21-3-55	6				
19.038		TURNBUCKLE & BAR ASSEMBLY, Tire cover		19.1195		BRACE, Wheel carrier (side) wheel	
	354034	2001A-3A	1		354033	2001A-3A	1
	354034	2004-5-7-8-21-3-55	2		354033	2004-5-7-8-21-3-55	2
19.039		WASHER, Tire cover (felt)		19.120		BRACKET, Wheel carrier (side) wheel brace	
	351603	2001A-3A	3		351797	2001A-3A	1
	351603	2004-5-7-8-21-3-55	6		351797	2004-5-7-8-21-3-55	2
	351729	Rivet 2001A-3A	3				
	351729	Rivet 2004-5-7-8-21-3-55	6	19.121		PIN, Wheel brace bracket pivot	
19.041		TRIM RING, Wheel			303173	2001A-3A	1
	231391	2001A-3A-4-5-7-8-55	5		303173	2004-5-7-8-21-3-55	2
	231391	(Side carrier) 2001A-3A-4-5-7-8-55	5	19.122		SOCKET, Wheel brace	
	377526	2003-6-23	5		354027	2001A-3A	1
					354027	2004-5-7-8-21-3-55	2
					7007	(50.100) Nut 7/16-20	x
WHEEL SIDE CARRIER							
19.105		BRACKET, Wheel carrier (side) to dash					
	351761	2001A-3A	1				
	351761	2004-5-7-8-21-3-55	2				
	7160	(50.120) Locknut 1/2-20 2001A-3A	1				
19.106		ROD, Wheel carrier (side) to dash brace					
	351760	Right (LHD) 2001A-3A	1				
	351760	Right 2004-5-7-8-21-3-55	1				
	351759	Left (LHD) 2001A-3A	1				
	351759	Left 2004-5-7-8-21-3-55	1				
	351760	Right (RHD) 2001A-3A	1				
	351759	Left (RHD) 2001A-3A	1				
	7160	(50.120) Locknut 1/2-20 2001A-3A	3				
	7160	(50.120) Locknut 1/2-20 2004-5-7-8-21-3-55	6				
	316934	(50.200) Washer	2				
19.107		BRACKET, Wheel carrier (side) to frame support					
	330423	2001A-3A	1				
	330423	2004-5-7-8-21-3-55	2				
	5506	(50.220) Lockwasher 3/8	x				
	7706	(50.100) Nut 3/8-24	x				
	7388	(50.003) Screw 3/8-24 x 1	x				
	3877	(50.200) Washer 3/8	x				
19.108		LOCK, Wheel carrier (side) (with key)					
	316398	2001A-3A	1				
	316398	2004-5-7-8-21-3-55	2				
19.112		CYLINDER, Lock					
	303623	2001A-3A	1				
	303623	2004-5-7-8-21-3-55	2				
19.113		PLATE, Lock					
	316340	2001A-3A	1				
	316340	2004-5-7-8-21-3-55	2				
19.115		ROD & BRACKET ASSEMBLY, Lock					
	354031	2001A-3A	1				
	354031	2004-5-7-8-21-3-55	2				
	5504	(50.220) Lockwasher 5/16	x				
	7284	(50.003) Screw 5/16-18 x 9/16	x				
19.116		ROD, Lock					
	354030	2001A-3A	1				
	354030	2004-5-7-8-21-3-55	2				
19.117		BRACKET, Lock rod					
	240590	2001A-3A	1				
	240590	2004-5-7-8-21-3-55	2				
19.118		PIN, Lock rod bracket pivot					
	303173	2001A-3A	1				
	303173	2004-5-7-8-21-3-55	2				
	207750	Spring Washer	x				

INDEX NO.	PART NO.	DESCRIPTION AND MODELS	PER CAR	INDEX NO.	PART NO.	DESCRIPTION AND MODELS	PER CAR
ARM REST				ASH TRAY—Continued			
30.000	CUSHION, Arm rest (door front)			30.007	ASH TRAY ASSEMBLY (See Index 30.604 for ash tray cigar lighter) (Cont'd)		
	357158 Right (sponge rubber) 1532-42-50-51-62-70-71-79-89-90-1-9		1	375261	(Side quarter) (Without cigar lighter hole) (Blue tenite handle) 1505-15		1
	357159 Left (sponge rubber) 1532-42-50-51-62-70-71-79-89-90-1-9		1	375262	(Side quarter) (With cigar lighter hole) (Gray tenite handle) 1525		2
30.0006	SUPPORT ASSEMBLY, Front door arm rest			375263	(Side quarter) (Without cigar lighter hole) (Gray tenite handle) 1575		1
	376174 Right 1502-5-12-15-22-25-72-75-82-85-88-92-95-98		1	375262	(Side quarter) (With cigar lighter hole) (Gray tenite handle) 1575		1
	342226 Right 1532-42-50-51-62-70-71-79-89-90-1-9		1	374601	(Side Quarter) Black 1579-89-99		2
	376175 Left 1502-5-12-15-22-25-72-75-82-85-88-92-95-98		1	363783	(Side Quarter) Gray 1579-89-99		2
	342227 Left 1532-42-50-51-62-70-71-79-89-90-1-9		1	363829	(Side Quarter) Green 1579-84-9-99		2
	6915 Ferrule #8 1532-42-50-51-62-70-71-79-89-90-1-9		2	363785	(Side Quarter) Tan 1579-89-99		2
	7654 (50.300) Screw #10 x 3/4 1502-5-12-15-22-25-72-75-82-85-88-92-95-98		2	8263	Ferrule (Arm rest) 1532-42-62		4
	366558 Screw #8 x 1-1/4 1532-42-50-51-62-70-71-79-89-90-1-9		4	235771	Ferrule (Side Quarter) #6 1579-84-9-99		2
	6653 Washer 3/16 1532-42-50-51-62-70-71-79-89-90-1-9		4	7997	(50.300) Screw #8 x 5/8 tapping 1505-15-25-75		4
30.001	PLATE, Arm rest (rear seat) attaching			7522	Screw (Arm Rest) #6 x 3/8 1532-42-62		4
	359858 (Rear Male) 1532-42-50-1-62-70-1-90-1		2	6828	Screw (Side Quarter) #8 x 3/4 1579-84-9-99		2
	6327 (50.400) Rivet 9/64 x 3/8 1532-42-62		4	8056	Screw #8 x 1 1584		4
	4812 (50.340) Woodscrew #8 x 5/8 1550-1-70-1-90-1		2	30.0075	HANDLE, Ash tray (front seat back) receiver		
30.003	RETAINER, Arm rest (rear seat) ash receiver			376317	(Blue) 1502-12		1
	359984 1532-42-62		2	372424	(Chrome) 1522		1
	363082 Right 1550-1-70-1-90-1		1	376318	(Gray) 1572		1
	363083 Left 1550-1-70-1-90-1		1	376316	(Brown) 1582-92		1
	6327 Rivet 9/64 x 3/8 oval hd. 1532-42-62		6	7424	(50.002) Screw #8-32 x 5/16		2
	4807 Screw #6 x 1/2 1550-1-70-1-90-1		10	30.00753	NAME PLATE, Ash tray (front seat back) receiver		
30.004	SPONGE RUBBER, Arm Rest (rear seat)			380179	(Packard) 1522		1
	363070 Right 1579-89-99		1	30.0076	RETAINER AND RIM ASSEMBLY, Ash tray (front seat back) receiver		
	363071 Left 1579-89-99		1	372764	(Chrome) 1502-12-72-82-92		1
	369918 1584		2	381051	(Paint) 1502-12-72-82-92		1
ARM SLING				380268	(Chrome) 1522		1
30.005	ARM SLING			381053	(Paint) 1522		1
	374698 1532-42-50-51		2	7997	(50.300) Screw #8 x 5/8		4
30.0061	BRACKET, Arm sling			30.009	ASH RECEIVER, Ash tray		
	363987 (Body) 1532-42-50-51-		2	359825	(Arm rest) 1532-42-62		2
	363986 (Hanger) 1532-42-50-51		2	359988	Right (Arm rest) 1550-51-70-71-90-1		1
	7590 Screw #10-32 x 1		x	359989	Left (Arm rest) 1550-51-70-71-90-1		1
ASH TRAY				314919	(Side Quarter) 1579-84-9-99		2
30.007	ASH TRAY ASSEMBLY, (See Index 30.604 for ash tray cigar lighter)			30.011	CASE, Ash tray (side quarter)		
	374603 (Arm Rest) (With cigar lighter hole) (Brown) 1532-42		2	374600	(Black) 1579-89-99		2
	374602 (Arm Rest) (With cigar lighter hole) (Gray) 1562		2	363828	(Green) 1579-84-9-99		2
	374598 (Arm Rest) (With cigar lighter assembly) (Brown right) 1550-51		1	363786	(Gray) 1579-89-99		2
	374596 (Arm Rest) (With lighter assembly) (Gray) Right 1570-1-90-1		1	363788	(Tan) 1579-89-99		2
	374599 (Arm Rest) (With lighter assembly) (Brown) Left 1550-51		1	30.0115	COVER, Ash tray (less handle)		
	374597 (Arm Rest) (With lighter assembly) (Gray) Left 1570-1-90-1		1	380287	(Front seat back) 1502-12-82-92		1
	380031 (Front seat back) (Blue tenite handle) 1502-12		1	380437	(Front seat back) 1522		1
	380280 (Front seat back) (Chrome handle) 1522		1	380435	(Front seat back) 1572		1
	380032 (Front seat back) (Gray tenite handle) 1572		1	7354	Screw (Front seat back) #8-32 x 5/16		2
	380030 (Front seat back) (Brown tenite handle) 1582-92		1	30.013	CLOCK, Partition header		
	375260 (Side Quarter) (With cigar lighter hole) (Blue tenite handle) 1505-15		1	359839	1532		1
				359890	1542-50		1
				7050	Screw #2 x 3/8 1532-42		4
				6738	Woodscrew #1 x 3/8 1550		3
FOOT REST				CLOCK			
30.014	FOOT REST ASSEMBLY, (Spec. set no.)			30.013	CLOCK, Partition header		
	353821 1542-50-51		1	359839	1532		1
	374690 (Cloth jobs) 1562-70-71		1	359890	1542-50		1
	374691 (Leather jobs) 1562-70-71		1	7050	Screw #2 x 3/8 1532-42		4
				6738	Woodscrew #1 x 3/8 1550		3



30.026



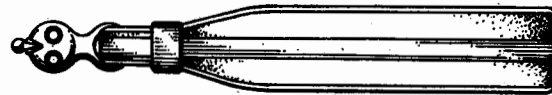
30.024



30.027



30.025



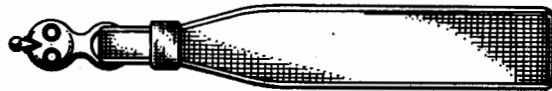
30.034



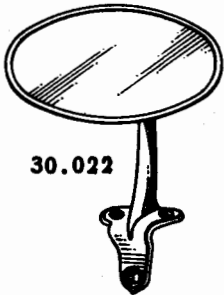
30.029



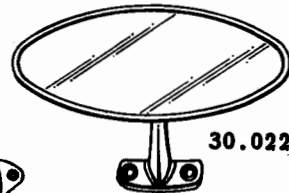
30.007



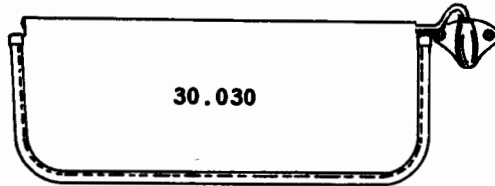
30.034



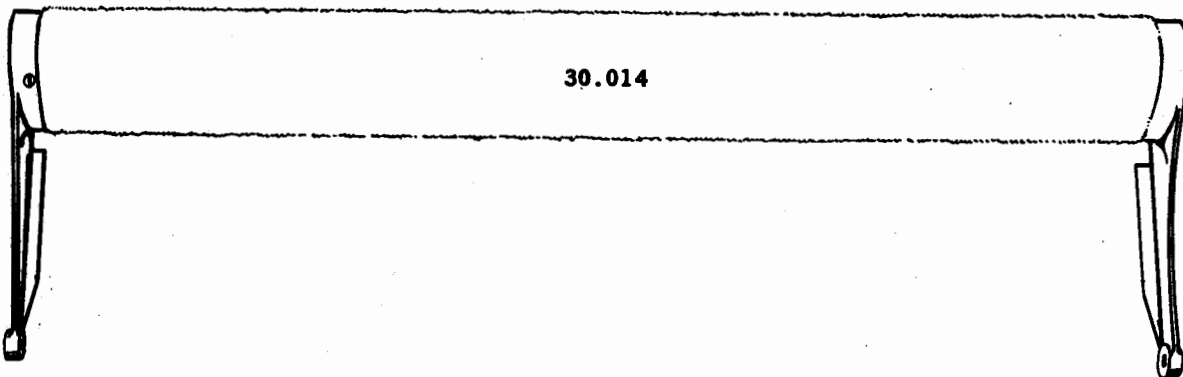
30.022



30.022



30.030



30.014

BODY EQUIPMENT

INDEX NO.	PART NO.	DESCRIPTION AND MODELS	PER CAR
FOOT REST—Continued			
30.015	BAR, Foot rest		
325791	1542-50-1-62-70-1	1
30.017	SUPPORT, Foot rest		
224548	Right 1542-50-1-62-70-1	1
224549	Left 1542-50-1-62-70-1	1
6778	Woodscrew #6 x 5/8	6
6777	Woodscrew #2 x 1 1/2	2
30.018	BRACKET, Foot rest support		
224573	(Chrome plate) 1542-50-1-62-70-1	2
30.019	SCREW, Foot rest support bracket		
224537	5/16 - 18 x 25/32 1542-50-1-62-70-1	2
7457	(50.001) #10-32 x 5/8 oval hd. (Phillips) 1542-50-1-62-70-1	4
30.021	CUSHION, Foot rest support bracket		
206130	1542-50-1-62-70-1	2

REAR VIEW MIRROR

30.022	MIRROR ASSEMBLY, Rear view		
363720	1502-5-12-15-72-75-82-85-88-90-91-92-95-98	1
375468	(Chrome) 1522-5-32-42-50-1	1
374799	(Paint) 1522	1
318785	1562-70-1	1
374221	1579-89-99	1
349877	(Complete) (For front door) 1584	1
365400	(For partition) 1584	2
342145	(50.100) Lock Nut 5/16 x 24	1
30.0230	ARM ASSEMBLY, Rear view (door) mirror		
353263	1584	1
30.0231	BRACKET, Rear view (door) mirror clamp		
353264	1584	1
353265	Pad (Rubber)	1
353279	Screw	2
30.0232	GLASS ASSEMBLY, Rear view (door) mirror		
353266	1584	1
30.0233	SLEEVE, Rear view (door) mirror		
353267	1584	1
30.0234	PLUNGER, Rear view (door) mirror sleeve		
353269	1584	1
30.0235	ROSETTE, Rear view (partition) mirror		
369426	(Includes Woodscrew and felt washer) 1584	4

ROBE RAIL

30.024	ROBE RAIL ASSEMBLY, (Specify set number)		
353271	(Leather Jobs) 1562-70-1	1
349365	(Cloth Jobs) 1562-70-1	1
366530	(Use with partition equipment) 1562	1
6614	Plain washer 7/16 1562-71	2
6974	(50.230) Lockwasher 9/16 Shakeproof 1570	2
5806	(50.230) Lockwasher 7/16 Shakeproof 1562-71	2
7254	(50.100) Nut 7/16-14 1562-71	2
337743	Nut (Spl. bolt shaped) 1570	2
30.025	BRACKET, Robe rail		
366122	1532	2
366120	Right 1551	1
366121	Left 1551	1
366166	Right 1542	1
366167	Left 1542	1
4924	Woodscrew #10 x 3/4 1542-51	4
4819	Woodscrew #10 x 3/4 1532	8
30.0255	HANDLE, Robe rail		
366172	Right 1532-42-50-1	1
366173	Left 1532-42-50-1	1
361756	Bolt upper 1550	2

INDEX NO.	PART NO.	DESCRIPTION AND MODELS	PER CAR
ROBE RAIL—Continued			
30.0255	HANDLE, Robe rail (Cont'd)		
366163	Bolt upper 1532-42-51	2
7599	(50.003) Bolt lower 5/16-18 x 1-1/4 hex hd 1550	2
7081	(50.003) Bolt lower 5/16-18 x 5/8 hex hd 1532-42-51	2
7049	(50.230) Lockwasher 5/16 1550	4
5504	(50.220) Lockwasher 5/16 1532-42-51	4
30.026	CORD ASSEMBLY, Robe rail (Specify motor and set number)		
372708	1502-12-22-72-82-92	1
375118	1525	2
374695	1532-50	1
374695	(Use with partition equipment) 1542	1
374696	1542-51	1
375439	1575	2
6996	(50.300) Screw #12 x 1/2 1525-75	4
366241	Set screw #8-32 1532-42-50-1	2
30.027	END SPRING, Robe rail		
372691	1502-12-22-72-82-92	2
30.0275	ESCUTCHEON, Robe rail		
372256	(Chrome) 1502-12-22-72-82-92	2
380612	(Paint) 1502-12-22-72-82-92	2
375116	1525-75	2
7560	(50.300) Screw #8 x 5/8 tapping 1525-75	4
372257	Spacer 1502-12-22-72-82-92	2
30.028	KEY, Robe rail end spring		
372692	1502-12-22-72-82-92	2
30.029	SLEEVE, Robe rail end spring		
372690	1502-12-22-72-82-92	2
30.0295	NUT, Robe rail		
372738	1502-12-22-72-82-92	2

SUN VISOR

30.030	SUN VISOR, (Specify set number)		
374324	(Chrome corner clips) Right 1502-5-12-15-82- 85-88-92-95-98	1
374842	(Painted corner clips) Right 1502-12-82-92	..	1
375358	(Chrome) Right 1522	1
374802	(Paint) Right 1522	1
37012	Right 1532-42-50-1	1
357010	Right 1562-70-1	1
375360	(Chrome) Right 1572-75	1
374804	(Paint) Right 1572	1
366092	Right 1579-89-99	1
363546	Right 1590-1	1
374325	(Chrome corner clips) Left 1502-5-12-15-82- 85-88-92-95-98	1
374843	(Painted corner clips) Left 1502-12-82-92	..	1
375359	(Chrome) Left 1522-25	1
374803	(Paint) Left 1522	1
37013	Left 1532-42-50-1	1
357011	Left 1562-70-1	1
375361	(Chrome) Left 1572-75	1
374805	(Paint) Left 1572	1
366093	Left 1579-89-99	1
363547	Left 1590-1	1
6951	Blind nut #10-32 1579-89-99	2
6653	Plain washer 3/16 1579-89-99	2
7083	(50.001) Screw #8-32 x 1/2 1502-5-12-15-22- 25-72-75-82-85-88-92-95-98	6
235770	Screw 1/4-28 x 5/8 oval hd. 1532-42-50-1-62- 70-1	4
30.032	GASKET, Sun visor		
337127	1532-42-50-1-62-70-1	2
342278	1590-1	2
30.033	SPRING, Sun visor - compression		
337639	1579-89-99	2

Used on Clipper four door sedans built after Jan. 1, 1942 only. All other body types have chrome trim.

INDEX NO.	PART NO.	DESCRIPTION AND MODELS	PER CAR
TOGGLE GRIP			
30.034	TOGGLE GRIP ASSEMBLY, (Specify set number)		
	375312	(Cloth jobs) 1505-15	2
	375509	(Leather jobs) 1505-15-75	2
	375240	(Cloth jobs) 1525	2
	359775	(Cloth jobs) 1562-70-1	2
	359776	(Leather jobs) 1562-70-1	2
	375241	(Cloth jobs) 1575	2
	342921	1590-1	2
	375309	Screw 1/4-20 x 7/8 tapping 1505-15-25-75	4
	359093	Screw 1562-70-1	2
	359095	Spacer 1562-70-1	2
	194732	Spring Washer 1/4 1562-70-1	2
VANITY CABINET			
30.037	VANITY CABINET		
	359492	Right 1532	1
	359493	Left 1532	1
	4994	Woodscrew #12 x 1	4
30.038	BOTTLE, Vanity cabinet		
	235176	1532	2
30.039	BOOK, Vanity cabinet memorandum		
	235177	1532	2
30.040	PENCIL, Vanity cabinet memorandum book		
	184433	1532	2

INDEX NO.	PART NO.	DESCRIPTION AND MODELS	PER CAR
BODY HOLD DOWN BOLTS			
30.100	SCREW, Body to frame		
	6800	3/8-16 x 2-1/8 hex hd 20th Sr	x
	6871	3/8-16 x 2-1/2 hex hd 20th Sr	x
	363643	3/8-16 x 2-3/4 cross recess oval hd. 20th Sr.	x
	7030	3/8-16 x 3 hex hd 20th Sr	x
	5906	Lockwasher 3/8	x
	314915	Nut and Lockwasher 3/8-16	x
	5049	Washer 13/32 x 1 x 1/8	x
	328869	Washer 13/32 x 1 1/4 x 3/16 countersunk	x
	327328	Washer 13/32 x 1 3/8 x 3/16	x
	366598	Washer 13/32 x 1 1/2 x 1/8	x
	331741	Washer 13/32 x 1 9/16 x 3/16	x
	337998	Washer 13/32 x 1 7/8 x 1/8	x
30.1004	CUSHION (RUBBER), Body to frame bolt mounting		
	349467	13/32 x 1-1/4 - 1 3/4 x 3/8 20th Sr	x
	349466	13/32 x 1-1/2 x 3/8 20th Sr	x
	349468	13/32 x 1-1/2 x 5/8 20th Sr.	x
	375398	3/4 x 1-3/4 x 5/8 20th Sr.	x
30.101	SPACER, Body to frame bolt mounting cushion (round steel)		
	337451	7/16 x 1-1/2 x 9/16 20th Sr	x
	337452	7/16 x 1-1/2 x 23/32 20th Sr	x
	337453	7/16 x 1-1/2 x 27/32 20th Sr	x
30.1015	SPACER, Body to frame bolt mounting cushion (square steel)		
	366428	13/32 x 1-1/2 x 1/16 20th Sr	x
	349471	13/32 x 1-1/2 x 1/8 20th Sr	x
	349470	13/32 x 1-1/2 x 3/16 20th Sr	x
	349520	7/16 x 1-1/2 x 5/16 20th Sr	x
	349521	7/16 x 1-1/2 x 3/8 20th Sr	x
	326494	1/2 (slot) x 1-5/8 x 1/16 20th Sr	x
	326493	1/2 (slot) x 1-5/8 x 1/8 20th Sr	x
	328689	1/2 x 1-1/2 x 7/16 20th Sr	x
	375399	3/4 x 1-3/4 x 1/8 20th Sr	x
	366601	7/8 x 1-1/2 x 1/8 20th Sr	x
30.1035	WASHER (RUBBER), Body to frame insulating		
	363121	13/32 x 13/16 x 5/16 20th Sr	x
30.10415	STUD, Body to frame		
	366429	3/8 - 16 x 2 5/8 20th Sr	x

INDEX NO.	PART NO.	DESCRIPTION AND MODELS	PER CAR	INDEX NO.	PART NO.	DESCRIPTION AND MODELS	PER CAR
COWL				FRONT—PARTS			
30.200		MOULDING, Cowl belt		30.301		MOULDING, Front door belt	
	357830	Right 1532-42-50-1-62-70-1-9-84-9-90-1-9	1		370186	(Chrome) Right 1502-12-22-72-82-92	1
	357831	Left 1532-42-50-1-62-70-1-9-84-9-90-1-9	1		380694	(Prime) Right 1502-12-22-72-82-92	1
	364327	Clip	4		375296	Right 1505-15-25-75-85-8-95-8	1
	366326	Seal (rubber)	4		357836	Right 1532-42-50-51-62-70-71-79-84-9-90-1-9	1
30.201		LACE, Cowl to bonnet			370187	(Chrome) Left 1502-12-22-72-82-92	1
	359591	1532-42-50-1-62-70-1-9-84-9-90-1-9	2		380695	(Prime) Left 1502-12-22-72-82-92	1
	307128	Drive nail #6 x 3/8	x		375297	Left 1505-15-25-75-85-8-95-8	1
30.2015		SEAL, Cowl to bonnet rubber			357837	Left 1532-42-50-1-62-70-1-9-84-9-90-1-9	1
	362472	Right 1532-42-50-1-62-70-1-9-84-90-1-9	1		376497	Clip 1502-12-22-72-82-92	12
	362471	Left 1532-42-50-1-62-70-1-9-84-9-90-1-9	1		375178	Clip 1505-15-25-75-85-8-95-8	14
	366321	Fastener	6		364327	(50.600) Clip 1532-42-50-1-62-70-1-9-84-9-90-1-9	26
				30.3010		BUMPER, Front door	
					372652	(on center pillar) 1502-12-22-72-82-92	2
					372341	(on front pillar) 1505-15-25-75-85-8-95-8	4
					331576	(Upper Corner) 1532-42-50-1-62-70-1-84-90-1	2
					342841	(1-1/2 wide) 1579-89-99	2
					349078	(1-5/8 wide) 1579-89-99	2
					6950	(50.300) Screw #6 x 3/8 1502-5-12-15-22-25-72-75-82-85-88-92-95-98	4
					218826	(50.300) Screw #6 x 1/2 1579-89-99	2
				30.3015		MOULDING, Front door bonnet side extension	
					372034	(Chrome) (right) 1502-5-12-5-22-5-72-5-82-5-8-92-5-8	1
					380600	(Prime) (right) 1502-12-22-72-82-92	1
					372035	(Chrome) (left) 1502-5-12-5-22-5-72-5-82-5-8-92-5-8	1
					380601	(Prime) (left) 1502-12-22-72-82-92	1
					372960	Clip (front)	2
					372961	Clip (intermediate) 1502-12-22-72-82-92	2
					376063	Clip (rear)	2
					372962	Clip (center)	4
				30.304		STRAP ASSEMBLY, Front door check	
					372249	1502-5-12-5-22-5-72-5-82-5-8-92-5-8	2
					372287	Pivot Pin	2
				30.3043		BRACKET, Front door check strap body	
					370405	1502-5-12-5-22-5-72-5-82-5-8-92-5-8	2
				30.3045		RETAINER ASSEMBLY, Front door check strap	
					370406	1502-5-12-5-22-5-72-5-82-5-8-92-5-8	2
					372225	Rivet (to door)	4
				30.3046		BUMPER, Front door check strap rubber	
					372091	1502-5-12-5-22-5-72-5-82-5-8-92-5-8	2
				30.3047		PIN, Front door check strap rubber bumper retaining	
					370381	1502-5-12-5-22-5-72-5-82-5-8-92-5-8	2
				30.3048		WASHER, Front door check strap rubber bumper retaining	
					370386	1502-5-12-5-22-5-72-5-82-5-8-92-5-8	2
				30.305		DOVE TAIL-MALE, Front door	
					326024	1579-89-99	2
					6303	(50.001) Screw 1/4 - 28 x 1/2	4
				30.306		DOVE TAIL-FEMALE, Front door	
					326065	1579-89-99	2
					6991	(50.001) Screw 1/4 - 28 x 5/8	4
				30.307		SHIM, Front door dove tail-male	
					331675	1579-89-99	x
				30.308		STRIKER, Front door dove tail	
					325540	1532-42-50-51	2
					314926	1562-70-1-84-90-1	2
					5899	(50.230) Lockwasher 5/16 shakeproof	4
					6873	(50.025) Screw 1/4 - 28 x 5/8 1532-42-50-51	4
					366233	(50.025) Screw 1/4 - 28 x 9/16 1562-70-71-84-90-91	4
				30.309		PLATE, Front door dove tail striker tapping	
					314035	1532-42-50-51-62-70-71-84-90-91	2

Used on Clipper Four Door Sedans built after Jan. 1, 1942 only. All other body types have chrome trim.

INDEX NO.	PART NO.	DESCRIPTION AND MODELS	PER CAR
FRONT—PARTS—Continued			
30.310		HINGE ASSEMBLY, Front door - upper	
372008	Right 1502-12-22-72-82-92	1
375356	Right 1505-15-25-75-85-8-95-8	1
349500	Right 1532-42-50-1-62-70-1-9-84-9-90-1-9	1
375357	Left (Supersedes 372009) 1502-12-22-72-82-92	1
375357	Left 1505-15-25-75-85-8-95-8	1
349501	Left 1532-42-50-1-62-70-1-9-84-9-90-1-9	1
5506	(50.220) Lockwasher 3/8 std.	6
7818	Screw 3/8-24 x 7/8 hex. hd.	6
359495	Screw & Lockwasher (to door) 1532-42-50-1-62-70-1-9-84-9-99	8
372391	Screw & Lockwasher (to body) 1505-15-25-75-85-8-95-8	10
376260	Screw & Lockwasher (to door) 1505-15-25-75-85-8-95-8	6
30.311		HINGE ASSEMBLY, Front door-Lower	
375354	Right 1502-5-12-15-22-25-72-75-82-85-88-92-95-98	1
349612	Right 1532-42-50-1-62-70-1-9-84-9-90-1-9	1
375355	Left 1502-5-12-15-22-25-72-75-82-85-88-92-95-98	1
349613	Left 1532-42-50-1-62-70-1-9-84-9-90-1-9	1
5385	(50.230) Lockwasher 5/16 shakeproof 1532-42-50-1-62-70-1-9-84-9-90-1-9	12
6932	(50.025) Screw 5/16 18 x 1/2 1532-42-50-1-62-70-1-9-84-9-90-1-9	12
372391	Screw & Lockwasher (to body) 1505-15-25-75-85-8-95-8	10
376260	Screw & Lockwasher (to door) 1505-15-25-75-85-8-95-8	6
30.312		PIN, Front door hinge	
372040	Lower & Upper 1502-5-12-15-22-25-72-75-82-85-88-92-95-98	4
351357	Lower (Std) 1532-42-50-51-62-70-71-79-89-90-1-9	2
351358	Lower (.005 over) 1532-42-50-51-62-70-71-79-89-90-1-9	2
337369	Upper (Std) 1532-42-50-1-62-70-1-9-84-9-99	2
30.314		LINER, Front door hinge upper bracket	
326304	1532-42-50-51-62-70-71-79-84-9-90-1-9	2
30.315		SHIM, Front door hinge upper bracket	
337768	1520-1-32-42-50-1-62-70-1-9-84-9-90-1-9	x
30.3150		BUMPER, Front door hinge upper stop	
327266	1532-42-50-51-62-70-71-79-84-9-90-1-9	2
6567	Screw #10 x 5/8	2
30.318		PLATE, Front door hinge-upper-tapped	
310372	(3 holes) 1532-42-50-51-62-70-71-79-84-9-90-1-9	2
325582	Right (6 holes) 1532-42-50-51-62-70-71-79-84-9-90-1-9	1
325583	Left (6 holes) 1532-42-50-51-62-70-71-79-84-9-90-1-9	1
30.3185		LOCK HANDLE EQUIPMENT, Front door left (key locking left handle-lock cylinder & key)	
98759	(Has fleur-de-lis-design) 1589	1
98755	(Has smooth surface-no design) 1589	1
98758	1590-1	1
30.319		LOCK, Front door	
370278	Right 1502-12-72-82-92	1
375400	Right 1505-15-25-75-85-8-95-8	1
380170	Right 1522	1
342538	Right 1532-42-50-1	1
342536	Right 1562-70-1-84-90-1	1
342922	Right 1579-89-99	1
380131	Left 1502-12-72-82-92	1
375401	Left 1505-15-25-75-85-8-95-8	1

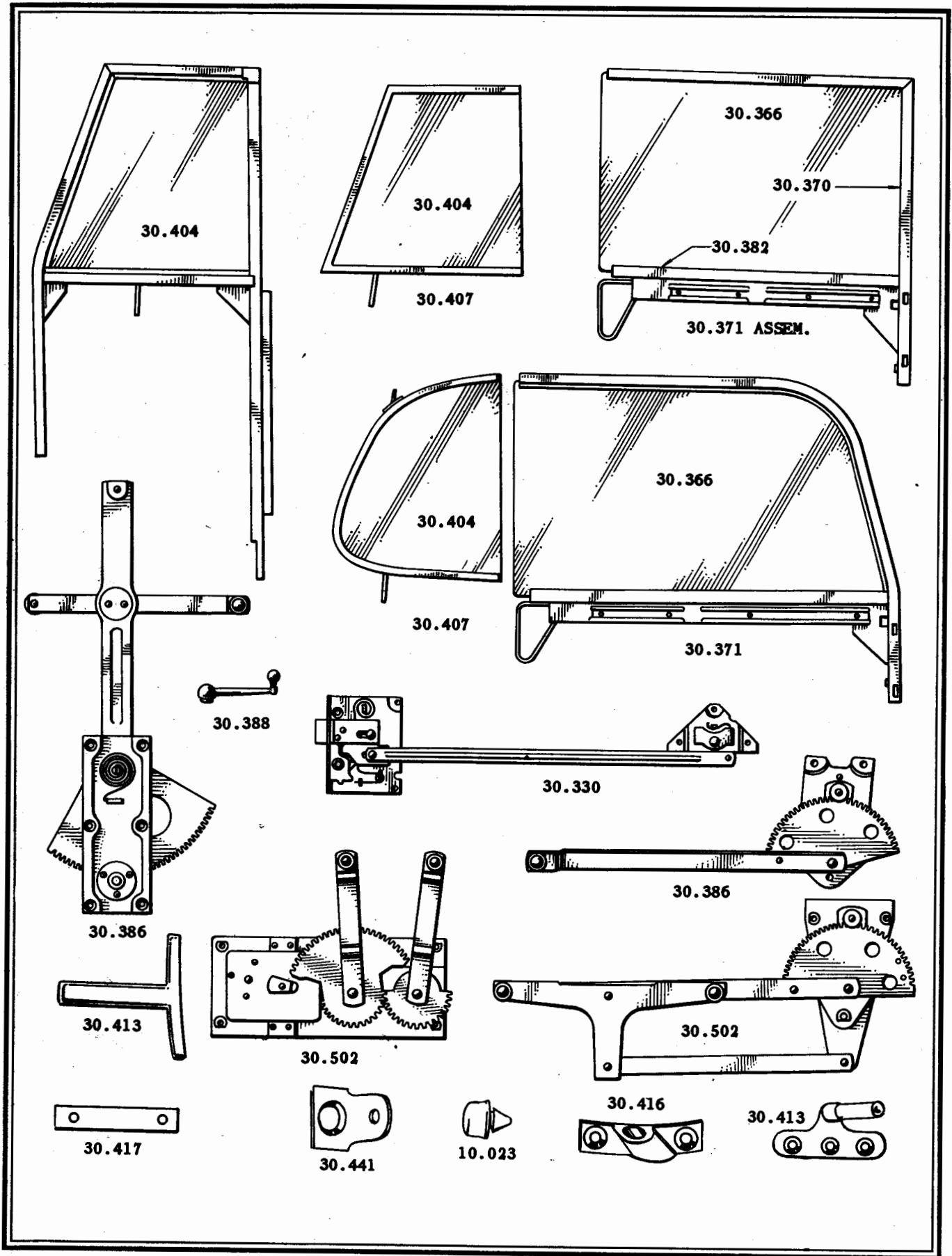
INDEX NO.	PART NO.	DESCRIPTION AND MODELS	PER CAR
FRONT—PARTS—Continued			
30.319		LOCK, Front door (Cont'd)	
380171	Left 1522	1
363128	Left 1532-42-50-1	1
363127	Left 1562-70-1-84-90-1	1
363129	Left 1579-99	1
342923	Left 1589	1
5396	(50.230) Lockwasher 1/4 1532-42-50-1-62-70-1-84-90-1	2
224887	(50.230) Lockwasher 1/4 Shakeproof 1532-42-50-1-62-70-1-9-84-9-90-1-9	4
5861	(50.230) Lockwasher #8 Shakeproof 1579-89-99	4
376109	Screw & Lockwasher (inner panel) 1505-15-25-75-85-8-95-8	10
366233	Screw 1/4-28 x 9/16 1532-42-50-1-62-70-1-9-84-9-90-1-9	6
327225	Screw #8-32 x 1/2 1579-89-99	4
30.320		LOCK, Front door lock cylinder	
372967	1502-5-12-5-22-5-72-5-82-5-8-92-5-8	2
337017	1532-42-50-1-62-70-1-9-99	2
337017	1584-9-90-91	1
30.3225		RETAINER ASSEMBLY, Front door lock cylinder lock	
372855	1502-5-12-5-22-5-72-5-82-5-8-92-5-8	2
372854	Set screw	2
30.326		HANDLE, Front door lock - right	
372820	(Chrome) 1502-12-22-72-82-92	1
▲380664	(Paint) 1502-12-22-72-82-92	1
375190	1505-15-25-75-85-8-95-8	1
■337122	(Key lock type) 1532-42-50-1-62-70-1-84-90-1	1
337123	(Key lock type) 1579-99	1
▲342902	(Key lock type) 1589	1
■337123	(Key lock type) 1589	1
▲342900	(Key lock type) 1590-1	1
30.327		HANDLE, Front door lock - left	
372821	(Chrome) 1502-12-22-72-82-92	1
▲380665	(Paint) 1502-12-22-72-82-92	1
375191	1505-15-25-75-85-8-95-8	1
■337252	(Key lock type) 1532-42-50-1-62-70-1-84-90-1	1
337253	(Key lock type) 1579-99	1
▲342904	1589	1
■337125	1589	1
▲342905	1590-91	1
30.3275		SCREW, Front door lock handle	
372025	1502-12-22-72-82-92	4
8140	1505-15-25-75-85-8-95-8	4
372909	(Shank) 1502-5-12-5-22-5-72-5-82-5-8-92-5-8	2
6820	(50.004) #12-24 x 3/8 1532-42-50-1-62-70-1-9-84-9-99	2
6686	(50.230) Lockwasher #12 Everlock 1532-42-50-1-62-70-1-9-84-9-99	2
381006	Washer (Plain) 1502-5-12-5-22-5-72-5-82-5-8-92-5-8	2
30.328		BASKET, Front door lock handle	
372576	1502-5-12-5-22-5-72-5-82-5-8-92-5-8	2
337638	(2-3/16 OD) 1532-42-50-1-62-70-1-9-84-9-90-1-9	2
349128	(1-3/8" OD) 1589-90-1	2
30.329		SPRING, Front door lock handle retracting	
342896	Left 1584	1
30.3307		KNOB, Front door lock push rod	
380307	1502-5-12-15-22-25-72-75-82-85-88-92-95-98	2
30.331		REMOTE CONTROL ASSEMBLY, Front door lock	
372356	Right 1502-12-22-72-82-92	1
374292	Right 1505-15-25-75-85-8-95-8	1

* Has Fleur-de-lis Design
 ■ Has smooth surface - no Design

▲Used on Clipper Four Door Sedans built after Jan. 1, 1942 only. All other body types have chrome trim.

INDEX NO.	PART NO.	DESCRIPTION AND MODELS	PER CAR
FRONT—PARTS—Continued			
30.331		REMOTE CONTROL ASSEMBLY, Front door lock (Cont'd)	
	342554	Right 1532-42-50-1-62 -70-1-84-90-1	1
	349022	Right 1579-89-99	1
	372357	Left 1502-12-22-72-82-92	1
	374293	Left 1505-15-25-75-85-8-95-8	1
	342555	Left 1532-42-50-1-62-70-1-84-90-1	1
	349023	Left 1579-89-99	1
	328663	(50.150) Clinch Nut 1/4-20 1532-42-50-1-62-70-1-9-84-9-90-1-9	6
	6699	(50.230) Lockwasher 1532-42-50-1-62-70-1-9-84-9-90-1-9	6
	6612	(50.000) Screw 1/4-20 x 1/2 1532-42-50-1-62-70-1-9-84-9-90-1-9	6
	376237	Screw & Lockwasher 1502-5-12-5-22-5-72-5-82-5-8-92-5-8	6
30.332		HANDLE, Front door lock remote control	
	374043	(Chrome) 1502-5-12-5-22-5-72-5	2
	374770	(Paint) 1502-12-22-72-82-92	2
	245197	1532-42-50-1-62-70-1-9	2
	370184	(Chrome) 1582-5-8-92-5-8	2
	342207	1584-9-90-1-9	2
	132972	(50.805) Pin	2
30.334		PLATE, Front door lock remote control handle escutcheon	
	366678	(Blue) 1502-5-12-5	2
	366677	(Gray) 1522-5-72-5	2
	374502	(Brown) 1532-42-50-1	2
	374501	(Gray) 1562-70-1	2
	374508	(Brown) 1579	2
	363330	(Blue) 1579	2
	363331	(Green) 1579	2
	363333	(Maroon) 1579	2
	372465	(Brown) 1582-5-8-92-5-8	2
	359424	(Green) 1584-9-99	2
	363370	(Maroon) 1589-99	2
	374509	(Brown) 1589-99	2
	359423	(Blue) 1589-99	2
	374326	1590-1	2
30.335		SPRING, Front door lock remote control handle escutcheon plate	
	133264	All models	2
30.336		INSERT, Front door lock remote control handle	
	133339	1532-42-50-51-62-70-71-79-84-89-90-91-99	2
30.337		EXTENSION, Front door lock remote control connecting link	
	349006	1532-42-50-1-62-70-1-9-84-9-90-1-9	2
	7478	(50.000) Screw 1/4-20 x 1/2	2
	6699	(50.230) Lockwasher 1/4	2
30.338		ANTI-RATTLER, Front door lock remote control link	
	325530	1532-42-50-51-62-70-71-79-84-89-90-91-99	2
30.340		STRIKER & DOVE TAIL ASSEMBLY, Front door lock	
	357739	1532-42-50-51	2
	357738	1562-70-71-84-90-91	2
	7481	(50.001) Screw 1/4-28 x 3/4 oval head	4
30.341		STRIKER, Front door lock	
	372898	Right 1502-5-12-5-22-5-72-5-82-5-8-92-5-8	1
	380166	Right 1522-5	1
	372899	Left 1502-5-12-5-22-5-72-5-82-5-8-92-5-8	1
	380167	1522-5	1
	366232	1579-89-99	2
	370599	Clinch nut #12-24	8
	5396	(50.230) Lockwasher 1/4	4
	6992	(50.001) Screw 1/4-28 x 5-8 1579-89-99	4
	372868	Screw & Lockwasher (to rear pillar)	8
	376698	(Chrome) Screw & Lockwasher (to rear pillar) 1522-5	8

INDEX NO.	PART NO.	DESCRIPTION AND MODELS	PER CAR
FRONT—PARTS—Continued			
30.3417		PLATE ASSEMBLY, Front door lock striker clinch nut	
	372729	1502-5-12-5-22-5-72-5-82-5-8-92-5-8	2
30.342		SHIM, Front door lock striker	
	376794	(Thin) 1502-5-12-15-22-25-72-75-82-85-88-92-95-98	x
	376795	(Thick) 1502-5-12-15-22-25-72-75-82-85-88-92-95-98	x
	359622	1532-42-50-1-62-70-1-84-90-1	x
	331722	1579-89-99	x
30.3429		STRAP ASSEMBLY, Front door pull to	
	372706	(Chrome) 1522-5	2
	374774	(Paint) 1522	2
	369170	1584	1
	5861	Lockwasher #8 internal 1522-5	4
	8072	(50.000) Screw #8-32 x 3/8 slotted rnd. hd. 1522-5	4
	6914	Screw #10 x 1 1584	2
30.34295		STRAP AND ESCUTCHEON ASSEMBLY, Front door pull to	
	372711	(Chrome) 1522-5	2
	374777	(Paint) 1522	2
	6387	(50.200) Washer (plain) (to window finishing moulding stud)	8
	5861	(50.230) Lockwasher #8 internal	8
	7002	(50.100) Nut #8-32	8
30.34297		ESCUTCHEON, Front door pull to strap	
	372723	(Chrome) 1522-5	4
	374776	(Paint) 1522	4
30.3437		PLATE, Front door script	
	375362	(Clipper) (Chrome) 1502-5-12-5-22-5-72-5-82-5-8-92-5-8	2
	372092	Fastener	6
30.344		WEATHERSTRIP, Front door	
	372118	Right (hinge side & lower) 1502-5-12-15-22-25-72-75-82-85-88-92-95-98	1
	372116	Right (Lock side & upper) 1502-12-22-72-82-92	1
	375122	Right (Lock side & upper) 1505-15-25-75-85-8-95-8	1
	372119	Left (Hinge side & lower) 1502-5-12-15-22-25-72-75-82-85-88-92-95-98	1
	372117	Left (Lock side & upper) 1502-12-22-72-82-92	1
	375123	Left (Lock side & upper) 1505-15-25-75-85-8-95-8	1
	349370	Lower 1532-42-50-1-62-70-1-84-90-1	2
	349601	Upper 1532-42-50-1-62-70-1-84-90-1	2
	349600	1579-89-99	2
FRONT—WINDOW			
30.352		SEAL, Front door window dust	
	376688	(Chrome) Inner Right 1502-12-22-72	1
	375650	(Paint) Inner Right 1502-12-22-72	1
	375152	Inner Right 1505-15-25-75	1
	357584	Inner Right 1532-42-50-1-62-70-1	1
	370204	Inner Right 1589-92	1
	375150	Inner Right 1585-8-95-8	1
	357562	Inner Right 1590-1	1
	376689	(Chrome) Inner Left 1502-12-22-72	1
	375651	(Paint) Inner Left 1502-12-22-72	1
	375153	Inner Left 1505-15-25-75	1
	357585	Inner Left 1532-42-50-1-62-70-1	1
	370205	Inner Left 1582-92	1
	375151	Inner Left 1585-8-95-8	1
	357563	Inner Left 1590-1	1
	337945	Inner 1579-89-99	2



DOOR WINDOWS - REGULATORS AND REGULATOR PARTS

INDEX NO.	PART NO.	DESCRIPTION AND MODELS	PER CAR	INDEX NO.	PART NO.	DESCRIPTION AND MODELS	PER CAR
FRONT—WINDOW—Continued				FRONT—WINDOW—Continued			
30.352		SEAL, Front door window dust (Cont'd)		30.3570		ATTACHING PARTS, Front door window finishing-moulding (Cont'd)	
	376582	(Chrome) Outer right 1502-12-22-72	1	342860	Screw #8 x 7/8	1562-70-1-84-90-1	2
	375654	(Paint) Outer right 1502-12-22-72	1	342861	Screw #8 x 1-1/8	1532-42-50-1-62-70-1-9-84-9-90-1-9	8
	375156	Outer right 1505-15-25-75	1	349394	Screw #8 x 3/4	1532-42-50-1	2
	357585	Outer right 1532-42-50-1-62-70-1	1	349394	Screw #8 x 3/4	1579-89-99	4
	372208	Outer right 1582-92	1	30.3615		STRIP, Front door window finishing moulding trim	
	357562	Outer right 1584-90-1	1	376608	(Chrome) (27-5/16" long)	1502-12-72	2
	375154	Outer right 1585-8-95-8	1	▲380643	(Paint) (27-5/16" long)	1502-12-72	2
	376583	(Chrome) Outer left 1502-12-22-72	1	374394	Right (35-1/8" long)	1505-15-75	1
	375655	(Paint) Outer left 1502-12-22-72	1	374395	Left (35-1/8" long)	1505-15-75	1
	375157	Outer left 1505-15-25-75	1	376607	(Chrome) (8-3/16" long)	1522	4
	357584	Outer left 1532-42-50-1-62-70-1	1	▲380642	(Paint) (8-3/16" long)	1522	4
	372209	Outer left 1582-92	1	375249	(12-1/8" long)	1525	4
	357563	Outer left 1584-90-1	1	30.3617		PLATE, Front door window finishing moulding trim strip end	
	375155	Outer left 1585-8-95-8	1	374406	(Chrome) (Right)	1502-5-12-5-22-5-72-5	2
	325810	Outer 1579-89-99	2	▲380640	(Paint) (Right)	1502-12-22-72	2
	337871	Clip 1532-42-50-1-62-70-1	14	374407	(Chrome) (Left)	1502-5-12-5-22-5-72-5	2
	7642	(50.300) Screw #6 x 3/8	12	▲380641	(Paint) (Left)	1502-12-22-72	2
30.354		WEATHERSTRIP, Front door window to folding pillar		364121	(50.150) Speed nut	(Supersedes 375270)	12
	349504	Right 1579-89-99	1	30.366		GLASS, Front door window	
	349505	Left 1579-89-99	1	369651	1502-12-22-72-82-92		2
	6762	(50.300) Screw #4 x 3/8	2	374654	1505-15-25-75-85-8-95-8		2
30.355		RETAINER, Front door window to folding pillar weatherstrip		357607	1532-42-50-1-62-70-1		2
	349506	Right 1579-89-99	1	349403	1579-89-99		2
	349507	Left 1579-89-99	1	369371	1584		2
	4809	(50.340) Screw #8 x 1/2	6	357606	1590-1		2
30.356		MOULDING, Front door window finishing - right		30.370		FRAME, Front door window glass	
	376732	1502-12	1	369376	Right 1584		1
	375160	1505-15	1	369377	Left 1584		1
	376720	1522	1	30.371		GLASS AND FRAME ASSEMBLY, Front door window	
	375244	1525	1	349398	Right 1579-89-99		1
	359600	(Wood) 1532-42-50-1	1	369374	Right 1584		1
	374510	(For cloth trim) 1562-71	1	349399	Left 1579-89-99		1
	374512	(For leather trim) 1562-70-1	1	369375	Left 1584		1
	376736	1572	1	8091	Screw (To lifter) #6 x 5/16	1584	8
	357162	1575	1	30.375		GLASS AND LIFTER ASSEMBLY, Front door window	
	357018	(Plated) 1579-89-99	1	370164	Right 1502-12-22-72-82-92		1
	376728	1582-92	1	926044	Right 1505-15-25-75-85-8-95-8		1
	363456	1584	1	925413	Right 1532-42-50-1		1
	366882	1585-8-95-8	1	925369	Right 1562-70-1-90-1		1
	374334	1590-1	1	370165	Left 1502-12-22-72-82-92		1
30.357		MOULDING, Front door window finishing - left		926045	Left 1505-15-25-75-85-8-95-8		1
	376733	1502-12	1	925414	Left 1532-42-50-1		1
	375161	1505-15	1	925370	Left 1562-70-1-90-1		1
	376721	1522	1	30.376		EXTENSION, Front door window glass frame lifter channel	
	375245	1525	1	325818	Right 1579-89-99		1
	359601	(Wood) 1532-42-50-1	1	325819	Left 1579-89-99		1
	374511	(For cloth trim) 1562-71	1	7436	(50.000) Screw #10-32 x 1/4		4
	374513	(For leather trim) 1562-70-1	1	5500	(50.220) Lockwasher #10		4
	376737	1572	1	30.377		STOP, Front door window glass	
	375163	1575	1	370378	(Rubber covered) 1502-5-12-5-22-5-72-5-82-5-8-92-5-8		2
	357019	(Plate) 1579-89-99	1	372211	Screw & Lockwasher		2
	376729	1582-92	1	30.380		WEATHERSTRIP, Front door window header	
	363457	1584	1	349508	Right 1579-89-99		1
	366883	1585-8-95-8	1	349509	Left 1579-89-99		1
	374335	1590-1	1	30.381		RETAINER, Front door window header weatherstrip	
30.3570		ATTACHING PARTS, Front door window finishing moulding		359662	Right 1579-89-99		1
	359653	(50.600) Clip (cordwelt) 1562-70-1-90-1	14	359663	Left 1579-89-99		1
	359652	(50.600) Clip (Cordwelt corner) 1562-70-1-90-1	4	7652	(50.300) Screw #8 x 1/2		2
	359654	(50.600) Clip (Cordwelt front) 1562-70-1-90-1	4	7649	(50.300) Screw #8 x 3/8		10
	366442	(50.600) Clip (Screw) 1562-70-1-84-90-1	8				
	235771	Ferrule #6 1532-42-50-1	10				
	380425	Screw #4 x 7/8 1505-15-25-75-85-88-95-98	2				
	342860	Screw #8 x 7/8 spec. #6 oval hd. Type Z tapping 1502-5-12-5-22-5-72-5-82-5-8-92-5-8	12				

▲Used on Clipper Four Door Sedans built after Jan. 1, 1942 only. All other body types have chrome trim. 143

INDEX NO.	PART NO.	DESCRIPTION AND MODELS	PER CAR
FRONT—WINDOW—Continued			
30.382		LIFTER ASSEMBLY, Front door window - right	
	370424	1502-12-22-72-82-92	1
	374076	1505-15-25-75-85-8-95-8	1
	363706	1532-42-50-1	1
	359670	1562-70-1-90-1	1
	369362	1584	1
30.383		LIFTER ASSEMBLY, Front door window - left	
	370425	1502-12-22-72-82-92	1
	374077	1505-15-25-75-85-8-95-8	1
	363707	1532-42-50-1	1
	359671	1562-70-1-90-1	1
	369363	1584	1
30.3845		CUSHION, Front door window lifter glass (everseal)	
	376162	.060 1502-5-12-15-22-25-72-75-82-85-88-92-95-98	x
	376163	.070 1502-5-12-15-22-25-72-75-82-85-88-92-95-98	x
	376249	.080 1502-5-12-15-22-25-72-75-82-85-88-92-95-98	x
	366354	.060 x 1-1/4 1532-42-50-1-62-70-1-84-90-1 ..	x
	311439	.070 x 1-1/4 1532-42-50-1-62-70-1-84-90-1 ..	x
	366355	.080 x 1-1/4 1532-42-50-1-62-70-1-84-90-1 ..	x
	353194	.086 x 1-1/4 1532-42-50-1-62-70-1-84-90-1 ..	x
	314804	.060 x 1-3/4 1584	x
	314805	.070 x 1-3/4 1584	x
	357601	.080 x 1-3/4 1584	x
30.386		REGULATOR ASSEMBLY, Front door window	
	370270	Right 1502-12-22-72-82-92	1
	375124	Right 1505-15-25-75-85-8-95-8	1
	357632	Right 1562-70-1-84-90-1	1
	349276	Right 1579-89-99	1
	363870	1532-42-50-1	2
	370271	Left 1502-12-22-72-82-92	1
	375125	Left 1505-15-25-75-85-8-95-8	1
	357633	Left 1562-70-1-84-90-1	1
	349277	Left 1579-89-99	1
	5506	(50.220) Lockwasher 3/8 split 1502-5-12-15-22-25-72-75-82-85-88-92-95-98	1
	6699	(50.230) Lockwasher 1/4 shakeproof 1562-70-1-9-84-9-99	12
	7006	(50.100) Nut 3/8-24 1502-5-12-15-22-25-72-75-82-85-88-92-95-98	2
	376038	Pin (Arm to lifter channel stud) 1502-5-12-15-22-25-72-75-82-85-88-92-95-98	4
	7649	(50.300) Screw #8 x 3/8 binding hd. Type A 1502-5-12-15-22-25-72-75-82-85-88-92-95-98 ..	2
	7478	(50.000) Screw 1/4-20 x 1/2 round hd. 1562-70-1-9-89-84-90-1	12
	372351	Stud (Arm to door inner panel pivot) 1502-5-12-15-22-25-72-75-82-85-88-92-95-98	2
	372352	Washer (Arm to door inner panel pivot stud) 1502-5-12-15-22-25-72-75-82-85-88-92-95-98 ..	2
	3877	(50.200) Washer (Arm to door inner panel pivot stud) 1502-5-12-15-22-25-72-75-82-85-88-92-95-98	2
	376037	Washer (Arm to lifter channel stud pin) 1502-5-12-15-22-25-72-75-82-85-88-92-95-98	4
30.3863		ARM AND PIVOT ASSY., Front door window regulator	
	372348	Right 1502-12-22-72-82-92	1
	372349	Left 1502-12-22-72-82-92	1
30.3865		GUIDE ASSEMBLY, Front door window regulator arm roller	
	363710	Right 1532-42-50-51	1
	363711	Left 1532-42-50-51	1
	7142	(50.000) Screw 1/4-28 x 1/2	8
	5447	(50.230) Lockwasher 1/4	8

INDEX NO.	PART NO.	DESCRIPTION AND MODELS	PER CAR
FRONT—WINDOW—Continued			
30.3867		PLATE, Front door window regulator arm roller guide	
	370420	1502-5-12-5-22-5-72-5-82-5-8-92-5-8	2
30.387		BRACKET, Front door window regulator arm stop	
	325715	1579-89-99	2
	5772	(50.000) Screw #10-32 x 3/8 Rnd. hd.	4
	5818	(50.230) Lockwasher #10 Shakeproof	4
30.3872		CYLINDER ASSEMBLY, Front door window regulator	
	363883	1532-42-50-51	2
	7142	(50.000) Screw 1/4-28 x 1/2	8
	5447	(50.230) Lockwasher 1/4	8
	7004	(50.100) Nut 1/4-28	8
30.3873		BRACKET, Front door window regulator cylinder attaching	
	363646	Front right 1532-42-50-51	1
	363647	Front left 1532-42-50-51	1
	363596	Rear right 1532-42-50-51	1
	363597	Rear left 1532-42-50-51	1
	7142	(50.000) Screw 1/4-28 x 1/2	8
30.3874		CLAMP, Front door window regulator cylinder	
	363704	1532-42-50-51	4
30.3876		HOSE ASSEMBLY, Front door window regulator cylinder to front frame solenoid	
	363875	1532-42-50-51	2
	300614	Union nut 5/16	2
30.3877		GROMMET, Front door window regulator cylinder to front frame solenoid hose	
	363878	1532-42-50-51	4
30.388		HANDLE, Front window regulator	
	366671	(Blue) 1502-5-12-5	2
	366672	(Gray) 1522-5-72-5	2
	374503	(Gray) 1562-70-1	2
	359236	(Blue) 1579	2
	363380	(Green) 1579	2
	363382	(Maroon) 1579	2
	374518	(Brown) 1579	2
	372466	(Brown) 1582-5-8-92-5-8	2
	359425	(Green) 1584-9-99	2
	363609	(Blue) 1589-99	2
	374519	(Brown) 1589-99	2
	363372	(Maroon) 1589-99	2
	374327	1590-1	2
	132972	Pin	2
	331591	Washer (Bakelite) 1562-70-1-9-84-9-99	2
30.390		PLATE, Front door window regulator handle escutcheon	
	366678	(Blue) 1502-5-12-5	2
	366677	(Gray) 1522-5-72-5	2
	374501	(Gray) 1562-70-1	2
	363330	(Blue) 1579	2
	363333	(Maroon) 1579	2
	374508	(Brown) 1579	2
	363331	(Green) 1579	2
	372465	(Brown) 1582-5-8-92-5-8	2
	359424	(Green) 1584-9-99	2
	374509	(Brown) 1589-99	2
	363370	(Maroon) 1589-99	2
	359423	(Blue) 1589-99	2
	374326	1590-1	2
30.391		SPRING, Front door window regulator handle escutcheon plate	
	133264	All models	2
30.392		INSERT, Front door window regulator handle	
	133339	1562-70-71-79-89-90-1-9	2

INDEX NO.	PART NO.	DESCRIPTION AND MODELS	PER CAR	INDEX NO.	PART NO.	DESCRIPTION AND MODELS	PER CAR
FRONT—WINDOW—Continued				FRONT—WINDOW—Continued			
30.393	ROD,	Front door window regulator piston		30.398	RETAINER ASSEMBLY,	Front door window runway	
	363851	1532-42-50-51	2		(Cont'd)		
	363949	Clip	2	372053	(Chrome) Front left	1502-12-22-72-82-92	1
	366323	Plain washer	2	▲381013	(Paint) Front left	1502-12-22-72-82-92	1
30.3935	SPRING,	Front door window regulator retracting		366797	Lower left	1505-15-25-75-85-8-95-8	1
	363874	1532-42-50-51	2	375135	Upper left	1505-15-25-75-85-8-95-8	1
30.3936	SCREW,	Front door window regulator retracting		357855	Rear left	1532-42-50-1-62-70-1-84-90-1	1
		spring adjusting		342483	Front	1532-42-50-1-62-70-1-84-90-1	2
	363713	1532-42-50-51	2	30.3985	BRACKET ASSY.,	Front door window runway re-	
30.3937	PLUG,	Front door window regulator retracting			retainer		
		spring adjusting screw		372078	Lower right	1502-5-12-5-22-5-72-5-82-5-8-92-5-8	1
	363879	1532-42-50-51	2	372079	Lower left	1502-5-12-5-22-5-72-5-82-5-8-92-5-8	1
30.3938	HOSE,	Front door window regulator retracting		370585	Lower rear	1502-5-12-5-22-5-72-5-82-5-8-92-5-8	2
		spring silencer			5996 Rivet	1505-15-25-75-85-8-95-8	6
	363712	1532-42-50-51	2	372694	Rivet	1502-12-22-72-82-92	6
30.394	GUIDE ASSEMBLY,	Front door window regulator		372970	Screw #12-24		2
		roller		30.39875	TIE BAR,	Front door window runway retainer	
	325714	1579-89-99	2		375502	1505-15-25-75-85-88-95-98	2
	7477	(50.000) Screw 1/4-20 x 3/8 Rnd. hd.	6	372970	Screw		4
	6611	(50.230) Lockwasher 1/4 shakeproof	6	30.3988	WEATHERSTRIP ASSEMBLY,	Front door window	
30.395	RIM,	Front door window reveal finishing			runway front retainer and division		
	372506	(Chrome) Right 1502-12-22-72-82-92	1	372794	Right 1502-12-22-72-82-92		1
	▲380620	(Prime) Right 1502-12-22-72-82-92	1	372795	Left 1502-12-22-72-82-92		1
	375172	Right 1505-15-25-75-85-8-95-8	1	FRONT—WINDOW WING			
	357442	Right 1532-42-50-1-62-70-1	1	30.401	FRONT DOOR WINDOW WING ASSEMBLY		
	372507	(Chrome) Left 1502-12-22-72-82-92	1	370274	(Chrome) Right	1502-12-22-72-82-92	1
	▲380621	(Prime) Left 1502-12-22-72-82-92	1	▲381014	(Paint) Right	1502-12-22-72-82-92	1
	375173	Left 1505-15-25-75-85-8-95-8	1	374284	Right 1505-15-25-75-85-8-95-8		1
	357443	Left 1532-42-50-1-62-70-1	1	359740	Right 1532-42-50-1-62-70-1		1
	375179	Clip 1502-5-12-5-22-5-72-5-82-5-8-92-5-8	14	359742	Right 1579		1
	372619	Clip (end) 1502-5-12-5-22-5-72-5-82-5-8-92-5-8	2	359648	Right 1584-90-1		1
	6762	(50.002) Screw #4 x 3/8 1532-42-50-1-62-70-1	x	349438	Right 1589-99		1
30.396	RUNWAY ASSEMBLY,	Front door window		370275	(Chrome) Left	1502-12-22-72-82-92	1
	372637	Front 1502-12-22-72-82-92	2	▲381015	(Paint) Left	1502-12-22-72-82-92	1
	357567	Front 1532-42-50-1-62-70-1-84	2	374285	Left 1505-15-25-75-85-8-95-8		1
	375146	Lower & upper right 1505-15-25-75	1	359741	Left 1532-42-50-1-62-70-1		1
	375144	Lower & upper right 1585-8-95-8	1	359743	Left 1579		1
	375147	Lower & upper left 1505-15-25-75	1	359649	Left 1584-90-1		1
	375145	Lower & upper left 1585-8-95-8	1	349439	Left 1589-99		1
	376788	(Chrome) Rear & upper right 1502-12-22-72	1	5502	(50.220) Lockwasher 1/4 1579-89-99		2
	▲375666	(Paint) Rear & upper right 1502-12-22-72	1	7004	(50.100) Nut 1/4 - 28 1579-89-99		2
	372802	Rear & upper right 1582-92	1	3868	(50.200) Plain washer 1/4 1579-89-99		2
	376789	(Chrome) Rear & upper left 1502-12-22-72	1	7649	(50.300) Screw #8 - 3/8 1532-42-50-1-62-70-1-9-84-9-99		8
	▲375667	(Paint) Rear & upper left 1502-12-22-72	1	7125	(50.003) Screw 1/4-28 x 5/8 1579-89-99		2
	372803	Rear & upper left 1582-92	1	30.404	GLASS, Front door window wing		
	357582	Rear lower 1532-42-50-1-62-70-1-84	2	370166	1502-1-12-5-22-5-72-5-82-5-8-92-5-8		2
	359468	Rear upper right 1532-42-50-1-62-70-1	1	357605	1532-42-50-1-62-70-1		2
	357578	Rear upper right 1584-90-1	1	349425	1579-89-99		2
	359469	Rear upper left 1532-42-50-1-62-70-1	1	357604	1584-90-1		2
	357579	Rear upper left 1584-90-1	1	30.407	GLASS AND RETAINER ASSY.,	Front door window	
	328752	Rear right 1579-89-99	1		wing		
	328753	Rear left 1579-89-99	1	376632	(Chrome) Right	1502-5-12-15-22-5-72-5-82-5-8-92-5-8	1
	6611	(50.230) Lockwasher 1/4 shakeproof 1579-89-99	4	▲381356	(Painted) Right	1502-12-22-72-82-92	1
	5502	Lockwasher 1/4 1579-89-99	4	359478	Right 1532-42-50-1-62-70-1		1
	3868	(50.200) Plain washer 1/4 1579-89-99	4	359498	Right 1584-90-1		1
	372147	Rivet 1502-5-12-5-22-5-72-5-82-5-8-92-5-8	4	376633	(Chrome) Left	1502-5-12-15-22-5-72-5-82-5-8-92-5-8	1
	372970	Screw 1505-15-25-75-85-8-95-8	4	▲381357	(Painted) Left	1502-12-22-72-82-92	1
	6762	(50.025) Screw #4 x 3/8 1532-42-50-1-62-70-1-84	x	359479	Left 1532-42-50-1-62-70-1		1
	7491	(50.000) Screw 1/4-28 x 3/8 1579-89-99	4	359499	Left 1584-90-1		1
	7372	(50.003) Screw 1/4-28 x 5/8 1579-89-99	4	30.398	RETAINER ASSEMBLY,	Front door window runway	
30.398	RETAINER ASSEMBLY,	Front door window runway			(Cont'd)		
	372052	(Chrome) Front right 1502-12-22-72-82-92	1	372053	(Chrome) Front left	1502-12-22-72-82-92	1
	▲381012	(Paint) Front right 1502-12-22-72-82-92	1	▲381013	(Paint) Front left	1502-12-22-72-82-92	1
	366796	Lower right 1505-15-25-75-85-8-95-8	1	366797	Lower left	1505-15-25-75-85-8-95-8	1
	375134	Upper right 1505-15-25-75-85-8-95-8	1	375135	Upper left	1505-15-25-75-85-8-95-8	1
	357854	Rear right 1532-42-50-1-62-70-1-84-90-1	1	357855	Rear left	1532-42-50-1-62-70-1-84-90-1	1

▲Used on Clipper Four Door Sedans built after Jan. 1, 1942 only. All other body types have chrome trim.

INDEX NO.	PART NO.	DESCRIPTION AND MODELS	PER CAR
FRONT—WINDOW WING—Continued			
30.408		RETAINER AND PIVOT ASSEMBLY, Front door window wing glass	
	372774	(Chrome) Right 1502-5-12-5-22-5-72-5-82-5-8-92-5-8	1
	▲380630	(Paint) Right 1502-12-22-72-82-92	1
	359552	Right 1532-42-50-1-62-70-1	1
	354552	Right 1579-89-99	1
	359550	Right 1584-90-1	1
	372775	(Chrome) Left 1502-5-12-5-22-5-72-5-82-5-8-92-5-8	1
	▲380631	(Paint) Left 1502-12-22-72-82-92	1
	359553	Left 1532-42-50-1-62-70-1	1
	354553	Left 1579-89-99	1
	359551	Left 1584-90-1	1
30.4085		STRIKER PLATE, Front door window wing lock	
	372959	(Chrome) 1502-5-12-5-22-5-72-5-82-5-8-92-5-8	2
	376010	Rivet	4
30.409		BRACKET, Front door window wing locking	
	353232	1584-90-1	2
	311431	Rivet-tubular .142 x 5/32	4
30.410		HANDLE, Front door window wing locking	
	372798	(Chrome) Right 1502-5-12-5-22-5-72-5-82-5-8-92-5-8	1
	▲374846	(Paint) Right 1502-12-22-72-82-92	1
	349042	Right 1584-90-1	1
	372799	(Chrome) Left 1502-5-12-5-22-5-72-5-82-5-8-92-5-8	1
	▲374847	(Paint) Left 1502-12-22-72-82-92	1
	349043	Left 1584-90-1	1
	349055	Pin	4
	349054	Spring washer	2
30.411		BRACKET, Front door window wing locking handle	
	372776	1502-5-12-5-22-5-72-5-82-5-8-92-5-8	2
	349723	1584-90-1	2
	372694	Rivet	4
30.412		SHAFT, Front door window wing locking handle	
	372999	1502-5-12-5-22-5-72-5-82-5-8-92-5-8	2
	349722	1584-90-1	2
30.413		PIVOT, Front door window wing	
	372670	Lower right (Female) 1502-5-12-5-22-5-72-5-82-5-8-92-5-8	1
	372094	Lower right (Male) 1502-5-12-5-22-5-72-5-82-5-8-92-5-8	1
	359098	Lower right 1532-42-50-1-62-70-1	1
	359096	Lower right 1584-90-1	1
	372671	Lower left (Female) 1502-5-12-5-22-5-72-5-82-5-8-92-5-8	1
	372095	Lower left (Male) 1502-5-12-5-22-5-72-5-82-5-8-92-5-8	1
	359099	Lower left 1532-42-50-1-62-70-1	1
	359097	Lower left 1584-90-1	1
	370552	Upper right (Female) 1502-5-12-5-22-5-72-5-82-5-8-92-5-8	1
	359060	Upper right 1532-42-50-1-62-70-1-84	1
	370553	Upper left (Female) 1502-5-12-5-22-5-72-5-82-5-8-92-5-8	1
	359061	Upper left 1532-42-50-1-62-70-1-84	1
	5861	(50.230) Lockwasher #8 shakeproof 1532-42-50-1-62-70-1-84	4
	7635	Nut 5/16-24 1505-15-25-75-85-8-95-8	2
	372694	Rivet 1502-5-12-5-22-5-72-5-82-5-8-92-5-8	4
	380561	(50.300) Screw #7 x 3/8 tapping 1505-15-25-75-85-8-95-8	4
	7430	(50.000) Screw #8-32 x 1/4 1532-42-50-1-62-70-1-84	4
	349054	Spring washer 1505-15-25-75-85-8-95-8	2
	359011	Washer 1584-90-1	4
	7068	Washer 3/8 (Lower spacer) 1502-5-12-5-22-5-72-75-82-85-88-90-91-92-95-98	x

INDEX NO.	PART NO.	DESCRIPTION AND MODELS	PER CAR
FRONT—WINDOW WING—Continued			
30.415		SPRING, Front door window wing pivot lower clamp	
	380486	1502-5-12-5-22-5-72-5-82-5-8-92-5-8	2
30.416		BRACKET, Front door window wing pivot upper	
	359266	Right 1532-42-50-51-62-70-71-84-90-1	1
	359267	Left 1532-42-50-51-62-70-71-84-90-1	1
	311430	(50.425) Rivet	4
30.4161		BRACKET, Front door window wing lower pivot	
	359286	Right 1584-90-1	1
	359287	Left 1584-90-1	1
30.4163		STOP WASHER, Front door window wing pivot lower	
	372703	(Upper) 1502-5-12-5-22-5-72-5-82-5-8-92-5-8	2
	380430	(Lower) 1502-5-12-5-22-5-72-5-82-5-8-92-5-8	2
30.418		REGULATOR ASSEMBLY, Front door window wing	
	359014	Right 1532-42-50-51-62-70-71	1
	366236	Right 1579	1
	359015	Left 1532-42-50-51-62-70-71	1
	366237	Left 1579	1
	337946	Spacer Right 1579-89-99	1
	325811	Spacer Left 1579-89-99	1
	359417	Screw 1/4-20 x 1-5/16 1532-42-50-51-62-70-71	4
	7335	(50.100) Nut 1/4 x 20 1532-42-50-51-62-70-71	4
	308769	Nut 1579	4
	5502	(50.220) Lockwasher 1/4 1532-42-50-51-62-70-71-79	4
	5937	(50.200) Plain washer 1/4 1532-42-50-51-62-70-71	4
30.419		HANDLE, Front door window wing regulator	
	374505	(Brown) 1532-42-50-1	2
	374504	(Gray) 1562-70-1	2
	363598	(Blue) 1579	2
	363838	(Green) 1579	2
	363366	(Maroon) 1579	2
	374522	(Brown) 1579	2
	132972	Pin 1579	2
	353149	Screw 1532-42-50-1-62-70-1	2
	331591	Washer (Bakelite) 1532-42-50-1-62-70-1	2
30.4205		PLATE, Front door window wing regulator handle escutcheon	
	374507	(Brown) 1532-42-50-1	2
	374506	(Gray) 1562-70-1	2
	363724	(Blue) 1579	2
	363831	(Green) 1579	2
	363723	(Maroon) 1579	2
	374523	(Brown) 1579	2
30.421		SPRING, Front door window wing regulator handle escutcheon plate	
	133264	1579	2
30.4213		GASKET, Front door window wing regulator handle escutcheon plate	
	366289	1532-42-50-51	2
30.422		INSERT, Front door window wing regulator handle	
	133339	1532-42-50-51-62-70-71-79-89-99	2
30.425		BRACKET, Front door window wing regulator housing	
	359288	Right 1532-42-50-51-62-70-71	1
	359289	Left 1532-42-50-51-62-70-71	1
30.431		DEFLECTOR, Front door window wing water	
	380468	Right 1502-5-12-5-22-5-72-5	1
	359110	Right 1532-42-50-1-62-70-1-84	1
	380469	Left 1502-5-12-5-22-5-72-5	1
	359111	Left 1532-42-50-1-62-70-1-84	1
	7649	(50.300) Screw #8 x 3/8 tapping	4

*Used on Clipper Four Door Sedans built after Jan. 1, 1942 only. All other body types have chrome trim.

INDEX NO.	PART NO.	DESCRIPTION AND MODELS	PER CAR
FRONT—WINDOW WING—Continued			
30.4315		DEFLECTOR EQUIPMENT, Front door window wing water	
	379137	Prime (contains one right and one left deflector) 1582-85-88-92-95-98	1
30.433		WEATHERSTRIP, Front door window wing	
	370400	Right 1502-5-12-5-22-5-72-5-82-5-8-92-5-8 ...	1
	357794	Right front 1532-42-50-1-62-70-1	1
	328968	Right front 1579	1
	354554	Right front (Top) 1579	1
	357796	Right 1584-90-1	1
	373821	Right top 1589-99	1
	373568	Right side & bottom 1589-99	1
	370401	Left 1502-5-12-5-22-5-72-5-82-5-8-92-5-8 ...	1
	357795	Left front 1532-42-50-1-62-70-1	1
	328969	Left front 1579	1
	354555	Left front (top) 1579	1
	357797	Left 1584-90-1	1
	373569	Left top 1589-99	1
	373820	Left side & bottom 1589-99	1
	359284	Rear 1532-42-50-1-62-70-1-84	2
30.4335		WEATHERSTRIP, Front door window wing division channel	
	372026	Right 1502-5-12-5-22-5-72-5-82-5-8-92-5-8 ...	1
	372027	Left 1502-5-12-5-22-5-72-5-82-5-8-92-5-8 ...	1
30.434		RETAINER ASSEMBLY, Front door window wing weatherstrip	
	380496	Right 1502-5-12-5-22-5-72-5-82-5-8-92-5-8 ...	1
	363114	Right front 1532-42-50-1-62-70-1	1
	359736	Right 1584-90-1	1
	380497	Left 1502-5-12-5-22-5-72-5-82-5-8-92-5-8 ...	1
	363115	Left front 1532-42-50-51-62-70-1	1
	359737	Left 1584-90-1	1
	357781	Rear 1532-42-50-1-62-70-1	2
	372892	Clip right	3
	372893	Clip left	3
	372684	Screw #8 x 1/4 tapping	4
	7649	(50.300) Screw #8 x 3/8 tapping	10
	372771	Rivet	4
REAR—PARTS			
30.438		MOULDING, Rear door belt	
	370188	(Chrome) Right 1502-12-22-72-82-92	1
	▲380566	(Prime) Right 1502-12-22-72-82-92	1
	370189	(Chrome) Left 1502-12-22-72-82-92	1
	▲380567	(Prime) Left 1502-12-22-72-82-92	1
	359656	1532-42-50-51-62-70-71-84-90-1	2
	376497	Clip 1502-12-22-72-82-92	12
	364327	Clip 1532-42-50-1-62-70-1-84-90-1	20
30.4380		BUMPER, Rear door	
	331576	(Upper corner) 1532-42-50-51-62-70-71-90-1 ..	2
30.4395		BUMPER, Rear door check stop bracket	
	308248	1532-42-50-1-62-70-1-90-1	2
	194607	Rivet 9/64 x 7/16 tubular	4
30.440		CHECK STRAP ASSEMBLY, Rear door	
	372190	1502-12-22-72-82-92	2
	342260	1532-42-50-51-62-70-71-84-90-1	2
	372287	Pivot pin 1502-12-22-72-82-92	2
	6651	Rivet	2
30.441		BRACKET, Rear door check strap	
	318583	1532-42-50-51-62-70-71-84-90-1	2
30.4412		BUMPER, Rear door check strap stop	
	372091	1502-12-22-72-82-92	2
	349480	1532-42-50-51-62-70-71-84-90-1	2
	370381	Retaining pin 1502-12-22-72-82-92	2
	370386	Retaining washer 1502-12-22-72-82-92	2
	349481	(50.200) Washer	2

INDEX NO.	PART NO.	DESCRIPTION AND MODELS	PER CAR
REAR—PARTS—Continued			
30.445		STRIKER, Rear door dove tail	
	325540	1532-42-50-51	2
	314926	1562-70-71-84-90-1	2
	6873	(50.002) Screw 1/4-28 x 5/8	4
	5899	(50.230) Lockwasher 5/16	4
30.446		HINGE ASSEMBLY, Rear door - upper	
	370594	Right 1502-12-22-72-82-92	1
	357462	Right 1532-42-62-84	1
	357464	Right 1550-1-70-1-90-1	1
	370595	Left 1502-12-22-72-82-92	1
	357463	Left 1532-42-62-84	1
	357465	Left 1550-1-70-1-90-1	1
30.447		HINGE ASSEMBLY, Rear door - lower	
	370596	Right 1502-12-22-72-82-92	1
	349616	Right 1532-42-62-84	1
	349614	Right 1550-1-70-1-90-1	1
	370597	Left 1502-12-22-72-82-92	1
	349617	Left 1532-42-62-84	1
	349615	Left 1550-1-70-1-90-1	1
30.4470		SCREW, Rear door hinge assembly	
	6932	(50.025) 5/16-18 x 1/2 1532-42-50-51-62-70-71-84-90-1	24
	376260	(To door) 1502-12-22-72-82-92	12
	372391	(To body) 1502-12-22-72-82-92	12
	376243	(To body - inside of pillar) 1502-12-22-72-82-92	4
	5385	(50.230) Lockwasher 5/16 shakeproof	24
30.448		PIN, Rear door hinge	
	372002	1502-12-22-72-82-92	4
	351357	(Std.) 1532-42-50-51-62-70-71-90-1	4
	351358	(.005 over) 1532-42-50-51-62-70-71-90-1	4
30.449		LOCK, Rear door	
	370280	(Paint) Right 1502-12-22-72-82-92	1
	380168	(Chrome) Right 1522	1
	359002	Right 1532-42-50-51	1
	359000	Right 1562-70-71-90-1	1
	342537	Right 1584	1
	370281	(Paint) Left 1502-12-22-72-82-92	1
	380169	(Chrome) Left 1522	1
	359003	Left 1532-42-50-51	1
	359001	Left 1562-70-71-90-1	1
	369347	Left 1584	1
	224887	Lockwasher 1/4	4
	5396	(50.230) Lockwasher 1/4	2
	366233	(50.002) Screw 1/4-28 x 9/16	6
30.450		HANDLE, Rear door lock	
	372870	(Chrome) Right 1502-12-22-72-82-92	1
	▲380660	(Paint) Right 1502-12-22-72-82-92	1
	▲337252	Right (Key lock type) 1532-50-70-90	1
	▲342901	Right (Key lock type) 1590	1
	372871	(Chrome) Left 1502-12-22-72-82-92	1
	▲380661	(Paint) Left 1502-12-22-72-82-92	1
	▲337124	Left 1532-50-70-90	1
	▲342905	Left 1590	1
	337124	1542-51-62-71-84	2
	▲337124	1591	2
	▲342905	1591	2
	6686	(50.230) Lockwasher #12	2
	372025	Screw #10-24 x 9/16 1502-12-22-72-82-92	4
	372909	Screw (Shank) 1502-12-22-72-82-92	2
	7470	(50.004) Screw #12-24 x 3/8 1532-42-50-1-62-70-1-84	2
	381006	Washer (Shank) 1502-12-22-72-82-92	2
30.451		CYLINDER LOCK, Rear door lock handle	
	337017	1520-32-50-70-90	1
	148842	Key 1532-50-70-90	x

*Used on Clipper Four Door Sedans built after Jan. 1, 1942 only. All other body types have chrome trim.
 ▲Has smooth surface - no design.
 ▲Has Fleur-de-lis design.

INDEX NO.	PART NO.	DESCRIPTION AND MODELS	PER CAR
REAR—PARTS—Continued			
30.452	GASKET, Rear door lock handle		
	372576 1502-12-22-72-82-92		2
	337638 (2-3/16" O.D.) 1532-42-50-1-62-70-1-84-90-1 ..		2
	349128 (1-3/8" O.D.) 1590-1		2
30.453	ROD, Rear door lock locking		
	357860 Right 1532-42-50-1-62-70-1-90-1		1
	357861 Left 1532-42-50-1-62-70-1-90-1		1
30.4537	MECHANISM ASSEMBLY, Rear door lock locking rod control		
	376044 Right 1502-12-22-72-82-92		1
	376045 Left 1502-12-22-72-82-92		1
30.454	KNOB, Rear door lock locking rod		
	349001 1532-42-50-51-62-70-71-90-1		2
	380307 (Supersedes 363784) 1502-12-22-72-82-92		2
30.456	REMOTE CONTROL ASSEMBLY, Rear door lock		
	372360 Right 1502-12-22-72-82-92		1
	342558 Right 1532-42-50-51-62-70-71-90-1		1
	374760 Right 1584		1
	372361 Left 1502-12-22-72-82-92		1
	342559 Left 1532-42-50-51-62-70-71-90-1		1
	374761 Left 1584		1
	328663 (50.150) Clinch nut 1/4-20		6
	7478 (50.000) Screw 1/4-20 x 1/2		6
	8084 (50.000) Screw 1/4-20 x 7/8 1584		3
	5502 (50.220) Lockwasher 1/4 1584		3
	6699 (50.230) Lockwasher 1/4 shakeproof		6
	7304 (50.100) Nut 1/4-20 1584		3
	369352 Spacer (Lower) 1584		1
	369351 Spacer (Upper) 1584		1
30.457	HANDLE, Rear door lock remote control		
	374043 (Chrome) 1502-12-22-72		2
	▲374770 (Paint) 1502-12-22-72-82-92		2
	245197 1532-42-50-1-62-70-1		2
	370184 (Chrome) 1582-92		2
	342207 1584-90-1		2
	132972 Pin		2
30.459	ESCUTCHEON PLATE, Rear door lock remote control handle		
	366678 (Blue) 1502-12		2
	366677 (Gray) 1522-72		2
	374502 1532-42-50-1		2
	374501 1562-70-1		2
	372465 (Brown) 1582-92		2
	359424 1584		2
	374326 1590-1		2
30.460	SPRING, Rear door lock remote control handle escutcheon plate		
	133264 1532-42-50-51-62-70-71-84-90-1		2
30.461	INSERT, Rear door lock remote control handle		
	133339 1532-42-50-51-62-70-71-84-90-1		2
30.463	EXTENSION, Rear door lock remote control connecting link		
	357867 1532-42-50-51-62-70-71-84-90-1		2
	7478 (50.000) Screw 1/4-20 x 1/2		2
	6699 (50.230) Lockwasher 1/4		2
30.464	ANTI-RATTLER, Rear door lock remote control link		
	325531 1532-42-50-51-62-70-71-84-90-1		2
30.465	STRIKER AND DOVE TAIL ASSEMBLY, Rear door lock		
	357739 1532-42-50-51		2
	357738 1562-70-71-84-90-1		2
	7481 (50.001) Screw 1/4-28 x 3/4		4
	5396 (50.230) Lockwasher 1/4		4

INDEX NO.	PART NO.	DESCRIPTION AND MODELS	PER CAR
REAR—PARTS—Continued			
30.466	STRIKER, Rear door lock		
	372940 (Paint) Right 1502-12-22-72-82-92		1
	380164 (Chrome) Right 1522		1
	372941 (Paint) Left 1502-12-22-72-82-92		1
	380165 (Chrome) Left 1522		1
	372868 (Paint) Screw 1502-12-22-72-82-92		6
	376698 (Chrome) Screw 1522		6
30.467	SHIM, Rear door lock striker		
	376225 (Thin) 1502-12-22-72-82-92		x
	376224 (Thick) 1502-12-22-72-82-92		x
	359622 1532-42-50-51-62-70-71-84-90-1		x
30.4679	HANDLE, Rear door pull to		
	372706 (Chrome) (Less brackets) 1522		2
	374774 (Paint) (Less brackets) 1522		2
	372711 (Chrome) (Complete) 1522		2
	374777 (Paint) (Complete) 1522		2
	369170 1584		2
	8072 Screw #8-32 x 3/8 1522		4
	5861 Washer 1522		4
	6914 Screw #10 x 1 1584		4
30.46798	ESCUTCHEON, Rear door pull to strap		
	372723 (Chrome) 1522		1
	374776 (Paint) 1522		1
30.469	WEATHERSTRIP, Rear door		
	376570 (Lower right) 1502-12-22-72-82-92		1
	376574 (Hinge side right) 1502-12-22-72-82-92		1
	372112 (Lock side & Upper right) 1502-12-22-72-82-92 ..		1
	376571 (Lower left) 1502-12-22-72-82-92		1
	376575 (Hinge side left) 1502-12-22-72-82-92		1
	372113 (Lock side & Upper left) 1502-12-22-72-82-92 ..		1
	349604 (Lower) 1532-42-50-51-62-70-71-84-90-1		2
	349605 (Upper) 1532-42-50-51-62-70-71-84-90-1		2
	8077 (50.300) Screw (hinge side) #8 x 1/2 1502-12-22-72-82-92		12
REAR—WINDOW			
30.479	DUST SEAL, Rear door window		
	376724 (Chrome) Right (Inner) 1502-12-22-72		1
	▲375658 (Paint) Right (Inner) 1502-12-22-72		1
	372204 Right (Inner) 1582-92		1
	376692 (Chrome) Right (Outer) 1502-12-22-72		1
	▲375660 (Paint) Right (Outer) 1502-12-22-72		1
	372206 Right (Outer) 1582-92		1
	376725 (Chrome) Left (Inner) 1502-12-22-72		1
	▲375659 (Paint) Left (Inner) 1502-12-22-72		1
	372205 Left (Inner) 1582-92		1
	376693 (Chrome) Left (Outer) 1502-12-22-72		1
	▲375661 (Paint) Left (Outer) 1502-12-22-72		1
	372207 Left (Outer) 1582-92		1
	357572 1532-42-50-1-62-70-1		4
	357572 1584		2
	384256 1590-1		4
	376506 Clip 1502-12-22-72-82-92		10
	337871 Clip 1532-42-50-1-62-70-1-84		20
30.480	MOULDING, Rear door window finishing - right		
	376734 1502-12		1
	376722 1522		1
	359596 1532		1
	359594 1542		1
	359592 1550-1		1
	374528 (Cloth trim) 1562		1
	374530 (Leather trim) 1562		1
	374524 (Cloth trim) 1570-1		1
	374526 (Leather trim) 1570-1		1
	376738 1572		1
	376730 1582-92		1
	374670 1584		1
	374338 1590-1		1

INDEX NO.	PART NO.	DESCRIPTION AND MODELS	PER CAR	INDEX NO.	PART NO.	DESCRIPTION AND MODELS	PER CAR
REAR—WINDOW—Continued				REAR—WINDOW—Continued			
30.481	MOULDING,	Rear door window finishing left		30.4958	SUPPORT,	Rear door window glass stop	
376735	1502-12	1	370479	1502-12-22-72-82-92	2
376723	1522	1	372355	Screw (Lower)	4
359597	1532	1	376237	Screw (Upper)	4
359595	1542	1	30.500	LIFTER ASSEMBLY,	Rear door window	
359593	1550-1	1	370436	Right 1502-12-22-72-82-92	1
374529	(Cloth trim) 1562	1	363708	Right 1532-42-50-1	1
374531	(Leather trim) 1562	1	357624	Right 1562-70-1-90-1	1
374525	(Cloth trim) 1570-1	1	369056	Right 1584	1
374527	(Leather trim) 1570-1	1	370437	Left 1502-12-22-72-82-92	1
376739	1572	1	363709	Left 1532-42-50-1	1
376731	1582-92	1	357625	Left 1562-70-1-90-1	1
374671	1584	1	369057	Left 1584	1
374339	1590-1	1	30.5005	CUSHION,	Rear door window lifter glass (Everseal)	
30.4810	SCREW,	Rear door window finishing moulding		376162	(.060) 1502-12-22-72-82-92	x
342860	#8 x 7/8 1502-12-22-72-82-92	12	376163	(.070) 1502-12-22-72-82-92	x
342861	#8 x 1-1/8 spl. #6 hd. 1532-42-50-51-62-70-71-84-90-1	14	376249	(.080) 1502-12-22-72-82-92	x
366442	Clip 1562-70-71-84-90-1	14	366354	(.060 x 1-1/4) 1532-42-50-51-62-70-71-84-90-1	x
359653	Clip (Cord welt) 1562-70-71-90-1	16	311439	(.070 x 1-1/4) 1532-42-50-51-62-70-71-84-90-1	x
359652	Clip (Cord welt upper corner) 1562-70-71-90-1	4	366355	(.080 x 1-1/4) 1532-42-50-51-62-70-71-84-90-1	x
235771	Ferrule #6 1532-42-50-51	14	353194	(.086 x 1-1/4) 1532-42-50-51-62-70-71-84-90-1	x
30.4815	TRIM STRIP,	Rear door window finishing moulding		314804	(.060 x 1-3/4) 1584	x
376610	(Chrome) 1502-12-72	2	314805	(.070 x 1-3/4) 1584	x
▲380645	(Paint) 1502-12-72	2	357601	(.080 x 1-3/4) 1584	x
376609	(Chrome) 1522	4	30.502	REGULATOR ASSEMBLY,	Rear door window	
▲380644	(Paint) 1522	4	370272	Right 1502-12-22-72-82-92	1
30.4818	PLATE,	Rear door window finishing moulding trim strip end		357638	Right 1562-70-1-84-90-1	1
374406	(Chrome) Right 1502-12-22-72	2	370273	Left 1502-12-22-72-82-92	1
▲380640	(Paint) Right 1502-12-22-72	2	357639	Left 1562-70-1-84-90-1	1
374407	(Chrome) Left 1502-12-22-72	2	363870	1532-42-50-1	2
▲380641	(Paint) Left 1502-12-22-72	2	5419	Screw 1/4-28 x 3/8 rnd. hd. 1532-42-50-1	8
375270	Nut	12	7478	Screw 1/4-20 x 1/2 rnd. hd. 1562-70-1-84	6
30.489	GLASS,	Rear door window		5447	(50.230) Lockwasher 1/4 external 1532-42-50-1	8
370041	1502-12-22-72-82-92	2	6699	(50.230) Lockwasher 1/4 shakeproof 1562-70-1-84	6
357616	1532	2	30.5025	BRACKET,	Rear door window regulator arm pivot	
357614	1542-62	2	363648	Right 1532-42-50-51	1
357615	1550-1-70-1	2	363649	Left 1532-42-50-51	1
365468	1584	2	220964	Clinch nut 1/4-28	8
374342	1590-1	2	30.5026	STUD,	Rear door window regulator arm pivot	
30.4916	FRAME,	Rear door window glass		363889	1532-42-50-51	2
369054	Right 1584	1	7585	Nut 3/8-24	2
369185	Left 1584	1	6597	(50.230) Lockwasher 3/8 external	2
8050	(50.002) Screw (To lifter) #8-32 x 1/4	4	363888	Washer Slotted	2
30.492	GLASS AND FRAME ASSEMBLY,	Rear door window		3877	(50.200) Washer 3/8 plain	2
365572	Right 1584	1	30.5027	GUIDE ASSEMBLY,	Rear door window regulator arm roller	
365573	Left 1584	1	363690	Right 1532-42-50-51	1
30.495	GLASS AND LIFTER ASSEMBLY,	Rear door window		363691	Left 1532-42-50-51	1
370162	Right 1502-12-22-72-82-92	1	5447	(50.230) Lockwasher 1/4 external	8
925383	Right 1532	1	5419	(50.000) Screw 1/4-28 x 3/8 rnd. hd.	8
925240	Right 1542	1	30.5032	CYLINDER ASSY.,	Rear door window regulator	
925418	Right 1550-1	1	363883	1532-42-50-51	2
925381	Right 1562	1	7142	(50.000) Screw 1/4-28 x 1/2 rnd. hd.	8
925377	Right 1570-1-90-1	1	5447	(50.230) Lockwasher 1/4 external	8
370163	Left 1502-12-22-72-82-92	1	7004	(50.100) Nut	8
925384	Left 1532	1	30.50325	BRACKET,	Rear door window regulator	
925419	Left 1542	1	363594	Front right & rear left 1532-42-50-1	2
925417	Left 1550-1	1	363595	Front left & rear right 1532-42-50-1	2
925382	Left 1562	1	7142	Screw 1/4-28 x 1/2 rnd. hd.	8
925378	Left 1570-1-90-1	1	30.5033	CLAMP,	Rear door window regulator cylinder	
30.4957	STOP,	Rear door window glass		363704	1532-42-50-51	4
370378	1502-12-22-72-82-92	2	30.5034	HOSE ASSY.,	Rear door window regulator cylinder to rear pillar solenoid	
372211	Screw	2	363715	1532-42-50-51	2
				358899	(50.600) Clip	2

▲ Used on Clipper Four Door Sedans built after Jan. 1, 1942 only. All other body types have chrome trim. 149

INDEX NO.	PART NO.	DESCRIPTION AND MODELS	PER CAR
REAR—WINDOW—Continued			
30.5034		HOSE ASSY., Rear door window regulator cylinder to rear pillar solenoid (Cont'd)	
	7417 (50.300) Screw #8 x 1/2 tapping	2
300614		Union nut 5/16	2
	6387 (50.200) Washer #8 plain	2
30.5035		GROMMET, Rear door window regulator cylinder to rear pillar solenoid hose	
	363878 1532-42-50-51	4
30.504		HANDLE, Rear door window regulator	
	366671 (Blue) 1502-12	2
	366672 (Gray) 1522-72	2
	374503 1562-70-1	2
	372466 (Brown) 1582-92	2
	359425 1584	2
	374327 1590-1	2
	132972 Pin	2
	331591 Washer 1542-50-1-62-70-1-84	2
30.5055		PLATE, Rear door window regulator handle escutcheon	
	366678 (Blue) 1502-12	2
	366677 (Gray) 1522-72	2
	374501 1562-70-1	2
	372465 (Brown) 1582-92	2
	359424 1584	2
	374326 1590-1	2
30.506		SPRING, Rear door window regulator handle escutcheon plate	
	133264 1502-12-22-72-82-92	2
	359053 1542-50-1-62-70-1-84	2
30.5072		ROD, Rear door window regulator cylinder piston	
	363852 1532-42-50-51	2
	363949 Clip	2
	366323 Washer plain	2
30.5074		SPRING, Rear door window regulator retracting	
	363874 1532-42-50-51	2
30.5075		SCREW, Rear door window regulator retracting spring adjusting	
	363713 1532-42-50-51	2
30.5076		PLUG, Rear door window regulator retracting spring adjusting screw	
	363879 1532-42-50-51	2
30.5077		HOSE, Rear door window regulator retracting spring silencer	
	363712 1532-42-50-51	2
30.508		RIM, Rear door window reveal finishing	
	372530 (Chrome) Right 1502-12-22-72-82-92	1
	▲380690 (Prime) Right 1502-12-22-72-82-92	1
	357454 Right 1532	1
	357452 Right 1542-62	1
	357450 Right 1550-1-70-1	1
	372531 (Chrome) Left 1502-12-22-72-82-92	1
	▲380691 (Prime) Left 1502-12-22-72-82-92	1
	357455 Left 1532	1
	357453 Left 1542-62	1
	357451 Left 1550-1-70-1	1
	375179 Clip 1502-12-22-72-82-92	14
	372619 Clip (end) 1502-12-22-72-82-92	2
	6762 (50.025) Screw #4 x 3/8 flat hd. 1532-42-50-1-62-70-1	x
30.5081		COVER, Rear door window reveal finishing rim joint	
	359624 1532-42-50-51-70-71	2

INDEX NO.	PART NO.	DESCRIPTION AND MODELS	PER CAR
REAR—WINDOW—Continued			
30.509		RUNWAY ASSEMBLY, Rear door window	
	376790 (Chrome) Upper & front right 1502-12-22-72	..	1
	▲375674 (Paint) Upper & front right 1502-12-22-72	...	1
	372804 Upper & front right 1582-92	1
	359464 Upper right 1532	1
	359482 Upper right 1542-62	1
	357588 Upper right 1550-1-70-1	1
	369186 Upper right 1584	1
	374258 Upper right 1590-1	1
	376791 (Chrome) Upper & front left 1502-12-22-72	...	1
	▲375675 (Paint) Upper & front left 1502-12-22-72	1
	372805 Upper & front left 1582-90	1
	359465 Upper left 1532	1
	359483 Upper left 1542-62	1
	357589 Upper left 1550-1-70-1	1
	369187 Upper left 1584	1
	374259 Upper left 1590-1	1
	357582 Lower 1532-42-50-1-70-1-84	4
	372638 Rear 1502-12-22-72-82-92	2
	6762 (50.025) Screw #4 x 3/8 flat hd.	x
	372147 Rivet 1502-12-22-72-82-92	2
30.510		RETAINER ASSEMBLY, Rear door window runway	
	370078 Front right 1502-12-22-72-82-92	1
	357855 Front right 1532-42-50-1-70-1-84-90-1	1
	376270 (Chrome) Rear right 1502-12-22-72-82-92	1
	▲380102 (Paint) Rear right 1502-12-22-72-82-92	1
	357856 Rear right 1532-42-50-1-70-1-84-90-1	1
	370079 Front left 1502-12-22-72-82-92	1
	357854 Front left 1532-42-50-1-70-1-84-90-1	1
	376271 (Chrome) Rear left 1502-12-22-72-82-92	1
	▲380103 (Paint) Rear left 1502-12-22-72-82-92	1
	357857 Rear left 1532-42-50-1-70-1-84-90-1	1
30.5101		SHIM, Rear door window runway	
	366147 1550-51-70-71-90-1	x
30.5103		BRACKET ASSEMBLY, Rear door window runway rear retainer (Lower)	
	372090 1502-12-22-72-82-92	2
30.5105		WEATHERSTRIP ASSEMBLY, Rear door window runway rear retainer and division	
	372800 Right 1502-12-22-72-82-92	1
	372801 Left 1502-12-22-72-82-92	1
REAR—WINDOW WING			
30.550		WINDOW WING ASSEMBLY, Rear door	
	370276 (Chrome) Right 1502-12-22-72-82-92	1
	▲381010 (Paint) Right 1502-12-22-72-82-92	1
	370277 (Chrome) Left 1502-12-22-72-82-92	1
	▲381011 (Paint) Left 1502-12-22-72-82-92	1
30.5503		WEATHERSTRIP ASSY., Rear door window wing division	
	372036 Right 1502-12-22-72-82-92	1
	372037 Left 1502-12-22-72-82-92	1
30.5505		DEFLECTOR, Rear door window wing draft	
	380050 Right 1502-12-82-92	1
	380052 Right 1522-72	1
	380051 Left 1502-12-82-92	1
	380053 Left 1522-72	1
30.5506		GROMMET, Rear door window wing draft deflector end	
	372918 (Lower) 1502-12-22-72-82-92	2
	372920 (Upper-right) 1502-12-22-72-82-92	1
	372921 (Upper-left) 1502-12-22-72-82-92	1
30.5507		BRACKET, Rear door window wing draft deflector division bar attaching	
	372797 1502-12-22-72-82-92	4
	8048 (50.300) Screw #4 x 5/8	4

INDEX NO.	PART NO.	DESCRIPTION AND MODELS	PER CAR
REAR—WINDOW WING—Continued			
30.551	GLASS, Rear door window wing		
	370396	1502-12-22-72-82-92	2
30.5515	GLASS AND RETAINER ASSY., Rear door window wing		
	376634	(Chrome) Right 1502-12-22-72-82-92	1
	▲381358	(Painted) Right 1502-12-22-72-82-92	1
	376635	(Chrome) Left 1502-12-22-72-82-92	1
	▲381359	(Painted) Left 1502-12-22-72-82-92	1
30.552	CUSHION, Rear door window wing glass		
	311429	(.070 x 1-1/4 everseal) 1502-12-22-72-82-92 .	x
	353194	(.086 x 1-1/4 everseal) 1502-12-22-72-82-92 .	x
30.5525	RETAINER, Rear door window wing glass		
	372780	(Chrome) Right 1502-12-22-72-82-92	1
	▲381004	(Paint) Right 1502-12-22-72-82-92	1
	372781	(Chrome) Left 1502-12-22-72-82-92	1
	▲381005	(Paint) Left 1502-12-22-72-82-92	1
30.5527	HANDLE, Rear door window wing lock		
	372798	(Chrome) Right 1502-12-22-72-82-92	1
	▲374846	(Paint) Right 1502-12-22-72-82-92	1
	372799	(Chrome) Left 1502-12-22-72-82-92	1
	▲374847	(Paint) Left 1502-12-22-72-82-92	1
	349055	Groove pin	2
	349054	Spring washer	2
30.5528	SHAFT, Rear door window wing lock handle		
	372999	1502-12-22-72-82-92	2
30.55290	PLATE, Rear door window wing lock striker		
	372959	1502-12-22-72-82-92	2
	376010	Rivet (To weatherstrip retainer)	4
30.553	PIVOT, Rear door window wing lower		
	372537	(Male) 1502-12-22-72-82-92	2
	372814	(Female - Right) 1502-12-22-72-82-92	1
	372815	(Female - Left) 1502-12-22-72-82-92	1
	7005	Nut	2
	376246	Rivet (to division bar)	4
	372694	Rivet (to glass retainer)	4
	380486	Spring	2
	7068	Washer 3/8	x
	372837	Washer upper	2
	380429	Washer lower	2
30.5535	STUD, Rear door window wing pivot - upper		
	372697	1502-12-22-72-82-92	2
	372702	Lockwasher	2
30.5537	BUSHING, Rear door window wing pivot upper stud		
	372696	1502-12-22-72-82-92	2
30.560	WEATHERSTRIP, Rear door window wing		
	370402	Right 1502-12-22-72-82-92	1
	370403	Left 1502-12-22-72-82-92	1
30.562	RETAINER ASSEMBLY, Rear door window wing weatherstrip		
	380498	Right 1502-12-22-72-82-92	1
	380497	Left 1502-12-22-72-82-92	1
	372684	Screw #8 x 1/4	4
30.564	CLIP, Rear door window wing weatherstrip retainer		
	372892	Right 1502-12-22-72-82-92	3
	372893	Left 1502-12-22-72-82-92	3

INDEX NO.	PART NO.	DESCRIPTION AND MODELS	PER CAR
CABLES			
30.600	CABLE ASSEMBLY, Electrical body feed		
	380016	LHD 1502-12	1
	375257	1505-15-75	1
	380011	1522	1
	375067	1525	1
	366492	1532	1
	366487	1542	1
	366501	1550	1
	366502	1551	1
	366483	1562	1
	366498	1570	1
	366496	1571	1
	380016	1572	1
	380019	1582-92	1
	369111	1584	1
	375053	1585-8-95-8	1
	359562	1590	1
	359561	1591	1
	380559	RHD 1502-12	1
30.6001	CONNECTOR TIP, Electrical body feed cable (male)		
	354696	1532-42-50-51-62-70-71-90-91	2
30.6003	TERMINAL, Electrical body feed cable		
	225377	(50.925) (11/64 eye) 1532	2
	71397	(50.925) (11/64 eye) 1532-42-50-1-62-70-1-90-1	1
	366607	(50.925) (5/32 eye) 1542-50-1-62-70-1-90-1 ..	2
30.6004	INSULATOR, Electrical body feed cable terminal		
	36111	(50.935) 1532	3
30.601	WIRING SET, Electrical body		
	380015	LHD 1502-12	1
	375051	1505-15-75	1
	380010	1525	1
	375052	1525	1
	366516	1532	1
	366480	1542	1
	366493	1550	1
	366494	1551	1
	366484	1562	1
	366489	1570	1
	366490	1571	1
	380015	1572	1
	366495	1579-89-99	1
	380018	1582-92	1
	374672	1584	1
	375050	1585-8-95-8	1
	374346	1590	1
	374347	1591	1
	380558	RHD 1502-12	1
CIGAR LIGHTER			
30.604	BASE, Ash tray cigar lighter		
	375447	(Chrome) 1502-5-12-15-22-72-75	x
	359894	1525-32-42-62	2
30.605	KNOB AND TIP, Ash tray cigar lighter		
	359893	(Chrome knob) 1502-5-12-15-22-72-75	1
	375831	(Ivory tenite knob) 1502-5-12-15-22-25-72-75. x	
	359893	1525-32-42-50-1-62-70-1-90-1	2
30.608	TIP, Ash tray cigar lighter		
	232380	20th Sr.	x
30.609	CABLE ASSEMBLY, Ash tray cigar lighter to body feed cable extension		
	375298	1505-15-25-75	x
	243571	1532-42-50-1-62-70-1-90-1	2
30.6090	TIP, Ash tray cigar lighter to body feed cable extension cable connector		
	354696	(Male) 1532-42-50-51-62-70-71-90-1	2
	240668	(Female) 1532-42-50-51-62-70-71-90-1	2

INDEX NO.	PART NO.	DESCRIPTION AND MODELS	PER CAR
CIGAR LIGHTER—Continued			
30.6093	INSULATOR, Ash tray cigar lighter to body feed cable terminal	36111 (50.935) 1532-42-50-51-62-70-71-90-1	2
30.610	CABLE ASSY., Ash tray cigar lighter to ground	325826 1505-15-25-32-42-50-1-62-70-1-5-90-91	x
	(Front seat back) 1522	375470	1
	7649 (50.300) Screw #8 x 3/8 tapping		x
	3866 Washer 3/16		x
30.6110	CLIP, Ash tray cigar lighter to ground cable	171863 (50.600) 1532-42-50-51-62-70-71-90-1	2
30.6111	TERMINAL, Ash tray cigar lighter to ground cable	33287 (50.925) (13/64 eye) 1532-42-50-51-62-70-71-90-1	2
30.61115	RETAINER ASSY., Front seat back cigar lighter	380068 (Chrome) 1502-12-22-72	1
	380614 (Paint) 1502-12-22-72		1
	380461 Spacer 1502-12-72		2
	380462 Spacer 1522		1
COURTESY LIGHT			
30.61125	COURTESY LIGHT, Electrical	376142 (Front) 1502-5-12-15-22-25-72-75	2
	366482 (Front) 1532-42-50-1-62-70-1-9-89-99		2
	375099 (Chrome) (Back of front seat) 1522		2
	374785 (Paint) (Back of front seat) 1522		2
	376351 (50.000) Screw 1502-12-22-72		2
	7983 (50.000) Screw #8-32 x 1/2 1505-15-25-75		2
	7775 Screw #8-32 x 5/16 rnd. hd. 1532-42-50-1-62-70-1-9-89-99		2
	8134 Screw #4 x 3/4 (Front seat-back) 1522		8
30.6113	CABLE ASSY., Electrical courtesy light (front)	372527 (To body fuse) 1502-5-12-15-22-25-72-75	1
	366476 (To body fuse) 1532-42-50-1-62-70-1-9-89-99		1
	372528 (To pillar switch) 1502-5-12-15-22-25-72-75		1
	366478 (To pillar switch) 1532-42-50-1-62-70-1-9-89-99		1
	373368 Connector 1502-5-12-15-22-25-72-75		4
30.61135	BRACKET, Electrical courtesy light	376125 1502-5-12-5-22-5-72-5	1
30.6114	BULB, Electrical courtesy light	56973 (6 volt-double contact - Mazda #82) 1502-5-12-15-22-25-72-75	2
	102590 (3 CP Mazda #63) 1532-42-50-51-62-70-71-79-89-99		2
30.6116	GLASS AND RIM, Electrical courtesy light	366512 1532-42-50-51-62-70-71-79-89-99	2
30.6117	REFLECTOR, Electrical courtesy light	366513 1532-42-50-51-62-70-71-79-89-99	2
30.6118	SWITCH, Electrical courtesy light	376784 (Front door operated) 1502-5-12-5-22-5-72-5	2
	342165 (Front door operated) 1532-42-50-51-62-70-71-79-89-99		2
	376784 (Rear door operated) 1522		2
	7794 Screw #4 x 1/2 tapping (to pillar) 1532-42-50-51-62-70-71-79-89-99		4
30.6119	PLATE, Electrical courtesy light switch hole cover	366521 1582-85-88-92-95-98	2
	6950 (50.300) Screw #6 x 3/8 tapping		4

DICTOGRAPH

30.612	RECEIVER, Dictograph	359817 1550-70	1
--------	----------------------	----------------	---

INDEX NO.	PART NO.	DESCRIPTION AND MODELS	PER CAR
DICTOGRAPH—Continued			
30.612	RECEIVER, Dictograph (Cont'd)	7439 (50.000) Screw #10-32 x 3/4 rnd. hd.	3
	5500 (50.220) Lockwasher #10		3
	7003 (50.100) Nut #10-32		3
30.613	BRACKET, Dictograph receiver attaching	359818 1550-70	1
	5504 (50.220) Lockwasher 5/16		1
	7005 (50.100) Nut 5/16-24		1
	7380 (50.003) Screw 5/16-24 x 3/4 hex. hd.		1
30.6131	PLATE, Dictograph receiver attaching bracket	363126 1550-70	1
30.614	TRANSMITTER, Dictograph	359815 1550-70	1
30.616	WINDER, Dictograph	359816 1550-70	1
	7431 (50.000) Screw #8 -32 x 5/16 rnd. hd.		2
	5225 (50.220) Lockwasher #8		2
30.6165	CABLE, Dictograph winder to receiver	326351 1550-70	1
30.618	BRACKET ASSEMBLY, Dictograph winder	326342 1550-70	1
	314151 (50.150) Clinch nut #8-32		2
	7649 (50.300) Screw #8 x 3/8 tapping		4
30.620	CABLE ASSY., Dictograph winder to ground	326352 1550-70	1
30.6201	TERMINAL, Dictograph winder to ground cable	33287 (50.925) 11/64 eye 1550-70	1
	7649 (50.300) Screw #8 x 3/8 tapping		1
	3866 (50.200) Washer 3/16 plain		1

DOME LIGHT

30.622	LIGHT ASSEMBLY, Electrical dome	337113 Front 1532-50-70-90	1
	372757 (Chrome) Rear 1502-5-12-15-25-72-75		1
	▲380639 (Paint) Rear 1502-12-72		1
	337113 Rear 1532		1
	337114 Rear 1550-70-90		1
	375099 (Chrome) Rear 1582-85-88-92-95-98		1
	▲374785 (Paint) Rear 1582-92		1
	359455 Rear - Center 1584		1
	369171 Partition - Front 1584		1
	337113 1542-51-62-71-91		1
	7545 Screw #4 x 1/2 (Rear) 1584		4
	4805 Woodscrew #4 x 1/2 (Partition) 1584		4
	4956 Woodscrew #4 x 3/4 1584		2
30.6220	BULB, Electrical dome light	102585 (Mazda #81 - 6 C.P.) 1532-42-50-51-62-70-71-84-90-1	x
	56973 (Mazda #82 - 6 volt) 1502-5-12-15-22-25-72-75-82-85-88-92-95-98		x
30.623	GLASS AND RIM, Electrical dome light	379314 1502-5-12-15-25-72-75	1
	337115 1532-42-50-51-62-70-71-90-1		x
	359456 (Rear - center lamp) 1584		1
30.624	CABLE ASSY., Electrical dome light to ground	331921 1542-62	1
	331921 Front 1532-50-70-90		1
	369119 Front 1584		1
	331921 Rear 1532		1
	337647 Rear 1550-70-90		1
30.6240	TERMINAL, Electrical dome light to ground cable	33287 (50.925) (13/64 eye) 1532-42-50-51-62-70-71-84-90-91	x
	36111 (50.935) Insulator		x

▲Used on Clipper Four Door Sedans built after Jan. 1, 1942 only. All other body types have chrome trim.

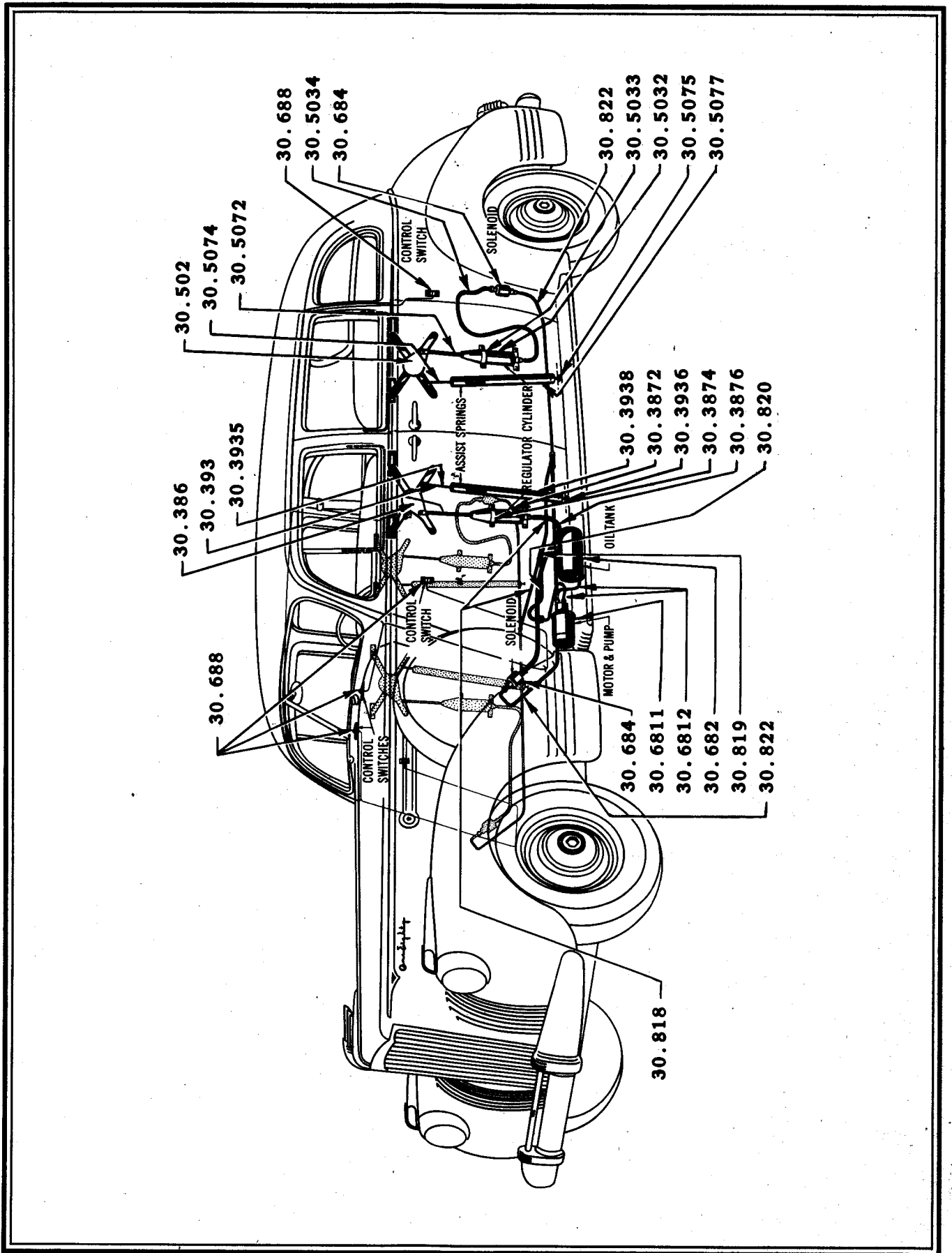
INDEX NO.	PART NO.	DESCRIPTION AND MODELS	PER CAR
DOME AND READING LIGHT—Continued			
30.6240	TERMINAL, Electrical dome light to ground cable (Cont'd)		
	7649 (50.300) Screw #8 x 3/8 tapping		x
	3866 (50.200) Washer 3/16 plain		x
30.625	REFLECTOR, Electrical dome light		
	235161 (1 socket) 1532-42-50-51-62-70-71-90-91		x
	235175 (2 sockets) 1550-70-90		1
	359457 (Rear - center lamp) 1584		1
	4809 (50.340) Woodscrew #8 x 1/2 flat hd. 1532-42-50-51-62-70-71-90-1		x
30.626	SWITCH, Electrical dome light		
	375217 (Manual) (Blue) 1502-5-12-15		1
	375218 (Manual) (Gray) 1525-72-75		1
	374396 (Manual) 1532-42-51		1
	374397 (Manual) 1550		2
	374398 (Manual) 1562-71-91		2
	374399 (Manual) 1570-90		2
	372806 (Manual) (Brown) 1582-85-88-92-95-98		1
	363767 (Manual - Rear - Center) 1584		1
	369320 (Manual - Partition & Meter) 1584		1
	342165 (Door operated) 1532-42-50-1-62-70-1-84-90-1		2
	7999 (50.300) Screw #4 x 3/4 (For manual switch) 1502-5-12-15-22-25-72-75-82-85-88-92-95-98		2
	6950 (50.300) Screw #6 x 3/8 (For door operated switch) 1502-12-22-72		4
	7794 (50.025) Screw 4 x 1/2 tapping (For door operated switch) 1532-42-50-51-62-70-71-90-1		4
	349640 Screw #4 x 3/4 (Rear) 1584		2
	4952 Woodscrew #4 x 1/2 (Partition) 1584		4
30.628	CABLE ASSY., Electrical dome light to switch		
	372525 1502-12-72		1
	375054 1505-15-25-75-85-88-95-98		1
	380012 1522		1
	349338 (Dome light switch to door switch) 1532		1
	366477 1542-62		1
	349262 (Dome light switch to door switch) 1550-70-90		1
	325887 (Front switch to rear switch) 1550-70-90		2
	325886 Rear 1550-70-90		1
	366504 1551-71-91		1
	380020 1582-92		1
	369116 (Partition light to switch) 1584		1
	374469 (Rear center light to switch) 1584		1
30.6280	TERMINAL, Electrical dome light (front) to rheostat switch cable		
	33287 (50.925) 13/64 eye 1532-50-70-90		1
	71397 (50.925) 11/64 eye 1532-50-70-90		1
	36111 (50.935) Insulator		2
30.629	PLATE, Electrical dome light switch		
	337111 1532-42-51-62-71-91		1
	337112 1550-70-90		2
	366521 (Rear door) 1582-92		2
	349640 Screw #4 x 3/4 oval hd. (To pillar) 1532-42-50-1-62-70-1		2
	6787 Woodscrew #4 x 3/4 oval hd. (To partition) 1550-70		2
LICENSE LAMP			
30.634	LAMP (LICENSE) ASSEMBLY (For license lamp handle see 31.173)		
	371474 (Chrome) 1502-5-12-15-22-5-72-5-82-5-8-92-5-8		1
	▲379944 (Prime) 1502-12-22-72-82-92		1
	358114 1532-42-50-1-62-70-1-9-89-90-1-9		1
	369247 1584		1
	6788 Lockwasher 1/4 1502-5-12-15-22-5-72-5-82-5-8-92-5-8		2
	6699 (50.230) Lockwasher 1/4 internal 1532-42-50-1-62-70-1-9-89-90-1-9		1

INDEX NO.	PART NO.	DESCRIPTION AND MODELS	PER CAR
LICENSE LAMP—Continued			
30.634	LAMP (LICENSE) ASSEMBLY (For license lamp handle see 31.173) (Cont'd)		
	5502 (50.220) Lockwasher 1/4 1532-42-50-1-62-70-1-9-89-90-1-9		1
	7304 (50.100) Nut 1/4-20 1502-5-12-15-22-5-72-5-82-5-8-92-5-8		2
	7004 (50.100) Nut 1/4-28 1532-42-50-1-62-70-1-9-89-90-1-9		1
	7115 (50.100) Nut 1/4 1584		2
	7039 Screw 1/4-28 x 1-7/8 1532-42-50-1-62-70-1-9-89-90-1-9		1
	351749 Stud 1579-89-99		1
30.635	GASKET, Lamp (license) assembly (to body)		
	348176 1532-42-50-1-62-70-1-90-1		1
	358159 1579-89-99		1
30.6355	GASKET, Lamp (license) assembly (to stone shield)		
	371696 1502-5-12-15-22-5-72-5-82-5-6-8-92-5-8		1
30.636	BODY, Lamp (license)		
	371695 1502-5-12-15-22-5-72-5-82-5-8-92-5-8		1
	358112 1532-42-50-1-62-70-1-9-89-90-1-9		1
30.6365	BODY AND SOCKET ASSEMBLY, Lamp (license)		
	378150 1502-5-12-15-22-25-72-75-82-85-88-92-95-98		1
30.6370	BULB, Lamp (license)		
	102590 (50.960) (3 C.P. - 6 volt Mazda #63) 20th Sr.		1
30.6395	SUPPORT, Lamp (license) bulb holder		
	371697 1502-5-12-15-22-5-72-5-82-5-8-92-5-8		1
30.642	SOCKET AND CABLE ASSY., Lamp (license) bulb		
	348901 1532-42-50-1-62-70-1-9-89-90-1-9		1
30.643	SOCKET ASSEMBLY, Lamp (license) bulb		
	362620 1502-5-12-15-22-5-72-5-82-5-8-92-5-8		1
30.648	SPRING, Lamp (license) bulb socket		
	371723 1502-5-12-15-22-5-72-5-82-5-8-92-5-8		1
30.6480	WASHER, Lamp (license) bulb socket		
	335855 1502-5-12-15-22-5-72-5-82-5-8-92-5-8		1
30.649	CABLE ASSEMBLY, Lamp (license)		
	371700 1502-5-12-15-22-5-72-5-82-5-8-92-5-8		1
	348898 1532-42-50-1-62-70-1-90-1		1
	348899 1579-89-99		1
	378685 1584		1
	371211 Clip 1502-5-12-15-22-5-72-5-82-5-8-92-5-8		1
	373367 Terminal 1502-5-12-15-22-5-72-5-82-5-8-92-5-8		1
30.6490	CONNECTOR, Lamp (license) cable		
	240669 3 wire 1532-42-50-1-62-70-1-9-89-90-1-9		1
	373368 1584		1
30.6492	GROMMET, Lamp (license) cable to trunk lid panel inner		
	170401 1532-42-50-1-62-70-1-9-89-90-1-9		1
30.6497	DOOR, Lamp (license)		
	371692 (Chrome) 1502-5-12-15-22-5-72-5-82-5-8-92-5-8		1
	▲379945 (Prime) 1502-12-22-72-82-92		1
	371699 Screw (Chrome)		2
	▲379946 Screw (Painted)		2
30.650	GLASS, Lamp (license)		
	371693 1502-5-12-15-22-5-72-5-82-5-8-92-5-8		1
	348663 1532-42-50-1-62-70-1-9-89-90-1-9		1
	378990 1584		1
30.651	GASKET, Lamp (license) glass		
	371694 1502-5-12-15-22-5-72-5-82-5-8-92-5-8		1
	348664 1532-42-50-1-62-70-1-9-89-90-1-9		1

*Used on Clipper Four Door Sedans built after Jan. 1, 1942 only. All other body types have chrome trim.

INDEX NO.	PART NO.	DESCRIPTION AND MODELS	PER CAR
LICENSE LAMP—Continued			
30.652	RETAINER, Lamp (license) glass		
351755	1532-42-50-1-62-70-1-9-89-90-1-9	1
378989	1584	1
30.657	BRACKET, Lamp (license) tag		
371369	Lower 1502-5-12-15-22-5-72-5-82-5-8-92-5-8	..	1
348178	Lower 1532-42-50-1-62-70-1-9-89-90-1-9	1
324682	Upper 20th Sr.	1
369065	1584	1
5502	(50.220) Lockwasher 1/4 1502-5-12-15-22-5-72-5-82-5-8-92-5-8	1
7054	Lockwasher #10 1532-42-50-1-62-70-1-9-89-90-1-9	2
6699	(50.230) Lockwasher 1/4 1532-42-50-1-62-70-1-9-89-99	1
7004	(50.100) Nut 1/4-28	1
371387	Screw 1502-5-12-15-22-5-72-5-82-5-8-92-5-8	..	1
364702	Screw 1/4-28 x 3" 1532-42-50-1-62-70-1	1
364688	Screw 1/4-28 x 3-1/2 1579-89-99	1
7319	(50.200) Washer 1/4 1502-5-12-15-22-5-72-5-82-5-8-92-5-8	1
30.6570	GASKET, Lamp (license) bracket (lower)		
371385	(To body panel) 1502-5-12-15-22-5-72-5-82-5-6-8-92-5-8	1
369163	1584	1
30.6571	SPACER, Lamp (license) tag bracket adjusting screw		
364687	Inner 1532-42-50-1-62-70-1-9-89-90-1-9	1
364685	Outer 1532-42-50-1-62-70-1-90-1	1
364686	Outer 1579-89-99	1
371372	1522-5-72-5-82-5-6-8-92-5-8	1
212713	Body washer	1
30.658	PLATE ASSEMBLY, Lamp (license) tag bracket lower and bracket		
348177	1532-42-50-1-62-70-1-9-89-90-1-9	1
7460	(50.004) Screw #10-24 x 3/8	2
30.6580	PLATE, Lamp (license) tag bracket		
341156	20th Sr.	1
PARTITION LIGHT			
30.6595	BULB, Partition card case light		
102590	1584	1
30.6596	SOCKET ASSY., Partition card case light		
369368	1584	1
30.6597	SOCKET AND BRACKET ASSEMBLY, Partition card case light		
365513	1584	1
4815	Woodscrew #6 x 3/4	1
QUARTER LIGHT			
30.660	QUARTER LIGHT, Electrical rear		
375099	(Chrome) 1522	2
374785	(Painted) 1522	2
245204	1532-42-50-1	2
8134	(50.000) Screw #4 x 3/4 1522	8
7450	(50.000) Screw #10-32 x 5/8 1532-42-50-1	2
30.6600	BULB, Electrical rear quarter light		
56973	(Mazda #82) 1522	2
102590	(Mazda #63) 1532-42-50-1	2
30.661	CABLE ASSEMBLY, Electrical rear quarter light (to ground)		
241588	1532-42-50-51	2
7649	(50.300) Screw #8 x 3/4 tapping	2
5756	(50.000) Set screw #6-40 x 1/4 rnd. hd.	2
33287	(50.925) Terminal	2
3866	(50.200) Washer 3/16 plain	2

INDEX NO.	PART NO.	DESCRIPTION AND MODELS	PER CAR
QUARTER LIGHT—Continued			
30.662	CABLE ASSEMBLY, Electrical rear quarter light (to switch)		
241578	1532	1
363821	1542	1
363822	1550	1
363823	1551	1
30.663	GLASS AND RIM, Electrical rear quarter light		
245205	1532-42-50-51	2
30.664	REFLECTOR, Electrical rear quarter light		
183836	1532-42-50-51	2
30.665	SWITCH, Electrical rear quarter light		
376784	(Door operated) 1502-12-22-72	2
375218	(Manual) (Gray) 1522	2
374396	(2 point) 1532-42-50-51	1
30.666	PLATE, Electrical rear quarter light switch		
337111	1532-42-50-51	1
349640	Screw #4 x 3/4 oval hd.	2
TRUNK COMPT. LIGHT			
30.667	LIGHT ASSEMBLY, Electrical trunk compartment		
342521	1532-42-50-1-62-70-1-9-89-99	1
7399	(50.000) Screw #6-32 x 5/8	2
6473	(50.230) Lockwasher #6	4
6474	(50.100) Nut #6-32	2
30.6670	BULB, Electrical trunk compartment light		
225655	(Mazda #55) 1532-42-50-1-62-70-1-9-89-99	1
30.6673	BRACKET, Trunk compartment light		
363101	1532-42-50-1-62-70-1-9-89-99	1
VANITY CABINET LIGHT			
30.6675	BULB, Electrical vanity cabinet light		
102590	(Mazda #63) 1532	2
30.668	CABLE ASSEMBLY, Electrical vanity cabinet light (to ground)		
241589	1532	2
7649	(50.300) Screw #8 x 3/8 tapping	2
33287	(50.925) Terminal	4
3866	(50.200) Washer plain	2
30.669	CABLE ASSY., Electrical vanity cabinet light (to switch)		
235206	1532	2
225377	(50.925) Terminal	2
30.670	SOCKET, Electrical vanity cabinet light disconnecter plug		
107654	1532	2
5751	(50.340) Woodscrew	4
WINDOW REGULATOR			
30.680	CABLE ASSEMBLY, Window regulator		
364966	Lower (Solenoid to electric motor) 1532-42-50-51	1
364970	Lower (Solenoid to relay) 1532-42-50-51	1
364967	Upper (Solenoid to electric motor) 1532-42-50-51	1
364969	Upper (Solenoid to relay) 1532-42-50-51	1
364985	(Solenoid to relay ground) 1532-42-50-51	1
364530	(Solenoid to starter motor) 1532-42-50-51	1
366083	(Left rear switch on instrument board to left front switch on door and to left and right switch in quarter) 1532-42	1
366081	(Right rear switch on instrument board to right front switch on door and right and left switch in quarter) 1532-42	1



ELECTRICAL WINDOW REGULATOR

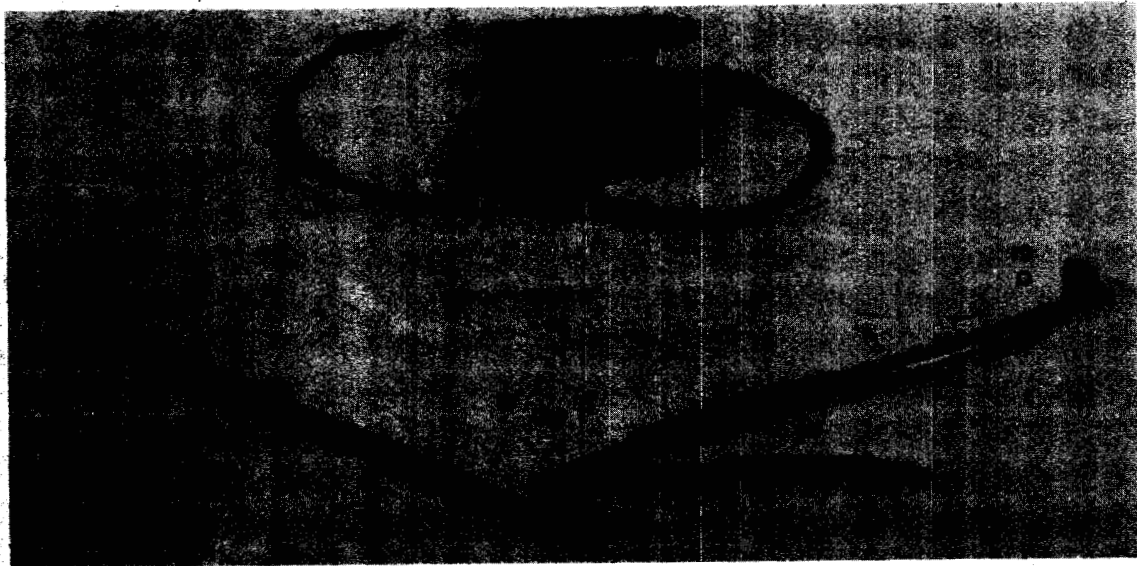
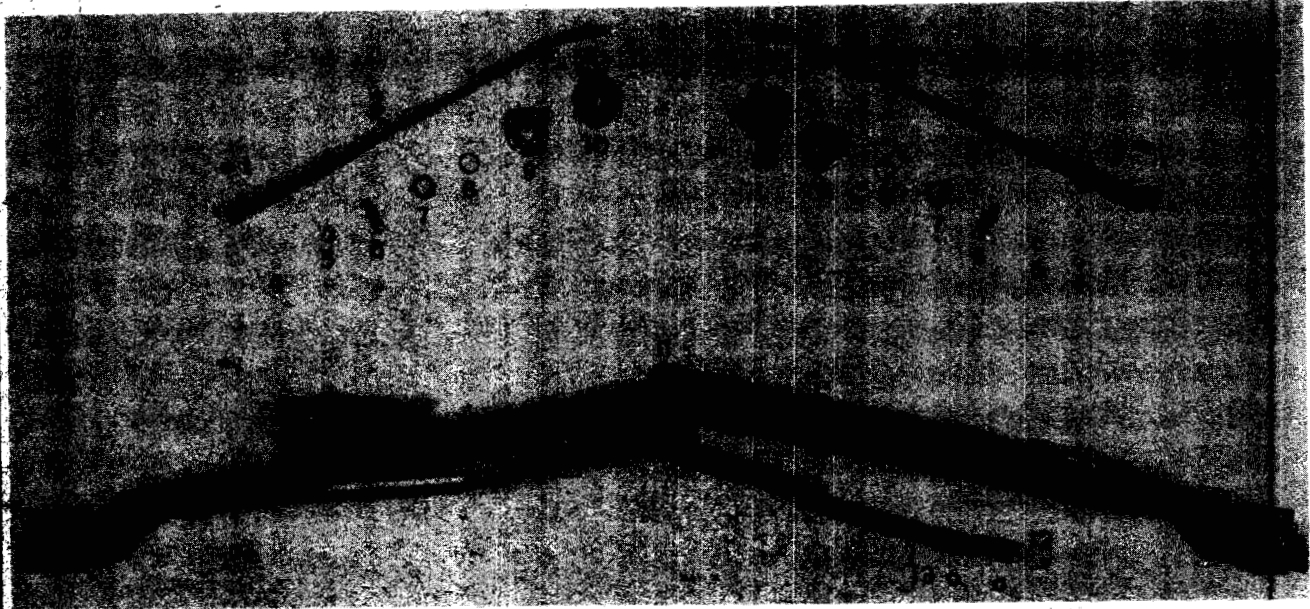
INDEX NO.	PART NO.	DESCRIPTION AND MODELS	PER CAR
WINDOW REGULATOR—Continued			
30.680	CABLE ASSEMBLY, Window regulator (Cont'd)		
366087		(Rear switch on instrument board to rear switch in quarter and rear solenoid) 1532-42	2
366079		(Switch feed) 1532-42	1
366202		(Front switch on door to front solenoid) 1532-42-50-1	2
366214		(Right rear switch on instrument board to right front switch on door) 1532-42-51	1
366215		(Left rear switch on instrument board to left front switch on door) 1532-42-51	1
366213		(Left rear switch on instrument board to left front switch on door feed) 1532-42-51	1
366207		(Right front switch on door and right and left switch in quarter cable to junction block) 1550	1
366201		(Left front switch on door feed cable to junction block) 1550	1
366204		(Left front switch on door and right and left switch in quarter to junction block) 1550	1
366084		(Partition solenoid to right and left switch in quarter) 1550	1
366085		(Partition solenoid to right and left switch in quarter) 1550	1
366596		(Rear switch in quarter to rear solenoid) 1550	2
366206		(Left front switch on door cable to junction block) 1550	1
366205		(Right front switch on door cable to junction block) 1550	1
366210		(Switch feed) 1550	1
366082		(Left rear switch on instrument board to left front switch on door and to left and right switch in quarter) 1551	1
366086		(Rear switch on instrument board to rear switch in quarter and rear solenoid) 1551	2
366078		(Switch feed) 1551	1
225377		Terminal 5/32 - eye 1532-42-50-1	x
33287		(50.925) Terminal 13/64 - eye 1532-42-50-1	x
36111		(50.935) Terminal insulator 1532-42-50-1	x
30.6805	JUNCTION BLOCK ASSEMBLY, Window regulator cable		
351167		1550	1
5935		(50.230) Lockwasher #10 internal	2
7003		(50.100) Nut #10-32	2
225505		Screw	2
30.681	CONDUIT, Window regulator front door to front frame cable		
363948		1532-42-50-1	2
363878		(50.940) Grommet	4
30.6811	MOTOR AND PUMP ASSY., Window regulator electric		
364280		1532-42-50-51	1
5504		(50.220) Lockwasher 5/16	6
7305		(50.100) Nut 5/16-18	6
364886		Stud	3
30.6812	TUBE ASSEMBLY, Window regulator		
364449		(Motor to oil tank) 1532-42-50-51	1
364852		(Motor to body) 1532-42-50-51-62-70-71	1
364731		Clip	2
30.6813	GROUND STRAP, Window regulator electric motor		
333608		1532-42-50-51	1
30.6814	RELAY, Window regulator electric motor		
364882		1532-42-50-51	1
6620		(50.300) Screw #10 x 1/2 tapping	2
30.6815	SUPPORT, Window regulator electric motor		
364714		1532-42-50-51	1
5504		(50.220) Lockwasher 5/16	4
7005		(50.100) Nut 5/16 - 24	4

INDEX NO.	PART NO.	DESCRIPTION AND MODELS	PER CAR
WINDOW REGULATOR—Continued			
30.6815	SUPPORT, Window regulator electric motor (Cont'd)		
6359		(50.200) Plain washer 5/16	4
7380		(50.003) Screw 5/16-24 x 3/4	4
30.682	TANK ASSEMBLY, Window regulator oil		
364143		1532-42-50-51	1
5502		(50.220) Lockwasher 1/4	4
7004		(50.100) Nut 1/4-28	2
7125		(50.003) Screw 1/4-28 x 5/8	4
30.683	CAP, Window regulator oil tank filler		
364140		1532-42-50-51	1
30.684	SOLENOID, Window regulator		
363899		1532-42-50-51	4
30.6845	ANTI-RATTLER, Window regulator solenoid		
328601		1532-42-50-51	2
30.685	SOLENOID AND ANTI-RATTLER ASSEMBLY, Window regulator		
364937		1532-42-50-51	1
30.6851	CLAMP, Window regulator solenoid		
363705		1532-42-50-51	4
6510		(50.000) Screw 1/4-28 x 5/8	4
5447		(50.230) Lockwasher 1/4	4
7004		(50.100) Nut 1/4-28	4
30.688	SWITCH, Window regulator		
374756		(Front door) 1532-42-50-1	2
374758		(Rear door & partition) 1532-50	2
374756		(Rear door) 1542-51	2
374757		(Instrument board rear door control) 1532-42-51	2
7586		Screw #6 x 3/4	x
7017		Screw #6 x 1/2	4
30.6882	CIRCUIT BREAKER, Window regulator wiring		
364591		1532-42-50-51	1
30.6884	CLAMP, Window regulator wiring circuit breaker		
364595		1532-42-50-51	2
8224		(50.002) Screw #10-32 x 5/8	2
5500		(50.220) Lockwasher #10	2
7003		(50.100) Nut #10-32	2
30.6886	SCREW, Window regulator wiring circuit breaker contact		
7430		(50.000) #8-32 x 1/4 1532-42-50-51	2
5695		(50.220) Lockwasher #8	2
30.689	WIRING HARNESS ASSEMBLY, Window regulator		
364968		1532-50	1
364971		1542-51	1
367955		Clip (To relay)	1
WINDSHIELD WIPER			
30.7015	SPACER, Windshield cleaner driver cowl panel		
376002		(Chrome) 1502-5-12-5-22-5-72-5-82-5-8-92-5-8.	2
▲380681		(Paint) 1502-12-22-72-82-92	2
359611		1532-42-50-1-62-70-1-9-84-9-90-1-9	2
30.7016	GASKET, Windshield cleaner driver cowl panel spacer		
376003		1502-5-12-5-22-5-72-5-82-5-8-92-5-8	2
359942		1532-42-50-1-62-70-1-9-84-9-90-1-9	2
30.7021	LOCK NUT, Windshield cleaner driver sleeve		
376165		1502-5-12-15-22-25-72-75-82-85-88-92-95-98	2
359613		1532-42-50-1-62-70-1-9-84-9-90-1-9	2
30.7022	WASHER, Windshield cleaner driver sleeve lock nut		
376166		1502-5-12-5-22-5-72-5-82-5-8-92-5-8	2
359614		1532-42-50-1-62-70-1-9-84-9-90-1-9	2

Used on Clipper Four Door Sedans built after Jan. 1, 1942 only. All other body types have chrome trim.

INDEX NO.	PART NO.	DESCRIPTION AND MODELS	PER CAR
WINDSHIELD WIPER—Continued			
30.703		MOTOR ASSEMBLY, Windshield cleaner (complete)	
	376006	LHD 1502-5-12-5-22-5-72-5-82-5-8-92-5-8	1
	359610	LHD 1532-42-50-1-62-70-1-9-84-9-99	1
	374694	RHD 1532-42-50-1-62-70-1-9-89-90-1-9	1
30.7033		BRACE, Windshield cleaner dash	
	376047	1502-5-12-15-22-25-72-75-82-85-88-92-95-98 ..	1
	5502	(50.220) Lockwasher 1/4	1
	5935	(50.230) Lockwasher #10	2
	5870	(50.000) Screw #10-32 x 1/2	2
	6612	(50.000) Screw 1/4-20 x 1/2	1
30.7045		TIE ROD, Windshield cleaner motor mounting to dash	
	359891	1532-42-50-1-62-70-1-9-84-9-90-1-9	1
	6597	(50.230) Lockwasher 3/8 external	2
	7006	(50.100) Nut 3/8-24	2
30.705		SWITCH, Windshield cleaner motor	
	376665	1502-5-12-5-22-5-72-5-82-5-8-92-5-8	1
	349126	1532-42-50-1-62-70-1-9-84-9-90-1-9	1
30.706		KNOB ASSEMBLY, Windshield cleaner motor	
	375057	(Blue) 1502-5-12-15	1
	375058	(Gray) 1522-5-72-5	1
	374434	1532-42-50-1	1
	374433	1562-70-1-90-1	1
	374616	(Brown) 1579-89-99	1
	359906	(Blue) 1579-89-99	1
	363322	(Maroon) 1579-89-99	1
	372925	(Brown) 1582-5-8-92-5-8	1
	363320	(Green) 1584-9-99	1
30.707		BASE, Windshield cleaner motor switch knob	
	333269	(Chrome) All models	1
30.708		BASKET, Windshield cleaner motor switch knob base	
	349529	All models	1
30.7085		BLADE, Windshield cleaner wiper	
	379362	All models	2
30.709		ARM ASSEMBLY, Windshield cleaner wiper	
	376004	Right 1502-5-12-5-22-5-72-5-82-5-8-92-5-8 ...	1
	359618	Right 1532-42-50-1-62-70-1-9-84-9-90-1-9	1
	376005	Left 1502-5-12-5-22-5-72-5-82-5-8-92-5-8	1
	359619	Left 1532-42-50-1-62-70-1-9-84-9-90-1-9	1
	342929	Lock nut	2

INDEX NO.	PART NO.	DESCRIPTION AND MODELS	PER CAR
WINDSHIELD WIPER—Continued			
30.765		WINDSHIELD WIPER PARTS FOR 1502-5-12-5-22-5-72-5-82-5-8-92-5-8 (See illustration)	
GUIDE NO.	DESCRIPTION	PART NO.	PER CAR
1	Slotted head nut	SW-101511	2
2	Wiper arm - L.H. (see code 30.709).	SW-450002	1
3	Wiper arm - R.H. (see code 30.709).	SW-450001	1
4	Wiper arm retaining ring	SW-104054	2
5	Wiper arm washer	SW-104057	2
6	Wiper arm spring	SW-104138	2
7	Wiper arm slotted nut	SW-450078	2
8	Wiper arm outside fibre spacer	SW-450077	2
9	Wiper arm outside spacer	SW-450003	2
10	Wiper arm outside rubber gasket ...	SW-450004	2
11	Frame and links assembly	SW-450024	1
12	Clip - small	SW-105821	1
13	Washer	SW- 79094	2
14	Drive unit and bracket assembly ...	SW-450036	1
15	No. 8 - 32 x 3/8 R.H. Screw	SW- 67039	2
16	Lock Washer	SW- 76901	2
17	Clip - large	SW-106339	1
18	Washer	SW- 844	1
19	Washer	SW- 843	2
20	Linkage and shaft assembly	SW-450023	1
21	Switch and cable	SW-450074	1
22	Bracket gear and crank assembly ...	SW-450035	1
23	Washer	SW- 844	1
24	Cable assembly	SW-450073	1
25	Housing gasket	SW-104026	1
26	Hex nut	SW- 99491	2
27	Lock Washer	SW- 76901	2
28	Klixon	SW-450051	1
29	Resistor	SW-450075	1
30	Motor (electric) (see code 30.703).	SW-450006	1
31	Motor link spring	SW-450060	1
32	Motor drive link	SW-450067	1
33	Motor gasket	SW-104047	1
34	Housing end terminal	SW-450071	1
35	Lock Washer assembly	SW- 76842	2
36	No. 8 - 32 x 9-32 R.H. Screw	SW- 79206	1
37	No. 8 - 32 x 5/16 R.H. Screw	SW- 63529	1
30.765		WINDSHIELD WIPER PARTS FOR 1532-42-50-1-62-70-1-9-89-90-1-9 (See illustration)	
GUIDE NO.	DESCRIPTION	PART NO.	
1	Slotted Head Nut	SW-101511	
2	Wiper Arm Left (See code 30.709) ...	SW-104112	
3	Wiper Arm Right (See code 30.709) ..	SW-104114	
4	Wiper Arm Spring	SW-104138	
5	Octagon Nut	SW-104005	
6	Fiber Washer	SW-104056	
7	Outside Spacer	SW-104068	
8	Rubber Gasket	SW-104083	
9	Retaining Ring	SW-105821	
10	Washers	SW- 79094	
11	FRAME AND LINKS ASSEMBLY	SW-104123	
12	Oiless Bushing	SW-101535	
13	Linage and Shafts Assembly	SW-104118	
14	Washer	SW-104057	
15	Retaining Ring	SW-104054	
16	Washer	SW- 844	
17	Washer	SW- 844	
18	Retaining Ring	SW-104054	
19	Washer	SW- 843	
20	Screw (#8-32 x 5/16)	SW- 63529	
21	Lockwasher	SW- 76901	



WINDSHIELD WIPER (CLIPPER TYPE)



WINDSHIELD WIPER (For 1532-42-50-1-62-70-1-9-89-99)

INDEX NO.	PART NO.	DESCRIPTION AND MODELS	PER CAR
WINDSHIELD WIPER—Continued			
30.765		WINDSHIELD WIPER PARTS FOR 1532-42-50-1-62-70-1-9-89-90-1-9 (See illustration) (Cont'd)	
GUIDE			
NO.	DESCRIPTION	PART NO.	
22	DRIVE UNIT AND BRACKET	SW-104124	
23	Cable Assembly	SW-101584	
24	Cable and Switch Assembly	SW-104109	
25	Screw (#8-32 x 5/16)	SW- 63529	
26	Screw (#8-32 x 9/32)	SW- 79206	
27	Lockwashers	SW- 78642	
28	Gasket	SW-104026	
29	Gear Shaft Washer	SW- 844	
30	Brkt. and Driven Gear Assembly	SW-104119	
31	DRIVE UNIT	SW-104100	
32	2-Speed Motor	SW-104104	
33	Drive Cup	SW-104024	
34	Retaining Ring	SW-104052	
35	Lockwasher	SW- 76901	
36	Hexagon Nut (#8-32)	SW- 99491	
37	Large Spring	SW-104023	
38	Coil, Shaft and Contacts Assembly ..	SW-104102	
39	Small Spring	SW-104021	
40	Bearing and Drive Clutch Assembly ..	SW-104088	
	Pin	SW-105821	
41	Housing, Resistor and Breaker Assembly	SW-104149	
42	Motor Gasket	SW-104047	
43	Resistor	SW-104049	
44	Circuit Breaker	SW-104108	
45	Fiber Contact Pin	SW-104044	

INDEX NO.	PART NO.	DESCRIPTION AND MODELS	PER CAR
FLOOR			
30.800		COVER ASSEMBLY, Floor battery 349299 1532-42-50-1-62-70-1-9-84-9-90-1-9	1
30.801		FASTENER, Floor battery cover assembly 305867 1532-42-50-1-62-70-1-9-84-9-90-1-9	2
30.802		RIVET, Floor battery cover assembly fastener 305880 1532-42-50-1-62-70-1-9-84-9-90-1-9	1
30.803		PAD, (Felt) Floor battery cover plate 349298 1532-42-50-1-62-70-1-9-84-9-90-1-9	2
30.806		SCUFF PLATE, Floor door - front right 372496 (Bright metal) 1502-12-22-72-82-92	1
		▲381060 (Enameled) 1502-12-22-72-82-92	1
		375196 1505-15-25-75-85-8-95-8	1
		342256 1579-89-99	1
		357352 Lower 1532-42-50-1-62-70-1-9-84	1
		357346 Upper 1532-50-70	1
		357344 Upper 1542-51-62-71-9-84	1
		369418 Upper 1584	1
30.807		SCUFF PLATE, Floor door - front left 372497 (Bright metal) 1502-12-22-72-82-92	1
		▲381061 (Enameled) 1502-12-22-72-82-92	1
		375197 1505-15-25-75-85-8-95-8	1
		342257 1579-89-99	1
		357353 Lower 1532-42-50-1-62-70-1-9-84	1
		357347 Upper 1532-50-70	1
		357345 Upper 1542-51-62-71-9	1
		369419 Upper 1584	1
30.8070		SCREW, Floor door scuff plate front 7750 (50.300) #8 x 5/8 1502-5-12-15-22-25-72-75-82-85-88-92-95-98	x
		6828 (50.300) #8 x 3/4 spl. #6 Phillips oval hd. sheet metal 1532-42-50-1-62-70-1-9-84-9-99 ..	x
30.808		SCUFF PLATE, Floor door - rear right 372488 (Bright metal) 1502-12-22-72-82-92	1
		▲381062 (Enameled) 1502-12-22-72-82-92	1
		357366 Lower 1532-42-62	1
		357368 Lower 1550-1-70-1	1
		357358 Upper 1532-42-62-84	1
		357362 Upper 1550-1-70-1	1
30.809		SCUFF PLATE, Floor door - rear left 372488 (Bright metal) 1502-12-22-72-82-92	1
		381062 (Enameled) 1502-12-22-72-82-92	1
		357367 Lower 1532-42-62	1
		357369 Lower 1550-1-70-1	1
		357359 Upper 1532-42-62-84	1
		357362 Upper 1550-1-70-1	1
30.8090		SCREW, Floor door scuff plate - rear 7750 (50.300) #8 x 5/8 1502-12-22-72-82-92	6
		6828 #8 x 3/4 1532-42-50-1-62-70-1-84	10
30.8105		RUBBER MAT ASSEMBLY, Floor door sill 372322 (Front - right) 1502-12-22-72-82-92	1
		374330 (Right) 1505-15-25-75-85-8-95-8	1
		372323 (Front - left) 1502-12-22-72-82-92	1
		374331 (Left) 1505-15-25-75-85-8-95-8	1
		372324 (Rear - right) 1502-12-22-72-82-92	1
		372325 (Rear - left) 1502-12-22-72-82-92	1
		372311 Clip (Inner)	22
		372310 Clip (Outer)	22
		372317 Clip retainer (Front inner)	16
30.812		PLATE ASSEMBLY, Floor pan econo-drive inspection hole cover 370534 1502-5-12-15-22-25-72-75-82-85-88-92-95-98 ..	1
		6859 Screw #14 x 1/2 binding hd. Type A	10

Used on Clipper Four Door Sedans built after Jan. 1, 1942 only. All other body types have chrome trim.

INDEX NO.	PART NO.	DESCRIPTION AND MODELS	PER CAR	INDEX NO.	PART NO.	DESCRIPTION AND MODELS	PER CAR
FLOOR—Continued				INSULATION			
30.8135		MOULDING, Floor side sill (See index #7.207 for conventional type running board moulding)		30.825		ANTI-SQUEAK, Roof bow	
	372272	(Chrome) (Right) (86-3/8") 1502-5-12-5-82-5-8-92-5-8	1	357869		(To roof rail) 1532-42-50-1-62-70-1-9-89-90-1-9	10
▲374786		(Prime) (Right) (86-3/8") 1502-12-82-92	1	359040		(To roof rail) 1532	2
	372074	(Chrome) (Right) (92-7/8") 1522-25-72-75	1	30.831		INSULATION, Battery cover	
▲374788		(Prime) (Right) (92-7/8") 1522-72	1	331746		1532-42-50-1-62-70-1-9-84-9-90-1-9	1
	372273	(Chrome) (Left) (86-3/8") 1502-5-12-15-82-5-8-92-5-8	1	30.832		INSULATION, Body panel anti-rumble compound	
▲374787		(Prime) (Left) (86-3/8") 1502-12-82-92	1	328599		1532-42-50-1-62-70-1-9-1584-9-90-1-9	x
	372075	(Chrome) (Left) (92-7/8") 1522-25-72-75	1	30.833		INSULATION, Dash panel pad	
▲374789		(Prime) (Left) (92-7/8") 1522-72	1	370178		LHD 1502-5-12-5-22-5-72-5-82-5-8-92-5-8	1
	372680	Bolt	4	359220		LHD 1532-42-50-1-62-70-1-9-90-1	1
	366663	Clip	20	359222		LHD 1584-89-99	1
	5935	(50.230) Lockwasher #10 internal type Z	4	314879		Fastener 1502-5-12-5-22-5-32-42-50-1-62-70-1-2-5-9-82-5-8-9-92-5-8-9	x
	7003	Nut #10-32 std.	4	366523		Fastener 1532-42-50-1-62-70-1-9-89-99	2
	101200	Plain washer	4	235255		Ferrule 1/4 1502-5-12-5-22-5-32-42-50-1-62-70-1-2-5-9-82-5-8-9-92-5-8-9	x
30.814		PANEL - RIGHT, Floor side sill		6933		Screw 1/4-28 x 3/4 Phillips oval hd. 1502-5-12-5-22-5-32-42-50-1-62-70-1-2-5-9-82-5-8-9-92-5-8-9	x
	372188	(Prime) 1502-12-22-72-82-92	1	376370		Speed nut 1502-5-12-5-22-5-72-5-82-5-8-92-5-8	1
	366918	(Prime) 1505-15-25-75-85-8-95-8	1	30.834		INSULATION, Floor pan - front	
	342082	(Prime) 1532-42-62-84	1	370772		1502-5-12-5-22-5-72-5-82-5-8-92-5-8	2
	317352	(Prime) 1550-1-70-1-90-1	1	363091		1532-42-50-1-62-70-1-9-84-9-90-1-9	1
	317350	(Prime) 1579-89-99	1	30.836		INSULATION, Floor pan - rear	
30.815		PANEL - LEFT, Floor side sill		370774		1502-5-12-5-22-5-72-5-82-5-8-92-5-8	2
	372189	(Prime) 1502-12-22-72-82-92	1	349674		1532-42-62	1
	366919	(Prime) 1505-15-25-75-85-8-95-8	1	349672		1550-1-70-1-90-1	1
	342083	(Prime) 1532-42-62-84	1	363092		1579-89-99	1
	317353	(Prime) 1550-1-70-1-90-1	1	350699		1584	1
	317351	(Prime) 1579-89-99	1	30.8365		INSULATION, Floor pan filler	
30.818		CROSS TUBE ASSEMBLY, Floor window regulator		328874		(Front) 1532-42-50-1-62-70-1-9-84-9-90-1-9	2
	363716	Center 1532-50	1	328875		(Rear) 1532-42-50-1-62-70-90-1	2
	363864	Right 1532-50	1	328876		(Rear) 1579-89-99	2
	363928	Right 1542	1	356098		(Rear) 1584	2
	363926	Right 1551	1	30.837		INSULATION, Floor rear seat pan	
	363865	Left 1532-50	1	370768		1502-12-22-72-82-92	2
	363929	Left 1542	1	375340		1505-15-25-75-85-8-95-8	2
	363927	Left 1551	1	363090		1532-42-50-1-62-70-1-84-90-1	1
	139466	Clip	3	349675		(Folding seat pan) 1550-1-70-1-90-1	1
	7417	Screw #8 x 1/2 tapping	2	331729		(Front) 1579-89-99	1
	300614	Union nut 5/16	x	363159		(Tail pipe) 1532-42-50-1-62-70-1-84	1
30.819		JUNCTION, Floor window regulator cross tube tee		7642		(50.300) Screw #6 x 3/8 1532-42-50-1-62-70-1-84	2
	363651	1532-50	4	6387		(50.200) Plain washer #8 special 1532-42-50-1-62-70-1-84	2
	363651	1542-51	3	30.841		INSULATION, Floor trunk compartment pan	
30.820		TUBE ASSEMBLY, Floor window regulator cross tube to chassis pump		370739		1502-5-12-5-72-5-82-5-8-92-5-8	1
	363872	1532-50	1	375339		1522-25	1
	363940	1542	1	363086		1532-42-50-1-62-70-1-90-1	1
	363919	1551	1	363012		1562-70-1-90-1	1
	139466	Clip	1	363013		1579-84-9-99	1
	7417	(50.300) Screw #8 x 1/2 tapping	2	30.8415		INSULATION, Front seat tract to seat frame liner	
	364713	Union connection	1	363138		1542-51-62-71-79-89-91-9	2
	300614	Union nut 5/16	2	30.842		INSULATION, Just pad 36" wide	
30.821		GROMMET, Floor window regulator cross tube to pump tube floor pan		226167		(20 oz.) 1532-42-50-1-62-70-1-9-89-90-1-9	x
	197876	1532-42-50-1	1	200737		(40 oz.) 1532-42-50-1-62-70-1-9-90-1-9	x
30.822		TUBE ASSEMBLY, Floor window regulator		30.8426		INSULATION, Roof (bulk stock in rolls)	
	363890	Front right 1532-42-50-1	1	349894		1532-42-50-1-62-70-1-90-1	x
	363922	Rear right 1532-42	1	30.843		INSULATION, Roof panel	
	363891	Front left 1532-42-50-1	1	349681		(Center) 1532-42-62	1
	363923	Rear left 1532-42	1	349682		(Center) 1550-1-70-1-90-1	1
	363714	Rear 1550-1	2	374717		(Center) 1584	2
	300614	Union nut 5/16	4	374716		(Front) 1584	1
30.823		ANTI-RATTLER, Floor window regulator tube assembly		374718		(Rear) 1584	1
	366240	Front 1532-42-50-1	2				

▲Used on Clipper Four Door Sedans built after Jan. 1, 1942 only. All other body types have chrome trim.

INDEX NO.	PART NO.	DESCRIPTION AND MODELS	PER CAR	INDEX NO.	PART NO.	DESCRIPTION AND MODELS	PER CAR
INSULATION—Continued				PARTITION			
30.844	INSULATION, Roof panel side quarter			30.849	DOWEL, Partition back compartment lid		
349680	1532-42-50-1-62-70-1-84-90-1	2	353285	1532	1
30.845	INSULATION, Roof panel cement			353285	1542	2
326247	1532-42-50-1-62-70-1-84-90-1	x	30.850	HANDLE, Partition back compartment lid		
30.846	INSULATION, Toe board			245200	1532-42	1
370776	Right 1502-5-12-5-22-5-72-5-82-5-8-92-5-8	1	6794	Woodscrew #6 x 3/4 oval hd.	4
370777	Left 1502-5-12-5-22-5-72-5-82-5-8-92-5-8	1	30.851	HINGE, Partition back compartment lid		
349678	LHD 1532-42-50-1-62-70-1-9-90-1	1	122611	1532	2
349676	LHD 1584-9-99	1	122611	1542	3
				4901	Woodscrew #6 x 3/4 1532	12
				4901	Woodscrew #6 x 3/4 1542	18
				30.852	PLATE, Partition back compartment lid striker		
				229284	1532	1
				229284	1542	2
				4975	Woodscrew #6 x 5/8 1532	2
				4975	Woodscrew #6 x 5/8 1542	4
				30.8522	GLASS, Partition card case		
				365401	1584	1
				30.85235	LID ASSEMBLY, Partition card case		
				365415	1584	1
				4802	Woodscrew #6 x 3/8	4
				30.8524	HINGE, Partition card case lid		
				365417	1584	2
				30.8525	CRASH PAD, Partition		
				369046	(Sponge rubber) 1584	1
				30.8527	MOULDING, Partition pillar finish		
				369348	1584	2
				2990	Woodscrew #8 x 1	10
				30.854	ANTI-RATTLER, Partition window belt - rear		
				326142	1550-70-90	2
				30.8545	BUMPER, Partition window		
				199167	1550-70-90	2
				209262	Screw #8 x 1/2	2
				30.855	MOULDING ASSEMBLY, Partition window finishing		
				359444	1550	1
				374546	1570	1
				374348	1590	1
				359673	Woodscrew #8 x 1-1/4	7
				235771	Ferrule #6	7
				30.858	GLASS, Partition window		
				349733	1532	1
				342296	1550-70	1
				374356	1590	1
				369230	Right 1584	1
				369231	Left 1584	1
				30.859	CUSHION, Partition window glass (Everseal)		
				353194	(.086 x 1-1/4) 1532-50-70-90	x
				366354	(.060 x 1-1/4) 1532-50-70-90	x
				366355	(.080 x 1-1/4) 1532-50-70-90	x
				311439	(.070 x 1-1/4) 1532-50-70-90	x
				30.861	LIFTER ASSEMBLY, Partition window		
				363719	1532	1
				363717	1550	1
				326135	1570-90	1
				30.863	REGULATOR ASSEMBLY, Partition window		
				363876	1532	1
				363877	1550	1
				184036	1570-90	1
				8224	(50.002) Screw #10-32 x 5/8	6
				199952	Screw boss #10-32	6

INDEX NO.	PART NO.	DESCRIPTION AND MODELS	PER CAR	INDEX NO.	PART NO.	DESCRIPTION AND MODELS	PER CAR
PARTITION—Continued				PARTITION—Continued			
30.8632		CYLINDER ASSEMBLY, Partition window regulator		30.871		RUNWAY, Partition window (Cont'd)	
363883	1532-50	1	7680	(50.300) Screw #4 x 3/8 1532	8 ⁷
	7142	(50.000) Screw 1/4-28 x 1/2	4	4805	Woodscrew #4 x 1/2 1550-70-84	x
	5447	(50.230) Lockwasher 1/4	4				
30.8633		BRACKET ASSY., Partition window regulator cylinder		30.872		RETAINER, Partition window runway	
363695	Front 1532	1	363636	Right 1532	1
363694	Rear 1532	1	363637	Left 1532	1
363975	Lower 1550	1	163168	1550-70-90	2
363656	Upper 1550	1	4819	Woodscrew #10 x 3/4 1532	8
6668	Nut 1/4-28	4	30.873		SHIM, Partition window runway	
8207	(50.002) Screw #10-32	3	132429	(1/16 x 1/2 x 40) 1550-70-9-89-90-99	x
4819	Woodscrew #10 x 3/4	x	136008	(1/32 x 1/2 x 40) 1550-70-9-89-90-99	x
30.8634		TUBE ASSEMBLY, Partition window regulator cylinder to solenoid					
363910	1532	1				
363920	1550	1				
300614	Nut 5/16	1				
363911	Union nut	1				
30.864		HANDLE, Partition window regulator					
374503	1570	1				
374327	1590	1				
132972	Pin	1				
331591	Washer	1				
30.865		ESCUTCHEON PLATE, Partition window regulator handle					
374501	1570	1				
374326	1590	1				
30.866		SPRING, Partition window regulator handle escutcheon plate					
133264	1570-90	1				
30.8665		DOWEL, Partition window regulator handle compartment lid					
353285	1532	2				
30.867		KNOB, Partition window regulator handle compartment lid					
229261	1532	1				
7454	(50.001) Screw #10-32 x 1/2	1				
164239	Ferrule #10	1				
30.868		HINGE, Partition window regulator handle compartment lid					
241383	1532	1				
6193	Rivet 1/8 x 3/16	6				
30.869		PLATE, Partition window regulator handle compartment lid striker					
226025	1532	2				
30.870		INSERT, Partition window regulator handle					
133339	1570-90	1				
30.8704		ROD, Partition window regulator piston					
363853	1532	1				
363850	1550	1				
363949	Clip	1				
366323	Washer	1				
30.8706		TUBE ASSEMBLY, Partition window regulator solenoid to cross					
363909	1532	1				
363892	1550	1				
300614	(50.725) Union nut 5/16	2				
30.871		RUNWAY, Partition window					
353839	1532	2				
337427	Lower 1550-70-90	2				
369389	Lower 1584	1				
342293	Upper 1550-70	1				
369340	Upper 1584	1				
374354	Upper 1590	1				

INDEX NO.	PART NO.	DESCRIPTION AND MODELS	PER CAR
ROOF			
30.8751		GLASS, Roof (See Index #31.253 for roof assembly)	
	365333 1584		1
30.8752		CUSHION, Roof glass frame	
	311439 (.070 x 1-1/4 everseal) 1584		x
	353194 (.086 x 1-1/4 everseal) 1584		x
30.8753		FRAME ASSEMBLY, Roof glass	
	369181 Front 1584		1
	369180 Rear 1584		1
	8050 Screw #8-32 x 1/4		4
30.8754		GLASS AND FRAME ASSEMBLY, Roof	
	369032 1584		1
30.8757		WEATHERSTRIP ASSEMBLY, Roof glass frame	
	369227 Front 1584		1
30.8758		RUNWAY, Roof glass	
	369272 Rear 1584		1
	369273 Side 1584		2
	6762 Screw #4 x 3/8		23
30.87585		RETAINER, Roof glass runway	
	369279 Front 1584		2
30.8759		SUPPORT, Roof glass runway	
	369282 Rear 1584		1
	369281 Side 1584		2
30.87593		RETAINER, Roof sunshine window curtain	
	369018 Right 1584		1
	369019 Left 1584		1
	7686 Screw #8 x 1/2		10
30.87594		WEATHER SEAL, Roof glass	
	369669 Front (Rubber) 1584		1
30.87595		WEATHERSTRIP, Roof glass	
	365394 Front 1584		1
	6460 Screw #8-32 x 3/8		7
30.87596		RETAINER, Roof glass weatherstrip	
	369305 Rear 1584		1
	369284 Side - right 1584		1
	369285 Side - left 1584		1
	6620 Screw #10 x 1/2		20
30.87598		WEATHERSTRIP, Roof sunshine opening	
	365393 Rear 1584		1
	374712 Side right 1584		1
	374713 Side left 1584		1
30.8762		REGULATOR ASSEMBLY, Roof	
	369327 1584		1
	7129 Screw 1/4-20 x 1/2		4
	5447 Lockwasher 1/4		4
30.8763		HANDLE, Roof regulator	
	359425 1584		1
	331591 Washer		1
	132972 Pin		1
30.8764		PLATE, Roof regulator handle escutcheon	
	359424 1584		1
30.87645		SPRING, Roof regulator handle escutcheon plate	
	359053 1584		1

INDEX NO.	PART NO.	DESCRIPTION AND MODELS	PER CAR
FOLDING			
30.880		BRACKET, Folding seat back	
	184260 Right 1532		1
	184259 Left 1532		1
	369456 (Lower) 1584		4
	369455 (Upper) 1584		2
	7004 (50.100) Nut 1/4-28 1532		2
	184866 (50.002) Screw 1/4-28 x 1-1/8 1532		2
	4827 Woodscrew #10 x 1 1532		8
	369457 Rivet 1584		2
30.881		SCREW, Folding seat back to seat frame	
	184268 1532		2
	325987 1550-1-70-1-90-1		4
	326047 Springwasher 1550-1-70-1-90-1		x
	6048 (50.230) Lockwasher 3/8 shakeproof 1550-1-70-1-90-1		4
	6350 Nut 3/8-24 1550-1-70-1-90-1		4
30.883		PAD, Folding seat cushion	
	243690 (Paretax hair) 1532		1
	357214 (Latex hair) 1550-1		2
	331886 (Right) (Latex hair) 1570-1-90-1		1
	331887 (Left) (Latex hair) 1570-1-90-1		1
	369915 (Sponge rubber) 1584		1
30.885		FRAME ASSEMBLY, Folding seat	
	224917 1532		1
	357220 1550-1		2
	326078 Right 1570-1		1
	374364 Right 1590-1		1
	326079 Left 1570-1		1
	374365 Left 1590-1		1
	4163 Rivet 1/4 x 5/8 1550-1-70-1-90-1		x
	6513 (50.400) Rivet 1/4 x 1-1/8 1550-1-70-1-90-1		x
	4242 Rivet 3/16 x 1/2 1550-1-70-1-90-1		8
	5858 Rivet 3/16 x 5/8 1570-1-90-1		4
	5850 Rivet 3/16 x 1/2 1570-1-90-1		x
	5854 (50.002) Screw 1/4-28 x 1-1/4 1550-1-70-1-90-91		x
	119143 Screw boss 1/4-28 1550-1-70-1-90-91		x
	4819 Woodscrew #10 x 3/4 1532		4
30.886		HANDLE, Folding seat	
	245200 1550-1-70-1-90-1		2
	6794 Woodscrew #6 x 3/4 1532		4
	6795 Screw #6-40 x 5/8 1550-1-70-1-90-1		8
30.8903		LEG, Folding seat	
	369042 1584		4
	8086 Screw 5/16-18 x 1-1/4		12
30.8905		BRACKET, Folding seat leg	
	365623 1584		4
	7638 Screw 5/16-24 x 1		16
	365120 Pivot pin		4
30.8907		MOULDING, Folding seat frame finishing	
	374682 1584		2
	6803 Woodscrew #8 x 3/4		24
30.891		PIVOT PIN, Folding seat	
	100100 1550-51-70-71-90-1		4
30.892		RETAINER, Folding seat pivot pin	
	314620 1550-1-70-1-90-1		2
	8204 (50.002) Screw 1/4-28 x 2" flat hd. 1550-1-70-1		4
30.893		SUPPORT ASSEMBLY, Folding seat	
	184851 (Right) 1532		1
	184852 (Left) 1532		1
	4585 Woodscrew #14 x 1 oval hd. (Chrome)		16
30.894		SUPPORT, Folding seat	
	337482 Right 1550-1-70-1		2
	374370 Right 1590-1		2

INDEX NO.	PART NO.	DESCRIPTION AND MODELS	PER CAR	INDEX NO.	PART NO.	DESCRIPTION AND MODELS	PER CAR
FOLDING—Continued				FRONT—Continued			
30.894	SUPPORT, Folding seat (Cont'd)			30.9185	GUARD, Front seat luggage (Cont'd)		
	337483 Left 1550-1-70-1	2	369699	Woodscrew #12 x 1	1
	374371 Left 1590-1	2	8082	Screw 1/4-20 x 1-1/2	1
				7304	Nut 1/4-20	1
30.895	SCREW, Folding seat support to seat frame			5502	Lockwasher 1/4	1
	327317 1550-1-70-1-90-1	x	30.927	HANDLE, Front seat operating		
	325988 (Outer) 1570-1-90-1	2		(Chrome) LHD 1502-12-22-72-82-92	1
	5506 (50.220) Lockwasher 3/8	4	370377	(Paint) LHD 1502-12-22-72-82-92	1
	6350 Nut 3/8-24	4	363144	LHD 1505-15-25-42-51-62-71-75	1
				372538	(Chrome) RHD 1502-12-82-92	1
FRONT					380599 (Paint) RHD 1502-12-82-92	1
30.900	SPRING, Front seat back			363145	RHD 1505-15-42-51-62-71-79-85-8-9-95-8-9	...	1
	380830 1502-12-72-82-92	1	8103	Screw 5/16-24 x 5/8 1502-12-22-72-82-92	...	1
	380856 1522	1	7362	Screw #10-32 x 7/16 1505-15-25-42-51-62-71-9-85-89-95-8-9	1
	359057 1532-50	1	381069	Washer 1502-12-22-72-82-92	1
	363314 1542	1	374977	Washer 1505-15-25-75-85-8-95-8	1
	363315 1551	1	374976	Washer 1505-15-25-75-85-8-95-8	1
	359547 1562-71-91	1	30.9270	ESCUTCHEON, Front seat operating handle		
	359522 1570-90	1		1502-12-72-82-92	1
	374440 Right 1505-15-75-85-8-95-8	1	372559	1502-12-72-82-92	1
	374466 Right 1525	1	374125	1505-15-25-75-85-88-95-98	1
	359534 Right 1579-89-99	1	380101	1522	1
	374441 Left 1505-15-75-85-8-95-8	1	30.9273	RELAY, Front seat operating lever		
	374467 Left 1525	1		1505-15-25-42-51-62-71-5-9-85-8-9-91-5-8-9	1
	359535 Left 1579-89-99	1	30.9274	LINK, Front seat operating relay to track		
	31338 (50.210) Ferrule #10 1579-89-99	2		1505-15-25-75-85-8-95-8	1
	7063 (50.230) Lockwasher #12 1542-51-62-71-9-89-91-99	2	375501	1505-15-25-75-85-8-95-8	1
				363142	1542-51-62-71-9-89-91-9	1
	7140 (50.300) Screw #10 x 1/2 1505-15-25-75-88-95-98	2	4290 (50.240) Cotter pin 3/32 x 5/8	2	
	7654 (50.300) Screw #10 x 3/4 1542-51-62-71-9-89-91-99	2	30.9276	BRACKET, Front seat operating lever shaft		
	7679 (50.300) Screw #10 x 1-1/2 1579-89-99	2		1505-15-25-75-85-8-95-8	1
				363143	1542-51-62-71-9-89-91-9	1
30.908	SPRING, Front seat cushion			30.9277	SPRING, Front seat operating lever		
	376952 1502-12-72	1		(Not used on RHD 1505-15-85-8-95-8) 1505-15-25-75-85-8-95-8	1
	374442 1505-15-75-85-8-95-8	1	363214	LHD 1542-51-62-71-9-89-91-9	1
	380852 1522	1	374623	RHD 1505-15-85-8-95-8	1
	374468 1525	1	30.9303	ANTI-SQUEAK, Front seat operating track to seat bottom frame		
	359523 1532-50	1		1505-15-25-75-85-8-95-8	4
	359521 1542	1	30.9313	SPRING, Front seat retracting		
	359520 1551	1		1502-5-12-15-22-25-72-75-82-85-88-92-95-98	1
	359544 1562-71-91	1	363399	1542-51-62-71-9-89-91-9	1
	359546 1570-90	1	30.933	MECHANISM, Front seat support operating		
	359528 (LHD) 1579-99	1		Right (LHD) 1502-12-22-72-82-92	1
	380877 1582-92	1	374130	Right (LHD) 1505-15-25-75-85-8-95-8	1
	369911 1584	1	359802	Right (LHD) 1542-51-62-71-8-89-91-9	1
	359532 (LHD) 1589	1	372250	Left (LHD) 1502-12-22-72-82-92	1
				374131	Left (LHD) 1505-15-25-75-85-8-95-8	1
30.913	HINGE, Front seat			359803	Left (LHD) 1542-51-62-71-8-89-91-9	1
	366198 (Center - Right) 1579-89-99	1	380159	Right (RHD) 1502-12-82-92	1
	366199 (Center - Left) 1579-89-99	1	374132	Right (RHD) 1505-15-85-8-95-8	1
	349596 (Side - Right) 1579-89-99	1	380160	Left (RHD) 1502-12-82-92	1
	349597 (Side - Left) 1579-89-99	1	374133	Left (RHD) 1505-15-85-8-95-8	1
				5504 (50.220) Lockwasher 5/16 std.	x	
30.914	BRACKET, Front seat hinge			6151 (50.003) Screw 5/16-24 x 1-1/4 hex. hd.	4	
	374148 (Center) 1505-15-25-75-85-8-95-8	1	372973	Screw (To floor pan)	8
	366200 (Center) 1579-89-99	1	374428	Screw (To seat bottom frame) 5/16-24 x 1-5/16	4
	374150 (Side - Right) 1505-15-25-75-85-8-95-8	1	370471	Stud (To seat bottom frame) 1502-12-22-72-82-92	6
	349174 (Side - Right) 1579-89-99	1	6359	Washer 5/16 1502-12-22-72-82-92	2
	374151 (Side - Left) 1505-15-25-75-85-8-95-8	1	7005	Nut 5/16-24 1502-12-22-72-82-92	6
	349175 (Side - Left) 1579-89-99	1	30.935	SHAFT, Front seat support operating mechanism connecting		
30.915	SCREW, Front seat hinge pivot				1502-5-12-15-22-25-72-75-82-85-88-92-95-98	1
	310404 (Center) 1579-89-99	1		1542-51-62-71	1
	349630 (Side) 1579-89-99	2		1579-89-99	1
	6048 Lockwasher (side) 3/8	2				
	366522 Nut (center)	1				
	349631 Spacer (side)	2				
	335227 Springwasher (side)	2				
	6614 Washer (center) 7/16	1				
30.9185	GUARD, Front seat luggage						
	365588 (Not used on Boston jobs).1584	1				

Used on Clipper Four Door Sedans built after Jan. 1, 1942 only. All other body types have chrome trim.

INDEX NO.	PART NO.	DESCRIPTION AND MODELS	PER CAR	INDEX NO.	PART NO.	DESCRIPTION AND MODELS	PER CAR
REAR				TOP			
30.940	SPRING, Rear seat back			31.000	TOP ASSEMBLY, Less fabric (See Index #31.441 for cloth parts)		
376954	Right 1502-12-72	1	359724	1579-89-99	1
380854	Right 1522	1	31.009	LINK, Top balance		
374464	Right 1525	1	359956	Right 1579-89-99	1
363308	Right 1532-42	1	363991	Left 1579-89-99	1
363310	Right 1550-1	1	31.012	SPRING, Top balance		
363300	Right 1562	1	363958	1579-89-99	2
363306	Right 1570-1	1	359958	Rivet	8
376955	Left 1502-12-72	1	359957	Spacer	10
380855	Left 1522	1	31.013	BRACKET, Top balance spring		
374465	Left 1525	1	353197	1579-89-99	2
363309	Left 1532-42	1	31.015	BOW, Top		
363311	Left 1550-1	1	359967	#1 (Auxiliary) 1579-89-99	1
363301	Left 1562	1	359968	#2 1579-89-99	1
363307	Left 1570-1	1	363992	Rear (Auxiliary) 1579-89-99	1
374443	1505-15-75-85-95	1	31.016	BOLT, Top bow auxiliary (to rear bow seat iron)		
359518	1579-89-99	1	353284	1579-89-99	2
380811	1582-92	1	363703	Spring washer	4
369914	1584	1	31.018	STUD, Top #1 auxiliary bow (to bracket)		
374257	1590-1	1	328511	1579-89-99	2
359371	Screw	2	7304	Nut	4
30.941	SPRING, Rear seat cushion			31.025	LINK, Top control (#1 auxiliary bow)		
376953	1502-12-72-82-92	1	366422	Front 1579-89-99	2
374444	1505-15-75	1	366422	Rear right 1579-89-99	1
380857	1522	1	366423	Rear left 1579-89-99	1
374463	1525	1	31.029	HINGE ASSEMBLY, Top folding pillar		
359509	1532-42	1	366444	Right 1579-89-99	1
359510	1550-1	1	366445	Left 1579-89-99	1
359505	1562	1	31.031	PIVOT SCREW, Top folding pillar hinge		
359508	1570-1-90-1	1	325880	Front 1579-89-99	2
359516	1579-89-99	1	363254	Rear 1579-89-99	2
369913	1584	1	328617	(50.150) Nut	2
374454	(Cloth jobs) 1585-95	1	363207	Spacer	2
374444	(Leather jobs) 1585-95	1	202056	(50.242) Spring washer	2
30.942	ARM REST ASSEMBLY, Rear seat folding			31.032	BRACKET, Top folding pillar hinge		
376140	(Untrimmed) 1502-12-22-25-72	1	349580	Right rear 1579-89-99	1
349000	(Untrimmed) 1532-42-50-1-62-70-1	1	349581	Left rear 1579-89-99	1
30.944	LINK, Rear seat folding arm rest			5506	(50.220) Lockwasher 3/8	4
376261	Lower 1502-12-22-25-72	2	7818	(50.003) Screw	4
342134	Lower 1532-42-50-1-62-70-1	2	31.033	DOVE TAIL, Top folding pillar hinge		
342135	Upper 1502-12-22-5-72	2	366336	Right 1579-89-99	1
342135	Upper 1532-42-50-1-62-70-1	2	366337	Left 1579-89-99	1
30.945	SCREW, Rear seat folding arm rest pivot			5713	(50.425) Rivet 1/4 x 5/8	8
311143	1502-12-22-5-32-42-50-1-62-70-1-2	4	31.037	WEATHERSTRIP ASSEMBLY, Top bow (front)		
5502	(50.220) Lockwasher 1/4 1525-32-42-50-1-62-70-1	4	950410	1579-89-99	1
7004	(50.100) Nut 1/4-28 1525-32-42-50-1-62-70-1	4	31.038	CROSS BAR, Top (front)		
7319	(50.200) Plain washer 1/4 1525-32-42-50-1-62-70-1	4	359961	1579-89-99	1
342137	Spacer 1502-12-22-5-32-42-50-1-62-70-1-2	4	31.039	BRACKET, Top front cross bar		
211809	Springwasher 1525-32-42-50-1-62-70-1	4	363002	Right 1579-89-99	1
30.946	SPRING, Rear seat folding arm rest			363003	Left 1579-89-99	1
370980	1502-12-25-72	1	363005	Center 1579-89-99	1
380853	1522	1	31.046	PAD, Top front cross bar clamp bracket		
359503	1532-42-50-1-62-70-1	1	363658	Right 1579-89-99	1
30.947	GRAB HANDLE, Rear seat			363659	Left 1579-89-99	1
369094	Right 1584	1	31.050	ROD, Top front cross bar control		
369095	Left 1584	1	363004	1579-89-99	1
8090	Screw #12 x 1-1/4	10	31.0513	CATCH, Top front cross bar lock		
				363006	Right 1579-89-99	1
				363007	Left 1579-89-99	1
				363008	Center 1579-89-99	1

INDEX NO.	PART NO.	DESCRIPTION AND MODELS	PER CAR	INDEX NO.	PART NO.	DESCRIPTION AND MODELS	PER CAR
TOP—Continued				TOP—Continued			
31.0525	SHAFT, Top front cross bar lock 363043 1579-89-99	1	31.100	ESCUTCHEON PLATE, Top windshield header clamp handle (Cont'd) 359423 (Blue) 1579-89-99 374509 (Brown) 1579-89-99 363370 (Maroon) 1579-89-99	1 1 1		
31.053	STRAP ASSEMBLY, Top hold down 363959 1579-89-99	2	31.101	INSERT, Top windshield header clamp handle 349667 1579-89-99	1		
31.054	LOOP, Top hold down strap footman 327381 1579-89-99 363212 (50.150) Speed nut 7056 (50.025) Screw #10-24 x 5/8 (To body) 7456 (50.025) Screw #10-32 x 7/16 (To top)	4 4 4 4	31.102	WEATHERSTRIP, Top to windshield header 349628 1579-89-99	1		
31.0553	PILLAR, Top 366250 Right 1579-89-99 366251 Left 1579-89-99	1 1	31.104	VALVE ASSEMBLY, Top vacuum control 359655 1579-89-99	1		
31.0556	FILLER, Top pillar 366252 Right 1579-89-99 366253 Left 1579-89-99	1 1	31.105	BRACKET, Top vacuum control valve 363268 (Tan) 1579-89-99 363618 (Blue gray) 1579-89-99 374652 (Black) 1579-89-99 366073 (Green gray) 1579-89-99	1 1 1 1		
31.056	BUMPER, Top pillar 363998 1579-89-99	2	31.106	KNOB, Top vacuum control valve 359384 (Blue) 1579-89-99 359385 (Maroon) 1579-89-99 363968 (Green) 1579-89-99 374651 (Brown) 1579-89-99 5935 (50.230) Lockwasher #10	1 1 1 1 1		
31.0562	PROP JOINT ASSEMBLY, Top 359974 1579-89-99 359975 1579-89-99	1 1	31.107	CYLINDER ASSEMBLY, Top vacuum 359834 Right 1579-89-99 359835 Left 1579-89-99 4290 (50.240) Cotter pin 3/32 x 5/8 349760 Grommet (Rubber) 7059 (50.555) Pivot pin (To floor bracket) 312667 (50.242) Spring washer	1 1 2 4 2 2		
31.0563	PROP JOINT, Top (lower) 359972 Right 1579-89-99 359973 Left 1579-89-99	1 1	31.1075	BALL JOINT, Top vacuum cylinder 359959 1579-89-99	2		
31.0565	STRAP, Top rear auxiliary bow to main bow 363221 1579-89-99	2	31.1080	GROMMET, Top vacuum cylinder (to floor pan bracket pivot pin) rubber 349760 1579-89-99	4		
31.061	GLASS, Top rear window 313561 1579-89-99	1	31.110	HOSE, Top vacuum control 98774 5/8" O.D. x 11/32" I.D. 1579-89-99	1		
31.062	FRAME 313563 Inner 1579-89-99 313562 Outer 1579-89-99 6786 (50.025) Screw #6-32 x 3/8	1 1 16	31.111	TUBE, Top vacuum (control valve to chassis manifold tube) 357777 LHD 1579-89-99 359115 (50.600) Clip 7653 (50.300) Screw #10 x 3/8	1 5 5		
31.063	WEATHERSTRIP, Top rear window glass 325919 1579-89-99	1	31.112	TUBE, Top vacuum (chassis frame) 357771 Upper 1579-89-99 357772 Lower 1579-89-99 359117 (50.600) Clip	1 1 4		
31.074	RAIL ASSEMBLY, Top side 366424 Right 1579-89-99 366425 Left 1579-89-99	1 1	31.113	TUBE, Top vacuum (dash) 357775 LHD 1579-89-99 349587 (50.600) Clip 7653 (50.300) Screw #10 x 3/8	2 2 2		
31.085	SLAT IRON, Top 359978 Right 1579-89-99 359970 Right rear 1579-89-99 359979 Left 1579-89-99 359971 Left rear 1579-89-99	1 1 1 1	31.114	TUBE, Top vacuum (rear floor pan riser) 359675 1579-89-99 349587 (50.600) Clip 6756 (50.300) Screw #10 x 5/8	2 4 4		
31.086	BOLT, Top slat iron 353342 (To rear bracket) 1579-89-99	2	31.115	GROMMET, Top vacuum tube rubber 359116 1579-89-99	x		
31.094	RETAINER, Top side curtain 359726 1579-89-99 349888 Nut 7053 Rivet 7055 Screw #8-32 x 7/32 353383 Washer 1/8	2 8 8 8 16	31.116	HOSE, Top vacuum tube 359730 (To chassis frame tube) 1579-89-99 366535 (To control valve) 1579-89-99 359732 (Rear floor pan front) 1579-89-99 359733 (Rear floor pan rear) 1579-89-99	4 2 2 2		
31.098	CLAMP BRACKET, Top to windshield header 349782 Center 1579-89-99 359658 Right side 1579-89-99 359659 Left side 1579-89-99 7040 (50.025) Screw #10 x 1/2 7467 (50.025) Screw #10-24 x 7/16	1 1 1 4 7					
31.099	HANDLE, Top windshield header clamp 349666 1579-89-99 302161 Pin	1 1					
31.100	ESCUTCHEON PLATE, Top windshield header clamp handle 359424 (Green) 1579-89-99	1					

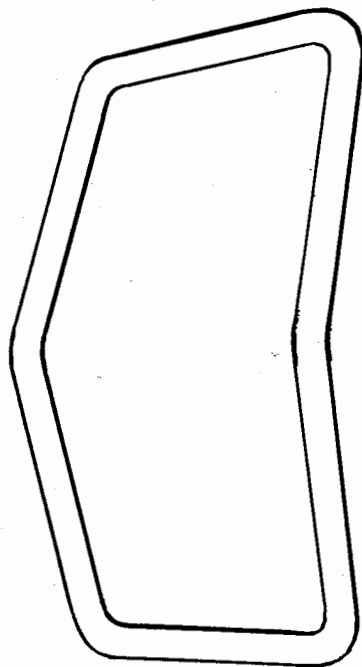
INDEX NO.	PART NO.	DESCRIPTION AND MODELS	PER CAR
TRUNK			
31.1505	RACK ASSEMBLY, Trunk compartment		
365429	1584	1
31.1507	BRACKET, Trunk compartment rack		
369064	1584	2
369068	Upper 1584	4
31.157	LID ASSEMBLY, Trunk		
376659	1502-12-22-72-82-92	1
926011	1505-15-25-75-85-8-95-8	1
925389	1532-42-50-51-62-70-71	1
925401	1579	1
925416	1584	1
925251	1589-99	1
926087	1590-91	1
31.1573	MOULDING, Trunk lid belt		
372288	(Chrome) Right 1502-12-22-72-82-92	1
▲380568	(Prime) Right 1502-12-22-72-82-92	1
374302	Right 1505-15-25-75-85-8-95-8	1
372289	(Chrome) Left 1502-12-22-72-82-92	1
▲380569	(Prime) Left 1502-12-22-72-82-92	1
347303	Left 1505-15-25-75-85-8-95-8	1
31.1576	RETAINER, Trunk lid belt moulding		
372548	1502-12-22-72-82-92	2
374308	1505-15-25-75-85-8-95-8	2
376205	Rivet 11/64 x 5/16	10
31.158	BRACE ASSEMBLY, Trunk lid		
357438	1532-42-50-1-62-70-1-84-90-1	1
357438	1579-89-99	2
5502	(50.220) Lockwasher 1/4	x
7704	(50.100) Nut 1/4-28	x
3868	Plain washer 1/4	x
363924	Screw (To drain gutter)	x
363947	Screw (To lid)	x
31.164	HINGE ASSEMBLY, Trunk lid		
372228	1502-12-22-72-82-92	2
374294	1505-15-25-75-85-8-95-8	2
331837	1532-42-50-1-62-70-1-84-90-1	2
359048	1579-89-99	2
5502	(50.220) Lockwasher 1/4 1532-42-50-1-62-70-1-9-84-90-1-9	x
5504	(50.220) Lockwasher 5/16 1532-42-50-1-62-70-1-84-90-1	4
370198	Pin 1502-12-22-72-82-92	2
6889	Pin 5/16 x 1-1/4 1532-42-50-1-62-70-1-84-90-1	2
5283	Pin 5/16 x 1-3/8 1579-89-99	2
376265	(50.200) Plain washer 5/16 1502-5-12-5-22-5-72-5-82-5-8-92-5-8	x
376016	Screw 1502-5-12-5-22-5-72-5-82-5-8-92-5-8	x
331597	Screw 5/16-24 x 3/4 1532-42-50-1-62-70-1-84-90-1	4
330531	Screw 1/4-28 x 23/32 1532-42-50-1-62-70-1-9-84-9-90-1-9	x
31.1645	BRACKET, Trunk lid hinge		
328834	1532-42-50-1-62-70-1-84-90-1	2
325981	1579-89-99	2
31.1652	LINK, Trunk lid hinge		
372834	1502-12-22-72-82-92	4
370199	Pivot pin	2
31.166	SPRING, Trunk lid hinge		
370313	1502-12-22-72-82-92	4
31.167	LOCK ASSEMBLY, Trunk lid		
372343	1502-5-12-5-22-5-72-5-82-5-8-92-5-8	1
363076	1532-42-50-1-62-70-1-9-84-9-90-1-9	1
372751	Screw #12-24 x 1/2 1502-5-12-5-22-5-72-5-82-5-8-92-5-8	4
349293	Screw 1/4-28 x 1/2 1532-42-50-1-62-70-1-9-84-9-90-1-9	8

INDEX NO.	PART NO.	DESCRIPTION AND MODELS	PER CAR
TRUNK—Continued			
31.1675	CYLINDER ASSEMBLY, Trunk lid lock		
370521	(Type without dust cover) 1502-5-12-5-22-5-72-5-82-5-8-92-5-8	1
380341	(Type with dust cover) 1502-5-12-5-22-5-72-5-82-5-8-92-5-8	1
370557	Clip (Not used on 1584)	1
31.1677	GASKET, Trunk lid lock cylinder		
370048	1502-5-12-5-22-5-72-5-82-5-8-92-5-8	1
31.173	HANDLE, Trunk lid lock (with key lock)		
356606	1532-42-50-1-62-70-1-9-89-90-1-9	1
353192	1584	1
7004	(50.100) Nut 1/4-20 (Not used on 1584)	1
7304	Nut 1/4-20 1584	1
351749	Stud (Not used on 1584)	1
7484	Screw 1/4-28 x 5/8 1584	1
5772	Screw #10-32 x 3/8 1584	1
6587	Lockwasher #10 1584	1
5502	Lockwasher 1/4 1584	1
31.1735	HANDLE, Trunk lid lock		
370579	(Chrome) 1502-5-12-5-22-5-72-5-82-5-8-92-5-8	1
▲380576	(Paint) 1502-12-22-72-82-92	1
372236	Acorn nut 3/8-24	1
372455	Locking washer	1
7989	(50.002) Screw #10-32 x 5/8 (Chrome)	1
31.174	CYLINDER LOCK, TRUNK LID LOCK HANDLE		
337017	1532-42-50-1-62-70-1-9-84-9-90-1-9	1
229255	(50.680) Key	1
31.1741	WASHER, Trunk lid lock handle cylinder stop		
351754	1532-42-50-1-62-70-1-9-89-90-1-9	1
31.175	ESCUTCHEON, Trunk lid lock handle		
353193	1584	1
31.176	GASKET, Trunk lid lock handle		
372924	1502-5-12-5-22-5-72-5-82-5-8-92-5-8	1
349285	1584	1
31.177	PAWL, Trunk lid lock handle lock		
354235	1532-42-50-1-62-70-1-9-89-90-1-9	1
31.178	SPRING, Trunk lid lock handle lock pawl		
351985	1532-42-50-1-62-70-1-9-89-90-1-9	1
31.179	SPRING, Trunk lid lock handle lock cylinder		
351752	1532-42-50-1-62-70-1-9-89-90-1-9	1
31.180	SEAT, Trunk lid lock handle lock cylinder spring		
351984	1532-42-50-1-62-70-1-9-89-90-1-9	1
31.181	RETAINER, Trunk lid lock handle lock cylinder spring		
351757	1532-42-50-1-62-70-1-9-89-90-1-9	1
31.182	SPRING, Trunk lid lock handle		
348628	1532-42-50-1-62-70-1-9-89-90-1-9	1
31.183	RETAINER, Trunk lid lock handle spring		
348629	1532-42-50-1-62-70-1-9-89-90-1-9	1
31.184	SEAT, Trunk lid lock handle spring		
348638	1532-42-50-1-62-70-1-9-89-90-1-9	1
31.187	STRIKER, Trunk lid lock		
372575	1502-5-12-5-22-5-72-5-82-5-8-92-5-8	1
353648	Right 1532-42-50-1-62-70-1-84-90-1	1
357400	Right 1579-89-99	1
353649	Left 1532-42-50-1-62-70-1-84-90-1	1
357401	Left 1579-89-99	1
5396	(50.230) Lockwasher 1/4 1505-15-25-75-85-8-95-8	1
372735	Screw 1/4-20 x 1/2 1505-15-25-75-85-8-95-8	1

Used on Clipper Four Door Sedans built after Jan. 1, 1942 only. All other body types have chrome trim.

TRUNK AND VENTILATOR

INDEX NO.	PART NO.	DESCRIPTION AND MODELS	PER CAR	INDEX NO.	PART NO.	DESCRIPTION AND MODELS	PER CAR
TRUNK—Continued				VENTILATOR			
31.188	PLATE, Trunk lid lock striker			31.225	COVER ASSEMBLY, Ventilator		
	372493 1502-5-12-5-22-5-72-5-82-5-8-92-5-8		1	372454 1502-5-12-5-22-5-72-5-82-5-8-92-5-8			1
31.1893	NAME PLATE, Trunk lid			359257 1532-42-50-1-62-70-1-9-84-9-90-1-9			1
	375038 (Packard) 1502-5-12-5-22-5-72-5-82-5-8-92-5-8		1	6056 Lockwasher 3/16 1532-42-50-1-62-70-1-9-84-9-90-1-9			5
	363640 (One Eighty) 1532-42-50-51		1	7003 (50.100) Nut #10-32 1532-42-50-1-62-70-1-9-84-9-90-1-9			5
	363641 (One Sixty) 1562-70-71-79		1	5198 Screw #10-32 x 5/8 1532-42-50-1-62-70-1-9-84-9-90-1-9			5
	372092 Fastener 1502-5-12-5-22-5-72-5-82-5-8-92-5-8		2	6653 Washer 3/16 1532-42-50-1-62-70-1-9-84-9-90-1-9			10
	363661 Gasket (Stud) 1532-42-50-51-62-70-71-79		5				
	5935 (50.230) Lockwasher #10 1532-42-50-51-62-70-71-79		5	31.226 LINK, Ventilator cover adjusting			
	6474 (50.100) Nut #6-32 1532-42-50-51-62-70-71-79		5	372062 Lower 1502-5-12-5-22-5-72-5-82-5-8-92-5-8 ...			1
	7328 (50.200) Washer #6 1532-42-50-51-62-70-71-79		5	366451 Lower 1532-42-50-1-62-70-1-9-84-9-90-1-9			1
31.190	WEATHERSTRIP, Trunk lid			376211 Upper 1502-5-12-5-22-5-72-5-82-5-8-92-5-8 ...			1
	380262 Lower 1502-12-22-72-82-92		1	359253 Upper 1532-42-50-1-62-70-1-9-84-9-90-1-9			1
	357894 Lower 1532-42-50-1-62-70-1-9-84-9-90-1-9		1	5500 (50.220) Lockwasher #10			1
	380261 Upper 1502-12-22-72-82-92		1	5502 (50.220) Lockwasher #10			1
	359038 Upper 1532-42-50-1-62-70-1-84-90-1		1	7003 (50.100) Nut #10-32			1
	359039 Upper 1579-89-99		1	7004 (50.100) Nut 1/4-28			1
	375346 1505-15-25-75-85-8-95-8		1	310145 Rivet			1
	8077 (50.300) Screw #8 x 1/2 tapping 1505-15-25-75-85-8-95-8		4	325681 Screw (To hinge)			1
31.195	BOLT, Trunk tire clamp			5198 Screw #10-32 x 5/8			1
	372200 1502-5-12-5-22-5-72-5-82-5-8-92-5-8		1	314537 Spring washer			1
	359751 1532-42-50-1-62-70-1-90-1		1	6757 (50.200) Washer #10 plain			2
	359844 1579-89-99		1	31.2283 PANEL, Ventilator cover (outer)			
	359916 1584		1	365135 1502-5-12-15-22-25-72-75-82-85-88-92-95-98 ..			1
	4290 (50.240) Cotter pin 1579-84-9-99		1	31.2286 PANEL AND DEFLECTOR ASSEMBLY, Ventilator cover (inner)			
	3874 (50.200) Plain washer 1579-84-9-99		1	372286 1502-5-12-15-22-25-72-75-82-85-88-92-95-98 ..			1
	7321 (50.200) Washer 7/16 1532-42-50-1-62-70-1-9-89-99		1	31.230 BRACE, Ventilator to dash panel			
31.1955	BRACKET ASSEMBLY, Trunk tire clamp bolt floor pan			372270 1502-5-12-5-22-5-72-5-82-5-8-92-5-8			1
	372082 1502-5-12-15-22-25-72-75-82-85-88-92-95-98 ..		1	359251 1532-42-50-1-62-70-1-9-84-9-90			1
	363035 1532-42-50-1-62-70-1-90-1		1	5869 (50.000) Bolt #10-32 x 1/2 1532-42-50-1-62-70-1-9-84-9-90-1-9			2
	359781 1579-89-99		1	5500 (50.220) Lockwasher #10 1532-42-50-1-62-70-1-9-84-9-90-1-9			2
	363675 1584		1	7003 (50.100) Nut #10-32 1532-42-50-1-62-70-1-9-84-9-90-1-9			2
	7372 Screw 1/4-28 x 5/8 1584		2	4153 Rivet 3/16 x 7/16 1502-5-12-5-22-5-32-42-50-1-62-70-1-2-5-9-82-4-5-8-9-92-5-8-9			2
	5502 Lockwasher 1/4 1584		2	372519 Screw #10-24 x 1/2 1502-5-12-5-22-5-72-5-82-5-8-92-5-8			2
	7004 Nut 1/4-28 1584		2	31.2304 DEFLECTOR, Ventilator			
31.1964	WING NUT, Trunk tire clamp bolt			365631 1502-5-12-5-22-5-72-5-82-5-8-92-5-8			1
	359752 1502-5-12-5-22-5-32-42-50-1-62-70-1-2-5-82-5-8-90-1-2-5-8		1	359256 1532-42-50-1-62-70-1-9-84-9-90-1-9			1
	359845 1579-84-9-99		1	31.2305 HOSE, Ventilator drain tube			
	7321 (50.200) Washer 7/16 1502-5-12-5-22-5-72-5-82-5-8-90-1-2-5-8		1	372342 1502-5-12-5-22-5-72-5-82-5-8-92-5-8			1
31.1965	SPRING, Trunk tire clamp bolt tension			325677 1532-42-50-1-62-70-1-9-84-9-90-1-9			1
	359914 1579-84-89-99		1	372556 Clip			1
31.1966	CUP, Trunk tire clamp			7649 (50.300) Screw #8 x 3/8			1
	359915 1579-84-9-99		1	31.231 HANDLE, Ventilator			
31.1967	PLATE, Trunk tire clamp			372076 1502-5-12-5-22-5-72-5-82-5-8-92-5-8			1
	359129 1502-12-22-5-72-5-82-92		1	366450 1532-42-50-1-62-70-1-9-84-9-90-1-9			1
	375256 1505-15-85-8-95-8		1	31.232 RETAINER, Ventilator handle ball			
	359129 1532-42-50-1-62-70-1-90-1		1	310139 20th Sr.			1
31.197	COVER ASSEMBLY, Trunk tire			310144 Rivet			1
	359951 1579		1	31.2320 BALL, Ventilator handle			
	359919 1589-99		1	5079 20th Sr.			1
31.199	ANTI-RATTLER, Trunk tire cover			31.233 SPRING, Ventilator handle ball			
	320898 1579-89-99		3	310146 20th Sr.			1
31.202	STOP, Trunk tire			31.234 KNOB, Ventilator handle			
	366316 Right 1532-42-50-1-62-70-1-90-1		1	375049 1502-5-12-5			1
	366317 Left 1532-42-50-1-62-70-1-90-1		1	374218 1522-5-72-5			1
				374381 1532-42-50-1			1
				374218 1562-70-1-90-1			1



31.239

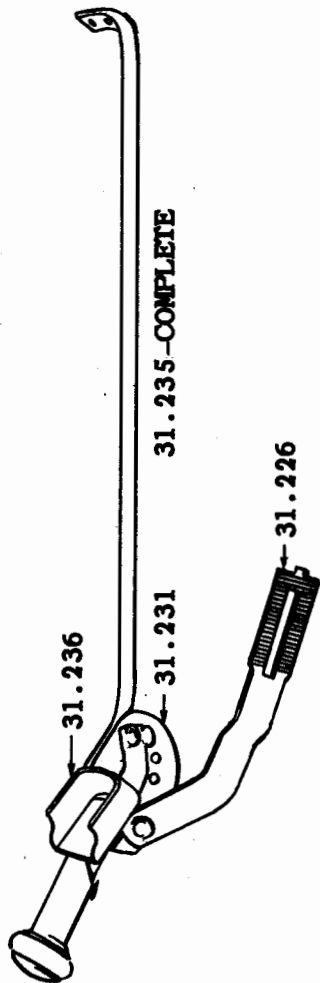


31.232



31.2305

31.233



31.235-COMLETE

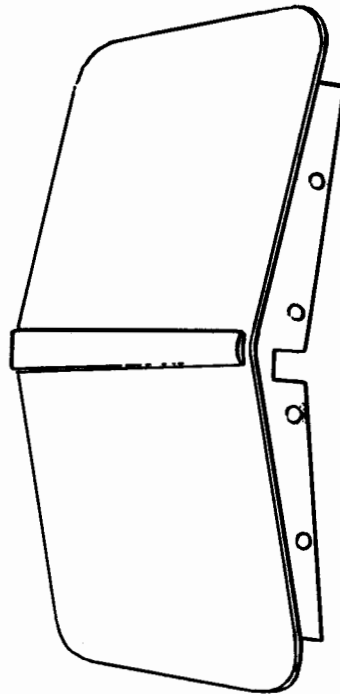
31.236

31.231

31.226



31.234



31.225

COWL VENTILATOR

INDEX NO.	PART NO.	DESCRIPTION AND MODELS	PER CAR
VENTILATOR—Continued			
31.234	KN08,	Ventilator handle (Cont'd)	
	372850	(Brown) 1579-89-99	1
	363605	(Blue) 1579-89-99	1
	359249	(Maroon) 1579-89-99	1
	359247	(Green) 1579-84-9-99	1
	372850	1582-5-8-92-5-8	1
31.2345	INSERT,	Ventilator handle knob	
	235721	1505-15-25-32-42-50-1-62-70-1-5-9-84-5-8-9-90-1-5-8-9	1
31.235	SUPPORT AND LINK ASSEMBLY,	Ventilator handle	
	375040	1502-5-12-15	1
	375039	1522-25-72-75	1
	374431	1532-42-50-1	1
	374430	1562-70-1-90-1	1
	366458	(Blue) 1579-89-99	1
	366456	(Maroon) 1579-89-99	1
	366453	(Green) 1579-84-9-99	1
	374611	(Brown) 1579-89-99	1
	372452	1582-85-88-92-95-98	1
31.236	SUPPORT,	Ventilator handle	
	372064	1502-5-12-15-22-25-72-75-82-85-88-92-95-98	1
	325675	1532-42-50-1-62-70-1-9-84-9-90-1-9	1
31.237	HINGE,	Ventilator	
	372108	Right 1502-5-12-5-22-5-72-5-82-5-8-92-5-8	1
	359254	Right 1532-42-50-1-62-70-1-9-84-9-90-1-9	1
	372109	Left 1502-5-12-5-22-5-72-5-82-5-8-92-5-8	1
	359255	Left 1532-42-50-1-62-70-1-9-84-9-90-1-9	1
	372588	Rivet 9/64 x 3/16	4
	4153	Rivet 3/16 x 7/16	2
31.2373	SCREEN ASSEMBLY,	Ventilator	
	372077	1502-5-12-5-22-5-72-5-82-5-8-92-5-8	1
	325670	1532-42-50-1-62-70-1-9-84-9-90-1-9	1
	7545	(50.300) Screw #4 x 1/2 tapping 1502-5-12-5-22-5-72-5-82-5-8-92-5-8	1
31.2376	TROUGH AND HINGE ASSEMBLY,	Ventilator	
	372383	1502-5-12-5-22-5-72-5-82-5-8-92-5-8	1
31.238	TROUGH AND SCREEN ASSEMBLY,	Ventilator	
	325661	1532-42-50-1-62-70-1-9-84-9-90-1-9	1
31.239	WEATHERSTRIP,	Ventilator	
	370209	1502-5-12-5-22-5-72-5-82-5-8-92-5-8	1
	325671	1532-42-50-1-62-70-1-9-84-9-90-1-9	1

INDEX NO.	PART NO.	DESCRIPTION AND MODELS	PER CAR
WELDED ASSEMBLIES			
31.240	CENTER PILLAR ASSEMBLY		
	370022	Right 1502-12-22-72	1
	243512	Right 1532	1
	353534	Right 1542-51	1
	342572	Right 1550-70-90	1
	380414	Right 1582-92	1
	370023	Left 1502-12-22-72	1
	243513	Left 1532	1
	353535	Left 1542-51	1
	342573	Left 1550-70-90	1
	380415	Left 1582-92	1
	342568	1562-71-84-91	2
31.2405	MOULDING, Center pillar belt		
	372494	(Chrome) 1502-12-22-72-82-92	2
	▲380628	(Prime) 1502-12-22-72-82-92	2
	376783	(50.092) Screw	2
	376765	(50.100) Nut	2
	7154	(50.220) Lockwasher	2
31.2406	RIM, Center pillar window finishing		
	372131	(Chrome) 1502-12-22-72-82-92	2
	▲380686	(Prime) 1502-12-22-72-82-92	2
	372491	Screw	2
	7003	(50.100) Nut #10-32	2
	5500	(50.220) Lockwasher #10	2
	6757	(50.200) Washer #10	2
31.242	FRONT END ASSEMBLY		
	925433	LHD 1532-42-51	1
	925268	LHD 1550-62-70-1-90-91	1
	925274	LHD 1579	1
	926068	LHD 1584	1
	925270	LHD 1589-99	1
31.243	DOOR UNTRIMMED ASSEMBLY, Front - right		
	380484	(Supersedes 376488-376490) 1502-12-72-82-92	1
	926030	(Supersedes 926014) 1505-15-25-75-85-8-95-8	1
	380322	1522	1
	357502	1532-42-50-1	1
	357500	1562-70-1-90-1	1
	357516	1579-89-99	1
	374683	1584	1
31.244	DOOR UNTRIMMED ASSEMBLY, Front - left		
	380485	(Supersedes 376489-376491) 1502-12-72-82-92	1
	926031	(Supersedes 926015) 1505-15-25-75-85-8-95-8	1
	380323	1522	1
	357503	1532-42-50-1	1
	357501	1562-70-1-84-90-1	1
	363133	1579-99	1
	357517	LHD 1589	1
31.245	DOOR UNTRIMMED ASSEMBLY, Rear - right		
	380482	(Supersedes 369536-370576) 1502-12-72-82-92	1
	380320	1522	1
	357532	1532	1
	357530	1542	1
	357522	1550-1	1
	357528	1562	1
	357520	1570-1-90-1	1
	374660	1584	1
31.246	DOOR UNTRIMMED ASSEMBLY, Rear - left		
	380483	(Supersedes 369537-370577) 1502-12-72-82-92	1
	380321	1522	1
	357533	1532	1
	357531	1542	1
	357523	1550-1	1
	357529	1562	1
	357521	1570-1-90-1	1
	374663	1584	1
31.247	FRONT SEAT ASSEMBLY (Untrimmed)		
	380473	1502-12-72-82-92	1
	376760	LHD 1522	1

▲Used on Clipper Four Door Sedans built after Jan. 1, 1942 only. All other body types have chrome trim.

INDEX NO.	PART NO.	DESCRIPTION AND MODELS	PER CAR
WELDED ASSEMBLIES—Continued			
31.247		FRONT SEAT ASSEMBLY (Untrimmed) (Cont'd)	
925390	LHD 1532	1
925391	1542-51-62-71-91	1
31.2471		BACK ASSEMBLY, Front seat (Untrimmed)	
374134	Right 1505-15-25-75-85-8-95-8	1
925072	Right 1579-89-99	1
374135	Left 1505-15-25-75-85-8-95-8	1
925071	Left 1579-89-99	1
31.250		PANEL, Rear end center	
353691	(Upper) 1579-89-99	1
369416	(Lower) 1502-12-22-72-82-92	1
366958	(Lower) 1505-15-25-75-85-88-95-98	1
31.251		PANEL ASSEMBLY, Rear end quarter	
<p><i>The Rear Fender on 1502-5-12-5-22-5-72-5-82-5-8-92-5-8 is formed to include the Rear End Quarter Panel Assembly. The Rear Fender extends, below the belt moulding, from the rear door opening to the trunk lid opening.</i></p> <p><i>Refer to Index Group 7.100 for part numbers and description of Rear Fender which also could be interpreted as being a Rear End Quarter Panel Assembly Lower.</i></p>			
925325	Right 1532	1
925319	Right 1542	1
925301	Right 1550-1	1
925321	Right 1562	1
925307	Right 1570-1-90-1	1
925311	Right 1579-89-99	1
926072	Right 1584	1
925324	Left 1532	1
925318	Left 1542	1
925300	Left 1550-1	1
925320	Left 1562	1
925306	Left 1570-1-90-1	1
925310	Left 1579-89-99	1
926073	Left 1584	1
31.252		DRAIN GUTTER, Rear end panel trunk	
372874	(Lower) 1502-12-22-72-82-92	1
366478	(Lower) 1505-15-25-75-85-8-95-8	1
372070	(Top) 1502-12-22-72-82-92	1
366895	(Top) 1505-15-25-75-85-8-95-8	1
353642	1532-42-50-1-62-70-1-9-84-90-1	1
353645	1579-89-99	1
31.253		ROOF ASSEMBLY	
380453	LHD 1502-12-22-72-82-92	1
926022	1505-15-25-75-85-8-95-8	1
925252	1532	1
925437	1542-62	1
925436	1550-1-70-1-90-1	1
926058	1584	1
380452	RHD 1502-12-82-92	1
31.2535		MOULDING, Roof leather	
349872	Right front 1532	1
353172	Right rear 1532	1
353179	Left front 1532	1
353173	Left rear 1532	1
241473	Screw #4 x 7/8 sheet metal	x
31.254		MOULDING, Roof rain gutter	
370390	Right 1502-12-22-72-82-92	1
366784	Right 1505-15-25-75-85-8-95-8	1
349706	Right 1532	1
342122	Right 1542-62-84	1
342486	Right 1550-1-70-1-90-1	1
370391	Left 1502-12-22-72-82-92	1
366785	Left 1505-15-25-75-85-8-95-8	1
349707	Left 1532	1
342123	Left 1542-62-84	1
342487	Left 1550-1-70-1-90-1	1

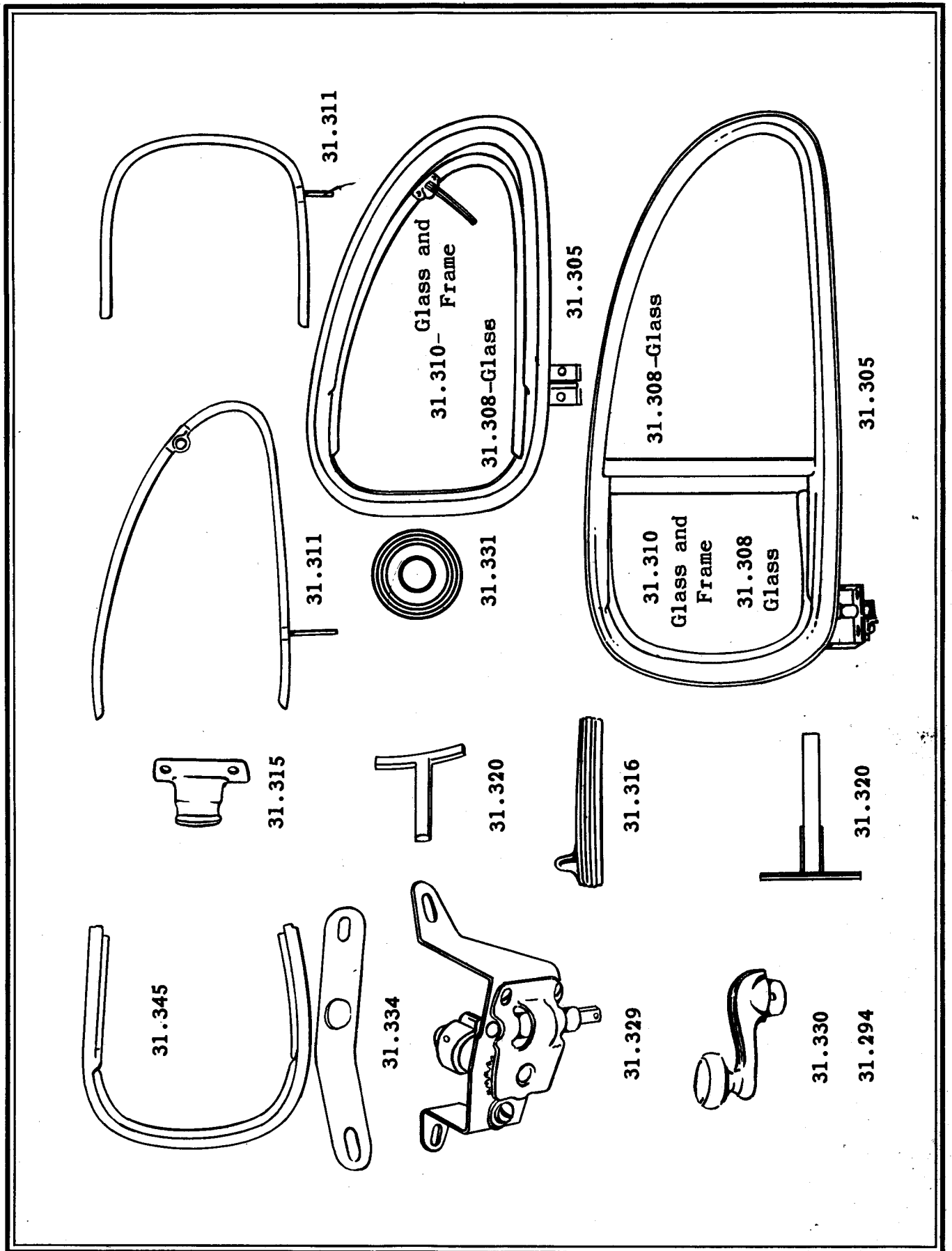
INDEX NO.	PART NO.	DESCRIPTION AND MODELS	PER CAR
WELDED ASSEMBLIES—Continued			
31.2745		MOULDING, Rear quarter belt	
370190	(Chrome) Right 1502-12-22-72-82-92	1
▲380608	(Prime) Right 1502-12-22-72-82-92	1
375204	Right 1505-15-25-75-85-8-95-8	1
366070	Right 1542-62-84	1
366062	Right 1550-1-70-1-90-1	1
370191	(Chrome) Left 1502-12-22-72-82-92	1
▲380609	(Prime) Left 1502-12-22-72-82-92	1
375205	Left 1505-15-25-75-85-8-95-8	1
366071	Left 1542-62-84	1
366063	Left 1550-1-70-1-90-1	1
357842	1532	2
357846	1579-89-99	2
375512	Bolt 1505-15-25-75-85-88-95-98	8
366325	Bolt 1542-50-1-62-70-84-90-1	20
376497	Clip 1502-12-22-72-82-92	10
375178	Clip 1505-15-25-75-85-8-95-8	12
364327	(50.600) Clip (front) 1532-42-50-1-62-70-1-9-84-9-90-1-9	4
366538	(50.600) Clip (rear) 1532-42-50-1-62-70-1-9-84-9-90-1-9	x
366326	Gasket 1505-15-25-42-50-1-62-70-1-5-84-5-8-90-1-5-8	x
5935	(50.230) Lockwasher #10 1505-15-25-42-50-1-62-70-1-5-84-5-8-90-1-5-8	x
7003	(50.100) Nut #10-32 1505-15-25-42-50-1-62-70-1-5-84-5-8-90-1-5-8	x
101200	Washer (plain) 1505-15-25-42-50-1-62-70-1-5-84-5-8-90-1-5-8	x
31.2746		CLIP, Rear quarter belt moulding joint cover	
366069	1542-50-1-62-70-1-84-90-1	1
31.27461		RUBBER SEAL, Rear quarter belt moulding clip	
376658	1502-12-22-72-82-92	10
375231	1505-15-25-75-85-8-95-8	10
366326	Front 1532-42-50-1-62-70-1-9-84-9-90-1-9	4
366539	Rear 1532-42-50-1-62-70-1-9-84-9-90-1-9	x

Used on Clipper Four Door Sedans built after Jan. 1, 1942 only. All other body types have chrome trim.

INDEX NO.	PART NO.	DESCRIPTION AND MODELS	PER CAR	INDEX NO.	PART NO.	DESCRIPTION AND MODELS	PER CAR
WINDOW—QUARTER				WINDOW—QUARTER—Continued			
31.280		DUST SEAL, Rear quarter window		31.291		LIFTER ASSEMBLY, Rear quarter window	
	374402	Inner Right 1505-15-25-75	1		374316	Right 1505-15-25-75-85-95	1
	374404	Inner Right 1585-95	1		374317	Left 1505-15-25-75-85-95	1
	375030	Outer Right 1505-15-25-75	1	31.293		REGULATOR ASSEMBLY, Rear quarter window	
	375032	Outer Right 1585-95	1		374424	Right 1505-15-25-75-85-95	1
	374403	Inner Left 1505-15-25-75	1		374425	Left 1505-15-25-75-85-95	1
	374405	Inner Left 1585-95	1		376237	Screw #12-24 x 3/8	8
	375031	Outer Left 1505-15-25-75	1		376038	Pin (To lifter channel stud)	4
	375033	Outer Left 1585-95	1		376037	Washer	4
	372693	Clip (Outer)	14	31.294		HANDLE, Rear quarter window regulator	
31.281		MOULDING, Rear quarter window finishing - right			366671	(Blue) 1505-15	2
	366890	Right 1505-15	1		366672	(Gray) 1525-75	2
	374410	Right 1525-75	1		372466	(Brown) 1585-95	2
	359626	Right 1542	1		132972	Pin	2
	359628	Right 1550-1	1	31.297		PLATE, Rear quarter window regulator handle escutcheon	
	374612	Right 1562	1		366678	(Blue) 1505-15	2
	374548	Right 1570-1	1		366677	(Gray) 1525-75	2
	363510	Right 1584	1		372465	(Brown) 1585-95	2
	374408	Right 1585-8-95-8	1	31.299		RUNWAY ASSEMBLY, Rear quarter window	
	374350	Right 1590-1	1		375026	Right front lower 1505-15-25-75-85-95	1
31.282		MOULDING, Rear quarter window finishing - left			375024	Right Upper 1505-15-25-75	1
	366891	Left 1505-15	1		375022	Right Upper 1585-8-95-8	1
	374411	Left 1525-75	1		375027	Left front lower 1505-15-25-75-85-95	1
	359627	Left 1542	1		375025	Left Upper 1505-15-25-75	1
	359629	Left 1550-1	1		375023	Upper Left 1585-8-95-8	1
	374613	Left 1562	1	31.300		RETAINER, Rear quarter window runway	
	374549	Left 1570-1	1		366736	1505-15-25-75-85-8-95-8	4
	363511	Left 1584	1				
	374409	Left 1585-8-95-8	1				
	374351	Left 1590-1	1				
31.2820		SCREW, Rear quarter window finishing moulding attaching					
	342861	#8 x 1/8 Spl. 1505-15-25-42-50-1-62-70-1-5-84-5-8-90-1-5-8	10				
	235771	Ferrule #6 1542-50-1	10				
31.2855		STRIP, Rear quarter window finishing moulding trim					
	375158	1505-15-25-75	2				
31.2857		PLATE, Rear quarter window finishing moulding trim strip end					
	374406	Right 1505-15-25-75	2				
	374407	Left 1505-15-25-75	2				
	375270	Speed nut	12				
31.286		RIM, Rear quarter window reveal finishing					
	374418	Right 1505-15-25-75-85-8-95-8	1				
	357446	Right 1542-62	1				
	357448	Right 1550-1-70-1	1				
	374419	Left 1505-15-25-75-85-8-95-8	1				
	357447	Left 1542-62	1				
	357449	Left 1550-1-70-1	1				
	375179	Clip 1505-15-25-75-85-8-95-8	14				
	375248	Clip seal 1505-15-25-75-85-8-95-8	14				
	6762	(50.300) Screw #4 x 3/8 1542-50-1-62-70-1	x				
31.2865		COVER, Rear quarter window reveal finishing rim joint					
	359624	1542-50-1-62-70-1	2				
31.287		GLASS, Rear quarter window					
	374883	1505-15-25-75-85-95	2				
	374247	1588-98	2				
31.2875		CUSHION, Rear quarter window glass (everseal)					
	314804	(.060 x 1-3/4) 1505-15-25-75-85-95	x				
	314805	(.070 x 1-3/4) 1505-15-25-75-85-95	x				
	357601	(.080 x 1-3/4) 1505-15-25-75-85-95	x				
31.290		WEATHERSTRIP, Rear quarter window glass					
	374248	1588-89	2				

INDEX NO.	PART NO.	DESCRIPTION AND MODELS	PER CAR
WINDOW WING—QUARTER			
31.305	WING ASSEMBLY, Rear quarter window - right		
	359666 1542		1
	359668 1550-1		1
	374614 1562		1
	374550 1570-1		1
	363772 1584		1
	374352 1590-1		1
31.306	WING ASSEMBLY, Rear quarter window - left		
	359667 1542		1
	359669 1550-1		1
	374615 1562		1
	374551 1570-1		1
	363773 1584		1
	374353 1590-1		1
31.3060	SCREW, Rear quarter window wing assembly attaching		
	7682 (50.300) #6 x 1/2 tapping 1542-50-1		10
31.308	GLASS, Rear quarter window wing		
	357603 1542-62-84		2
	357596 1550-1-70-1-90-1		2
31.309	CUSHION, Rear quarter window wing glass (Everseal)		
	366355 (.080 x 1-1/4) 1542-50-1-62-70-1-84-90-1	x	
	311439 (.070 x 1-1/4) 1542-50-1-62-70-1-84-90-1	x	
	353194 (.060 x 1-1/4) 1542-50-1-62-70-1-84-90-1	x	
31.310	GLASS & RETAINER ASSEMBLY, Rear quarter window wing		
	359034 1550-1-70-1-90-1		2
	371959 Right 1542		1
	371960 Left 1542		1
31.311	GLASS RETAINER ASSEMBLY, Rear quarter window wing		
	359554 Right 1542-62-84		1
	359555 Left 1542-62-84		1
31.3110	GLASS RETAINER, Rear quarter window wing		
	359004 Front 1550-1-70-1-90-1		2
	359005 Rear 1550-1-70-1-90-1		2
31.312	COVER, Rear quarter window wing glass retainer joint		
	349340 1550-1-70-1-90-1		4
31.314	GLASS RETAINER & LOWER PIVOT ASSEMBLY, Rear quarter window wing		
	359035 1550-1-70-1-90-1		2
31.315	BRACKET, Rear quarter window wing locking		
	349712 1542-62-84		2
	311431 Rivet .142 x 5/32 oval		2
31.316	HANDLE, Rear quarter window wing operating		
	349710 Right 1542-62		1
	349194 Right 1584		1
	349711 Left 1542-62		1
	349195 Left 1584		1
	349055 Pin		2
	304834 Spring washer		x
31.317	SHAFT, Rear quarter window wing operating handle		
	318650 1542-62-84		2
31.318	BRACKET, Rear quarter window wing operating handle shaft support		
	349723 1542-62-84		2
31.319	PIVOT, Rear quarter window wing (upper)		
	363299 1542-62-84		2
	304840 1550-1-70-1-90-1		2
31.320	PIVOT, Rear quarter window wing (lower)		
	359012 1542-62-84		2

INDEX NO.	PART NO.	DESCRIPTION AND MODELS	PER CAR
WINDOW WING—QUARTER—Continued			
31.320	PIVOT, Rear quarter window wing (lower) (Cont'd)		
	359006 1550-1-70-1-90-1		2
	7005 (50.100) Nut 5/16-24 1542-62-84		2
	349662 Screw 1550-1-70-1-90-1		2
	7068 Washer 3/8 plain 1542-62-84		x
31.324	SPRING, Rear quarter window wing pivot lower		
	359010 1542-62-84		2
31.3252	WASHER, Rear quarter window wing pivot (lower) stop		
	359011 1542-62-84		4
31.326	BRACKET, Rear quarter window wing pivot - upper		
	349171 (Tee nut type) 1542-62-84		2
	359007 (Tee nut type) 1550-1-70-1-90-1		4
	5861 (50.230) Lockwasher #8 shakeproof		4
	7430 (50.000) Screw #8-32 x 1/4 Rnd. Hd.		4
31.327	BRACKET, Rear quarter window wing pivot lower		
	357326 1542-62-84		2
31.328	OUTER PLATE, Rear quarter window wing pivot upper bracket		
	311459 1550-1-70-1-90-1		2
31.329	REGULATOR ASSEMBLY, Rear quarter window wing		
	359022 Right 1550-1-70-1-90-1		1
	359023 Left 1550-1-70-1-90-1		1
	311418 Screw 1/4-20 x 5/8		4
	5937 (50.200) Washer 1/4 plain		4
	5502 (50.220) Lockwasher 1/4		4
	7335 (50.100) Nut 1/4-20		4
31.330	HANDLE, Rear quarter window wing regulator		
	374505 1550-1		2
	374504 1570-1		2
	374328 1590-1		2
	353149 Screw		2
	331591 Washer		2
31.331	ESCUTCHEON PLATE, Rear quarter window wing regulator handle		
	374507 1550-1		2
	374506 1570-1		2
	374329 1590-1		2
31.3313	GASKET, Rear quarter window wing regulator handle escutcheon plate		
	366289 1550-1		2
31.333	INSERT, Rear quarter window wing regulator handle		
	133339 1550-1-70-1-90-1		2
31.334	BRACKET, Rear quarter window wing regulator housing		
	359037 1550-1-70-1-90-1		2
31.345	WEATHERSTRIP, Rear quarter window wing		
	357196 Right 1542-62-84		1
	357198 Right 1550-1-70-1-90-1		1
	357197 Left 1542-62-84		1
	357199 Left 1550-1-70-1-90-1		1
31.3455	RETAINER, Rear quarter window wing weatherstrip		
	359782 Right 1542		1
	359786 Right 1550-1		1
	359783 Left 1542		1
	359787 Left 1550-1		1
31.348	RETAINER & PIVOT BRACKET LOWER ASSEMBLY, Rear quarter window wing weatherstrip		
	359784 Right 1542		1
	359785 Left 1542		1



REAR QUARTER WINDOW WING

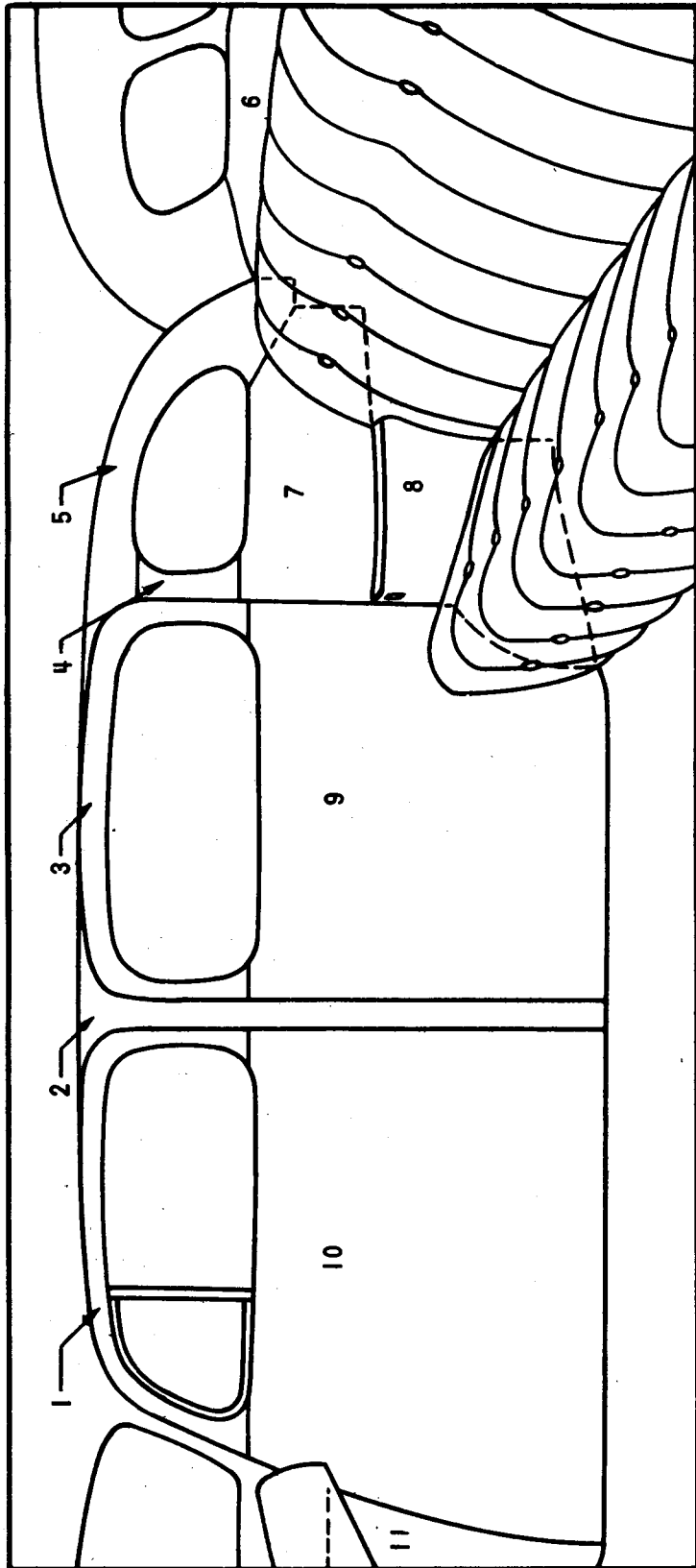
INDEX NO.	PART NO.	DESCRIPTION AND MODELS	PER CAR
WINDOW—REAR			
31.353	GLASS, Rear window		
369334	1502-12-22-72-82-92	1
374222	1505-15-25-75-85-8-95-8	1
357602	1532	1
357150	1542-50-1-62-70-1-84-90-1	1
313561	1579-89-99	1
31.355	RETAINER, Rear window glass		
357792	1532	1
4817	Woodscrew #8 x 3/4	8
31.358	WEATHERSTRIP, Rear window glass		
369335	1502-12-22-72-82-92	1
374223	1505-15-25-75-85-8-95-8	1
357763	1532	1
353822	1542-50-1-62-70-1	1
353823	1584-90-1	1
31.365	MOULDING, Rear window finishing		
380066	1502-12-82-92	1
366879	1505-15-85-8-95-8	1
380067	1522-72	1
374899	1525-75	1
353767	1532	1
357413	1542-50-1	1
374357	1562-70-1-90-1	1
363531	1584	1
376373	Screw #8 x 3/4 1502-12-22-72-82-92	12
349394	Screw #8 x 3/4 tapping 1505-15-25-75-85-8-95-8	12
342861	Screw #8 x 1-1/8 oval hd. 1542-50-1-62-70-1-84-90-1	10
6808	Woodscrew #6 x 1 1532	8
31.366	RIM, Rear window finishing		
370196	(Chrome) 1502-12-22-72-82-92	1
▲380626	(Prime) 1502-12-22-72-82-92	1
374906	1505-15-25-75-85-8-95-8	1
353707	1542-50-1-62-70-1	1
372812	Joint clip (Chrome) 1502-5-12-15-22-25-72-75-82-85-88-92-95-98	1
▲381009	Joint clip (Prime) 1502-12-22-72-82-92	1
357725	Joint clip 1542-50-1-62-70-1	1

INDEX NO.	PART NO.	DESCRIPTION AND MODELS	PER CAR
WINDSHIELD			
See Index 30.7015 for electrically operated Windshield Wiper.			
31.3905	HOSE FITTING, Windshield defroster		
359772	1532-42-50-1-62-70-1-79-89-90-1-9	2
7649	(50.300) Screw #8 x 3/8 tapping	4
31.3906	GASKET, Windshield defroster hose fitting		
366304	1532-42-50-1-62-70-1-79-89-90-1-9	2
31.391	CHANNEL ASSEMBLY, Windshield division		
337034	1579-89-99	1
357793	1584-90-1	1
6782	Screw #10-32 x 2"	1
366329	Stud - Lower	1
6056	(50.230) Lockwasher #10 external	1
7003	(50.100) Nut #10-32	1
31.3915	SCREW, Windshield division bar attaching		
380560	#8-32 x 13/16 1502-5-12-5-22-5-72-5-82-5-8-92-5-8	1
372582	#8-32 x 3/4 1505-15-25-75-85-8-95-8	3
31.3917	CLIP, Windshield division bar radio antenna cable		
372230	1502-5-12-5-22-5-72-5-82-5-8-92-5-8	2
31.392	FILLER, Windshield division channel end		
337036	1579-89-99	2
31.393	REINFORCEMENT, Windshield division channel		
325616	1579-89-99	1
328788	1532-42-50-1-62-70-1-84-90-1	1
31.394	MOULDING, Windshield division finishing		
374940	(Inside grained) (11-13-16 between C-L of screw holes) 1502-5-12-5-82-5-8-92-5-8	..	1
380312	Inside (grained) (11-5/16 between C-L of screw holes) 1502-5-12-5-82-5-8-92-5-8	..	1
374942	Inside (Chrome) (11-13/16 between C-L of screw holes) 1522-5	1
380314	Inside (Chrome) (11-5/16 between C-L of screw holes) 1522-5	1
375471	Inside 1532-42-50-1	1
374610	Inside 1562-70-1	1
374941	Inside (Grained) (11-13/16 between C-L of screw holes) 1572-5	1
380313	Inside (Grained) (11-5/16 between C-L of screw holes) 1572-5	1
366221	Inside (Louvre tan) 1579-89-99	1
366220	Inside (Blue Gray) 1579-89-99	1
363830	Inside (Green Gray) 1579-84-9-99	1
374608	Inside (Black) 1579-89-99	1
374432	Inside 1590-1	1
376695	(Chrome) Outside 1502-5-12-15-22-25-72-75-82-85-88-92-95-98	1
▲380616	(Paint) Outside 1502-12-22-72-82-92	1
349304	Outside 1579-89-99	1
370536	Screw (Inside) #8 x 3/4 1502-5-12-15-22-25-72-75-82-85-88-92-95-98	1
6892	Screw (Inside) #8-32 x 11/16 1532-42-50-1-62-70-1-84	4
6774	Screw (Inside) #8-32 x 7/8 1579-89-99	4
31.395	MOULDING, Windshield finishing		
374950	1502-5-12-5-82-5-8-92-5-8	1
374951	1522-5-72-75	1
363075	1532-42-50-1-79-89-99	1
374355	1562-70-1-90-1	1
363534	1584	1
376493	Clip 1522-25	4
370957	Clip 1522-25	20
380269	(50.025) Screw #8 x 1-5/8 1502-5-12-5-22-5-72-5-82-5-8-92-5-8	14
380544	Screw #8 x 1-3/8 1502-5-12-15-22-25-72-75-82-85-88-92-95-98	4

▲ Used on Clipper Four Door Sedans built after Jan. 1, 1942 only. All other body types have chrome trim. 176

INDEX NO.	PART NO.	DESCRIPTION AND MODELS	PER CAR	INDEX NO.	PART NO.	DESCRIPTION AND MODELS	PER CAR
WINDSHIELD—Continued				ARM REST			
31.395		MOULDING, Windshield finishing (Cont'd)		31.410		ARM REST TRIMMED ASSEMBLY, Door front (specify motor & set no.)	
	342861	Screw #8 x 1-1/8 1532-42-50-1-62-70-1-9-84-9-99	20	995052	Right (Cloth jobs) 1502-12	1	
31.396		PLATE, Windshield finishing moulding joint cover		981666	Right (Cloth jobs) 1505-15-25-75	1	
	357041	1532-42-50-1-79-89-99	1	981672	Right (Leather jobs) 1505-15-75	1	
	374554	1562-70-1-90-1	1	995064	Right (Cloth jobs) 1522	1	
	363537	1584	1	951036	Right 1532-42-51	1	
	342861	Screw #8 x 1-1/8	1	950926	Right 1550-70-89-90-9	1	
31.397		RIM, Windshield finishing		950922	Right (Cloth jobs) 1562-71-91	1	
	369434	(Chrome) Right 1502-5-12-5-22-5-72-5-82-5-8-92-5-8	1	950926	Right (Leather jobs) 1562-71-79	1	
	▲380604	(Prime) Right 1502-12-22-72-82-92	1	995054	Right (Cloth jobs) 1572	1	
	357466	Right 1532-42-50-1-62-70-1-90-1	1	951500	Right (Cloth & leather comb.) 1579	1	
	337058	Right 1579-89-99	1	995050	Right (Cloth jobs) 1582-92	1	
	369435	(Chrome) Left 1502-5-12-5-22-5-72-5-82-5-8-92-5-8	1	981664	Right (Cloth jobs) 1585-8-95-8	1	
	▲380605	(Prime) Left 1502-12-22-72-82-92	1	981670	Right (Leather jobs) 1585-8-95-8	1	
	357467	Left 1532-42-50-1-62-70-1-90-1	1	995053	Left (Cloth jobs) 1502-12	1	
	337059	Left 1579-89-99	1	981667	Left (Cloth jobs) 1505-15-25-75	1	
31.400		FRAME, Windshield		981673	Left (Leather jobs) 1505-15-75	1	
	369491	1502-5-12-5-22-5-72-5-82-5-8-92-5-8	1	995065	Left (Cloth jobs) 1522	1	
	376115	Clip (Cable) (5/8" width)	x	951037	Left 1532-42-51	1	
	376114	Clip (Cable) (3/4" width)	x	950927	Left 1550-70-89-90-9	1	
31.404		GLASS, Windshield		950923	Left (Cloth jobs) 1562-71-91	1	
	370168	1502-5-12-5-22-5-72-5-82-5-8-92-5-8	2	950927	Left (Leather jobs) 1562-71-79	1	
	325611	1532-42-50-1-62-70-1-9-84-9-90-1-9	2	995055	Left (Cloth jobs) 1572	1	
31.406		WEATHERSTRIP, Windshield glass		951501	Left (Cloth & leather comb.) 1579	1	
	370169	1502-5-12-5-22-5-72-5-82-5-8-92-5-8	1	995051	Left (Cloth jobs) 1582-92	1	
	366300	1532-42-50-1-62-70-1	1	981665	Left (Cloth jobs) 1585-88-95-98	1	
	337033	1579-89-99	1	31.411	TRIM COVER ASSEMBLY, Door front arm rest (spec. motor & set no.)		
	363284	1584-90-1	1	995040	Right (Cloth jobs) 1502-12	1	
				981656	Right (Cloth jobs) 1505-15-25-75	1	
				981662	Right (Leather jobs) 1505-15-75	1	
				995062	Right (Cloth jobs) 1522	1	
				980786	Right 1532-42-51	1	
				980750	Right 1550-70-79-89-90-9	1	
				980746	Right (Cloth jobs) 1562-71-91	1	
				980750	Right (Leather jobs) 1562-71	1	
				995042	Right (Cloth jobs) 1572	1	
				995006	Right (Cloth jobs) 1582-92	1	
				981654	Right (Cloth jobs) 1585-8-95-8	1	
				981660	Right (Leather jobs) 1585-8-95-8	1	
				995041	Left (Cloth jobs) 1502-12	1	
				981657	Left (Cloth jobs) 1505-15-25-75	1	
				981663	Left (Leather jobs) 1505-15-75	1	
				995063	Left (Cloth jobs) 1522	1	
				980787	Left 1532-42-51	1	
				980751	Left 1550-70-79-89-90-9	1	
				980747	Left (Cloth jobs) 1562-71-91	1	
				980751	Left (Leather jobs) 1562-71	1	
				995043	Left (Cloth jobs) 1572	1	
				995007	Left (Cloth jobs) 1582-92	1	
				981655	Left (Cloth jobs) 1585-8-95-8	1	
				981661	Left (Leather jobs) 1585-8-95-8	1	
				31.4113	ARM REST TRIMMED ASSEMBLY, Rear seat (center) (specify motor and set number)		
				995034	(Cloth jobs) 1502-12-72	1	
				995078	(Cloth jobs) 1522	1	
				981700	(Cloth jobs) 1525	1	
				31.41135	FLAP (TRIMMED) Rear seat (center) arm rest (specify motor & set no.)		
				995036	(Cloth jobs) 1502-12-22-72	1	
				31.4114	TRIM COVER ASSEMBLY, Rear seat folding arm rest		
				995035	(Cloth jobs) 1502-12-72	1	
				981692	(Cloth jobs) 1505-15-75-85-95	1	
				995077	(Cloth jobs) 1522	1	
				981696	1525	1	
				981012	(Cloth jobs) 1532-42-50-1-62-70-1	1	
				981013	(Leather jobs) 1562-70-1	1	

▲ Used on Clipper Four Door Sedans built after Jan. 1, 1942 only. All other body types have chrome trim. 177



- 1. ASSEMBLY DOOR FRONT HEADER AND PILLAR TRIMMED. (RIGHT OR LEFT) 31.434
- 2. ASSEMBLY CENTER PILLAR TRIMMING (RIGHT OR LEFT) 31.414
- 3. ASSEMBLY DOOR REAR HEADER AND PILLAR TRIMMED. (RIGHT OR LEFT) 31.437
- 4. ASSEMBLY BODY REAR HINGE PILLAR TRIMMING (RIGHT OR LEFT) 31.413
- 5. ASSEMBLY SIDE WINDOW HEADER TRIMMING (RIGHT OR LEFT) 31.4609
- 6. ASSEMBLY UNDER REAR WINDOW AND PACKAGE TRAY TOP 31.412
- 7. ASSEMBLY REAR SEAT SIDE TRIMMING. (RIGHT OR LEFT) 31.438 - 31.439
- 8. ASSEMBLY ARM REST (REAR SEAT) TRIMMING (RIGHT OR LEFT) 31.435 - 31.436
- 9. ASSEMBLY DOOR REAR TRIM PANEL. (RIGHT OR LEFT) 31.460
- 10. ASSEMBLY DOOR FRONT TRIM PANEL. (RIGHT OR LEFT)
- 11. ASSEMBLY PAPERBOARD COWL KICKPAD (RIGHT OR LEFT)

INDEX NO.	PART NO.	DESCRIPTION AND MODELS	PER CAR	INDEX NO.	PART NO.	DESCRIPTION AND MODELS	PER CAR
ARM REST—Continued				CENTER TRIM PILLAR—Continued			
31.412		ARM REST TRIMMED ASSEMBLY, Rear seat (cloth jobs) (spec. motor & set no.)		31.415		CENTER PILLAR LOWER TRIMMING ASSEMBLY, (Specify motor & set no.)	
975014	Right 1502-12-82-92	1	950520	Front right 1532	1
952140	Right 1505-15-75-85-8-95-8	1	950521	Front left 1532	1
975040	Right 1522-72	1	950522	Rear right 1532	1
952144	Right 1525	1	950523	Rear left 1532	1
951094	Right 1532-42	1	31.4155	CENTER PILLAR UPPER TRIMMING ASSEMBLY, (Specify motor & set no.)		
951428	Right 1550	1	950518	1532	2
951430	Right 1551	1	950100	Right (Cloth jobs) 1550-70-90	1
951098	Right 1562	1	950101	Left (Cloth jobs) 1550-70-90	1
951088	Right 1570	1	950102	(Leather jobs) 1570	2
951090	Right 1571-90-91	1	CARPET AND MATS			
951540	Right (Cloth & leather comb.) 1579	1	31.417	CARPET ASSEMBLY, Floor - front (specify motor & set no.)		
975015	Left 1502-12-82-92	1	951984	(Leather jobs) 1502-5-12-15-72-75-82-85-88-92-95-98	1
952141	Left 1505-15-75-85-8-95-8	1	951979	1522-5	1
975041	Left 1522-72	1	951124	1532-50	1
952145	Left 1525	1	951439	1542	1
951095	Left 1532-42	1	951424	1551	1
951429	Left 1550-1	1	951907	(Cloth jobs) 1562-71	1
951099	Left 1562	1	951969	(Leather jobs) 1562-71	1
951089	Left 1570-1-90-1	1	951906	(Cloth jobs) 1570	1
951541	Left (Cloth & leather comb.) 1579	1	951968	(Leather jobs) 1570	1
31.4125		ARM REST TRIMMED ASSEMBLY, Rear seat - leather jobs (spec. motor & set no.)		951966	1579	1
952142	Right 1505-15-75-85-95	1	951548	1589	1
951096	Right 1562	1	951968	1590	1
951091	Right 1570	1	951969	1591	1
951092	Right 1571	1	951550	(Leather jobs) 1599	1
952060	Right 1579	1	31.418	CARPET ASSEMBLY, Floor - rear (Specify motor & set no.)		
951878	Right 1584	1	952106	1502-12-82-92-	1
951920	Right 1589-99	1	951985	1505-15-85-95	1
952143	Left 1505-15-75-85-95	1	952104	1522	1
951097	Left 1562	1	951965	1525	1
951093	Left 1570-1	1	951448	1532	1
952061	Left 1579	1	951919	1542	1
951879	Left 1584	1	951916	1550-1	1
951921	Left 1589-99	1	951911	(Cloth jobs) 1570	1
BODY REAR HINGE PILLAR				951975	(Leather jobs) 1570	1
31.413		REAR PILLAR TRIMMING ASSEMBLY, Body (spec. motor & set no.)		951910	(Cloth jobs) 1571	1
951980	Right (Cloth) 1505-15-25-75-85-8-95-8	1	952105	(Cloth jobs) 1572	1
951982	Right (Leather) 1505-15-75-85-8-95-8	1	952106	(Leather jobs) 1572	1
951462	Right (Cloth) 1542-50-1	1	951974	(Leather jobs) 1571	1
951100	Right (Cloth) 1562-70-1-90-1	1	951986	(Cloth jobs) 1575	1
951102	Right (Leather) 1562-70-1	1	951985	(Leather jobs) 1575	1
950164	Right 1579	1	951946	1590	1
951194	Right 1589-99	1	951947	1591	1
951981	Left (Cloth) 1505-15-25-75-85-8-95-8	1	31.4185	CARPET ASSEMBLY, Floor rear center and folding seat floor		
951983	Left (Leather) 1505-15-75-85-8-95-8	1	951032	1550	1
951463	Left (Cloth) 1542-50-1	1	951031	1551	1
951101	Left (Cloth) 1562-70-1-90-1	1	31.419	CARPET ASSEMBLY, Floor rear center and folding seat floor and side sills		
951103	Left (Leather) 1562-70-1	1	951912	(Cloth jobs) 1570	1
950165	Left 1579	1	951978	(Leather jobs) 1570	1
951195	Left 1589-99	1	951908	(Cloth jobs) 1571	1
CENTER TRIM PILLAR				951977	(Leather jobs) 1571	1
31.414		CENTER PILLAR TRIMMING, (Spec. motor & set no.)		951948	1590	1
951146	1542-51	2	951949	1591	1
975002	Right (Cloth jobs) 1502-12-72-82-92	1	31.420	CARPET ASSEMBLY, Floor rear compartment		
975038	Right (Cloth jobs) 1522	1	952163	1588-98	1
951142	Right (Cloth jobs) 1562-71-91	1	31.421	CARPET ASSEMBLY, Floor rear and side sills		
951144	Right (Leather jobs) 1562-71	1	951909	(Cloth jobs) 1562	1
951880	Right 1584	1	951976	(Leather jobs) 1562	1
975003	Left (Cloth jobs) 1502-12-72-82-92	1	951136	1579-89-99	1
975039	Left (Cloth jobs) 1522	1				
951143	Left (Cloth jobs) 1562-71-91	1				
951145	Left (Leather jobs) 1562-71	1				
951881	Left 1584	1				

INDEX NO.	PART NO.	DESCRIPTION AND MODELS	PER CAR
CARPET AND MATS—Continued			
31.425		CARPET ASSEMBLY, Front seat side sill (Specify motor & set no.)	
	952164	Right 1525	1
	952165	Left 1525	1
	951034	Right 1542	1
	951035	Left 1542	1
	950866	Right 1551	1
	950867	Left 1551	1
31.427		CARPET ASSEMBLY, Trunk compartment	
	952045	Front 1525	1
	952054	Rear 1525	1
	952050	Side right 1525	1
	952051	Side left 1525	1
	951137	1532-42-50-1	1
	951138	Front 1532-42-50-1	1
	951140	Side right 1532-42-50-1	1
	951141	Side left 1532-42-50-1	1
31.430		MAT, Floor front	
	350567	LHD (Cloth jobs) 1502-5-12-15	1
	350568	LHD (Cloth jobs) 1572-5	1
	352956	LHD (Cloth jobs) 1582-5-8-92-5-8	1
	374668	1584	1
31.4300		MAT, Front floor heel, pad - rubber	
	339426	(Leather jobs) 1505-15-75-85-8-95-8	1
	339426	1562-70-1-9-89-90-1-9	1
31.431		MAT, Floor rear	
	374676	1584	1

DOOR TRIM—FRONT

31.435		TRIM PANEL ASSEMBLY, Door front - right (Specify motor & set no.)	
	975034	(Chrome trim strips) (Cloth) 1502-12	1
	▲975116	(Paint trim strips) (Cloth) 1502-12	1
	975092	(Chrome trim strips) (Leather jobs) 1502-12-72	1
	▲975132	(Paint trim strips) (Leather jobs) 1502-12-72	1
	951994	(Cloth) 1505-15-75	1
	951996	(Leather) 1505-15-75	1
	975042	(Chrome trim strips) (Cloth) 1522	1
	▲975120	(Paint trim strips) (Cloth) 1522	1
	951998	1525	1
	951192	1532-42-51	1
	951190	1550	1
	951174	(Cloth jobs) 1562-71	1
	951176	(Leather jobs) 1562-71	1
	951176	1570	1
	975012	(Chrome trim strips) (Cloth) 1572	1
	▲975112	(Paint trim strips) (Cloth) 1572	1
	951926	1579	1
	975010	(Chrome trim strips) (Cloth) 1582-92	1
	▲975110	(Paint trim strips) (Cloth) 1582-92	1
	975080	(Chrome trim strips) (Leather jobs) 1582-92	1
	▲975126	(Paint trim strips) (Leather jobs) 1582-92	1
	951882	1584	1
	951990	(Cloth) 1585-8-95-8	1
	951992	(Leather jobs) 1585-8-95-8	1
	951924	1589-99	1
	951950	1590	1
	951952	1591	1
31.436		TRIM PANEL ASSEMBLY, Door front - left (Specify motor & set no.)	
	975035	(Chrome trim strips) (Cloth) 1502-12	1
	▲975117	(Paint trim strips) (Cloth) 1502-12	1
	975093	(Chrome trim strips) (Leather jobs) 1502-12-72	1
	▲975133	(Paint trim strips) (Leather jobs) 1502-12-72	1

INDEX NO.	PART NO.	DESCRIPTION AND MODELS	PER CAR
DOOR TRIM—FRONT—Continued			
31.436		TRIM PANEL ASSEMBLY, Door front - left (Specify motor & set no.) (Cont'd)	
	951995	(Cloth) 1505-15-75	1
	951997	(Leather) 1505-15-75	1
	975043	(Chrome trim strips) (Cloth) 1522	1
	▲975121	(Paint trim strips) (Cloth) 1522	1
	951999	1525	1
	951193	1532-42-51	1
	951191	1550	1
	951175	(Cloth jobs) 1562-71	1
	951177	(Leather jobs) 1562-71	1
	951177	1570	1
	975013	(Chrome trim strips) (Cloth) 1572	1
	▲975113	(Paint trim strips) (Cloth) 1572	1
	951927	1579	1
	975011	(Chrome trim strips) (Cloth) 1582-92	1
	▲975111	(Paint trim strips) (Cloth) 1582-92	1
	975081	(Chrome trim strips) (Leather jobs) 1582-92	1
	▲975127	(Paint trim strips) (Leather jobs) 1582-92	1
	951883	1584	1
	951991	(Cloth) 1585-8-95-8	1
	951993	(Leather jobs) 1585-8-95-8	1
	951925	1589-99	1
	951951	1590	1
	951953	1591	1
31.4363		MAT, Door (front) trim panel bottom rubber	
	369978	Right 1584	1
	369979	Left 1584	1
31.4365		MOULDING, Door (front) trim panel	
	376628	(Chrome) Top 1502-12-72	2
	▲380580	(Paint) Top 1502-12-72	2
	372835	(Chrome) Bottom 1502-12-72	2
	▲380590	(Paint) Bottom 1502-12-72	2
	352974	(Chrome) Center 1502-12-72	12
	▲350712	(Paint) Center 1502-12-72	12
	352975	Top (Formed) 1505-15-75	2
	352976	Bottom (Straight) 1505-15-75	2
	352974	Center (Straight) 1505-15-75	12
	376644	(Chrome) (Bottom upper) 1522	2
	▲380588	(Paint) (Bottom - Upper) 1522	2
	380172	(Chrome) (Bottom lower) 1522	6
	▲380582	(Paint) (Bottom - lower) 1522	6
	376642	(Chrome) (Top - Upper) 1522	2
	▲380671	(Paint) (Top - Upper) 1522	2
	376643	(Chrome) (Top - Lower) 1522	2
	▲380670	(Paint) (Top - Lower) 1522	2
	352966	(Straight) 1525	2
	350616	(Bottom) 1525	4
	352967	(Center) (Formed) 1525	2
	350576	(Lower) 1525	2
	352968	(Upper) (Formed) 1525	2
	352842	(Bottom) 1579	4
	372792	(Chrome) Right 1582-92	1
	▲380654	(Paint) Right 1582-92	1
	372793	(Chrome) Left 1582-92	1
	▲380655	(Paint) Left 1582-92	1
	372836	(Chrome) (Center) 1582-92	2
	▲380591	(Paint) (Center) 1582-92	2
	352978	(Upper Right) (Formed) 1585-88-95-98	1
	352979	(Upper Left) (Formed) 1585-88-95-98	1
	352977	(Center) (Straight) 1585-88-95-98	2
DOOR TRIM—REAR			
31.438		TRIM PANEL ASSEMBLY, Door rear - right (Specify motor & set no.)	
	975036	(Chrome trim strips) (Cloth jobs) 1502-12-72	1
	▲975118	(Paint trim strips) (Cloth jobs) 1502-12-72	1

INDEX NO.	PART NO.	DESCRIPTION AND MODELS	PER CAR
FRONT SEAT TRIM—Continued			
31.452	CUSHION (TRIMMED) ASSEMBLY, Front seat (Specify motor & set no.) (Cont'd)		
	952009 (Cloth) 1575	1
	952129 (Leather) 1575	1
	951931 1579	1
	975099 (Cloth) 1582-92	1
	952008 (Cloth) 1585-8-95-8	1
	951887 1584	1
	951930 1589	1
	951959 1590	1
	951960 1591	1
	951935 1599	1
31.4523	PAD, Front seat cushion		
	380774 (Rubber) (Use with special foam rubber equipt.) 1502-12-82-92	1
	380880 (Cotton & Hair) (Cloth jobs) (Not used with foam rubber equipt.) 1502-12	1
	380876 (Cotton & Hair) (Leather jobs) (Not used with foam pad equipt.) 1502-12	1
	380865 (Cotton) (Use with special foam rubber equipt. - cloth jobs) 1582-92	1
	380876 (Cotton & Hair) (Not used with foam pad equipt.) 1572-82-92	1
	365998 (Cotton) 1584	1
31.453	TRIM COVER ASSEMBLY, Front seat cushion		
	995027 (Cloth jobs) 1502-12-72	1
	981647 (Cloth jobs) 1505-15	1
	981633 (Leather jobs) 1505-15-75-85-8-95-8	1
	995068 (Cloth jobs) 1522	1
	981652 1525	1
	980957 1532	1
	980955 1542	1
	980956 1550	1
	980954 1551	1
	980945 (Cloth jobs) 1562-71-91	1
	980947 (Leather jobs) 1562-71	1
	980953 1570-90	1
	981737 (Cloth jobs) 1575	1
	981604 1579-89-99	1
	995011 (Cloth jobs) 1582-92	1
	981625 (Cloth jobs) 1585-8-95-8	1
	981571 1584	1
31.4534	PAD, Front seat back		
	369901 (Sponge rubber) 1584	1
	369900 (Cotton) 1584	1
	369904 (Cotton to burlap) 1584	1
31.455	TRIM COVER ASSEMBLY, Front seat back		
	995026 (Cloth jobs) 1502-12-72	1
	995069 (Cloth jobs) 1522	1
	980918 1532	1
	980917 1542	1
	980915 1550	1
	980916 1551	1
	980919 (Cloth jobs) 1562-71-91	1
	980903 (Leather jobs) 1562-71	1
	980907 1570-90	1
	995014 (Cloth jobs) 1582-92	1
	981570 1584	1
	981626 Right (Cloth jobs) 1505-15-75-85-8-95-8	1
	981630 Right (Leather jobs) 1505-15-75-85-8-95-8	1
	981628 Right 1525	1
	981750 Right (All leather) 1579	1
	981748 Right (Cloth & leather) 1579	1
	981600 Right 1589-99	1
	981627 Left (Cloth jobs) 1505-15-75-85-8-95-8	1
	981631 Left (Leather jobs) 1505-15-75-85-8-95-8	1
	981629 Left 1525	1
	981751 Left (All leather) 1579	1
	981749 Left (Cloth & leather) 1579	1
	981601 Left 1589-99	1

INDEX NO.	PART NO.	DESCRIPTION AND MODELS	PER CAR
FRONT SEAT TRIM—Continued			
31.4555	TRIM COVER ASSEMBLY, Rear of front seat back (Specify motor & set no.)		
	995023 (Cloth jobs) 1502-12-72	1
	995073 (Chrome trim strips) (Cloth jobs) 1522	1
	▲995181 (Paint trim strips) 1522	1
	980887 (Cloth jobs) 1562-71-91	1
	980896 (Leather jobs) 1562-71	1
	995017 (Cloth jobs) 1582-92	1
	981638 Right (Cloth jobs) 1505-15-75-85-95	1
	981642 Right (Leather jobs) 1505-15-75-85-88-95-98	1
	981786 Right (Cloth jobs) 1525	1
	981746 Right (All leather) 1579	1
	981538 Right (Cloth & leather) 1579	1
	981640 Right (Cloth jobs) 1588-98	1
	981596 Right 1589-99	1
	981639 Left (Cloth jobs) 1505-15-75-85-95	1
	981643 Left (Leather jobs) 1505-15-75-85-88-95-98	1
	981787 Left (Cloth jobs) 1525	1
	981747 Left (All leather) 1579	1
	981539 Left (Cloth & leather) 1579	1
	981641 Left (Cloth jobs) 1588-98	1
	981597 Left 1589-99	1
31.4556	MOULDING, Front seat		
	372849 (Chrome) (Finishing trim) (27-1/2") 1502-12-22-72	2
	▲380578 (Paint) (Finishing trim) (27-1/2") 1502-12-22-72	2
	352964 (22-5/8") 1505-15-25-72	2
	380255 (Chrome) (Back-trim panel-side) (19-1/2") 1522	2
	▲380598 (Paint) (Back trim panel-side) (19-1/2") 1522	2
	380250 (Chrome) (Back trim panel-upper) (43-7/8") 1522	1
	▲380672 (Paint) (Back trim panel-upper) (43-7/8") 1522	1
	380251 (Chrome) (Back trim panel-upper center) (43-7/8") 1522	1
	▲381081 (Paint) (Back trim panel-upper center) (43-7/8") 1522	1
	380448 (Chrome) (Finishing trim) (27-1/2") 1522	2
	▲380579 (Paint) (Finishing trim) (27-1/2") 1522	2
	380552 (Has chrome trim strip) (Assembly-Back top) 1522	1
	▲381263 (Has painted trim strip) (Assembly-Back top) 1522	2
	380192 (Chrome) (Finishing trim-center right) (27-5/32") 1522	1
	▲380676 (Paint) (Finishing trim-center right) (27-5/32") 1522	1
	380194 (Chrome) (Finishing trim-lower) (27") 1522	2
	▲380677 (Paint) (Finishing trim-lower) (27") 1522	2
	380193 (Chrome) (Finishing trim-lower center) (27") 1522	2
	▲380674 (Paint) (Finishing trim-lower center) (27") 1522	2
	380339 (Chrome) (Finishing trim-upper center-front left) (12-13/16") 1522	1
	▲380673 (Paint) (Finishing trim-upper center-front left) (12-13/16") 1522	1
	380340 (Chrome) (Finishing trim-upper center-rear left) (12-1/8") 1522	1
	▲380675 (Paint) (Finishing trim-upper center-rear left) (12-1/8") 1522	1
	350622 (Back-lower right) (23-1/2") 1525	1
	350623 (Back-lower left) (23-1/2") 1525	1
	350620 (Back-upper right) (23-1/2") 1525	1
	350621 (Back-upper left) (23-1/2") 1525	1
	350570 (Side) (22-5/8") 1525	5
	350571 (Side front left) (9-9/16") 1525	1
	350572 (Side rear left) (15-5/8") 1525	1

▲ Used on Clipper Four Door Sedans built after Jan. 1, 1942 only. All other body types have chrome trim. 182

INDEX NO.	PART NO.	DESCRIPTION AND MODELS	PER CAR	INDEX NO.	PART NO.	DESCRIPTION AND MODELS	PER CAR
FRONT SEAT TRIM—Continued				KICK PADS—Continued			
31.4557	TRIM STRIP	Front seat back moulding		31.460	PAPERBOARD ASSEMBLY	Cowl kick pad (color to harmonize with trim)	
	376595	(Chrome) 1522	2	350434	Right (Antique grain)	(Leather jobs) 1502-5-12-5-72-5-82-5-8-92-5-8	1
	▲380646	(Paint) 1522	2	350432	Right (Colonial grain)	(Cloth & Black Leather jobs) 1502-5-12-15-72-5-82-5-8-92-5-8	1
31.4558	END PLATE	Front seat back moulding trim strip		951988	Right	1525	1
	374406	(Chrome) Right 1522	1	980214	Right	1532-42-50-1	1
	▲380640	(Paint) Right 1522	1	950000	Right (Antique grain)	(Leather) 1562-70-1-9	1
	374407	(Chrome) Left 1522	1	950436	Right (Colonial grain)	(Cloth & Black Leather jobs) 1562-70-1-9-90-1	1
	▲380641	(Paint) Left 1522	1	950002	Right (Antique grain)	1589-99	1
HASSOCK				950434	Right (Colonial grain)	(Black leather jobs) 1589-99	1
31.456	HASSOCK ASSEMBLY			350435	Left (Antique grain)	(Leather jobs) 1502-5-12-5-72-5-82-5-8-92-5-8	1
	353507	1532	2	350433	Left (Colonial grain)	(Cloth & Black Leather jobs) 1502-5-12-15-72-5-82-5-8-92-5-8	1
	374714	(Cloth jobs) 1562	2	951989	Left	1525	1
	374715	(Leather jobs) 1562	2	980215	Left	1532-42-50-1	1
31.457	TRIM COVER ASSEMBLY	Hassock		950001	Left (Antique grain)	(Leather jobs) 1562-70-1-9	1
	980587	1532	2	950437	Left (Colonial grain)	(Cloth & Black Leather) 1562-70-1-9-90-1	1
HEADLINING				950003	Left (Antique grain)	1589-99	1
31.458	HEADLINING ASSEMBLY	(Specify motor & set no.)		950435	Left (Colonial grain)	(Black leather jobs) 1589-99	1
	995000	(Cloth jobs) 1502-12-72-82-92	1	950436	Right	1584	1
	952013	(Cloth jobs) 1505-15-25-75-85-8-95-8	1	950437	Left	1584	1
	952015	(Leather jobs) 1505-15-75-85-8-95-8	1	REAR COMPARTMENT			
	995057	(Cloth jobs) 1522	1	31.4609	TRAY TOP ASSEMBLY	Under rear window and package	
	951285	1532	1	380824	1502-12-72		1
	951873	1542	1	350410	(Cloth & black leather jobs) 1505-15-75-85-88-95-98		1
	951913	1550-1	10	350411	(Leather jobs except black leather) 1505-15-75-85-88-95-98		1
	951293	(Cloth jobs) 1562	1	951987	1525		1
	951294	(Leather jobs) 1562	1	951388	1532		1
	951291	(Cloth jobs) 1570-1-90-1	1	951389	(Cloth jobs) 1542-50-1-62-70-1		1
	951292	(Leather jobs) 1570-1	1	951393	(Leather jobs) 1562-70-1		1
	951889	1584	1	380849	1582-92		1
KICK PADS				951903	1584		1
31.459	TRIMMING ASSEMBLY	Cowl kick pad (color to harmonize with trim)		352993	1590-1		1
	950106	Right 1532-42-51	1	REAR SEAT TRIM			
	950678	Right 1550	1	31.461	TRIM COVER ASSEMBLY	Rear seat back	
	950107	Left 1532-42-51	1	995048	Right (Cloth jobs)	1502-12-72	1
	950679	Left 1550	1	995080	Right (Cloth jobs)	1522	1
31.4593	KICK PAD TRIMMED ASSEMBLY	Cowl (Specify motor & set no.)		981694	Right	1525	1
	951988	(Chrome trim strips) Right 1522-25	1	980988	Right	1532-42	1
	▲952168	(Paint trim strips) Right 1522	1	980986	Right	1550-1	1
	951989	(Chrome trim strips) Left 1522-25	1	980982	Right (Cloth jobs)	1562	1
	▲952169	(Paint trim strips) Left 1522	1	980984	Right (Leather jobs)	1562	1
	952074	Right 1579	1	980978	Right (Cloth jobs)	1570-1	1
	952075	Left 1579	1	980980	Right (Leather jobs)	1570-1	1
31.4595	MOULDING	Cowl kick pad		995049	Left (Cloth jobs)	1502-12-72	1
	350502	(Chrome) Right (1/2" wide) 1522-25	1	995081	Left (Cloth jobs)	1522	1
	▲350700	(Paint) Right (1/2" wide) 1522	1	981695	Left	1525	1
	350580	(Chrome) Right-bottom (7/32" wide) 1522-25	1	980989	Left	1532-42	1
	▲350702	(Paint) Right-bottom (7/32" wide) 1522	1	980987	Left	1550-1	1
	350580	(Chrome) Right-center (7/32" wide) 1522-25	1	980983	Left (Cloth jobs)	1562	1
	▲350704	(Paint) Right-center (7/32" wide) 1522	1	980985	Left (Leather jobs)	1562	1
	350578	(Chrome) Right-upper (7/32" wide) 1522-25	1	980979	Left (Cloth jobs)	1570-1	1
	▲350706	(Paint) Right-upper (7/32" wide) 1522	1	980981	Left (Leather jobs)	1570-1	1
	350503	(Chrome) Left (1/2" wide) 1522-25	1	981692	(Cloth jobs) 1505-15-75-85-95		1
	▲350701	(Paint) Left (1/2" wide) 1522	1	981693	(Leather jobs) 1505-15-75-85-95		1
	350583	(Chrome) Left-bottom (7/32" wide) 1522-25	1	981605	1579-89-99		1
	▲350703	(Paint) Left-bottom (7/32" wide) 1522	1				
	350581	(Chrome) Left-center (7/32" wide) 1522-25	1				
	▲350705	(Paint) Left-center (7/32" wide) 1522	1				
	350579	(Chrome) Left-upper (7/32" wide) 1522-25	1				
	▲350707	(Paint) Left-upper (7/32" wide) 1522	1				

▲ Used on Clipper Four Door Sedans built after Jan. 1, 1942 only. All other body types have chrome trim. 183

INDEX NO.	PART NO.	DESCRIPTION AND MODELS	PER CAR
REAR SEAT TRIM—Continued			
31.461	TRIM COVER ASSEMBLY, Rear seat back (Cont'd)		
	995024 (Cloth jobs) 1582-92	1	
	981582 1584	1	
	981623 1590-1	1	
31.4613	PAD, Rear seat back		
	369905 Upper (Cotton) 1584	1	
	369906 Lower (Cotton) 1584	1	
31.4615	MOULDING, Rear seat		
	352965 (Cushion bolster) (61-1/4") 1505-15-25-75	1	
	352984 (Side trimming) (7-7/8") 1505-15-75	2	
	380284 (Chrome) (Cushion bolster) (59-3/4") 1522	1	
	▲380573 (Paint) (Cushion bolster) (59-3/4") 1522	1	
	380310 (Chrome) (Cushion bolster) (59-3/4") 1522	3	
	▲380597 (Paint) (Cushion bolster) (59-3/4") 1522	1	
	380434 (Chrome) (Cushion bolster lower) (22-7/8") 1522	1	
	▲380594 (Paint) (Cushion bolster lower) (22-7/8") 1522	1	
	380432 (Chrome) (Cushion bolster upper center) (27-7/16") 1522	1	
	▲380596 (Paint) (Cushion bolster upper center) (27-7/16") 1522	1	
	380433 (Chrome) (Cushion bolster lower center) (25-11/16") 1522	1	
	▲380595 (Paint) (Cushion bolster lower center) (25-11/16") 1522	1	
	350574 (Cushion bolster - center) (26-11/16") 1525	2	
	350575 (Cushion bolster - lower) (20-1/2") 1525	2	
	350573 (Cushion bolster - upper) (28-1/8") 1525	2	
	352982 (Side trimming) (7") 1525	2	
	350577 (Side trimming) (7") 1525	6	
	370052 (Chrome) (Cushion bolster) (59-3/4") 1572-82-92	1	
	▲380572 (Paint) (Cushion bolster) (59-3/4") 1572-82-92	1	
	352965 (Cushion bolster) (Leather jobs) (61-1/4") 1585-95	1	
	376099 Nut (Cushion bolster mldg.) 1522-72	11	
31.462	CUSHION (TRIMMED) ASSEMBLY, Rear seat		
	975103 (Chrome trim strips) (Cloth jobs) 1502-12-72	1	
	▲975136 (Paint trim strips) (Cloth jobs) 1502-12	1	
	975088 (Chrome trim strips) (Leather jobs) 1502-12-72	1	
	▲975131 (Paint trim strips) (Leather jobs) 1502-12-72	1	
	952023 (Cloth jobs) 1505-15	1	
	952026 (Leather jobs) 1505-15-85-95	1	
	975048 (Chrome trim strips) (Cloth jobs) 1522	1	
	▲975124 (Paint trim strips) (Cloth jobs) 1522	1	
	952024 1525	1	
	951349 1532-42	1	
	951348 1550-1	1	
	951345 (Cloth jobs) 1562	1	
	951346 (Leather jobs) 1562	1	
	951343 (Cloth jobs) 1570-1	1	
	951344 (Leather jobs) 1570-1	1	
	▲975125 (Paint trim strips) (Cloth jobs) 1572	1	
	952130 (Cloth jobs) 1575	1	
	952131 (Leather jobs) 1575	1	
	951934 1579	1	
	975018 (Cloth jobs) 1582-92	1	
	951899 1584	1	
	952022 (Cloth jobs) 1585-95	1	
	951933 1589	1	
	951963 1590-91	1	
	951936 1599	1	
31.4623	PAD, Rear seat cushion		
	380775 (Rubber) (Use with special foam rubber equipt.) 1502-12-82-92	1	

INDEX NO.	PART NO.	DESCRIPTION AND MODELS	PER CAR
REAR SEAT TRIM—Continued			
31.4623	PAD, Rear seat cushion (Cont'd)		
	380866 (Cotton) (Use with special foam rubber equipt. cloth jobs) 1582-92	1	
	380881 (Cotton & hair) (Cloth jobs) (Not used with foam pad equipt.) 1502-12	1	
	370758 (Cotton & hair) (Not used with foam pad equipt.) 1572-82-92	1	
	370758 (Cotton & hair) (Leather jobs) (Not used with foam pad equipt.) 1502-12	1	
	369902 (Cotton to burlap) Front 1584	1	
	369870 (Cotton to burlap) Rear 1584	1	
	369903 (Cotton to cotton) 1584	1	
31.463	TRIM COVER ASSEMBLY, Rear seat cushion		
	995037 (Cloth jobs) 1502-12-72	1	
	981702 (Cloth jobs) 1505-15-75	1	
	981704 (Leather jobs) 1505-15-75-85-95	1	
	995075 (Cloth jobs) 1522	1	
	981703 1525	1	
	981005 1532-42	1	
	981004 1550-1	1	
	980997 (Cloth jobs) 1562	1	
	980998 (Leather jobs) 1562	1	
	981002 (Cloth jobs) 1570-1	1	
	981003 (Leather jobs) 1570-1	1	
	981610 1579-89-99	1	
	995019 (Cloth jobs) 1582-92	1	
	981583 1584	1	
	981701 (Cloth jobs) 1585-95	1	
	981624 1590-1	1	

TRIM BULK STOCK

31.465	BINDING 1-1/8" BIAS CUT, Black imitation leather colonial grain		
	306536 (Leather jobs) 1505-15-32-42-50-1-62-70-1-5-9-84-9-99	x	
	BINDING-CARPET, 1" wide		
	376904 (Cloth jobs) 1502-12-72-82-92	x	
	352636 (Cloth jobs) 1562-70-1	x	
	350417 (Leather jobs) 1505-15-70-1-5-85-95	x	
	350528 1584	x	
	BINDING, 3/4" double fold bias cut imitation leather		
	350739 (Colonial grain) 1584	x	
	BINDING-WIRE-ON 5/8" WIDE, Cloth		
	339406 1532-42-50-1	x	
	339263 1562-70-1	x	
	BINDING-WIRE-ON 5/8" WIDE, Imitation leather		
	339386 (Antique) 1505-15-32-62-70-1-5-9-85-8-9-95-8-9	x	
	306251 (Colonial grain) 1505-15-32-62-70-1-5-9-85-8-9-95-8-9	x	
	176578 (Colonial grain) 1550	x	
31.466	BUCKRAM		
	361946 (Two ply 40" wide) 1502-12-22-72-84	x	
	167914 (Single ply 38" wide) 1550-1-70-1	x	
31.468	CARPET		
	352887 (36" wide) 1522-25	x	
	376932 (40" wide) 1522	x	
	350544 (44" wide) 1588-98	x	
31.469	CLOTH, Cotton		
	29651 (36" wide) 1532-42-50-1-70-1-84	x	
	233267 (50" wide) 1532	x	
31.471	CORD-WELT 3/32" cord 3/8" flange		
	339294 (Cloth) 1525-32-42-50-1	x	
	339432 (Leather) (Colonial grain) 1550	x	

INDEX NO.	PART NO.	DESCRIPTION AND MODELS	PER CAR
TRIM BULK STOCK—Continued			
31.471	CORD WELT, Imitation leather 1/8" paper cord 3/8" flange		
	350415 (Leather) 1505-15-85-95		x
	CORD-WELT, Imitation leather 3/16" paper cord 3/8" flange		
	352963 (Antique) 1579-89-99		x
	352928 (Colonial grain) 1532-79-89-99		x
	CORD WELT, Imitation leather 5/8" paper cord 3/16" flange		
	350416 1562-70-1		x
	352892 (Mahogany finish) 1532-50-1		x
	243020 1579-89-99		x
	CORD WELT, Seaming lace 3/32" cord 3/8" flange		
	350560 1522-5		x
	CORD WELT, Seaming lace 1/8" paper cord 3/8" flange		
	339387 (Leather) (Antique) 1505-15-62-70-1-5-9-85-8-9-95-8-9		x
	334337 (Leather) (Colonial grain) 1505-15-62-70-1-5-9-84-5-9-95-8-9		x
	339233 (Cloth jobs) 1562-70-1		x
	376935 (Cloth jobs) 1562-70-1-2-5		x
	CORD WELT, Seaming lace 1/8" paper cord 5/8" flange (imitation leather)		
	350359 1505-15-25-75-85-8-95-8		x
	CORD WELT, Seaming lace 1/4" jute cord 3/8" flange		
	352759 (Cloth) 1532-42-50-1		x
	352762 (Cloth) 1562-70-1		x
	352694 (Antique) (Leather jobs) 1562-70-1-9-89-99		x
	352693 (Colonial grain) (Leather jobs) 1562-70-1-9-89-99		x
31.473	DRILL WHITE COTTON, 7 oz. 36" wide		
	161787 1525-32-42-50-1		x
31.474	FABRIC, Osnaburg 50" wide 1.71 black		
	306132 20th Sr.		x
	FABRIC, Roof covering 42" wide		
	184863 (Turtle Grain 159 Black finish) 1532		x
	FABRIC-TOP MATERIAL, 54" wide (Water repellent treated)		
	350378 (Black) 1579-89-99		x
	350375 (Khaki) 1579-89-99		x
	350374 (Colored tops) 1579-89-99		x
	FABRIC-TOP BOOT MATERIAL, 54" wide		
	339410 (Khaki Top) 1579-89-99		x
	350379 (Black Top) 1579-89-99		x
	350374 (Colored Top) 1579-89-99		x
	FABRIC-TOP PAD MATERIAL, 54" wide		
	350382 (With backing) 1579-89-99		x
	350377 1579-89-99		x
	FABRIC, Upholstering 58" body cloth		
	352441 (On 1502-12-82-92 use with trim #43-6-8) 1502-5-12-5-82-92		x
	339429 (On 1522-5 use with trim #144-161) 1522-5-32-42-50-1		x
	185211 (On 1522-5 use with trim #361-719-745-839) 1522-5-32-42-50-1		x
	352442 1562-70-1-2-5		x
	370868 (Use with trim #5) 1582-92		x
	370992 (Use with trim #9) 1582-92		x
	352440 (On 1582-92 use with trim #31-2-5) 1582-5-8-92-5-8		x
	352441 1590-1		x

INDEX NO.	PART NO.	DESCRIPTION AND MODELS	PER CAR
TRIM BULK STOCK—Continued			
31.474	FABRIC, Upholstering headlining		
	325195 (Cloth jobs) (61" wide) (On 1582-92 use with trim #31-2-5-43-6-8) 1502-5-12-5-62-70-1-2-5-8-92-5-8		x
	339430 (Cloth jobs) (58" wide) 1522-5-32-42-50-1		x
	370871 (Cloth jobs) (60" wide) (Use with trim #5) 1582-92		x
	370886 (Cloth jobs) (60" wide) (Use with trim #9) 1582-92		x
	352444 (Cloth jobs) 1590-1		x
	FABRIC, Upholstering side wall		
	352443 (58" wide) (On 1502-12-82-92 use with trim #31-2-5-45) 1502-5-12-5-82-5-8-92-5-8		x
	339430 (58" wide) 1522-5-32-42-50-1		x
	352445 (60" wide) 1562-70-1-2-5		x
	352444 (58" wide) (On 1582-92 use with trim #43-6-8) 1582-90-1-2		x
	370870 (58" wide) (Use with trim #5) 1582-92		x
	376924 (58" wide) (Use with trim #9) 1582-92		x
31.4745	FASTENER-COWL PANEL TRIM		
	306948 1532-42-50-1		2
	307059 1562-70-1-9-84-9-99		2
	306179 1532-42-50-1-62-70-1-9-84-9-99		12
	FASTENER, Door trim		
	361929 1502-12-22-72-82-92		x
	352886 1505-15-25-32-42-50-1-62-70-1-5-9-84-5-8-9-95-8-9		x
	FASTENER-FRONT SEAT BACK PANEL TRIM		
	339435 (Bottom) 1542-51-62-71		x
	306130 (Top) 1562-71-9-89-99		x
	FASTENER ASSEMBLY, Front seat bottom frame rear corner trimming		
	337312 1505-15-25-75-85-8-95-8		4
	FASTENER, Partition Panel Back Top		
	352354 1542-51		x
	FASTENER, Rear compartment panel trimming		
	337312 1588-98		27
	FASTENER, Rear seat side trimming		
	337312 1505-15-25-75-85-95		18
	FASTENER ASSEMBLY, Trunk Compartment - Front		
	311361 1525		3
	331791 1525		6
	331791 1532-42-50-1		x
	339437 1505-15-62-70-1-5-9-84-5-8-9-95-8-9		x
	370796 1502-12-72-82-92		x
	FASTENER, Trunk compartment wheelhouse filler		
	307059 1505-15-25-75-85-8-95-8		4
	FASTENER ASSEMBLY, Under rear window and package tray		
	370994 1502-12-72		7
	306130 1532-42-50-1-62-70-1-84		x
	307059 1505-15-25-75-85-8-95-8		4
	FASTENER, Eyelet		
	195664 (Top rear curtain) 1579-89-99		x
	FASTENER, Nail		
	334142 (Arm Rest Trim Panel) 1562		x
	352948 (Arm Rest Trim Panel) 1532-42		x
	376121 (Center Pillar Trim) 1502-12-22-72-82-92		18
	334142 (Center Pillar Trim) 1542-51-62-71-84		x
	334142 (Wheelhouse Cover) 1584		6
	FASTENER, Plate		
	339253 (Arm Rest Trim Panel) 1532-42-62		x

INDEX NO.	PART NO.	DESCRIPTION AND MODELS	PER CAR
TRIM BULK STOCK—Continued			
31.4745		FASTENER, Plate (Cont'd)	
	376119	(Center Pillar Trim) 1502-12-22-72-82-92 ..	18
	339253	(Center Pillar Trim) 1542-51-62-71	x
	339253	(Wheelhouse Cover) 1584	6
		FASTENER, Snap button	
	139159	(Top Envelope & Bag) 1579-89-99	x
		FASTENER, Snap Eyelet	
	175757	(Carpet) 1550-1-70-1	x
	139158	(Top Envelope Bag) 1579-89-99	x
		FASTENER, Snap (Machine screw post)	
	325481	(Body Belt rail) 1579-89-99	x
		FASTENER, Snap machine screw post trim button	
	349888	(Rear Quarter Panel Trimming) 1579-89-99 ..	x
		FASTENER, Snap Socket	
	139150	(Carpet floor rear) 1550-1	x
	139150	(Top envelope & bag) 1579-89-99	x
	352000	(Wheel compartment floor) 1532-42-50-1	x
	352000	(Carpet floor front) 1562-70-1-9-89-99	x
	352000	(Carpet floor rear) 1570-1	x
		FASTENER, Snap Stud	
	139157	(Top envelope bag) 1579-89-99	x
	325119	(Top envelope) 1579-89-99	x
	334380	(Carpet floor) 1532-42-50-1-62-70-1-9-89-99	x
		FASTENER, Snap Stud (Drive screw)	
	206744	(Folding seat heel board) 1550-1-70-1	x
		FASTENER, Snap Stud (Self tapping)	
	334380	(Top Envelope) 1579-89-99	x
	339018	(Wheel Compartment Floor) 1532-42-50-1	x
		FASTENER, Stud	
	328127	(Arm rest trim panel) 1532-42-62	x
	328127	(Center pillar trim) 1542-51-62-71-84	x
	328125	(Wheelhouse cover) 1584	6
		FASTENER, Stud two screw base-top rear curtain	
	195341	1579-89-99	x
		FASTENER, Stud rivet 9/64" x 1/4" twoscrew base-top rear curtain	
	195683	1579-89-99	x
		FASTENER, Stud washer	
	161792	(Top rear curtain) 1579-89-99	x
31.475		FELT	
	370851	(3/32" x 1-1/2") 20th Sr.	x
	361947	(1/8" x 3/4") 20th Sr.	x
	350490	(1/4" x 3/16") 20th Sr.	x
	352758	(2" x 1/16") 20th Sr.	x
	306537	(Top bow filler) 1579-89-99	x
31.476		GIMP, Binding 1/2"	
	361943	1522	x
		GIMP, 3/4" Bias Cut Imitation Leather	
	339390	(Antique) 1579-89-99	x
	156857	(Colonial) 1579-89-99	x
31.477		HOG RINGS	
	306188	(Small) 20th Sr.	x
	314737	(Large) 20th Sr.	x
31.480		LACE, Flat seaming 1-1/4" wide 3/8" pattern face	
	350395	1525	x
31.481		LEATHER, Imitation 1.30 sateen 50" wide	
	352936	(Leather jobs) (Colonial grain) 20th Sr. ..	x
	352935	(Leather jobs) (Antique grain) 1502-5-12-5-62-70-1-2-5-9-82-5-8-9-92-5-8-9	x
	370872	(Cloth jobs) 1502-5-12-5-72-5-82-5-8-92-5-8	x

INDEX NO.	PART NO.	DESCRIPTION AND MODELS	PER CAR
TRIM BULK STOCK—Continued			
31.481		LEATHER, Turtle Grain (Landau 10 to 10-1/2 oz.) (blk.)	
	183986	1532	x
		LEATHER, Trimming (Hand buffed)	
	339391	(Antique grain) 20th Sr.	x
	156348	(Colonial grain) 20th Sr.	x
		LEATHER, Trimming (Machine buffed)	
	306236	(Colonial grain) 1584	x
		LEATHER, Trimming (Hatton hair pore grain)	
	350360	1522-5	x
31.4815		MASONITE, 48" x 144" (.105)	
	352386	1550-1	x
31.483		PAD-JUTE 36" wide	
	226167	(20 oz.) 20th Sr.	x
	200737	(40 oz.) 20th Sr.	x
31.485		PAPERBOARD	
	352097	(40" x 60" .040) 20th Sr.	x
	352140	(40" x 60" .060) 20th Sr.	x
	352382	(40" x 60" .100) 20th Sr.	x
	352141	(40" x 60" .080) 20th Sr.	x
	352096	(52" x 60" .070) 20th Sr.	x
	352349	(40" x 60" .125) 20th Sr.	x
31.486		PAPERBOARD SHIM	
	350504	(3/4" x 36" .060) 20th Sr.	x
	312379	(1" x 36" .060) 20th Sr.	x
	339158	(1/2" x 60" .090) 20th Sr.	x
	312380	(1" x 36" .100) 20th Sr.	x
	312381	(1/2" x 36" .060) 20th Sr.	x
	312382	(1/4" x 36" .060) 20th Sr.	x
31.487		PLUSH-HIGH PILE WORSTED, 58" wide	
	211171	1522-5-32-42-50-1	x
31.490		SHEETING-48-44 COUNT, (Used for listings)	
	352961	(3-1/2" wide 40") 20th Sr.	x
	352960	(2-1/2" wide 40") 20th Sr.	x
31.4915		TACK-LACE	
	29657	(Japanned 4 oz.) 20th Sr.	x
	339167	(Japanned 6 oz.) 20th Sr.	x
	128467	(Japanned 8 oz.) 20th Sr.	x
		TACK-TRIMMERS	
	29662	(1-1/2 oz. Japanned) 20th Sr.	x
	29663	(2-1/2 oz. Japanned) 20th Sr.	x
	29664	(4 oz. Japanned) 20th Sr.	x
	29666	(10 oz. Japanned) 20th Sr.	x
31.4916		TAPE, 1/2" bias cloth	
	376926	(Leather jobs) 1502-12-72-82-92	x
	352147	1505-15-25-75-85-8-95-8	x
31.4917		THREAD	
	339428	(16-4 Soft Finish) 20th Sr.	x
	306199	(16-4 Silk Finish) 20th Sr.	x
	127808	(20-4 Silk Finish) 20th Sr.	x
	29640	("EE" No. 18 or Dean and Sherk No.12-4) 20th Sr.	x
	200639	(90-3 Drayton Carlisle three cord left twist) 1525	x
	306200	(20-4 Soft Finish) 20th Sr.	x
	334155	(70-3 Silk Finish Cotton Left Twist) 20th Sr.	x
	29637	(#EE Spool Silk) 1532	x
31.492		WADDING, Blue sheet	
	29627	(32") 20th Sr.	x
	361936	(42") 20th Sr.	x

INDEX NO.	PART NO.	DESCRIPTION AND MODELS	PER CAR	INDEX NO.	PART NO.	DESCRIPTION AND MODELS	PER CAR
TRIM BULK STOCK—Continued							
31.492		WADDING WHITE COTTON, Unbleached rolled					
	172470	(4"-5 oz.) 20th Sr.	x				
	339261	(6"-6 oz.) 20th Sr.	x				
	365991	(9"-9 oz.) 1584	x				
	365992	(10"-12 oz.) 1584	x				
	369765	(5"-3-1/2 oz.) 20th Sr.	x				
	380867	(5"-5 oz.) 20th Sr.	x				
	380839	(9"-12 oz.) 20th Sr.	x				
	380863	(9"-12 oz.) 20th Sr.	x				
	350551	(10"-8 oz.) 20th Sr.	x				
	172470	(4"-5 oz.) 20th Sr.	x				
		WADDING, Unbleached 32" wide					
	352888	(#532) 20th Sr.	x				
	352718	(#632 Glazed one side) 20th Sr.	x				
31.494		WEBBING					
	352384	(1" wide elastic) 1542-51	x				
	62759	(3" wide jute) 1579-89-99	x				
31.4954		WINDCORD LACE, 3" wide					
	370873	(Use with trim #5) 1582-92	x				
	370888	(Use with trim #9) 1582-92	x				
	376898	(Use with trim #31-2-43-6-8) 1582-92	x				
	376899	(Use with trim #35-45) 1502-12-82-92	x				
	376925	1572	x				
31.4957		WINDLACE ASSEMBLY					
	380840	(Leather jobs) 1502-12-72-82-92	x				
	380831	(Cloth jobs) 1522	x				
31.497		WINDLACE CLOTH 1/2" tubing 5/8" flange					
	350361	(Cloth jobs) 1505-15-85-8-95-8	x				
	350550	(Cloth jobs) 1522-5	x				
	339411	(Cloth jobs) 1532-42-50-1	x				
	350391	(Cloth jobs) 1562-70-1-5	x				
	369834	1584	x				
31.498		WINDLACE, Imitation leather 1/2" O.D. tubing 5/8" flange					
	339392	(Antique grain) (Leather jobs) 20th Sr. ...	x				
	339140	(Colonial grain) (Leather jobs) 20th Sr. ...	x				

NUMERICAL INDEX

PART NO.	INDEX NO.	PART NO.	INDEX NO.	PART NO.	INDEX NO.	PART NO.	INDEX NO.	PART NO.	INDEX NO.
GCE-3	4.0942	IA-131	4.0408	IGT-2028BS	4.0446	AC-855064	9.812	97056	15.404
GDZ-3	4.0942	SS-132	4.2045	IGT-2032A	4.0402	AC-855493	9.811	98325	13.0013
GEA-4	4.0942	SS-133	4.2059	MLA-2037	4.2061	AC-855763	9.809	98326	13.0013
IGT-111A	4.0439	GAR-171	4.0939	IGP-2054	4.0402	AC-132900	9.848	98327	13.0013
MAW-12	4.2003	SW-213	4.0430	MAW-2069	4.2039	AC-1521288	9.833	98732	5.1902
MAW-13	4.2002	X-260	4.0940	EBA-2105	4.20731	AC-1521553	9.817	98735	9.2001
MN-18	4.20782	X-261	4.2043	MAW-2128	4.2039	AC-1521953	9.840	98737	11.017
IGT-18	4.0405		4.2065	MAW-2129	4.2075	AC-1522023	9.831	98755	30.3185
MZ-19	4.2030	IGB-284	4.0452	IGC-2160	4.0402	AC-1522077	9.823	98758	30.3185
MW-20A	4.2011	IGB-293	4.0452	IG-2456	4.0450	AC-1523096	9.807	98759	30.3185
MN-21	4.0907	X-295	4.0943	MAX-3059	4.2023	AC-1523106	9.839	98764	5.05045
	4.2006	IGB-308	4.0452	VC-3060GS	4.0446	AC-1523118	9.834	98766	1.306
	4.2078	IGB-329	4.0452	VC-3060KS	4.0446	AC-1523120	9.827		3.1166
	4.0948	SP-370	4.0706	MAX-3075	4.2050	AC-1523121	9.824	98774	31.110
GBW-24C	4.0948	X-382	4.0403	IGW-3128	4.0307	AC-1523122	9.826	98776	7.2075
GCE-24	4.0925	X-390	4.2033	CE-3224ABS	4.1203	AC-1523124	9.820	98780	5.09095
GBJ-25	4.0917	SP-408	4.0706	CE-3224US	4.1203	AC-1523128	9.807	98782	5.09095
GCJ-26	4.0447	X-489	4.0947	SS-4205	4.2044	AC-1523130	9.804	98783	11.0125
IGT-28	4.2018		4.2077	SS-4025	4.2044	AC-1523131	9.805	98784	11.0125
MAT-28	4.2015	IG-514	4.0420	D-44932	13.206	AC-1523132	9.819	98795	11.0125
MAW-29	4.0407	IG-515	4.0419	D-44933	13.206	AC-1523221	9.832	100100	30.891
IGP-30L	4.0906	IG-579A	4.0404	D-113702	4.0947	AC-1523231	9.801	101200	30.8135
GEA-30	4.2014	IGP-676	4.0408	D-124546	4.2043	AC-1523259	9.821		7.0166
MAB-31	4.0938	IG-680	4.0440	D-125609	4.0947	AC-1523319	9.837		7.015
GR-32	4.0924	IG-694	4.0425	D-809062	4.0907	AC-1523650	9.810		31.2745
GBJ-32A	4.2072	8X-865	4.20781		4.2006	AC-1523655	9.823	102585	30.6220
EBA-33	4.0444	GDZ-1002A	4.0923	D-809593	4.0907	AC-1523664	9.847		4.1665
IGS-34	4.2014	GEA-1002A	4.0923		4.2006	AC-1523672	9.819	102590	30.6114
MAX-35	4.2057	IGP-1003	4.0416	D-810601	4.2015	AC-1523887	9.818		30.6675
MAX-37	4.2013	GDZ-1003	4.0941	D-810620	4.2071	AC-1523945	9.810		30.6600
MAW-37	4.2054	GCE-1003	4.0941	D-811553	4.2003	AC-1537062	9.830		30.6595
MLA-38	4.2016	GEA-1004	4.0941	D-812823	4.0915	AC-1537065	9.804		30.6370
GK-38	4.2071	GDZ-1005	4.0901	D-813521	4.2030	AC-1537066	9.802	107654	30.670
MP-41A	4.0444	GEA-1005	4.0901	D-813550	4.2023	AC-1537071	9.830	111192	5.1100
IGP-41	4.2063	GEB-1005	4.0901	D-813554	4.2002	AC-1537072	9.802	111561	15.4105
MAX-41	4.2062	GDZ-1007	4.0902	D-816340	4.0948	AC-1537186	9.835	114055	2.006
MLA-42	4.2053	GEA-1007	4.0902	D-817114	4.2074	AC-1537193	9.835	114608	14.106
MAX-42	4.2062	MAX-1007D	4.2008	D-817220	4.0925	20075	3.2315	119143	30.885
DK-45	4.2014	GDZ-1008	4.0902	D-819104	4.0938	21662	5.1222	120813	3.400
GBW-45	4.0921	MAX-1008S	4.2008	D-820445	4.0442	29627	31.492		9.200
MAX-48	4.0433	MAX-1009S	4.2008	D-820524	4.0924	29637	31.4917		12.005
IGH-53B	4.0921	MAW-1009A	4.2008	D-821522	4.2008	29640	31.4917	121265	15.103
GCE-53	4.0917	MAX-1010D	4.2008	D-821523	4.2008	29651	31.469	122611	30.851
GCE-54	4.0430	MAW-1010A	4.2008	D-821604	4.0420	29657	31.4915	126770	1.105
IGH-54	4.0434	IGS-1016B	4.0442	D-822172	4.0452	29662	31.4915		3.413
IGH-55	4.2059	IGT-1020LB	4.0432	D-824735	4.0416	29663	31.4915		5.1609
SS-56	4.2007	IGT-1020L	4.0432	D-825463	4.0404	29664	31.4915		4.1650
MAX-58	4.2048	IGT-1021L	4.0414	D-827799	13.210	29666	31.4915	126985	12.029
SS-59	4.2007	MAB-1024M	4.2074	D-903203	4.0943	31338	30.900	127808	31.4917
MAW-59	4.2049	IGT-1030C	4.0410	D-1115001	4.1203	33287	30.6111	128467	31.4915
GAR-64	4.2045	MLA-1035	4.2064	D-1115029	4.1203		4.1653	129439	5.1701
MAW-66R	4.0439	IGP-1046	4.0410	D-1116028	4.0446		30.680	132429	30.873
IGT-68	4.0435	MAX-1063	4.2076	D-1838670	4.2071		30.668	132972	30.8763
IGT-69	4.0925	GBW-1068B	4.0924	D-1847643	4.0410		30.661		30.864
GBW-69	4.2056	IGS-1100LA	4.0414	D-1855702	4.0944		30.6280		30.419
MAW-70	4.2055	IGC-1107S	4.0416	D-1863143	4.0450		30.6240		30.457
MAW-71	4.2058	SS-1128	4.2046	D-1869704	4.0307		30.6201		30.504
MAW-72	4.2060	IGC-1148	4.0410	D-1871693	4.0942	36111	4.1026		31.294
MAW-73	4.2052	PS-1167	4.2078	D-1871804	4.0923		30.6240		30.332
MAW-74	4.2071	PS-1179	4.2078	D-1877893	4.0902		30.6280		30.388
MG-77A	4.2071	EBA-1213	4.20733	D-1878077	4.2039		30.680	133264	30.866
MAW-77	4.0915	EBA-1225	4.20734	D-1878079	4.2072		4.1653		30.421
GBP-79	4.2014	EBA-1232	4.20736	D-1878177	4.0921		4.01025		30.460
MAK-80	4.2013	EBA-1233	4.20737	D-1878183	4.0917		30.6004		30.506
MAB-85	4.0445	SP-1296	4.0706	D-1878427	4.0902		30.6093		30.335
IG-90	4.0447	X-1448	4.0426	D-1879002	4.0935	43293	15.4015		30.391
VC-105	4.0439	D-1452	4.2044	D-1880642	4.2033	56973	30.6220	133339	30.870
DG-107	4.0447	D-1460	4.2044	D-1881869	4.2016		30.6114		30.422
VC-107	4.0444	MAW-2002A	4.2023	D-1882370	4.2078		30.6600		30.461
IGC-117	4.2051	GCE-2002	4.0923	D-1882392	4.0402	62759	31.494		31.333
MAW-122	4.2047	GDZ-2006F	4.0935	D-1882394	4.0431	67277	4.22086		30.336
SS-128	4.2071	GEB-2006F	4.0935	D-1882396	4.0414		4.00046		30.392
MAW-130	4.2078	GCE-2012S	4.0705	D-1882476	4.0706	70918	3.2061	136008	30.873
MAW-131		IGT-2020LS	4.0431	D-5335897	13.210	71397	4.01025	136982	5.15001
		IGT-2020LB	4.0431	AC-851644	9.806		30.6003	139150	31.4745
		IGT-2020L	4.0431	AC-854005	9.808		30.6280		

NUMERICAL INDEX (Cont'd)

PART NO.	INDEX NO.	PART NO.	INDEX NO.	PART NO.	INDEX NO.	PART NO.	INDEX NO.	PART NO.	INDEX NO.
139157	31.4745	202747	1.410	225377	4.01025	237087	15.411	245200	30.886
139158	31.4745	203905	4.23275	225465	9.400	237088	15.411	245204	30.660
139159	31.4745		4.23315	225490	9.01313	237215	3.168	245205	30.663
139466	30.818		4.2209	225505	30.6805	237402	1.0231	300021	5.1701
	30.820		4.2329	225555	18.0105	237403	1.0231	300037	5.0903
139521	11.1085	205429	5.0900	225557	18.011	237404	1.0231	300057	5.1803
141532	6.105	205454	3.2092	225565	18.012	237405	1.0231	300059	5.1804
141535	6.108	206130	30.021	225613	3.138	237407	1.0232	300063	5.1800
148842	30.451	206744	31.4745	225655	4.22105	237408	1.024	300064	5.1807
156348	31.481	207079	4.23276		30.6670	237410	1.026	300066	5.0506
156857	31.476	207246	4.0313		4.1700	237411	1.027	300069	5.01114
161787	31.473	207477	4.11001		4.02145	237412	1.028	300070	5.01115
161792	31.4745	207582	5.1557		4.06155	237413	1.026	300103	5.0803
163168	30.872	207750	3.1162	225905	13.023	237414	1.028	300129	3.413
164239	30.867		3.1497	226025	30.869	237476	19.0015		5.0900
167914	31.466		3.137	226167	31.483	237557	3.169	300150	5.1205
170400	3.160		19.118		30.842		3.154	300162	5.0600
	3.164		3.1415	228617	3.007	237673	3.400	300163	5.0601
170401	30.6492		10.0118	229255	31.174		12.001	300169	5.0801
171863	30.610	207776	3.168		10.0305	237710	1.500	300170	5.0801
172470	31.492	209171	4.13051	229261	30.867	237711	1.500	300171	5.0500
175757	31.4745		4.22085	229284	30.852	237878	1.414	300172	5.0802
176578	31.465		4.00046	229302	4.22091	237891	1.411	300175	5.0606
176593	15.404	209262	30.8545		4.00046	237893	1.409	300176	5.0605
180803	15.406	209611	4.2322	230085	11.0123	237895	1.4155	300181	5.0918
182478	4.1207		4.2324	230446	11.209	237899	1.4155		5.1203
183836	30.664	210016	5.0906	231217	19.001	237970	15.411	300190	4.0311
183962	0.03355	210120	5.0201	231291	19.041	237971	15.411	300191	5.0407
	0.0345	211171	31.487	232196	1.101	237972	15.411	300193	5.0501
183986	31.481	211809	30.945	232275	3.111	237973	15.411	300196	5.1702
184036	30.863	212713	30.6570	232276	3.133	237974	15.411	300219	4.0701
184259	30.880	213021	1.1086		3.110	237975	15.411	300221	4.0701
184260	30.880	213315	15.318	232363	7.002	237976	15.411	300226	5.1604
184268	30.881	213472	5.0908	232380	30.608	237977	15.411	300227	5.1603
184433	30.040	213480	5.0913	232774	15.4071	237978	15.411	300228	3.2092
184851	30.893	213481	5.0914	232776	15.407	237979	15.411	300229	4.0701
184852	30.893	213493	5.0936	233267	31.469	237980	15.411	300233	5.1100
184863	31.474	213505	5.0935	234526	19.000	237981	15.411	300236	3.213
184866	30.880	213518	5.0914	234541	15.2005	237982	15.411	300237	3.233
185167	13.023	213520	5.0910	234577	1.500	239142	1.412	300253	3.247
185211	31.474	213744	5.0919	234579	1.500	239407	4.0628	300278	15.5095
187356	5.1804	213745	5.0917	234729	1.5035	239453	4.1113		15.412
190021	5.1402	213746	5.0919	234734	1.200	239476	19.003	300285	3.229
190191	1.303	213866	10.0876	234839	1.201	240030	15.4081	300290	3.2282
190192	9.132	215947	5.1209	234861	1.004	240031	15.409	300295	5.11015
	9.1140	216137	5.1213	234862	1.009	240032	15.412	300305	5.1305
	9.1165	216548	15.5137	234863	1.011	240039	15.501	300414	6.108
190291	3.3085		15.0075	234865	1.012	240040	15.501	300426	4.0600
	3.116		15.2007	234869	1.016	240044	15.400	300427	5.0920
191995	1.100	216549	1.3065	234872	1.017	240485	3.114	300436	6.010
194607	30.4395		15.4065	234873	1.018	240486	1.304	300614	9.209
194732	30.034		3.106	234875	1.020	240590	19.117		9.400
	9.136	216724	1.6075	234876	1.021	240668	4.23001		30.3876
	9.014		14.006	235161	30.625		30.6090		30.5034
	9.01315	218777	11.0045	235175	30.625	240669	4.23001		30.8634
	9.020	218826	30.3010	235176	30.038		30.649		30.8706
	9.019	219312	4.1206	235177	30.039	240708	0.030		30.818
195341	31.4745	220964	30.5025	235206	30.669	240743	5.1705		30.822
195664	31.4745	221981	2.000	235255	30.833	241383	30.868		30.820
195683	31.4745	223185	6.107	235721	31.2345	241473	31.2535	300693	9.144
197130	12.0340	223889	4.06155	235770	30.030	241578	30.662		9.142
197876	30.821		4.02145	235771	30.007	241588	30.661		9.001
199045	5.1800	224537	30.019		31.2820	241589	30.668		9.0035
199167	30.8545	224548	30.017		30.4810	242077	3.3085		9.005
199952	30.863	224549	30.047		30.855	242234	13.023		9.006
200639	31.4917	224573	30.018		30.3570	242503	1.019		9.007
200737	31.483	224887	30.449	237021	15.500	242504	1.029		9.008
	30.842		30.319	237023	1.023	242505	1.029		9.009
201570	4.00046	224917	30.885	237024	1.023	243020	31.471		12.019
202056	31.031	225112	11.205	237025	1.023	243512	31.240	300729	5.1201
202221	11.0116	225262	4.1506	237026	1.023	243513	31.240	300735	3.211
202504	11.0114		4.0618	237082	15.411	243571	30.608	300820	3.218
202601	3.012	225263	4.1507	237083	15.411	243690	30.883	300844	12.020
202699	1.408	225377	30.669	237084	15.411	245197	30.457	300897	5.1602
202719	1.502		30.680	237085	15.411		30.332		
202721	1.410		30.6003	237086	15.411	245200	30.850		

NUMERICAL INDEX (Cont'd)

PART NO.	INDEX NO.	PART NO.	INDEX NO.	PART NO.	INDEX NO.	PART NO.	INDEX NO.	PART NO.	INDEX NO.
300910	3.235	302804	5.1209	303316	15.328	304834	31.316	313561	31.353
	3.488	302805	5.1214	303347	9.307	304840	31.319		31.061
	18.017	302806	5.1212	303359	4.1110	304852	5.0400	313562	31.062
	12.0161	302807	5.1202	303381	5.1401	304879	1.413	313563	31.062
300915	3.112	302868	3.488	303382	5.1401	304880	1.023	314035	30.309
	1.301		3.236	303391	5.0402	304881	1.023	314151	30.618
300937	3.212		12.0161	303392	5.0402	304884	1.0231	314537	31.226
300954	3.230		18.017	303393	5.0402	304885	1.0231	314620	30.892
300961	8.045	302877	18.015	303394	5.0402	304886	1.023	314737	31.477
300997	9.308	302882	15.319	303398	5.0204	304887	1.023	314804	30.5005
302037	5.1401	302883	15.319	303400	15.404	304888	1.026		30.382
302075	1.500	302884	15.328	303401	15.404	304890	1.028		31.2875
302077	1.500	302912	1.030	303405	18.038	304914	4.0573	314805	30.382
302121	4.06206	302914	1.0231	303407	18.0045	304962	2.009		30.5005
	4.16415	302915	1.0231	303409	18.000		2.0095		31.2875
302127	15.322	302918	1.0231	303420	4.16246		2.0050	314879	30.833
	15.101	302919	1.0231	303467	3.016	304988	3.001	314915	30.100
302134	1.6054	302944	1.127	303468	3.014	304993	3.007	314919	30.009
302137	15.321	302948	1.023	303469	3.010	305867	30.801	314926	30.308
302161	31.099	302949	1.023	303475	15.201	305880	30.801		30.445
302228	12.022	302950	1.023	303500	3.019	306130	31.4745	315039	5.1702
302229	12.018	302951	1.023	303502	3.013	306132	31.474	315047	4.1111
302230	12.021	302952	15.411	303503	3.015	306179	31.4745	315059	5.0900
302234	15.3155		15.503	303504	3.018	306188	31.477	315060	5.0907
302241	15.315	302953	15.503	303505	3.015	306199	31.4917	315061	5.0908
302243	15.314		15.411	303509	3.001	306200	31.4917	315062	5.0910
302247	15.321	302954	15.411	303563	9.0203	306236	31.481	315063	5.0916
302254	5.0101		15.403		9.017	306251	31.465	315064	5.11015
302255	15.318	302955	15.411	303591	2.000	306536	31.465	315065	5.11015
302274	15.3225		15.503		2.000	306537	31.475	315077	5.0933
302304	0.0072	302956	15.411	303623	19.112	306948	31.4745	315157	6.108
302311	5.0520		15.503	303680	15.301	307059	31.4745	315281	5.0911
302359	15.515	302957	15.503	303748	15.0075	307128	30.201	315433	5.0521
302404	0.0098		15.411	303784	4.1102	308248	30.4395	315571	3.000
	3.149	302958	15.411	303785	4.2340	308769	30.418	385617	5.0519
302440	3.000		15.503	303836	1.407	309519	12.017	315635	9.306
302441	5.0404	302959	1.0232	303837	1.407	309523	12.013	315643	9.306
302456	3.405	302964	1.026	303906	5.0902	309525	12.0162	315658	15.3235
302464	3.000	302965	1.026	303913	12.029	309841	3.328	315684	4.0007
302481	3.127	302966	1.028	303926	5.1207	309859	8.0231	315685	4.0007
302492	5.0513	302967	1.028	303927	5.1219	309958	8.0065	315686	4.0009
	1.611	302968	1.027	303928	5.1221	309987	5.0500	315703	5.0400
302495	1.0100	302969	1.027	303930	5.1208	310139	31.232	315756	15.4071
302496	1.010	302970	1.024	303938	3.217	310144	31.232	315760	1.500
302501	1.608	303002	1.020	303939	5.0304	310145	31.226	315829	1.607
302504	3.119	303003	1.011		7.103	310146	31.233	315932	6.004
	3.118	303004	1.003		7.011	310372	30.318	315942	3.115
302551	15.4105	303005	1.017		7.0166	310404	30.915	315970	6.002
302560	12.019	303006	1.018	303943	13.000	311143	31.945		6.004
302577	3.216	303007	1.002	304043	15.305	311418	31.329		6.008
302578	3.2155	303009	1.015	304059	1.100	311429	30.552	315999	5.0517
302591	3.232	303010	1.014	304123	3.2091	311430	30.416	316027	1.102
302594	5.1801	303011	1.003	304124	3.2281	311431	30.4085	316150	4.0617
302627	3.014	303018	1.016	304128	5.1800		31.315	316159	3.014
302629	3.018	303020	1.009	304265	5.0410	311439	30.406	316177	4.2326
302645	9.113	303021	1.009	304266	5.0111		30.382	316187	1.5035
302684	15.401	303023	1.005	304267	5.0800		30.5005	316188	1.504
302700	1.010	303024	1.006	304309	5.1802		31.309	316203	15.3315
302701	1.6075	303025	1.004	304315	1.000		30.859	316206	15.3317
	1.030	303026	1.012	304316	1.000		30.8752	316207	15.3316
302702	1.010	303034	9.304	304317	1.000	311459	31.328	316212	11.008
302703	1.606	303051	1.401	304413	16.005	311729	4.1329	316226	5.0515
302714	6.002	303052	1.401	304442	15.517	311793	1.021	316251	15.000
302717	1.411	303053	1.402	304465	3.007	311832	3.136	316253	15.001
302720	15.402	303058	1.414	304475	5.1800	311919	12.0005	316254	15.002
	1.411	303060	1.414	304506	15.500	311920	12.002	316255	15.003
302721	15.401	303061	1.416	304561	18.0005	311926	12.012	316256	15.003
302729	1.416	303063	1.403	304562	18.043	311935	18.017	316259	15.004
302739	15.103	303064	1.409	304599	15.5085	311990	12.0105	316260	15.004
	3.3047	303065	1.405		15.4095	311991	12.0105	316261	15.0076
	15.5137	303080	15.321	304611	15.319	311992	12.000	316262	15.006
302770	5.1900	303083	15.512	304690	1.000	312379	31.486	316293	18.0134
	5.0900	303173	19.121	304698	15.518	312380	31.486	316340	19.113
302802	5.1210		19.118	304711	9.400	312381	31.486	316398	19.108
302803	5.1200	303245	4.1328		1.606	312382	31.486	316419	3.125
		303289	4.0601	304815	1.203	312667	31.107		

NUMERICAL INDEX (Cont'd)

PART NO.	INDEX NO.	PART NO.	INDEX NO.	PART NO.	INDEX NO.	PART NO.	INDEX NO.	PART NO.	INDEX NO.
316442	6.1015	320143	15.008	324135	5.1909	325583	30.318	327328	30.100
316485	1.500		15.001	324146	1.605	325611	31.404	327381	31.054
316486	1.500	320294	4.2324	324147	12.034	325616	31.393	327517	18.016
316491	1.200	320296	1.6056	324150	1.601	325661	31.238	327602	18.005
316492	1.200	320297	1.6056	324152	1.600	325670	31.2373	327603	18.007
316565	5.0521	320363	5.0402	324153	1.603	325671	31.239	327606	18.0107
316600	1.501	320364	5.0402	324154	1.603	325675	31.236	327613	18.041
316601	1.501	320365	5.0402	324155	1.603	325677	31.2305	327638	9.2017
316643	15.000	320366	5.0402	324156	1.603	325681	31.226	327656	4.16055
316673	12.0235	320394	14.116	324171	11.013	325714	30.394	327691	18.026
316684	15.007	320456	9.109	324184	7.203	325715	30.387	327698	18.011
316756	19.0015	320457	9.109	324197	2.012	325724	7.100	327699	18.027
316777	4.0009	320517	5.1929		2.013		7.011	327700	18.027
316818	9.011	320551	5.0517	324127	1.1086	325770	7.100	327726	14.110
316858	1.010	320585	5.1910	324226	11.223	325782	11.0045	327734	9.014
316861	1.0100	320598	5.0531	324229	6.101	325791	30.015	327737	18.026
316934	19.106	320605	5.1901	324254	6.101	325810	30.352	327753	14.110
	13.000	320619	5.0531	324283	5.1401	325811	30.418	327796	11.224
316978	15.411	320625	5.1923	324284	5.0504	325818	30.376	327807	9.203
	15.503	320686	11.0122	324305	5.1204	325819	30.376	327808	11.222
316979	15.411	320727	8.027	324328	15.3100	325826	30.610	327874	13.023
	15.503	320728	8.027	324329	15.3100	325872	30.935		
316980	15.411	320747	14.106	324330	8.039	325880	31.031	327942	13.0016
	15.503	320783	4.1109	324335	15.3100	325886	30.628	327943	13.0016
316981	15.411	320888	7.002	324367	9.014	325887	30.628	327944	13.0016
	15.503	320898	31.199	324401	5.1203	325919	31.063	327954	14.110
316982	15.411	320929	5.1609	324402	5.1200	325981	31.1645	327956	5.1701
	15.503	320931	5.1610	324461	1.300	325987	30.881	327958	5.1701
316983	15.411	320932	5.1610	324463	3.113	325988	30.895	327971	4.10024
	15.503	320933	5.1602	324464	1.303	326024	30.305	328125	31.4745
316984	15.411	320934	5.1601	324486	13.000	326047	30.881	328127	31.4745
	15.503	320967	7.203	324551	5.0806	326065	30.306	328511	31.018
316985	15.411	320968	8.044	324552	5.0807	326078	30.885	328537	10.023
	15.503	320969	8.044	324609	1.1230	326079	30.885	328599	30.832
316986	15.411	320986	11.0045	324619	3.015	326135	30.861	328601	30.6845
	15.503	320987	11.0045	324621	4.0602	326142	30.854	328617	31.031
316987	15.411	323010	12.003	324661	8.013	326247	30.845	328663	30.456
	15.503	323050	14.004	324668	6.002	326304	30.314		11.108
316988	15.503	323068	18.0255	324671	4.2334	326342	30.618		30.331
	15.411	323069	18.030	324673	5.1401	326351	30.6165	328689	30.1015
316989	15.411	323070	18.029	324674	5.1401	326352	30.620	328752	30.396
	15.503	323071	18.029	324682	30.657	326493	30.1015	328753	30.396
316990	15.503	323072	18.031	324701	7.016	326494	30.1015	328788	31.393
	15.411	323132	12.036	324716	5.0403	326500	5.1607	328834	31.1645
317316	7.103	323133	12.035	324717	5.0403	326505	5.0203	328869	30.100
317350	30.814	323135	12.0315	324719	5.0403	326541	7.103	328874	30.8365
317351	30.815	323136	12.032	324720	5.0403		7.003	328875	30.8365
317352	30.814	323137	12.030	324721	5.0403	326546	7.103	328876	30.8365
317353	30.815	323140	12.034	324722	5.0403		0.0115	328968	30.433
317532	4.1106	323141	12.034	324730	5.0403		7.002	328969	30.433
317534	4.1106	323142	12.034	324731	5.0403	326564	11.206	329257	12.002
317535	4.1106	323143	12.029	324734	9.001	326568	11.2163	329266	12.0005
317537	4.1106	323148	12.034	324737	9.0035	326569	11.213	329272	12.013
317540	4.1110	323149	12.034	324759	11.303	326579	11.2163	329282	15.331
317624	5.0402	323149	12.034		0.016	326583	11.204	329310	12.002
317625	5.0402	323150	12.032		11.305		10.0266	329373	12.005
317627	5.0402	323151	12.0315		11.220	326634	8.0310	329484	12.002
317688	15.317	323152	12.030	324771	9.201	326635	8.0310	329530	3.1015
317689	15.317	323352	12.007	324772	9.205	326640	7.105	329536	19.0015
317788	5.0915	323379	12.006	324791	9.200		7.004	329599	12.021
317812	15.208	323428	12.010	324851	7.104	326706	14.008	329627	12.034
317849	3.007	323435	12.008		7.003	326755	9.309	329628	12.034
317853	3.012	323436	12.009	324926	3.000	326772	6.104	329629	12.034
317854	3.014	323469	12.007	324946	12.0295	326814	3.138	329655	12.012
317914	5.1926	323777	15.3305	324947	12.0295	326818	6.002	329898	3.1013
317976	4.0307	323803	15.331	324953	5.1706	326836	14.010	329899	3.1014
317977	4.0307	324007	3.3298	324961	12.0315	326837	5.0904	329955	3.1205
318553	30.935	324008	3.107	325119	31.4745	326860	14.000	329956	3.122
318583	30.440	324011	15.317	325148	9.106	326870	12.0161	329957	3.123
318650	31.317	324041	15.100	325195	31.474	326876	18.014	329958	3.124
318785	30.022	324051	15.103	325481	31.4745	326877	18.014	329966	3.119
318944	7.103	324059	14.106	325530	30.338	326881	18.0134	330044	9.002
319038	8.0285	324088	15.316	325531	30.404	326925	14.000	330095	3.253
319645	5.1918	324092	1.305	325540	30.308	327225	30.319	330096	3.255
319966	12.0015	324102	1.1231		30.445	327266	30.3150	330109	12.002
319993	1.605	324105	15.100	325582	30.318	327317	30.895	330142	3.264
		324108	1.1086						

NUMERICAL INDEX (Cont'd)

PART NO.	INDEX NO.	PART NO.	INDEX NO.	PART NO.	INDEX NO.	PART NO.	INDEX NO.	PART NO.	INDEX NO.
330202	3.104	333018	3.327	333667	4.0005	335189	4.0006	335722	3.306
330221	11.0045	333025	8.018	333668	4.0006	335192	9.106	335724	9.0035
330290	5.0609	333026	8.018	333688	1.605	335193	5.1912	335750	3.306
330293	3.129	333038	14.002	333694	3.402	335224	3.141	335751	3.317
330307	3.129	333074	14.009	333697	5.0607	335225	3.140	335759	7.001
330308	3.1395	333076	8.018	333715	9.001	335227	3.300	335831	5.0203
330336	3.138	333077	8.018	333722	3.404		30.915	335852	9.019
330344	9.142	333078	15.320	333723	4.2200		17.001	335853	4.14025
	3.306	333143	3.252	333728	19.001		17.003	335855	30.648
	3.3045	333145	3.3031	333751	1.019	335229	3.264	335866	3.301
	3.310	333146	3.409	333752	1.029	335261	6.005	335885	3.331
	9.001	333151	3.316	333753	1.029	335262	3.101	335888	9.006
	9.0035	333154	3.3165	333754	1.029	335269	3.103	335890	15.329
330347	3.204	333171	3.3298	333761	17.001	335270	6.005	335891	15.329
330410	15.308	333181	3.410		3.302	335273	3.100	335893	9.006
330416	15.313	333195	15.406	333783	18.013	335275	1.0005	335894	4.2201
330423	19.107	333196	15.406	333788	4.2233	335286	18.013	335897	1.022
330526	3.145	333200	1.200	333790	3.413	335290	3.135	335905	9.005
330531	31.164	333201	3.323	333792	6.100	335293	18.013	335917	3.109
330594	5.1403	333204	3.324	333802	8.017	335295	18.013	335918	3.115
330595	5.1403	333219	15.308	333809	3.215	335297	3.144	335919	3.1162
330614	14.111	333220	15.309	333813	3.234	335338	3.142	335927	3.114
330666	3.010	333269	30.707	333817	3.246	335344	3.147		1.304
330697	1.1095	333289	5.0105	333817	3.246	335346	3.203	335928	1.304
330698	1.1095	333290	3.170	333833	4.2231	335347	15.329		3.114
330751	5.0201	333291	3.170	333834	5.0200	335348	3.146	335944	3.109
330755	5.0112	333296	3.172	333837	5.1608	335355	3.148	335984	9.1165
330774	5.0903	333297	3.172	333839	5.1607	335356	3.115	337017	31.174
330775	5.0903	333301	9.106	333851	8.023	335357	3.128		30.451
330779	5.0500	333329	18.013	333865	4.14026	335380	15.333		30.320
330780	5.0901	333337	3.242	333891	1.132	335386	4.0003	337033	31.406
330800	6.107	333343	9.106	333905	15.313	335387	4.0003	337034	31.391
330801	1.609	333354	8.030	333913	1.125	335408	9.1165	337036	31.392
330802	1.610	333355	8.030	333914	1.125	335409	4.2200	337058	31.397
330807	6.107	333383	4.0008	333914	1.125	335438	3.406	337059	31.397
330868	15.4081	333426	3.485	333931	1.200	335439	13.118	337111	30.629
330869	1.100	333433	4.0008	333934	5.0518	335440	1.4155		30.666
330892	14.1051	333434	1.123	333936	9.0035	335477	4.1328	337112	30.629
330911	5.0100	333436	1.123	333941	1.501	335504	1.406	337113	30.622
330921	3.320	333437	1.123	333942	1.501	335509	3.330	337114	30.622
330922	3.3125	333439	5.1607	333945	8.033	335510	3.330	337115	30.623
330930	3.317	333440	5.1607	333976	5.0608	335511	3.330	337122	30.326
330935	3.320	333443	5.1608		6.102	335512	3.333	337123	30.326
330936	3.321	333444	5.1608	333984	4.0200	335513	3.333	337124	30.450
330937	3.322	333445	5.1608	333995	3.210	335514	3.333	337125	30.327
330950	8.022	333446	5.1608	334142	31.4745	335515	3.128	337127	30.032
330970	1.1095	333449	3.105	334155	31.4917	335529	9.0035	337252	30.327
331576	30.3010	333459	8.303	334337	31.471	335542	9.1165		30.450
	30.4380	333469	6.100	334380	31.4745	335543	9.014	337253	30.327
331591	30.504	333475	1.103	334513	5.1928	335575	9.002	337312	31.4745
	31.330	333477	6.005	334659	5.1300	335580	1.416	337369	30.312
	30.419	333478	6.005	334659	5.1300	335594	3.310	337427	30.871
	30.864	333484	6.103	334889	12.003	335597	1.405	337451	30.101
	30.388	333485	6.008	334921	12.0340	335603	3.332	337452	30.101
	30.8763		6.005	334922	12.030	335604	3.331	337453	30.101
331597	31.164	333486	6.005	334929	12.0315	335645	3.346	337482	30.894
331675	30.307		6.008	334977	19.001	335646	3.332	337483	30.894
331722	30.342	333490	6.008	334995	15.402	335652	5.1508		4.2332
331729	30.837	333528	8.023	335022	3.414	335654	3.252	337555	3.300
331741	30.100	333529	8.023	335026	15.512	335656	3.119	337569	30.328
331746	30.831	333543	3.226	335027	15.512	335657	3.347	337638	30.452
331791	31.4745	333546	3.452	335032	13.005	335660	3.331		30.032
331837	31.164	333572	3.214	335034	13.006	335663	3.2063	337639	30.624
331886	30.883	333573	3.248	335052	3.120	335665	3.3031	337647	30.024
331887	30.883	333580	3.219	335079	13.005	335666	3.306	337743	30.315
331916	7.1175		8.023	335106	19.014	335671	1.0005	337768	30.479
	7.0216	333583	5.1404	335127	3.415	335676	5.0504	337871	30.352
	7.0217	333608	30.6813	335130	3.209	335681	3.331		30.352
331921	30.624		4.23005	335131	5.1610	335682	5.1503	337945	30.418
332220	3.143	333621	8.023	335132	5.1610	335688	3.121	337946	30.100
	3.1163	333622	8.023	335133	5.1610	335692	14.000	337998	15.302
332226	3.1162	333629	3.206	335134	5.1609	335697	3.306	338023	3.3341
332241	3.131	333646	8.002	335135	5.1609	335698	5.1507	338043	1.0005
332242	3.130	333656	5.0604	335164	16.007	335699	5.1507	338054	13.023
333005	5.0100	333666	4.0005	335171	5.1927	335705	5.1508	338065	15.302
				335188	4.0005	335709	3.332	338085	15.302
						335715	15.329	338087	15.302

NUMERICAL INDEX (Cont'd)

PART NO.	INDEX NO.	PART NO.	INDEX NO.	PART NO.	INDEX NO.	PART NO.	INDEX NO.	PART NO.	INDEX NO.
338151	3.405	338524	3.4351	339428	31.4917	341592	9.1015	342082	30.814
338152	3.405	338525	3.466	339429	31.474	341593	9.113	342083	39.815
338158	4.1350	338555	3.309	339430	31.474	341594	5.0111	342122	31.254
338163	12.034	338557	5.14034	339432	31.471	341597	5.1203	342123	31.254
338164	12.034	338559	3.300	339435	31.4745	341601	5.1302	342134	30.944
338165	12.034	338560	3.300	339437	31.4745	341611	5.0801	342135	30.944
338166	14.000	338576	13.118	339528	4.13025	341612	5.0801	342137	30.945
338193	13.000	338580	9.015	339774	15.4085	341629	9.106	342145	30.022
338194	13.000	338597	4.1010		15.409	341644	5.1701	342165	30.6118
338205	3.405	338598	4.1010	340063	2.0096	341645	5.1701		30.626
338216	3.007	338599	4.1015	340110	12.029	341650	5.1200	342165	4.167
338231	3.015	338600	4.1015	341023	3.319	341651	5.1203	342207	30.332
338232	3.009	338602	4.1005	341055	1.302	341661	5.11015		30.457
338234	3.013	338603	4.1005	341056	1.302	341662	5.11015	342226	30.0006
338254	1.1086	338604	4.1006	341061	13.023	341663	5.0802	342227	30.0006
338259	1.405	338631	5.0201	341119	5.0503	341665	5.0601	342256	30.806
338262	3.109	338639	15.313	341125	5.0805	341668	5.1303	342257	30.807
338264	18.028	338645	3.436	341130	5.1800	341669	8.014	342260	30.440
338267	9.1015	338651	4.2228	341137	5.0931	341680	18.013	342278	30.032
338270	1.304	338656	18.0135	341156	2.016	341689	5.0604	342293	30.871
338273	15.511	338659	18.0135		30.6580	341691	11.013	342296	30.858
338274	15.511	338662	3.3031	341169	4.0702	341695	8.023	342331	8.039
338275	15.511	338665	3.304	341193	15.515	341696	8.023	342483	30.398
338276	15.511	338687	5.0700	341223	4.0705	341700	3.012	342486	31.254
338278	3.400	338691	4.0002	341227	4.1105	341708	18.026	342487	31.254
338318	3.210	338693	12.029	341228	16.011	341718	5.0603	342521	30.667
338321	13.023	338700	19.000	341288	5.1712	341719	5.0603	342536	30.319
338323	9.0131	338730	3.430	341310	5.1711	341730	5.0504	342537	30.449
338354	18.006	338735	4.0001	341311	5.1711	341731	5.0504	342538	30.319
338355	18.034	338736	3.300	341331	5.0101	341769	3.108	342554	30.331
338356	18.035	338752	9.138	341332	5.0101	341770	19.000	342555	30.331
338362	18.0335		9.131	341333	5.0101	341773	1.300	342558	30.456
338370	1.412		5.0930	341334	5.0101	341775	12.011	342559	30.456
338371	1.412		9.0204	341335	5.0101	341792	4.0701	342568	31.240
338401	9.016	338753	5.0930	341336	5.0101	341801	3.148	342572	31.240
338405	3.332		9.131	341337	5.0101	341805	1.123	342573	31.240
	3.306		3.162	341350	5.0200	341809	3.148	342841	30.3010
	3.3045		9.0204	341364	5.0504	341817	14.008	342860	30.4810
	9.142		9.138	341367	5.1702	341821	5.1701	342866	30.3570
	9.0035		9.0147	341369	5.1800	341873	2.000	342861	30.4810
338406	3.3085		9.1140	341404	8.038	341884	2.0005		31.365
338407	3.406	338779	13.023	341409	5.0403		8.039		31.396
338410	1.412	338798	3.454	341469	5.0403	341896	2.0015		31.395
338448	3.4295	338811	19.000	341470	5.0600	341899	2.000		31.2820
338449	3.440	338812	11.0045	341471	5.1603		2.0005	342896	30.329
338452	3.460	338817	5.0700	341477	5.1604		8.011	342900	30.326
338453	3.459	338826	3.4186	341497	4.0701	341914	8.011	342901	30.450
338456	3.458	338830	15.512	341498	4.0701	341915	8.010	342902	30.326
338457	3.437	338831	8.002	341499	5.1202	341917	4.0622	342904	30.327
338458	3.433	338833	15.100	341511	5.0806	341918	8.013	342905	30.450
338459	3.433	338835	15.106	341512	5.1926	341926	8.023		30.327
338460	3.433	338855	3.435	341523	11.305	341927	8.023		30.450
338461	3.433	338897	14.000	341542	11.300	341928	8.039	342921	30.034
338465	3.466	338909	12.018	341547	11.2002	341930	8.003	342922	30.319
338471	3.460	338916	12.021	341548	0.011	341937	8.005	342923	30.319
338472	3.432	338934	3.251		11.1005	341941	8.033	342929	30.709
338473	3.432	338985	13.000		7.0075	341942	8.033	347046	12.0015
338474	3.432	339018	31.4745		5.1207	341944	5.1703	347051	12.011
338475	3.432	339140	31.498	341551	5.1208	341945	8.014	347052	12.0315
338480	3.465	339158	31.486	341555	11.303	341948	8.043	347086	1.501
338481	3.465	339167	31.4915	341557	7.0075	341950	8.0231	347087	1.501
338482	3.465	339208	31.497		11.1005	341953	8.014	347126	14.105
338483	3.453	339233	31.471		11.2002	341965	8.014	347131	1.605
338484	3.457	339253	31.4745	341557	11.108	341966	8.014	347132	1.605
338485	3.439	339261	31.492		11.220	341967	8.001	347195	8.0315
338487	3.438	339263	31.465		11.300	341968	8.001	347196	8.0315
338488	3.484	339294	31.471		11.305	341969	8.001	347303	31.1573
338491	3.434	339386	31.465	341573	5.1214	341970	8.002	347391	12.0015
338492	3.451	339387	31.471	341575	5.0105	341971	8.002	347393	12.0015
338494	3.446	339390	31.476	341579	5.1201	341972	8.002	347412	14.117
338495	3.428	339391	31.481	341580	5.1212	341973	8.002	347414	14.119
338496	3.430	339392	31.498	341581	5.1210	341974	8.002	347423	13.002
338502	3.4352	339406	31.465	341587	5.0807	341975	8.043	347427	14.110
338511	3.464	339410	31.474	341588	5.0807	341981	1.200	347429	13.017
338514	3.456	339411	31.497	341591	5.0800	341982	1.200	347431	14.1051
338521	3.4185	339426	31.4300						
338522	3.4185								

NUMERICAL INDEX (Cont'd)

PART NO.	INDEX NO.	PART NO.	INDEX NO.	PART NO.	INDEX NO.	PART NO.	INDEX NO.	PART NO.	INDEX NO.
347432	13.007	347975	3.469	348609	5.1710	349023	30.331	349630	30.915
347433	13.007	347976	3.468	348610	5.1403	349042	30.410	349631	30.915
347444	13.0165	348014	5.0110	348611	5.1403	349043	30.410	349640	30.626
347462	13.001	348020	1.1231	348612	5.1403	349054	30.5527		
347488	4.2229	348021	1.1231	348613	5.1403		30.410		30.629
347490	4.2228	348023	1.500	348614	5.1403		30.413		30.666
347492	4.2230	348024	1.501	348615	5.1403	349055	30.410	349662	31.320
347493	4.2216	348025	1.501	348616	5.1403		31.316		
347496	4.2200	348035	5.1403	348617	5.1403		30.5527	349666	31.099
347500	3.443	348047	5.1403	348627	5.0203	349078	30.3010	349667	31.101
	4.0553	348048	15.505	348628	31.182	349126	30.705	349672	30.836
347532	3.445	348078	12.001	348629	31.183	349128	30.452	349674	30.836
	4.0555	348079	12.001	348630	5.0402		30.328	349675	30.837
347535	10.127	348083	15.5055	348631	5.0402	349171	31.326	349676	30.846
	10.127	348086	15.5084	348632	5.0402	349174	30.914	349678	30.846
347536	3.486	348090	6.002	348633	5.0402	349175	30.914	349680	30.844
	3.257	348092	9.200	348634	5.0402	349194	31.316	349681	30.843
347537	3.486	348098	3.315	348635	5.0402	349195	31.316	349682	30.843
	3.257	348109	6.002	348636	5.0402	349237	7.100	349706	31.254
347538	3.486	348110	6.103	348637	5.0402	349262	30.628	349707	31.254
	3.257	348124	6.008	348638	31.184	349276	30.386	349710	31.316
347539	10.1285	348143	5.1601	348640	15.404	349277	30.386	349711	31.316
347549	10.129	348155	15.516	348642	12.000	349285	31.176	349712	31.315
347550	3.417	348172	15.516	348643	12.0105	349293	31.167	349722	30.412
347551	3.417	348176	30.635	348644	12.0105	349298	30.803	349723	30.411
347568	3.480	348177	30.658	348645	12.0295	349299	30.800		31.318
347570	3.429	348178	30.657	348663	30.650	349304	31.394	349733	30.858
347571	3.408	348185	8.0310	348664	30.651	349338	30.628	349760	31.1080
347572	3.447	348186	8.0310	348665	8.024	349340	31.312		31.107
347573	3.448	348234	6.008	348666	8.024	349365	30.024	349782	31.098
347574	3.448	348259	14.003	348667	8.003	349370	30.344	349872	31.2535
347575	3.448	348277	9.018	348709	3.310	349371	30.940	349877	30.022
347576	3.456	348287	14.001	348739	15.200	349394	31.365	349888	31.4745
347577	3.446	348305	9.001	348745	15.207		30.3570		31.094
347579	3.437	348307	5.0916	348762	11.3033	349398	30.371	349894	30.8426
347580	3.438	348315	5.0401	348790	11.3033	349399	30.371	350359	31.471
347589	3.436	348316	5.0401		11.3033	349403	30.366	350360	31.481
347590	3.435	348317	5.0401	348792	4.10025	349422	10.03055	350361	31.497
347606	3.420	348318	5.0401	348823	5.0304	349425	30.404	350374	31.474
347607	3.427	348319	5.0401	348828	5.0509	349438	30.401	350375	31.474
347608	3.426	348320	5.0401	348832	11.3033	349439	30.401	350377	31.474
347609	3.411	348336	6.100	348833	13.119	349466	30.1004	350378	31.474
347627	5.0304	348349	15.515	348843	9.114	349467	30.1004	350379	31.474
347629	5.0304	348350	15.515	348845	11.3033	349468	30.1004	350382	31.474
347631	4.22091	348351	15.517	348846	5.0304	349470	30.1015	350391	31.497
347638	3.418	348377	14.000	348875	5.1928	349471	30.1015		31.497
347639	3.483		14.000	348883	5.0304	349480	30.4412	350395	31.480
347642	4.2224	348391	8.044	348885	5.0304		30.4412	350410	31.4609
347650	4.0554	348392	8.044	348898	30.649	349500	30.310	350411	31.4609
	3.444	348465	9.1015	348899	30.649	349501	30.310	350415	31.471
347652	3.448	348466	4.1335	348901	30.642	349504	30.354	350416	31.471
347660	3.300	348495	10.0174	348908	1.604	349505	30.354	350417	31.465
347662	3.300	348499	6.101	348911	1.601	349506	30.355	350418	31.465
347663	3.306	348503	5.0920	348915	9.008	349507	30.355	350432	31.460
347664	3.332	348526	5.0509	348916	0.0175	349508	30.380	350433	31.460
347665	3.306	348537	5.0510	348919	5.0508	349509	30.380	350434	31.460
347667	3.317	348540	8.0232	348922	5.0304	349520	30.1015	350435	31.460
347669	3.331	348549	5.0805	348924	5.0304	349521	30.1015	350490	31.475
347670	3.303	348552	19.003	348928	6.100	349529	30.708	350502	31.4595
347704	3.235	348565	5.1800	348932	5.15001	349580	31.032	350503	31.4595
347708	3.331	348566	9.114	348936	15.103	349581	31.032	350504	31.486
347709	3.332	348573	8.0245	348937	15.103	349587	31.114	350528	31.465
347716	3.462	348578	5.1400	348938	5.1509		31.113	350538	31.4465
347745	3.473	348579	5.1400	348939	5.1501	349596	30.913	350544	31.468
347746	3.421	348580	5.1400	348940	5.1502	349597	30.913	350550	31.497
347765	3.420	348581	5.1400	348941	5.1505	349600	30.344	350551	31.492
347799	12.005	348582	5.1400	348945	5.1504	349601	30.344	350560	31.471
347800	12.004	348583	5.1400	348945	5.1504	349604	30.469	350564	31.4390
347824	12.005	348588	5.1400	348952	5.1404	349605	30.469	350565	31.4390
347830	12.004	348589	5.1400	348955	5.15001	349612	30.311	350567	31.430
	12.004	348590	5.1400	348991	3.0105	349613	30.311	350568	31.430
		348591	5.1400	348992	3.0105	349614	30.311	350570	31.4556
347838	3.470	348591	5.1400	348993	3.0105	349615	30.447	350571	31.4556
347840	3.471	348592	5.1400	349000	30.942	349616	30.447	350572	31.4556
347841	3.473	348593	5.1400	349001	30.454	349617	30.447	350573	31.4615
347877	3.472	348607	5.1710	349006	30.337	349628	31.102	350574	31.4615
347935	5.1403	348608	5.1710	349022	30.331				

NUMERICAL INDEX (Cont'd)

PART NO.	INDEX NO.	PART NO.	INDEX NO.	PART NO.	INDEX NO.	PART NO.	INDEX NO.	PART NO.	INDEX NO.
350575	31.4615	351317	11.203	351757	31.180	352982	31.4615	354230	9.007
350576	31.4365	351318	11.204	351759	19.106	352984	31.4615	354235	31.177
350577	31.4615	351320	11.204	351760	19.106	352993	31.4609	354262	4.0305
350578	31.4595	351330	11.2115	351761	19.105	353149	30.419	354263	4.0305
350579	31.4595	351331	11.2115	351778	5.1720		31.330	354267	12.031
350580	31.4595	351332	11.213	351779	5.1724	353172	31.2535	354292	8.019
350581	31.4595	351333	11.213	351780	5.1718	353173	31.2535	354297	8.019
350582	31.4595	351335	11.212	351796	15.323	353179	31.2535	354310	3.210
350583	31.4595	351336	11.212	351797	19.120	353192	31.173	354310	5.1100
350616	31.4365	351337	11.215	351803	15.318	353193	31.175	354343	5.0101
350620	31.4556	351338	11.213	351804	15.318	353194	31.309	354346	5.0101
350621	31.4556	351339	11.213	351807	18.0135		30.5005	354347	5.0101
350622	31.4556	351343	13.017	351808	18.0135		30.552	354348	5.0101
350623	31.4556	351357	30.312	351809	18.0135		30.382	354349	5.0101
350634	31.4393	351357	30.448	351810	18.0135		30.406	354350	5.0101
350635	31.4393	351358	30.448	351825	5.0939		30.859	354354	5.0101
350699	30.836	351358	30.312	351829	3.005		30.8752	354406	14.109
350700	31.4595	351362	4.1651	351864	1.007	353197	31.012	354409	12.033
350701	31.4595	351376	2.007	351865	1.008	353232	30.4085	354410	12.033
350702	31.4595	351391	15.502	351867	1.0015	353263	30.0230	354411	12.033
350703	31.4595	351392	15.502	351868	1.001	353264	30.0231	354414	12.031
350704	31.4595	351393	15.502	351869	1.0015	353265	30.0231	354415	12.031
350705	31.4595	351394	15.502	351978	4.2208	353266	30.0232	354427	5.0701
350706	31.4595	351422	1.200	351984	31.180	353267	30.0233	354428	5.0701
350707	31.4595	351423	1.200	351985	31.178	353269	30.0234	354434	5.1220
350739	31.465	351472	4.2208	351991	1.108	353271	30.024	354440	1.022
351005	4.0008	351479	1.4155	351992	1.108	353279	30.0231	354443	6.1003
351020	5.0904	351480	1.500	351999	6.006	353284	31.016	354451	6.104
351021	3.102	351481	1.501	352000	31.4745	353285	30.8665	357460	7.1035
351027	4.1109	351482	1.501	352096	31.485	353285	30.849	354504	12.0341
351045	4.1106	351504	1.123	352097	31.485	353342	31.086	354505	12.0341
351046	4.1106	351509	5.1703	352140	31.485	353362	4.21088	354506	4.14015
		351510	5.1704	352141	31.485	353383	31.094	354506	4.16055
351057	1.602	351518	4.1651	352147	31.4916	353507	31.4558	354511	4.14016
351058	1.602	351531	12.029	352349	31.485	353534	31.240		4.1608
351060	5.0531	351536	5.0507	352354	31.4745	353535	31.240	354515	15.515
351072	9.2001	351537	5.0508	352382	31.485	353642	31.252	354552	30.408
351074	9.2001	351538	5.0503	352384	31.494	353645	31.252	354553	30.408
351081	4.03001	351540	5.0506	352386	31.4815	353648	31.187	354554	30.433
351083	4.2321	351548	5.1919	352440	31.474	353649	31.187	354555	30.433
351084	4.2321	351549	5.1921	352441	31.474	353691	31.250	354602	3.129
351085	13.007	351569	13.024	352442	31.474	353707	31.366	354603	3.129
351086	13.007	351575	13.024	352443	31.474	353767	31.365	354604	3.1385
351087	4.1652	351577	13.023	352444	31.474	353821	30.014	354608	3.1335
351090	5.1907	351587	3.300	352445	31.474	353822	31.358	354611	3.138
351091	5.1909	351601	19.026	352636	31.465	353823	31.358	354616	5.0609
351093	5.0902	351603	19.039	352693	31.471	353839	30.871	354620	3.138
351096	5.0939	351650	1.412	352694	31.471	354022	5.0515		7.210
351098	3.108	351651	1.400	352718	31.492	354024	5.0518		3.1395
351106	5.1929	351656	3.300	352758	31.475	354027	19.122	354687	4.0551
351127	4.0703	351658	3.300	352759	31.471	354030	19.116		3.442
351156	18.0135	351659	3.3036	352762	31.471	354031	19.115	354690	14.000
351162	14.007	351661	3.3033	352842	31.4365	354033	19.1195	354691	14.000
351163	14.007	351664	19.014	352887	31.468	354034	19.038	354696	30.6090
351166	4.07001	351665	19.026	352888	31.492	354062	19.1193		30.600
351167	30.6805	351689	14.009	352892	31.471	354063	1.400	354700	1.120
351167	4.13069	351692	8.040	352928	31.471	354065	3.3037	354701	1.121
351170	13.115	351693	8.040	352935	31.481	354067	3.3034	354702	1.121
351170	13.1214	351694	13.1001	352936	31.481	354068	3.3035	354706	5.0903
351172	13.1215	351695	13.1213	352948	31.4745	354069	3.3031	354707	5.0903
351172	13.102	351695	13.114	352956	31.430	354070	1.0015	354710	14.000
351173	13.103	351712	5.1726	352960	31.490	354080	3.3003	354716	5.14025
		351713	5.1722	352961	31.490	354081	3.3032	354717	5.14025
		351716	14.106	352963	31.471	354119	10.127	354718	5.14025
351174	13.1217	351717	5.1715	352964	31.4556	354130	1.0005	354719	5.14025
		351718	5.1711	352965	31.4615	354131	1.0015	354720	5.14025
351176	5.09345	351719	5.1711	352966	31.4365	354132	1.0005	354721	5.14025
351209	1.400	351720	5.1711	352967	31.4365	354145	4.1303	354755	5.1101
351210	1.400	351729	19.039	352968	31.4365	354146	4.1304	354757	5.1101
351211	1.400	351749	30.634	352974	31.4365	354179	15.307	354799	14.110
351213	3.300		31.173		31.4390	354183	9.1165	354810	11.3033
351254	5.0503					354184	5.1220	354811	11.3033
351256	14.000	351750	5.1706	352975	31.4365	354195	3.005	354812	11.302
351301	11.202	351751	5.0100	352976	31.4365	354196	3.009	354813	11.302
351302	11.202	351752	31.179	352977	31.4365	354205	9.005	354814	11.302
351303	11.202	351754	31.1741	352978	31.4365			354815	11.302
351315	11.203	351755	30.652	352979	31.4365				

NUMERICAL INDEX (Cont'd)

PART NO.	INDEX NO.	PART NO.	INDEX NO.	PART NO.	INDEX NO.	PART NO.	INDEX NO.	PART NO.	INDEX NO.
354816	11. 302	356367	2.0113	356755	7. 204	356959	9. 3005	357503	31. 244
354817	11. 302	356378	7. 005	356756	7. 204	356975	4. 1406	357516	31. 243
354818	11. 302	356379	7. 005	356757	7. 204	356978	4. 1021	357517	31. 244
354819	11. 302	356431	0. 0286	356761	11. 306	356980	7. 210	357520	31. 245
354820	4. 2223	356439	7. 0215	356763	0. 0345	356981	7. 210	357521	31. 245
354873	3. 1162		0. 0336	356765	4. 1029	356982	7. 210	357522	31. 246
354875	13. 023	356442	15. 3076	356766	4. 10397	356983	7. 210	357523	31. 246
354880	13. 023	356474	0. 0115	356768	4. 10394	356984	7. 210	357528	31. 245
354914	4. 13002	356475	0. 0115	356769	4. 10395	356985	7. 210	357529	31. 246
354951	8. 003	356479	5. 1916	356772	0. 0346	356986	7. 210	357530	31. 245
354954	3. 403	356481	7. 207	356773	0. 0345	356987	7. 210	357531	31. 246
354956	3. 403	356482	7. 207	356794	7. 200	356990	4. 1022	357532	31. 245
354974	14. 119	356483	7. 207	356795	7. 200	357010	30. 030	357533	31. 246
354975	14. 117	356487	0. 0175	356796	7. 200	357011	30. 030	357562	30. 352
354976	3. 486	356492	7. 207	356797	7. 200	357012	30. 030	357563	30. 352
	3. 257	356493	7. 207	356798	7. 200	357013	30. 030	357567	30. 396
354977	15. 206	356504	7. 207	356799	7. 200	357018	30. 356	357572	30. 479
354993	8. 0245	356516	6. 001	356800	7. 200	357019	30. 357	357578	30. 396
354994	8. 0245	356517	6. 001	356801	7. 200	357041	31. 396	357579	30. 396
354999	14. 105	356558	0. 0175	356802	7. 200	357150	31. 353	357582	30. 396
355020	3. 418	356570	6. 001	356803	7. 200	357158	30. 000	357582	30. 509
355029	3. 466	356577	4. 0105	356804	4. 1039	357159	30. 000	357584	30. 352
355030	3. 428	356580	6. 001	356806	4. 1026	357162	30. 356	357585	30. 352
355034	3. 4456	356581	6. 001	356807	8. 0315	357196	31. 345	357588	30. 509
355047	14. 114	356582	6. 001	356808	8. 0315	357197	31. 345	357589	30. 509
355048	3. 469	356590	8. 028	356809	4. 1025	357198	31. 345	357596	31. 308
355068	15. 406	356591	8. 028	356810	4. 1024	357199	31. 345	357601	30. 382
355069	15. 406	356592	8. 028	356822	2. 0116	357214	30. 883	357601	31. 2875
355185	3. 469	356598	0. 0287	356824	2. 0119	357220	30. 885	357601	30. 5005
355288	18. 013	356606	31. 173	356825	2. 0119	357326	31. 327	357602	31. 353
355752	18. 013	356615	0. 0347	356826	4. 10384	357344	30. 806	357603	31. 308
355785	18. 013	356619	0. 3475	356829	2. 0113	357345	30. 807	357604	30. 404
355812	3. 236	356622	7. 207	356831	4. 10385	357346	30. 806	357605	30. 404
	3. 488	356640	7. 200	356832	2. 000	357347	30. 807	357606	30. 366
356079	8. 017	356641	7. 200	356833	2. 0005	357352	30. 806	357607	30. 366
356098	30. 8365	356642	7. 200	356834	2. 001	357353	30. 807	357614	30. 489
356167	8. 024	356643	7. 200	356836	2. 0050	357358	30. 808	357615	30. 489
356168	8. 024	356644	7. 200	356836	2. 0050	357359	30. 809	357616	30. 489
356169	8. 024	356645	7. 200	356840	2. 0095	357362	30. 808	357624	30. 500
356170	8. 024	356657	3. 313	356843	2. 012	357362	30. 809	357625	30. 500
356171	8. 024	356660	7. 207	356844	2. 012	357366	30. 808	357632	30. 386
356172	8. 024	356670	0. 008	356847	2. 013	357367	30. 809	357633	30. 386
356173	8. 0315	356671	0. 008	356848	2. 013	357368	30. 808	357638	30. 502
356174	8. 0315	356672	0. 008	356849	2. 013	357369	30. 809	357639	30. 502
356193	8. 000	356673	0. 008	356851	2. 013	357400	31. 187	357725	31. 366
356194	8. 000	356674	0. 008	356852	2. 002	357401	31. 187	357725	31. 366
356195	0. 0282	356675	0. 008	356859	0. 0276	357401	31. 187	357738	30. 340
356196	0. 0282	356687	0. 016	356860	14. 1170	357413	31. 365	357738	30. 465
356220	0. 0347	356688	0. 016	356873	0. 0285	357422	7. 100	357739	30. 465
356221	0. 0347	356689	0. 016	356880	4. 1038	357432	7. 1025	357739	30. 340
356233	0. 0283	356690	0. 016	356881	8. 016	357433	7. 1026	357763	31. 358
356234	0. 0283	356691	0. 016	356882	4. 1031	357434	7. 102	357771	31. 112
356235	8. 046	356692	0. 016	356883	0. 0276	357438	31. 158	357772	31. 112
356252	8. 046	356693	0. 016	356883	0. 0276	357442	30. 395	357775	31. 113
356260	13. 120	356694	0. 016	356886	4. 1029	357443	30. 395	357777	31. 111
356267	8. 028	356702	0. 028	356887	0. 0284	357446	31. 286	357781	30. 434
356268	8. 028	356703	0. 028	356889	5. 0900	357447	31. 286	357792	31. 355
356269	8. 028	356704	8. 000	356896	4. 10396	357448	31. 286	357793	31. 391
356276	8. 046	356705	8. 000	356905	4. 1038	357449	31. 286	357794	30. 433
256279	12. 023	356710	15. 509	356905	4. 1038	357450	30. 508	357795	30. 433
356280	12. 023	356712	15. 507	356913	11. 0045	357451	30. 508	357796	30. 433
356282	12. 023	356713	15. 507	356917	5. 0600	357452	30. 508	357797	30. 433
356283	8. 028	356714	15. 508	356918	4. 14095	357453	30. 508	357830	30. 200
356284	8. 028	356715	15. 506	356919	4. 13001	357454	30. 508	357831	30. 200
356285	8. 028	356729	5. 0900	356922	7. 0015	357455	30. 508	357836	30. 301
356302	8. 000	356741	0. 028	356923	7. 0015	357461	7. 1035	357837	30. 301
356303	8. 000	356742	0. 028	356930	4. 1037	357462	30. 446	357842	31. 2745
356306	8. 046	356745	7. 204	356935	3. 005	357463	30. 446	357846	31. 2745
356310	8. 028	356747	7. 204	356938	4. 1300	357464	30. 446	357854	30. 510
356311	8. 028	356748	7. 204	356940	11. 108	357465	30. 446	357854	30. 398
356312	8. 028	356749	7. 204	356941	11. 108	357466	31. 397	357854	30. 398
356316	7. 011	356750	7. 204	356944	11. 0045	357467	31. 397	357855	30. 510
356337	12. 023	356751	7. 204	356945	7. 215	357492	7. 103	357856	30. 510
356338	8. 000	356752	7. 204	356946	7. 215	357493	7. 103	357857	30. 510
356339	8. 000	356753	7. 204	356947	7. 215	357500	31. 243	357860	30. 453
356366	8. 046	356754	7. 204	356956	7. 0106	357501	31. 244	357861	30. 453
				356957	7. 0105	357502	31. 243	357867	30. 463

NUMERICAL INDEX (Cont'd)

PART NO.	INDEX NO.	PART NO.	INDEX NO.	PART NO.	INDEX NO.	PART NO.	INDEX NO.	PART NO.	INDEX NO.
357869	30.825	358256	15.329	358794	5.0939	359116	31.115	359550	30.408
357885	7.106	358258	7.011	358797	4.133765	359117	31.112	359551	30.408
357894	31.190	358259	7.011	358798	3.137	359127	10.000	359552	30.408
358001	4.1409	358262	7.015	358809	15.501	359129	31.1967	359553	30.408
358002	11.0122	358263	7.015	358810	15.501	359220	30.833	359554	31.311
358003	11.0122	358266	7.011	358822	2.0045	359222	30.833	359555	31.311
358006	11.0111	358267	7.011	358823	2.0050	359236	30.388	359561	30.600
358012	11.303	358268	3.325	358824	2.006	359245	10.021	359562	30.600
358014	11.300	358270	3.009	358826	11.2001	359247	31.234	359586	30.628
358016	9.300	358273	0.016	358840	10.0635	359249	31.234	359591	30.201
358017	9.300	358274	0.016	358843	10.0635	359251	31.230	359592	30.480
358018	4.14065	358284	4.0600	358847	10.0635	359253	31.226	359593	30.481
358019	5.0600	358310	7.011	358850	10.0635	359254	31.237	359594	30.480
358020	5.0600	358311	7.011	358851	10.0154	359255	31.237	359595	30.481
358026	5.0603	358320	3.317	358856	10.0174	359256	31.2304	359596	30.480
358029	4.13175	358322	4.0600	358858	10.0174	359257	31.225	359597	30.481
358058	15.322	358324	4.14097	358860	10.0175	359266	30.416	359600	30.356
358068	11.305	358342	7.0135	358861	10.0175	359267	30.416	359601	30.357
358068	11.220	358343	7.0135	358881	10.0425	359284	30.433	359610	30.703
358075	30.7085	358346	7.0135		10.0645	359286	30.4161	359611	30.7015
358078	4.1312	358347	7.0135	358887	10.0546	359287	30.4161	359613	30.7021
358100	4.1407	358350	7.0135	358890	10.0546	359288	30.425	359614	30.7022
358102	4.14096	358351	7.0135	358894	10.012	359289	30.425	359618	30.709
358105	5.1700	358381	5.17015	358896	10.0155	359294	10.021	359619	30.709
358109	11.0045	358382	5.17015	358899	30.5034	359312	7.1027	359622	30.466
358110	11.0045	358383	5.17015		4.12055	359313	7.1027		30.342
358112	30.636	358426	1.119	358900	10.0546	359384	31.106	359624	31.2865
358114	30.634	358427	1.118	358909	10.0546	359385	31.106		30.5881
358115	4.1400	358429	4.01043	358918	4.1200	359417	30.418		30.395
358121	4.1300	358442	4.1200	358921	10.0614	359423	30.334	359625	7.1026
358122	4.1300	358445	4.1509	358922	10.0614	359423	30.390	359626	31.281
358127	4.1401	358458	4.0563	358923	10.0614		31.100	359627	31.282
358129	2.001		4.1509	358924	10.0614	359424	30.8764	359628	31.281
358136	4.14027		4.16505	358925	4.0102		30.334	359629	31.282
358142	7.011	358461	4.01016	358960	5.1552		30.390	359648	30.401
358145	4.1303	358465	19.006	358963	5.1555		31.100	359649	30.401
358146	4.13026	358466	19.006	358998	8.0065		30.5055	359652	30.4810
358150	11.0045	358475	4.01046	358999	8.0065		30.459		30.3570
358156	10.125	358492	14.110	359000	30.449	359425	30.8763	359653	30.3570
358157	10.1250	358493	7.212	359001	30.449		30.504		30.4810
358158	10.1251	358495	4.01017	359002	30.449		30.388	359654	30.3570
358159	30.635	358523	10.0105	359003	30.449	359444	30.855	359655	31.104
358161	4.13065	358556	5.14034	359004	31.3110	359455	30.622	359656	30.438
358162	13.1001	358576	10.004	359005	31.3110	359456	30.623	359658	31.098
358163	13.1001	358585	3.314	359006	31.320	359457	30.625	359659	31.098
358164	4.1304	358599	19.006	359007	31.326	359464	30.509	359662	30.381
358168	5.1102	358600	19.006	359010	31.324	359465	30.509	359663	30.381
358169	5.1102	358623	4.0003	359011	31.3252	359468	30.396	359666	31.305
358170	14.002	358624	4.0003		30.413	359469	30.396	359667	31.306
358173	1.602	358626	10.0106	359012	31.320	359478	30.407	359668	31.305
358174	1.602	358633	7.0135	359013	7.1035	359479	30.407	359669	31.306
358175	1.602		11.0105	359014	30.418	359482	30.509	359670	30.382
358176	1.604		11.108	359015	30.418	359483	30.509	359671	30.383
358177	1.604	358641	10.088	359022	31.329	359492	30.037	359673	30.855
358178	1.604	358660	5.1706	359023	31.329	359493	30.037	359675	31.114
358180	5.0504	358662	5.14034	359024	31.310	359495	30.310	359680	7.1088
358184	5.1708	358663	5.14034	359035	31.314	359498	30.407	359681	7.1088
358188	5.1707	358669	0.0156	359037	31.334	359499	30.407	359682	7.1088
358189	15.321	358671	8.001	359038	31.190	359503	30.946	359683	7.1088
358190	5.1700	358672	8.001	359039	31.190	359505	30.941	359684	7.1083
358192	2.006	358673	8.017	359040	30.825	359508	30.941	359685	7.1083
358196	5.1700	358675	10.087	359048	31.164	359509	30.941	359686	7.1085
358208	2.006	358681	10.001	359053	30.87645	359510	30.941	359724	31.000
358209	2.006	358695	10.087		30.506	359516	30.941	359726	31.094
358215	2.0050	358696	4.15056	359057	30.900	359518	30.940	359730	31.116
358224	5.1700	358706	4.1505	359060	30.413	359520	30.908	359732	31.116
358228	7.009	358707	4.15025	359061	30.413	359521	30.908	359733	31.116
358229	7.009	358712	2.0095	359093	30.034	359522	30.900	359736	30.434
358233	9.400	358761	11.207	359095	30.034	359523	30.908	359737	30.434
358234	9.400	358764	5.0909	359096	30.413	359528	30.908	359738	10.028
358235	9.400	358788	15.3221	359097	30.413	359532	30.908	359739	10.036
358236	9.400	358789	15.3221	359098	30.413	359534	30.900	359740	30.401
358237	9.400	358790	15.3223	359099	30.413	359535	30.900	359741	30.401
358238	9.400	358791	15.3222	359110	30.431	359544	30.908	359742	30.401
358239	9.400	358792	5.0939	359111	30.431	359546	30.908	359743	30.401
358245	4.1301	358793	5.0939	359115	31.111	359547	30.900	359751	31.195

NUMERICAL INDEX (Cont'd)

PART NO.	INDEX NO.	PART NO.	INDEX NO.	PART NO.	INDEX NO.	PART NO.	INDEX NO.	PART NO.	INDEX NO.
359752	31.1964	360326	3.223	362115	0.007	362390	4.1600	362653	3.128
359772	31.3905	360327	3.260	362116	0.007	362396	4.1611	362660	14.1015
359775	30.034	360331	3.222	362117	0.007	362397	4.1611	362661	14.1015
359776	30.034	360358	3.300	362118	0.007	362398	4.1620	362662	14.1015
359779	10.03055	360360	3.306	362119	4.11075	362399	4.1623	362663	14.1015
359780	10.032	360363	3.306	362140	0.0086	362400	4.1620	362664	14.1015
359781	31.1955	360364	3.300	362146	2.0050	362402	4.1622	362665	14.1015
359782	31.3455	360370	3.332	362148	2.0050	362403	4.1623	362666	13.0165
359783	31.3455	360372	3.330	362156	2.0005	362461	4.0557	362667	13.017
359784	31.348	360373	3.300	362157	2.000	362461	4.22035	362668	13.0165
359785	31.348	360374	3.331	362163	4.1600	362471	30.2015	362669	13.017
359786	31.3455	360377	3.331	362164	4.1600	362472	30.2015	362714	4.1038
359787	31.3455	360381	3.306	362165	4.1600	362473	4.21086	362715	3.129
359802	30.933	360386	3.3045	362166	4.1600	362488	19.000	362716	3.128
359803	30.933	360387	3.306	362167	4.1600	362500	5.0203	362717	4.1022
359810	10.0264	360390	3.332	362168	4.1600	362501	5.0203	362719	4.1022
359811	10.0267	360395	12.018	362170	4.1600	362502	5.0203	362724	3.109
359812	10.0265	360397	12.019	362172	2.008	362503	5.0203	362730	7.015
359813	10.0266	360399	12.004	362175	2.102	362506	5.0203	362731	3.116
359814	10.023	360401	12.035	362176	2.012	362507	5.0203	362732	3.116
359815	30.614	360403	12.036	362177	2.001	362508	5.0203	362738	11.015
359816	30.616	360405	12.020	362178	2.001	362515	14.100	362739	11.015
359817	30.612	360410	3.4631	362192	11.202	362516	14.100	362742	7.021
359818	30.613	360415	3.250	362193	11.202	362517	14.100	362743	7.021
359825	30.009	360417	3.328	362194	11.202	362520	4.16025	362744	7.021
359834	31.107	360419	3.329	362195	11.202	362521	4.1622	362745	7.021
359835	31.107	360425	3.328	362196	11.202	362522	4.16245	362746	7.021
359839	30.013	360426	3.329	362197	11.202	362523	4.16246	362758	4.1031
359844	31.195	360427	3.251	362204	11.203	362524	4.1623	362766	4.03001
359845	31.1964	360430	3.224	362205	11.203	362525	4.1625	362792	15.3102
359855	10.000	360432	3.3465	362206	11.204	362527	4.1611	362793	15.3101
359858	30.001		3.348	362207	11.204	362528	4.1611	362808	15.3100
359862	10.022	360436	3.240	362210	15.306	362532	4.1625	362810	15.3100
359863	10.022	360448	3.203	362211	11.209	362533	4.16005	362811	15.3100
359872	10.022	360449	3.4015	362212	11.209	362534	4.16006	362812	15.3100
359873	10.022	361671	4.1602	362214	11.208	362535	4.16005	362813	5.0903
359882	10.0445	361756	30.0255	362215	11.2115	362536	4.16005	362814	15.303
359883	10.0445	361936	31.492	362216	11.2163	362537	4.16006	362818	10.128
359886	10.0445	361943	31.476	362217	11.2163	362538	4.16006	372821	3.427
359887	10.0445	361946	31.466	362218	11.2165		4.16006	362823	14.000
359888	10.0445	361947	31.475	362219	11.2166	362539	4.16005	362825	11.0113
359889	10.0445	362010	5.0408	362221	11.2195	362540	4.16005	362835	2.000
359890	30.013	362011	4.13051	362231	2.000	362541	4.16006	362836	2.006
359891	30.7045	362012	4.13051	362232	2.0095	362542	4.1629	362837	9.013
359893	30.605	362013	5.0403	362233	15.303	362546	4.02106	362838	9.012
359894	30.604	362018	11.0105	362247	11.0085	362546	0.0085	362839	3.404
359895	10.028	362019	11.0105	362248	11.0085	362570	4.1622	362849	5.1700
359899	4.0200	362022	11.0105	362254	2.0117	362571	4.1623	362850	2.000
359900	4.0200	362023	11.0105	362257	9.1015	362578	5.14034	362858	4.0703
359901	4.0200	362025	8.033	362259	15.3002	362583	5.14034	362861	4.07001
359906	30.706	362026	8.033	362272	4.1601	362584	5.14034	362862	4.1646
359914	31.1965	362027	5.1922	362274	15.3076	362585	5.14034	362863	5.0512
359915	31.1966	362028	5.1930	362285	2.0095	362586	5.14034	362865	7.019
359916	31.195	362030	5.1930	362289	4.1205	362587	5.14034	362866	4.1800
359919	31.197	362031	11.108	362293	4.0616	362588	5.14034	362869	5.0112
359921	4.02025	362034	5.0400	362301	1.1087	362589	5.14034	362875	4.1642
359942	30.7016	362037	7.011	362322	11.015	362590	7.015	362887	8.028
359951	31.197	362038	13.005	362326	13.024	362593	7.015	362890	15.303
359956	31.009	362039	7.212	362327	15.3002	362596	5.1552	362891	8.027
359959	31.1075	362041	2.012	362328	15.3002	362605	7.211	362892	8.027
359961	31.038	362042	2.012	362333	4.1601	362607	7.015	362905	10.0105
359967	31.015	362049	7.011	362334	4.1601	362608	4.1602	362907	10.004
359968	31.015	362052	5.1900	362338	7.208	362609	4.1602	362909	10.001
359970	31.085	362059	8.000	362339	7.2085	362610	4.1602	362913	10.088
359971	31.085	362060	8.000	362345	4.02108	362611	4.1602	362914	10.012
359972	31.0563	362068	15.3295	362346	4.02107	362620	4.1608	362915	10.012
359973	31.0563	362075	15.3296	362347	10.1245		30.643	362915	10.012
359974	31.0562	362083	4.1509	362349	4.1601	362631	8.001	362922	10.0635
359975	31.0562	362084	4.0562	362356	9.013	362639	4.02105	362923	10.0635
359978	31.085	362085	5.1900	362357	11.0115	362640	3.116	362924	10.0635
359979	31.085	362086	1.600	362370	8.000	362641	3.116	362925	10.0635
359984	30.003	362087	1.601	362371	8.000	362643	4.10384	362927	10.0635
359988	30.009	362089	19.002	362386	4.1602	362644	3.129	362928	10.0635
359989	30.009	362091	5.1100	362387	4.1602	362650	10.0614	362929	10.0635
360313	3.249	362105	4.2325	362388	4.1602	362651	3.127	362930	10.0635
360324	3.262	362113	4.2333	362389	4.1602	362652	4.01025	362931	10.0425

NUMERICAL INDEX (Cont'd)

PART NO.	INDEX NO.	PART NO.	INDEX NO.	PART NO.	INDEX NO.	PART NO.	INDEX NO.	PART NO.	INDEX NO.
362932	10.0645	363331	30.334	363712	30.5077	363940	30.820	364302	0.0281
	10.0425		30.390		30.3938	363947	31.158	364308	0.0334
362933	10.0173	363333	30.390	363713	30.5075	363948	30.681	364309	0.0334
362935	10.0173		30.334		30.3936	363949	30.8704	364310	0.0334
362956	10.012	363334	10.0445	363714	30.822		30.5072	364311	0.0334
362958	10.012	363335	10.0445	363715	30.5034		30.393	364319	7.214
362959	10.001	363338	10.0445	363716	30.818	363958	31.012		7.207
362960	10.004	363339	10.0445	363717	30.861	363959	31.053	364320	7.214
362962	10.012	363340	10.022	363719	30.861	363968	31.106	364327	0.0334
362963	10.0173	363341	10.022	363720	30.022	363975	30.8633	364327	31.2745
362984	10.088	363348	10.022	363723	30.4205	363986	30.0061		30.301
362985	10.0105	363349	10.022	363724	30.4205	363987	30.0061		30.200
363002	31.039	363354	10.0445	363767	30.626	363991	31.009		30.438
363003	31.039	363355	10.0445	363772	31.305	363992	31.015	364336	0.030
363004	31.050	363358	10.022	363773	31.306	363998	31.056		0.0336
363005	31.039	363359	10.022	363783	30.007	364020	8.030	364337	5.0513
363006	31.0513	363366	30.419	363784	30.454	364021	8.028	364353	4.1513
363007	31.0513	363370	30.334	363785	30.007	364022	8.028	364354	4.1513
363008	31.0513		30.390	363786	30.011	364023	8.028	364356	4.1513
363012	30.841		31.100	363788	30.011	364027	11.0112	364383	4.01041
363013	30.841	363372	30.388	363793	10.000	364028	11.0112	364384	4.01041
363032	10.021	363380	30.388	363795	10.000	364029	11.0112	364386	4.01041
363033	10.021	363382	30.388	363796	10.000	364030	11.0112	364391	5.1710
363035	31.1955	363399	30.9313	363797	10.000	364031	4.15024	364392	4.0105
363043	31.0525	363456	30.356	363799	10.000	364054	8.030	364396	4.0104
363070	30.004	363457	30.357	363801	10.000	364055	8.030	364397	4.0104
363071	30.004	363510	31.281	363802	10.000	364056	8.030	364399	4.0104
363075	31.395	363511	31.282	363803	10.000	364057	8.030	364403	5.0513
363076	31.167	363531	31.365	363821	30.662	364058	4.2203	364408	4.01042
363077	7.1027	363534	31.395	363822	30.662	364059	4.0558	364432	4.13376
363082	30.003	363537	31.396	363823	30.662		4.2203	364436	4.1001
363083	30.003	363546	30.030	363828	30.011		4.2203	364438	10.0614
363086	30.841	363547	30.030	363829	30.007	364054	15.309	364439	10.0614
363090	30.837	363562	10.022	363830	31.394	364081	0.0275	364440	10.0614
363091	30.834	363563	10.022	363831	30.4205	364082	0.0275	364441	10.0614
363092	30.836	363594	30.50325	363838	30.419	364121	0.0275	364442	10.0614
363101	30.6673	363595	30.50325	363850	30.8704	364140	30.683	364443	10.0614
363114	30.434	363596	30.3873	363851	30.393	364143	30.682	364444	10.0614
363115	30.434	363597	30.3873	363852	30.5072	364147	4.07001	364445	10.0614
363121	30.1035	363598	30.419	363853	30.8704	364153	15.4065	364446	10.1245
363126	30.6131	363605	31.234	363864	30.818	364154	4.07025	364447	10.1245
363127	30.319	363609	30.388	363865	30.818	364158	15.309	364449	30.6812
363128	30.319	363618	31.105	363870	30.502	364167	15.3076	364450	18.013
363129	30.319	363630	7.1027		30.386	364168	15.3076	364451	18.013
363133	31.244	363631	7.1027	363872	30.820	364169	15.309	364452	18.013
363138	30.8415	363636	30.872	363874	30.5072	364191	3.314	364453	18.013
363139	7.100	363637	30.8722		30.3935	364193	3.314	364454	18.013
363142	30.9274	363640	31.1893	363875	30.3876	364202	3.311	364455	18.013
363143	30.9276	363641	31.1893	363876	30.863	364203	3.311	364471	3.3295
363144	30.927	363643	30.100	363877	30.863	364204	15.3002	364472	3.3295
363145	30.927	363646	30.3873	383878	30.3877	364205	15.3002	364477	16.0032
363159	30.837	363647	30.3873		30.5035	364208	15.3002	364478	16.0032
363207	31.031	363648	30.5025		30.681	364209	15.3002	364479	16.0042
363212	31.054	363649	30.5025	383879	30.3937	364212	15.3002	364480	16.0042
363214	30.9277	363651	30.819		30.5076	364213	15.3002	364491	4.03001
363215	30.9273	363656	30.8633	363883	30.5032	364214	15.303	364497	4.1016
363216	7.100	363658	31.046		30.8632	364215	15.303	364510	3.325
363221	31.0565	363659	31.046		30.3872	364220	10.1245	364511	3.325
363254	31.031	363661	31.1893	363888	30.5026	364238	7.207	364512	3.325
363268	31.105	363675	31.1955	363889	30.5026	364239	7.207	364513	3.325
363284	31.406	363690	30.5027	363890	30.822	364240	7.207	364514	3.325
363299	31.319	363691	30.5027	363891	30.822	364241	7.207	364515	3.325
363300	30.940	363694	30.8633	363892	30.8706	364242	7.207	364516	3.334
363301	30.940	363695	30.8633	363899	30.684	364251	14.1025	364521	8.046
363306	30.940	363700	4.0200	363909	30.8706	364256	0.0335	364522	3.3291
363307	30.940	363702	4.0200	363910	30.8634	364257	0.0335		3.3255
363308	30.940	363703	31.016	363911	30.8634	364269	11.0123	364524	3.325
363309	30.940	363704	30.50325	363919	30.820	364280	30.681	364525	3.325
363310	30.940		30.3874	363920	30.8634	364286	7.207	364526	3.325
363311	30.940	363705	30.6851	363922	30.822	364287	7.207	364530	30.680
363314	30.900	363706	30.382	363923	30.822	364288	7.207	364548	4.13003
363315	30.900	363707	30.383	363924	31.158	364289	7.207	364549	7.211
363320	30.706	363708	30.500	363926	30.818	364290	7.213	364550	7.211
363322	30.706	363709	30.500	363927	30.818	364291	7.213	364553	6.103
363330	30.334	363710	30.3865	363928	30.818	364292	7.213	364554	6.103
	30.390	363711	30.3865	363929	30.818	364293	7.213	364555	6.103

NUMERICAL INDEX (Cont'd)

PART NO.	INDEX NO.	PART NO.	INDEX NO.	PART NO.	INDEX NO.	PART NO.	INDEX NO.	PART NO.	INDEX NO.
364557	3.311	364756	8.046	365415	30.85235	366320	7.117	366619	4.12055
364571	8.028	364782	3.441	365417	30.8524	366321	30.2015	366652	7.108
364572	8.028	364812	4.0603	365429	31.1505	366323	30.323	366653	7.108
364573	8.000	364813	4.0603	365468	30.489		30.393	366663	30.8135
364574	8.000	364814	4.0603	365513	30.6597	366325	31.2745	366671	31.294
364757	8.000	364815	4.0603	365572	30.492	366326	31.27461		30.504
364576	8.028	364816	4.0603	365573	30.492		31.2745		30.388
364577	8.028	364819	4.0614	365588	30.9185		30.200	366672	30.388
364578	8.028	364820	4.0614	365623	30.8905	366329	31.391		30.504
364579	8.028	364821	4.0614	365631	31.2304	366332	7.101		31.244
364580	8.030	364822	4.0614	365991	31.492	366335	7.1023	366677	30.5055
364581	8.030	364824	4.0614	365992	31.492	366336	31.032		31.297
364582	8.030	364826	4.0621	365998	31.4523	366337	31.033		30.334
364583	8.030	364827	4.0621	366062	31.2745	366354	30.5005		30.390
364591	30.6882	364833	10.0915	366063	31.2745		30.859		30.459
364595	30.6884	364838	10.0915	366069	31.2746		30.382	366678	30.459
364604	6.1035	364852	30.6812	366070	31.2745	366355	30.382		30.390
364608	7.207	364854	18.042	366071	31.2745		30.406		30.334
364610	18.013	364855	18.032	366073	31.105		30.859		31.297
364615	7.207	364856	18.0135	366078	30.680		31.309		30.5055
364616	7.200	364857	18.0135	366079	30.680		30.5005	366736	31.300
364617	7.200	364858	18.0135	366081	30.680	366422	31.025	366784	31.254
364618	14.100	364860	18.0135	366082	30.680	366423	31.025	366785	31.254
364620	13.000	364861	18.0135	366083	30.680	366424	31.074	366796	30.398
364621	13.000	364862	18.0108	366084	30.680	366425	31.074	366797	30.398
364624	13.000	364864	8.046	366085	30.680	366428	30.1015	366879	31.365
364625	13.000	364872	7.209	366086	30.680	366429	31.10415	366882	30.356
364626	13.000	364874	7.209	366087	30.680	366442	30.3570	366883	30.357
364627	13.000	364875	7.209	366092	30.030		30.4810	366890	31.281
364629	8.010	364876	7.209	366093	30.030	366444	31.029	366891	31.282
364630	13.001	364877	18.0134	366120	30.025	366445	31.029	366895	31.252
364631	13.001	364881	9.302	366121	30.025	366450	31.231	366918	30.814
364632	13.001	364882	30.6814	366122	30.025	366451	31.226	366919	30.815
364633	13.001	364886	30.681	366134	7.100	366453	31.235	366958	31.250
364634	13.001	364895	0.0276	366147	30.5101	366456	31.235	366962	7.100
364637	13.000	364904	10.100	366163	30.0255	366458	31.235	367002	3.416
364638	13.000	364905	10.100	366166	30.025	366476	30.6113	367003	3.416
364639	9.2035	364907	10.100	366167	30.025	366477	30.628	367012	4.1650
364640	9.2035	364908	10.100	366172	30.0255	366478	30.6113	367013	4.1653
364641	9.2035	364909	10.100	366173	30.0255		31.252	367017	17.003
364642	9.2035	364910	10.100	366179	4.02025	366480	30.601	367018	17.003
364643	9.2036	364927	3.4045	366194	10.000	366482	30.61125	367019	17.003
364647	13.001	364928	3.4045	366195	10.000	366483	30.600	367020	17.001
364660	14.100	364930	3.4045	366198	30.913	366484	30.601	367021	17.001
364663	14.100	364937	30.685	366199	30.913	366487	30.600	367022	17.0044
364664	9.209	364944	3.404	366200	30.914	366489	30.601	367023	17.0046
364666	18.0135	364945	3.404	366201	30.680	366490	30.601	367024	2.0005
364667	18.0135	364946	3.404	366202	30.680	366492	30.600	367026	2.0113
364668	18.045	364947	3.404	366204	30.680	366493	30.601	367043	4.0207
364670	18.044	364948	3.404	366205	30.680	366494	30.601	367044	4.0201
364671	18.047	364949	3.404	366206	30.680	366495	30.601	367045	4.0202
364672	18.046	364950	9.300	366207	30.680	366496	30.600	367046	4.02051
364673	18.0055	364951	9.3005	366210	30.680	366498	30.600	367047	4.02095
364674	18.048	364966	30.680	366213	30.680	366501	30.600	367048	4.02095
364675	18.0056	364967	30.680	366214	30.680	366502	30.600	367051	10.100
364676	18.0056	364968	30.689	366215	30.680	366504	30.628	367052	10.100
364678	9.200	364969	30.680	366220	31.394	366510	7.1088	367054	10.100
364685	30.6570	364970	30.680	366221	31.394	366511	7.1088	367055	10.100
364686	30.6570	364971	30.689	366232	30.341	366512	30.6116	367056	10.100
364687	30.6570	364972	4.1010	366233	30.319	366513	30.6116	367057	10.100
364688	30.657	364973	4.1010		30.308	366516	30.601	367060	5.0405
364689	9.2035	364974	4.1010		30.449	366521	30.6119	367084	4.07001
364690	9.2035	364975	4.1005	366236	30.418		30.629	367085	4.0703
364693	9.400	364976	4.1015	366237	30.418	366522	30.915	367086	3.478
364694	9.400	364978	4.1011	366240	30.823	366523	30.833	367095	17.0125
364702	30.657	364985	30.680	366241	30.026	366530	30.024	367100	5.0900
364713	9.400	364986	3.463	366250	31.0553	366535	31.116	367105	6.001
	30.820	364987	3.4631	366251	31.0553	366538	31.2745	367109	2.009
364714	30.6815	364989	4.0305	366252	31.0556	366539	31.27461	367114	3.256
364720	9.3055	365120	30.8905	366253	31.0556	366558	30.0006		3.485
364724	2.0015	365135	31.2283	366289	30.4213	366596	30.680	367119	7.214
	7.207	365333	30.8751		31.3313	366598	30.100		7.207
364725	13.001	365393	30.87598	366300	31.406	366601	30.1015	367120	4.0552
364731	30.6812	365394	30.87595	366304	31.3906	366607	30.6003	367121	9.007
364748	5.0920	365400	30.022	366316	31.202	366619	4.2334	367127	11.0135
364755	0.0345	365401	30.852	366317	31.202		4.2321	367128	3.230

NUMERICAL INDEX (Cont'd)

PART NO.	INDEX NO.	PART NO.	INDEX NO.	PART NO.	INDEX NO.	PART NO.	INDEX NO.	PART NO.	INDEX NO.
367146	5.14038	367334	3.1496	367709	14.008	369019	30.87593	369901	31.4534
367147	5.14038	367338	9.102	367721	14.100	369032	30.8754	369902	31.4623
365148	5.14038	367389	11.108	367723	14.100	369042	30.8903	369903	31.4623
367158	5.14038	367394	16.003	367726	14.100	369046	30.8525	369904	31.4534
367159	5.14038	367398	4.1337	367727	14.1015	369054	30.4916	369905	31.4613
367160	5.14038	367399	4.1337	367728	14.1015	369056	30.500	369906	31.4613
367164	3.202	367401	4.1337	367740	14.000	369057	30.500	369911	30.908
367165	10.127	367403	13.000	367752	15.5132	369058	10.0268	369913	30.941
367168	11.0045	367404	13.000	367754	15.5135	369064	31.1505	369914	30.940
367174	9.2036	367411	3.138	367757	15.5135	369065	30.657	369915	30.883
367177	3.1492	367470	9.143	367760	15.5136	369068	31.1507	369918	30.004
367180	11.0045	367478	9.128	367761	15.4081	369094	30.947	369978	31.4363
367181	8.007	367485	3.1405	367773	16.0025	369095	30.947	369979	31.4363
367182	3.231	367388	9.134	367777	4.12003	369111	30.600	370022	31.240
367183	3.2315	367491	7.015	367785	4.1001	369116	30.628	370023	31.240
367190	0.016	367492	5.0603	367786	4.1001	369119	30.624	370041	30.489
367191	0.016	367494	8.0075	367792	4.1200	369163	30.6570	370048	31.1677
367197	9.406	367496	3.159	367793	4.1200	369170	30.3429	370049	7.0002
367202	8.0315	367510	18.0135	367795	4.0600		30.4679	370052	31.4615
367203	8.0315	367511	13.024	367796	9.125	369171	30.622	370078	30.510
367204	8.016	367514	13.024	367797	9.125	369180	30.8753	370079	30.510
367217	17.0126	367517	13.024	367810	5.0402	369181	30.8753	370162	30.495
367219	3.140	367518	13.024	367811	5.0402	369185	30.4916	370163	30.495
367220	3.140	367519	13.024	367812	5.0402	369186	30.509	370164	30.375
367222	8.019	367520	13.024	367813	5.0402	369187	30.509	370165	30.375
367223	8.019	367522	13.023	367820	19.000	369227	30.8757	370166	30.404
367225	17.0095	367523	13.023	367833	4.1205	369230	30.858	370168	31.404
367226	17.0095	367524	13.023	367834	4.1205	369231	30.858	370169	31.406
367227	17.001	367526	13.023	367836	8.0305	369247	30.634	370178	30.833
367231	9.132	367527	13.023	367837	8.0305	369272	30.8758	370184	30.332
367234	17.0045	367528	3.159	367838	5.1302	369273	30.8758		30.457
367235	17.0047	367531	3.159	367839	5.1301	369279	30.87585	370186	30.301
367254	9.130	367539	3.346	367843	4.1205	369281	30.8759	370187	30.301
367255	3.163	367540	4.0571	367844	4.1205	369282	30.8759	370188	30.438
367256	9.130	367541	4.0573	367845	4.1200	369284	30.87596	370189	30.438
367257	3.129	367543	3.159	367846	4.1200	369285	30.87596	370190	31.2745
367258	3.128	367549	3.306	367863	4.1311	369305	30.87596	370191	31.2745
367259	9.144	367550	3.305	367871	4.10026	369320	30.626	370196	31.366
367260	3.1407	367551	4.0570	367875	1.302	369327	30.8762	370198	31.164
367261	3.1407	367563	4.0574	367881	5.1608	369334	31.353	370199	31.1652
367262	9.130	367567	4.0570	367882	5.1608	369335	31.358	370204	30.352
367266	9.007	367574	4.0570	367883	5.1607	369340	30.871	370205	30.352
367269	9.143	367576	3.2061	367884	3.479	369347	30.449	370209	31.239
367272	8.017	367579	3.252	367901	8.023	369348	30.8527	370268	10.021
367273	4.0572	367580	1.400	367902	8.023	369351	30.456	370270	30.386
367275	3.1406	367582	1.412	367903	4.1001	369352	30.456	370271	30.386
367277	3.161	367590	3.401	367904	4.1001	369362	30.382	370272	30.502
367280	9.142	367593	4.1111	367905	4.1000	369363	30.382	370273	30.502
367281	9.142	367606	10.100	367909	4.1001	369368	30.6596	370274	30.401
367283	9.135	367607	10.100	367910	4.1001	369371	30.366	370275	30.401
367286	9.136	367609	4.1200	367915	4.1016	369374	30.371	370276	30.550
367287	17.0005	367619	9.0005	367920	4.1002	369375	30.371	370277	30.550
367295	3.1492	367629	15.4095	367923	5.1305	369376	30.370	370278	30.319
367297	3.1496	367630	6.106	367924	4.1102	369377	30.370	370280	30.449
367299	2.0097	367634	5.0503	367925	4.2340	369389	30.871	370281	30.449
367301	9.132	367636	5.0503	367935	8.0310	369416	31.250	370313	31.166
367303	9.132	367637	9.0005	367936	8.0310	369418	30.806	370330	7.0051
	9.0145	367638	3.306	367937	8.046	369419	30.807	370331	7.0051
	9.0203	367639	3.305	367947	4.1611	369426	30.0235	370377	30.927
367304	3.1497	367640	3.306	367948	4.1611	369434	31.397	370378	30.4957
367305	3.1493	367641	3.305	367953	1.123	369435	31.397		30.377
367309	3.140	367642	5.0920	367955	30.689	369455	30.880	370381	30.3047
367312	9.141	367643	5.0920	367961	14.100	369456	30.880		30.4412
	9.0205	367644	5.0920	367963	1.6025	369457	30.880	370386	30.4412
367313	9.135	367661	5.1100	367967	1.603	369491	31.400		30.3048
367315	3.1165	367667	4.1111	367968	1.604	369496	4.166	370390	31.254
367316	3.1365	367674	15.4071	367984	4.1106	369536	31.245	370391	31.254
367319	3.166	367675	15.4072	367987	4.2340	369537	31.246	370396	30.551
367322	2.013	367679	3.4455	367988	4.2340	369547	10.0269	370400	30.433
367323	2.013	367680	15.4115	367989	3.103	369551	30.366	370401	30.433
367324	3.166	367681	15.4045	367993	4.1205	369669	30.87594	370402	30.560
367327	2.0097	367682	3.306	367995	4.1102	369699	30.9185	370403	30.560
367328	2.000	367683	3.305	367996	4.1102	369765	31.492	370405	30.3043
367329	3.1405	367695	3.347	369012	7.100	369834	31.497	370406	30.3045
367330	3.166	367696	3.306	369013	7.100	369870	31.4623	370412	0.0096
367333	3.1496	367697	3.305	369018	30.87593	369900	31.4534	370413	0.0096

NUMERICAL INDEX (Cont'd)

PART NO.	INDEX NO.	PART NO.	INDEX NO.	PART NO.	INDEX NO.	PART NO.	INDEX NO.	PART NO.	INDEX NO.
370420	30.3867	371113	1.108	371384	15.0074	371696	30.6355	372026	30.4335
370424	30.382	371115	11.0122	371385	30.6570	371697	30.6370	372026	30.4335
370425	30.383	371116	5.1300	371387	30.657	371699	30.6497	372030	30.311
370433	7.1023	371125	11.0122	371388	10.004	371700	30.649	372031	30.311
370436	30.500	371131	9.3055	371391	3.1495	371712	3.155	372034	30.3015
370437	30.500	371135	4.0600	371396	3.1275	371713	10.0107	372035	30.3015
370471	30.933	371141	3.1162		3.1162	371714	10.0108	372036	30.5503
370476	10.058	371153	9.306	371397	3.1162	371715	10.0108	372037	30.5503
370479	30.4958	371155	9.101	371398	3.1162	371717	10.087	372040	30.312
370521	31.1675	371158	4.0575		3.1275	371721	3.157	372052	30.398
370534	30.812	371159	3.167	371402	4.13001	371723	30.648	372053	30.398
370536	31.394	371160	3.230	371404	4.13026	371737	3.156	372062	31.226
370543	0.0348	371170	9.126	371405	4.1311	371738	4.1602	372064	31.236
370552	30.413	371171	3.3466	371406	4.133765	371739	4.1602	372070	31.252
370553	30.413	371172	3.1415	371406	4.0560	371741	4.1611	372074	30.8135
370557	31.1675	371173	3.108		4.06204	371743	3.155	372075	30.8135
370579	31.1735	371179	8.003	371415	10.0483	371744	3.155	372076	31.231
370585	30.3985	371185	4.05585		4.13372	371757	3.167	372077	31.2373
370588	7.100	371187	3.157		4.06208	371758	3.167	372078	30.3985
370589	7.100	371192	13.1001		4.0566	371765	3.230	372079	30.3985
370594	30.446	371195	13.001	371416	4.1509	371767	3.2505	372082	31.1955
370595	30.446	371197	13.001	371419	4.2333	371768	9.014	372090	30.5103
370596	30.447	371207	3.482	371420	3.115	371777	4.13051	372091	30.3046
370597	30.447	371211	4.02025	371421	2.0113	371781	9.143		30.4412
370599	30.341		30.649	371425	3.1276	371782	3.000	372092	31.1893
370739	30.841	371212	4.2321	371427	3.142	371813	3.236		30.3437
370758	31.4623		4.22086	371434	4.06204	371815	3.2365	372094	30.413
370768	30.837	371214	11.300		4.06193	371816	3.2366	372095	30.413
370772	30.834	371218	3.128	371454	9.010	371823	4.14013	372108	31.237
370774	30.836	371230	5.0902		9.0148	371825	3.329	372109	31.237
370776	30.846	371233	4.1601		9.016	371826	3.3325	372112	30.469
370777	30.846	371234	3.138	371462	3.000	371827	3.3325	372113	30.469
370851	31.475	371237	5.1100	371463	13.0175	371834	4.14014	372116	30.344
370858	31.474	371251	3.4275	371474	30.634	371841	4.14018	372117	30.344
370870	31.474	371272	3.1497	371477	2.0119	371845	3.001	372118	30.344
370871	31.474		3.137	371504	2.0118	371849	4.14029	372119	30.344
370872	31.481		3.1162	371520	3.3325	371852	8.001	372121	3.1498
370873	31.4954		3.1415	371521	3.330	371853	8.001	372131	31.2406
370886	31.474	371278	2.013	371532	3.3031	371854	8.001	372146	0.0015
370888	31.4954	371280	2.001	371533	15.2006	371855	5.0513	372147	30.509
370957	31.395	371288	3.119	371537	2.009	371856	5.0513		30.396
370980	30.946	371295	11.0086	371538	10.001	371857	3.256	372164	0.0090
370992	31.474	371296	11.0086	371539	10.012	371860	3.2565	372165	0.0015
371005	1.300	371304	11.108	371541	10.087		3.2335	372174	0.0015
371012	4.0561	371306	11.0112	371542	10.0106	371861	3.2565	372188	30.814
371013	4.0561	371309	3.005	371554	3.137		3.2335	372189	30.815
371015	4.0561	371314	3.010	371558	4.00085	371862	3.2565	372190	30.440
371018	9.144	371323	15.001	371560	10.0105		3.2335	372200	31.195
371021	9.140	371325	15.0072	371562	4.13005	371863	3.2565	372204	30.479
371022	4.12056		15.3224	371569	4.1600		3.2335	372205	30.479
371023	4.0564	371329	15.0035	371570	4.1600	371871	9.017	372206	30.479
371026	9.139	371330	15.003	371579	4.1620	371876	3.232	372207	30.479
371031	4.0560	371332	15.0045	371580	4.1620	371879	9.009	372208	30.352
371032	1.100	371336	15.2025	371590	7.0072	371880	9.0114	372209	30.352
371036	8.010	371339	15.2005		11.108	371895	3.2281	372211	30.4957
371037	8.010	371342	4.00083		2.0113	371914	6.010	372211	30.377
371039	9.129	371343	4.00083		7.011	371916	4.1611	374211	30.9303
371040	5.1509	371344	4.00084	371591	4.14017	371919	8.014	372225	30.3045
371041	5.1501	371346	6.100	371599	4.23245	371924	4.1301	372228	31.164
371042	5.15001	371353	4.1200	371600	4.23246	371928	6.008	372230	31.3917
371049	9.129	371354	4.1200	371614	4.1622	371956	9.0206	372236	31.1735
371050	9.127	371355	3.1335	371615	4.1622	371959	31.310	372244	0.0349
371051	3.109	371356	3.101	371620	4.1601	371960	31.310	372249	30.304
371059	5.1503	371357	3.102	371621	4.1601	371971	9.019	372250	30.933
371060	8.039	371363	18.013	371626	5.0402	371983	15.511	372251	30.933
371063	8.0146	371364	18.013	371646	7.0071	371984	3.115	372256	30.0275
371069	1.500	371365	18.013	371647	7.0071	371985	3.115	372257	30.0275
371073	3.116	371366	3.129	371666	2.0115	371998	9.0143	372258	10.028
371074	5.0600	371367	3.128	371673	3.1497	372002	30.448	372270	31.230
371075	3.104	371368	15.00746	371682	9.010	372004	30.935	372272	30.8135
371076	3.105	371369	30.657	371683	12.0161	372005	10.0117	372273	30.8135
371078	1.500	371372	30.6570	371692	30.6497	372008	30.310	372286	31.2286
371082	3.127	371373	31.375	371693	30.650	372009	30.310	372287	30.440
371094	15.400	371375	4.1513	371694	30.651	372025	30.3275		30.304
371101	1.305	371378	3.101	371695	30.636		30.450	372288	31.1573

NUMERICAL INDEX (Cont'd)

PART NO.	INDEX NO.	PART NO.	INDEX NO.	PART NO.	INDEX NO.	PART NO.	INDEX NO.	PART NO.	INDEX NO.
372289	31.1573	372575	31.187	372814	30.553	373151	3.172	373419	7.011
372294	0.0071	372576	30.328	372815	30.553	373153	3.170	373424	3.3291
372295	0.0071		30.452	372820	30.326	373156	15.302	373429	3.310
372305	0.0072	372582	31.3915	372821	30.327	373157	15.302	373430	3.317
372310	30.8105	372588	31.237	372834	31.1652	373158	7.0165	373431	3.317
372311	30.8105	372602	10.0118	372835	31.4365	373159	7.016	373441	4.2321
372317	30.8105	372603	10.0118	372836	31.4365	373164	3.169	373443	3.488
372322	30.8105	372608	10.0112	372837	30.553	373165	3.153		3.4461
372323	30.8105	372609	10.0112	372849	31.4556		3.168	373444	3.012
372324	30.8105	372619	30.395	372850	10.0114	373168	2.0115	373445	0.0345
372325	30.8105		30.508		31.234	373169	2.0115	373446	15.329
372326	0.0025	372637	30.395	372854	30.3225	373177	3.165	373453	7.011
372331	0.00745	372638	30.509	372855	30.3225	373186	6.107	373454	3.3045
372332	0.0016	372642	10.0118	372868	30.466	373187	6.107	373456	15.304
372334	7.0051	372643	10.0118		30.341	373188	8.029	373457	3.326
372341	30.3010	372652	30.3010	372870	30.450	373189	8.029	373459	2.01153
372342	31.2305	372670	30.413	372871	30.450	373190	8.029	373460	2.017
372343	31.167	372671	30.413	372872	0.0097	373191	8.029	373463	2.014
372348	30.3863	372680	30.8135	372874	31.252	373194	4.1337	373466	4.05515
372349	30.3863	372684	30.434	372892	30.564	373195	10.0483	373471	9.306
372351	30.386	372684	30.562		30.434	373196	10.0483	373473	3.404
372352	30.386	372690	30.029	372893	30.434	373197	4.06208	373475	4.1002
372355	30.4958	372691	30.027		30.564	373198	4.01041	373476	4.1000
372356	30.331	372692	30.028	372898	30.341	373199	4.0003	373483	2.000
372357	30.331	372693	31.280	372899	30.341	373202	9.0143		2.0005
372360	30.456	372694	30.413	372909	30.450	373227	3.152	373486	15.318
372361	30.456		30.553		30.3275	373244	15.502	373491	12.023
372383	31.2376		30.3985	372918	30.5506	373245	15.502	373492	2.014
372391	30.311		30.411	372920	30.5506	373246	4.2334	373493	4.00085
	30.310	372696	30.5537	372921	30.5506	373247	15.501	373502	9.400
	30.4470	372697	30.5535	372924	31.176	373248	15.501	373503	4.1105
372410	30.9313	372701	10.0106	372925	30.706	373261	15.5036	373515	2.0118
372424	30.0075	372702	30.5535	372940	30.466	373262	15.5135	373516	4.0008
372448	7.0051	372703	30.4163	372941	30.466	373263	15.5132	373524	11.3056
372449	7.0051	372706	30.3429	372959	30.55290	373264	15.5035	373525	9.3005
372450	0.00746		30.4679		30.4085	373266	15.5132	373527	9.3005
372452	31.235	372708	30.026	372960	30.3015	373267	15.5132	373529	7.0166
372454	31.225	372711	30.34295	372961	30.3015	373286	9.1215	373530	4.1000
372455	31.1735		30.4679	372962	30.3015	373288	9.136	373545	5.1000
372458	7.101	372723	30.34297	372963	10.058	373291	7.0165	373548	7.015
372463	0.0094		30.46798	372967	30.320	373297	15.304	373550	5.1001
372465	30.459	372729	30.3417	372970	30.39875	373298	3.1162	373560	4.1307
	30.5055	372735	31.187		30.3985		3.1275	373562	3.129
	31.297	372738	30.0295		30.396	373305	15.329	373563	3.128
	30.390	372751	31.167	372971	10.058	373311	15.321	373568	30.433
	30.334	372757	30.622		10.028	373313	15.0071	373569	30.433
372466	30.504	372764	30.0076	372973	30.933	373314	12.004	373570	3.4045
	31.294	372771	30.434	372999	30.412	373325	7.0166	373575	7.0072
	30.388	372774	30.408		30.5528	373326	4.0305	373576	7.0072
372467	0.0091	372775	30.408	373002	3.235	373329	2.014	373579	9.300
372488	30.808	372776	30.411	373004	9.136	373344	15.322	373580	9.300
	30.809	372777	0.0073	373007	4.00073	373345	5.1711	373584	2.0050
372491	31.2406	372780	30.5525	373010	10.011	373346	5.1711	373587	4.0104
372493	31.188	372781	30.5525	373011	10.003	373347	5.1711	373592	4.0600
372494	31.2405	372784	31.4390	373015	4.1620	373348	5.1711	373597	19.002
372495	7.1035	372785	31.4390	373018	8.0105	373354	15.5037	373598	4.1509
372496	30.806	372788	31.4390	373026	9.02057	373355	1.1231	373605	3.1493
372497	30.807	372789	31.4390	373027	9.132	373358	4.01043	373608	4.22085
372503	10.0110	372792	31.4365	373034	9.02057	373359	1.601		4.2321
372506	30.395	372793	31.4365	373035	9.1034	373362	9.307	373618	3.14958
372507	30.395	372794	30.3988	373072	9.02057	373364	3.3046	373630	3.1387
372508	7.103	372795	30.3988	373073	9.132	373365	1.0005	373635	3.1386
372519	31.230	372797	30.5507	373078	9.0145	373367	30.649	373636	1.1013
372525	30.628	372798	30.5527	373079	9.130	373368	4.21084	373639	3.1389
372527	30.6113	372799	30.5527	373085	9.0145		4.23001	373640	3.1388
372528	30.6113	372798	30.410		9.135		30.6113	373641	1.102
372530	30.508	372799	30.410		9.0203		30.6490	373646	16.003
372531	30.508	372800	30.5105	373087	9.0203	373372	4.21084	373648	16.0025
372536	10.0117	372801	30.5105	373107	9.0203	373387	3.3088	373650	16.012
372537	30.553	372802	30.396	373113	9.1135	373388	15.3074	373657	4.1022
372538	30.927	372803	30.396	373114	9.0145	373389	15.3074	373663	11.300
372539	7.103	372804	30.509	373116	8.001	373390	9.137	373678	5.0700
372548	31.1576	372805	30.509	373117	8.001	373398	1.010	373680	7.0116
372556	31.2305	372806	30.626	373126	3.1494	373403	3.325	373681	7.0116
372559	30.9270	372812	31.366	373131	4.0001	373418	7.011	373686	3.005
				373132	9.018				

NUMERICAL INDEX (Cont'd)

PART NO.	INDEX NO.	PART NO.	INDEX NO.	PART NO.	INDEX NO.	PART NO.	INDEX NO.	PART NO.	INDEX NO.
373687	3.005	373857	15.501	374317	31.291	374443	30.940	374572	10.0445
373696	3.1387	373858	15.501	374324	30.030	374444	30.941	374573	10.0445
373697	1.0100	373860	3.127	374325	30.030	374454	30.941	374587	10.000
373702	15.32245	373862	14.000	374326	30.334	374463	30.941	374588	10.0645
	15.0073	373866	6.100		30.459	374464	30.940		10.0425
373704	15.004	373867	3.103	374326	30.865	374465	30.940	374589	10.0645
373705	15.009	373868	6.001		30.390	374466	30.900		10.0425
373706	15.009	373881	14.002		30.5055	374467	30.900	374596	30.007
373719	6.010	373895	8.028	374327	30.388	374468	30.908	374597	30.007
373725	6.0053	373896	8.028		30.504	374469	30.628	374598	30.007
	6.002	373897	15.406		30.864	374501	30.390	374599	30.007
373726	7.015	373898	15.406	374328	31.330		30.5055	374600	30.011
373727	7.015	373902	3.1275	374329	31.331		30.334	374601	30.007
373728	7.0115	373905	3.115	374330	30.8105		30.459	374602	30.007
373729	7.015	373915	3.157	374331	30.8105		30.865	374603	30.007
373730	7.0115	373919	15.4105	374334	30.356	374502	30.334	374608	31.394
373731	7.0115	373920	4.00085	374335	30.357		30.459	374610	31.394
373732	7.011	373922	5.1602	374338	30.480	374503	30.388	374611	31.235
373736	4.2340	373923	5.1601	374339	30.481		30.864	374612	31.281
	4.1102	373924	8.000	374342	30.489		30.504	374613	31.282
373737	10.127	373925	15.4065	374346	30.601	374504	30.419	374614	31.305
373740	3.405	373931	8.036	374347	30.601		31.330	374615	31.306
373747	15.200	373932	3.1492	374348	30.855	374505	31.330	374616	30.706
373748	15.200	373935	13.1164	374350	31.281		30.419	374617	30.9277
373749	15.000	373943	13.023	374351	31.282	374506	30.4205	374623	30.9277
373752	4.1335	373946	13.000	374352	31.305		31.331	374631	4.0200
373753	4.13375	373947	13.000	374353	31.306	374507	30.4205	374651	31.106
373755	1.500	373949	1.200	374354	30.871		31.331	374652	31.105
373759	4.2321	373951	4.0312	374355	31.395	374508	30.334	374654	30.366
373764	0.0074	373952	9.109	374356	30.858		30.390	374660	31.245
373765	4.1205	373953	0.030	374357	31.365	374509	30.390	374663	31.246
373768	7.000	373955	11.012	374361	10.000		30.334	374668	31.430
373769	7.000	373956	0.0015	374364	30.885		31.100	374670	30.480
373770	7.000	373957	0.0015	374365	30.885	374510	30.356	374671	30.481
373771	7.000	373965	8.007	374370	30.894	374511	30.357	374672	30.601
373772	7.009	373966	8.007	374371	30.894	374512	30.356	374675	10.0268
373773	7.009	373974	3.209	374373	10.022	374513	30.357	374676	31.431
373774	0.011	373986	5.1100	374376	10.0445	374518	30.388	374682	30.8907
373775	0.011	373995	13.001	374381	31.234	374519	30.388	374683	31.243
373778	7.0075	374043	30.332	374394	30.3615	374522	30.419	374690	30.014
373779	7.0075		30.457	374395	30.3615	374523	30.4205	374691	30.014
373780	7.0077	374076	30.382	374396	30.626	374524	30.480	374694	30.703
373781	7.0077	374077	30.383		30.665	374525	30.481	374695	30.026
373782	7.0077	374084	3.010	374397	30.626	374526	30.480	374696	30.026
373783	7.0077	374125	30.9270	374398	30.626	374527	30.481	374698	30.005
373784	7.0079	374130	30.933	374399	30.626	374528	30.480	374712	30.87598
373785	7.0079	374131	30.933	374402	31.280	374529	30.481	374713	30.87598
373788	7.0079	374132	30.933	374403	31.280	374530	30.480	374714	31.4558
373789	7.0079	374133	30.933	374404	31.280	374531	30.481	374715	31.4558
373803	11.1005	374134	31.2471	374405	31.280	374542	10.022	374716	30.843
373805	11.108	374135	31.2471	374406	30.4815	374544	10.0425	374717	30.843
373807	11.108	374148	30.914		31.3857		10.0645	374718	30.843
373808	11.108	374150	30.914		30.3617	374545	10.0445	374746	10.022
373809	11.108	374151	30.914		31.4558	374546	30.855	374756	30.688
373810	11.108	374218	31.234	374407	30.3617	374548	31.281	374757	30.688
373811	11.108		10.0114		31.4558	374549	31.282	374758	30.688
373812	11.108		31.234		31.2857	374550	31.305	374760	30.456
373820	30.433	374221	30.022		30.4818	374551	31.306	374761	30.456
373821	30.433	374222	31.353	374408	31.281	374554	31.396	374768	30.326
373823	9.400	374223	31.358	374409	31.282	374556	10.022	374770	30.332
373824	9.400	374247	31.287	374410	31.281	374557	10.022		30.457
373825	9.400	374248	31.290	374411	31.282	374558	10.022	374774	30.4679
373827	1.6025	374256	30.479	374418	31.286	374559	10.022		30.3429
373828	1.601	374257	30.940	374419	31.386	374560	10.022	374776	30.46798
373840	6.000	374258	30.509	374424	31.293	374561	10.022		30.34297
373842	3.14955	374259	30.509	374425	31.293	374562	10.022	374777	30.34295
373844	5.1305	374276	30.9276	374428	30.933	374563	10.022		30.4679
373847	6.008	374284	30.401	374430	31.235	374564	10.022	374785	30.660
373848	6.0053	374285	30.401	374431	31.235	374565	10.022		30.61125
373849	9.102	374292	30.331	374432	31.394	374566	10.0445		30.622
373851	8.014	374293	30.331	374433	30.706	374567	10.0445	374786	30.8135
373852	6.101	374294	31.164	374434	30.706	374568	10.0445	374787	30.8135
373854	5.1503	374302	31.1573	374440	30.900	374569	10.0445	374788	30.8135
373855	1.500	374308	31.1576	374441	30.900	374570	10.0445	374789	30.8135
373856	3.100	374316	31.291	374442	30.908	374571	10.022	374799	30.022

NUMERICAL INDEX (Cont'd)

PART NO.	INDEX NO.	PART NO.	INDEX NO.	PART NO.	INDEX NO.	PART NO.	INDEX NO.	PART NO.	INDEX NO.
374802	30.030	375153	30.352	375439	30.026	376237	30.331	376735	30.481
374803	30.030	375154	30.352	375447	30.604		30.4958	376736	30.356
374804	30.030	375155	30.352	375458	10.0351		31.293	376737	30.357
374805	30.030	375156	30.352	375468	30.022	376243	30.4470	376738	30.480
374842	30.030	375157	30.352	375470	30.610	376246	30.553	376739	30.481
374843	30.030	375158	31.2855	375471	31.394	376249	30.5005	376760	31.247
374846	30.410	375160	30.356	375479	10.022		30.382	376765	31.2405
		375161	30.357	375480	10.0351	376260	30.311	376783	31.2405
374847	30.5527	375163	30.357	375496	7.009		30.310	376784	30.6118
	30.410	375172	30.395	375501	30.9274		30.4470		30.665
374883	31.287	375173	30.395	375502	30.39875	376261	30.944		30.6118
374899	31.365	375179	30.395	375504	30.3437	376265	31.164	376788	30.396
374906	31.366	375178	31.2745	375505	30.3437	376270	30.510	376789	30.396
374940	31.394		30.301	375506	30.3437	376271	30.510	376790	30.509
374941	31.394	375179	30.508	375509	30.034	376316	30.0075	376791	30.509
374942	31.394		31.286	375512	31.2745	376317	30.0075	376794	30.342
374950	31.395	375190	30.326	375650	30.352	376318	30.0075	376795	30.342
374951	31.395	375191	30.327	375651	30.352	376351	10.028	376898	31.4954
374976	30.927	375196	30.806	375654	30.352		30.61125	376899	31.4954
374977	30.927	375197	30.807	375655	30.352	376370	30.833	376904	31.465
375022	31.299	375204	31.2745	375658	30.479	376373	31.365	376924	31.474
375023	31.299	375205	31.2745	375659	30.479	376493	31.395	376925	31.4954
375024	31.299	375216	4.0200	375660	30.479	376497	31.2745	376926	31.4916
375024	31.299	375217	30.626	375661	30.479		30.438	376932	31.468
375025	31.299	375218	30.626	375666	30.396		30.301	376935	31.471
375026	31.299		30.665	375667	30.396	376506	30.479	376952	30.908
375027	31.299	375228	10.0352	375674	30.509	376570	30.469	376953	30.941
375030	31.280	375231	31.27461	375675	30.509	376571	30.469	376954	30.940
375031	31.280	375240	30.034	375827	10.022	376574	30.469	376955	30.940
375032	31.280	375241	30.034	375828	10.022	376575	30.469	377142	11.108
375038	31.1893	375244	30.356	375830	10.022	376582	30.352	377171	7.015
375039	31.235	375245	30.357	375831	30.605	376583	30.352		7.0115
375040	31.235	375248	31.286	376002	30.7015	376595	31.4557	377172	7.015
375049	10.0114	375249	30.3615	376003	30.7016	376607	30.3615	377174	7.0115
		375250	7.100	376004	30.709	376608	30.3615	377205	1.605
375050	30.601	375251	7.100	376005	30.709	376609	30.4815	377218	7.0079
375051	30.601	375256	31.1967	376006	30.703	376610	30.4815	377219	7.0079
375052	30.601	375257	30.600	376010	30.55290	376628	31.4365	377221	4.0008
375053	30.600	375260	30.007		30.4085	376630	31.4390	377228	1.605
375054	30.628	375261	30.007	376016	31.164	376631	31.4390	377231	1.200
375057	30.706	375262	30.007	376037	31.293	376632	30.407	377232	9.102
375058	30.706	375263	30.007		30.386	376633	30.407	377233	9.102
375067	30.600	375270	30.3617	376038	30.386	376634	30.5515	377239	5.1602
375072	10.021		30.4818		31.293	376635	30.5515	377240	11.003
375073	10.021		31.2857	376044	30.4537	376642	31.4365	377242	11.003
375074	10.022	375296	30.301	376045	30.4537	376643	31.4365	377243	11.003
375075	10.022	375297	30.301	376047	30.7033	376644	31.4365	377244	11.003
375076	10.022	375298	30.608	376052	10.058	376645	31.4390	377247	11.108
375077	10.023	375309	30.034	376062	0.0093	376646	31.4390	377248	11.108
375085	10.032	375312	30.034	376063	30.3015	376647	31.4390	377251	11.108
375086	10.035	375333	10.021	376064	0.0095	376648	31.4390	377252	11.108
375087	10.0352	375334	10.022	376066	10.0116	376649	31.4390	377253	14.000
375090	10.000	375335	10.022	376067	10.0116	376658	31.27461	377260	11.1085
375091	10.000	375337	10.000	376099	31.4615	376659	31.157	377265	11.001
375095	4.0200	375339	30.841	376109	30.319	376665	30.705	377282	7.009
375096	4.0200	375340	30.837	376114	11.108	376688	30.352	377286	8.000
375097	4.0200	375342	10.0352		31.400	376689	30.352	377294	13.1001
375098	10.038	375346	31.190	376115	31.400	376692	30.479	377298	5.1102
375099	30.660	375354	30.311	376118	10.0112	376693	30.479	377305	8.030
	30.622	375355	30.311	376125	30.61135	376695	31.394	377306	8.030
	30.61125	375356	30.310	376130	15.3072	376698	30.341	377310	7.000
375116	30.0275	375357	30.310	376140	30.942	376698	30.466	377311	7.000
375118	30.026	375358	30.030	376142	30.61125	376720	30.356	377314	5.11015
375122	30.344	375359	30.030	376162	30.5005	376721	30.357	377315	8.030
375123	30.344	375360	30.030	376163	30.5005	376722	30.480	377316	8.030
375124	30.386	375361	30.030	376162	30.382	376723	30.481	377318	0.011
375125	30.386	375362	30.3437	376163	30.382	376724	30.479	377319	0.011
375134	30.398	375398	30.1004	376165	30.704	376725	30.479	377324	8.028
375135	30.398	375399	30.1015	376166	30.7022	376728	30.356	377325	8.028
375144	30.396	375400	30.319	376174	30.0006	376729	30.357	377329	14.000
375145	30.396	375401	30.319	376175	30.0006	376730	30.480	377343	9.2035
375146	30.396	375417	10.022	376205	31.1576	376731	30.481	377349	4.0008
375147	30.352	375419	10.000	376211	31.226	376732	30.356	377350	15.3075
375151	30.352	375428	10.000	376224	30.466	376733	30.357	377356	4.21094
375152	30.352	375429	10.000	376225	30.466	376734	30.480	377358	7.011

NUMERICAL INDEX (Cont'd)

PART NO.	INDEX NO.	PART NO.	INDEX NO.	PART NO.	INDEX NO.	PART NO.	INDEX NO.	PART NO.	INDEX NO.
377374	15.202	377730	4.17007	377945	4.1337	378136	10.058	378313	15.303
377375	15.202		10.0548	377947	10.0614	378137	10.058	378315	15.3076
377379	15.313	377731	4.17007	377948	10.0614	378138	10.058	378316	9.1140
377387	10.065		10.0548	377949	10.0614	378139	10.058	378317	9.114
377389	10.0645	377734	9.1001	377950	10.0614	378140	4.2320	378319	15.3075
377390	10.0645	377735	9.1001	377951	10.0635	378141	4.2320	378320	15.3075
377407	10.065	377736	9.1001	377953	10.0635	378142	9.135	378321	15.3075
377418	0.011	377737	15.3015	377954	10.0635	378144	4.2320	378322	18.013
377419	0.011	377742	4.03001	377956	10.0105	378145	9.144	378323	18.013
377427	5.14034	377752	4.0540	377957	10.088	378147	4.2320	378324	4.0561
377445	15.3002		9.0113	377958	4.1513	378148	10.058	378325	4.0561
377455	15.333	377768	15.3075	377960	9.1035	378150	30.6365	378326	15.303
377456	3.311	377769	15.3075	377971	10.0105	378151	4.0312	378329	15.3002
377458	4.01041	377770	15.3075	377972	10.0105	378152	4.0312	378330	15.3075
377459	4.1513	377771	15.3075	377979	15.3002	378153	9.209	378331	10.127
377462	4.1337	377772	15.3075	377980	15.3002	378154	9.109	378332	10.127
377464	10.088	377774	15.3075	377981	15.3002	378155	10.0614	378333	3.314
377465	10.0105	377775	15.3075	377982	3.314	378156	10.0614	378334	3.314
377466	10.004	377776	15.3075	377985	3.325	378159	4.01041	378335	3.314
377479	18.0135	377782	3.115	377986	3.325	378160	4.01041	378336	3.314
377485	15.303	377783	9.0115	377989	3.325	378161	9.200	378337	3.314
377486	15.3076	377785	9.132	377992	15.3002	378165	10.088	378338	15.3076
377500	8.0146	377787	4.0550	377993	15.3002	378168	9.0035	378346	4.0616
377501	8.0146	377788	9.0115	377995	3.311	378191	10.058	378347	15.3076
377512	5.0304	377789	3.14955	377996	3.314	378192	10.058	378348	15.303
377513	15.400	377792	3.14956	377997	3.314	378194	10.0105	378351	15.3002
377515	5.0304	377793	4.0556	377999	3.314	378197	10.0635	378353	4.13051
377517	11.013	377794	3.150	378000	3.325	378198	10.0635	378354	4.13051
377526	19.041	377795	3.150	378001	3.325	378199	10.0635	378355	4.1300
377527	4.1600	377796	4.0566	378002	3.325	378204	4.1001	378356	4.1300
377528	4.1600	377799	9.132	378005	15.303	378205	4.1000	378357	15.3002
377529	4.1600	377807	15.515	378006	15.303	378218	4.21082	378358	15.3002
377530	4.1600	377821	5.0508	378007	15.3075	378219	4.1002	378359	9.020
377535	3.310	377824	15.3002	378008	15.3075	378226	10.004	378360	3.325
377536	4.1655	377825	5.0928	378009	15.3075	378235	15.3002	378361	5.1015
377538	6.000	377826	9.1140	378010	15.3075	378236	15.3002	378364	4.2340
377539	4.1622	377827	9.114	378011	15.3076	378237	15.3002		4.1102
377541	5.1552	377828	9.1140	378012	15.3076	378240	8.046	378365	15.303
377542	3.14956	377829	9.114	378013	15.333	378248	11.012	378366	15.3076
377543	3.14955	377830	9.114	378014	15.333	378249	15.303	378371	15.3002
377544	15.5136	377833	19.002	378016	3.314	378250	15.3045	378373	9.114
377549	6.000	377834	19.002	378027	15.333	378251	15.3075	378376	9.020
377552	4.1623	377836	19.002	378035	4.21092	378252	10.012	378377	15.3075
377555	6.000	377837	19.002	378061	4.1601	378253	10.012	378380	9.144
377558	9.140	377840	11.2225	378062	6.001	378260	8.030	378381	7.002
377559	4.1608	377843	19.002	378069	9.000	378261	8.030	378382	7.002
377564	4.0560	377847	19.002	378071	9.000	378262	10.058	378385	15.3045
377570	15.3002	377851	7.000	378076	10.012	378263	10.058	378386	15.3002
377577	4.21089	377852	7.000	378077	10.0173	378264	10.058	378387	9.003
377578	4.2109	377854	10.004	378085	10.1283	378265	10.058	378389	3.313
377585	5.0404	377855	10.004	378087	10.001	378266	10.058	378390	15.408
377586	15.3075	377859	19.0035	378088	10.001	378267	8.028	378391	11.0125
377641	4.1623	377870	3.334	378100	3.150	378268	8.028	378392	0.0356
377647	10.058	377872	10.058	378101	3.150	378271	10.058	378393	9.000
377648	10.058	377881	4.100	378109	3.157	378272	10.058	378394	8.039
377651	10.058	377885	10.001	378112	3.157	378273	10.058	378395	3.325
377655	4.1600	377886	10.001	378114	3.150	378274	10.058	378396	3.325
377656	4.1600	377887	10.004	378115	3.150	378275	10.058	378397	3.325
377674	9.0203	377889	10.012	378118	9.02057	378277	4.1513	378398	4.1300
377677	15.3076		10.0154	378119	9.132	378280	10.0635	378399	4.1300
377678	15.3076	377890	10.012	378120	9.000	378281	10.0635	378402	4.1100
377680	15.303	377893	10.0173	378121	9.02057	378282	15.3002	378405	9.1115
377681	15.303	377894	10.0173	378122	9.132	378283	3.4045	378408	9.209
377683	15.3076	377897	4.1337	378123	3.159	378290	15.333	378410	9.000
377684	15.3076	377903	10.058	378124	3.167	378291	15.333	378411	9.000
377685	15.303	377904	10.058	378125	3.155	378295	3.404	378412	9.000
377686	15.303	377908	10.058	378127	9.132	378297	3.404	378413	9.000
377689	9.143	377930	4.0104	378128	10.058	378299	10.058	378414	9.1140
377698	9.102	377931	4.0104	378129	10.058	378300	10.058	378415	9.114
377699	10.100	377932	4.0104	378130	10.058	378201	10.058	378417	9.1140
377700	10.100	377936	7.200	378131	10.058	378202	15.333	378418	9.114
377703	3.109	377937	7.200	378132	10.058	378303	15.333	378419	9.114
377705	10.0483	377939	4.0561	378133	10.058	378304	15.333	378428	3.3046
377708	10.100	377942	3.4045	378134	10.058	378306	15.3002	378430	4.1400
377729	10.100	377944	10.058	378135	10.058	378307	15.3002	378433	3.4045

NUMERICAL INDEX (Cont'd)

PART NO.	INDEX NO.	PART NO.	INDEX NO.	PART NO.	INDEX NO.	PART NO.	INDEX NO.	PART NO.	INDEX NO.
378437	3.404	378640	14.100	378861	7.00795	379102	10.100	379478	4.0542
378438	3.104	378641	14.100	378862	7.00795	379103	10.100	379492	7.00795
	1.3065	378650	7.011	378863	7.00795	379104	10.100	379483	7.00795
378448	11.003	378651	7.011	378864	7.00795	379105	10.100	379500	18.0135
378455	1.200	378652	1.501	378865	7.00795	379124	0.0335	379549	4.13051
378457	1.300	378653	1.501	378866	7.00795	379125	0.0335	379550	4.0542
378460	1.302	378654	5.1016	378867	7.00795	379126	0.03353	379577	4.21075
378464	15.303	378655	5.1015	378868	7.00795	379127	0.03353	379564	7.000
378479	15.303	378656	11.001	378869	7.00795	379133	13.000	379565	7.000
378493	1.200	378658	0.028	378880	15.3075	379134	13.000	379572	4.1100
378496	3.325	378659	0.0276	378882	1.0005	379135	13.000	379573	4.1100
378497	3.325	378667	11.0086	378896	7.00795	379136	13.000	379574	4.1100
378498	3.325	378668	11.0086	378897	7.00795	379137	30.4315	379575	4.1100
378505	10.058	378669	4.0312	378901	9.400	379142	10.058	379587	19.002
378506	10.058	378671	7.000	378905	0.028	379161	4.1611	379592	19.002
378507	10.058	378672	7.000	378906	0.0276	379162	4.1611	379596	4.21092
378508	10.058	378680	10.100	378914	0.0334	379166	4.1620	379597	4.21092
378509	10.058	378681	10.100	378915	0.0334	379167	4.1623	379598	4.21092
378511	10.0614	378685	30.649	378918	11.003	379170	4.1602	379599	4.21092
378513	10.0614	378688	12.022	378920	6.100	379174	14.100	379600	4.21092
378516	9.109	378692	11.0045	378921	7.0075	379175	14.100	379601	4.21092
378517	15.3045	378695	11.108	378922	7.0075	379200	3.109	379602	4.21092
378522	13.301	378703	9.109	378926	2.000	379204	3.404	379603	4.21092
378523	13.307	378704	18.0135	378929	2.012	379206	3.404	379604	4.21092
378524	13.308	378705	11.0085	378930	2.012	379207	4.1001	379608	13.000
378525	13.309	378714	0.0336	378931	2.012	379208	4.1602	379609	13.000
378526	13.306	378721	1.500	378932	2.012	379209	4.1602	379610	1.105
378527	13.307	378725	1.1086	378933	2.0050	379211	1.400	379613	4.01015
378528	13.308	378727	3.317	378934	2.0005	379212	1.412	379614	4.0101
378529	13.309	378730	3.325	378936	3.013	379213	3.115	379621	14.100
378530	13.310	378731	15.329	378937	2.013	379262	11.108	379622	4.0101
378537	9.0005	378735	11.108	378938	2.013	379263	11.108	379623	4.0603
378539	6.100	378739	3.1695	378939	3.013	379269	15.409	379624	4.0614
378540	15.3002	378740	3.1695	378944	2.001	379270	15.409	379626	13.001
378541	15.3075	378743	9.019	378954	7.000	379281	13.024	379633	13.023
378542	15.3075	378748	9.0206	378955	7.000	379282	13.024	379634	13.024
378548	3.104	378752	9.0203	378966	2.0115	379283	5.0500	379635	1.023
378555	15.313	378753	9.0203	378968	2.0113	379285	5.0500	379636	1.023
378558	3.011	378754	4.1200	378974	7.000	379287	5.0500	379642	1.105
378559	3.011	378755	4.1200	378975	7.000	379296	9.01445	379643	1.105
378560	3.011	378756	1.0015	378976	9.0206	379297	9.0144	379644	1.105
378562	3.105	378760	15.3075	378979	15.3045	379304	4.2320	379645	1.105
378563	4.2320	378772	15.321	378985	5.14036	379305	4.2208	379646	1.105
378564	4.2320	378775	11.1085	378986	2.009	379314	30.623	379666	1.121
378565	4.2320	378778	3.005	378988	15.303	379332	5.1400	379667	10.0915
378566	3.306	378780	9.0203	378991	4.21080	379333	5.1400	379668	10.0915
378568	3.306	378782	5.1608	378992	4.0003	379334	5.1400	379669	10.0915
378576	5.1009	378783	5.1608	379002	6.101	379339	19.002	379670	10.0915
378577	5.1010	378785	6.100	379006	9.400	379356	13.024	379671	13.000
378586	4.1401	378788	1.016	379007	4.210813	379357	13.024	379672	13.000
378587	4.1407	378795	15.400	379009	4.21081	379364	4.2208	379673	13.001
378588	4.14028	378799	11.108	379014	3.203	379382	4.0614	379698	9.1135
378589	4.1409	378800	11.108	379015	3.4015	379383	4.0614	379699	9.1135
378590	0.030	378804	4.1205	379026	9.014	379384	4.0621	379733	15.3045
378594	15.3076	378805	4.1205	379032	4.210813	379385	4.0621	379735	4.20182
378596	11.0045	378806	11.108	379038	11.1085	379386	4.0603	379750	4.0206
378605	4.2320	378810	4.1800	379040	0.0334	379387	4.0603	379751	4.02051
378606	4.2320	378811	4.1800	379041	0.0334	379388	10.0915	379752	4.02051
378607	4.2320	378812	4.1800	379042	11.108	379389	10.0915	379753	4.02054
378608	4.2320	378813	3.330	379049	11.108	379393	13.023	379754	4.02054
378609	4.2320	378814	3.331	379050	11.108	379394	13.023	379755	4.02054
378610	4.2320	378815	3.332	379052	4.1622	379395	4.0621	379756	10.1025
378611	4.2320	378819	3.172	379053	4.1622	379396	4.0621	379756	4.0201
378612	4.2208	378820	3.170	379055	4.1620	379397	4.0621	379757	4.02071
378613	4.2208	378823	5.0603	379056	4.1620	379398	4.0621	379758	4.02071
378614	4.2208	378832	18.0135	379062	4.0701	379410	13.000	379759	4.02095
378615	4.2208	378833	18.0135	379063	4.1024	379411	13.000	379767	13.024
378616	4.2320	378841	4.21096	379067	15.3002	379412	13.023	379768	13.024
378618	4.2320	378845	8.000	379069	7.00795	379431	4.1300	379769	9.101
378621	4.2208	378847	5.1607	379073	6.004	379432	4.1300	379784	4.02095
378623	4.2208	378848	15.302	379077	6.1017	379433	4.13025	379785	4.02095
378630	7.011	378855	15.00742	379078	15.303	379464	7.2075	379786	4.02095
378633	7.011	378856	15.3074	379079	6.1025	379466	3.1695	379787	4.16085
378636	11.003	378859	5.1101	379080	11.013	379467	1.108	379788	13.023
378638	9.135	378860	7.00795	379081	6.101	379474	15.404	379789	13.024

NUMERICAL INDEX (Cont'd)

PART NO.	INDEX NO.	PART NO.	INDEX NO.	PART NO.	INDEX NO.	PART NO.	INDEX NO.	PART NO.	INDEX NO.
379790	12.024	379919	7.00795	380321	31.246	380609	31.2745	381010	30.550
379792	10.054	379920	7.00795	380322	31.243	380612	30.0275	381011	30.550
379793	10.0575	379921	7.00795	380323	31.244	380614	30.61115	381012	30.398
379794	10.0546	379925	4.1022	380339	31.4556	380615	30.927	381013	30.398
379795	10.0575	379936	4.1022	380340	31.4556	380616	31.394	381014	30.401
379796	10.0575	379944	30.634	380341	31.1675	380620	30.395	381015	30.401
379797	4.0202	379945	30.6497	380414	31.240	380621	30.395	381051	30.0076
379798	4.0202	379946	9.302	380415	31.240	380626	31.366	381053	30.0076
379799	10.110		30.6497	380419	10.028	380628	31.2405	381060	30.806
379800	10.110	379947	4.1303	380421	10.028	380630	30.408	381061	30.807
379801	4.0202	379948	4.1311	380425	30.3570	380631	30.408	381062	30.808
379802	4.02051	379949	4.1300	380429	30.553	380639	30.622		30.809
379806	10.105	379950	4.1300	380430	30.4163	380640	31.4558	381069	30.927
379807	10.105	379951	4.1300	380432	31.4615		30.3617	381081	31.4556
379808	10.105	379952	4.1300	380433	31.4615		30.4818	381263	31.4556
379809	10.105	379977	15.303	380434	31.4615	380641	30.4818	381356	30.407
379822	12.0313	379978	15.303	380435	30.0115		30.3617	381357	30.407
379823	12.0313	379979	15.303	380437	30.0115		31.4558	381358	30.5515
379824	12.0313	380010	30.601	380448	31.4556	380642	30.3615	381359	30.5515
379825	12.0313	380011	30.600	380452	31.253	380643	30.3615	382101	2.000
379826	12.0313	380012	30.628	380453	31.253	380644	30.4815	382102	2.0005
379827	12.0313	380015	30.601	380461	30.61115	380645	30.4815	382103	2.0050
379832	4.0005	380016	30.600	380462	30.61115	380646	31.4557	382104	2.0050
379844	10.012	380018	30.601	380468	30.431	380652	31.4390	382108	2.001
379845	10.0645	380019	30.600	380469	30.431	380653	31.4390	382109	2.001
379846	10.0645	380020	30.628	380473	31.247	380654	31.4365	382187	2.000
379847	10.0352	380030	30.007	380482	31.245	380655	31.4365		2.0005
379848	10.0352	380031	30.007	380483	31.246	380660	30.450	372302	19.002
379849	10.065	380032	30.007	380484	31.243	380661	30.450	382310	0.0345
379850	10.065	380050	30.5505	380485	31.244	380664	30.326	382311	0.030
379852	10.0106	380051	30.5505	380486	30.415	380665	30.327	382312	0.030
379854	4.01041	380052	30.5505		30.553	380670	31.4365	382313	0.0276
379855	4.0566	380053	30.5505	380496	30.434	380671	31.4365	382314	0.0276
379856	10.0483	380054	7.000	380497	30.434	380672	31.4556	382320	3.314
379857	10.0483	380055	7.000		30.562	380673	31.4556	382341	3.1169
379858	4.1337	380066	31.365	380498	30.562	380674	31.4556	382349	3.311
379859	10.0483	380067	31.365	380544	31.395	380675	31.4556	382371	15.3002
379860	4.06208	380068	30.61115	380552	31.4556	380676	31.4556	382375	10.038
379861	4.1513	380101	30.9270	380558	30.601	380677	31.4556	382376	10.038
379863	10.087	380102	30.510	380559	30.600	380678	31.4390	382380	15.3075
379866	3.310	380103	30.510	380560	31.3915	380679	31.4390	382395	6.106
379867	4.1037	380131	30.319	380561	30.413	380681	30.7015	382397	5.0900
379868	4.10385	380159	30.933	380566	30.438	380686	31.2406	382399	5.0900
379876	4.1600	380160	30.933	380567	30.438	380690	30.508	382405	5.0900
379877	4.1600	380164	30.466	380568	31.573	380691	30.508	382406	9.109
379878	4.1620	380165	30.466	380569	31.1573	380694	30.301	382407	9.109
379879	4.1620	380166	30.341	380572	31.4615	380695	30.301	382408	9.109
379880	4.1600	380167	30.341	380573	31.4615	380774	31.4523	382421	4.21092
379881	4.1600	380168	30.449	380576	31.1735	380775	31.4623	382422	4.21092
379882	4.1620	380169	30.449	380578	31.4556	380811	30.940	382423	4.21092
379883	4.1620	380170	30.319	380579	31.4556	380824	31.4609	382425	4.1205
379884	4.1620	380171	30.319	380580	31.4365	380830	30.900	382428	4.21082
379886	4.14028	380172	31.4365	380582	31.4365	380831	31.497	382446	15.00744
379888	19.0035	380173	31.4390	380583	31.4390	380839	31.492	382470	14.109
379889	19.002	380179	30.00753	380584	31.4390	380840	31.497	900023	12.005
379890	19.002	380192	31.4556	380585	31.4395	380849	31.4609	900024	12.005
379891	19.002	380193	31.4556	380586	31.4390	380852	30.908	900064	12.005
379894	0.0335	380194	31.4556	380587	31.4390	380853	30.946	900065	12.005
379895	0.0335	380250	31.4556	380588	31.4365	380854	30.940	900066	12.005
379896	7.0075	380251	31.4556	380589	31.4390	380855	30.900	900068	12.005
379897	7.0075	380255	31.4556	380590	31.4365	380856	30.900	900131	12.005
379899	0.0334	380261	31.190	380591	31.4365	380857	30.941	900422	11.014
379900	0.0334	380262	31.190	380592	31.4390	380863	31.492	900423	11.014
379901	0.0334	380268	30.0076	380593	31.4390	380865	31.4523	900424	11.014
379902	0.0334	380269	31.395	380594	31.4615	380866	31.4623	900546	11.014
379905	4.14013	380270	10.035	380595	31.4615	380867	31.492	901005	3.200
379906	4.1400	380280	30.007	380596	31.4615	380876	31.4523	901007	3.200
379908	1.105	380284	31.4615	380597	31.4615	380877	30.908	901008	3.200
379910	7.00795	380287	30.0115	380598	31.4556	380880	31.4523	901009	3.200
379912	7.00795	380307	30.3307	380599	30.927	380881	31.4623	901010	3.200
379913	7.00795	380310	31.4615	380600	30.3015	381004	30.5525	901011	3.200
379914	7.00795	380312	31.394	380601	30.3015	381005	30.5525	901012	3.200
379915	7.00795	380313	31.394	380604	31.397	381006	30.450	901014	3.200
379916	7.00795	380314	31.394	380605	31.397		30.3275	901026	3.200
379917	7.00795	380320	31.245	380608	31.2745	381009	31.366	901039	3.200

NUMERICAL INDEX (Cont'd)

PART NO.	INDEX NO.	PART NO.	INDEX NO.	PART NO.	INDEX NO.	PART NO.	INDEX NO.	PART NO.	INDEX NO.
901042	12.005	926038	7.100	951142	31.414	951887	31.452	952010	31.452
901043	12.001	926039	7.100	951143	31.414	951889	31.458	952011	31.452
901045	12.001	926044	30.375	951144	31.414	951899	31.462	952012	31.452
901046	12.001	926045	30.375	951145	31.414	951903	31.4609	952013	31.458
901047	12.001	926052	7.100	951146	31.414	951906	31.417	952015	31.458
901048	12.001	926053	7.100	951174	31.435	951907	31.417	952022	31.462
901049	12.001	926058	31.253	951175	31.436	951908	31.419	952023	31.462
901050	12.001	926068	31.242	951176	31.435	951909	31.421	952024	31.462
901051	12.001	926072	31.251	951177	31.436	951910	31.418	952026	31.462
901052	12.001	926073	31.251	951190	31.435	951911	31.418	952045	31.427
901090	12.001	926086	7.100	951191	31.436	951912	31.419	952050	31.427
901091	12.001	926087	31.157	951192	31.435	951913	31.458	952051	31.427
901092	12.001	950000	31.460	951193	31.436	951916	31.418	952054	31.427
901094	12.001	950001	31.460	951194	31.413	951919	31.418	952056	31.438
901096	12.001	950002	31.460	951195	31.413	951920	31.4125	952057	31.439
901098	12.001	950003	31.460	951206	31.438	951921	31.4125	952060	31.4125
901143	3.400	950100	31.4155	951207	31.439	951924	31.435	952061	31.4125
901044	12.001	950101	31.4155	951208	31.438	951925	31.436	952074	31.4593
901147	3.400	950102	31.4155	951209	31.439	951926	31.435	952075	31.4593
901148	3.400	950106	31.459	951212	31.438	951927	31.436	952104	31.418
901149	3.400	950107	31.459	951213	31.439	951930	31.452	952105	31.418
901150	3.400	950164	31.413	951214	31.438	951931	31.452	952106	31.418
901151	3.400	950165	31.413	951215	31.439	951933	31.462	952129	31.452
901152	3.400	950216	31.446	951220	31.438	951934	31.462	952130	31.462
901153	3.400	950217	31.446	951221	31.439	951935	31.452	952131	31.462
901222	12.001	950218	31.446	951222	31.438	951936	31.462	952140	31.412
925071	31.2471	950219	31.446	951223	31.439	951946	31.418	952141	31.412
925072	31.2471	950410	31.037	951234	31.441	951947	31.418	952142	31.4125
925240	30.495	950434	31.460	951240	31.444	951948	31.419	952143	31.4125
925251	31.157	950435	31.460	951241	31.444	951949	31.419	952144	31.412
925252	31.253	950436	31.460	951270	31.452	951950	31.435	952145	31.412
925268	31.242	950437	31.460	951271	31.452	951951	31.436	952163	31.420
925270	31.242	950518	31.4155	951278	31.452	951952	31.435	952164	31.425
925274	31.242	950520	31.415	951279	31.452	951953	31.436	952165	31.425
925294	7.100	950521	31.415	951282	31.452	951954	31.438	952168	31.4593
925299	7.100	950522	31.415	951283	31.452	951955	31.439	952169	31.4593
925300	31.251	950523	31.415	951284	31.452	951956	31.446	952002	31.414
925301	31.251	950678	31.459	951285	31.458	951957	31.446	975003	31.414
925306	31.251	950679	31.459	951291	31.458	951959	31.452	975008	31.438
925307	31.251	950866	31.425	951292	31.458	951960	31.452	975009	31.439
925310	31.251	950867	31.425	951293	31.458	951963	31.462	975010	31.435
925311	31.251	950922	31.410	951294	31.458	951965	31.418	975011	31.436
925318	31.251	950923	31.410	951343	31.462	951966	31.417	975012	31.435
925319	31.251	950926	31.410	951344	31.462	951968	31.417	975013	31.436
925320	31.251	950927	31.410	951345	31.462	951969	31.417	975014	31.412
925321	31.251	951028	31.446	951346	31.462	951974	31.418	975015	31.412
925324	31.251	951029	31.446	951348	31.462	951975	31.418	975018	31.462
925325	31.251	951031	31.4185	951349	31.462	951976	31.421	975032	31.452
925369	30.375	951032	31.4185	951388	31.4609	951977	31.419	975034	31.435
925370	30.375	951034	31.425	951389	31.4609	951978	31.419	975035	31.436
925377	30.495	951035	31.425	951393	31.4609	951979	31.417	975036	31.438
925378	30.495	951036	31.410	951424	31.417	951980	31.413	975037	31.439
925381	30.495	951037	31.410	951428	31.412	951981	31.413	975038	31.414
925382	30.495	951088	31.412	951429	31.412	951982	31.413	975039	31.414
925383	30.495	951089	31.412	951430	31.412	951983	31.413	975040	31.412
925384	30.495	951090	31.412	951439	31.417	951984	31.417	975041	31.412
925389	31.157	951091	31.4125	951448	31.418	951985	31.418	975042	31.435
925390	31.247	951092	31.4125	951462	31.413	951986	31.418	975043	31.436
925391	31.247	951093	31.4125	951463	31.413	951987	31.4609	975044	31.438
925401	31.157	951094	31.412	951500	31.410	951988	31.460	975045	31.439
925413	30.375	951095	31.412	951501	31.410		31.4593	975048	31.462
925414	30.375	951096	31.4125	951540	31.412	951989	31.4593	975080	31.435
925416	31.157	951097	31.4125	951541	31.412		31.460	975081	31.436
925417	30.495	951098	31.412	951548	31.417	951990	31.435	975082	31.438
925418	30.495	951099	31.412	951550	31.417	951991	31.436	975083	31.439
925419	30.495	951100	31.413	951682	31.4435	951992	31.435	975088	31.462
925433	31.242	951101	31.413	951752	31.443	951993	31.436	975092	31.435
925436	31.253	951102	31.413	951873	31.458	951994	31.435	975093	31.436
925437	31.253	951103	31.413	951877	31.446	951995	31.436	975094	31.438
926003	7.100	951124	31.417	951878	31.4125	951996	31.435	975095	31.439
926004	7.100	951136	31.421	951878	31.4125	951997	31.436	975099	31.452
926011	31.157	951137	31.427	951879	31.4125	951998	31.435	975102	31.452
926022	31.253	951138	31.427	951880	31.414	951999	31.436	975103	31.462
926030	31.243	951140	31.427	951881	31.414	952008	31.452	975104	31.452
926031	31.244	951141	31.427	951882	31.435	952009	31.452	975106	31.452
				951883	31.436				

NUMERICAL INDEX-(Cont'd)

PART NO.	INDEX NO.	PART NO.	INDEX NO.	PART NO.	INDEX NO.	PART NO.	INDEX NO.	PART NO.	INDEX NO.
975108	31.438	980747	31.411	981004	31.463	981654	31.411	995011	31.453
975109	31.439	980750	31.411	981005	31.463	981655	31.411	995014	31.455
975110	31.435	980751	31.411	981012	31.4114	981656	31.411	995017	31.4555
975111	31.436	980772	31.449	981013	31.4114	981657	31.411	995019	31.463
975112	31.435	980773	31.449	981538	31.4555	981660	31.411	995023	31.4555
975113	31.436	980786	31.411	981539	31.4555	981661	31.411	995024	31.461
975116	31.435	980787	31.411	981568	31.451	981662	31.411	995026	31.455
975117	31.436	980887	31.4555	981569	31.449	981663	31.411	995027	31.453
975118	31.438	980896	31.4555	981570	31.455	981664	31.410	995034	31.4113
975119	31.439	980903	31.455	981571	31.453	981665	31.410	995035	31.4114
975120	31.435	980907	31.455	981582	31.461	981666	31.410	995036	31.41135
975121	31.436	980915	31.455	981583	31.463	981667	31.410	995037	31.463
975122	31.438	980916	31.455	981596	31.4555	981670	31.410	995040	31.411
975123	31.439	980917	31.455	981597	31.4555	981672	31.410	995041	31.411
975124	31.462	980918	31.455	981600	31.455	981673	31.410	995042	31.411
975125	31.462	980919	31.455	981601	31.455	981692	31.4114	995043	31.411
975126	31.435	980945	31.453	981604	31.453		31.461	995048	31.461
975127	31.436	980947	31.453	981605	31.461	981693	31.461	995049	31.461
975128	31.438	980953	31.453	981610	31.463	981694	31.461	995050	31.410
975129	31.439	980954	31.453	981617	31.451	981695	31.461	995051	31.410
975131	31.462	980955	31.453	981623	31.461	981696	31.4114	995052	31.410
975132	31.435	980956	31.453	981624	31.463	981700	31.4113	995053	31.410
975133	31.436	980957	31.453	981625	31.453	981701	31.463	995054	31.410
975134	31.438	980978	31.461	981626	31.455	981702	31.463	995055	31.410
975135	31.439	980979	31.461	981627	31.455	981703	31.463	995057	31.458
975136	31.462	980980	31.461	981628	31.455	981704	31.463	995062	31.411
975137	31.451	980981	31.461	981629	31.455	981737	31.453	995063	31.411
975138	31.451	980982	31.461	981630	31.455	981746	31.4555	995064	31.410
975139	31.449	980983	31.461	981631	31.455	981747	31.4555	995065	31.410
975140	31.449	980984	31.461	981638	31.4555	981748	31.455	995068	31.453
975141	31.449	980985	31.461	981639	31.4555	981749	31.455	995069	31.455
975142	31.449	980986	31.461	981640	31.4555	981750	31.455	995073	31.4555
975143	31.460	980987	31.461	981641	31.4555	981751	31.455	995075	31.463
975144	31.451	980988	31.461	981642	31.4555	981786	31.4555	995077	31.4114
975145	31.446	980989	31.461	981643	31.4555	981787	31.4555	995078	31.4113
975146	31.4558	980997	31.463	981647	31.453	995000	31.458	995080	31.461
975147	31.451	980998	31.463	981652	31.453	995006	31.411	995081	31.461
975148	31.411	981002	31.463	981653	31.453	995007	31.411	995181	31.4555
		981003	31.463						