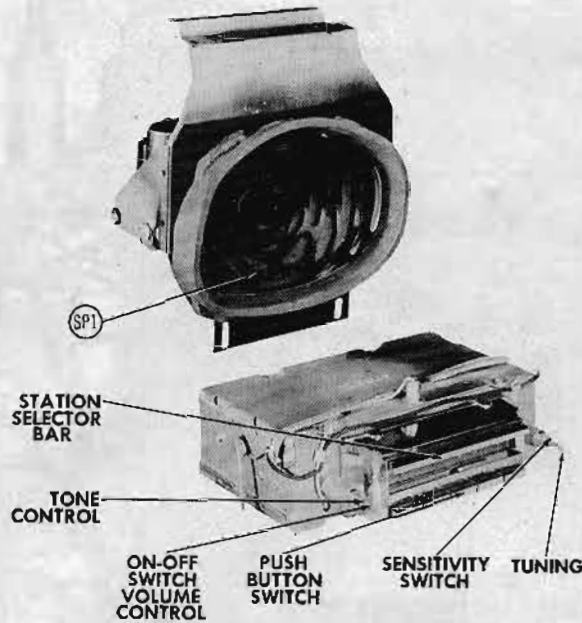




PACKARD MODELS
472047, 472048



PACKARD MODELS
472047, 472048

TRADE NAME	Packard Models 472047, 472048 (For all 1955 Series Packard & Packard Clipper Cars)		
SUPPLIER	Packard Motor Car Co., Detroit 32, Michigan		
TYPE SET	Battery Operated Custom Built AM Superheterodyne Automobile Receiver		
TUBES (Eight)	Types 12BA6 RF Amp., 12BE6 Conv., 12BA6 IF Amp., 12BF6 Det.-AVC-AF Amp., (2) 12V6GT Output, 12AU7 Trigger, 0Z4 Rectifier		
POWER SUPPLY	12 Volt Storage Battery	RATING	3.4 Amp. @ 12.6 Volts DC
TUNING RANGE—BROADCAST	540KC-1600KC		

ALIGNMENT INSTRUCTIONS—READ CAREFULLY BEFORE ATTEMPTING ALIGNMENT

Volume control should be at maximum position. Output of signal generator should be no higher than necessary to obtain an output reading. Use an insulated alignment screwdriver for adjusting.
Set tone control to "treble".
Set sensitivity control to position "2".

DUMMY ANTENNA	SIGNAL GENERATOR COUPLING	SIGNAL GENERATOR FREQUENCY	RADIO DIAL SETTING	OUTPUT METER	ADJUST	REMARKS
1. .1MFD	High side to pin 7 (grid) of 12BE6 (V2). Low side to chassis.	260KC (400vMod)	High frequency end stop	DC probe to point A. Common to chassis.	A1, A2, A3	Adjust for maximum deflection.
2. "	"	"	"	"	A4	Adjust for MINIMUM deflection.
3. 68MMF	High side thru dummy to antenna receptacle. Low side to chassis.	1615KC	"	"	A5, A6, A7	Check A8 (osc. core). Rear of core should be 1 25/32" from mounting end of coil form. Adjust A5, A6 and A7 for maximum deflection.
4. "	"	600KC	Tune to 600KC signal	"	A9, A10	"
5. "	"	1615KC	Tune to 1615KC signal	"	A6, A7	"
6. "	"	1000KC	Tune to 1000KC signal	"		Adjust pointer adjustment screw so pointer reads 1000KC.

With receiver installed and antenna fully extended, tune to weak station between 600KC and 1000KC. Adjust A7 for maximum volume.

PUSHBUTTON ADJUSTMENT

1. Open the hinged door below the dial exposing the selector tabs.
2. Tune in the desired signal nearest the left end of the dial.
3. Move the first selector tab (one farthest left) until it lines up with the pointer tip.
4. Repeat set-up steps 2 and 3 for the remaining selector tabs, choosing stations from left to right on the dial.
5. Check the settings of each selector tab by depressing the corresponding station selector button. If the correct station is not tuned in, readjust the selector tab.

HOWARD W. SAMS & CO., INC. • Indianapolis 5, Indiana

"The listing of any available replacement part herein does not constitute in any case a recommendation, warranty or guaranty by Howard W. Sams & Co., Inc., as to the quality and suitability of such replacement part. The numbers of these parts have been compiled from information furnished to Howard W. Sams & Co., Inc., by the manufacturers of the particular type of replacement part listed."
"Reproduction or use, without express permission, of editorial or pictorial con-

tent, in any manner, is prohibited. No patent liability is assumed with respect to the use of the information contained herein. Copyright 1955 by Howard W. Sams & Co., Inc., Indianapolis 5, Indiana, U. S. of America. Copyright under International Copyright Union. All rights reserved under Inter-American Copyright Union (1910) by Howard W. Sams & Co., Inc." Printed in U. S. of America

PARTS LIST AND DESCRIPTIONS

TUBES (SYLVANIA, GENERAL ELECTRIC, WESTINGHOUSE)

ITEM No.	USE	REPLACEMENT DATA			RETIMA BASE TYPE	NOTES
		PACKARD PART No.	STANDARD REPLACEMENT			
V1	RF Amp.	12BA6	12BA6	7BK		
V2	Conv.	12BE6	12BE6	7CH		
V3	IF Amp.	12BA6	12BA6	7BK		
V4	Del. -AVC.-AF Amp.	12BF6	12BF6	7BT		
V5	Audio Output	12V6GT	12V6GT	7AC		
V6	Audio Output	12V6GT	12V6GT	7AC		
V7	Trigger	12AU7	12AU7	9A		
V8	Rect.	0Z4	0Z4	4R		

ELECTROLYTIC CAPACITORS

ITEM No.	RATING CAP. VOLT.	REPLACEMENT DATA			NOTES
		PACKARD PART No.	MALLOY PART No.	PYRAMID PART No.	
C1A	20	M-808	FP345.8	7M-3086	T-550
B	40				
C	20				

FIXED CAPACITORS

Capacity values given in the rating column are in mfd. for Paper Capacitors, and in mmfd. Mica and Ceramic Capacitors.

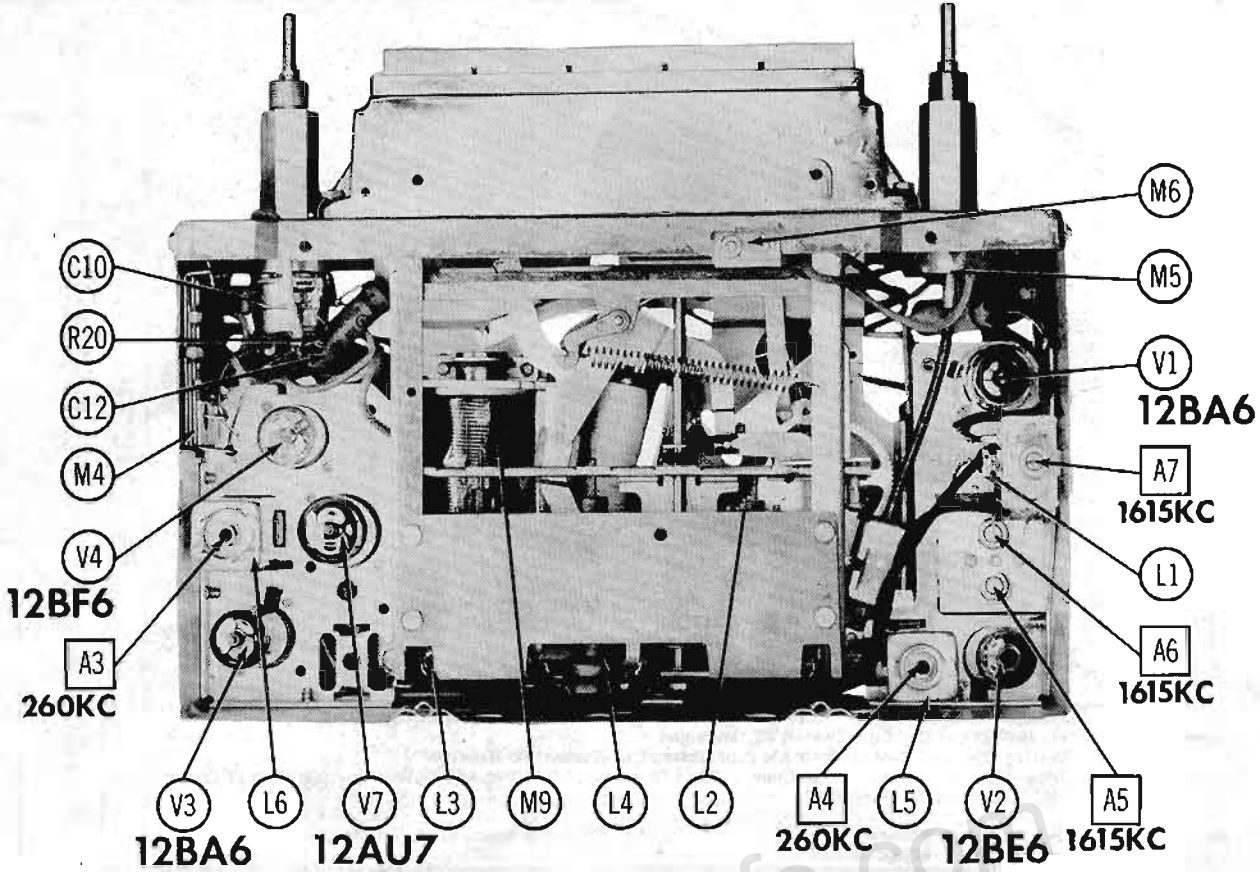
ITEM No.	RATING CAP. VOLT.	REPLACEMENT DATA			NOTES
		PACKARD PART No.	CENTRALAB PART No.	ERIE PART No.	
C2	.05	6512	DP-503	PT415	
C3	.05	6512	DP-503	PT415	
C4	.1	6512	DE-104	PT401	
C5	.68	G-980	TC2-96	NPO-337-680	
C6	.36	G-380			
C7	2.80	7287567			
C8	.05	6512	DF-503	PT415	
C9	100	1218498	TC2-100	MCK235	
C10	68	G-880	TC2-98		
C11	.003	6529	D6-302	PT623	
C12	.002	6529	D6-302	PT623	
C13	.1	6513	DF-104	PT401	
C14	.015	7287719	DD16-153	PT616	
C15	100	G-101	DD-101	UC-631	
C16	.003	H-302	DD16-302	PT1623	
C17	100	1218498	TC2-100	MCK235	
C18	2000	6528	DD-202	DC532	
C19	.5	6592	DD16-702	PT1627	
C20	.007	H-702		RF480	
C21	.47	100		RF480	
C22	.47	100		RF480	

CONTROLS

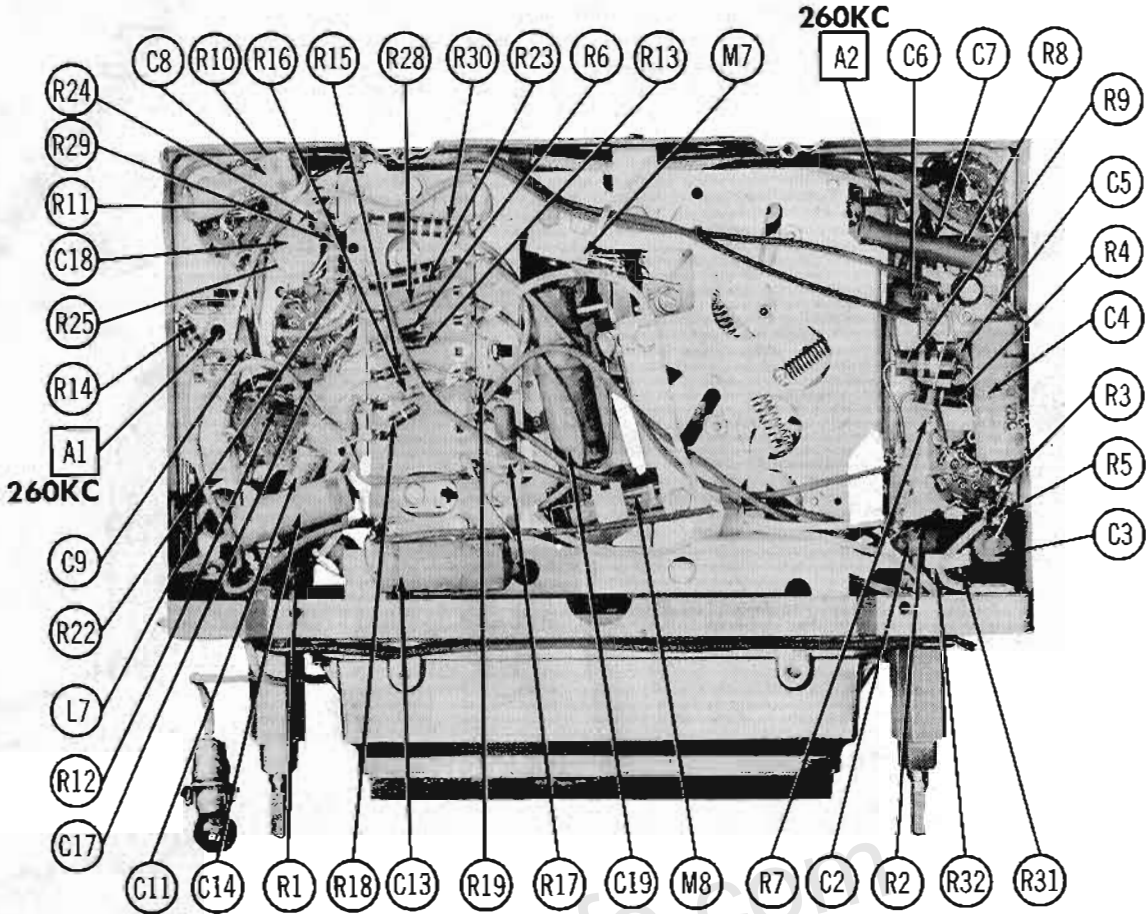
ITEM No.	RATING RESIST. ANCE.	WATTS	REPLACEMENT DATA			INSTALLATION NOTES
			PACKARD PART No.	IRC PART No.	CENTRALAB PART No.	
R1A	500KΩ		7286091	QJ-826A+	UBH4788	Tone (Panel) Volume (Rear) Top at 180KΩ
B	700KΩ					Align to R1B.
C	Switch	1				

*CONCENTRIK EQUIVALENT: K-8 KIT, BASE ELEMENTS AND SEAFITS; B13-139, P14-150 (Panel)
B13-157X, R9-214 (Rear)
529 (Bushing)
76-1 (Switch)

CHASSIS—TOP VIEW



CHASSIS—BOTTOM VIEW



PARTS LIST AND DESCRIPTIONS (Continued)

RESISTORS

ITEM No.	RATING		REPLACEMENT DATA		NOTES
	OHMS	WATT	PACKARD PART No.	IRC PART No.	
R2	2.2Meg		BTS-2.2Meg	BTS-3300	
R3	1Meg		BTS-1Meg	BTS-300K	
R4	100K		BTA-10K	BW1-360 5%	
R5	100K		BTS-100	BTS-120K	
R6	1.5Meg		BTS-1.5Meg	BTA-10K	
R7	330K		BTS-330K	BTA-47K	
R8	225K		BTS-22K	BTS-5.6Meg	
R9	12K		BTA-12K	BTS-220K	
R10	100		BTS-10	BTS-220K	
R11	1500		BTS-150	BTS-750 5%	Note 1
R12	1Meg 5%		BTS-1Meg 5%	BTA-3000	Note 1
R13	1.5Meg 5%		BTS-1.5Meg 5%	BTA-33K 6%	
R14	475K		BTS-47K	BTS-1000	
R15	1Meg		BTS-1Meg	BTS-22K	
R16	2.2Meg		BTS-2.2Meg	BW3-1800	
R17	475K		BTA-47K	BTA-15K	
R18	1000		BTS-1000		

Note 1. Not used in some versions.
 Note 2. Mfr. recommends replacing with 27000 2W resistor and a 56000 1W resistor in parallel.
 (IRC Part No. BW2-2700 & BTA-5600).

TRANSFORMER (VIBRATOR)

ITEM No.	RATING			REPLACEMENT DATA				
	PRI.	SEC. 1	SEC. 2	SEC. 3	PACKARD PART No.	Merit PART No.	Thorndon PART No.	Tried PART No.
T1	12.6VCT @2.06A	580VCT .068A			6086	P-3881	P-6489	22R52

TRANSFORMER (INPUT)

ITEM No.	RATING			REPLACEMENT DATA				
	PRI.	SEC. 1	SEC. 2	SEC. 3	PACKARD PART No.	Merit PART No.	Thorndon PART No.	Tried PART No.
T2	1.8K0CT (R18)				6081			

TRANSFORMER (AUDIO OUTPUT)

ITEM No.	IMPEDANCE		REPLACEMENT DATA			NOTES
	PRI.	SEC.	PACKARD PART No.	Merit PART No.	Thorndon PART No.	
T3	1.0K	8.0	6088	Z100P A-2886	24861	8-15X

SPEAKER

ITEM No.	RATINGS		REPLACEMENT DATA		NOTES
	SIZE	V. C. IMP.	PACKARD PART No.	QUAM PART No.	
SPL	6 x 9"	PM 3.6Ω	7260144	68A3	

PARTS LIST AND DESCRIPTIONS (Continued)

COILS (RF-IF)

ITEM No.	USE	DC RES.		REPLACEMENT DATA				NOTES
		PRI.	SEC.	PACKCARD PART No.	MEISSNER PART No.	MERIT PART No.	MILLER PART No.	
L1	Ant. Coupling Coil		.7Ω	7255738	19-1004		4610	7 Microhenries
L2	Ant. Coil		10.5Ω	7257979				
L3	RF Coil		10.5Ω	7257979				
L4	OSC. Coil		4.3Ω	7263287				
L5	Input IF		42Ω	1219508	16-6752	BC-350	I2-H1	
L6	Output IF		33Ω	1220204	16-6754	BC-354	I2-H6	
L7	Fll. Choke		9Ω	1217646	19-4215		5221	1.4 Microhenries
L8	Vib. Bush Choke		.1Ω	7265389				42 Microhenries

PARTS LIST AND DESCRIPTIONS (Continued)

MISCELLANEOUS

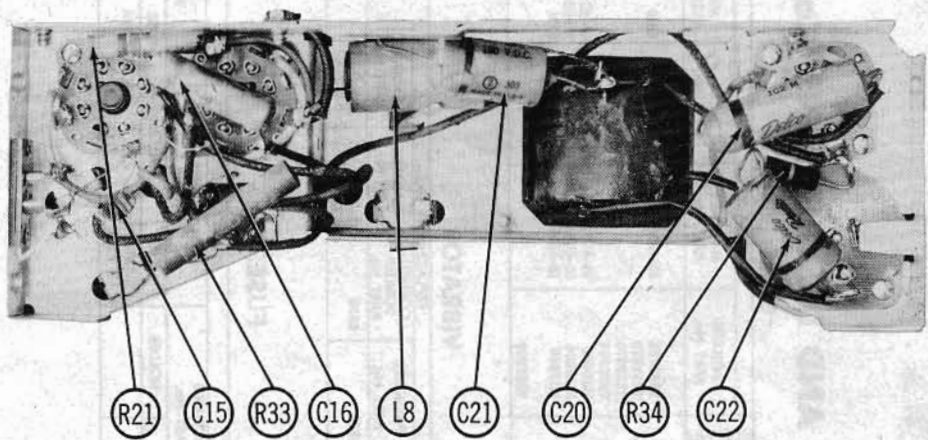
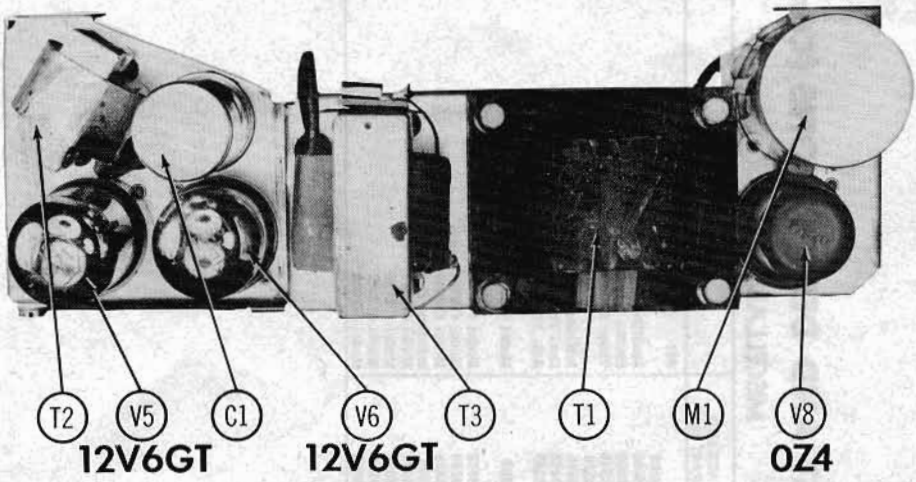
ITEM No.	PART NAME	PACKCARD PART No.	NOTES
M3	Dial Light	1220308	#57
M4	Spark Plate	7266086	Sensitivity
M5	Switch	7265900	Station Selector
M6	Switch	7263340	Tuner Return
M7	Switch	1220326	
M8	Relay	1220685	Includes plunger assy.
M9	Solenoid	7242454	Dual Trimmer (Osc. & RF)
A5, A6	Trimmer Cap.	7266240	Ant. Trimmer
A7	Pushbutton and Slide Assy.	7266118	Model 472047
	Pushbutton and Slide Assy.	7266078	Model 472048
	Dial Glass	7266247	Model 472047
	Dial Glass	7263586	Model 472048
	Selector Tab	1220192	Indicator (Set of 5)
	Pointer Assy.	7265297	Model 472047
	Pointer Assy.	7266074	Model 472048
	Dial	7266124	Model 472047
	Dial	7266085	Model 472048

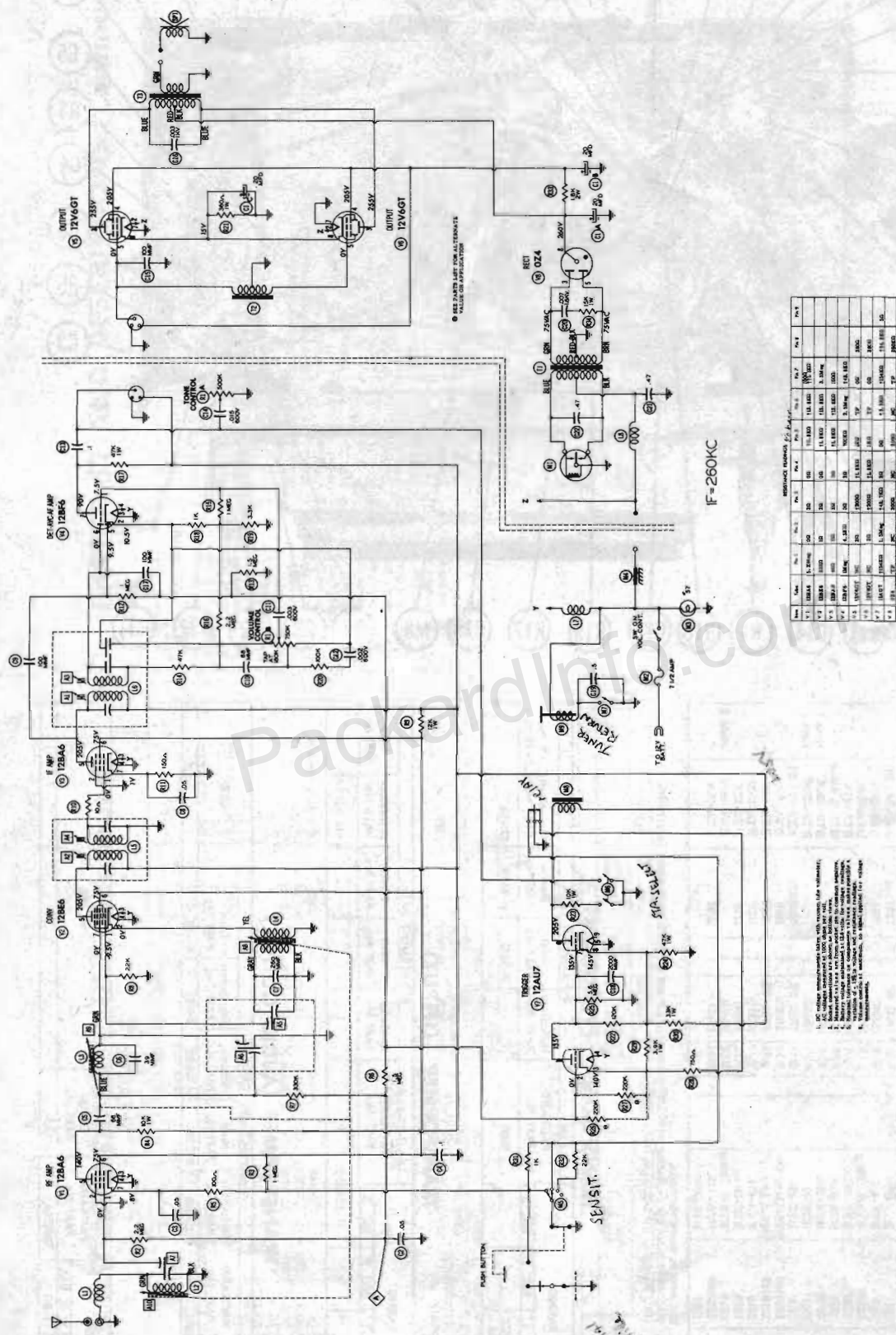
VIBRATOR

ITEM No.	TYPE	INPUT VOLTS	FREQUENCY	REPLACEMENT DATA				NOTES
				CORNELL DUBILIER PART No.	MALLORY PART No.	RADIART PART No.	MERIT PART No.	
M1	Interruption	125V	115 ^h	6330	G-874/ G-883	6330		

FUSES

ITEM No.	TYPE	RATING	REPLACEMENT DATA				
			PACKCARD PART No.	HOLDER	MEISSNER PART No.	MILLER PART No.	
M2	TAG	7 ^h A	455640	HOLDER	30307.5 (7AG 7 ^h A)	AGW 7 ^h A	HOLDER





RESISTANCE VALUES IN OHMS

Part No.	Value	Part No.	Value
1	100K	11	100K
2	100K	12	100K
3	100K	13	100K
4	100K	14	100K
5	100K	15	100K
6	100K	16	100K
7	100K	17	100K
8	100K	18	100K
9	100K	19	100K
10	100K	20	100K

1. DC voltage measurements made with meters of 100 ohm internal resistance.
2. DC voltage measurements made with meters of 100 ohm internal resistance.
3. Resistance values are given in ohms unless otherwise indicated.
4. Resistance values are given in ohms unless otherwise indicated.
5. Resistance values are given in ohms unless otherwise indicated.
6. Resistance values are given in ohms unless otherwise indicated.