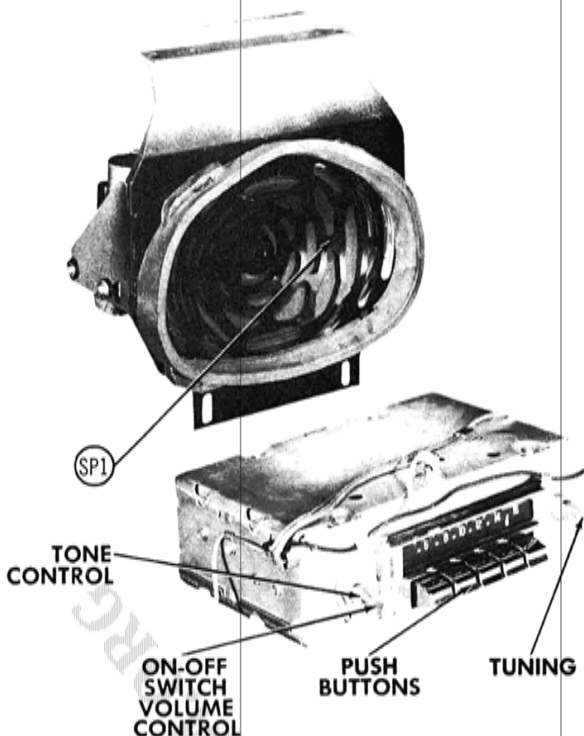




PACKARD
MODEL 472046



PACKARD
MODEL 472046

TRADE NAME	Packard Model 472046	RATING	3.25 Amp. @ 12.6 Volts DC
MANUFACTURER	Packard Motor Car Co., Detroit 32, Mich.		
TYPE SET	Battery Operated Custom Built AM Superheterodyne Automobile Receiver		
TUBES (Seven)	Types: 12BA6 RF Amp., 12BE6 Conv., 12BA6 IF Amp., 12BF6 Det.-AVC-AF Amp., (2) 12V6GT Output, 0Z4 Rectifier		
POWER SUPPLY	12 Volt Storage Battery		
TUNING RANGE—BROADCAST	540KC-1600KC		

ALIGNMENT INSTRUCTIONS—READ CAREFULLY BEFORE ATTEMPTING ALIGNMENT

Volume control should be at maximum position. Output of signal generator should be no higher than necessary to obtain an output reading. Use an insulated alignment screwdriver for adjusting.
Tone control to mid-range.

DUMMY ANTENNA	SIGNAL GENERATOR COUPLING	SIGNAL GENERATOR FREQUENCY	RADIO DIAL SETTING	OUTPUT METER	ADJUST	REMARKS
1. .1MFD	High side to pin 7 (grid of 12BE6 (V2)). Low side to chassis.	262KC (400% Mod)	High freq. end stop	Across voice coil	A1, A2, A3, A4	Adjust for maximum output.
2. 82MMF	Thru dummy to antenna receptacle. Low side to chassis.	1615KC	"	"	A5, A6, A7	Adjust for maximum output after checking A8 (osc. core) should be 1 25/32" between rear of core and mounting end of coil form.
3. "	"	1000KC	Tune to 1000KC signal	"	A9, A10	Adjust for maximum output.
4. "	"	1615KC	High freq. end stop	"	A6, A7	"
5. "	"	900KC	Tune to 900KC signal	"		Set pointer adjustment screw so pointer is at 900KC on dial. With receiver installed and antenna fully extended, tune to weak station between 600KC and 1000KC, adjust A7 for maximum volume.

PUSHBUTTON ADJUSTMENT

- | | |
|--|-------------------------------------|
| 1. Pull pushbutton to right and out. | 3. Push pushbutton all the way in. |
| 2. Tune manually to desired frequency. | 4. Repeat on remaining pushbuttons. |

HOWARD W. SAMS & CO., INC. • Indianapolis 5, Indiana

"The listing of any available replacement part herein does not constitute in any case a recommendation, warranty or guaranty by Howard W. Sams & Co., Inc., as to the quality and suitability of such replacement part. The numbers of these parts have been compiled from information furnished to Howard W. Sams & Co., Inc., by the manufacturers of the particular type of replacement part listed."
"Reproduction or use, without express permission, of editorial or pictorial con-

tent, in any manner, is prohibited. No patent liability is assumed with respect to the use of the information contained herein. Copyright 1955 by Howard W. Sams & Co., Inc., Indianapolis 5, Indiana, U. S. of America. Copyright under International Copyright Union. All rights reserved under Inter-American Copyright Union (1910) by Howard W. Sams & Co., Inc." Printed in U. S. of America

PARTS LIST AND DESCRIPTIONS

TUBES (SYLVANIA, GENERAL ELECTRIC, WESTINGHOUSE)

ITEM No.	USE	REPLACEMENT DATA			RETM A BASE TYPE	NOTES
		PACKARD PART No.	STANDARD REPLACEMENT			
V1	RF Amplifier	12BA6	12BA6	7BK		
V2	Converter	12BE6	12BE6	7CH		
V3	IF Amplifier	12BA6	12BA6	7BK		
V4	Del. -AVC-AF Amp.	12BF6	12BF6	7BT		
V5	Audio Output	12V6GT	12V6GT	7AC		
V6	Audio Output	12V6GT	12V6GT	7AC		
V7	Rectifier	0Z4	0Z4	4R		

ELECTROLYTIC CAPACITORS

ITEM No.	RATING		REPLACEMENT DATA				NOTES
	CAP.	VOLT.	PACKARD PART No.	MALLOY PART No.	PYRAMID PART No.	SANGAMO PART No.	
C1A	20	400	M-908	FP345.8	TM53036	T-550	
B	20	400					
C	20	25					

FIXED CAPACITORS

Capacity values given in the rating column are in mfd. for Paper Capacitors, and in mmfd. Mica and Ceramic Capacitors.

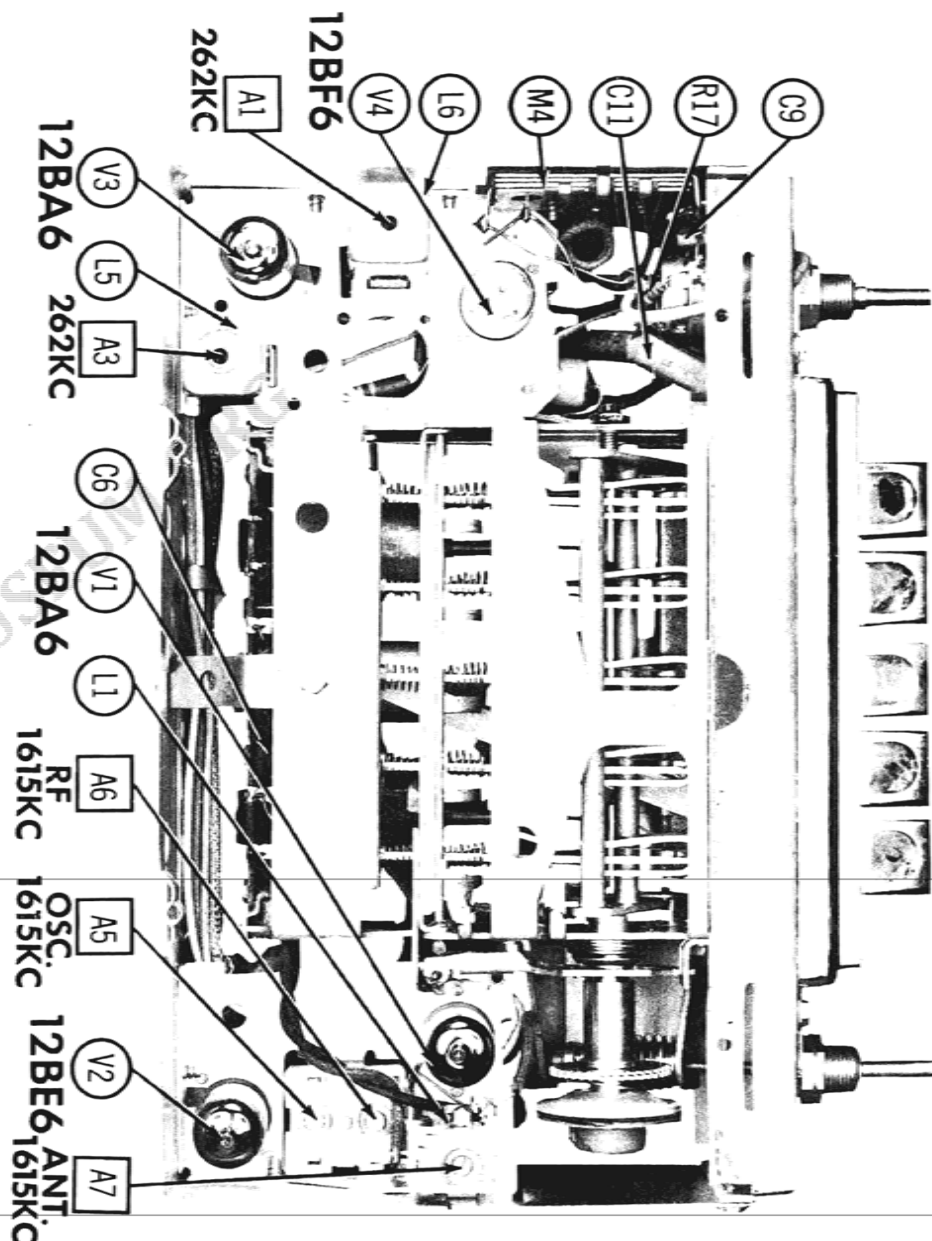
ITEM No.	RATING		REPLACEMENT DATA				NOTES
	CAP.	VOLT.	PACKARD PART No.	CENTRALAB PART No.	ERIE PART No.	MALLOY PART No.	
C2	.05	200	6512	DF-503		PT415	
C3	15		G-150	TCN-15	N750K-150		
C4	39		G-390		N750K-390		
C5	.05	400	6512	DF-503		PT415	
C6	180		7257424				
C7	10	500	G-100	TCZ-10	NP0A-100	MCE215	
C8	.01	400	6510	D6-103	GP3-333-103	PT411	
C9	220	500	G-221	TCZ-220	NP0-335-221		
C10	.002	600	6528	D6-202	GP2-333-202	PT622	
C11	.003	600	6529	D6-302	GP2-333-302	PT623	
C12	.1	400	6513	DF-104		PT401	
C13	100		G-101	DD-101	801-101	UC-531	
C14	.003	1000	H-302	DD16-302	GP2-333-302	PT1623	
C15	.007	1600	H-702	DD16-702		PT1627	
C16	.47	100	7257906			RF480	
C17	.47	100	7257906			RF480	

CONTROLS

ITEM No.	RATING		REPLACEMENT DATA					INSTALLATION NOTES
	RESIST- ANCE	WATTS	PACKARD PART No.	IRC PART No.	CLAROSTAT PART No.	CENTRALAB PART No.	MALLOY PART No.	
RIA	2Meg		7266140	QJ-827A *		F1-68	UF-26A	Tone (Panel)
B	300KΩ					R2-38	UR354-T74	Volume(Rear) tap @60KΩ
C	Bushing					AK-27	EB-214	Attach to R1A
D	Switch					KB-6	US-26T	Attach to R1B

* CONCENTRIKIT EQUIVALENT: K-8 KIT, BASE ELEMENTS & SHAFTS: B13-139, P14-026 (Panel)
B18-132X, R9-112 (Rear)
76-1 (Switch)
S39 (Bushing)

CHASSIS—TOP VIEW



PARTS LIST AND DESCRIPTIONS (Continued)

RESISTORS

ITEM No.	RATING		REPLACEMENT DATA		NOTES	ITEM No.	RATING		REPLACEMENT DATA		NOTES
	OHMS	WATT	PACKARD PART No.	IRC PART No.			OHMS	WATT	PACKARD PART No.	IRC PART No.	
R2	2.2Meg		1239	BTS-2.2Meg		R11	1Meg	1235	BTS-1Meg		Note 1
R3	15K Ω		1253	BTA-15K		R12	1Meg	1235	BTS-1Meg		
R4	68 Ω		1111	BTS-68		R13	2200 Ω	1129	BTS-2200		
R5	1Meg		1235	BTS-1Meg		R14	27K Ω	1256	BTA-27K		
R6	330K Ω		1229	BTS-330K		R15	1000 Ω	1125	BTS-1000		
R7	22K Ω		1215	BTS-22K		R16	820K Ω	1234	BTS-820K		
R8	15K Ω		1277	BTA-15K		R17	82K Ω	1222	BTS-82K		
R9	150 Ω		1115	BTS-150		R18	360 Ω 5%	7234563	BW1-360 5%		
R10	47K Ω		1219	BTS-47K		R19	1800 Ω	1			
						R20	15K Ω	1	1253	BTA-15K	

Note 1. Mfg. states to replace with a 2700 Ω , 2 watt resistor and 5600, 1 watt resistor in parallel.

TRANSFORMER (VIBRATOR)

ITEM No.	RATING				PACKARD PART No.	REPLACEMENT DATA				
	PRI.	SEC. 1	SEC. 2	SEC. 3		Hollidorsen PART No.	Merit PART No.	Stancor PART No.	Thordarson PART No.	Triod PART No.
T1	12.6VCT @2.05A	580VCT .065A					P-2861	P-6489	22R52	

TRANSFORMER (DRIVER)

ITEM No.	RATING				PACKARD PART No.	REPLACEMENT DATA				
	PRI.	SEC. 1	SEC. 2	SEC. 3		Hollidorsen PART No.	Merit PART No.	Stancor PART No.	Thordarson PART No.	Triod PART No.
T2	1.8K Ω CT (RES)				8061 radiomuseum.org				20A29 ①	

① Use as auto type transformer.

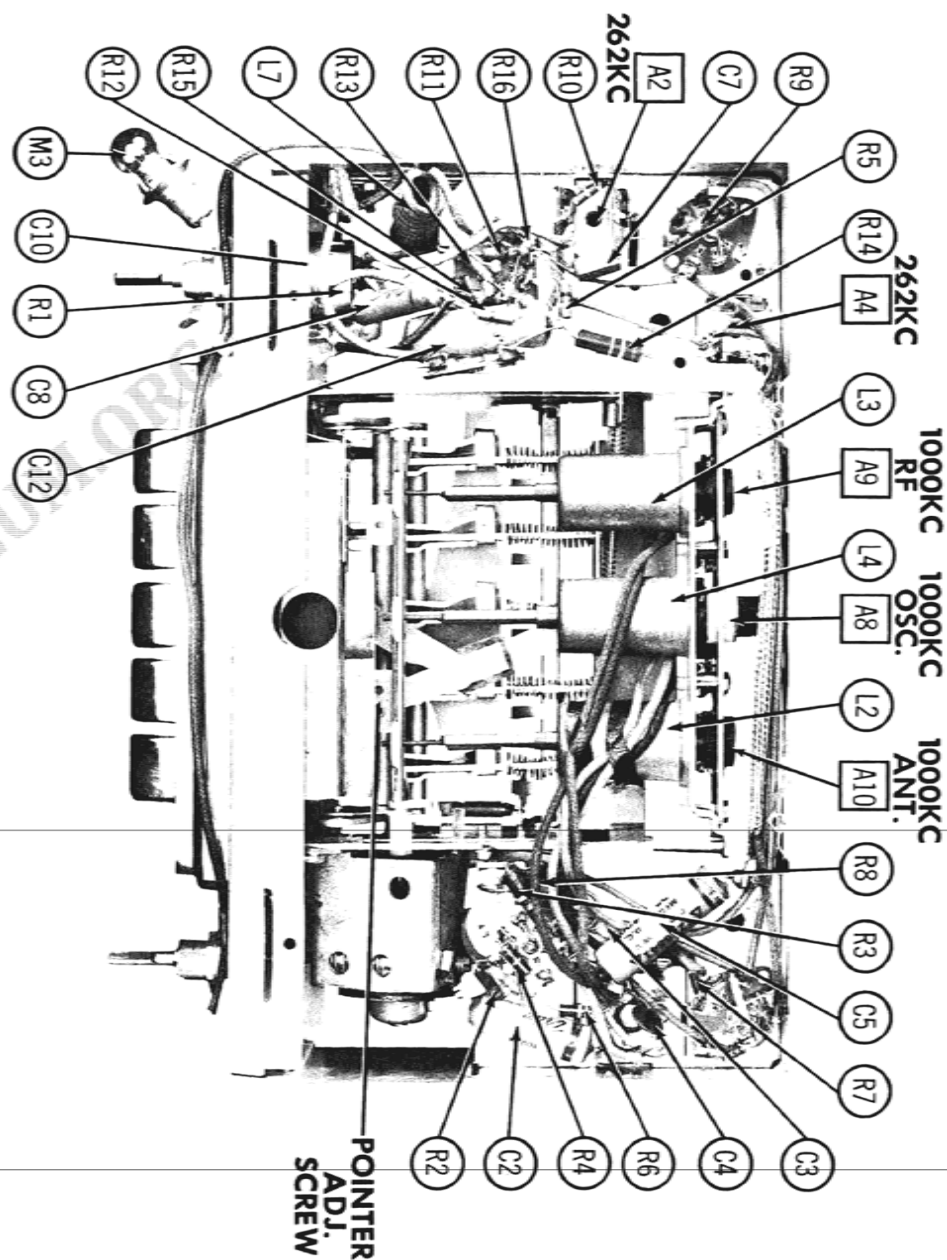
TRANSFORMER (AUDIO OUTPUT)

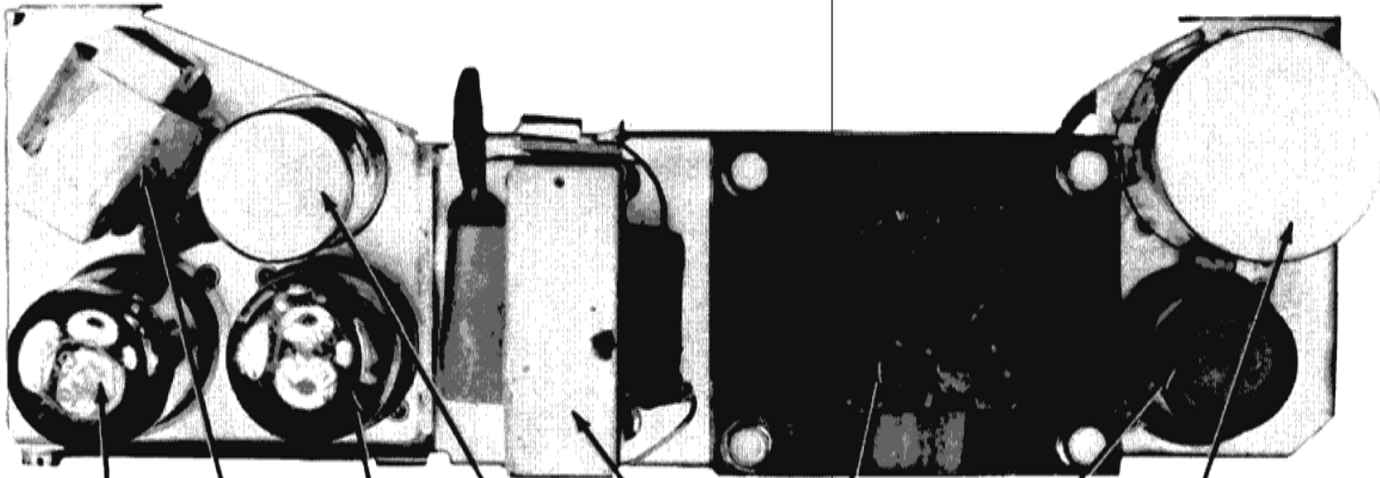
ITEM No.	IMPEDANCE		REPLACEMENT DATA						NOTES
	PRI.	SEC.	PACKARD PART No.	Hollidorsen PART No.	Merit PART No.	Stancor PART No.	Thordarson PART No.	Triod PART No.	
T3	7.9K Ω CT	3.8 Ω	6063	Z1009	A-2936	A-3852	24S61	S-15X	

SPEAKER

ITEM No.	RATINGS			REPLACEMENT DATA		NOTES
	SIZE	FIELD	V. C. IMP.	PACKARD PART No.	QUAM PART No.	
SP1	6 X 8"	PM	3.8 Ω	T266144	6RA3	

CHASSIS—BOTTOM VIEW





V5
12V6GT

T2

V6
12V6GT

C1

T3

T1

V7
OZ4

M1

REPRODUCED FROM THE ORIGINAL

R18

C14

C13

R19

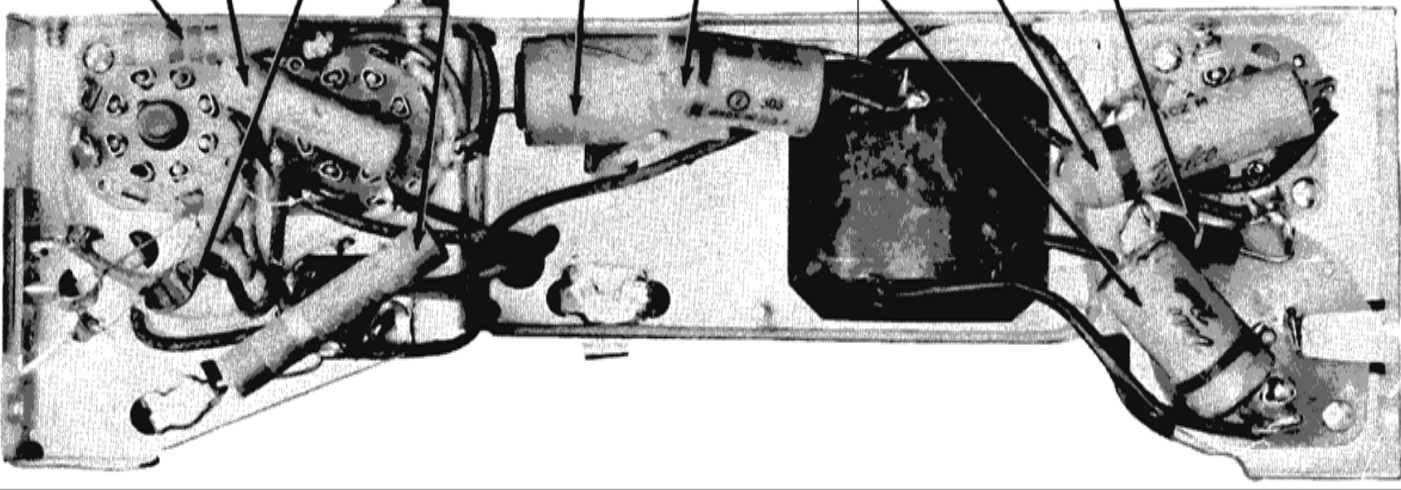
L8

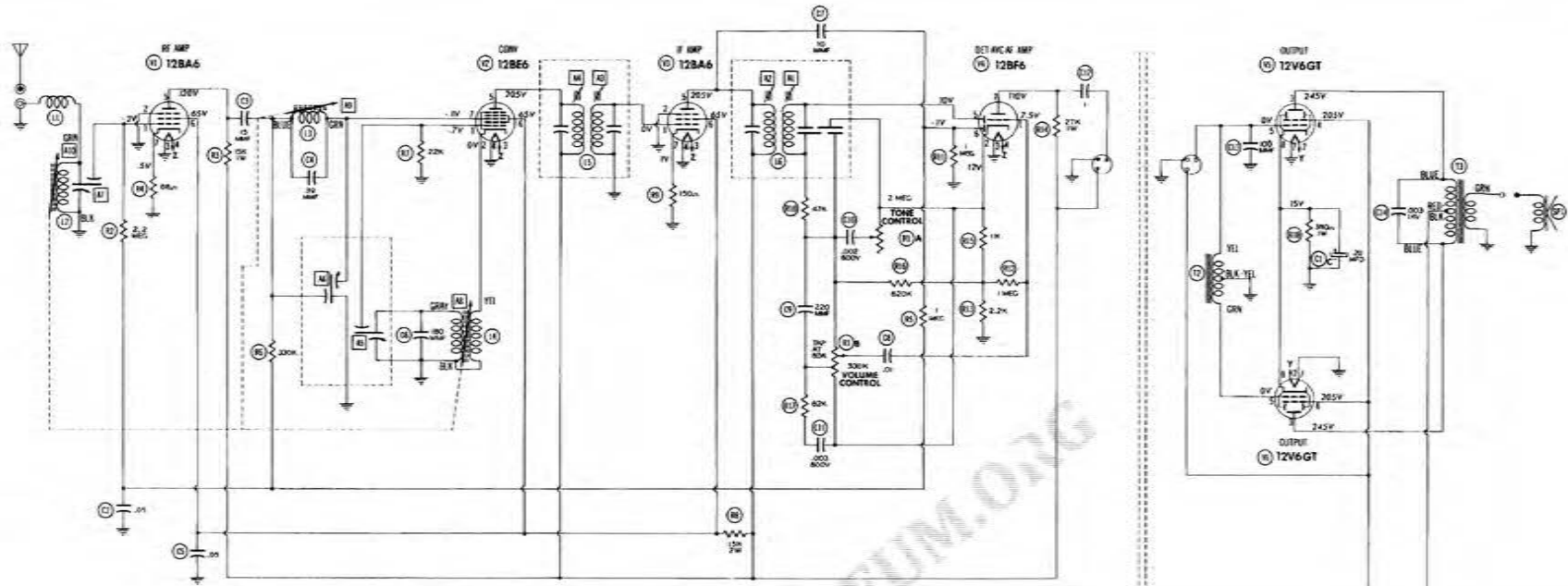
C16

C17

C15

R20





IF=262KC
 THE COOPERATION OF THE MANUFACTURER OF THIS
 RECEIVER MAKES IT POSSIBLE TO BRING YOU THIS SERVICE

RESISTOR READINGS

Part	Value	Part	Value	Part	Value	Part	Value	Part	Value
R-1	20K	R-11	100	R-21	100	R-31	100	R-41	100
R-2	100	R-12	100	R-22	100	R-32	100	R-42	100
R-3	100	R-13	100	R-23	100	R-33	100	R-43	100
R-4	100	R-14	100	R-24	100	R-34	100	R-44	100
R-5	100	R-15	100	R-25	100	R-35	100	R-45	100
R-6	100	R-16	100	R-26	100	R-36	100	R-46	100
R-7	100	R-17	100	R-27	100	R-37	100	R-47	100

- 1. DC - Voltage measurements taken with vacuum tube voltmeter.
- AC - Voltage measured at 1000 cycles per sec.
- 2. Resistor connections are shown as follows: (a) (b) (c) (d) (e) (f) (g) (h) (i) (j) (k) (l) (m) (n) (o) (p) (q) (r) (s) (t) (u) (v) (w) (x) (y) (z) (aa) (ab) (ac) (ad) (ae) (af) (ag) (ah) (ai) (aj) (ak) (al) (am) (an) (ao) (ap) (aq) (ar) (as) (at) (au) (av) (aw) (ax) (ay) (az) (ba) (bb) (bc) (bd) (be) (bf) (bg) (bh) (bi) (bj) (bk) (bl) (bm) (bn) (bo) (bp) (bq) (br) (bs) (bt) (bu) (bv) (bw) (bx) (by) (bz) (ca) (cb) (cc) (cd) (ce) (cf) (cg) (ch) (ci) (cj) (ck) (cl) (cm) (cn) (co) (cp) (cq) (cr) (cs) (ct) (cu) (cv) (cw) (cx) (cy) (cz) (da) (db) (dc) (dd) (de) (df) (dg) (dh) (di) (dj) (dk) (dl) (dm) (dn) (do) (dp) (dq) (dr) (ds) (dt) (du) (dv) (dw) (dx) (dy) (dz) (ea) (eb) (ec) (ed) (ee) (ef) (eg) (eh) (ei) (ej) (ek) (el) (em) (en) (eo) (ep) (eq) (er) (es) (et) (eu) (ev) (ew) (ex) (ey) (ez) (fa) (fb) (fc) (fd) (fe) (ff) (fg) (fh) (fi) (fj) (fk) (fl) (fm) (fn) (fo) (fp) (fq) (fr) (fs) (ft) (fu) (fv) (fw) (fx) (fy) (fz) (ga) (gb) (gc) (gd) (ge) (gf) (gg) (gh) (gi) (gj) (gk) (gl) (gm) (gn) (go) (gp) (gq) (gr) (gs) (gt) (gu) (gv) (gw) (gx) (gy) (gz) (ha) (hb) (hc) (hd) (he) (hf) (hg) (hh) (hi) (hj) (hk) (hl) (hm) (hn) (ho) (hp) (hq) (hr) (hs) (ht) (hu) (hv) (hw) (hx) (hy) (hz) (ia) (ib) (ic) (id) (ie) (if) (ig) (ih) (ii) (ij) (ik) (il) (im) (in) (io) (ip) (iq) (ir) (is) (it) (iu) (iv) (iw) (ix) (iy) (iz) (ja) (jb) (jc) (jd) (je) (jf) (jg) (jh) (ji) (jj) (jk) (jl) (jm) (jn) (jo) (jp) (jq) (jr) (js) (jt) (ju) (jv) (jw) (jx) (jy) (jz) (ka) (kb) (kc) (kd) (ke) (kf) (kg) (kh) (ki) (kj) (kk) (kl) (km) (kn) (ko) (kp) (kq) (kr) (ks) (kt) (ku) (kv) (kw) (kx) (ky) (kz) (la) (lb) (lc) (ld) (le) (lf) (lg) (lh) (li) (lj) (lk) (ll) (lm) (ln) (lo) (lp) (lq) (lr) (ls) (lt) (lu) (lv) (lw) (lx) (ly) (lz) (ma) (mb) (mc) (md) (me) (mf) (mg) (mh) (mi) (mj) (mk) (ml) (mm) (mn) (mo) (mp) (mq) (mr) (ms) (mt) (mu) (mv) (mw) (mx) (my) (mz) (na) (nb) (nc) (nd) (ne) (nf) (ng) (nh) (ni) (nj) (nk) (nl) (nm) (no) (np) (nq) (nr) (ns) (nt) (nu) (nv) (nw) (nx) (ny) (nz) (oa) (ob) (oc) (od) (oe) (of) (og) (oh) (oi) (oj) (ok) (ol) (om) (on) (oo) (op) (oq) (or) (os) (ot) (ou) (ov) (ow) (ox) (oy) (oz) (pa) (pb) (pc) (pd) (pe) (pf) (pg) (ph) (pi) (pj) (pk) (pl) (pm) (pn) (po) (pp) (pq) (pr) (ps) (pt) (pu) (pv) (pw) (px) (py) (pz) (qa) (qb) (qc) (qd) (qe) (qf) (qg) (qh) (qi) (qj) (qk) (ql) (qm) (qn) (qo) (qp) (qq) (qr) (qs) (qt) (qu) (qv) (qw) (qx) (qy) (qz) (ra) (rb) (rc) (rd) (re) (rf) (rg) (rh) (ri) (rj) (rk) (rl) (rm) (rn) (ro) (rp) (rq) (rr) (rs) (rt) (ru) (rv) (rw) (rx) (ry) (rz) (sa) (sb) (sc) (sd) (se) (sf) (sg) (sh) (si) (sj) (sk) (sl) (sm) (sn) (so) (sp) (sq) (sr) (ss) (st) (su) (sv) (sw) (sx) (sy) (sz) (ta) (tb) (tc) (td) (te) (tf) (tg) (th) (ti) (tj) (tk) (tl) (tm) (tn) (to) (tp) (tq) (tr) (ts) (tt) (tu) (tv) (tw) (tx) (ty) (tz) (ua) (ub) (uc) (ud) (ue) (uf) (ug) (uh) (ui) (uj) (uk) (ul) (um) (un) (uo) (up) (uq) (ur) (us) (ut) (uu) (uv) (uw) (ux) (uy) (uz) (va) (vb) (vc) (vd) (ve) (vf) (vg) (vh) (vi) (vj) (vk) (vl) (vm) (vn) (vo) (vp) (vq) (vr) (vs) (vt) (vu) (vv) (vw) (vx) (vy) (vz) (wa) (wb) (wc) (wd) (we) (wf) (wg) (wh) (wi) (wj) (wk) (wl) (wm) (wn) (wo) (wp) (wq) (wr) (ws) (wt) (wu) (wv) (ww) (wx) (wy) (wz) (xa) (xb) (xc) (xd) (xe) (xf) (xg) (xh) (xi) (xj) (xk) (xl) (xm) (xn) (xo) (xp) (xq) (xr) (xs) (xt) (xu) (xv) (xw) (xx) (xy) (xz) (ya) (yb) (yc) (yd) (ye) (yf) (yg) (yh) (yi) (yj) (yk) (yl) (ym) (yn) (yo) (yp) (yq) (yr) (ys) (yt) (yu) (yv) (yw) (yx) (yz) (za) (zb) (zc) (zd) (ze) (zf) (zg) (zh) (zi) (zj) (zk) (zl) (zm) (zn) (zo) (zp) (zq) (zr) (zs) (zt) (zu) (zv) (zw) (zx) (zy) (zz)

