

Packard

**CLIPPER
SERVICE PARTS LIST
1941-1942**

180—CUSTOM SUPER EIGHT

160—SUPER EIGHT

120—EIGHT

110—SIX



Issued January 1945

**PACKARD MOTOR CAR COMPANY
DETROIT, MICHIGAN**

PACKARD CLIPPER SERVICE PARTS LIST - 1941-1942

PACKARD CLIPPER SERVICE PARTS LIST

MODELS

PACKARD SIX	EIGHT	SUPER EIGHT	YEAR
	1951		1941
2000	2001-A	2003-A - 4-5-6-7-8	1942

ISSUED JANUARY 1945

PACKARD MOTOR CAR COMPANY
SERVICE PARTS DIVISION
DETROIT, MICHIGAN

CHASSIS GROUPS	INDEX NO.
BONNET	0.0015 0.0349
BRAKE	1.000 1.611
BUMPERS	2.000 2.017
CLUTCH AND TRANSMISSION	3.000 3.488
ELECTRICAL	4.0001 4.2340
ENGINE	5.0100 5.1930
EXHAUST	6.000 6.108
FENDERS AND RUNNING BOARD	7.000 7.215
FRAME	8.000 8.046
FUEL	9.000 9.048
INSTRUMENT BOARD	10.000 10.129
RADIATOR	11.001 11.306
REAR AXLE	12.000 12.036
SHOCK ABSORBER AND STABILIZER	13.000 13.310
SPRINGS	14.000 14.119
STEERING AND SUSPENSION	15.000 15.518
TOOLS	16.0025 16.012
TRUNK RACK	17.0005 17.0126
UNIVERSAL JOINT AND PROPELLER SHAFTS	18.000 18.048
WHEELS	19.000 19.122
BODY	30.000
NUMERICAL INDEX	

CHASSIS PARTS

MAJOR AND SUB GROUPS	INDEX NO.	MAJOR AND SUB GROUPS	INDEX NO.
BONNET	0.0015	Pistons	5.1400
BRAKE		Snubbers (Engine)	5.15001
Brake Cylinders	1.000	Support	5.1601
Brake, Hand	1.100	Valves	5.1700
Brake Wheel Hub and Drum	1.200	Vibration Damper	5.1800
Brake Pedal	1.300	Water Pump and Fan	5.1901
Brake Shoes	1.400	EXHAUST	
Brake Support Plate	1.500	Muffler	6.000
Brake Tubing	1.600	Pipe	6.100
BUMPER	2.000	FENDERS AND RUNNING BOARDS	
CLUTCH AND TRANSMISSION		Front Fender	7.000
Clutch Assembly	3.000	Rear Fender	7.100
Clutch Control	3.100	Running Boards	7.200
Transmission	3.200	FRAME	8.000
Transmission Change Speed	3.300	FUEL	
Transmission Econo-Drive	3.400	Accelerator	9.000
ELECTRICAL		Carburetor	9.1001
Battery	4.0001	Fuel Pump	9.200
Cigar Lighter	4.0101	Tank	9.300
Clock	4.0200	Tubing	9.400
Distributor	4.03001	A.C. Fuel Pump	9.800
Electromatic Clutch	4.0540	INSTRUMENT BOARD	
Gauges	4.0600	Panels	10.000
Generator	4.07001	Speedometer	10.100
Horn	4.1000	RADIATOR	
Ignition Cable-H.T.	4.1100	Core	11.001
Ignition Coil	4.1200	Shell	11.1005
Lamp Front	4.1300	Shutter	11.2001
Lamp Fender	4.1400	Grille	11.300
Lamp Reading (Inst. Board)	4.1502	REAR AXLE	
Lamp Rear	4.1600	Carrier	12.000
Lamp Tell Tale	4.166	Housing and Shaft	12.023
Speedometer Light	4.1700	SHOCK ABSORBER AND STABILIZER	
Starter	4.1800	Shock Absorber	13.000
Steering Directional Signal	4.21075	Stabilizer	13.1001
Transmission Econo-Drive	4.2200	SPRINGS	
Wiring, Cables and Harness (L.T.)	4.2300	Front Spring	14.000
ENGINE		Rear Spring	14.100
Camshaft	5.0100	STEERING AND SUSPENSION	
Connecting Rod	5.0200	Connecting Rod	15.000
Crankcase Splasher	5.0304	Crank	15.100
Crankshaft	5.0400	Cross Tube	15.200
Cylinder	5.0500	Gear	15.3002
Flywheel	5.0600	Knuckle	15.400
Gaskets	5.0700	Knuckle Support and Arm	15.500
Gear Cover	5.0800	TOOLS	16.0025
Manifolds	5.0900	TRUNK RACK	17.0005
Oil Filler and Filter	5.1000	UNIVERSAL JOINT AND PROPELLER SHAFT	18.000
Oil Pan	5.1100	WHEELS	
Oil Pump	5.1200	Wheels and Tire Cover	19.000
Oil Strainer	5.1300	Wheel Side Carrier	19.105

PACKARD DISTRIBUTERS AND DEALERS

This Parts List Replaces the Preliminary Packard Clipper 1951 Series issued May, 1941 and the Twentieth Series Service Parts List issued August, 1941.

The same Parts Grouping System used in them and the 1935-1941 Parts List is used here.

Parts are arranged under 39 Major Groups and 128 Sub Group Headings. A complete list of these, with the Sub Groups indented, follows. Also shown is the beginning Index Number of each Group.

ORDERING PARTS

Use only standard Distributer's Sundry and Part Order forms, No. VTA-19.

Correct "charge to" and "ship to" names and addresses should be shown on every order.

Give piece number, name and quantity required.

Always advise motor or vehicle number.

State definite shipping instructions, i.e., parcel post, express or freight, etc.

Give explicit instructions as to how cases are to be marked.

Detail ordering instructions as outlined in Trade Letters should be adhered to in all cases.

Parts not listed should be ordered by description.

The 50,000 Index Numbers, shown in parenthesis after some part numbers, are a guide to the various groups in the Utility Section of the 1941 Master Parts Book.

In ordering utility parts please specify finish desired, otherwise we will ship standard parts.

Many special notes appear after the part names showing some of the parts listed herein being used or not used with certain equipment, and these notes should be watched very carefully when ordering from this book.

Determine right and left hand parts from the driver's position when seated in the car.

The Alphabetical Index should be used in this manner: The Cylinder Head Water Outlet Flange Gasket is wanted. Find main group Engine, next the indented sub group Cylinder, then the further indented Head Assembly, under which, indented to show their proper relation to the Head Assembly, will be found the Flange and the Flange Gasket showing group Index Number 5.0509.

A complete Numerical Index is located at the back of this book.

The group index number can easily be located by following the group index numbers shown on the outer top corner of each page.

MODEL 2030 TAXICAB

CHASSIS PARTS:

With some exceptions this is a standard Model 2020 chassis and in compiling this Parts Book only those Taxicab parts that differ from the corresponding Model 2020 parts were listed.

Therefore, when the Index Group covering the Model 2030 Taxi part wanted does not list an item for this model, then use the item listed for Model 2020.

BODY PARTS:

Model 2030 Taxicab Body Parts are shown in the Body Section of this book identified by the Body Type Number 1584.

MODEL 2001A-2003A AMBULANCE AND HEARSE

CHASSIS PARTS:

With some exceptions the Ambulance Chassis and the Hearse Chassis is identical and in compiling this Parts Book only those Ambulance Parts that differ from the corresponding hearse parts were listed.

Therefore, when the Index Group covering the Ambulance Part wanted does not list an item for the Ambulance Chassis, then use the item listed for the Hearse Chassis.

The Ambulance Chassis parts are identified by 2001A Amb. for the Eight and 2003A Amb. for the Super Eight.

The Hearse Chassis parts by 2001A for the Eight and 2003A for the Super Eight.

BODY PARTS:

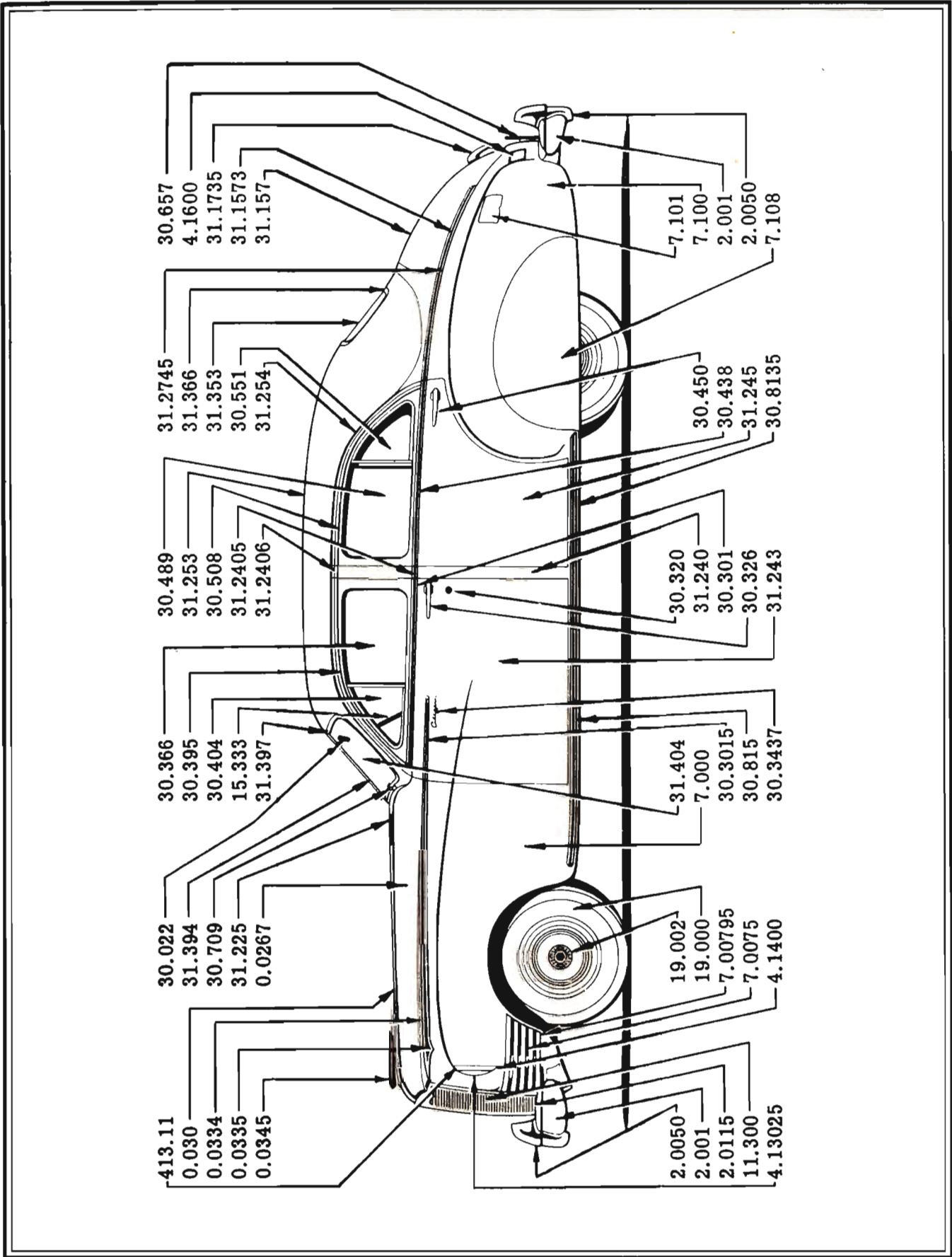
Ambulance and Hearse body parts should be ordered from Henney Motor Company, Freeport, Illinois.

DEFENSE PAINT SCHEMES

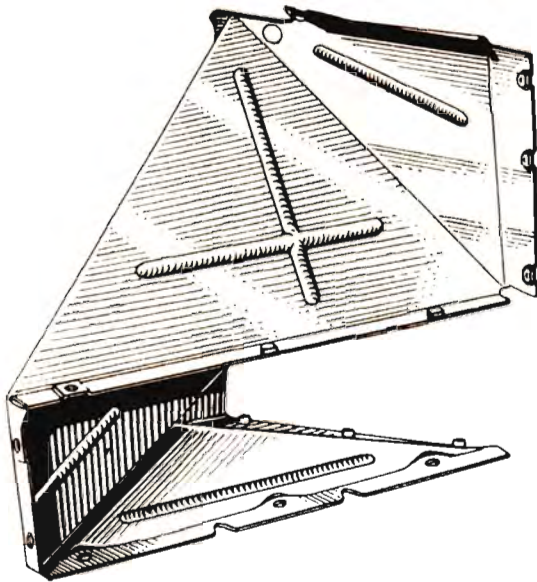
Defense Paint Schemes that replace bright metal trim with painted trim, were used on the Clipper Sedans, Body Types 1502-12-22-72-82-92, built after January 1, 1942 only. (See Trade Letter No. T-3125 - Dealers' TL-326.)

INDEX OF ILLUSTRATIONS AND CHARTS

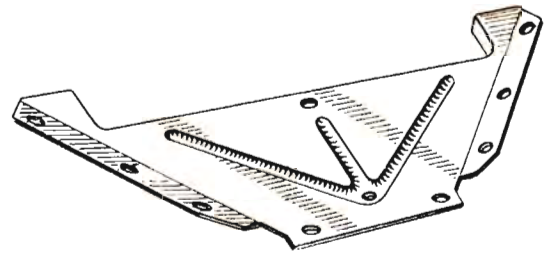
NAME	PAGE NO.	NAME	PAGE NO.
Accelerator	89	Frame (Clipper Type)	85
Accelerator Cross Shaft	90	Front Fender Splashers	G
Body Equipment	156	Front Suspension	133
Body Identification Chart	148	Front Suspension and Steering Cross Tube	136
Brake Master Cylinder and Wheel Cylinder	7	Front Suspension - Front View (Clipper Type)	130
Brake Support Plate	9	Front Suspension - Top View (Clipper Type)	134
Brake System	6	Fuel Pump	101
Bumper - Front and Rear	12	Instrument Board	104
Car Exterior View	E	Lamp Front	55
Carter Carburetor - (Six)	92	Lamps - Front - Fender and Rear	56
Carter Carburetor - (Eight)	94	Muffler and Exhaust Pipe	77
Carter Carburetor (Super Eight)	96	Paint and Trim Reference Chart (1951 Series)	147
Clutch Assembly	16	Paint and Trim Reference Chart (20th Series)	149
Clutch Linkage	21	Radiator Splashers	F
Clutch Linkage (Clipper Type)	20	Rear Axle Differential Carrier Assembly	113
Clutch Plates	17	Rear Quarter Window Wing	197
Cowl Ventilator	192	Rear Spring	122
Door Windows and Regulators	163	Rear Spring Leaf Separator Chart	121
Econo-Drive Unit	35	Rear Spring Shackle	123
Econo-Drive Unit - Detail Parts	37	Rear Wheel Group	114
Econo-Drive Unit - Rear View	36	Shock Absorber - Front	119
Electrical Horn	52	Shock Absorber - Rear	120
Electrical Ignition Coil	53	Steering Cross Tube Assembly	126
Electrical Distributor	42	Steering Cross Tube (Clipper Type)	125
Electrical Generator	49	Steering Gear	127
Electrical Starter Motor	61	Steering Post Shifting Linkage	30
Electrical Switches	40	Transmission	25
Electrical Window Regulator	176	Transmission Rear Cover Assembly	26
Electromatic Clutch	18	Transmission Steering Column Shift	29
Electromatic Clutch Valve Assembly	19	Trim Assembly	200
Electromatic Clutch Valve Assembly (Bendix Parts) ..	45	Trim Reference Chart	150
Engine Front - Sectional View	68	Universal Joint Assembly (Clipper Type)	139
Engine Side - Sectional View	66	Universal Joint Shaft Assembly	140
Engine Side - Front Half - Sectional View	67	Universal Intermediate Joint (Double)	141
Frame	86	Windshield Wiper	180
		Windshield Wiper (Clipper Type)	179



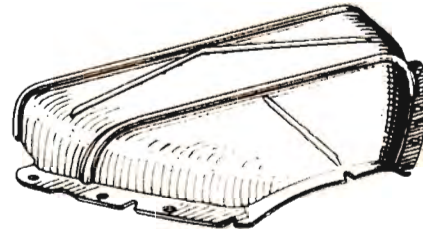
CAR EXTERIOR VIEW



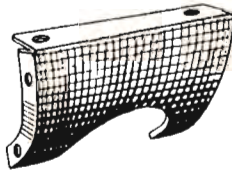
379263-R.H. 379262-L.H.



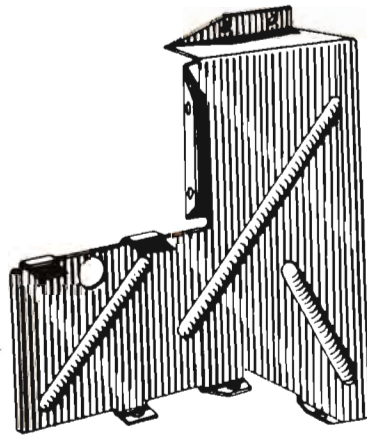
378735



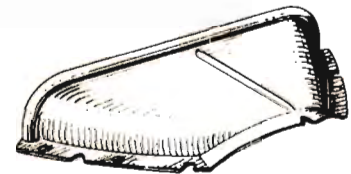
379049
371304



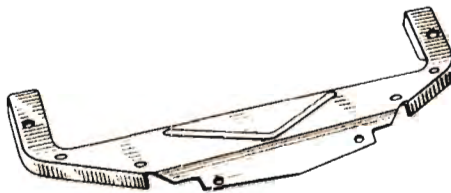
373524



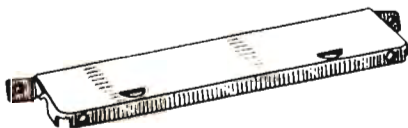
379727-R.H. 379726-L.H.



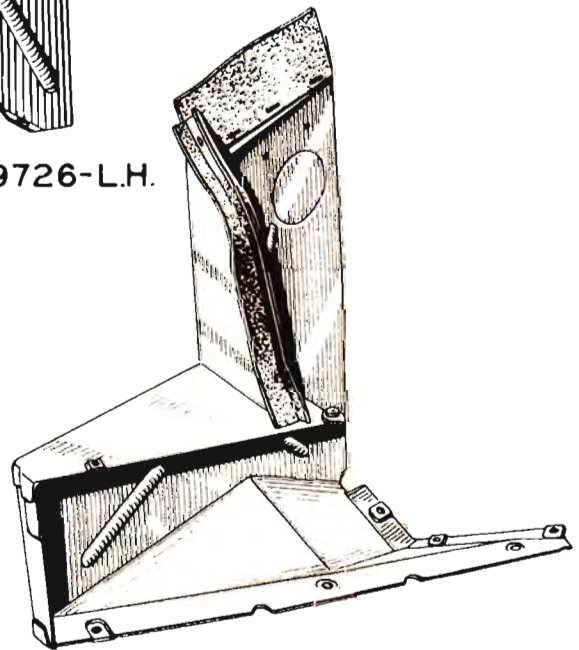
379050



378695



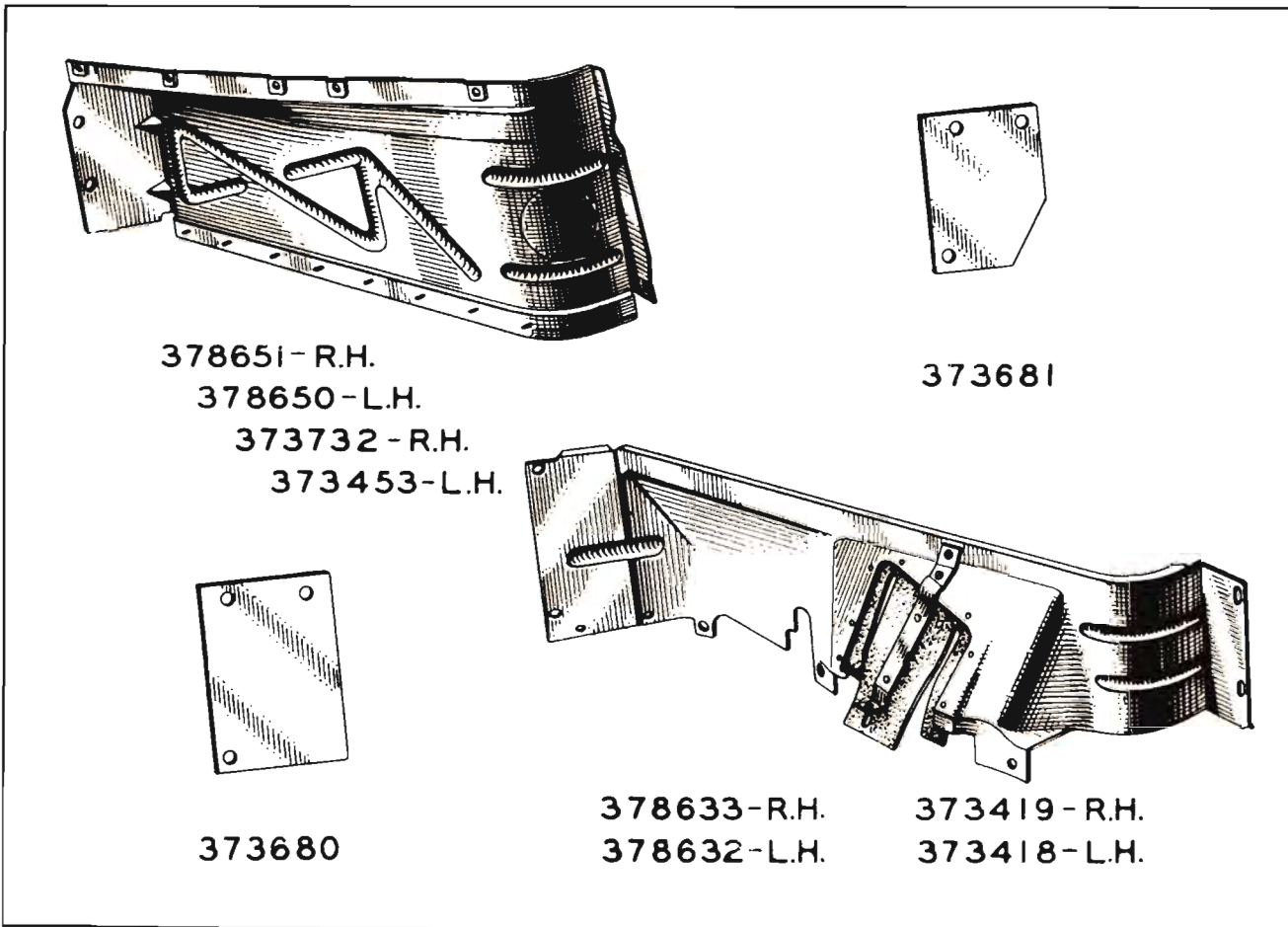
378806



378800-R.H. 378799-L.H.

INDEX NO. 11.000 - RADIATOR SPLASHERS - MODELS 2000-1-3-6-10-11

For Description Refer To Illustration On Front Fender Splashes Index Code 7.000



INDEX NO. 7.000 - FRONT FENDER SPLASHERS - MODELS 2000-1-3-6-10-11

For Radiator Splashes Refer To Illustration Index Code 11.000

In the front end of our Clipper Models, underneath the front fenders and behind the grille, there are several stampings which are difficult to describe accurately. To assist the stock man in ordering repair parts, we are showing sketches of the different panels, splashers, etc., with the correct name and number for the different models.

INDEX NO.	PART NO.	DESCRIPTION	MODELS
11.3056	373524	Radiator Grille (Lower) Finish Panel	1951 - 2000 - 2001 - 2003 - 2006
11.108	373508	Radiator Splasher - Lower	1951
11.108	378695	Radiator Splasher - Lower	2000 - 2001
11.108	378735	Radiator Splasher - Lower	2003 - 2006
11.108	371226	Radiator Splasher Side Right	1951
11.108	378800	Radiator Splasher Side Right Assembly	2000 - 2001
11.108	379263	Radiator Splasher Side Right Assembly	2003 - 2006
11.108	371225	Radiator Splasher Side Left	1951
11.108	378799	Radiator Splasher Side Left Assembly	2000 - 2001
11.108	379262	Radiator Splasher Side Left Assembly	2003 - 2006
11.108	379727	Radiator Splasher Side Baffle Right	2001
11.108	379726	Radiator Splasher Side Baffle Left	2001
11.108	371300	Radiator Splasher Top	1951
11.108	371304	Radiator Splasher Top Assembly	2003 - 2006
11.108	379049	Radiator Splasher Top Assembly	2000
11.108	379050	Radiator Splasher Top Assembly	2001
11.108	378806	Radiator Splasher Lower Filler Assembly	2000
7.011	378633	Front Fender Splasher (Lower) Right Assembly	2000 - 2001
7.011	373419	Front Fender Splasher (Lower) Right Assembly	1951 - 2003 - 2006
7.011	378632	Front Fender Splasher (Lower) Left Assembly	2000 - 2001
7.011	373418	Front Fender Splasher (Lower) Left Assembly	1951 - 2003 - 2006
7.011	378651	Front Fender Splasher (Upper) Right Assembly	2000 - 2001
7.011	373732	Front Fender Splasher (Upper) Right Assembly	1951 - 2003 - 2006
7.011	378650	Front Fender Splasher (Upper) Left Assembly	2000 - 2001
7.011	373453	Front Fender Splasher (Upper) Left Assembly	1951 - 2003 - 2006
7.0116	373680	Front Fender Splasher (Lower) Extension	2000 - 2001
7.0116	373681	Front Fender Splasher (Lower) Extension	1951 - 2003 - 2006

CHASSIS ALPHABETICAL INDEX

ACCELERATOR

Lever, Relay	9.018
Bracket	9.019
Push Rod	9.020
Shaft and Bracket Assy ..	9.0206
Pedal	9.012
Hinge Bracket	9.013
Push Rod	9.014
Retracting Spring	9.016
Shaft Assembly, Cross	9.000
Bracket	9.003
Foot Pedal Lever	9.006
Operating Lever	9.007
Relay Lever Assembly ...	9.008
Retracting Spring	9.010
Throttle Lever	9.005

BONNET

Bumper	0.0015
Dowel	0.0016
Guide Pin	0.0025
Lock	0.007
Clamp	0.0071
Bracket	0.0072
Pin	0.00745
Rod (Operating)	0.0073
Spring	0.0074
Spring	0.00746
Handle	0.008
Handle (Clipper Type) ..	10.0110
Bracket	10.0112
Knob	10.0114
Link	10.0116
Grommet	10.0117
Pin	10.0018
Pivot Bumper	0.0090
Prop & Pivot Assy	0.0091
Safety Catch Assy	0.0096
Anti-Rattler	0.0097
Spring	0.0098
Side Assembly	0.011
Louvre Assembly	0.016
Top Assembly	0.028
Moulding (Center)	0.030
Moulding (Side)	0.334
Barb	0.335
Cup Washer	0.03355
Screw	0.0336
Ornament	0.0345
Weatherstrip	0.348

BRAKE

Drum and Hub Assembly	1.200
Damper Spring	1.201
Inspection Hole Cover ..	1.203
Fluid	1.000
Hand Brake	1.100
Equalizer Lever	1.100
Bushing	1.101
Plate	1.102
Retracting Spring	1.103
Lever Assembly	1.105
Cable Assembly	1.108
Pawl	1.118
Release Lever	1.119
Spring	1.120
Sector	1.121
Rear Wheel Cable	1.123
Bracket	1.125
Master Cylinder Assy	1.0005
Cylinder & Plug Assy ...	1.001
Boot	1.002
Check Valve Assy	1.004
Filler Plug Assembly ...	1.008
Gasket	1.008
Head	1.009
Outlet Connection	1.010
Piston Assembly	1.011
Return Spring & Retainer	1.016
Repair Kit	1.019

BRAKE (CONT'D)

Secondary Cup	1.020
Ring	1.021
Shield	1.022
Pedal	1.300
Boot	1.301
Connecting Rod	1.302
Pin	1.303
Cover (Toe Board)	3.170
Pad	1.304
Retracting Spring	1.305
Tread	1.306
Shoe Assembly	1.400
Adjusting Screw	1.401
Socket	1.402
Spring	1.403
Anchor Pin	1.405
Plate (Guide)	1.406
Spring	1.407
Eccentric Assembly	1.408
Hold Down Spring	1.409
Cup	1.410
Spring Pin	1.411
Lining - (Sets)	1.412
Spring	1.413
Strut	1.414
Spring	1.416
Support Plate (Front) ...	1.500
Support Plate (Rear)	1.501
Adjusting Hole Cover ...	1.502
Water Seal	1.5035
Spring	1.504
Tubing	1.600
Front Cross Tube	1.600
Front End Junction to Brake Hose	1.601
Front End Junction to Rear Axle Junction ..	1.602
Master Cylinder to Front End Junction	1.603
Master Cylinder to Rear Axle Junction	1.604
Rear Axle Junction to Rear Wheel	1.605
Wheel Cylinder Assembly ..	1.023
Cylinder	1.0231
Bleeder Screw	1.0232
Boot	1.024
Cup	1.026
Spring	1.027
Piston	1.028
Repair Kit	1.029
Tube Connector	1.030

BUMPER ASSY. (Front & Rear)

Bar	2.000
Grommet	2.001
Guard Assembly	2.002
Bolt	2.005
Spacer	2.0015
License Plate Bracket ...	2.009
Stone Shield	2.014
Liner	2.0115
Seal	2.0118
Support Bar (Front)	2.0119
Support Bar (Rear)	2.012
Support Bar (Rear)	2.013

CLUTCH ASSY.

Bearing & Sleeve Assy. (Shifter Thrust)	3.148
Cover Assy. (Toe Board Clutch & Brake Pedal) .	3.170
Insulators	3.172
Fulcrum (Booster Pedal) ..	3.100
Lever (Release)	3.014
Pin	3.015
Roller	3.016
Yoke	3.018
Lever (Shifter Relay)	3.128

CLUTCH ASSY. (CONT'D)

Adjuster (To Shifter Lever Rod)	3.130
Bearing	3.133
Boot	3.135
Pin	3.137
Pivot (To Frame)	3.138
Rod (To Pedal)	3.140
Rod (To Shifter Lever) ..	3.141
Support Assy. (Universal Joint Shaft)	3.147
Lever & Ball Assy. (Shifter)	3.118
Boot Assy.	3.125
Bracket (Bearing Anchor)	3.120
Spacer (Bearing Shaft)...	3.121
Rod (To Relay Lever)	3.127
Pedal	3.109
Bearing	3.110
Boot	3.112
Cover (Toe Board)	3.170
Pad Assembly	3.114
Rod (To Relay Lever)	3.116
Rubber	3.1165
Set	3.1166
Spring (Retracting)	3.115
Plate Assembly, Cover	3.000
Plate & Hub Assy. Driven	3.005
Facing	3.007
Refacing Kits	3.0105
Spring, hub	3.010
Washer, friction	3.009
Plate, pressure	3.011
Spring	3.012
Button (insulator)	3.013
Shaft, Clutch & Brake Pedal	3.104
Bracket	3.105
Spring (retaining)	3.108
Spring (Booster)	3.101
Bracket & Brace Assembly.	3.102
Link	3.103

CLUTCH CONTROL

Clutch Booster	
Fulcrum (pedal)	3.100
Spring	3.101
Bracket & Brace Assy ..	3.102
Link	3.103
Governor	4.0550
Boot	4.0551
Cover & Switch	4.05515
Lock Plate	4.0552
Pinion	4.0553
Sleeve	4.0554
Pedal	3.109
Bearing	3.110
Boot	3.112
Pad Assembly	3.114
Rod (to relay lever)	3.116
Rubber Set	3.1166
Spring (retracting)	3.115
Shaft	3.104
Bracket	3.105
Spring (retaining)	3.108
Toe Board Cover Assembly.	3.170
Insulator	3.172
Relay	4.0556
Fuse (To Starter Motor Cable)	4.0557
Shifter Lever	3.118
Bearing Roller	3.1205
Boot Assembly	3.125
Rod (To Relay Lever)	3.127
Shifter Relay Lever Assy...	3.128
Adj. (To Shifter Lever Rod)	3.130
Bearing	3.133
Boot	3.135
Pin	3.137

CHASSIS ALPHABETICAL INDEX

CLUTCH CONTROL (CONT'D)

Pivot (To Frame)	3.138
Rod (To Pedal)	3.140
Pin	3.1405
Spring	3.1407
Rod (To Shifter Lever) ..	3.141
Universal Joint Shaft ...	3.144
Support Assembly	3.147
Shifter Thrust Bearing & Sleeve Assembly	3.148
Vacuum Cylinder Assembly ..	3.1492
Bracket	3.1493
Pin	3.1494
Rod (To Clutch Shifter Relay Lever)	3.1496
Pin	3.1497
Support Spring	3.1498
Valve Assembly	3.150
Air Cleaner	3.152
Hose	3.153
Tube Assy (To Trans- mission-2nd. Speed Choke Valve & Solenoid)	3.155
Diaphragm Spring	3.157
Hose (To Vacuum Cylinder)	3.168
Lever (Operating Link) ..	3.163
Solenoid (Low & Reverse).	4.05585
Support Plate Assembly ..	3.166
Tube Assy (To Intake Manifold)	3.159
Tube Assy (To Trans. 2nd. Speed Choke Valve & Solenoid)	3.167

ELECTRICAL

Battery	
Cable Asb. (To Ground) ...	4.0001
Terminal	4.0002
Cable Asb. (To Starter) ..	4.0003
Carrier	4.0005
Clamp	4.0007
Support Asb.	4.0008
Stud	4.0009
Cigar Lighter Asb.	
Base Asb.	4.0101
Cable Asb.	4.0102
Tip & Knob Asb.	4.0104
Tip	4.0105
Clock	4.0200
Bezel	4.0201
Cable Asb.	4.0202
Case Asb.	4.0205
Dial Asb.	4.0206
Distributor	4.0300
Breaker Point Set	4.0305
Condenser	4.0307
Vacuum Control Tube Asb (To Carburetor)	4.0312
Detail Parts	
Base Asb.	4.0402
Cap Asb.	4.0416
Drive Shaft Asb.	4.0432
Drive Shaft & Governor Asb.	4.0431
Rotor	4.0442
Vacuum Chamber	4.0446
Electromatic Clutch	
Cable Asb., Ign. Coil Switch (To Lockout Switch)	4.12056
Choke Valve & Solenoid Asb. Trans. Second Speed	4.0575
Governor (Clutch Control Unit)	4.0550
Boot	4.0551
Cover & Switch Asb. ...	4.05515
Lock Plate	4.0552
Pinion	4.0553

ELECTRICAL (CONT'D)

Sleeve	4.0554
Snap Ring	4.0555
Harness Asb.	4.2320
Grommet (To Dash)	4.2325
Relay, Clutch Control	
Unit	4.0556
Container (To Starter Motor Cable & Fuse).	4.0558
Fuse (To Starter Motor Cable)	4.0557
Solenoid, Clutch Valve (Low Reverse)	4.05585
Solenoid Trans.	
Direct Speed)	4.0569
Switch	4.0570
Solenoid Switch, Trans.	
First & Reverse	4.0574
Switch (Auxiliary)	4.0540
Switch & Bracket Asb.	
Inst. Board Lockout.	4.0560
Cable & Conduit Asb. ...	4.0561
Nut	4.0562
Gasket	4.0563
Cable Asb. (To Relay) ..	4.0564
Valve Assembly	
Bendix Elec. Parts	4.0577
Gauge Asb. (Gas Tank)	4.0600
Gauges (Instrument Board)	
Ammeter	4.0603
Gasoline	4.0614
Light Cables & Sockets	
Asb.	4.0616
Oil	4.0621
Sending Unit (Cylinder)	4.0622
Gasket (Cylinder)	4.0628
Temperature	10.0915
Generator Asb.	4.07001
Adjusting Strap	4.0701
Bracket	4.0702
Brush Set	4.0705
Current & Voltage	
Regulator	4.0703
Detail Parts	
Armature Assembly	4.0935
Drive End Head Asb.	4.0941
Field Coil Asb.	
(Complete)	4.0901
Horn & Bracket Asb.	4.1000
Bracket Asb.	4.1002
Motor Asb.	4.1010
Cover	4.1011
Projector Front Housing & Bell	4.1015
Relay	4.1016
Horn Button & Emblem Asb.	
Cable Asb.	4.1021
Emblem	4.1024
Pivot	4.1031
Plate (Contact)	4.10394
Ring	4.1039
Button & Emblem	4.1037
Contact Plate	4.1022
Emblem	4.1039
Emblem	4.1038
Ignition Cable	4.1106
Cable Set	4.1100
Cable (Coil To Dist.) ..	4.1102
Ignition Coil & Switch Asb	
Bracket Asb.	4.1200
Switch Lock Cylinder ...	4.1201
Key	4.1206
Key	4.1207
Ignition Spark Plug	4.1105
Cable Assembly	4.1106
Nut	4.1113
Lamp Fender	4.1400
Body	4.1401
Bulb	4.14015
Lens	4.1407
Lamp Front	4.1300

ELECTRICAL (CONT'D)

Body	4.1301
Bulb	4.13025
Cable Assembly	4.1305
Door	4.1311
Lamp Reading	
Bulb	4.1502
Signal Light Bulb	4.1517
Switch Assembly	4.1509
Lamp Rear	4.1600
Body	4.1602
Bulb	4.16055
Socket	4.1608
Support Plate & Cable Assy	4.1606
Cable Assembly	4.1611
Door	4.1620
Glass	4.1622
Gasket	4.1623
Fuse Container & Cable	
Assy	4.1642
Jewel	4.1629
Stop Light Switch	4.1646
Speedometer Light	
Bulb	4.1700
Socket Assembly (Direc- tion Signal Indi- cator Light)	4.17007
Starter Motor	4.1800
Detail Parts	4.2000
Steering Direction Signal	
Switch & Cable Assy ...	4.21082
Connector	4.21084
Flasher	4.21086
Fuse	4.21088
Cable & Cap Assy ..	4.21089
Cable & Container Assy	4.2109
Lever Assembly	4.21092
Pin (Shut-Off)	4.21094
Wiring Harness Assy .	4.21096
Transmission Econo-Drive	
Accelerator Solenoid Switch	4.2200
Bracket	4.2201
Relay Assy	4.2216
Instrument Board Panel	
Bulb (Indicator) ...	4.22105
Lockout Switch	4.2223
Lock	4.2224
Solenoid Assembly	4.2228
Base	4.2229
Starter Motor Cable Assy (To Wiring Harness) .	4.2227
Wiring Harness Assy ...	4.2208
Wiring	
Ground (Engine To Frame).	4.23005
Harness Assy	4.2320
Ignition Coil Cable Assy (To Distributor) ...	4.2340
ENGINE	5.0000
Camshaft	5.0100
Bearing	5.0101
Chain	5.0105
Spacer	5.0110
Sprocket	5.0111
Carburetor Assembly	9.1001
Air Cleaner Assembly ..	9.102
Connecting Rod Assy (Throttle)	9.114
Detail Parts (For Carter)	9.144
Gasket Set	9.101
Repair Kit	9.1135
Connecting Rod & Bushing	
Assy	5.0200
Bearing Assembly	5.0203
Bolt	5.0201
Bushing (Piston Pin) ..	5.0204
Crank Shaft	5.0400

CHASSIS ALPHABETICAL INDEX

ENGINE (CONT'D)		ENGINE (CONT'D)		EXHAUST (CONT'D)	
Bearing Assembly	5.0402	Cap	5.1001	Clamp	6.005
Bearing Set	5.0401	Oil Filter	5.1009	Extension	6.106
Cap	5.0403	Bracket	5.1010	FENDER	
Screw	5.0404	Tube	5.1015	Fender Assembly, Front	7.000
Oil Seal	5.0407	Oil Pan Assembly	5.1100	Brace	7.002
Oil Seal (Rear)	5.0408	Gasket Set	5.1101	Insulator	7.003
Sprocket	5.0410	Oil Lever Indicator		Bracket	7.005
Cylinder		Assembly	5.1102	Gravel Shield	7.0071
Cylinder & Piston Assy .	5.0500	Oil Pump Assembly	5.1200	Brace	7.0072
Head Assembly	5.0503	Body	5.1202	Grill	7.0075
Flange (Water Outlet)	5.0508	Camshaft Gear	5.1203	Liner	7.009
Gasket	5.0509	Cover	5.1207	Splasher Assembly	7.011
Thermostat Retainer	5.0510	Impeller (Driven)	5.1209	Seal	7.015
Gasket	5.0504	Impeller (Driving) ...	5.1214	Shock Absorber Seal ...	7.016
Plate (Ventilator Baffle)	5.0517	Piston Pressure Relief		Vent	7.019
Thermostat	5.0506	Valve).....	5.1219	Trim Strip	7.021
Retainer	5.0507	Shaft (Driven Impeller)	5.1210	Fender Assembly, Rear	7.100
Tube Assembly (Ventilator		Oil Strainer Assembly ..	5.1300	Gravel Shield	7.103
Outlet)	5.0518	Bracket	5.1302	Screw Insulation	7.104
Water Manifold Assy. ...	5.0531	Tube (Suction)	5.1305	Screw Spacer	7.105
Distributor	4.03001	Piston Assembly	5.1400	Lid Assembly (Gasoline	
Breaker Point Set	4.0305	Pin	5.1401	Filler)	7.101
Condenser	4.0307	Lock	5.1402	Bumper	7.102
Detail Parts - Auto-Lite.	4.0401	Ring (Detail)	5.1403	Hinge Assembly	7.1023
Detail Parts - Delco	4.0401	Ring Sets.....	5.14025	Liner (To Body)	7.106
Tube Assembly (To Carb.)	4.0312	Skirt Expander Sets ..	5.1404	Shroud Assembly	7.108
Fan	5.1928	Snubber Assembly	5.1500	Trim Strip	7.117
Belt	5.1929	Bracket (Frame)	5.1501	FRAME ASSEMBLY	
Pulley	5.1930	Channel (Frame Cross). .	5.1503	Brace (Body Hold Down	
Flywheel Assembly	5.0600	Link Assembly	5.1507	Bracket)	8.002
Housing Assembly	5.0603	Turnbuckle	5.1508	Brace (Spring-Rear Bracket	
Cover (Lower)	5.0604	Rod	5.1509	Front)	8.003
Pivot (Clutch Shifter		Spark Plug	4.1105	Bracket (Body Hold Down) ..	8.001
Relay Lever)	5.0609	Gasket	4.1125	Bracket (Brake Hose Union).	8.003
Fuel Pump Assembly	9.200	Nut	4.1113	Bracket (Brake Master	
Detail Parts for A C ...	9.800	Starter Motor	4.1800	Cylinder).....	8.005
Repair Kit	9.2001	Detail Parts (Auto-Lite)	4.2000	Bracket (Muffler Support) .	8.014
Tube Assy (To Carburetor)	9.209	Detail Parts (Delco)	4.2000	Bracket (Shock Absorber)	
Gasket Sets		Support (Front)	5.1600	(Rear)	8.024
Carbon & Valve	5.0701	Channel Assembly	5.1601	Bracket (Spring) (Rear) ...	8.031
Carburetor	9.101	Insulator	5.1603	Bracket (Stabilizer	
Combination (Complete		Support (Rear)		Lateral)	8.036
Engine)	5.0700	Channel & Bracket Assy ..	5.1607	Bracket (Wheel Rebound	
Manifold	5.0902	Insulator Assembly	5.1609	Bumper)	8.043
Oil Pan	5.1101	Valve (Exhaust & Intake) ..	5.1700	Bracket (Wheel Torque Arm).	8.044
Gear Cover	5.0800	Cover	5.1701	Cap	8.045
Oil Retainer	5.0803	Tube Assy (Ventilator). .	5.1703	Channel (Front)	8.007
Plate Assy (Front End) .	5.0806	Spring	5.1706	Channel (Rear)	8.016
Timing Indicator	5.0805	Guide (Valve Stem)	5.1710	Channel (Rear Intermediate)	8.017
Generator	4.07001	Tappet	5.1711	Brace	8.018
Adjusting Strap	4.0701	Plunger (Hydraulic)...	5.1715	Reinforcement	8.019
Bracket	4.0702	Screw (Adjusting)	5.1712	Channel (Side(Front)Sub) ..	8.030
Brush Set	4.0705	Vibration Damper Assembly .	5.1800	Channel (Side(Rear)Sub) ...	8.030
Detail Part - Delco	4.0900	Key	5.1807	Plate (Rear Engine Support)	8.022
Detail Parts - Auto-Lite	4.0900	Water Pump Assembly	5.1900	Plate (Shear)	8.023
Pulley	4.0706	Body	5.1907	Plate (Shock Absorber	
Regulator (Current &		Cover	5.1909	Reinforcement)	8.027
Voltage)	4.0703	Impeller	5.1912	Plate (Steering Crank	
Ignition Cable (Bulk Stock)	4.11001	Repair Kit	5.1902	Mounting)	8.038
Ignition Cable (Detail) ..	4.1106	Shaft & Bearings	5.1922	Side	8.028
Ignition Cable Sets	4.1100	EXHAUST		Gusset	8.029
Manifold, Exhaust	5.0900	<i>For Manifold - Exhaust and In-</i>		Spacer (Shock Absorber Rear	
Clamp-(Hold Down)	5.0901	<i>take see Engine Group Index</i>		Bolt)	8.0231
Gasket Set (Exhaust		Exhaust Pipe	6.100	Spacer (Steering Gear Bolt)	8.039
Intake)	5.0902	Bracket	6.101	Support (Gasoline Tank) ...	8.010
Thermostat (Heat Control)	5.0904	Clamp (To Muffler)	6.103	Bracket	8.011
Cover	5.0906	Cover	6.104	Support (Muffler Outlet	
Valve (Heat Control) ...	5.0908	Clamp	6.105	Tube)	8.013
Shaft Assembly	5.0910	Flange	6.107	"X" Member	8.046
Bushing	5.0913	Gasket	6.108	FUEL	
Weight	5.0916	Muffler Repair Equipment ..	6.006	Accelerator	
Manifold, Intake	5.0920	Muffler	6.000	Lever, Relay	9.018
Lever (Carb. Throttle) .	5.0931	Bracket & Clamp	6.008	Bracket	9.019
Rod Assy (Carb. Throttle		Bracket Insulator	6.010	Push Rod	9.020
Control)	5.0928	Outlet Tube	6.001	Pedal	9.012
Tube Assy (To Vacuum		Bracket Assembly	6.002	Hinge Bracket	9.013
Operated Top)	5.0939	Insulator	6.004	Push Rod	9.014
Oil Filler Assembly	5.1000			Retracting Spring	9.016

CHASSIS ALPHABETICAL INDEX

FUEL (CONT'D)

Rod (Relay Lever) (To Carburetor Throttle Operating Shaft Lever)	9.0203
Turnbuckle	9.0205
Shaft Assembly, Cross ..	9.000
Bracket	9.003
Foot Pedal Lever	9.005
Operating Lever	9.007
Relay Lever Assembly ..	9.008
Retracting Spring	9.010
Throttle Lever	9.005
Carburetor Assembly	9.1001
Air Cleaner Assembly ..	9.102
Connecting Rod Assembly Throttle	9.114
Detail Parts for (Carter)	9.144
Gasket Set	9.101
Lever (Throttle Operating)	9.125
Link	9.130
Pin	9.126
Fuel Pump Assembly	9.200
Detail Parts for A C Fuel Pump	9.800
Repair Kit	9.2001
Shield Assembly (Heat) ..	9.2035
Tube (To Carburetor)	9.209
Gasoline Tank Assembly ..	9.300
Inlet	9.3005
Cap	9.302
Gauge Assembly	4.0600
Liner (To Frame)	9.309
Strap & Anti Squeak Assy. (Tank Support Lower)	9.306
Tube Assy. (Gasoline) ...	9.400
Hose Assembly (To Fuel Pump Inlet)	9.406

GASOLINE TANK (See FUEL Index Group)

INSTRUMENT BOARD ASSEMBLY

Ash Receiver Assembly ..	10.001
Compartment	10.021
Door	10.022
Hinge	10.028
Lock Assembly	10.03055
Striker	10.035
Medallion	10.038
Moulding	10.0352
Trim Panel	10.0445
Dial (Cluster)	10.0546
Handle Assembly (Bonnet Lock)	10.0110
Bracket Assembly	10.0112
Knob	10.0114
Link	10.0116
Pin	10.0118
Panel Assembly (Center) ..	10.012
Panel Assembly, (Instrument)	10.058
Bulb (Gauge)	4.06155
Bulb (Reading Light) ...	4.1502
Clock	4.0200
Cover Assy. (Radio Opening)	10.087
Gauge Ammeter	4.0603
Gauge, Gasoline	4.0614
Gauge, Oil	4.0621
Gauge, Temperature	10.0915
Switch, Lamp Front	4.1335
Switch, Reading Light ..	4.1509
Temperature Gauge	10.0915
Tip & Knob, Cigar Lighter	4.0104
Trim (Plastic)	10.0635
Trim Band	10.0645
Trim Strip	10.065
Speedometer	10.100
Bulb	4.1700
Case Assembly	10.105

INSTRUMENT BOARD ASSEMBLY (CONT'D)

Shaft Assembly.....	10.127
Cable	10.128

LAMP

Fender	4.1400
Body	4.1401
Bulb	4.14015
Lens	4.1407
Front	4.1300
Body	4.1301
Bulb	4.13025
Mounting Assembly	4.13026
Retainer	4.1303
Rear	4.1600
Body	4.1602
Bulb	4.16055
Cable Assembly	4.1611
Door	4.1620
Glass	4.1622
Fuse Container & Cable Assembly	4.1642
Jewel	4.1629

RADIATOR ASSEMBLY

Cap	11.001
Core & Bracket Assembly ..	11.003
Cradle Assembly	11.0045
Bracket (To Fender)	11.0086
Tie Rod Assy. (To Frame)	11.0112
Bracket	11.0113
Drain Cock	11.012
Grille Assembly	11.300
Blade	11.302
Frame	11.306
Hose (Inlet & Outlet)	11.0122
Rust Preventive	11.017
Shutter Assembly	11.2001
Bar & Stud Assembly Operating	11.208
Bell Crank & Bushing Assembly Operating.	11.212
Blade	11.202
Bracket (To Radiator Shell)	11.220
Frame Assembly	11.207
Link, Operating	11.2115
Rod	11.2163
Thermostat & Cover Assy. Sylphon Assembly	11.222
Splasher	11.108
Tie Rod & Nuts Assembly ..	11.014
Bracket	11.015

REAR AXLE

Case Assembly	12.023
Differential Carrier Assy.	12.001
Bearing	12.000
Carrier & Cap	12.0015
Cap	12.002
Case	12.004
Gear	12.021
Thrust Washer	12.022
Gear & Pinion Assembly (Driving)	12.005
Bearing	12.0105
Oil Seal Assy. (Front)	12.012
Sleeve	12.011
Idler Gear (Driving)	12.006
Lock Plate	12.007
Shaft	12.008
Roller	12.009
Pinion	12.018
Pin	12.019
Thrust Washer	12.020
Universal Joint Flange ...	12.0161
Dust Shield	12.0162
Spacer	12.017
Shaft	12.029
Bearing	12.0295
Oil Guard	12.030

REAR AXLE (CONT'D)

Gasket	12.031
Oil Seal	12.0315
Retainer	12.032
Gasket	12.033
Shim	12.034
Key	12.0340
Nut Oil Seal	12.0341
Thrust Block	12.035
Spacer	12.036

RUNNING BOARD ASSEMBLY

Brace (Frame)	7.203
Bracket Assembly	7.204
Mat (Clipper Type)	30.8105
Moulding (Clipper Type) ..	30.8135
Moulding	7.207

SHOCK ABSORBER

Front Assembly	13.000
Friction Spring	13.005
Friction Washer	13.006
Valve	13.023
Rear Assembly	13.001
Bushing	13.002
Detail Parts	13.300
Gravel Shield	13.007
Pin	13.017
Valve	13.024

SPRINGS

Spring Front	14.000
Adapter	14.001
Bumper Assembly	14.002
Seat	14.003
Striker (Lower)	14.004
Bracket (Striker and Stabilizer)	14.007
Retainer	14.006
Bumper Assembly (Rebound)	14.009
Insulator	14.008
Spacer	14.010
Spring Rear	14.100
Block	14.1015
Bushing	14.105
Bolt	14.1051
Clip	14.106
Leaf	14.109
Separator	14.110
Oil Retainer Assy. ..	14.111
Rubber Bumper	14.114
Clip	14.116
Shackle Assembly	14.117
Link	14.119

STABILIZER

Stabilizer Assy. (Front) .	13.1001
Grommet	13.102
Guide	13.103
Retainer	13.104
Bearing	13.114
Bracket	13.115
Stabilizer Lateral Assy. .	13.1164
Shock Absorber	13.118
Tube	13.119
Stabilizer Torsional Assy. (Rear)	13.120

STEERING

Column Assembly	15.3002
Bracket (To Instrument Board)	15.303
Anti Squeak	15.304
Grommet	15.305
Insulator	15.306
Spacer	15.307
Dash Brace	15.3072
Grommet	15.302
Insulator (Toe Board) ..	15.308
Shroud	15.3075
Grommet	15.3076
Connecting Rod Assembly ..	15.000
Adjusting Plug	15.001

CHASSIS ALPHABETICAL INDEX

<p>STEERING (CONT'D)</p> <ul style="list-style-type: none"> Adjusting Plug Outer ... 15.008 Ball Seat 15.003 Spring 15.004 Dust Cover 15.006 Lever and Ball Stud <ul style="list-style-type: none"> Assembly (Idler) .. 15.0071 Dust Cover 15.0072 Lever Bushing <ul style="list-style-type: none"> Assembly (Idler) .. 15.0074 Lever Support 15.00746 Oiler 15.0075 Crank & Ball Stud Assembly 15.100 <ul style="list-style-type: none"> Pin 15.103 Sleeve 15.106 Cross Tube Assembly 15.200 <ul style="list-style-type: none"> Clamp 15.201 Dust Cover (Stud) 15.206 Seat 15.207 Socket Assembly 15.202 Direction Signal <ul style="list-style-type: none"> Switch & Cable 4.21082 Flasher 4.21086 Fuse 4.21088 Lever 4.21092 Pin 4.21094 Gear Assembly 15.310 <ul style="list-style-type: none"> Case Assembly 15.313 <ul style="list-style-type: none"> Tube (Worm Cover <ul style="list-style-type: none"> Grease Retaining) 15.316 Cross Shaft Assembly ... 15.318 <ul style="list-style-type: none"> Adjusting Shim 15.319 Bushing 15.320 Lever Assembly 15.321 <ul style="list-style-type: none"> Ball Stud 15.322 Roller Assembly 15.323 Thrust Washer 15.328 Shaft & Worm Assembly .. 15.329 <ul style="list-style-type: none"> Bearing 15.3295 Oil Seal Assembly ... 15.3305 Worm 15.331 <ul style="list-style-type: none"> Bearing Adjusting <ul style="list-style-type: none"> Ring 15.3315 Wheel Assembly 15.333 <ul style="list-style-type: none"> Horn Ring Button and <ul style="list-style-type: none"> Emblem Assembly 4.1022 Cable Assembly 4.1024 <ul style="list-style-type: none"> Ring 4.1037 Emblem 4.1038 Pivot 4.10394 Plate (Contact) 4.1039 	<p>SUSPENSION (CONT'D)</p> <ul style="list-style-type: none"> Pivot Pin 15.5132 Bushing 15.5135 Seal 15.5136 Torque Arm 15.515 Bushing (Rubber) 15.517 Insulator 15.516 Shim 15.518 TOOLS <ul style="list-style-type: none"> Bag (Tool & Jack) 16.003 Jack 16.0025 Pliers 16.005 Screw Driver 16.007 Wrench Spark Plug 16.011 Wrench Wheel & Jack 16.012 TRANSMISSION ASSY. (Without Econo-Drive) 3.200 <ul style="list-style-type: none"> Case 3.202 <ul style="list-style-type: none"> Cover Assembly 3.203 Gasket 3.206 Clutch Shaft 3.209 <ul style="list-style-type: none"> Bearing Front 3.2092 Bearing Rear & Retaining <ul style="list-style-type: none"> Ring 3.2091 Bearing Rear Cover 3.210 <ul style="list-style-type: none"> Gasket 3.211 Retainer 3.212 Countershaft 3.214 <ul style="list-style-type: none"> Gear Cluster 3.215 <ul style="list-style-type: none"> Bearing Roller Ring ... 3.216 End Plate 3.218 Thrust Washer 3.219 Retainer 3.220 Direct Drive & Second Speed <ul style="list-style-type: none"> Clutch Gear 3.222 Ring 3.223 Direct Drive & Second Speed <ul style="list-style-type: none"> Shifter Lever 3.346 Driving Shaft <ul style="list-style-type: none"> Bearing Rear Cover 3.230 <ul style="list-style-type: none"> Gasket 3.231 First & Second Speed <ul style="list-style-type: none"> Gears & Bearing <ul style="list-style-type: none"> Assembly 3.235 First Speed Clutch and <ul style="list-style-type: none"> Reverse Gear 3.234 Flange (Universal Joint). 3.236 Oil Seal Assembly 3.232 Reversing Pinion Assembly . 3.246 <ul style="list-style-type: none"> Bushing 3.247 Shaft 3.248 Shifter Fork <ul style="list-style-type: none"> Ball Spacer 3.250 Bracket (Interlock) 3.251 Shaft 3.252 <ul style="list-style-type: none"> Seal Retainer 3.255 Shifter Fork (Direct Drive & Second Speed Gear) . 3.224 <ul style="list-style-type: none"> Shoe 3.226 Shifter Fork (First Speed & Reverse Gear) 3.240 <ul style="list-style-type: none"> Shoe 3.242 Shifter Lever (First Speed & Reverse) 3.347 Speedometer Driving Gear .. 3.256 Speedometer Pinion & Shaft. 3.257 Steering Column Gear Shift <ul style="list-style-type: none"> Idler Lever Assembly . 3.300 Shaft Assembly 3.303 <ul style="list-style-type: none"> Spring 3.304 Rod Assy. (To <ul style="list-style-type: none"> Transmission) 3.305 Spring 3.309 Lever 3.310 <ul style="list-style-type: none"> Boot 3.311 Housing 3.3125 Bracket 3.313 Knob 3.314 Trim Ring 3.315 	<p>TRANSMISSION ASSY. (Without Econo-Drive) (CONT'D)</p> <ul style="list-style-type: none"> Selector 3.316 <ul style="list-style-type: none"> Rod Assembly 3.317 Plug (End) 3.320 Plunger (End) 3.321 Spring 3.322 Spring 3.323 <ul style="list-style-type: none"> Retainer 3.324 Shaft & Housing Assembly. 3.325 <ul style="list-style-type: none"> Bracket (Shaft) 3.326 Clamp 3.327 Lever (Shaft) 3.328 <ul style="list-style-type: none"> Rod (To Idler Lever). 3.330 Rod (To Idler Lever) <ul style="list-style-type: none"> (First & Reverse) 3.331 Rod (To Idler Lever) <ul style="list-style-type: none"> (Direct & Second) 3.332 Synchronizer Brake & Housing Assembly 3.260 Toe Board Cover 3.264 TRANSMISSION ASSY. (With Econo-Drive) 3.400 <ul style="list-style-type: none"> Case 3.401 <ul style="list-style-type: none"> Gasket 3.402 Driving Shaft 1st & 2nd <ul style="list-style-type: none"> Speed Gears & Bearing <ul style="list-style-type: none"> Assembly 3.403 Drive Lockout Cable Assy. . 3.404 Bracket 3.405 Clip 3.406 Drive Lockout Control Lever <ul style="list-style-type: none"> Assembly 3.408 Bushing 3.409 Spacer 3.410 Econo-Driver Unit <ul style="list-style-type: none"> Case 3.416 <ul style="list-style-type: none"> Adapter 3.417 Gasket 3.418 Hub (Clutch) 3.420 <ul style="list-style-type: none"> Bushing 3.421 Sleeve (Clutch) 3.426 Control Shaft 3.428 Lever 3.429 Free Wheel Cam & Bushing <ul style="list-style-type: none"> Assembly 3.435 Governor Assembly 3.441 <ul style="list-style-type: none"> Boot (Governor) 3.442 Pinion (Governor) 3.443 Sleeve 3.444 Snap Ring 3.445 Main Shaft Assembly 3.446 <ul style="list-style-type: none"> Bearing Snap Ring 3.448 Oil Collector Ring 3.451 Pilot 3.453 <ul style="list-style-type: none"> Bushing 3.454 Oil Collector Ring (Cage) 3.457 Pinion Shaft 3.460 Reverse Lockup Plunger .. 3.463 Ring Gear 3.464 <ul style="list-style-type: none"> Snap Ring 3.465 Shift Fork 3.466 Retractor Spring 3.468 Shift Rail 3.469 <ul style="list-style-type: none"> Lever (Interlock) 3.471 Spring 3.472 Stationary Gear 3.478 Balk Ring 3.479 Pawl 3.480 Plate Assembly 3.482 <ul style="list-style-type: none"> Cover 3.483 Snap Ring 3.484 Speedometer Gear (Used <ul style="list-style-type: none"> with all Ratios) ... 3.485 Speedometer Pinion & Shaft Assembly 3.486 Universal Joint & Driving Shaft Flange 3.488
---	--	---

CHASSIS ALPHABETICAL INDEX

UNIVERSAL JOINT

Bearing Assembly (Trunnion)	18.042
Cork (Roller Bushing)	18.0107
Retainer	18.011
Cross Assembly	18.005
Excluder (Dust)	18.007
Link (Tie)	18.041
Retainer (Trunnion Washer)	18.043
Roller (Bearing)	18.0005
Roller Bearing Assembly	18.0105
Shaft Assembly	18.013
Bearing (Trunnion)	18.0255
Bracket	18.026
Insulator (To X Member)	18.027
Dust Shield	18.029
Retainer	18.030
Support	18.031

UNIVERSAL JOINT (CONT'D)

Flange	18.017
Lock (Bolt)	18.014
Plate	18.015
Shield (Bearing Dust)	18.000
Spider	18.038

WHEEL

Assembly	19.000
Cap (Hub)	19.001
Oil Seal Assembly	19.0015
Cover (Hub Shell)	19.002
Clip	19.003
Emblem	19.0035
Trim Ring	19.041

WHEEL CARRIER (Side)

Brace (Wheel)	19.1195
Bracket	19.120

WHEEL CARRIER (Side) (CONT'D)

Pivot Pin	19.121
Socket	19.122
Bracket (To Dash)	19.105
Rod	19.106
Bracket (To Frame Support)	19.107
Lock	19.108
Bracket (Rod)	19.117
Pivot Pin	19.118
Cylinder	19.112
Plate	19.113
Rod & Bracket Assembly	19.115
Tire Cover Assembly	19.006
Edging-Inner (Rubber)	19.014
Moulding	19.026
Turn Buckel & Bar Assy.	19.038
Washer (Felt)	19.039

BONNET

0.0015 - 0.016

INDEX NO.	PART NO.	DESCRIPTION AND MODELS	PER CAR	INDEX NO.	PART NO.	DESCRIPTION AND MODELS	PER CAR
BONNET				BONNET—Continued			
<p><i>Note:— Instrument Board Bonnet Lock Handle Refer To Index Code No. 10.0110</i></p>							
0.0015	BUMPER, (Bonnet)			0.0086	SPRING, Bonnet lock link		
	372174 (To cowl) 2000-1-3-6-10-11	10		362140	2001A-3A-4-5-7-8-20-1-3-55	2	
	372164 (Cowl) 1951	10		0.0090	BUMPER, Bonnet pivot		
	372165 (Front) 1951-2000-1-10-11	2		372164	1951-2000-1-3-6-10-11	2	
	372165 (Front) 2003-6	4		7154	(50.220) Lockwasher #12	4	
	373956 (Rear corner) 2000-1-3-6-10-11	2		7941	(50.100) Nut #12-24	4	
	372146 (Rear) 1951-2000-1-10-11	4		7942	Screw #12-24 x 5/8	4	
	372146 (Rear) 2003-6	6		7330	(50.200) Washer #10	4	
	373957 Clip	2		0.0091	PROP AND PIVOT ASSEMBLY, Bonnet		
	7934 (50.300) Screw #8 x 1/2	x		372467	1951-2000-1-3-6-10-11	1	
0.0016	DOWEL, Bonnet			372970	Screw (ball socket to prop)	2	
	372332 (Rear) 1951-2000-1-3-6-10-11	2		0.0093	BOLT, Bonnet prop pivot		
	7305 (50.100) Nut 5/16-18	2		376062	1/4-20 x 2-3/4 2000-1-3-6-10-11	1	
0.0025	PIN, Bonnet guide			7304	(50.100) Nut 1/4-20	1	
	372326 1951-2000-1-3-6-10-11	4		7319	(50.200) Washer plain 1/4	1	
	5504 (50.220) Lockwasher 5/16	4		0.0094	REST, Bonnet prop		
	7138 (50.003) Screw 5/16-18 x 5/8 20th Sr.	4		372463	1951-2000-1-3-6-10-11	2	
	7139 Screw 5/16-18 x 3/4 hex. hd. 1951	4		6620	Screw #10 x 1/2 Tapping	4	
	6359 (50.200) Washer	4		0.0095	SPRING, Bonnet prop		
0.007	LOCK, Bonnet			376064	1951-2000-1-3-6-10-11	1	
	362118 Right 2001A-3A-4-5-7-8-21-3-55	1		0.0096	CATCH ASSEMBLY, Bonnet safety		
	362116 Right 2020	1		370412	Right 1951-2000-1-3-6-10-11	1	
	362117 Left 2001A-3A-4-5-7-8-21-3-55	1		370413	Left 1951-2000-1-3-6-10-11	1	
	362115 Left 2020	1		5502	(50.220) Lockwasher 1/4	2	
	6968 (50.240) Cotter pin 1/16 x 5/8	2		7304	(50.100) Nut 1/4-20	2	
	5502 (50.220) Lockwasher 1/4	2		7129	(50.003) Screw 1/4-20 x 1/2	2	
	5504 (50.220) Lockwasher 5/16	2		7690	(50.300) Screw #10 x 1/2 Tapping	2	
	7004 (50.100) Nut 1/4-8	2		0.0097	ANTI-RATTLER, Bonnet safety catch		
	7005 Nut 5/16-24	2		372872	1951-2000-1-3-6-10-11	2	
	7801 (50.003) Screw 1/4-28 x 1/2	2		0.0098	SPRING, Bonnet safety catch		
	7553 (50.003) Screw 5/16-24 x 7/8	2		302404	1951-2000-1-3-6-10-11	2	
	5937 (50.200) Washer 9/32	2		0.011	SIDE ASSEMBLY		
	3874 (50.200) Washer 5/16	2		373775	Right 2001A-3A-4-5-7-8-23-55	1	
0.0071	CLAMP, Bonnet lock			377319	Right 2020	1	
	372294 Right 1951-2000-1-3-6-10-11	2		377419	Right 2021	1	
	372295 Left 1951-2000-1-3-6-10-11	2		373774	Left 2001A-3A-4-5-7-8-23-55	1	
0.0072	BRACKET, Bonnet lock clamp			377318	Left 2020	1	
	372304 Right 1951-2000-1-3-6-10-11	2		377418	Left 2021	1	
	372305 Left 1951-2000-1-3-6-10-11	2		5504	(50.220) Lockwasher 5/16 2001A-20-1	2	
0.0073	ROD, Bonnet lock clamp operating			341548	Nut #12-11 (To radiator grille) 2001A-3A-4-5-7-8-20-1-3-55	x	
	372777 1951-2003-6	2		7553	(50.003) Screw 5/16-24 x 7/8 2001A-20-1	2	
	4290 (50.240) Cotter pin 3/32 x 5/8	4		3874	(50.200) Washer 5/16 2001A-20-1	4	
	330344 Spring washer 5/16 x 5/8	2		0.0115	BRACKET, Side (to cowl)		
	3874 (50.200) Washer 5/16	x		356475	Right 2001A-3A-4-5-7-8-20-1-3-55	1	
0.0074	SPRING, Bonnet lock clamp operating rod			356474	Left 2001A-3A-4-5-7-8-20-1-3-55	1	
	373764 1951-2000-1-3-6-10-11	2		5502	(50.220) Lockwasher 1/4	4	
0.00745	PIN, Bonnet lock clamp			7801	(50.003) Screw 1/4-28 x 1/2	4	
	372331 1951-2000-1-3-6-10-11	4		326546	Washer 11-32 x 1/16	4	
0.00746	SPRING, Bonnet lock clamp			0.0156	LINER, Side		
	372450 1951-2000-1-3-6-10-11	4		358669	(To cowl) 2001A-3A-4-5-7-8-20-1-3-55	2	
0.0075	SPACER, Lock clip			0.016	LOUVER ASSEMBLY, Side		
	333976 2003A-4-5-6-8-23-55	2		356690	Right 2001A-3A	1	
0.008	HANDLE, Lock			356692	Right 2004-5-23-55	1	
	356675 Right 2001A-3A-4-5-7-8-23-55	1		356694	Right 2007-8	1	
	356671 Right 2020	1		356688	Right 2020	1	
	356673 Right 2021	1		358274	Right 2021	1	
	356674 Left 2001A-3A-4-5-7-8-23-55	1		367191	Right 2030	1	
	356670 Left 2020	1		356689	Left 2001A-3A	1	
	356672 Left 2021	1		356691	Left 2004-5-23-55	1	
0.0085	PIN, Lock handle			356693	Left 2007-8	1	
	362553 2001A-3A-4-5-7-8-20-1-3-55	2					

BONNET

INDEX NO.	PART NO.	DESCRIPTION AND MODELS	PER CAR	INDEX NO.	PART NO.	DESCRIPTION AND MODELS	PER CAR
BONNET—Continued				BONNET—Continued			
0.016	LOUVER ASSEMBLY, Side (Cont'd)			0.0334	MOULDING, Top (side)		
	356687	Left 2020	1		373591	Right 1951	1
	358273	Left 2021	1		378915	Right (chrome) 2000-1-10-11	1
	367190	Left 2030	1		▲379900	Right (prime) 2000-1-10-11	1
	324759	Nut #10-24	x		364311	Right 2001A-3A-4-5-7-8-21-3-55	1
0.0175	MEDALLION, Side louver				379041	Right (chrome) 2003-6	1
	356487	2004-5-21-3-30-55	2		▲379902	Right (prime) 2003-6	1
	356558	2007-8	2		364309	Right 2020	1
	348916	Palnut 2007-8	2		373590	Left 1951	1
0.0275	SCRIPT, Side				378914	Left (chrome) 2000-1-10-11	1
	364081	(For 160) 2004-5-23-55	2		▲379899	Left (prime) 2000-1-10-11	1
	364082	(For 180) 2007-8	2		364310	Left 2001A-3A-4-5-7-8-21-3-55	1
	364121	Speednut 3/32	8		379040	Left (chrome) 2003-6	1
0.0276	TOP ASSEMBLY COMPLETE, Bonnet				▲379901	Left (prime) 2003-6	1
	378659	(Chrome mldgs) 2000-1-10-11	1		364308	Left 2020	1
	▲382314	(Prime mldgs) 2000-1-10-11	1		364327	Clip	x
	364895	2001A-3A-4-5-7-8-23-55	1	0.0335	BARB, Top moulding (side)		
	378906	(Chrome mldgs) 2003-6	1		373607	Right 1951	1
	▲382313	(Prime mldgs) 2003-6	1		379125	Right (chrome) 2000-1-3-6-10-11	1
	356859	2020-30	1		▲379895	Right (prime) 2000-1-3-6-10-11	1
	356883	2021	1		364257	Right 2001A-3A-4-5-7-8-20-1-3-55	1
0.028	TOP ASSEMBLY, Bonnet				373606	Left 1951	1
	373668	1951	1		379124	Left (chrome) 2000-1-3-6-10-11	1
	378658	2000-1-10-11	1		379894	Left (prime) 2000-1-3-6-10-11	1
	378905	2003-6	1		364256	Left 2001A-3A-4-5-7-8-20-1-3-55	1
	356741	Right 2001A-3A-4-5-7-8-21-3-55	1	0.03353	RETAINER, Top moulding (side) barb		
	356703	Right 2020	1		379126	Front 2000-1-3-6-10-11	2
	356742	Left 2001A-3A-4-5-7-8-21-3-55	1		379127	Rear 2000-1-3-6-10-11	2
	356702	Left 2020	1	0.03355	CUP WASHER, Bonnet top moulding		
0.0281	BUMPER, Top				183962	1951-2000-1-3-6-10-11	x
	364302	2001A-3A-4-5-7-8-20-1-3-55	10	0.0336	SCREW, Top (side) moulding		
0.0282	HINGE, Top center				378714	#10-32 (With retainer) 2000-1-10-11	1
	356196	2001A-3A-4-5-7-8-21-3-55	2		7568	(50.000) #10-24 x 3/8 1951-2000-1-3-6-10-11	x
	356195	2020	2		364336	#10-32 x 1/2 2001A-3A-4-5-7-8-20-1-3-55	4
	8255	Rivet 9/64 x 7/32	34		356439	Front #10-32 x 3/8 2001A-3A-4-5-7-8-20-1-3-55	x
0.0283	MOULDING ASSEMBLY, Top center hinge				6056	(50.230) Lockwasher #10 external 1951-2000-1-3-6-10-11	x
	356234	2001A-3A-4-5-7-8-21-3-55	1		5935	(50.230) Lockwasher #10 internal 2001A-3A-4-5-7-8-20-1-3-55	x
	356233	2020	1		7003	(50.100) Nut #10-32 20th Series	x
0.0284	BRACKET FRONT AND RETAINER ASSEMBLY, Top center hinge moulding				378392	Nut #10-24 2000-1-3-6-10-11	x
	356887	2001A-3A-4-5-7-8-20-1-3-55	1		324759	Nut #10-24 1951	14
	5502	(50.220) Lockwasher 1/4	2		6757	(50.200) Washer #10 plain 2000-1-3-6-10-11	x
	7801	(50.003) Screw 1/4-28 x 1/2	2	0.0345	ORNAMENT ASSEMBLY, Top		
	7319	(50.200) Washer 1/4	2		373445	(Chrome) 1951-2000-1-3-6-10-11	1
0.0285	BRACKET, Top center hinge molding hold down				▲382310	(Prime) 2000-1-3-6-10-11	1
	356873	2001A-3A-4-5-7-8-20-1-3-55	1		364755	2001A-3A-4-5-7-8-23-55	1
	6699	(50.230) Lockwasher 1/4 internal	1		356763	2020-1-30	1
	7801	(50.003) Screw 1/4-28 x 1/2	1		183962	Cupwasher 2000-1-3-6-10-11	1
	3870	Washer 1/4 2001A-3A-4-5-7-8-20-1-3	1		6056	(50.230) Lockwasher #10 1951-2000-1-3-6-10-11	3
0.0286	SUPPORT, Top center hinge moulding (rear)				7162	(50.120) Nut 1/4-28 (stud) 2001A-3A-4-5-7-8-20-1-30-55	1
	356431	2001A-3A-4-5-7-8-20-1-3-55	1		7568	(50.000) Screw #10-24 x 3/8 2000-1-3-6-10-11	2
0.0287	PLATE, Top center hinge moulding support rear				7564	(50.000) Screw #10-24 x 1/2 1951-2000-1-3-6-10-11	1
	356598	2001A-3A-4-5-7-8-20-1-3-55	1		356773	washer (stud) 2001A-3A-4-5-7-8-20-1-3-30	1
	7213	(50.002) Screw 1/4-28 x 5/8	1	0.0346	BOLT, Top ornament mounting		
0.030	MOULDING, Top center panel				356772	2001A-3A-4-5-7-8-20-1-30-55	2
	378590	(Chrome) 2000-1-10-11	1		6056	(50.230) Lockwasher (shakeproof)	2
	▲382312	(Prime) 2000-1-10-11	1	0.0347	PROP ASSEMBLY, Top		
	373953	(Chrome) 1951-2003-6	1		356621	Right 2001A-3A-4-5-7-8-20-1-3-55	1
	▲382311	(Prime) 2003-6	1		356620	Left 2001A-3A-4-5-7-8-20-1-3-55	1
	240708	Fastener	x		7095	(50.050) Bolt 1/4-20 x 5/8	2
	5500	(50.230) Lockwasher #10 internal	4		5502	(50.220) Lockwasher 1/4	2
	7003	(50.100) Nut 10-32	4		7304	(50.100) Nut 1/4-20	2
	324905	Screw #10-32 1951	2		356615	Rivet	6
	364336	Screw 20th Sr.	4				

▲ Used on Clipper Four Door Sedans built after Jan. 1, 1942 only. All other body types have chrome trim.

BONNET AND BRAKE

0.0347 - 1.0101

INDEX NO.	PART NO.	DESCRIPTION AND MODELS	PER CAR	INDEX NO.	PART NO.	DESCRIPTION AND MODELS	PER CAR
BONNET—Continued				BRAKE CYLINDER			
0.0347		PROP ASSEMBLY, Top (Cont'd)		1.000		FLUID, Brake	
	7801 (50.003)	Screw 1/4-24 x 1/2	2	304690		Pint 1951-20th Sr.	x
	3870	Washer	2	304315		Quart 1951-20th Sr.	x
0.03475		SPRING WASHER, Top prop link		304316		Gallon 1951-20th Sr.	x
	356619	2001A-3A-4-5-7-8-20-1-3-55	6	304317		Five gallon 1951-20th Sr.	x
0.0348		WEATHERSTRIP, Bonnet		1.0005		CYLINDER ASSEMBLY, Master	
	370543	1951-2000-1-3-6-10-11	1	373365		LHD 2000-1-10-11	1
0.0349		RETAINER, Bonnet weatherstrip		354130		LHD 1951-2001A-3-4-5-6-7-8-20-1-3-55	1
	372244	1951-2000-1-3-6-10-11	1	354132		LHD (1-1/8) 2001A Amb.-2003A	1
	7649 (50.300)	Screw #8 x 3/8 tapping	9	378882		RHD 2000-1-10-11	1
	8056 (50.300)	Screw #8 x 1 tapping	2	335671		RHD 2001A-20-1	1
	372248	Screw #8 x 1 1951	2	335275		RHD (1-1/8 dia.) 2001A Amb.-2003A	1
				338054		RHD 2004-5-7-8-23-55	1
				5506 (50.220)		Lockwasher 3/8 1951-20th Sr.	2
				5508 (50.220)		Lockwasher 7/16 1951-2000-1-3-6-10-11	1
				7006 (50.100)		Nut 3/8-24 1951-20th Sr.	1
				7007 (50.100)		Nut 7/16-20 1951-2000-1-3-6-10-11	1
				7891		Screw 3/8-24 x 2 3/8 1951-20th Sr.	1
				6689 (50.003)		Screw 3/8-16 x 3/4 1951 20th Sr.	1
				7772 (50.003)		Screw 7/16-20 x 2-1/2 1951-2000-1-3-6-10-11	1
				1.001		CYLINDER, Master	
				354070		LHD 1951-2000-1-1A-3-4-5-6-7-8-10-11-20-1-3-55	1
				354131		LHD 2001A Amb.-2003A	1
				378756		RHD 2000-1-10-11	1
				351867		RHD 2001A-20-1	1
				351869		RHD 2001A Amb.-2003A	1
				351868		RHD 2004-5-7-8-23-55	1
				1.002		BOOT, Master cylinder	
				303007		1951 20th Sr.	1
				1.003		STRAP, Master cylinder boot	
				303004		(Large) 1951 20th Sr.	1
				303011		(Small) 1951 20th Sr.	1
				1.004		VALVE ASSY. Master cylinder check	
				303025		1951-2000-1-1A-3-4-5-6-7-8-10-11-20-1-3-55	1
				234861		2001A Amb.-2003A	1
				1.005		CUP, Master cylinder check valve	
				303023		1951 20th Sr.	1
				1.006		RETAINER, Master cylinder check valve cup	
				303024		1951 20th Sr.	1
				1.007		VALVE SEAT, Master cylinder check	
				351864		1951 20th Sr.	1
				1.008		PLUG ASSEMBLY, Master cylinder filler	
				351865		1951 20th Sr.	1
				351866		Gasket	1
				1.009		CYLINDER HEAD, Master	
				303020		1951-2001-1A-3-4-5-6-7-8-11-20-1-3-55	1
				234862		2001A Amb.-2003A	1
				303021		(50.660) Gasket	1
				1.010		CONNECTION, Master cylinder outlet	
				373398		2000-1-10-11	1
				302702		LHD 1951-2001A-3-4-5-6-7-8-20-1-3-55	1
				316858		RHD 2001A-4-5-7-8-20-1-3-55	1
				302700		Gasket (inner) 1951-20th Sr.	1
				302496		Gasket (outer) 1951-20th Sr.	1
				1.0101		BOLT, Brake master cylinder outlet connection	
				373697		LHD 2000-1-10-11	1
				302495		LHD 1951-2001A-3-3A-4-5-6-7-8-20-1-3-55	1
				316861		RHD 20th Sr.	1

BRAKE

INDEX NO.	PART NO.	DESCRIPTION AND MODELS	PER CAR
BRAKE CYLINDER - Continued			
1.011	PISTON ASSY., Master cylinder		
	303003 1951-2000-1-1A-3-4-5-6-7-8-10-11-20-1-3-55 ..		1
	234863 2001A Amb.-2003A		1
1.012	CUP, Master cylinder piston		
	303026 1951-2000-1-1A-3-4-5-6-7-8-10-11-20-1-3-55 ..		1
	234865 2001A Amb.-2003A		1
1.014	PUSH ROD ASSEMBLY, Master cylinder piston		
	303010 1951-20th Sr.		1
1.015	CONNECTOR, Master cylinder piston push rod		
	303009 1951-20th Sr.		1
1.016	SPRING AND RETAINER ASSEMBLY, Master cylinder piston return		
	303018 LHD 1951-2000-1-1A-3-4-5-6-7-8-10-11-20-1-3-55		1
	234869 2001A Amb.-2003A		1
	378788 RHD 2000-1-10-11		1
	303018 RHD 2001A-4-5-7-8-20-1-3-55		1
1.017	PISTON STOP, Master cylinder		
	303005 1951-2000-1-1A-3-4-5-6-7-8-10-11-20-1-3-55 ..		1
	234872 2001A Amb.-2003A		1
1.018	LOCKWIRE, Master cylinder piston stop		
	303006 1951-2000-1-1A-3-4-5-6-7-8-10-11-20-1-3-55 ..		1
	234873 2001A Amb.-2003A		1
1.019	REPAIR KIT, Master cylinder		
	333751 1951-2000-1-1A-3-4-5-6-7-8-10-11-20-1-3-55 ..		1
	242503 2001A Amb.-2003A		1
1.020	CUP, Master cylinder secondary		
	303002 1951-2000-1-1A-3-4-5-6-7-8-10-11-20-1-3-55 ..		1
	234875 2001A Amb.-2003A		1
1.021	RING, Master cylinder secondary cup		
	311793 1951-2000-1-1A-3-4-5-6-7-8-10-11-20-1-3-55 ..		1
	234876 2001A Amb.-2003A		1
1.022	SHIELD, Master cylinder		
	335897 RHD 2001A-20-1		1
	354440 RHD 2001A Amb.-2003A-4-5-7-8-23-55		1
1.023	CYLINDER ASSEMBLY, Wheel		
	379636 Right Front 2000-10-20		1
	302949 Right Front 1951-2001-4-5-7-8-11-21-3-55		1
	304881 Right Front 2001A-3-6		1
	237024 Right Front 2001A Amb.-2003A		1
	302951 Right Rear (15/16" bore) 1951-2000-1-3-4-5-6-7-8-10-11-20-1-3-55		1
	304887 Right Rear (1" bore) 2000-1-1A-3-4-5-6-7-8-10-11-20-1-3-55		1
	237026 Right Rear 2001A Amb.-2003A		1
	379635 Left Front 2000-10-20		1
	302948 Left Front 1951-2001-4-5-7-8-11-21-3-55		1
	304880 Left Front 2001A-3-6		1
	237023 Left Front 2001A Amb.-2003A		1
	302950 Left Rear (15/16" bore) 1951-2000-1-3-4-5-6-7-8-10-11-20-1-3-55		1
	304886 Left Rear (1" bore) 2000-1-1A-3-4-5-6-7-8-10-11-20-1-3-55		1
	237025 Left Rear 2001A Amb.-2003A		1
1.0231	CYLINDER (ONLY), Wheel		
	302919 Right Front 2000-10-20		1
	302915 Right Front 1951-2001-4-5-7-8-11-21-3-55		1
	304885 Right Front 2001A-3-6		1
	237402 Right Front 2001A Amb.-2003A		1

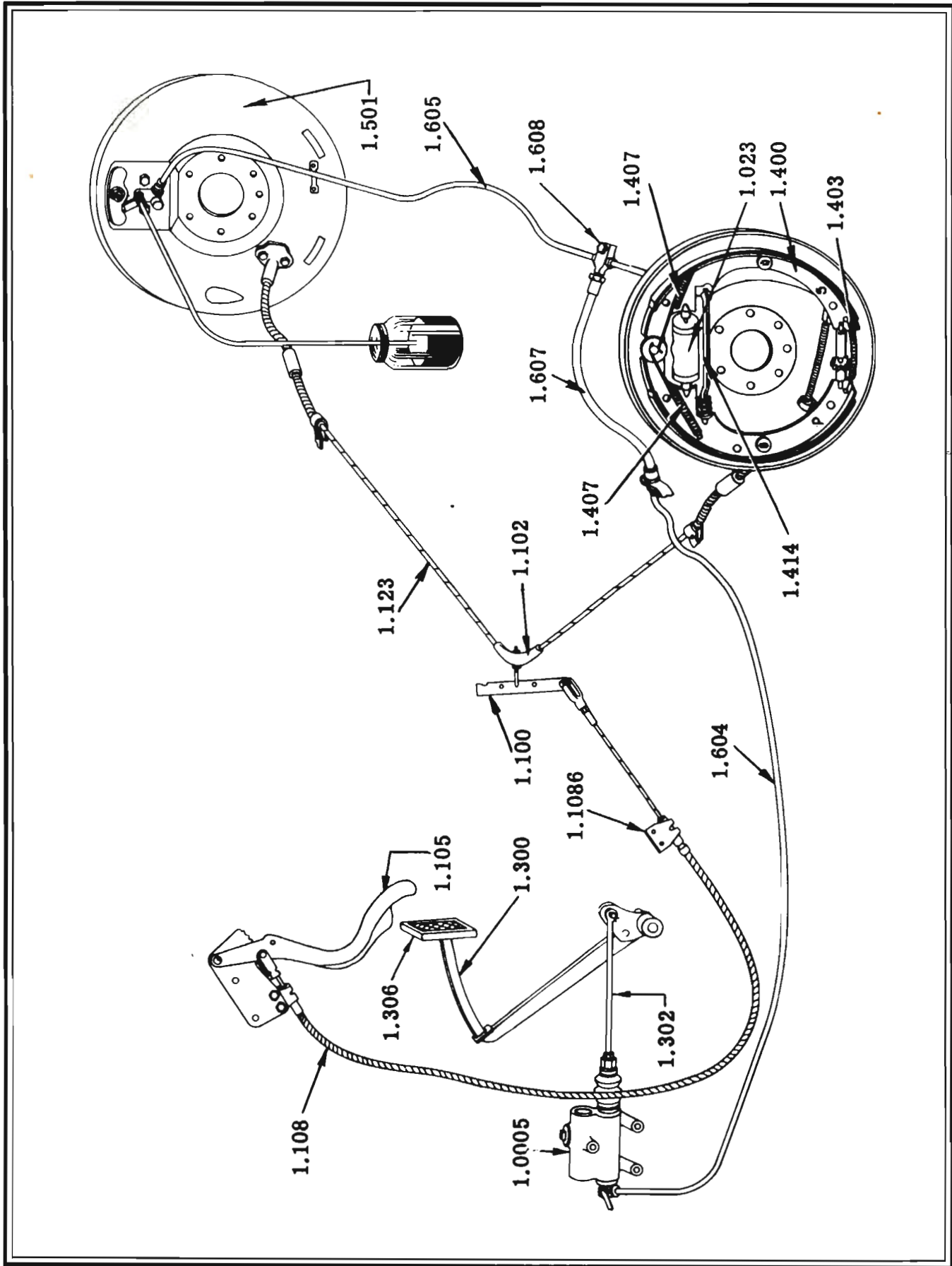
INDEX NO.	PART NO.	DESCRIPTION AND MODELS	PER CAR
BRAKE CYLINDER - Continued			
1.0231	CYLINDER (ONLY), Wheel (Cont'd)		
	302919 Right rear (15/16" bore) 1951-2000-1-3-4-5-6-7-8-10-11-20-1-3-55		1
	304885 Right Rear (1" bore) 2000-1-1A-3-4-5-6-7-8-10-11-20-1-3-55		1
	237404 Right Rear 2001A Amb.-2003A		1
	302918 Left Front 2000-10-20		1
	302914 Left Front 1951-2001-4-5-7-8-11-20-1-3-55		1
	304884 Left Front 2001A-3-6		1
	237403 Left Front 2001A Amb.-2003A		1
	302918 Left Rear (15/16" bore) 1951-20th Sr.		1
	304884 Left Rear (1" bore) 20th Sr.		1
	237405 Left Rear 2001A Amb.-2003A		1
	6229 (50.003) Screw 5/16-18 x 1/2 hex. hd 1951 ..		8
	6044 (50.230) Lockwasher 5/16 1951		8
1.0232	SCREW, Wheel cylinder bleeder		
	302959 1951-20th Sr.		4
	5676 (50.000) Plug #10-32 x 5/8		4
	5500 (50.220) Lockwasher 3/16		4
	7146 (50.004) Port screw 2001A Amb.-2003A		4
	237407 (50.660) Gasket (port screw) 2001A Amb.-2003A ..		4
1.024	BOOT, Wheel cylinder		
	302970 1951-2000-1-1A-3-4-5-6-7-8-10-11-20-1-3-55 ..		8
	237408 Front 2001A Amb.-2003A		4
	302970 Rear 2001A Amb.-2003A		4
1.025	LINK, Brake wheel cylinder connecting		
	341098 1951		8
	311983 (50.400) Rivet 1951		8
1.026	CUP, Wheel cylinder		
	302965 Front 2000-10-20		4
	302964 Front 1951-2001-4-5-7-8-11-21-3-55		4
	304888 2001A-3-6		8
	237410 Front 2001A Amb.-2003A		4
	302965 Rear 1951-2000-1-4-5-7-8-10-11-20-1-3-55		4
	237413 Rear 2001A Amb.-2003A		4
1.027	SPRING, Wheel cylinder cup		
	302969 Front 2000-1A-3-6-10-20		2
	302968 Front 1951-2001-4-5-7-8-11-21-3-55		2
	237411 Front 2001A Amb.-2003A		2
	302969 Rear 1951-2000-1-1A-3-4-5-6-7-8-10-11-20-1-3-55		2
	302968 Rear 2001A Amb.-2003A		2
1.028	PISTON, Wheel cylinder		
	302967 Front 2000-10-20		4
	302966 Front 1951-2001-4-5-7-8-11-21-3-55		4
	304890 Front 2001A-3-6		4
	237412 Front 2001A Amb.-2003A		4
	302967 Rear 1951-2000-1-1A-3-4-5-6-7-8-10-11-20-1-3-55		4
	237414 Rear 2001A Amb.-2003A		4
1.029	REPAIR KIT, Wheel cylinder		
	333754 Front (15/16" bore) 1951-2000-10-20		2
	333753 Front (1-1/16" bore) 1951-2001-4-5-7-8-11-21-3-55		2
	333752 Front (1" bore) 2001A-3-6		2
	242505 Front (1-1/4" bore) 2001A Amb.-2003A		2
	333754 Rear (15/16" bore) 2000-1-3-4-5-6-7-8-10-11-20-1-3-55		2
	333752 Rear (1" bore) 2000-1-1A-3-4-5-6-7-8-10-11-20-1-3-55		2
	242504 Rear (1-1/8" bore) 2001A Amb.-2003A		2
1.030	CONNECTOR, Wheel cylinder tube		
	302912 1951-20th Sr.		2
	302701 Gasket 1951-20th Sr.		2

BRAKE

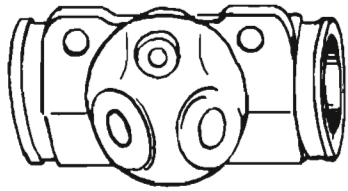
1.100 - 1.132

INDEX NO.	PART NO.	DESCRIPTION AND MODELS	PER CAR	INDEX NO.	PART NO.	DESCRIPTION AND MODELS	PER CAR
BRAKE—HAND				BRAKE—HAND—Continued			
1.100		LEVER, Brake equalizer		1.1087		BOOT, Lever cable	
	371032	1951-2000-1-3-6-10-11	1		362301	1951-20th Sr.	1
	330869	2001A-3A-4-5-7-8-20-1-3-55	1	1.1095		YOKE END, Lever cable	
	7822	(50.003) Bolt 3/8-24 x 1-1/2 2001A-3A-5-8-30-55	1		7515	1951-2000-1-3-6-10-11	1
	7841	(50.003) Bolt 3/8-24 x 1-1/4 2004-7-20-1-3	1		330697	LHD 2001A-3A-4-5-7-8-20-1-3-55	1
	5506	(50.220) Lockwasher 3/8 2001A-3A-4-5-7-8-20-1-3-55	1		330970	RHD 2001A-3A-4-5-7-8-20-1-3-55	1
	7006	(50.100) Nut 3/8-24 2001A-3A-4-5-7-8-20-1-3-55	1		4290	(50.240) Cotter pin 3/32 x 5/8	1
	6899	Spacer 2001A-3A-5-8-30-55	1		7005	(50.100) Nut 5/16	1
	191995	SPRING Washer 2001A-3A-4-5-7-8-20-1-3-55	1		7525	(50.555) 5/16 Yoke end pin 1951	2
	304059	Washer 2001A-3A-4-5-7-8-20-1-3-55	1		330698	(50.555) Pin 5/16 20th Sr.	1
1.101		BUSHING, Equalizer lever bolt		1.118		PAWL, Lever	
	232196	1951-2001A-3A-4-5-7-8-20-1-3-55	1		358427	1951-20th Sr.	1
1.1013		LINK, Brake equalizer lever			354702	(50.400) Rivet 1951-20th Sr.	1
	373636	1951-2000-1-3-6-10-11	1	1.119		LEVER, Lever release	
	7006	(50.100) Nut 3/8-24	2		358426	1951-20th Sr.	1
1.102		PLATE, Equalizer		1.120		SPRING, Lever release lever	
	373641	1951-2000-1-3-6-10-11	1		354700	1951-20th Sr.	1
	316027	2001A-3A-4-5-7-8-20-1-3-55	1	1.121		SECTOR, Lever	
1.103		SPRING, Equalizer retracting			354697	1951	1
	333475	2000-1-3-6-10-11	2		379666	20th Sr.	1
	333475	1951-2001A-3A-4-5-7-8-20-1-3-55	1		354701	(50.400) Rivet	1
1.105		LEVER ASSEMBLY, Brake (Hand)			354702	(50.400) Rivet	1
	358411	(Tan) 1951	1	1.123		CABLE ASSEMBLY, Lever rear wheel	
	379642	2000-1-1A-3-3A-4-5-10-11-55	1		367953	1951-2000-1-3-6-10-11	1
	379646	(Chrome plate) 2006-7-8	1		333436	2001A-3A	2
	*379908	(Painted) 2006	1		341809	2004-7-30	2
	379645	(Black) 2020-1-3	1		333437	2005-8-55	2
	379643	(Blue Gray) 2020-1-3	1		333434	2020	2
	379644	(Green Gray) 2020-1-3-30	1		333434	2021-3	2
	379642	(Tan) 2020-1-3	1	1.1230		CLIP, Lever rear wheel cable (to frame)	
	5506	(50.220) Lockwasher 3/8	2		324609	2020-1-3	2
	7512	(50.003) Screw 3/8-24 x 1-1/8	2		7379	(50.003) Bolt 5/16-24 x 5/8	4
	7818	(50.003) Screw 3/8-24 x 7/8 hex. hd. 1951 ..	2		5504	(50.220) Lockwasher 5/16	4
	379610	Spacer 20th Sr.	1		7005	(50.100) Nut 5/16	4
	126770	Washer 3/8 plain 20th Sr.	1	1.1231		CLIP, Lever rear wheel cable to support plate	
1.106		BRACKET ASSEMBLY, Brake (hand) lever			373355	1951-2000-1-3-6-10-11	2
	372246	1951-20th Sr.	1		324102	2001A-3A-4-5-7-8-10-11-30-55	2
	7123	Screw 5/16-24 x 3/4 hex. hd.	2		348020	Right 2020-1-3	1
	5504	Lockwasher 5/16	2		348021	Left 2020-1-3	1
	6359	Washer 5/16	2		5504	(50.220) Lockwasher 5/16	4
	372499	Clinch nut 5/16-24	2		6010	(50.003) Screw 5/16-24 x 5/8 hex. hd. 1951 ..	4
1.108		CABLE ASSEMBLY, Lever			7379	(50.003) Screw 5/16-24 x 5/8 20th Sr.	4
	371113	LHD 1951-2000-1-3-6-10-11	1	1.125		BRACKET, Lever rear wheel cable (to frame X member)	
	351991	LHD 2001A-3A-4-5-7-8-20-1-3-55	1		333914	Right 2001A-3A-4-5-7-8-30-55	1
	379467	RHD 2000-1-10-11	1		333913	Left 2001A-3A-4-5-7-8-30-55	1
	351992	RHD 2001A-3A-4-5-7-8-20-1-3-55	1		7809	(50.003) Bolt 5/16-24 x 7/8	4
1.1086		CLIP, Lever cable assembly			7383	(50.003) Bolt 5/16-24 x 1 20th Sr. (Attaching Parts 1951)	2
	324108	LHD Lower 1951-20th Sr.	1		5504	(50.220) Lockwasher 5/16 20th Sr. (Attaching Parts 1951)	x
	324108	Upper 1951-20th Sr.	1		7005	(50.100) Nut 5/16 20th Sr. (Attaching Parts 1951)	x
	324217	RHD Lower 2001A-3A-4-5-7-8-20-1-3-55	1	1.127		FELT, Lever rear wheel cable clip (to support plate)	
	213021	RHD Lower Rear 2001A-3A-4-5-7-8-20-1-3-55 ..	1		302944	1951-20th Sr.	2
	5504	(50.220) Lockwasher 5/16	x	1.132		YOKE END, Lever rear wheel cable	
	5506	(50.220) Lockwasher 3/8	x		333891	2001A-3A-4-5-7-8-20-1-3-55	2
	7005	(50.100) Nut 5/16-24	x		4290	(50.240) Cotter pin 3/32 x 5/8	2
	7006	(50.100) Nut 3/8-24	x		7005	(50.100) Nut 5/16-24	2
	6087	(50.003) Screw 5/16-24 x 1" hex. hd. 1951 ..	4		6198	Pin 5/16	2
	7383	(50.003) Screw 5/16-24 x 1" 20th Sr.	x				
	7388	(50.003) Screw (Clamping) 3/8-24 x 1 2001A-3A-4-5-7-8-20-1-3-55	1				
	8094	(50.003) Screw 5/16-24 x 2 2000-1-3-6-10-11 ..	2				
	7389	(50.003) Screw (lower) 3/8-24 x 1-1/4 2001A-3A-4-5-7-8-20-1-3-55	2				
	378725	Spacer Lower LHD 2000-1-3-6-10-11	2				
	338254	Spacer Lower RHD 2001A-3A-4-5-7-8-20-1-3-55 ..	1				

▲ Used on Clipper Four Door Sedans built after Jan. 1, 1942 only. All other body types have chrome trim.



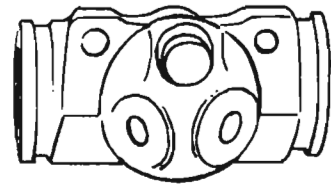
BRAKE SYSTEM



1.0231



1.027



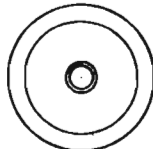
1.0231



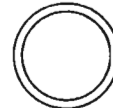
1.0232



1.028



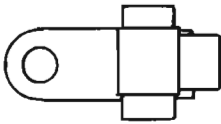
1.024



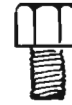
1.026



1.611



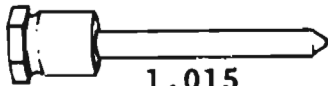
1.606



1.030



1.608



1.015



1.016



1.011



1.005



1.018



1.007



1.020



1.004



1.006



1.012



1.009



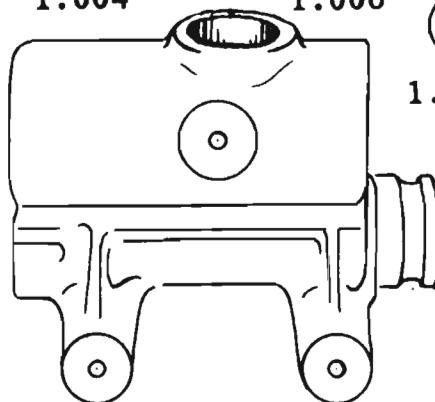
1.0101



1.002



1.017



1.001



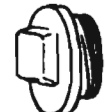
1.003



1.003



1.010



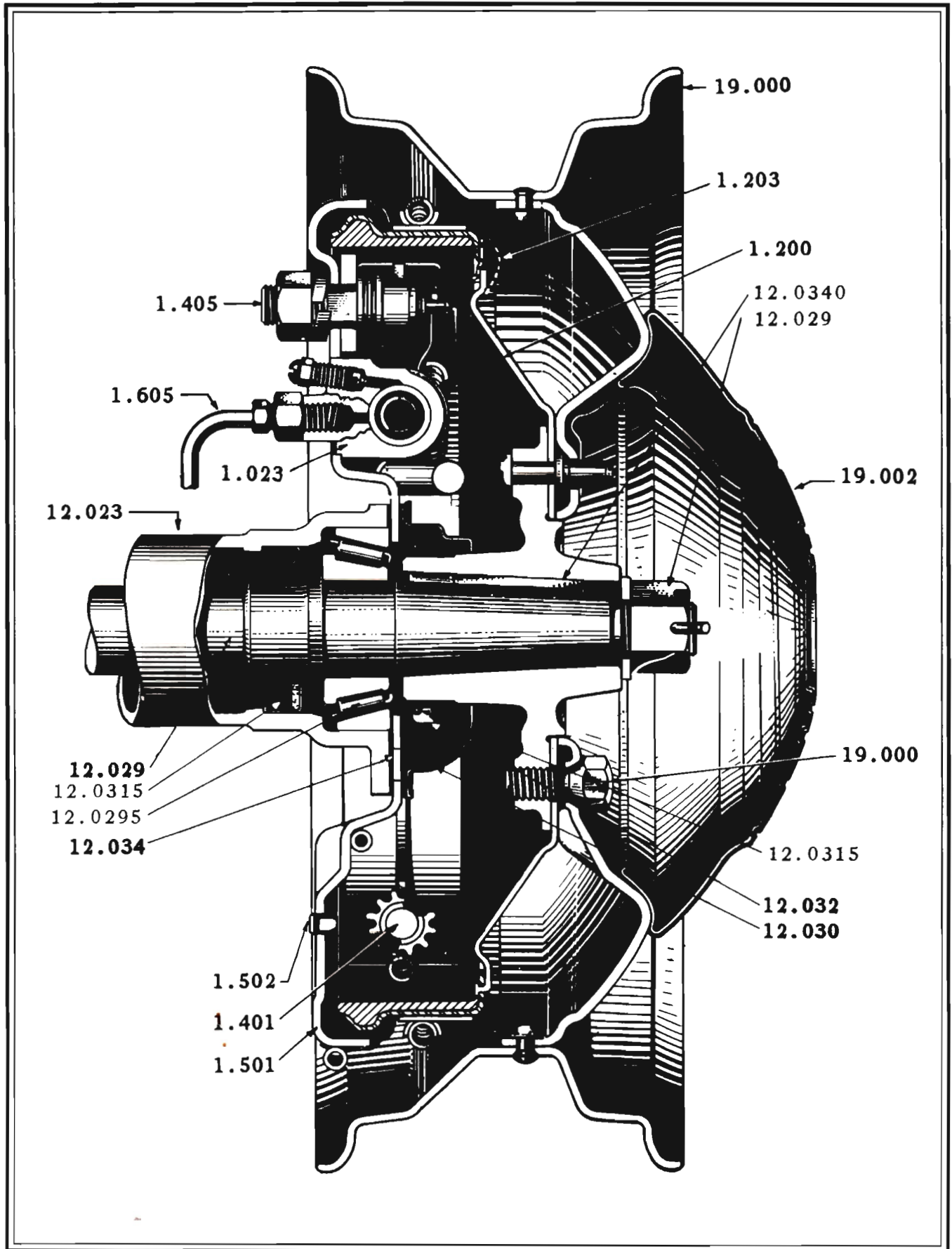
1.008

BRAKE MASTER CYLINDER AND WHEEL CYLINDER PARTS

BRAKE

INDEX NO.	PART NO.	DESCRIPTION AND MODELS	PER CAR
BRAKE WHEEL HUB AND DRUM			
1.200	BRAKE DRUM AND HUB ASSEMBLY		
	367715	Front 1951	2
	377231	Front 2000-1-10-11	2
	316491	Front 2001A-4-5-7-8-55	2
	234734	Front 2001A Amb.	2
	378493	Front 2003-6	2
	234734	Front 2003A	2
	341981	Front 2020-1	2
	351422	Front 2023	2
	373949	Rear 2000-10-20	2
	378455	Rear 2001-11	2
	316492	Rear 2001A-5-8-30-55	2
	333200	Rear 2001A Amb.	2
	351423	Rear 2003-6-23	2
	333200	Rear 2003A	2
	333931	Rear 2004-7	2
	341982	Rear 1951-2021	2
1.201	SPRING, Drum dampener		
	234839	2001A-3A-4-5-7-8-55	4
	234839	Rear 2030	2
1.203	COVER, Drum inspection hole		
	304815	1951-20th Sr.	4
BRAKE PEDAL			
1.300	PEDAL, Brake		
	371005	LHD 1951-2000-1-3-6-10-11	1
	341773	LHD 2001A-3A-4-5-7-8-20-1-3-55	1
	378457	RHD 2000-1-10-11	1
	324461	RHD 2001A-3A-4-5-7-8-20-1-3-55	1
1.301	BOOT, Pedal		
	300915	1951-20th Sr.	1
1.302	CONNECTING ROD, Pedal (to master cylinder)		
	367875	LHD 1951-2000-1-3-6-10-11	1
	341055	(Not used on RHD-2020) 2001A-3A-4-5-7-8-20-1-3-55	1
	378460	RHD 2000-1-10-11	1
	341056	RHD 2020	1
	7007	(50.100) Lock Nut 7/16 - 20	1
1.303	PIN, Pedal (to master cylinder) connecting rod		
	324464	RHD 2001A-3A-4-5-7-8-20-1-3-55	1
	4305	(50.240) Cotter pin 1/8 x 7/8 20th Sr. (Attaching Parts 1951)	1
	190191	Spring washer 20th Sr. (Attaching Parts 1951)	1
	3877	(50.200) Washer 3/8 20th Sr. (Attaching Parts 1951)	1
1.304	PAD ASSEMBLY, Pedal		
	335927	LHD 1951-2000-1-3-6-10-11	1
	335928	LHD 2001A-20-1	1
	338270	LHD 2003A-4-5-7-8-23-55	1
	335928	RHD 2000-1-10-11	1
	240486	RHD 2001A-3A-4-5-7-8-20-1-3-55	1
	6087	(50.003) Screw 5/16-24 x 1 hex, hd.	1
	5504	(50.220) Lockwasher 5/16	1
	7005	(50.100) Hex nut 5/16-24	1
1.305	SPRING, Pedal retracting		
	371101	1951-2000-1-3-6-10-11	1
	324092	2001A-3A-4-5-7-8-20-1-3-55	1
1.306	RUBBER SET, Brake & clutch pedal		
	98766	(Super 169182) 1951-20th Sr.	1
1.3065	SHAFT, Brake pedal		
	378438	RHD 2000-1-10-11	1
	216549	Connector (lubricator)	1
	5502	(50.220) Lockwasher 1/4	1
	7766	(50.003) Screw 1/4-20 x 5/8	1

INDEX NO.	PART NO.	DESCRIPTION AND MODELS	PER CAR
BRAKE SHOES			
1.400	SHOE SET, Brake (shoe and lining)		
	351209	Front (2 wheel) 1951-2000-10-20	1
	351211	Front (2 wheel) 2003-6	1
	367580	Front (2 wheel) 2030	1
	351210	Rear (2 wheel) 2000-10-20	1
	351651	Rear (2 wheel) 2003-6	1
	379211	Rear (2 wheel) 2030	1
	351209	Front or rear (2 wheel) 2001-11-21	2
	351211	Front or rear (2 wheel) 2001A-4-5-7-8-55	2
	354063	Front or rear (2 wheel) 2001A-Amb.-2003A	2
	351651	Front or rear (2 wheel) 2023	2
1.401	SCREW, Shoe adjusting		
	303051	1951-20th Sr.	4
	303052	Pivot Nut 1951-20th Sr.	4
1.402	SOCKET, Shoe adjusting screw		
	303053	1951-20th Sr.	4
1.403	SPRING, Shoe adjusting screw		
	303063	1951-20th Sr.	4
1.405	PIN, Shoe anchor		
	335597	1951-2000-1-10-11-20-1	2
	338259	2001A-3-4-5-6-7-8-23-55	4
	303065	(50.220) Lockwasher	4
	7010	(50.100) Nut 5/8-18 hex	4
1.406	PLATE, Shoe anchor pin guide		
	335504	1951-20th Sr.	4
1.407	SPRING, Shoe anchor pin (to shoe)		
	303836	(Secondary) 1951-20th Sr.	4
	303837	(Primary) 1951-20th Sr.	4
1.408	ECCENTRIC ASSEMBLY, Shoe		
	202699	2001A-3-4-5-6-7-8-55	4
1.409	SPRING, Shoe hold down		
	303064	1951-2000-1-10-11-21	8
	237893	2001A-3-4-5-6-7-8-20-3-55	8
1.410	CUP, Shoe hold down spring		
	202721	(Inner) 1951-20th Sr.	8
	379812	(Outer) 1951-20th Sr.	8
1.411	PIN, Shoe hold down spring		
	302717	1951-2000-1-10-11-21	8
	302720	2001A-4-5-7-8-20-3-55	8
	237891	2003-6	8
1.412	LINING SET, Brake		
	338371	Front (2 wheel) 2000-10-20	1
	338410	Front (2 wheel) 2003-6	1
	367582	Front (2 wheel) 2030	1
	338370	Rear (2 wheel) 2000-10-20	1
	351650	Rear (2 wheel) 2003-6	1
	379212	Rear (2 wheel) 2030	1
	338371	Front or Rear (2 wheel) 1951-2001-11-21	2
	338410	Front or Rear (2 wheel) 2001A-4-5-7-8-55	2
	239142	Front or Rear (2 wheel) 2001 Amb.-2003A	2
	351650	Front or Rear (2 wheel) 2023	2
1.413	SPRING, Shoe		
	304879	2001A-4-5-7-8-55	4
1.414	STRUT, Shoe		
	335589	1951	2
	303058	2001A-4-5-7-8-55	2
	237878	2003-6	1
	303060	(50.241) Washer	2
1.415	LEVER, Brake shoe strut		
	335506	Right 1951	1
	335505	Left 1951	1



BRAKE SUPPORT PARTS

BRAKE

INDEX NO.	PART NO.	DESCRIPTION AND MODELS	PER CAR	INDEX NO.	PART NO.	DESCRIPTION AND MODELS	PER CAR
BRAKE SHOES—Continued				BRAKE TUBING—Continued			
1.4155	PIN,	Shoe strut lever		1.601	TUBE ASSEMBLY,	(Front end junction to brake hose)	
335440	1951-2001-11-21	2	373360	Right 1951	1
237899	2001A-3-4-5-6-7-8-55	2	373359	Left 1951	1
351479	2023	2	324150	LHD (8") 2001A-3A-4-5-7-8-20-1-3-55	1
237895	(50.242) Spring washer	20th Sr.	2	348911	LHD (43-13/16") 2001A-20-1	1
7699	(50.100) Locknut	3/8-24 1951	2	362087	LHD (46-1/8") 2003A-4-5-7-8-23-55	1
7006	(50.100) Nut	3/8-24 1951	2	373828	LHD Right 2003-6	1
1.416	SPRING,	Shoe strut		373359	LHD Left 2003-6	1
335580	(to shoe) 1951-2001-1A-11	2	324150	RHD 2001A-3A-4-5-7-8-20-1-3-55	2
302729	(to lever) 2001A-3-4-5-6-7-8-55	2	1.602	TUBE ASSEMBLY (Front end junction to rear axle junction)		
303061	2004-5-7-8-55	2	358173	RHD 2001A-3A	1
BRAKE SUPPORT PLATE				358174	RHD 2004-7	1
1.500	PLATE ASSEMBLY,	Brake support (front)		358175	RHD 2005-8-55	1
371069	1951-2000-1-10-11	2	351058	RHD 2020	1
378721	2003-6	2	351057	RHD 2021-3	1
348023	2020-1	2	1.6025	TUBE ASSEMBLY, (Master cylinder to front brake hose)		
351480	2023	2	373827	LHD Right 2000-1-10-11	1
316486	Right 2001A-4-5-7-55	1	367963	LHD Left 2000-1-10-11	1
316485	Left 2001A-4-5-7-55	1	1.603	TUBE ASSEMBLY, (Master cylinder to front end junction)		
237711	Right 2001A-3A Amb.	1	324155	LHD 2001A-3A-4-5-7-8-21-3-55	1
237710	Left 2001A-3A Amb.	1	367967	LHD 1951-2003-6	1
4291	(50.240) Cotter pin	3/32 x 3/4 1951-20th Sr.	8	324153	LHD 2020	1
5510	Lockwasher	1/2 std. 2001A Amb.-2003A	2	324156	RHD 2001A-3A-4-5-7-8-21-3-55	1
7107	(50.110) Nut	7/16-20 1951-20th Sr.	8	324154	RHD 2020	1
7108	Nut	1/2-20 2001A Amb.-2003A	4	1.604	TUBE ASSEMBLY (Master cylinder to rear axle junction)		
373855	Screw (Lower)	2000-1-3-6-10-11	2	367968	LHD 1951-2000-1-3-6-10-11	1
371078	Screw (Upper)	1951-2000-1-3-6-10-11	4	358177	LHD 2001A-3A	1
302075	Screw (Intermediate)	2001A-4-5-7-8-20-1-3-55	2	358176	LHD 2004-7-30	1
234577	Screw (Intermediate)	2001A Amb.	2	358178	LHD 2005-8-55	1
315760	Screw (Long)	2001A-4-5-7-8-20-1-3-55	2	348908	LHD 2020-1-3	1
234579	Screw (Long)	2001A Amb.	2	1.605	TUBE ASSEMBLY, (Rear axle junction to rear wheel)		
302077	Screw (Short)	2001A-3A-4-5-7-8-20-1-3-55	4	377228	Right 2000-1-10-11	1
234577	Screw (Intermediate)	2003A	2	324146	Right 2001A-3A-5-8-55	1
234579	Screw (Long)	2003A	2	377205	Right 1951-2003-6	1
373755	Stop screw	2000-1-3-6	2	319993	Right 2004-7-21-3-30	1
3883	(50.200) Washer	7/16 Plain 2000-1-3	x	347132	Right 2020	1
1.501	PLATE ASSEMBLY,	Brake support (rear)		347131	Left 1951-2000-1-3-4-6-7-10-11-20-1-3	1
347087	Right 2000-10-20	1	333688	Left 2001A-3A-5-8-55	1
378653	Right 2001-11	1	1.6054	CLIP, Tube		
316600	Right 2001A-5-8-55	1	302134	(To front channel) 1951 20th Sr.	2
333942	Right 2001A-3A Amb.-2004-7-30	1	302134	(To frame side) 1951-2000-1-3-6-10-11	4
351482	Right 2003-6-23	1	1.6056	CLIP, Tube (and wiring harness)		
348025	Right 1951-2021	1	320296	(1/4 double) 2001A-3A-4-5-7-8-20-1-3-55	3
347086	Left 2000-10-20	1	320297	(1/4 x 3/8 double) 2001A-3A-4-5-7-8-20-1-3-55	1
378652	Left 2001-11	1	1.606	JUNCTION ASSEMBLY, Tubes front end		
316601	Left 2001A-5-8-55	1	302703	LHD 1951-2001A-3-3A-4-5-6-7-8-20-1-3-55	1
333941	Left 2001A-3A Amb.-2004-7-30	1	302703	RHD 2001A-3-3A-4-5-6-7-8-20-1-3-55	2
351481	Left 2003-6-23	1	303939	(50.080) Screw	5/16-18 x 1/2	x
348024	Left 1951-2021	1	1.607	HOSE ASSEMBLY, Tubes		
5506	(50.220) Lockwasher	3/8	x	315829	1951-20th Sr.	3
7006	(50.100) Nut	3/8-24	x	1.6075	GASKET, Tube hose assembly (front)		
7853	Screw	3/8-24 x 1-1/8	x	302701	1951-20th Sr.	2
1.502	COVER, Support plate adjusting hole			216724	Clip	3
202719	1951 20th Sr.	4	1.608	JUNCTION, Tubes rear axle		
1.5035	SEAL, Support plate water			302501	1951-20th Sr.	1
234729	2001A Amb.-2003A	4	1.609	VENT SCREW, Tube rear axle junction		
316187	2001A-4-5-7-8-55	4	330801	7/16-20 x 7/8 1951-20th Sr.	1
316187	Front 2003-6	2	5806	(50.230) Lockwasher	7/16 internal	1
316187	Rear 2030	2				
1.504	SPRING, Support plate water seal						
316188	2001A-3A-4-5-7-8-55	4				
316188	Front 2003-6	2				
316188	Rear 2030	2				
BRAKE TUBING							
1.600	TUBE ASSEMBLY,	Brake (front cross tube)					
324152	RHD 2001A-20-1	1				
362086	RHD 2003A-4-5-7-8-23-55	1				

BRAKE AND BUMPER

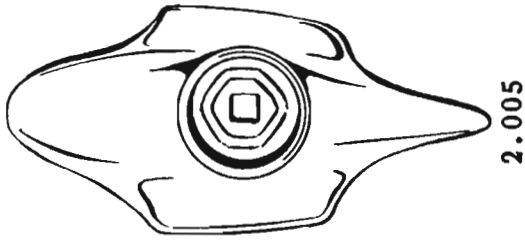
1.610 - 2.0015

INDEX NO.	PART NO.	DESCRIPTION AND MODELS	PER CAR	INDEX NO.	PART NO.	DESCRIPTION AND MODELS	PER CAR
BRAKE TUBING—Continued				BUMPER			
1.610	CAP,	Tube rear axle junction vent screw		2.000	BUMPER ASSEMBLY, Front		
	330802	1951-20th Sr.	1	371279	Front	1951	1
1.611	UNION NUT,	Tubes		378926	Front (Polished chrome)	2000-1-3-6-10-11	1
	302492	1951-20th Sr.	12	382101	Front (Chrome-not polished)	2000-1-3-6-10-11 ..	1
				362850	Front 2001A-3A		1
				362835	Front 2004-5-23-55		1
				362157	Front 2007-8		1
				356832	Front 2020		1
				†362231	Front (Does not have bumper guard bar (tube) 2021		1
				‡362850	Front (Has bumper guard bar (tube) 2021		1
				367328	Front 2030		1
				373483	Bolt (Chrome polished) (Impact bar to outer support bar) 2000-1-3-6-10-11		2
				382187	Bolt (Chrome not polished) (Impact bar to outer support bar) 2000-1-3-6-10-11		2
				‡341884	Bolt (Impact bar to outer support bar) 20001A-3A-4-5-7-8-21-3-55		2
				†341899	Bolt 1/2-20 x 1-1/8 (Impact bar to outer support bar) 2020-1		2
				7160	(50.120) Nut 1/2-20 Marsden Type 1951		4
				7156	(50.120) Nut 1/2-20 1951-20th Sr.		x
				6516	(50.003) Screw 1/2-20 x 1-1/4 hex. hd. 1951 ..		4
				303591	Screw 1/2-20 x 1-1/2 (to frame) 1951-20th Sr.		4
				221981	Washer 1951-20th Sr.		2
				7322	(50.000) Washer 1/2 1951-2000-1-3-6-10-11 ..		2
				7329	(50.200) Washer 1/2 2000-1-3-6-10-11		2
				2.0005	BUMPER ASSEMBLY, Rear		
				371267	Rear 1951		1
				378934	Rear (chrome polished) 2000-1-3-6-10-11		1
				382102	Rear (chrome not polished) 2000-1-3-6-10-11 ..		1
				362156	Rear 2001A-3A-4-5-7-8-23-55		1
				‡362156	Rear (Has bumper guard bar (tube) 2021		1
				†356833	Rear (Does not have bumper guard bar (tube) 2020-1		1
				367024	Rear 2030		1
				382187	Bolt (Chrome not polished) (Impact bar to outer support bar) 2000-1-3-6-10-11		2
				373483	Bolt (Chrome polished) (Impact bar to outer support bar) 2000-1-3-6-10-11		2
				‡341884	Bolt (Impact bar to support bars) 2001A-3A-4-5-7-8-21-3-55		4
				†341899	Bolt 1/2-20 x 1-1/8 (Impact bar to support bars) 2020-1		4
				7156	(50.120) Nut 1/2-20 20th Sr.		x
				6135	(50.003) Screw 1/2-20 x 1-1/4 hex. hd. (to frame) 20th Sr.		x
				7329	(50.200) Washer 1/2 x 1-1/16" 20th Sr.		x
				7322	(50.200) Washer 1/2" x 1-3/8" 20th Sr.		x
				2.0015	BOLT, Bar (front) hole cover		
				364724	2030		3
				341899	1/2 - 20 x 1 - 1/8 2055		6
				6359	Lockwasher 5/16 2030		3
				7163	Nut 5/16 - 18 2030		3
				2.001	BAR, Bumper		
				371280	Front (Polished chrome) 1951-2000-1-3-6-10-11 ..		1
				382108	Front (Chrome not polished) 2000-1-3-6-10-11 ..		1
				‡362177	Front 2001A-3A-4-5-7-8-21-3-55		1
				†356834	Front 2020-1		1
				371268	Rear 1951		1
				378944	Rear (Polished chrome) 2000-1-3-6-10-11		1
				‡362178	Rear 2001A-3A-4-5-7-8-21-3-55		1
				†358129	Rear 2020-1		1
				2.0015	BOLT, Bumper bar		
				373483	(Front bar) 1951		2
				341884	(50.092) (Center - rear bar) 1951		1
				373483	(Outer - rear bar) 1951		2
				7329	(50.200) Washer 1/2 (Front and rear bar) 1951		5
				7156	(50.120) Nut 1/2-20 Marsden (front and rear bar) 1951		5

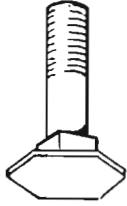
†Use with type which does not have bumper guard bar (tube). 11
 ‡Two types of bumper assemblies were used on model 2021 -
 Use with type having bumper guard bar (tube).

FRONT 2.012
REAR 2.013

Support Bar-Inner



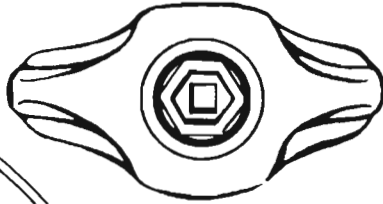
2.005



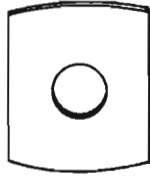
2.0050



2.0050



2.005



2.0050



2.009



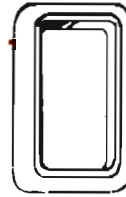
2.005



2.000



2.002



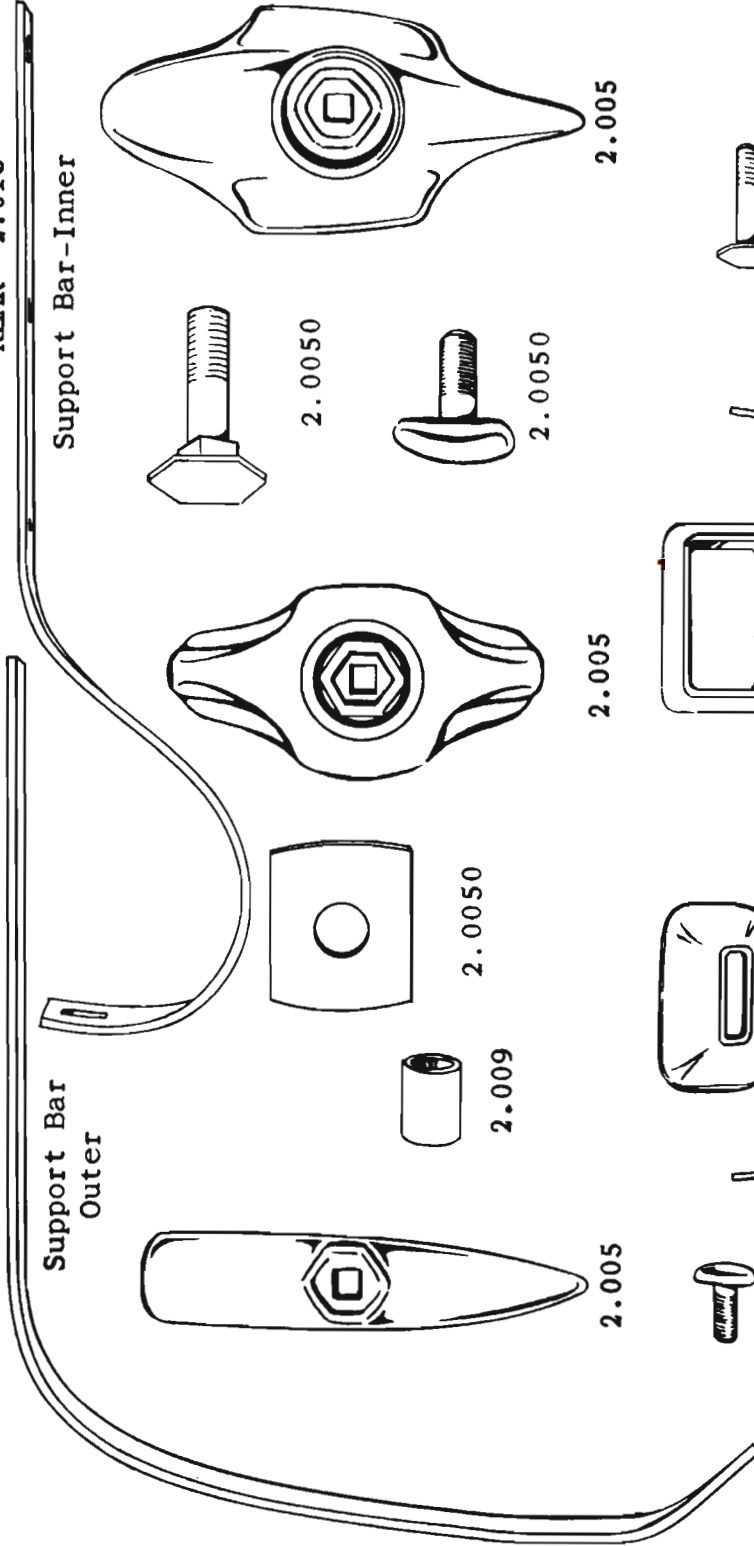
2.002



2.000

FRONT 2.012
REAR 2.013

Support Bar
Outer



2.000

2.001

FRONT AND REAR BUMPER PARTS

INDEX NO.	PART NO.	DESCRIPTION AND MODELS	PER CAR	INDEX NO.	PART NO.	DESCRIPTION AND MODELS	PER CAR
BUMPER—Continued				BUMPER—Continued			
2.002	GROMMET, Bumper			2.0113	SHIELD ASSEMBLY, Bumper (rear) stone (Cont'd)		
	356852 Front 2001A-3A-4-5-7-8-20-1-3-55	2		7156 (50.120) Nut 1/2-20 2001A-3A-4-5-7-8-20-1-3-55	1
	†356852 Rear 2001A-3A-21	2		7160 (50.120) Lock nut 1/2-20 1951	4
2.0045	GUARDS & BARS ASSEMBLY, Bumper front				371590 Screw #14 x 3/4 tapping 1951-2000-1-3-6-10-11	x
	358822 (Auxiliary) 2030	1		7249 (50.003) Screw 1/4-28 2000-1-3-6-10-11	2
2.0050	GUARD, Bumper				371421 Speed Nut #14 1951-2000-1-3-6-10-11	x
	373584 (Front) (Chrome polished) 1951-2000-1-3-6-10-11	2		371483 Nut #14 (Front) 1951	10
	382103 (Front) (Chrome not polished) 2000-1-3-6-10-11	2		7319 (50.200) Washer 1/4 1951-2000-1-3-6-10-11	x
	378933 (Rear) (Chrome polished) 2000-1-3-6-10-11	2		7329 (50.200) Washer 1/2 1951-2001A-3A-4-5-7-8-20-1-3-55	x
	382104 (Rear) (Chrome not polished) 2000-1-3-6-10-11	2	2.0115	SHIELD ASSEMBLY, Bumper (front stone)		
	†362148 (Front Right & Rear Left) 2001A-3A-4-5-7-8-21-3-55	2		373519 1951	1
	†362146 (Front Left & Rear Right) 2001A-3A-4-5-7-8-21-3-55	2		378966 2000-1-3-6-10-11	1
	†356836 2020-1	4		373169 Right 2001A-3A-4-5-7-8-20-1-3-55	1
	358823 Front (Auxiliary) 2030	2		373168 Left 2001A-3A-4-5-7-8-20-1-3-55	1
	†358215 Bolt 2001A-3A-4-5-7-8-21-3-55	4		371666 Spacer (Rubber)	2
	7156 (50.120) Nut 1/2-20 1951-20th Sr.	x	2.01153	ANTI-RATTLER, Bumper stone shield		
	5506 Lockwasher (For Aux. guard) 2030	4		373459 Front 2001A-3A-4-5-7-8-20-1-3-55	2
	7306 Nut (For Aux. guard) 2030	4	2.0116	SPRING, (Rear) stone shield outer bracket		
	7329 (50.200) Washer (Stud) (front guard) 1951-2000-1-3-6-10-11	12		356822 2004-5-7-8-20-1-3-55	2
	304914 (50.200) Washer 1/2 spec. 1951	2	2.0117	CLIP, (Rear) stone shield (to fender)		
	304962 Washer 1/2 20th Sr.	x		362254 2004-5-7-8-20-1-3-55	2
2.006	BAR, Guard			2.0118	LINER, Bumper stone shield		
	†358208 (Front - tubing) 2001A-3A-21	1		373515 (Front to fender) 1951-2000-1-3-6-10-11	2
	362836 (Front tubing) 2004-5-23-55	1		371504 (Rear to body) 1951-2000-1-3-6-10-11	2
	358192 (Front tubing) 2007-8	1		373518 (Front to grille) 1951	2
	358824 (Front - auxiliary) 2030	3	2.0119	SEAL, Bumper (rear) stone shield		
	†358208 (Rear tubing) 2001A-3A-4-5-7-8-21-3-55	1		371477 (To bumper) 1951	2
	6902 (50.120) Nut 3/8-24	4		371477 (to bumper) 2000-1-3-6-10-11	1
	358209 Stud	4		356825 (Side) 2004-5-7-8-20-1-3-55	2
	114055 Washer	4		356824 (Upper) 2004-5-7-8-20-1-3-55	1
2.007	CLAMP, (front) guard bar			2.012	BAR, Support (front)		
	351376 2030	2		371291 Inner Right 1951	1
2.008	PLATE, Guard bar cover				378930 Inner Right 2000-1-3-6-10-11	1
	†362172 2001A-3A-4-5-7-8-21-3-55	4		†362176 Inner Right 2001A-3A-4-5-7-8-21-3-55	1
2.009	SPACER, Guard				†362041 Inner Right 2020-1	1
	371537 (Front to bumper) 1951-2000-1-3-6-10-11	2		362041 Inner Right 2030	1
	378986 (Rear to bumper) 2000-1-3-6-10-11	2		371289 Inner Right 1951	1
	†367109 2020-1	x		378931 Inner Left 2000-1-3-6-10-11	1
	†7329 (50.200) Washer 1/2 2000-1-1A-3-3A-4-5-7-8-10-11-21-55	x		†362175 Inner Left 2001A-3A-4-5-7-8-21-3-55	1
	†304962 Washer 2020-1	2		†356843 Inner Left 2020-1	1
2.0095	MEDALLION, Bumper (front)				356843 Inner Left 2030	1
	356840 2020	1		371292 Outer Right 1951	1
	†362232 2021	1		378932 Outer Right 2000-1-3-6-10-11	1
	358712 Bolt 1/2-20 x 1-1/4 2020	1		†362042 Outer Right 2001A-3A-4-5-7-8-21-3-55	1
	†362285 Bolt 1/2-20 x 1-1/2 2021	1		†362042 Outer Right 2020-1	1
	†7156 (50.120) Nut 1/2-20	1		362042 Outer Right 2030	1
	†304962 Washer 1/2	1		371290 Outer Left 1951	1
2.0096	SPACER, (Front) medallion to bumper				378929 Outer Left 2000-1-3-6-10-11	1
	†340063 2021	1		†356844 Outer Left 2001A-3A-4-5-7-8-21-3-55	1
2.0097	REINFORCEMENT, Bumper				†356844 Outer Left 2020-1	1
	367327 Front 2030	1		356844 Outer Left 2030	1
	367299 Rear 2030	1		†324197 Rivet 2000-1-3-6-10-11-20-1-3	x
2.0113	SHIELD ASSEMBLY, Bumper (rear) stone			2.013	BAR, Support (rear)		
	371460 1951	1		371277 Inner 1951	1
	378968 2000-1-3-6-10-11	1		378939 Inner Right 2000-1-3-6-10-11	1
	356367 2004-5-7-8-20-1-3-55	1		356848 Inner Right 2001A-3A-4-5-7-8-20-1-3-55	1
	367026 2030	1		367323 Inner Right 2030	1
	356829 Bolt 1/2-20 2001A-3A-4-5-7-8-20-1-3-55	1		378938 Inner Left 2000-1-3-6-10-11	1
	5502 (50.220) Lockwasher 2000-1-3-6-10-11	2		356847 Inner Left 2001A-3A-4-5-7-8-20-1-3-55	1
	7004 (50.100) Nut 1/4-28 2000-1-3-6-10-11	2		367322 Inner Left 2030	1
					371276 Outer Right 1951	1
					378937 Outer Right 2000-1-3-6-10-11	1
					356851 Outer Right 2001A-3A-4-5-7-8-20-1-3-55	1
					356851 Outer Right 2030	1
					371275 Outer Left 1951	1
					378936 Outer Left 2000-1-3-6-10-11	1

†Use with type which does not have bumper guard bar (tube) 13

†Two types of bumper assemblies were used on model 2021 - Use with type having bumper guard bar (tube).

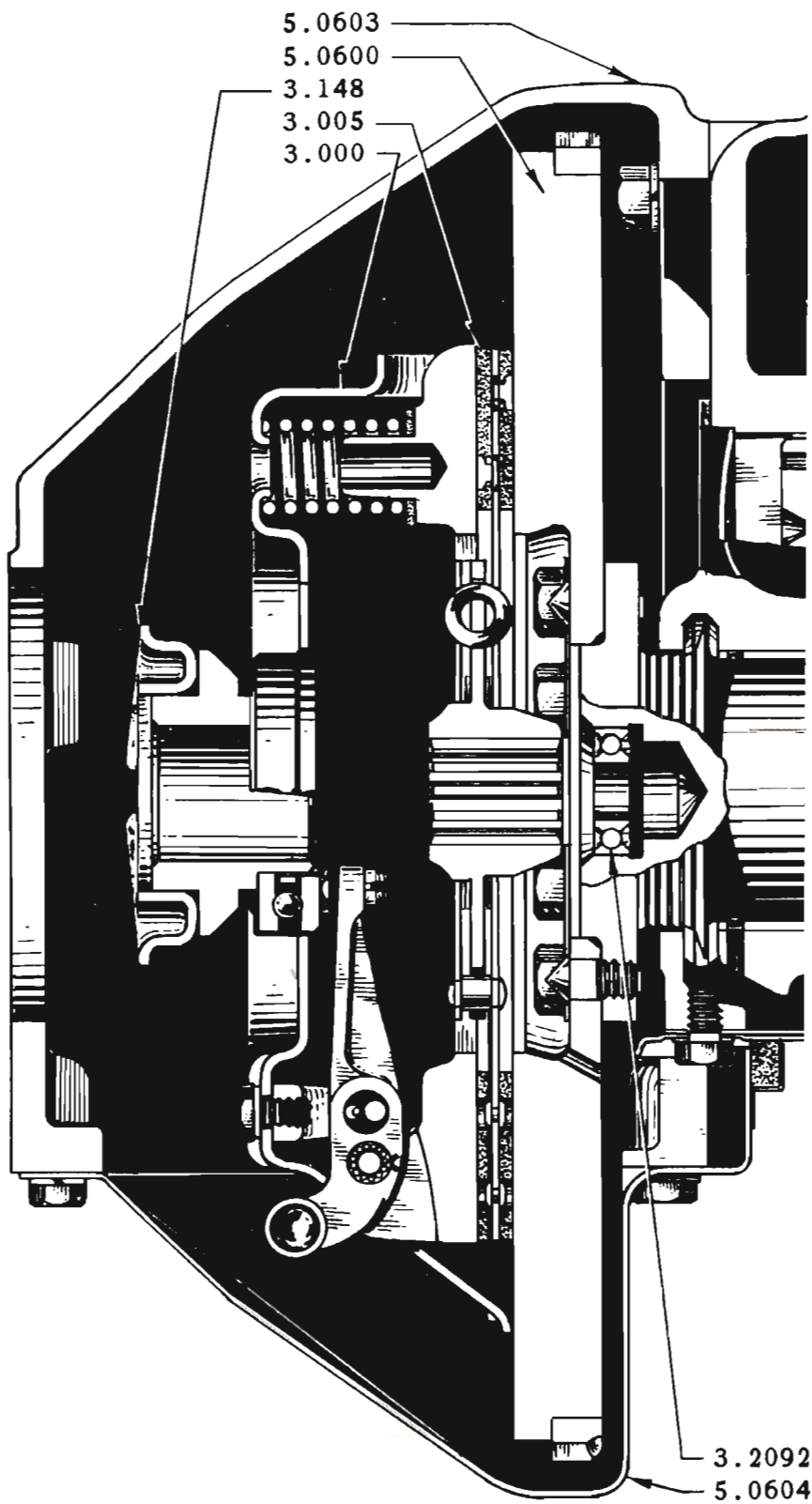
BUMPER CLUTCH AND TRANSMISSION

INDEX NO.	PART NO.	DESCRIPTION AND MODELS	PER CAR	INDEX NO.	PART NO.	DESCRIPTION AND MODELS	PER CAR
BUMPER—Continued				CLUTCH ASSEMBLY			
2.013	BAR, Support (rear) (Cont'd)			3.000	PLATE ASSEMBLY, Clutch cover		
	356849 Outer Left 2001A-3A-4-5-7-8-20-1-3-55	1		315571 2000-10-20	1
	356849 Outer Left 2030	1		*302464 2000-10-20	1
	371278 Rivet 2000-1-3-6-10-11	2		302464 1951-2001-1A-11-21	1
	324197 Rivet 2001A-3A-4-5-7-8-20-1-3	x		324926 2001A Amb.	1
2.014	BRACKET ASSEMBLY, License plate (front)				371462 2003-3A-4-5-6-7-8-23-55	1
	373463 Lower 1951-2000-1-3-6-10-11	1		371782 2030	1
	373492 Upper 2000-1-3-6-10-11	1		5504 Lockwasher 5/16 1951-20th Sr.	6
	373329 2001A-3A-4-5-7-8-20-1-3	1		6187 Screw 5/16-18 x 1 hex. hd. 20th Sr.	6
2.016	PLATE, Bracket adjusting			3.001	PLATE, (Only), Cover		
	341156 1951-2001A-3A-4-5-7-8-20-1-3	1		*303509 2000-10-20	1
2.017	SCREW, Bracket adjusting plate				371845 2000-10-20	1
	7275 (50.003) 1/4-28 x 1 1951-2000-1-3-6-10-11	..	1		303509 1951-2001-1A-11-21	1
	5502 (50.220) Lockwasher 1/4	1		304988 2003-3A-4-5-6-7-8-23-30-55	1
	6668 Nut 1/4-28	1		5504 Lockwasher	6
	373460 Spacer	1	3.005	PLATE & HUB ASSEMBLY, Driven		
	7371 Screw 1/4-28 x 3/4 hex. hd.	2		#354195 (Not used with electromatic clutch) 2000-10-20	1
	5502 Lockwasher 1/4	2		*373686 (Not used with econodrive 1951-2000-10-20	..	1
	7004 Nut 1/4-28	2		*373687 (Use with econodrive) 1951-2000-10-20	1
					371309 (Not used with electromatic clutch or econodrive) 2000-10-20	1
					373686 1951-2001-1A-11-21	1
					#373687 2001-1A-11-21	1
					378778 2001A Amb.	1
					351829 2003-3A-4-5-6-7-8-23-55	1
					356935 2030	1
				3.007	FACING, Driven plate		
					*304465 2000-10-20	2
					317849 2000-10-20	2
					304465 1951-2001-1A-11-21	2
					338216 2003-3A-4-5-6-7-8-23-30-55	2
					304993 (50.425) Rivet 1951-2000-1-1A-10-11-20-21	24
					228617 (50.425) Rivet 2003-3A-4-5-6-7-8-23-55	24
				3.009	WASHER, Driven plate hub friction		
					354196 2000-10-20	2
					*358270 2000-10-20	2
					358270 1951-2001-1A-3-3A-4-5-6-7-8-11-21-3-55	2
					338232 2030	2
				3.010	SPRING, Driven plate hub		
					*330666 2000-10-20	6
					371314 2000-10-20	6
					330666 1951-2001-1A-11-21-30	6
					303469 2003-3A-4-5-6-7-8-23-55	4
					354084 (Aluminum enameled) 2003-3A-4-5-6-7-8-23-55	..	4
				3.0105	REFACING KIT, Driven plate		
					348991 2000-10-20	1
					*348992 2000-10-20	1
					348992 1951-2001-1A-11-21	1
					348993 2003-3A-4-5-6-7-8-23-30-55	1
				3.011	PLATE, Pressure		
					303510 1951	1
					*378559 2000-10-20	1
					378558 2000-10-20	1
					378559 2001-1A-1A Amb.-11-21	1
					378560 2003-3A-4-5-6-7-8-23-30-55	1
				3.012	SPRING, Pressure		
					*202601 2000-10-20	9
					341700 2000-10-20	6
					202601 1951-2001-1A-11-21	9
					317853 2001A Amb.	9
					341700 2003-3A-4-5-6-7-8-23-55	9
					373444 2030	9
				3.013	BUTTON, Pressure spring insulator		
					*338234 2000-10-20	9
					303502 2000-10-20	6
					338234 1951-2001-1A-3-3A-4-5-6-7-8-11-21-23-30-55	...	9
					303502 2001A Amb.	9

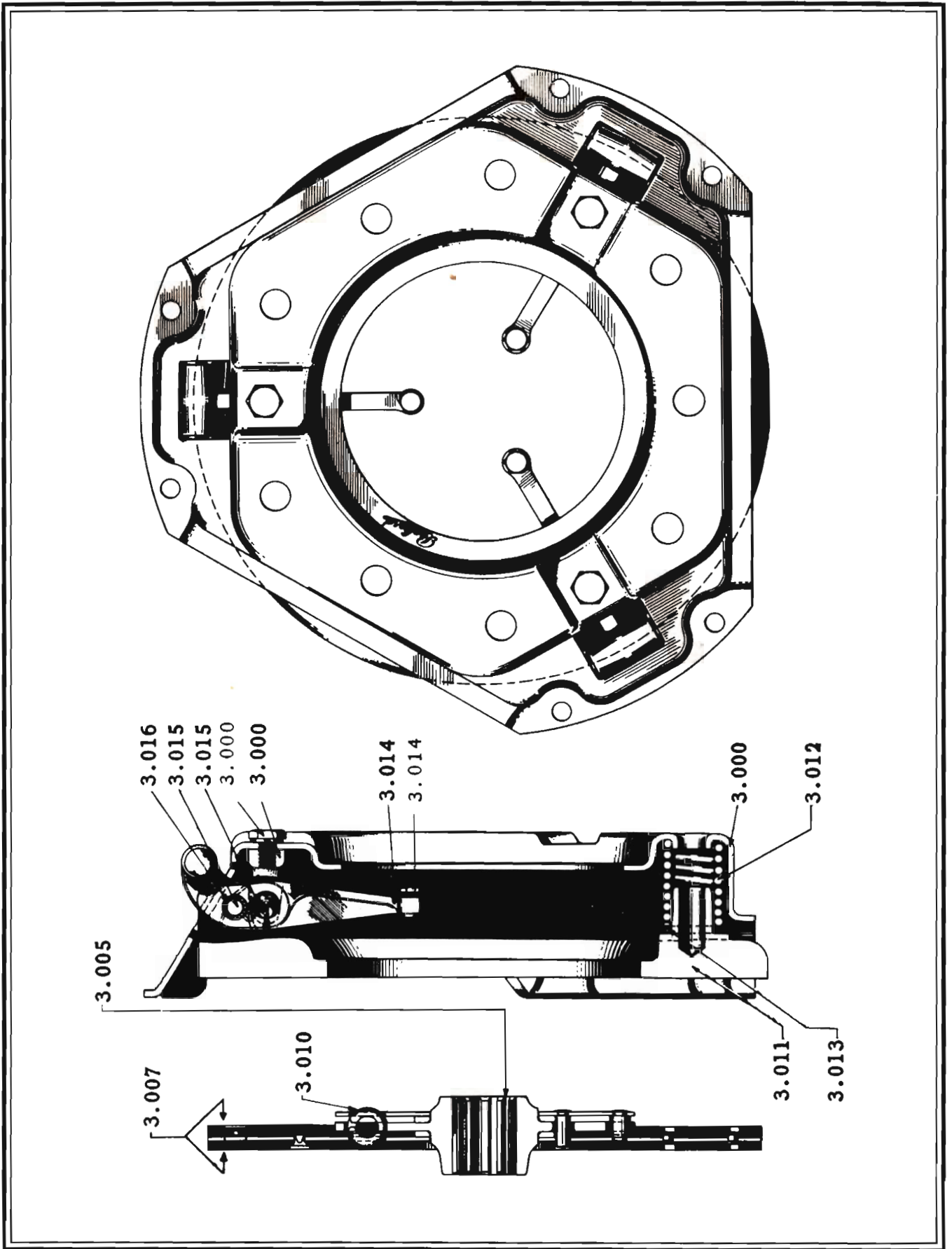
*Used with Electromatic Clutch.
 #Used with Econo Drive.

INDEX NO.	PART NO.	DESCRIPTION AND MODELS	PER CAR	INDEX NO.	PART NO.	DESCRIPTION AND MODELS	PER CAR
CLUTCH ASSEMBLY—Continued				ELECTROMATIC CLUTCH CONTROL—Continued			
3.014	LEVER, Release			3.105	BRACKET, Pedal Shaft		
	*302627	2000-10-20	3		371076 LHD 1951-2000-1-3-6-10-11	1	
	317854	2000-10-20	3		333449 2001A-3A-4-5-7-8-20-1-3-55	1	
	302627	1951-2001-1A-3-3A-4-5-6-7-8-11-21-23-30-55	3		378562 RHD 2000-1-10-11	1	
	*303468	Adj. screw 2000-10-20	3		5506 (50.220) Lockwasher 3/8 1951-20th Sr.	x	
	316159	Adj. screw 2000-10-20	3		7006 (50.100) Nut 3/8-24 1951-20th Sr.	x	
	303468	Adj. screw 1951-2001-1A-3-3A-4-5-6-7-8-11-21-23-30-55	3		6987 (50.003) Screw 3/8-16 x 3 RHD 2000-1-10-11 ..	2	
					7833 (50.003) Screw 3/8-16 x 1 RHD 2000-1-10-11 ..	1	
					7818 (50.003) Screw 3/8-24 x 7/8 hex. hd. 1951-20th Sr.	x	
3.015	PIN, Release lever			3.106	LUBRICATOR CONNECTOR, Pedal shaft		
	303505	(Long) 1951-2000-1-1A-10-11-20-1	3		216549 1951-20th Sr.	1	
	338231	(Long) 2003-3A-4-5-6-7-8-23-30-55	3	3.107	RING, Pedal shaft retaining		
	303503	(Short) 1951-2000-1-1A-3-3A-4-5-6-7-8-10-11-20-1-23-30-55	3		324008 (Open type) 1951-20th Sr.	1	
	324619	(50.240) Cotter pin 3/32 x 1	3	3.108	SPRING, Pedal shaft retaining		
	4290	(50.240) Cotter pin 3/32 x 5/8	3		371173 1951-2000-1-3-6-10-11	1	
3.016	ROLLER, Release lever				341769 2001A-3A-4-5-7-8-20-1-3-55	1	
	303467	1951-20th Sr.	57		351098 Washer 1951-20th Sr.	3	
3.018	YOKE, Release lever			3.109	PEDAL, Clutch		
	302629	1951-20th Sr.	3		371051 LHD 1951-2000-1-10-11	1	
	303504	Screw	3		362724 LHD 2001A-20-1	1	
	5504	(50.220) Lockwasher 5/16	3		377703 LHD 2003-6	1	
3.019	ROLLER, RELEASE LEVER YOKE				335944 LHD 2003A-4-5-7-8-23-55	1	
	303500	1951-20th Sr.	3		379200 RHD 2000-1-10-11	1	
ELECTROMATIC CLUTCH CONTROL					338262	RHD 2001A-20-1	1
<i>Note:— For Electrical Parts, Attaching Parts Of Electromatic Clutch Control Refer To Index Code 4.0540 Thru 4.05992</i>					335917	RHD 2003A-4-5-7-8-23-55	1
3.100	FULCRUM, Booster pedal			3.110	BEARING, Pedal		
	373856	LHD 2003-6	1		232276 2003A-4-5-7-8-23-55	2	
	335273	LHD 2004-5-7-8-23-55	1	3.111	SEAL, Pedal bearing		
	6916	(50.120) Nut 3/8-24 hex hd. LHD 2004-5-7-8-23-55	1		232275 2003A-4-5-7-8-23-55	2	
3.101	SPRING, Booster			3.112	BOOT, Pedal		
	371378	LHD 1951-2000-1-10-11	1		300915 1951-20th Sr.	1	
	371356	LHD 2003-6	1	3.113	PIN, Pedal connecting		
	335262	LHD 2004-5-7-8-23-55	1		324463 RHD 2001A-20-1	1	
3.1013	EYE BOLT, Booster spring			3.114	PAD ASSEMBLY, Pedal		
	329898	LHD 2003-4-5-6-7-8-23-55	1		335927 LHD 1951-20th Sr.	1	
3.1014	LOCK WASHER, Booster spring eye bolt				335928 RHD 2000-1-10-11	1	
	329899	LHD 2003-4-5-6-7-8-23-55	1		240485 RHD 2001A-3A-4-5-7-8-20-1-3-55	1	
3.1015	NUT, Booster spring eye bolt				5504 (50.220) Lockwasher 5/16 split 1951-20th Sr..	1	
	329530	LHD 5/16-24 spec. 2003-4-5-6-7-8-23-55	1		7005 (50.100) Nut 5/16-24 1951-20th Sr.	1	
3.102	BRACKET & BRACE ASSEMBLY, Booster spring				7861 (50.003) Screw 5/16-24 x 1" hex. hd. 1951-20th Sr.	1	
	371357	LHD 2003-6	1		6242 (50.003) Screw 5/16-24 x 1-1/8 hex. hd. RHD 2001A-3A-4-5-7-8-20-1-3-55	1	
	351021	LHD 2004-5-7-8-23-55	1	3.115	SPRING, Pedal retracting		
	5506	(50.220) Lockwasher 3/8 split	1		* 373879 1951	1	
	7006	(50.100) Nut 3/8-24	1		* 377782 LHD 2000-1-3-6-10-11	1	
	7819	(50.003) Screw 3/8-24 x 1 2003-6	1		* 371984 LHD 2001A-20-1	1	
	6661	(50.003) Screw 3/8-24 x 3/4 2004-5-7-8-23-55	1		371420 LHD 2001A-20-1	1	
3.103	LINK, Booster spring				373905 LHD 2003-6	1	
	367989	LHD 1951-2000-1-10-11	1		335356 LHD 2003A-4-5-7-8-23-55	1	
	373867	LHD 2003-6	1		* 371985 LHD 2003A-4-5-7-8-23-55	1	
	335269	LHD 2004-5-7-8-23-55	1		379213 RHD 2000-1-10-11	1	
3.104	SHAFT, Clutch & brake pedal				335918 RHD 2003-3A-4-5-6-7-8-23-55	1	
	371075	LHD 1951-2000-1-3-6-10-11	1		315942 RHD 2020-1	1	
	330202	2001A-3A-4-5-7-8-20-1-3-55	1	3.116	ROD, Pedal (to relay lever)		
	378438	RHD 2000-1-10-11	1		371073 LHD 1951-2000-1-3-6-10-11	1	
	5502	(50.220) Lockwasher 1/4 split RHD 2000-1-10-11	1		362641 LHD 2001A-21	1	
	7766	(50.003) Screw 1/4-20 x 5/8 hex. hd. RHD 2000-1-10-11	1		362640 LHD 2020	1	
	378548	Spacer RHD 2000-1-10-11	1		362732 RHD 2001A-21	1	
					362731 RHD 2020	1	
					6359 (50.200) Washer (pedal end) 5/16 2001A-20-1 ..	1	
					190291 SPRING WASHER (pedal end) RHD 2001A-20-1	1	

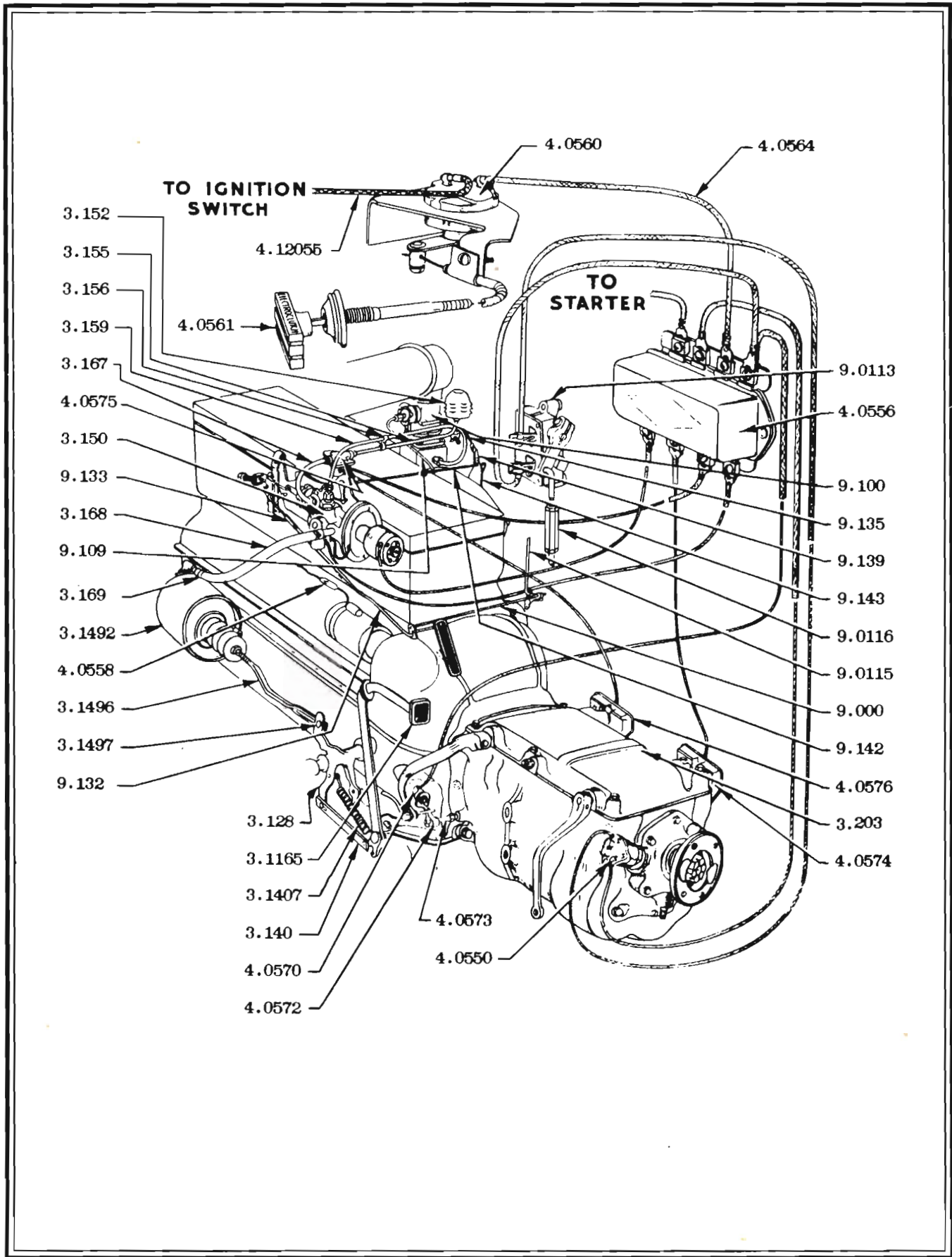
*Used with Electromatic Clutch.



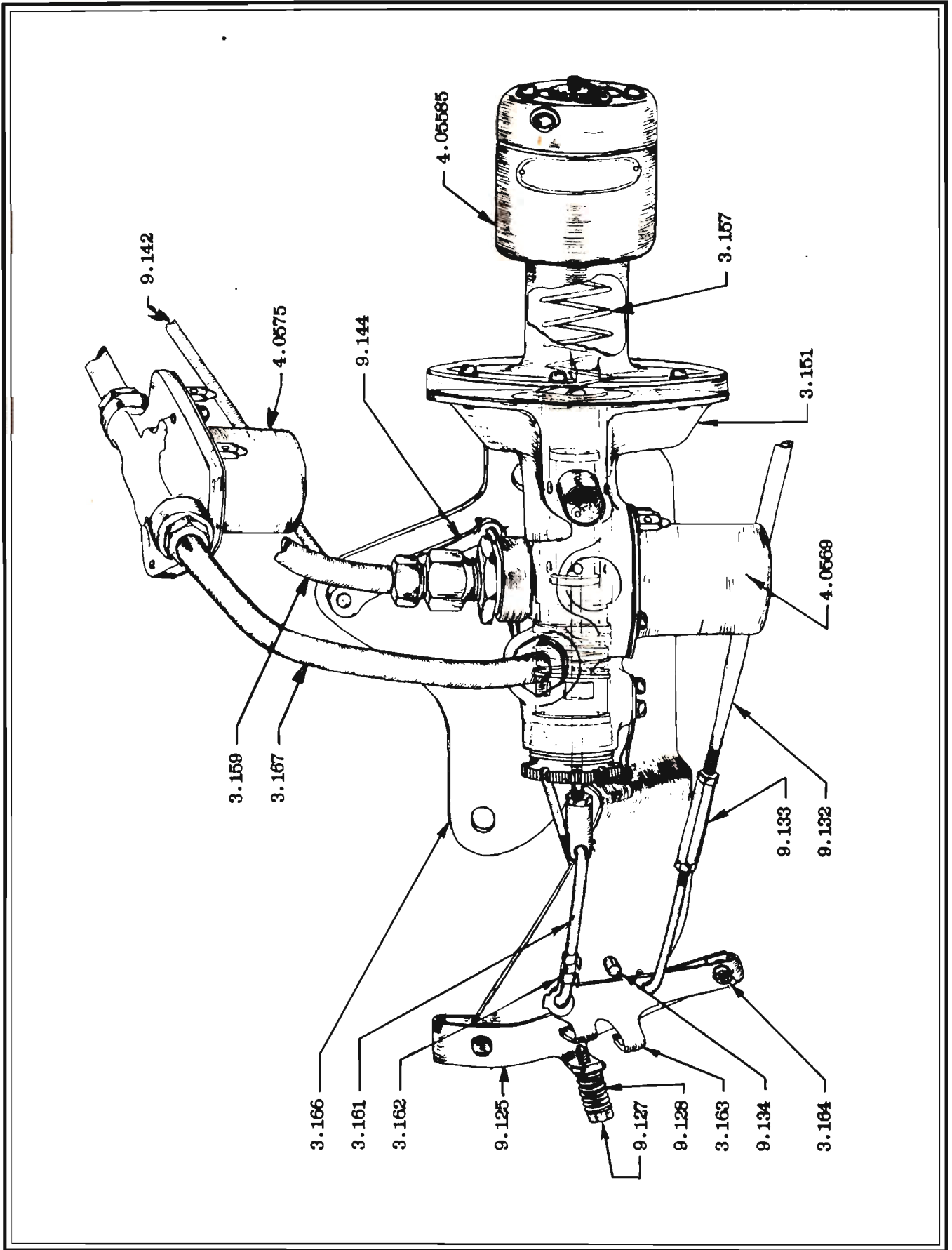
CLUTCH ASSEMBLY



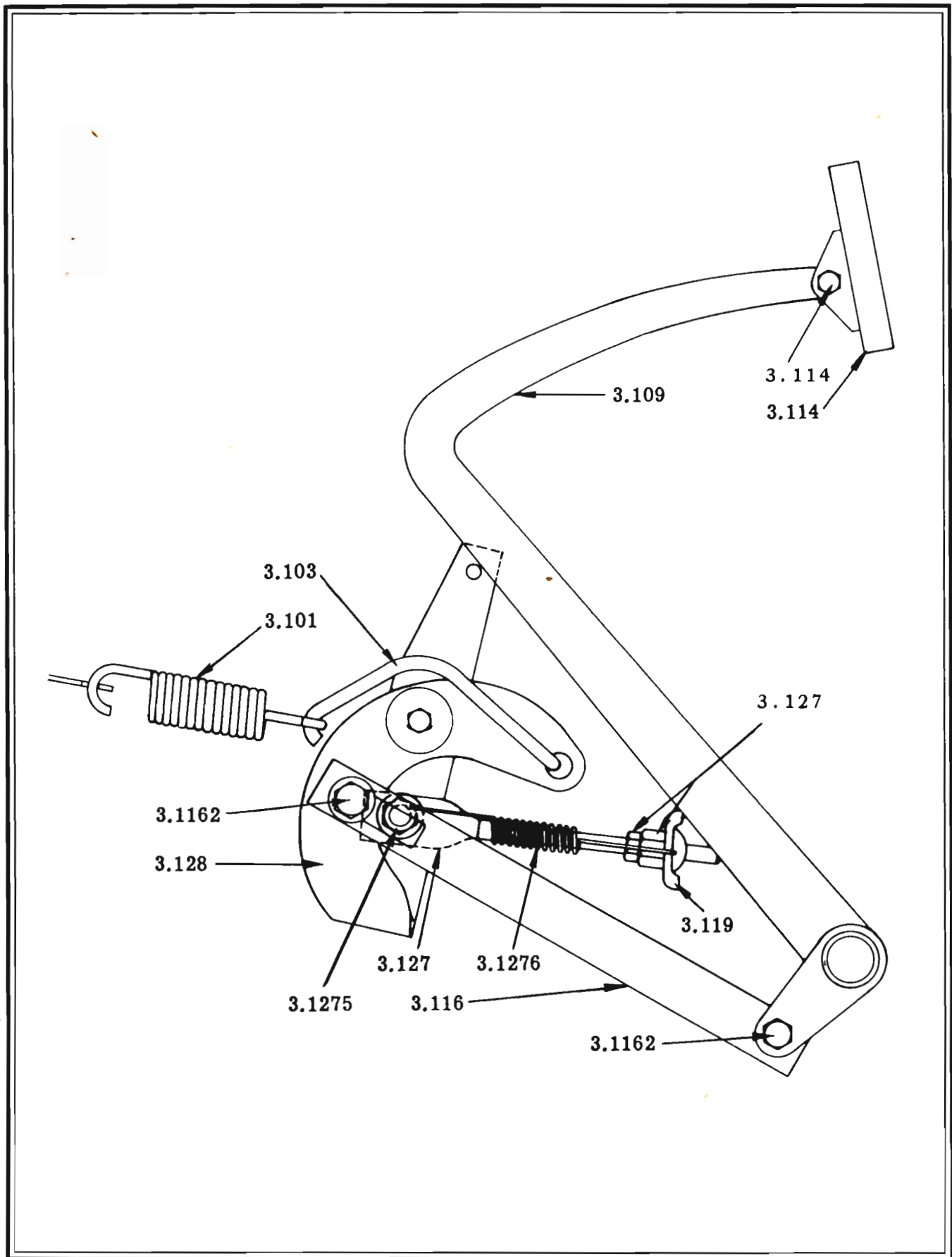
CLUTCH PLATES



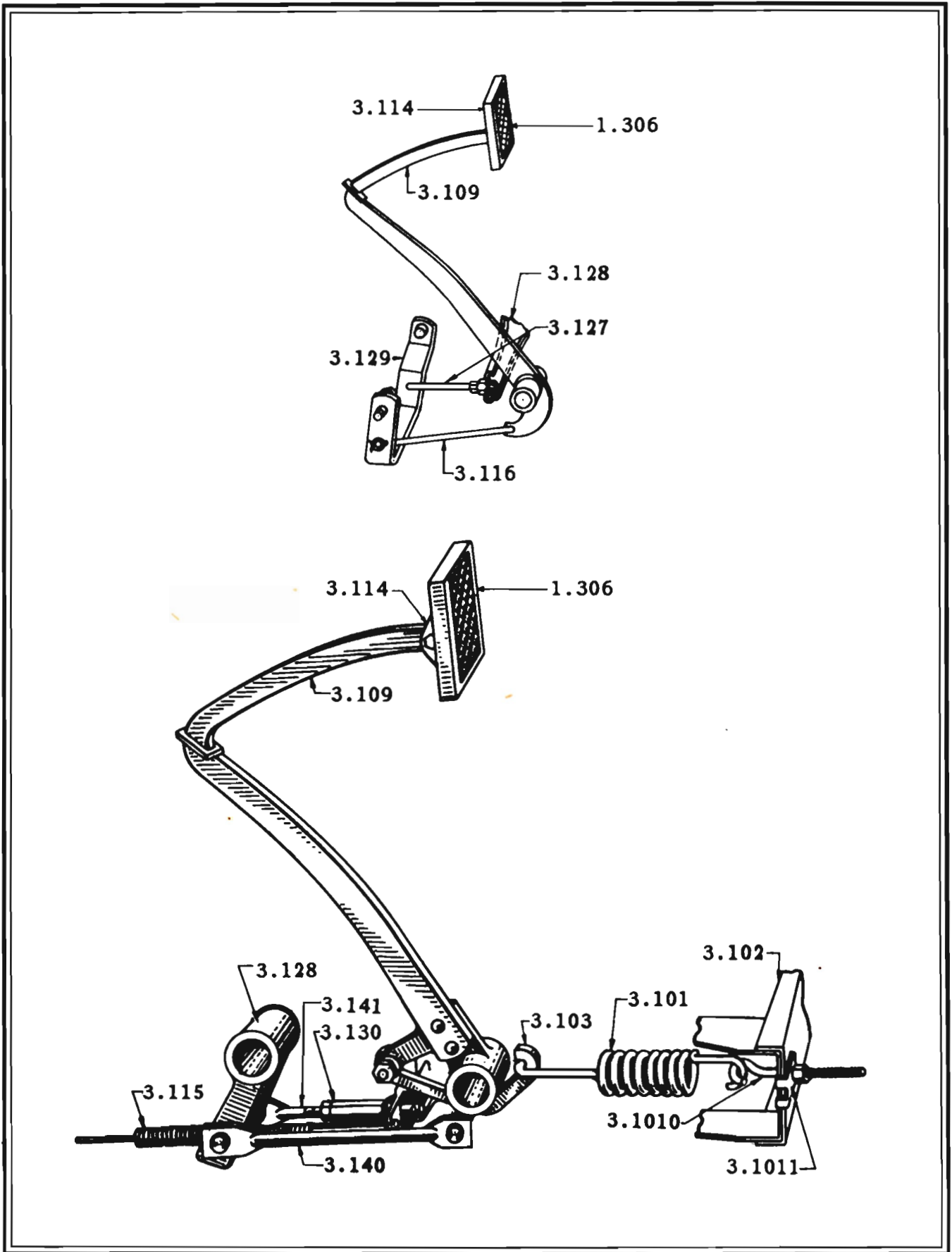
ELECTROMATIC CLUTCH



ELECTROMATIC CLUTCH VALVE ASSEMBLY



CLUTCH LINKAGE (CLIPPER TYPE)



CLUTCH LINKAGE

CLUTCH AND TRANSMISSION

INDEX NO.	PART NO.	DESCRIPTION AND MODELS	PER CAR
ELECTROMATIC CLUTCH CONTROL—Continued			
3.1162	PIN, Pedal (To relay lever) rod		
	371397 1951-2000-1-3-6-10-11		2
*	371398 1951-2000-1-3-6-10-11		1
	371141 (Pedal End) LHD 2001A-20-1		1
	354873 (Pedal End) LHD 2003A-4-5-7-8-23-55		1
	335919 (Pedal End) RHD 2003A-4-5-7-8-23-55		1
	4280 (50.240) Cotter pin 1/16 x 1/2 1951		2
	6968 (50.240) Cotter pin 1/16 x 5/8 LHD 2001A-20-1		1
	4293 (50.240) Cotter pin LHD 2003A-4-5-7-8-23-55		1
	332226 Lock RHD 2003A-4-5-7-8-23-55		1
	7105 (50.110) Nut 5/16-24 1951-2000-1-3-6-10-11		2
	7771 (50.110) Nut 2001A-20-1		1
	371272 Spacer (Pedal end) LHD 2001A-20-1		2
	371396 Spring washer 1951-2000-1-3-6-10-11		1
	207750 Spring washer (Pedal end) LHD 2001A-20-1		2
	7320 (50.200) Washer 7/16 1951		1
	*7320 (50.200) Washer 2000-1-3-6-10-11		1
	373298 Washer 13/32 (Pedal end) 1951-2000-1-3-6-10-11		1
	373298 Washer 13/32 (Relay end) 1951-2000-1-3-6-10-11		2
	3877 (50.200) Washer 3/8 RHD 2003A-4-5-7-8-23-55		1
3.1163	PIN, Pedal (To relay lever) rod stop		
	332220 1951-2000-1-1A-3-6-10-11-20-1		1
3.1165	RUBBER, Pedal (Red)		
	*367315 1951-20th Sr.		1
3.1166	RUBBER SET, Clutch & brake pedal		
	98766 (Supersedes 169182) 1951-20th Sr.		1
3.1169	SPLASHER, Clutch pedal		
	382341 2000-1-10-11		1
3.118	LEVER & BALL ASSEMBLY, Shifter		
	302504 1951-2000-1-1A-10-11-20-1		1
	5806 (50.230) Lockwasher 7/16		1
	7007 (50.100) Nut 7/16-20		1
3.119	LEVER, Shifter		
	302503 1951-2000-1-1A-10-11-20-21		1
	371288 LHD 2003-6		1
	329966 LHD 2003A-4-5-7-8-23-55		1
	335656 RHD 2003A-4-5-7-8-23-55		1
3.120	BRACKET, Shifter lever bearing anchor		
	335052 2003-3A-4-5-6-7-8-23-55		1
3.1205	BEARING ROLLER, Shifter Lever		
	329955 2003-3A-4-5-6-7-8-23-55		23
3.121	SPACER, Shifter lever bearing shaft		
	335688 2003-3A-4-5-6-7-8-23-55		1
	6902 (50.120) Nut 3/8-24		1
	6269 (50.003) Screw 3/8-24 x 2-1/4		1
3.122	SLEEVE, Shifter lever bearing		
	329956 2003-3A-4-5-6-7-8-23-55		1
3.123	SPACER, Shifter lever bearing		
	329957 2003-3A-4-5-6-7-8-23-55		2
3.124	THRUST WASHER, Shifter lever bearing		
	329958 2003-3A-4-5-6-7-8-23-55		2
3.125	BOOT ASSEMBLY, Shifter lever		
	316419 1951-20th Sr.		1
	6072 Rivet 9/64 x 9/16 oval hd.		1
3.127	ROD, Shifter lever to relay lever		
	371082 LHD 1951-2000-1-10-11		1
	362651 2001A-20-1		1
	373860 LHD 2003-6		1
	4289 (50.240) Cotter pin 3/32 x 1/2		1
	302481 Nut 1951-2000-1-1A-10-11-20-1		1
	7005 (50.100) Nut 5/16-24 2000-1-1A-10-11-20-1 ..		1

INDEX NO.	PART NO.	DESCRIPTION AND MODELS	PER CAR
ELECTROMATIC CLUTCH CONTROL—Continued			
3.1275	PIN, Clutch shifter lever rod to relay lever		
	371398 1951-2000-1-10-11		1
	373902 LHD 2003-6		1
	4280 (50.240) Cotter pin 1/16 x 1/2		1
	7105 (50.110) Nut 5/16-24		1
	371396 Spring washer		2
	373298 Washer 13/32 plain		2
3.1276	SPRING, Clutch shifter lever rod (To relay lever)		
	371425 1951-2000-1-10-11		1
3.128	LEVER ASSEMBLY, Shifter relay		
	373563 LHD 1951-2000-1-10-11		1
	*367258 2001A-20-1		1
	362653 LHD 2001A-20-1		1
	371367 LHD 2003-6		1
	*371218 2003A-4-5-7-8-23-55		1
	335357 LHD 2003A-4-5-7-8-23-55		1
	362716 RHD 2001A-20-1		1
	335515 LHD 2003A-4-5-7-8-23-55		1
3.129	LEVER, Shifter relay		
	373562 LHD 2000-1-10-11		1
	*367257 2001A-20-1		1
	362644 LHD 2001A-20-1		1
	371366 LHD 2003-6		1
	362715 RHD 2001A-20-1		1
	354602 Washer (thin) 2000-1-3-6-10-11		4
	*354602 Washer (thin) 2001A-20-1		2
	330293 Washer (thin) 2001A-20-1		2
	330307 Washer (thick) 2001A-20-1		2
	*354603 Washer (thick) 2001A-20-1		2
3.130	ADJUSTER, Shifter relay lever to shifter lever rod		
	332242 2003-3A-4-5-6-7-8-23-55		1
	7006 Nut 3/8-24		1
3.131	SEAT, Shifter relay (to shifter lever rod adjuster)		
	332241 2003-3A-4-5-6-7-8-23-55		1
3.133	BEARING, Shifter relay lever		
	354604 1951		2
	232276 2003A-4-5-7-8-23-55		2
3.1335	BRACKET ASSEMBLY, Shifter relay lever (to frame pivot)		
	371355 LHD 1951-2000-1-3-6-10-11		1
	*354608 2001A-20-1		1
	5506 (50.220) Lockwasher 3/8 1951-2000-1-3-6-10-11		2
	7006 Nut 3/8-24 1951-2000-1-3-6-10-11		2
	7387 Screw 3/8-24 x 7/8 hex. hd. 1951-2000-1-3-6-10-11		2
3.135	BOOT, Shifter relay lever		
	335290 2003A-4-5-7-8-23-55		2
3.136	OILER, Shifter relay lever hub		
	311832 2003A-4-5-7-8-23-55		1
3.1365	PIN, Shifter relay lever hub spring		
	*367316 2003A-4-5-7-8-23-55		1
3.137	PIN, Shifter relay lever		
	358798 2003A-4-5-7-8-23-55		2
	*371554 2003A-4-5-7-8-23-55		2
	4290 (50.240) Cotter pin 3/32 x 5/8		2
	*371272 Spacer		4
	*207750 Spring washer		4
3.1375	PIVOT, Clutch shifter relay lever (to flywheel housing)		
	371373 2003-6		1

*Used with Electromatic Clutch.

CLUTCH AND TRANSMISSION

3 138 - 3.1496

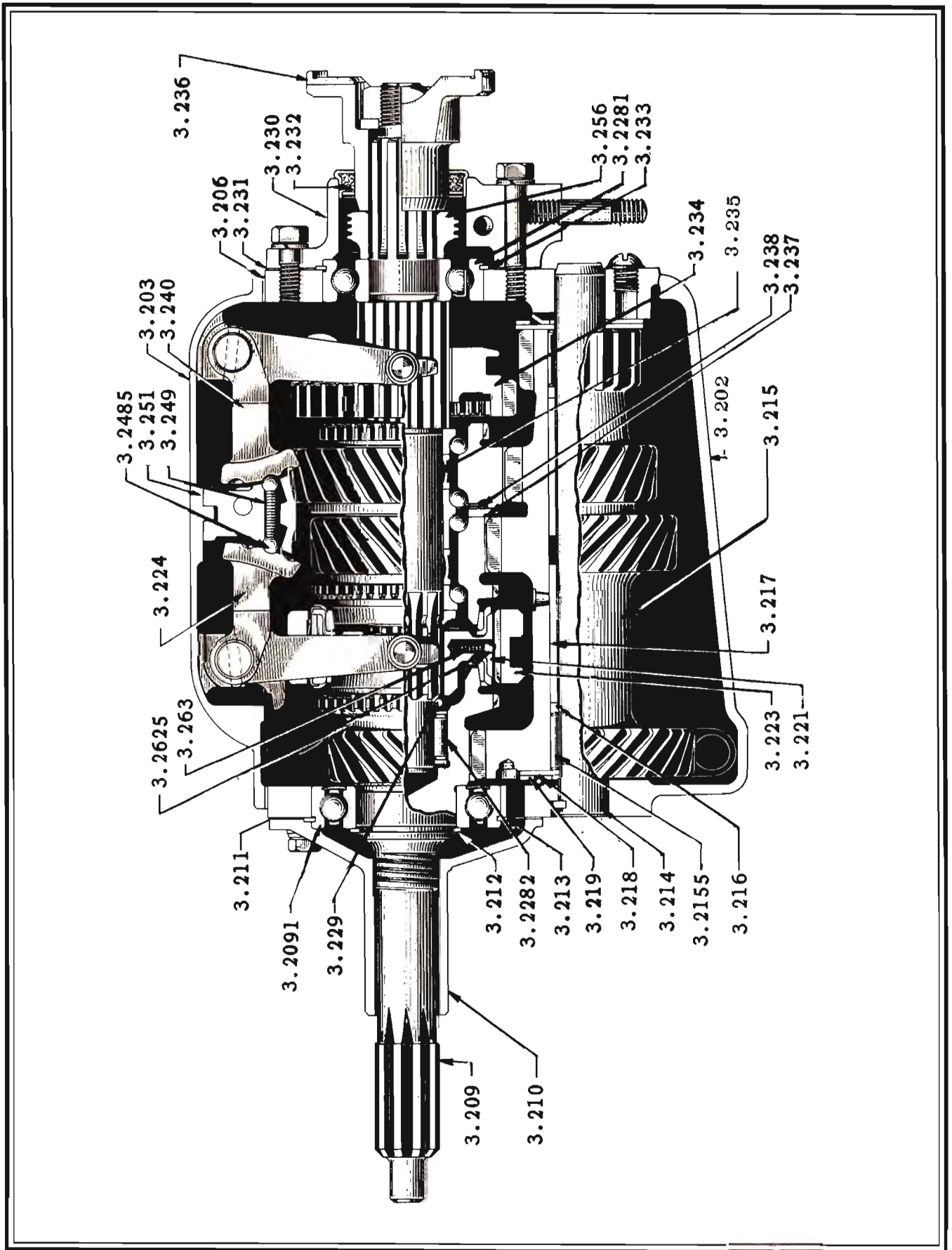
INDEX NO.	PART NO.	DESCRIPTION AND MODELS	PER CAR	INDEX NO.	PART NO.	DESCRIPTION AND MODELS	PER CAR
ELECTROMATIC CLUTCH CONTROL—Continued				ELECTROMATIC CLUTCH CONTROL—Continued			
3.138		PIVOT, Shifter relay lever (to frame)		3.144		SHAFT, Shifter relay lever universal joint	
	371234	LHD 1951-2000-1-3-6-10-11	1		335297	2003A-4-5-7-8-23-55	2
	*367411	2001A-20-1	1	3.145		PIVOT PIN, Shifter relay lever universal joint shaft	
	330336	2001A-20-1	1		330526	2003A-4-5-7-8-23-55	2
	*354611	Nut 2001A-20-1	1	3.146		PIN, Shifter relay lever universal joint shaft retaining	
	326814	Nut 2001A-20-1	1		335348	2003A-4-5-7-8-23-55	2
	*354620	Washer 2001A-20-1	1	3.147		SUPPORT ASSEMBLY, Shifter relay lever universal joint shaft	
	225613	Washer 2001A-20-1	1		335344	2003A-4-5-7-8-23-55	2
3.1385		BEARING, Shifter relay lever pivot			6322	(50.230) Washer 5/8 internal	2
	354604	2000-1-3-6-10-11	2	3.148		BEARING & SLEEVE ASSEMBLY, Shifter thrust	
	*354604	2001A-20-1	2		341805	LHD 1951-2000-1-1A-10-11-20-1	1
3.1386		PULLEY, Clutch shifter relay lever			335355	2003-3A-4-5-6-7-8-23-55	1
	*373635	1951-2000-1-3-6-10-11	1		341817	RHD 2001A-20-1	1
3.1387		GUARD ASSEMBLY, Clutch shifter relay lever pulley		3.149		SPRING, Shifter thrust bearing sleeve re-tracting	
	*373630	1951-2000-1-3-6-10-11	1		302404	1951-20th Sr.	1
	*4280	(50.240) Cotter pin 1/16	1		7523	Pin (3/16 yoke end)	1
	*7105	(50.100) Nut 5/16-24	1	3.1492		CYLINDER ASSEMBLY, Vacuum	
	*373696	Pin	1		*373932	1951-2000-1-3-6-10-11	1
	*4280	Cotter pin 1/16	1		*367177	2001A-20-1	1
3.1388		PIVOT ASSY., Clutch shifter relay lever pulley			*367295	2003A-4-5-7-8-23-55	1
	*373640	1951-2000-1-3-6-10-11	1		*5506	(50.220) Lockwasher 3/8 1951-2000-1-3-10-11	x
	*4291	(50.240) Cotter pin 3/32 x 3/4	1		*7006	(50.100) Nut 3/8-24 1951-2000-1-3-6-10-11	2
3.1389		LUBRICATOR, Clutch shifter relay lever pulley pivot			*3877	(50.200) Washer 3/8 1951-2000-1-3-6-10-11	2
	*373639	1951-2000-1-3-6-10-11	1	3.1493		BRACKET, Vacuum cylinder	
3.1395		SCREW, Shifter relay lever pivot (Flywheel housing)			*373605	1951-2000-1-3-6-10-11	1
	5430	(50.003) 1/4-28 x 1/2 hex. hd. 1951	1		*367305	2001A-3A-4-5-7-8-20-1-3-55	1
	7801	(50.003) 1/4-28 x 1/2 hex. hd. 2000-1-1A-3-6-10-11-20-1	x		*5506	(50.220) Lockwasher 3/8 2001A-3A-4-5-7-8-20-1-3-55	2
	5502	(50.220) Lockwasher 1/4	x		*7833	(50.003) Screw 3/8-16 x 1 (Brkt. to Cyl.) 1951-2000-1-3-6-10-11	2
	354620	Washer 1951-2000-1-3-6-10-11	2		*7819	Screw 3/8-24 x 1 2001A-3A-4-5-7-8-20-1-3-55	2
	330308	Washer 2001A-20-1	1	3.1494		PIN, Vacuum cylinder bracket	
3.140		ROD, Shifter relay lever (to pedal)			*373126	2001A-3A-4-5-7-8-20-1-3-55	1
	*367220	2001A-21	1		*4290	(50.240) Cotter pin	1
	*367309	2003A-4-5-7-8-23-55	1	3.1495		SPRING WASHER, Vacuum cylinder bracket pin	
	335225	2003A-4-5-7-8-23-55	1		*371391	2001A-3A-4-5-7-8-20-1-3-55	2
	*367219	2020	1	3.14955		CABLE ASSEMBLY, Clutch vacuum cylinder	
3.1405		PIN, Shifter relay lever (to pedal) rod			*377789	2000-10	1
	*367485	2001A-20-1	1		*373842	1951-2001-11	1
	*367329	2003A-4-5-7-8-23-55	1		*377543	2003-6	1
	*4280	(50.240) Cotter pin 1/8 2001A-20-1	1		*5504	(50.220) Lockwasher 5/16	1
3.1406		NUT, Shifter relay lever (to pedal) rod pin			*7005	(50.100) Nut 5/16-24	2
	*367275	2001A-20-1	1		*6359	(50.200) Plain Washer 5/16	2
3.1407		SPRING, Shifter relay lever (to pedal)			*7258	Locknut 5/16-24	1
	*367261	2001A-3A-4-5-7-8-21-3-55	1	3.14956		BRACKET, Clutch vacuum cylinder cable anchor	
	*367260	2020	1		*377792	2003-6	1
3.141		ROD, Shifter relay lever (to shifter lever)			*377542	"U" Bolt	1
	335224	2003A-4-5-7-8-23-55	1		*6502	(50.220) Lockwasher 1/4	2
	4289	(50.240) Cotter pin 3/32 x 1/2	1		*7004	(50.100) Nut 1/4-28	2
3.1415		PIN, Shifter relay lever rod		3.14958		ANCHOR STRAP, Clutch vacuum cylinder cable	
	371172	2001A-20-1	2		*373618	1951-2000-1-10-11	1
	6968	(50.240) Cotter pin 1/16 x 5/8	2		*5504	(50.220) Lockwasher 5/16	1
	7771	(50.110) Nut 5/16-24	2		*7005	(50.100) Nut 5/16-24	1
	371272	Spacer	4		*7828	(50.003) Screw 5/16-24 x 1-1/8	1
	207750	Spring washer	4		*6228	Washer 5/16	2
3.142		SPRINGS, Shifter relay lever		3.1496		ROD, Vacuum cylinder to clutch shifter relay lever	
	335338	2003A-4-5-7-8-23-55	2		*367333	2001A-21	1
	371427	Washer	1		*367297	2003A-4-5-7-8-23-55	1
3.143		PIN, Shifter relay lever stop			*367334	2020	1
	332220	2003A-4-5-7-8-23-55	1		*7006	(50.100) Nut	1

*Used with Electromatic Clutch.

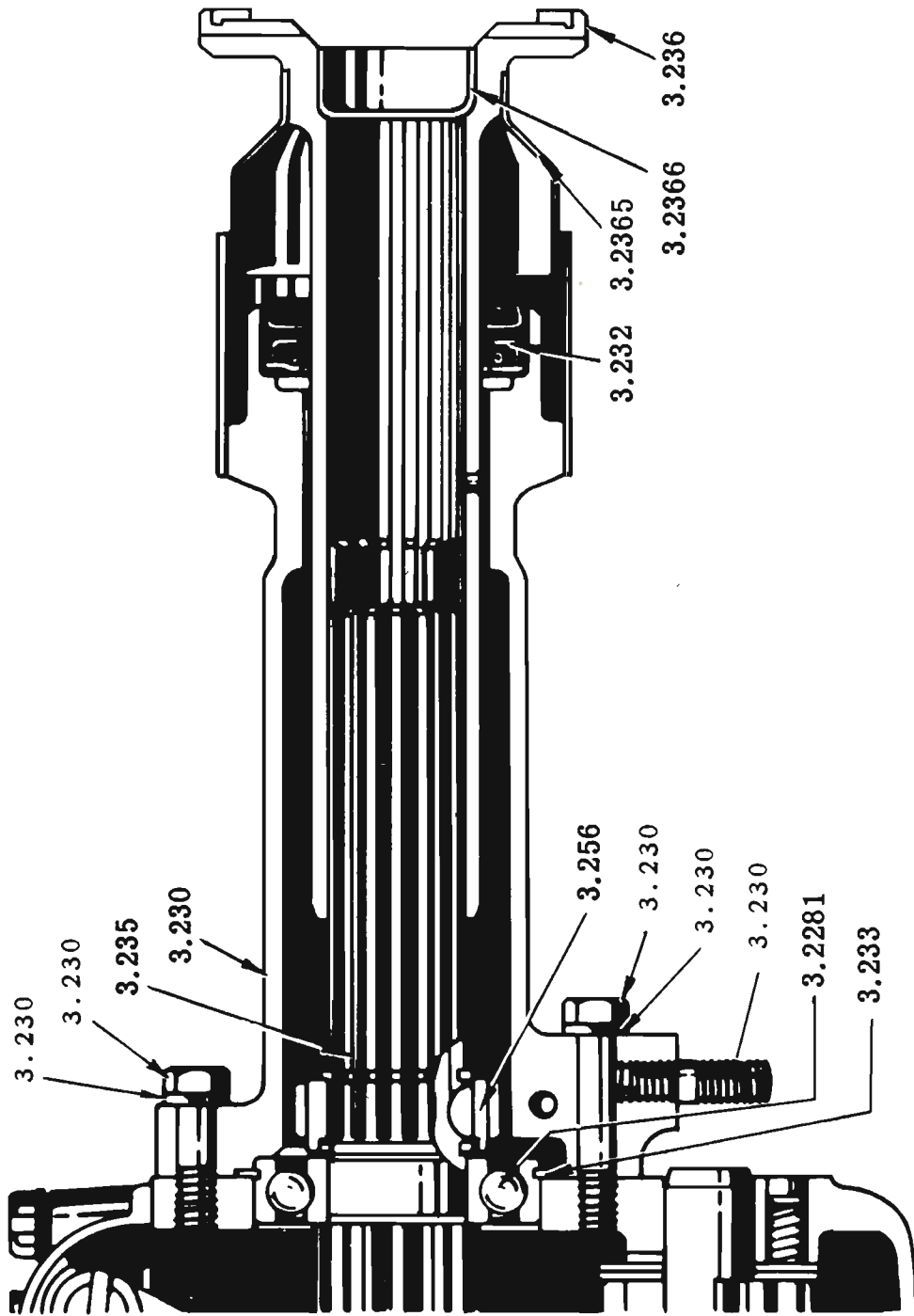
INDEX NO.	PART NO.	DESCRIPTION AND MODELS	PER CAR
ELECTROMATIC CLUTCH CONTROL—Continued			
3.1497	PIN,	Vacuum cylinder to clutch shifter relay lever rod	
	*371673	2001A-20-1	1
	*367304	2003A-4-5-7-8-23-55	1
		*4280 (50.240) Cotter pin 1/16	1
		*7771 (50.110) Nut 5/16-24	1
	*371272	Spacer	2
	*207750	Spring washer	2
3.1498	SPRING,	Vacuum cylinder support	
	*372121	2001A-3A-4-5-7-8-20-1-3-55	1
		<i>Note:- For Detail Parts Of Valve Assembly Refer To Index Code 4.0577 thru 4.05991</i>	
3.150	VALVE ASSEMBLY,	(With bracket & levers)	
	*373945	1951	1
	*377794	2000-10	1
	*378114	2001-11	1
	*378115	2001A-21	1
	*378100	2003-6	1
	*378101	2003A-4-5-7-8-23-55	1
	*377795	2020	1
3.151	VALVE ASSEMBLY,	Clutch (valve assembly only)	
	373944	1951	1
3.152	AIR CLEANER,	Valve	
	*373227	1951-20th Sr.	1
3.153	HOSE,	Valve air cleaner	
	*373165	1951-20th Sr.	1
3.154	HOSE CLAMP,	Valve air cleaner	
	*237557	1951-20th Sr.	2
3.155	TUBE ASSEMBLY,	Valve air cleaner (to trans. 2nd. speed choke valve and solenoid)	
	*371712	1951-2000-1-1A-10-11-20-1	1
	*378125	2003-6	1
	*371743	2003A-4-5-23-55	1
	*371744	2007-8	1
		*6263 Flared tube nut 1/2 2000-1-1A 3-3A 4-5-6-10-11-20-1-3-55	1
		*8274 Flared tube nut 1/2 2007-8	1
3.156	CLAMP,	Valve air cleaner tube	
	*371737	1951-20th Sr.	1
	*7004	(50.100) Nut 1/4-28	1
	*5471	(50.003) Screw 1/4-28 x 3/4	1
3.157	SPRING,	Valve diaphragm	
	*378109	2000-10	1
	*373915	1951-2001-11	1
	*371721	2001A-21	1
	*371187	2020	1
		<i>Note:- For Valve Diaphragm Spring Retainers Refer To Index Code 4.0580 And 4.0581</i>	
3.159	TUBE ASSEMBLY,	Valve to motor intake manifold	
	*367543	2000-10-20	1
	*367528	1951-2001-1A-11-21	1
	*378123	2003-6	1
	*367496	2003A-4-5-23-55	1
	*367531	2007-8	1
		*6259 Flared tube connector 1/2 1951-2000-1-1A-3-3A-4-5-6-10-11-20-1-3-55	2
		*8275 Flared tube connector 1/2 2007-8	2
		*6263 Flared nut 1/2 1951-2000-1-1A-3-3A-4-5-6-10-11-20-1-3-55	2
		*8274 Flared nut 1/2 2007-8	2
3.160	PIN,	Valve operating lever	
	*170400	20th Sr.	1
	4280	(50.240) Cotter pin	1
	3906	(50.200) Washer 3/16	1

INDEX NO.	PART NO.	DESCRIPTION AND MODELS	PER CAR
ELECTROMATIC CLUTCH CONTROL—Continued			
3.161	LINK,	Valve operating	
	*367277	1951-20th Sr.	1
	*4280	(50.240) Cotter pin 1/16	1
	*3906	Washer #10	1
3.162	CLEVIS CLIP,	Valve operating link (rod end)	
	*338753	1951-20th Sr.	1
3.163	LEVER,	Valve operating link	
	*367255	1951-20th Sr.	1
3.164	PIN,	Valve operating link lever bushing	
	*170400	1951-20th Sr.	1
	*4280	(50.240) Cotter pin	1
	*3906	Washer	1
3.165	SPRING,	Valve operating link lever	
	*373177	1951-2001A-3A-4-5-7-8-20-1-3-55	1
3.166	SUPPORT PLATE ASSEMBLY,	Valve	
	*367330	2000-10-20	1
	*367319	1951-2001-1A-11-21	1
	*367324	2003A-4-5-6-7-8-23-55	1
		*6048 (50.230) Lockwasher 3/8	x
		*5506 (50.220) Lockwasher 3/8	1
		*7758 (50.003) Screw 3/8-16 x 5/8	x
3.167	TUBE ASSEMBLY,	Valve to trans. second speed choke valve and solenoid	
	*371159	1951-2000-1-1A-10-11-20-1	1
	*378124	2003-6	1
	*371757	2003A-4-5-23-55	1
	*371758	2007-8	1
		*6263 Nut 1/2 1951-2000-1-1A-3-3A-4-5-6-10-11-20-1-3-55	2
		*8274 Nut 1/2 2007-8	2
3.168	HOSE,	Valve to vacuum cylinder	
	*373165	1951-2000-1-3-6-10-11	2
	*207776	2001A-3A-4-5-7-8-21-3-55	1
	*237215	2020	1
3.169	HOSE CLAMP,	Valve to vacuum cylinder	
	*237557	1951-2000-1-3-6-10-11	4
	*373164	1951-2001A-3A-4-5-7-8-20-1-3-55	2
3.1695	TUBE,	Clutch valve to vacuum cylinder	
	*373744	1951	1
	*378739	2000-10	1
	*379466	2001-11	1
	*378740	2003-6	1
3.170	COVER ASSEMBLY,	Toe board clutch & brake pedal	
	373153	1951-2000-1-3-6-10-11	1
	333291	LHD 2004-5-7-8-21-3-55	1
	333290	LHD 2020-30	1
	378820	RHD 2000-1-10-11	1
		6859 (50.300) Screw #14 x 1/2 tapping	4
3.172	INSULATOR,	Toe board clutch & brake pedal cover	
	373151	LHD 1951-2000-1-3-6-10-11	1
	333297	LHD 2004-5-7-8-21-3-55	1
	333296	LHD 2020-30	1
	378819	RHD 2000-1-10-11	1
TRANSMISSION			
3.200	TRANSMISSION ASSEMBLY		
		<i>Note:- With Econo Drive refer to Index Code 3.400</i>	
	901005	(LHD 1951-2000-1-10-11	1
	901007	LHD 2001A-21	1
	901008	LHD 2003-6	1
	901009	LHD 2003A-4-5-7-8-23-55	1
	901039	LHD 2020	1
	901010	RHD 2000-10	1

*Used with Electromatic Clutch.



TRANSMISSION



TRANSMISSION, REAR COVER ASSEMBLY

INDEX NO.	PART NO.	DESCRIPTION AND MODELS	PER CAR	INDEX NO.	PART NO.	DESCRIPTION AND MODELS	PER CAR
TRANSMISSION—Continued				TRANSMISSION—Continued			
3.200	TRANSMISSION ASSEMBLY (Cont'd)			3.218	END PLATE, Countershaft gear cluster		
	901011	RHD 2001-11	1		300844	1951-20th Sr.	2
	901012	RHD 2001A-21	1	3.219	THRUST WASHER, Countershaft gear cluster		
	901014	RHD 2003A-4-5-7-8-23-55	1		333580	1951-20th Sr.	2
	901026	RHD 2020	1	3.222	GEAR, Direct drive & second speed clutch		
	5510	(50.220) Lockwasher 1/2	4		360331	1951-20th Sr.	1
	7879	(50.003) Screw 1/2-13 x 1-1/2	4	3.223	CLUTCH RING, Direct drive & second speed		
3.202	CASE, Transmission				360326	1951-20th Sr.	1
	367164	1951-20th Sr.	1	3.224	SHIFTER FORK, Direct drive & second speed gear		
	6099	Plug 1/2 square hd.	2		333545	1951	1
3.203	COVER ASSEMBLY, Case				360430	20th Sr.	1
	367646	1951	1	3.226	SHOE, Direct drive & second speed gear shifter fork		
	367918	1951 (Use with electromatic clutch)	1		333543	1951-20th Sr.	2
	379014	LHD 20th Sr.	1		3868	Washer	2
	360448	RHD 20th Sr.	1	3.2281	BEARING (REAR) AND RETAINING RING ASSEMBLY, Driving shaft		
	*6699	(50.230) Lockwasher 1/4	1		371895	1951	1
	5504	(50.220) Lockwasher 5/16	6		371895	2000-1-3-6-10-11	1
	335346	Screw (Breather Type)	1		304124	2000-1-1A-3A-4-5-7-8-10-11-20-1-3-55	1
	5456	(50.003) Screw 5/16-18 x 3/4 hex. hd. 1951	3	3.2282	BEARING, Driving shaft (front)		
	7804	(50.003) Screw 5/16-18 x 3/4	3		300290	Front 1951-20th Sr.	1
	7377	(50.003) Screw 5/16-18 x 1-1/2	2	3.229	SPACER, Drive shaft (front) bearing		
3.204	CAP, Case cover assembly screw breather				300285	1951-20th Sr.	1
	330347	1951-20th Sr.	1	3.230	COVER, Driving shaft bearing rear		
3.206	GASKET, Case cover				371765	1951	1
	333629	1951-20th Sr.	1		371765	2000-1-3-6-10-11	1
3.2061	SCREW, Trans. case cover				367128	2000-1-1A-4-5-7-8-10-11-20-1-3-55	1
	367576	LHD 1951-20th Sr.	1		5506	(50.220) Lockwasher 3/8 1951-20th Sr.	5
	70918	LHD Gasket	1		300954	Screw 1951-20th Sr.	3
3.2063	PLUG, Case cover shifter fork shaft hole				* 7088	(50.003) Screw 3/8-16 x 1-3/8 1951-2000-1-6-10-11	2
	335663	1951-20th Sr.	x		7833	(50.003) Screw 3/8-16 x 1 20th Sr.	2
3.209	CLUTCH SHAFT, Transmission				371160	Stud 7/16 1951-20th Sr.	1
	335130	1951-2000-1-1A-10-11-20-1	1	3.2305	DUST SHIELD, Trans. driving shaft bearings rear cover		
	373974	2003-3A-4-5-6-7-8-23-55	1		371767	1951-2000-1-3-6-10-11	1
3.2091	BEARING (REAR) AND RETAINING RING ASSEMBLY, Clutch shaft			3.231	GASKET, Driving shaft bearing rear cover		
	304123	1951-20th Sr.	1		367182	1951-20th Sr.	1
3.2092	BEARING (FRONT), Clutch shaft			3.2315	PLUG, Driving shaft bearing rear cover		
	300228	1951-2000-1-1A-10-11-20-1	1		367183	1951 20th Sr	1
	205454	2003-3A-4-5-6-7-8-23-55	1		20075	Gasket	1
3.210	COVER, Clutch shaft bearing rear			3.232	OIL SEAL ASSEMBLY, Driving shaft bearing		
	338318	1951-2000-1-1A-10-11-20-1	1		371876	1951	1
	333995	2003-3A-4-5-6-7-8-23-55	1		371876	2000-1-3-6-10-11	1
	5456	(50.003) Screw 5/16-18 x 3/4	6		302591	2000-1-1A-3A-4-5-7-8-10-11-20-1-3-55	1
	354310	Screw Gasket	6	3.233	RING, Driving shaft bearing rear retaining		
3.211	GASKET, Clutch shaft bearing rear cover				300237	1951-20th Sr.	1
	300820	1951-20th Sr.	1	3.2335	SNAP RING, Transmission driving shaft bearing rear		
3.212	RETAINER, Clutch shaft bearing rear (inner)				371861	Std. 1951-2000-1-3-6-10-11	x
	300937	1951-20th Sr.	1		371860	Thin 1951-2000-1-3-6-10-11	x
3.213	RING, Clutch shaft bearing gear retaining (outer)				371862	Thick 1951-2000-1-3-6-10-11	x
	300236	1951-20th Sr.	1		371863	Extra 1951-2000-1-3-6-10-11	x
3.214	COUNTERSHAFT, Transmission			3.234	GEAR, Driving shaft first speed clutch and reverse		
	333572	1951-20th Sr.	1		333813	1951-20th Sr.	1
	4551	Woodruff Key #5	1	3.235	GEARS & BEARINGS ASSEMBLY, Driving shaft, first and second speed		
3.215	GEAR CLUSTER, Countershaft				373002	1951-2000-1-3-6-10-11	1
	333809	1951-20th Sr.	1		347704	2001A-3A-4-5-7-8-20-1-3-55	1
3.2155	ROLLER, Countershaft gear cluster bearing				300910	Washer 2001A-3A-4-5-7-8-20-1-3-55	1
	302578	1951-20th Sr.	50				
3.216	RING, Countershaft gear cluster bearing roller						
	302577	1951-20th Sr.	2				
3.217	SPACER, Countershaft gear cluster bearing						
	303938	1951-20th Sr.	1				

*Used with Electromatic Clutch

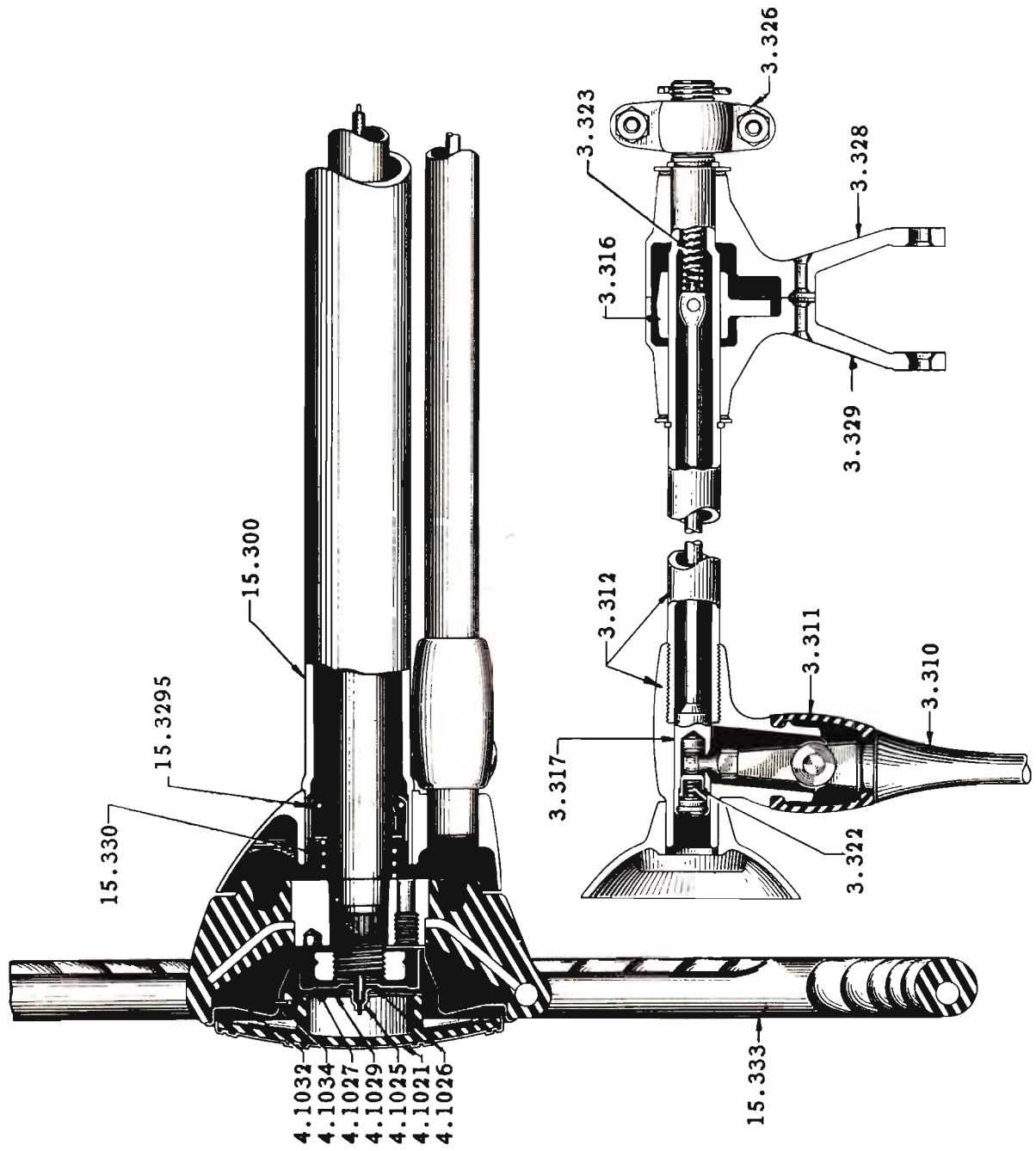
•Two types of Universal Joint shafts were used on Models 2000-1-10-11 equipped with EconoDrive (See Universal Joint shaft illustration.) Use with "Mechanics Universal" type.

□Use with "Universal Products" type.

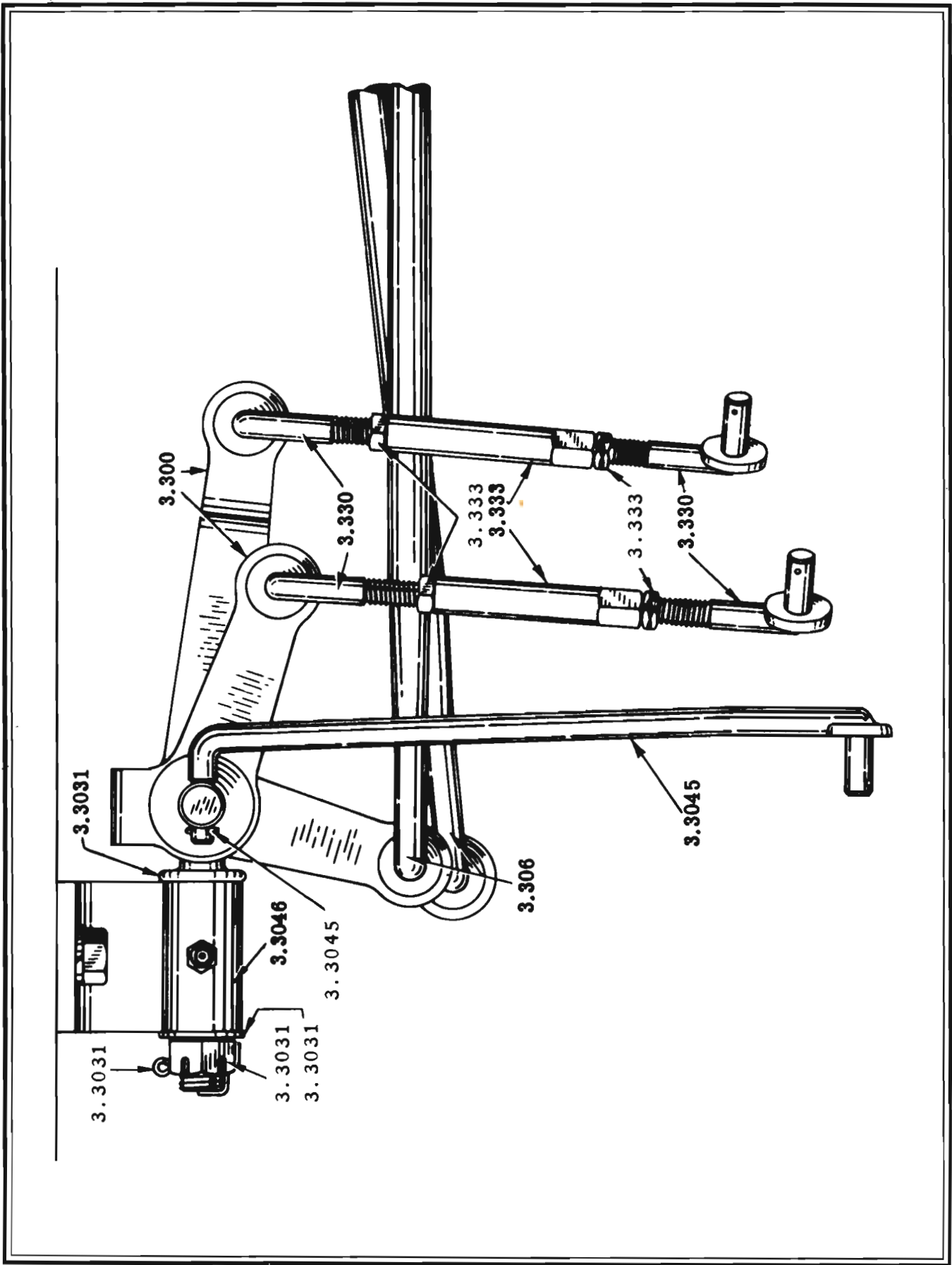
CLUTCH AND TRANSMISSION

INDEX NO.	PART NO.	DESCRIPTION AND MODELS	PER CAR
TRANSMISSION—Continued			
3.236	FLANGE, Driving shaft universal joint		
	371814 1951-2000-1-3-6-10-11		1
	302868 2001A-3A-4-5-7-8-21-3		1
	355812 2020		1
3.2365	DUST SHIELD, Transmission driving shaft universal joint flange		
	371815 1951-2000-1-3-6-10-11		1
3.2366	PLUG, Transmission driving shaft universal joint flange		
	371816 1951-2000-1-3-6-10-11		1
3.240	SHIFTER FORK, First speed and reverse gear		
	347623 1951		1
	360436 20th Sr.		1
3.242	SHOE, First speed & reverse gear shifter fork		
	333337 1951-20th Sr.		2
	3868 Washer		2
3.246	PINION ASSEMBLY, Reversing		
	333817 1951-20th Sr.		1
3.247	BUSHING, Reversing pinion		
	300253 1951-20th Sr.		1
3.248	SHAFT, Reversing pinion		
	333573 1951-20th Sr.		1
	5506 (50.220) Lockwasher 3/8		1
	7866 (50.003) Screw 3/8-16 x 5/8		1
	6748 Washer 3/8		1
	4551 Woodruff Key #5		1
3.2485	BALL, Shifter forks detent		
	5079 1951-20th Sr.		2
3.249	SPRING, Shifter forks detent ball		
	360313 1951-20th Sr.		1
3.2495	BALL SHIFTER FORKS INTERLOCK		
	5079 1951-20th Sr.		2
3.250	SPACER, Shifter forks interlock ball		
	360415 1951-20th Sr.		1
3.251	BRACKET, Shifter forks interlock		
	382652 1951		1
	360427 20th Sr.		1
	4280 (50.240) Cotter pin 1/16 x 1/2		1
	7105 (50.100) Nut 5/16-24		1
	338934 Screw 5/16-24 x 2-3/8		1
	3874 (50.200) Washer 5/16		2
3.252	SHAFT, Shifter fork		
	367579 LHD 1951-20th Sr.		1
	335654 RHD 20th Sr.		2
	333143 Pin		4
3.253	SEAL, Transmission shifter fork shaft		
	330095 1951-20th Sr.		1
3.255	RETAINER, Shifter fork shaft seal		
	330096 1951-20th Sr.		2
3.256	GEAR, Speedometer driving		
	371857 1951-2000-1-3-6-10-11		1
	367114 2001A-3A-4-5-7-8-20-1-3-55		1
	4551 Key #5 2000-1-3-6-10-11		1
3.2565	SNAP RING, Transmission speedometer driving gear		
	371860 Thin 1951-2000-1-3-6-10-11		x
	371861 Medium 1951-2000-1-3-6-10-11		x
	371862 Thick 1951-2000-1-3-6-10-11		x
	371863 Extra Thick 1951-2000-1-3-6-10-11		x

INDEX NO.	PART NO.	DESCRIPTION AND MODELS	PER CAR
TRANSMISSION—Continued			
3.257	PINION & SHAFT ASSEMBLY, Speedometer		
	347537 (19 teeth) (4.3 to 1) 1951-2000-1-10-11-20 ..		1
	347538 (20 teeth) (4.55 to 1) 2000-10-20		1
	347536 (18 teeth) (4.1 to 1) 2001-11		1
	347538 (20 teeth) (4.9 to 1) 2001A		1
	347537 (19 teeth) (4.7 to 1) 2001A-3A		1
	354976 (17 teeth) (4.09 to 1) 1951-2003-4-6-7-21-3 ..		1
	347536 (18 teeth) (4.36 to 1) 1951-2003-4-5-6-7-8-21-3-55		1
	354976 (17 teeth) (3.92 to 1) 2003-6-23		1
	347537 (19 teeth) (4.54 to 1) 2003A-5-8-21-30-55 ..		1
3.260	BRAKE & HOUSING ASSEMBLY, Synchronizer		
	360327 1951-20th Sr.		2
3.261	BRAKE, Transmission synchronizer		
	335141 1951-20th Sr.		2
3.262	SPRING, Synchronizer brake retainer		
	360324 1951-20th Sr.		3
3.2625	DETENT, Transmission synchronizer		
	360300 (Plunger Type) 1951-20th Sr.		3
3.263	SPRING, Transmission synchronizer detent		
	360463 1951-20th Sr.		3
3.264	COVER, Toe board		
	335229 2004-5-7-8-23-55		1
	330142 2020-1-30		1
	6859 (50.300) Screw #14 x 1/2 tapping		x
TRANSMISSION—GEAR SHIFT			
3.300	LEVER ASSEMBLY, Steering column idler		
	360365 (Direct and Second) 1951		1
	360364 (Direct and second) LHD 2000-1-3-6-10-11		1
	351213 (Direct and second) LHD 2001A-3A-4-5-7-8-20-1-3-55		1
	360357 (First and reverse) 1951		1
	360358 (First and reverse) LHD 2000-1-3-6-10-11		1
	351587 (First and reverse) LHD 2001A-3A-4-5-7-8-20-1-3-55		1
	351656 (Direct and second) RHD 2001A-20-1		1
	347662 (Direct and second) RHD 2003A-4-5-7-8-23-55 ..		1
	351658 (First and reverse) RHD 2001A-20-1		1
	347660 (First and reverse) RHD 2003A-4-5-7-8-23-55 ..		1
	4305 (50.240) Cotter pin RHD 2001A-3A-4-5-7-8-20-1-3-55		x
	360373 Spacer 2000-1-3-6-10-11		1
	335227 Spring washer 2001A-20-1		1
	3884 Washer 1/2 RHD 2001A-20-1		2
	333761 Washer 1951		6
	338736 Washer inner (Direct and second) RHD 2001A-20-1		1
	338559 Washer (Direct and second) RHD 2003A-4-5-7-8-23-55		1
	338560 Washer (First and reverse) RHD 2003A-4-5-7-8-23-55		1
	337569 Washer RHD 2003A-4-5-7-8-23-55		1
3.3003	BEARING, Steering column idler lever		
	354080 (Direct and second) LHD 1951-2001A-3A-4-5-7-8-20-1-3-55		2
	232160 Spacer 1951		3
3.301	BUSHING, Steering column idler lever hub		
	335866 1951-20th Sr.		x
3.302	WASHER, Steering column idler lever hub friction		
	333761 20th Sr.		1



TRANSMISSION SHIFT STEERING COLUMN



STEERING POST SHIFTING LINKAGE

CLUTCH AND TRANSMISSION

3.303 - 3.3125

INDEX NO.	PART NO.	DESCRIPTION AND MODELS	PER CAR	INDEX NO.	PART NO.	DESCRIPTION AND MODELS	PER CAR
TRANSMISSION GEAR SHIFT—Continued				TRANSMISSION GEAR SHIFT—Continued			
3.303		SHAFT ASSEMBLY, Steering column idler lever 347670 RHD 2003A-4-5-7-8-23-55	1	3.305		ROD ASSEMBLY, Steering column gear shift idler lever (to transmission) 367639 (Direct and second) LHD 2001A-21	1
3.3031		SHAFT, Steering column gear shift idler lever 371572 1951	1			367550 (Direct and second) LHD 2003A-4-5-7-8-23-55 ..	1
		371532 2000-1-3-6-10-11	1			367641 (Direct and second) LHD 2020	1
		354069 LHD 2001A-3A-4-5-7-8-20-1-3-55	1			367683 (First and reverse) LHD 2001A-3A-4-5-7-8-21-3-55	1
		338662 (Direct and second) RHD 2001A-20-1	1			367697 (First and reverse) LHD 2020	1
		335665 (First and reverse) RHD 2001A-20-1	1	3.306		ROD, Steering column idler lever (to trans.) 360362 (Direct and second) 1951	1
		333145 RHD 2003A-4-5-7-8-23-55	1			360363 (Direct and second) LHD 2000-1-10-11	1
		4292 (50.240) Cotter pin 3/32 x 7/8 1951-2000-1-3-6-10-11	1			367638 (Direct and second) LHD 2001A-21	1
		5506 (50.220) Lockwasher 3/8 2001A-3A-4-5-7-8-20-1-3-55	x			360387 (Direct and second) LHD 2003-6	1
		7188 (50.110) Nut 1/2-20 1951-2000-1-3-6-10-11 ..	1			367549 (Direct and second) LHD 2003A-4-5-7-8-23-55 ..	1
		6902 Nut 3/8-24 LHD 2001A-3A-4-5-7-8-20-1-3-55 ...	1			367640 (Direct and second) LHD 2020	1
		7006 (50.100) Nut 3/8-24 2001A-3A-4-5-7-8-20-1-3-55	1			360359 (First and reverse) 1951	1
		3884 Washer 1951-2000-1-3-6-10-11	1			360360 (First and reverse) LHD 2000-1-10-11	1
3.3032		SHAFT & BOOSTER ASSEMBLY, Steering column idler lever 354081 LHD 2001A-3A-4-5-7-8-20-1-3-55	1			367682 (First and reverse) LHD 2001A-3A-4-5-7-8-21-3-55	1
3.3033		SPRING, Steering column idler lever shaft & booster 351661 (Direct and second) LHD 2001A-3A-4-5-7-8-20-1-3-55	1			360381 (First and reverse) LHD 2003-6	1
3.3034		BRACKET ASSEMBLY, Steering column idler lever shaft & booster spring 354067 (Direct and second) LHD 2001A-3A-4-5-7-8-20-1-3-55	1			367696 (First and reverse) LHD 2020	1
3.3035		BRACKET, Steering column idler lever shaft & booster spring 354068 (Direct and second) LHD outer 2001A-3A-4-5-7-8-20-1-3-55	1			378566 (Direct and second) RHD 2000-1-10-11	1
3.3036		LINK, Steering column idler lever shaft & booster spring 351659 (Direct and second) LHD 2001A-3A-4-5-7-8-20-1-3-55	1			335697 (Direct and second) RHD 2001A-21	1
3.3037		PIN, Steering column idler lever shaft & booster spring 354065 (Direct and second) LHD 2001A-3A-4-5-7-8-20-1-3-55	1			347665 (Direct and second) RHD 2003A-4-5-7-8-23-55 ..	1
		6902 (50.120) Nut 3/8-24 LHD	1			335750 (Direct and second) RHD 2020	1
		6781 Washer 1/8 x 25/64 x 13/16 LHD	2			378568 (First and reverse) RHD 2000-1-10-11	1
3.304		SPRING, Steering column idler lever shaft 338665 (Direct and second) RHD 2001A-20-1	1			335666 (First and reverse) RHD 2001A-21	1
3.3045		TIE ROD, Steering column gear shift idler lever shaft 373454 LHD 1951-2000-1-10-11	1			347663 (First and reverse) RHD 2003A-4-5-7-8-23-55 ..	1
		360386 LHD 2003-6	1			335722 (First and reverse) RHD 2020	1
		360386 RHD 2000-1-10-11	1			4290 (50.240) Cotter pin 3/32 x 5/8 1951-20th Sr. x	
		4290 (50.240) Cotter pin 3/32 x 5/8	1			4289 (50.240) LHD Cotter pin 3/32 x 1/2 2001A-3A-4-5-7-8-20-1-3-55	1
		7191 (50.240) Cotter pin 1/16 x 7/16	1			330344 Spring washer 5/16 LHD 1951-20th Sr.	x
		330344 Spring washer 5/16	1			3874 (50.200) Washer 5/16 2000-1-3-6-10-11	2
		338405 Washer 5/16	1			338405 LHD Washer 5/16 1951-2001A-3A-4-5-7-8-20-1-3-55	x
3.3046		SUPPORT ASSEMBLY, Steering column gear shift idler lever shaft 373364 LHD 1951-2000-1-3-6-10-11	1	3.3085		YOKE END, Steering column idler lever (to transmission) rod 242077 (5/16 adjustable) LHD 2001A-3A-4-5-7-8-20-1-3-55	2
		378428 RHD 2000-1-10-11	1			7005 (50.100) Nut 5/16-24	2
		5506 (50.220) Lockwasher 3/8	2			7525 Pin 5/16	2
		7244 (50.003) Screw 3/8 - 16 x 7/8	2			190291 Spring washer 5/16	2
3.3047		LUBRICATOR CONNECTOR, Steering column gear shift idler lever shaft support 302739 1951-2000-1-3-6-10-11	1			338406 Washer 5/16	4
				3.3088		SEAL, Steering column gear shift idler lever 373387 1951-2000-1-3-6-10-11	2
				3.309		SPRING, Steering column idler lever 338555 2003A-4-5-7-8-23-55	1
				3.310		LEVER, Steering column gear shift 373429 (Chrome) 1951-2000-1-3-6-10-11	1
						▲379866 (Paint) 2000-1-3-6-10-11	1
						377535 LHD 2001A-3A-4-5-7-8-20-1-3-55	1
						348709 RHD 2001A-3A-4-5-7-8-20-1-3-55	1
						4290 (50.240) Cotter pin 3/32 x 5/8	1
						7525 Pin	1
						330344 Washer 5/16	1
				3.311		BOOT, Steering column lever 377456 (Tan) 1951-2000-1-1A-3-3A-4-5-7-8-10-11-2020-1-3-55	1
						382349 (Tan) 2006	1
						377995 (Black) 2020-1-3	1
						364203 (Green Gray) 2020-1-3-30	1
				3.3125		HOUSING, Steering column lever 330922 1951-20th Sr.	1

*Used on Clipper four door sedans built after Jan. 1, 1942 only. All other body types have chrome trim.

INDEX NO.	PART NO.	DESCRIPTION AND MODELS	PER CAR	INDEX NO.	PART NO.	DESCRIPTION AND MODELS	PER CAR
TRANSMISSION GEAR SHIFT—Continued				TRANSMISSION GEAR SHIFT—Continued			
3.313		BRACKET, Steering column lever housing		3.325		SHAFT & HOUSING ASSEMBLY, Steering column gear shift (Cont'd)	
	356657	1951	1		364524	LHD (Tan) (Use on body 1591) 2055	1
	356657	RHD 2001-3A-4-5-11-20-1-3-55	1		358268	LHD (Tan) (Use on body 1590) 2055	1
	378389	RHD 2007-8	1		378730	RHD 2000-1-10-11	1
3.314		KNOB, Steering column lever			364525	RHD 2001A	1
	373565	1951	1		364526	RHD (Tan) 2003A-4-5	1
	377996	(Brown) 2000-1	1		378397	RHD (Chrome & tan) 2007-8	1
	377982	LHD (Gray) 2001A-3-3A-4-5-6-55	1		364511	RHD (Blue Gray) 2020-1	1
	378337	LHD (Brown) 2007-8	1		378497	RHD (Black) 2020-1	1
	378333	(Blue) 2010-1	1		364514	RHD (Green Gray) 2020-1	1
	378334	LHD (Blue) 2020-1-3	1		364525	RHD (Tan) 2020-1	1
	377996	LHD (Brown) 2020-1-3	1		378498	RHD (Black) 2023	1
	378335	LHD (Green) 2020-1-3-30	1		364512	RHD (Blue Gray) 2023	1
	378336	LHD (Maroon) 2020-1-3	1		364515	RHD (Green Gray) 2023	1
	377997	RHD (Gray) 2001A-3A-4-5	1		364526	RHD (Tan) 2023	1
	377999	RHD (Brown) 2007-8	1	3.3255		BEARING, Steering column gear shift shaft	
	364191	RHD (Blue) 2020-1-3	1		364522	1951-20th Sr.	1
	378026	RHD (Brown) 2020-1-3	1	3.326		BRACKET, Steering column shaft	
	364193	RHD (Green) 2020-1-3	1		373457	1951-20th Sr.	1
	358585	RHD (Maroon) 2020-1-3	1	3.327		CLAMP, Steering column shaft bracket	
3.315		TRIM RING, Steering column lever knob			333018	1951-20th Sr.	1
	348098	RHD (Chrome) 2001A-3A-4-5-7-8-20-1-3-55	1		5502	(50.220) Lockwasher 1/4	2
3.316		SELECTOR, Steering column			7004	(50.100) Nut 1/4-28	2
	333151	1951-20th Sr.	1	3.328		LEVER, Steering column shaft	
3.3165		PIN, Steering column selector			360349	(First and reverse) (with bushing) 1951	1
	333154	1951-20th Sr.	1		360417	(First and reverse) (Steel) 2000-1-3-6-10-11.	1
3.317		ROD ASSEMBLY, Steering column selector			360425	(First and reverse) (Steel) 2001A-3A-4-5-7-8-20-1-3-55	1
	373430	LHD 2000-1-10-11	1		309841	Washer	x
	330930	LHD (Not used on 1532-50-70-90) 2001A-3A-4-5-8-20-1-3-55	1	3.329		LEVER, Steering column shaft	
	373431	LHD 1951-2003-6	1		360346	(Direct and second) (With bushing) 1951	1
	358320	LHD (Use on bodies 1532-50-70-90) 2005-7-8-55	1		360419	(Direct and second) (Steel) 2000-1-3-6-10-11.	1
	378727	RHD 2000-1-10-11	1		360426	(Direct and second) (Steel) 2001A-3A-4-5-7-8-20-1-3-55	1
	335751	RHD 2001A-20-1	1		371825	Washer	1
	347667	RHD 2003A-4-5-7-8-23-55	1	3.3291		BUSHING, Steering column gear shift shaft lever	
3.319		BUMPER, Steering column gear shift selector rod			364522	(Direct and second) 1951-2000-1-3-6-10-11 ...	2
	341023	1951-20th Sr.	3		373424	(First and reverse) 1951-2000-1-3-6-10-11 ...	1
3.320		PLUG, Steering column selector rod end		3.3295		BRACKET, Steering column shaft (second & direct) lever anti-shake	
	330935	Large 1951-20th Sr.	1		364471	LHD 2001A-3A-4-5-7-8-20-1-3-55	1
	330921	Small 1951-20th Sr.	1		364472	Bolt LHD	1
3.321		PLUNGER, Steering column selector rod end			5500	(50.220) Lockwasher #10 LHD	2
	330936	1951-20th Sr.	1		7169	(50.120) Nut 1/4-28 LHD	x
3.322		SPRING, Steering column selector rod and plunger			7588	Screw #10-32 x 3/8 LHD	2
	330937	1951-20th Sr.	1		6757	(50.200) Washer #10 LHD	2
3.323		SPRING, Steering column selector rod		3.3296		BUSHING, Steering column gear shift shaft insulator	
	333201	1951-20th Sr.	1		360432	1951	2
3.324		RETAINER, Steering column selector rod spring		3.3297		INTERLOCK, Steering column gear shift shaft lever	
	333204	1951-20th Sr.	1		373408	(First and reverse) 1951	1
	4306	(50.240) Cotter pin 1/8 x 1	1	3.32975		BRACKET, Steering column gear shift shaft lever interlock	
3.325		SHAFT & HOUSING ASSEMBLY, Steering column gear shift			373399	(First and reverse) 1951	1
	377985	LHD 2000-1-10-11	1	3.32976		RETAINER, Steer. column gear shift shaft lever interlock	
	364524	LHD (Tan) 2001A-3A-4-5	1		373407	(First and reverse) 1951	1
	377986	LHD 1951-2003	1	3.32977		SPRING, Steering column gear shift shaft lever interlock	
	358268	LHD (Tan) 2005	1		373378	(First and reverse) 1951	1
	378360	LHD 2006	1				
	378396	LHD (Chrome & tan) (Not used on 1542-51) 2007-8	1				
	378395	LHD (Chrome & tan) (Use on bodies 1542-51) 2007-8	1				
	378496	LHD (Black) 2020-1-3	1				
	364510	LHD (Blue Gray) 2020-1-3	1				
	364513	LHD (Green Gray) 2020-1-3-30	1				
	364524	LHD (Tan) 2020-1-3	1				

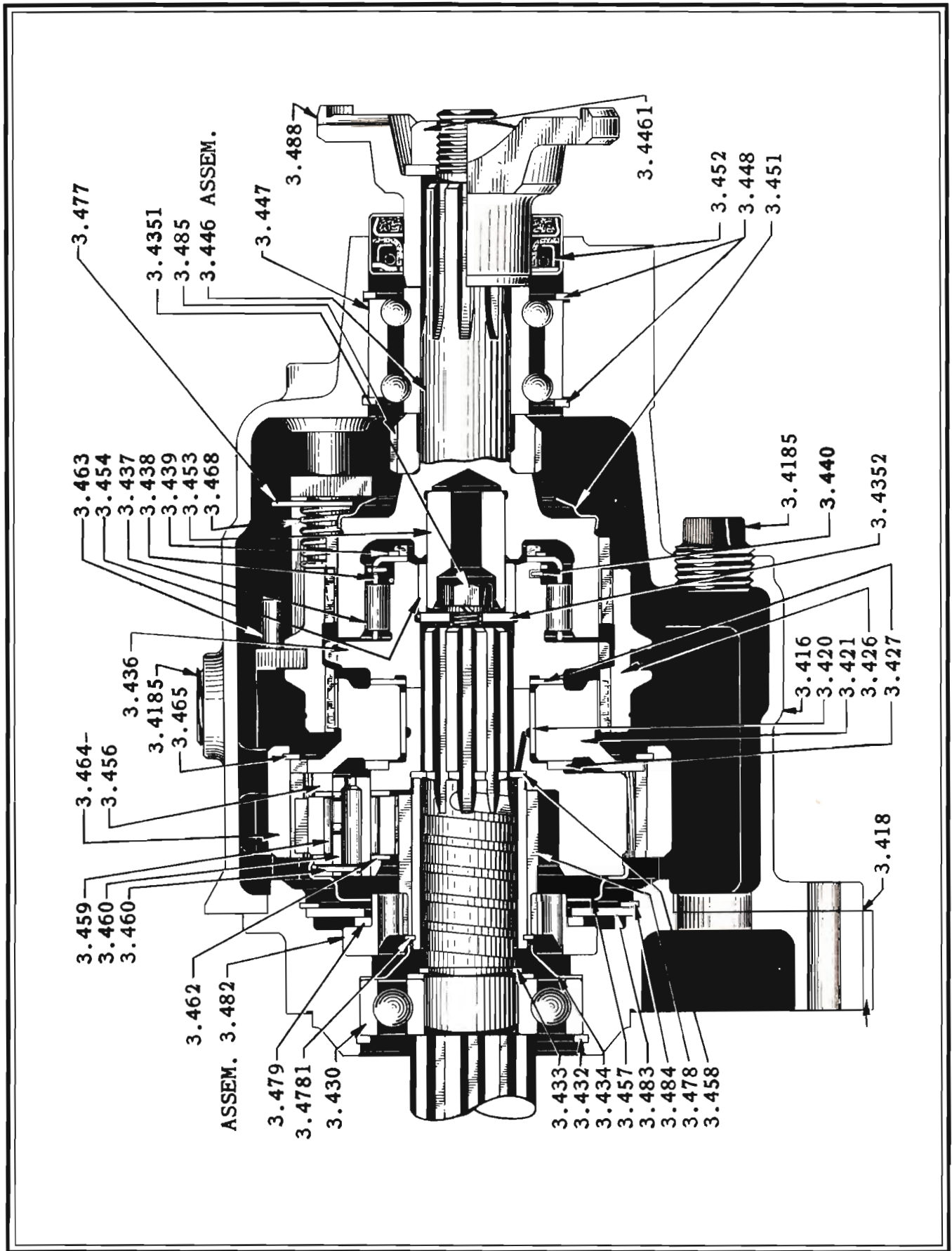
CLUTCH AND TRANSMISSION

3.3298 - 3.404

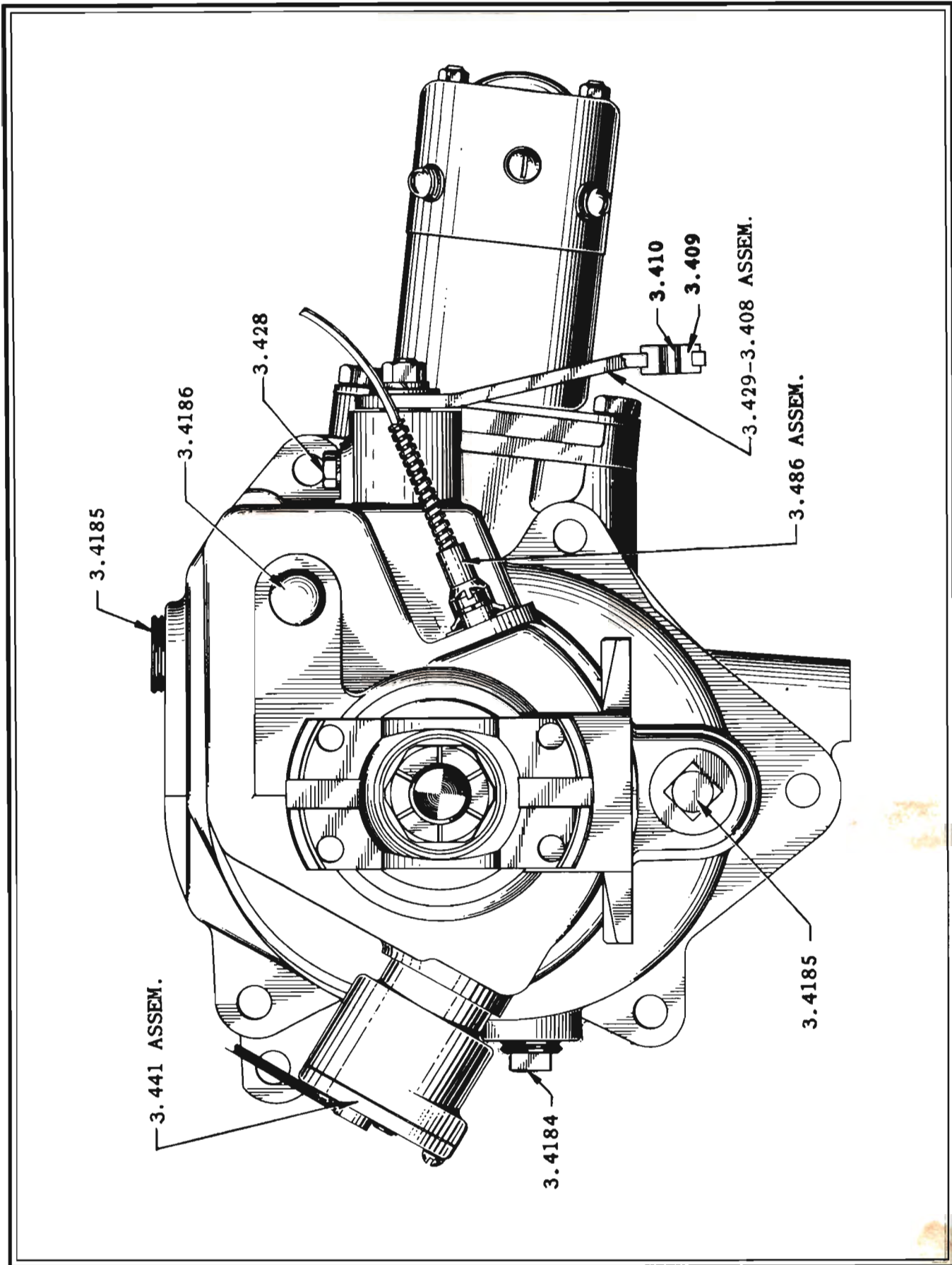
INDEX NO.	PART NO.	DESCRIPTION AND MODELS	PER CAR
TRANSMISSION GEAR SHIFT—Continued			
3.3298	RETAINING RING, Steering column shaft lever		
	324007 (First and reverse) 1951-20th Sr.		1
	333171 (Second and direct) 1951-20th Sr.		1
3.330	ROD, Steering column shaft lever (to idler lever)		
	371546 Inner 1951		2
	371521 Outer 1951		2
	360372 LHD (Outer) (Bent) 2000-1-3-6-10-11		1
	371521 LHD (Outer) (Not bent) 2000-1-3-6-10-11		1
	335509 Lower 2001A-20-1		2
	335510 LHD Upper 2001A-3A-4-5-7-8-21-3-55		2
	335511 Upper 2020		2
	378813 RHD (Inner) 2000-1-10-11		2
	4290 (50.240) Cotter pin 3/32 x 5/8		x
	3874 (50.200) Washer 5/16		x
	338405 (50.200) Washer 5/16 1951		4
	330344 (50.242) Springwasher 5/16 1951		4
3.331	ROD, Steering column shaft lever (to idler lever) (first and reverse)		
	360374 LHD (Inner) 2000-1-10-11		1
	360377 LHD (Inner) 2003-6		1
	335604 LHD (Lower) 2003A-4-5-7-8-23-55		1
	378814 RHD (Outer) 2000-1-10-11		1
	335660 RHD (Lower) 2001A-21		1
	335885 RHD (Upper) 2001A-21		1
	347669 RHD (Lower) 2003A-4-5-7-8-23-55		1
	347708 RHD (Upper) 2003A-4-5-7-8-23-55		1
	335681 RHD (Lower) 2020		1
3.332	ROD, Steering column shaft lever (to idler lever) (direct and second)		
	360370 LHD (Inner) 2000-1-10-11		1
	360390 LHD (Inner) 2003-6		1
	335603 LHD (Lower) 2003A-4-5-7-8-23-55		1
	378815 RHD (Outer) 2000-1-10-11		1
	335646 RHD (Lower) 2001A-21		1
	347664 RHD (Lower) 2003A-4-5-7-8-23-55		1
	347709 RHD (Upper) 2003A-4-5-7-8-23-55		1
	335709 RHD (Lower) 2020		1
	338405 Washer RHD 2003A-4-5-7-8-23-55		1
3.3325	SHIM, Steering column shaft lever		
	371827 (First and reverse) (.005) 1951-20th Sr.		x
	371826 (First and reverse) (.015) 1951-20th Sr.		x
	371520 (First and reverse) (.035) 1951-20th Sr.		x
3.333	TURNBUCKLE, Steering column shaft lever (to idler level) rod		
	335512 1951-20th Sr.		2
	335513 Lock nut (RH thd)		2
	335514 Lock nut (LH thd)		2
3.334	SPRING, Steering column shaft anti-rattler		
	364516 1951		1
	377870 LHD 20th Sr.		1
	364516 RHD 20th Sr.		1
3.3341	PLUG, Steering column shaft anti-rattler spring		
	338043 1951-20th Sr.		1
3.346	LEVER, Direct drive and second speed shifter		
	367539 LHD (With rubber bushing) 1951-20th Sr.		1
	335645 RHD 20th Sr.		1
	5504 (50.220) Lockwasher 5/16		1
	7828 (50.003) Screw 5/16-24 x 1-1/8		1
3.3465	BUSHING, Direct drive and second speed shifter lever insulator		
	360432 LHD 1951-20th Sr.		1
3.3466	PIN, Direct drive and second speed shifter lever		
	371171 LHD 2020-1-3		1
	4289 Cotter pin 3/32 x 1/2		1

INDEX NO.	PART NO.	DESCRIPTION AND MODELS	PER CAR
TRANSMISSION GEAR SHIFT—Continued			
3.347	LEVER, First speed and reverse shifter		
	367695 LHD (With Rubber bushing) 1951-20th Sr.		1
	335657 RHD 20th Sr.		1
	5504 (50.220) Lockwasher 5/16		1
	7828 (50.003) Screw 5/16-24 x 1-1/8		1
3.348	BUSHING, First speed and reverse shifter lever insulator		
	360432 1951-20th Sr.		1
TRANSMISSION ECONO-DRIVE			
3.400	TRANSMISSION AND ECONO-DRIVE ASSEMBLY		
	<i>Note:- Transmission without Econo Drive refer to Index Code 3.200 For Econo Drive Electrical Parts refer to Index Code 4.2200 through 4.2233</i>		
	901143 LHD 1951-2000-1-1A-10-11-21		1
	901147 LHD 2003-3A-4-5-6-7-8-23		1
	901148 LHD 2020		1
	901149 RHD 2000		1
	901150 RHD 2001		1
	901151 RHD 2001A-21		1
	901152 RHD 2003A-4-5-7-8-23		1
	901153 RHD 2020		1
3.400	TRANSMISSION AND ECONO-DRIVE ASSY. (Continued)		
	237673 Gasket (long drilled head screw)		2
	5506 (50.220) Lockwasher 3/8		3
	120813 Lockwire (10" long)		1
	6641 (50.003) Screw 3/8-16 x 2-1/2"		3
	6896 (50.003) Screw (Short) 3/8-16 x 2"		2
	3877 (50.200) Washer 3/8"		2
3.401	CASE, Transmission		
	367590 1951-20th Sr.		1
	5510 (50.220) Lockwasher 1/2		1
	6897 (50.003) Screw 1/2-13 x 1-7/8 (to housing) ..		5
3.4015	COVER ASSEMBLY, Transmission case		
	379015 LHD 1951-20th Sr.		1
	360449 RHD 20th Sr.		1
3.402	GASKET, Case (to econo-drive assembly)		
	333694 1951-20th Sr.		1
3.403	GEARS AND BEARINGS ASSY., Driving shaft, first and second speed.		
	354954 (Supers 354956) 1951-20th Sr.		1
3.404	CABLE ASSEMBLY, Lockout		
	373472 1951-2000-1-3-10-11		1
	364944 LHD 2001A-3A-4-5-55		1
	378437 LHD 2006		1
	379204 LHD 2007-8		1
	378295 LHD (Black) 2020-1-3		1
	364945 LHD (Blue gray) 2020-1-3		1
	364946 LHD (Green gray) 2020-1-3		1
	364944 LHD (Tan) 2020-1-3		1
	364947 RHD (Tan) 2001A-3A-4-5-55		1
	379206 RHD (Brown) 2007-8		1
	378297 RHD (Black) 2020-1-3		1
	364948 RHD (Blue gray) 2020-1-3		1
	364949 RHD (Green gray) 2020-1-3		1
	364947 RHD (Tan) 2020-1-3		1
	4290 (50.240) Cotter pin		1
	5502 (50.220) Lockwasher 1/4 std. 1951-2000-1-3-6-10-11		2
	7004 (50.100) Nut 1/4-28		x
	362839 Nut 5/16-24 1951-2001A-3A-4-5-7-8-20-1-3-55 ..		1
	7700 (50.004) Screw 1/4-28 x 5/8 1951-2000-1-3-6-10-11		2

INDEX NO.	PART NO.	DESCRIPTION AND MODELS	PER CAR	INDEX NO.	PART NO.	DESCRIPTION AND MODELS	PER CAR
TRANSMISSION ECONO-DRIVE—Continued				TRANSMISSION ECONO-DRIVE—Continued			
3.404		CABLE ASSEMBLY, Lockout (Cont'd)		3.420		HUB, Unit clutch	
	7525	Yoke end pin	1	347606	1951-2000-1-1A-10-11-20-1	1	1
	333722	Yoke end 1/3	1	347765	2003-3A-4-5-6-7-8-23-55	1	1
3.4045		KNOB, Lockout cable assembly		3.421		BUSHING, Unit clutch hub	
	373570	(Brown) 1951-2000-1-20-1-3	1	347746	1951-20th Sr.	1	1
	377942	(Gray) 2001A-3-3A-4-5-6-7-8-55	1	3.426		SLEEVE, Unit clutch	
	378283	(Brown) 2007-8	1	347608	1951-20th Sr.	1	1
	378433	(Blue) 2010-1	1	3.427		THRUST WASHER, Unit clutch	
	364928	(Blue) 2020-1-3	1	362821	Front 1951-20th Sr.	1	1
	364930	(Green) 2020-1-3	1	347607	Rear 1951-20th Sr.	1	1
	364927	(Maroon) 2020-1-3	1	3.4275		SPRING, Trans. econo-drive unit clutch	
3.405		BRACKET, Lockout cable		371251	Front (thrust washer) 1951-20th Sr.	1	1
	373740	1951-2000-1-3-6-10-11	1	3.428		SHAFT, Unit control	
	338205	LHD 2001A-3A-4-5-7-8-20-1-3-55	1	355030	1951-20th Sr.	1	1
	338151	RHD 2001A-20-1	1	5502	(50.220) Lockwasher 1/4	1	1
	302456	"U" Bolt (Not used on 2001A-3-6-20-1 RHD) 1951-20th Sr.	1	338495	Screw	1	1
	338152	"U" Bolt RHD 2001A-20-1	1	6359	(50.200) Washer	1	1
	5502	(50.220) Lockwasher 1/4	2	3.429		LEVER, Unit control shaft	
	7004	(50.100) Nut 1/4-28	2	347570	1951-20th Sr.	1	1
	7249	(50.003) Screw 1/4-28 x 3/4	2	7150	(50.220) Lockwasher 5/16	1	1
3.406		CLIP, Lockout cable		7305	(50.100) Nut 5/16-18	1	1
	338407	RHD (To brake master cylinder) 2003A-4-5-7-8- 23-55	1	3.4295		OIL SEAL, Trans. econo-drive unit control shaft	
	335438	RHD (To dash) 2003A-4-5-7-8-23-55	1	338448	1951-20th Sr.	1	1
3.408		LEVER ASSEMBLY, Lockout control		3.430		BEARING, Unit driving shaft	
	347571	1951-20th Sr.	1	338730	1951-20th Sr.	1	1
3.409		BUSHING, Lockout control lever		338496	Washer	1	1
	333146	1951-20th Sr.	1	3.432		RETAINING RING, Unit driving shaft bearing	
3.410		SPACER, Lockout control lever bushing		338472	(Std.) 1951-20th Sr.	x	x
	333181	1951-20th Sr.	1	338473	(Medium) 1951-20th Sr.	x	x
3.411		PLUNGER, Lockout		338474	(Thick) 1951-20th Sr.	x	x
	347609	1951-20th Sr.	1	338475	(Extra thick) 1951-20th Sr.	x	x
3.413		INSULATOR ASSEMBLY, Support		3.433		SNAP RING, Unit driving shaft bearing (rear)	
	333790	1951-20th Sr.	1	338458	(Thin) 1951-20th Sr.	x	x
	7383	(50.003) Bolt 5/16-24 x 1	2	338459	(Medium) 1951-20th Sr.	x	x
	5504	(50.220) Lockwasher 5/16	2	338460	(Thick) 1951-20th Sr.	x	x
	5506	(50.220) Lockwasher 3/8	1	338461	(Extra thick) 1951-20th Sr.	x	x
	7005	(50.100) Nut 5/16-24	2	3.434		BAFFLE, Unit driving shaft oil	
	7006	(50.100) Nut 3/8-24	1	338491	1951-20th Sr.	1	1
	126770	Washer 1951-2000-1-3-6	1	3.435		CAM AND BUSHING ASSEMBLY, Unit free wheel	
	300129	Washer 2001A-3A-4-5-7-8-20-1-3	1	338855	1951-2000-1-1A-10-11-20-1	1	1
3.414		SHIM, Transmission econo-drive support insulator		347590	2003-3A-4-5-6-7-8-23-55	1	1
	335022	1951-20th Sr.	2	3.4351		SCREW, Unit free wheel cam retaining	
3.415		SPACER, Support insulator		338524	(3/8-24 x 1) 1951-20th Sr.	1	1
	335127	1951-20th Sr.	1	5506	(50.220) Lockwasher 3/8	1	1
3.416		CASE, Transmission econo-drive unit		3.4352		WASHER, Unit free wheel cam retaining screw	
	367002	1951-2000-1-1A-10-11-20-1	1	338502	1951-20th Sr.	1	1
	367003	2003-3A-4-5-6-7-8-23-55	1	3.436		RETAINER ASSEMBLY, Unit free wheeling cam & roller	
	5506	(50.220) Lockwasher 3/8	2	338645	1951-2000-1-1A-10-11-20-1	1	1
	7833	(50.003) Screw 3/8-16 x 1	2	347589	2003-3A-4-5-6-7-8-23-55	1	1
3.417		ADAPTER, Unit case		3.437		ROLLER, Unit free wheel	
	347550	LHD 1951-20th Sr.	1	338457	1951-2000-1-1A-10-11-20-1	12	12
	347551	RHD 20th Sr.	1	347579	2003-3A-4-5-6-7-8-23-55	12	12
3.418		GASKET, Unit case		3.438		RETAINER, Unit free wheel roller	
	347638	LHD 1951-20th Sr.	1	338487	1951-2000-1-1A-10-11-20-1	1	1
	355020	RHD 20th Sr.	1	347580	2003-4-5-6-7-8-23-55	1	1
3.4184		PLUG, Unit case filler		3.439		SNAP RING, Unit free wheel roller retainer	
	6099	(50.720) (1/2-14 so. hd. pipe) 1951-20th Sr. ..	1	338485	1951-20th Sr.	1	1
3.4185		PLUG, Unit case		3.440		SPRING, Unit free wheel roller retainer	
	338522	(3/4-14 headless pipe) 1951-20th Sr.	1	338449	1951-20th Sr.	2	2
	338521	(3/4-14 so. hd. pipe) 1951-20th Sr.	1	3.441		GOVERNOR ASSEMBLY, Unit	
3.4186		PLUG, Unit case shift rail hole		364782	1951-20th Sr.	1	1
	338826	(11/16 welsh) 1951-20th Sr.	1				



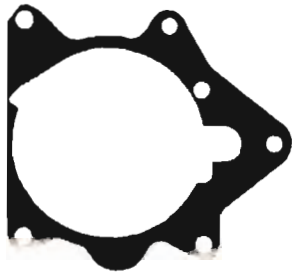
ECONO-DRIVE UNIT



ECONO-DRIVE UNIT, REAR VIEW



3.416



3.418



3.417



3.446



3.436



3.426



3.464



3.456



3.413



4.2233



4.2228



3.452

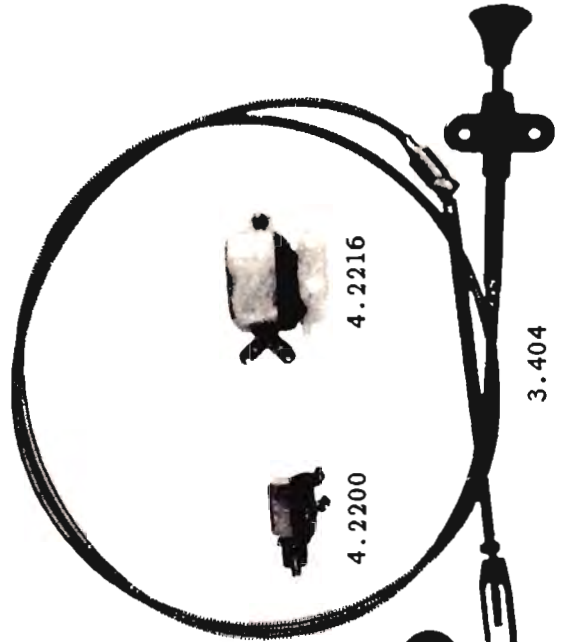


3.447

3.437



3.408



3.404



4.2200



4.2216

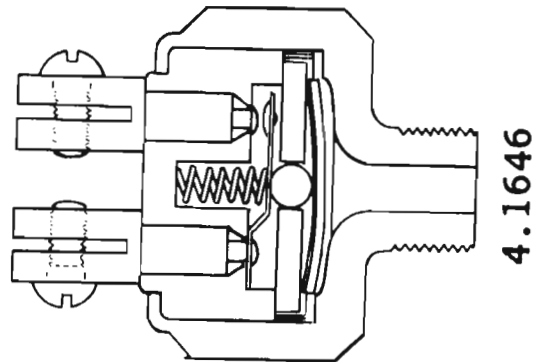
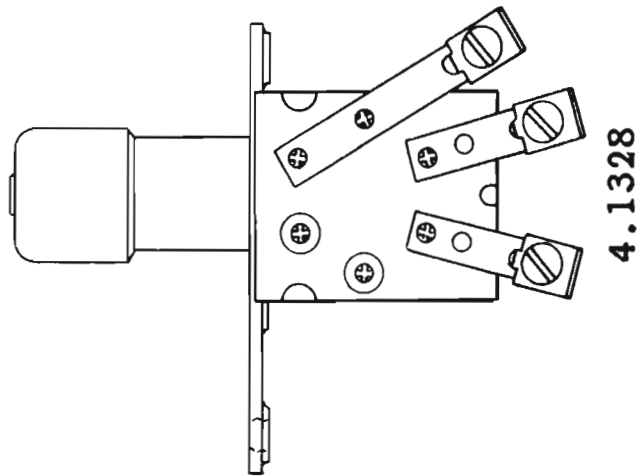
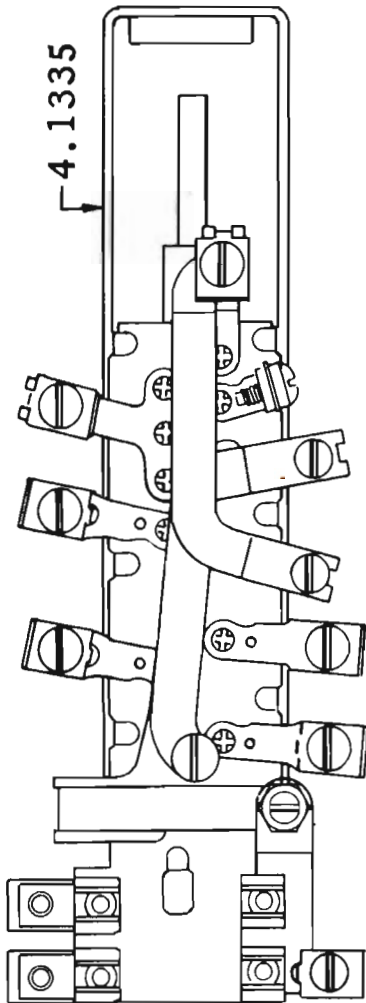
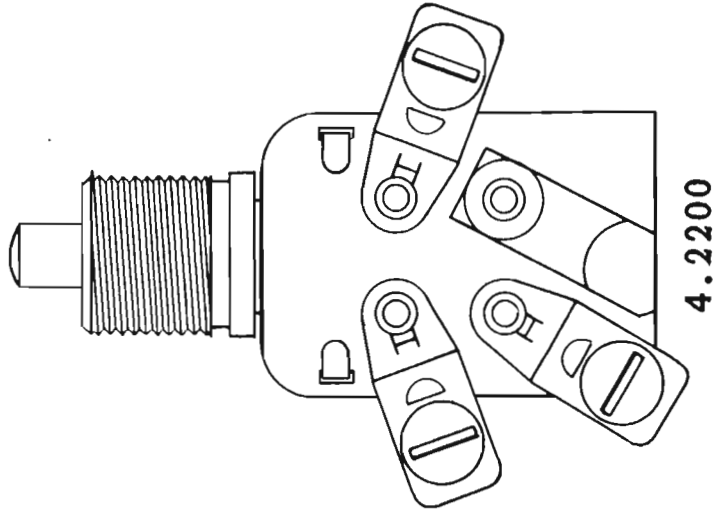
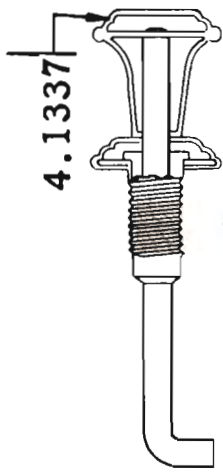
TRANSMISSION ECONO-DRIVE PARTS

INDEX NO.	PART NO.	DESCRIPTION AND MODELS	PER CAR	INDEX NO.	PART NO.	DESCRIPTION AND MODELS	PER CAR
TRANSMISSION ECONO-DRIVE—Continued				TRANSMISSION ECONO-DRIVE—Continued			
3.442	B00T, Governor 354687 1951-20th Sr.		1	3.465	SNAP RING, Unit ring gear 338481 (Medium) 1951-20th Sr. 338480 (Thin) 1951-20th Sr. 338482 (Thick) 1951-20th Sr.		x x x
3.443	PINION, Unit governor 347500 1951-20th Sr.		1	3.466	FORK, Unit shift 355029 1951-20th Sr. 7150 Lockwasher 5/16 338465 Screw		1 1 1
3.444	SLEEVE, Unit governor pinion 347650 1951-20th Sr.		1	3.468	SPRING, Unit shift fork retractor 347976 1951-20th Sr.		1
3.445	SNAP RING, Unit governor pinion 347532 1951-20th Sr.		1	3.469	RAIL, Unit shaft 347975 LHD 1951-20th Sr. 355048 RHD 20th Sr. 5506 Lockwasher 355185 Stop screw		1 1 1 1
3.4455	SWITCH AND COVER ASSY., Trans. E.D. unit governor 367679 1951-20th Sr.		1	3.470	BAFFLE ASSY., Unit shift rail interlock and oil 347838 RHD 20th Sr.		1
3.4456	GASKET, Trans. E.D. unit governor 355034 1951-20th Sr.		1	3.471	LEVER, Unit shift rail interlock 347840 RHD 20th Sr.		1
3.446	SHAFT ASSEMBLY, Unit main 338494 1951-2000-1-1A-10-11-20-1 347577 2003-3A-4-5-6-7-8-23-55		1 1	3.472	SPRING, Unit shift rail interlock lever 347877 RHD 20th Sr.		1
3.4461	NUT, Unit shaft assembly 373443 (50.120) (3/4-16 hex.) 1951-20th Sr. 300910 (50.500) Washer		1 1	3.473	PLUNGER, Unit shift rail interlock 347745 1951 20th Sr. 347841 RHD (Long) 20th Sr. 347733 Plug		1 1 1 1
3.447	BEARING, Unit main shaft 347572 1951-20th Sr.		1	3.478	GEAR, Unit stationary 367086 1951 20th Sr. 338451 Snap ring		1 1
3.448	SNAP RING, Unit main shaft bearing 347573 Front 1951-20th Sr. 347574 (Heavy) Rear 1951-20th Sr. 347575 (Extra heavy) Rear 1951-20th Sr. 347573 (Light) Rear 1951-20th Sr. 347652 (Medium) Rear 1951-20th Sr.		1 x x x x	3.479	RING, Unit stationary gear balk 367884 1951 20th Sr.		1
3.451	RING, Unit main shaft oil collector 338492 1951-20th Sr.		1	3.480	PAWL, Unit stationary gear 347568 1951 20th Sr.		1
3.452	OIL SEAL, Unit main shaft 333546 1951-20th Sr.		1	3.482	PLATE ASSEMBLY, Unit stationary gear 371207 1951 20th Sr.		1
3.453	PILOT, Unit main shaft 338483 1951-20th Sr.		1	3.483	COVER, Unit stationary gear plate 347639 1951 20th Sr.		1
3.454	BUSHING, Unit main shaft pilot 338798 1951-20th Sr.		1	3.484	SNAP RING, Unit stationary gear plate cover 338488 1951 29th Sr.		1
3.456	CAGE ASSEMBLY, Unit pinion 338514 1951-2000-1-1A-10-11-20-1 347576 2003-3A-4-5-6-7-8-23-55		1 1	3.485	GEAR, Speedometer driving (used with all ratios) 333426 (Not used on 2020) 1951-20th Sr. 367114 2000-1-10-11-20		1 1
3.457	RING, Unit pinion cage oil collector 338484 1951-20th Sr.		1	3.486	PINION AND SHAFT ASSEMBLY, Speedometer 347537 (19 teeth) (4.54 to 1) 1951 347536 (18 teeth) (4.36 to 1) 1951 347538 (20 teeth) (4.55 to 1) 2000-10-20 347537 (19 teeth) (4.3 to 1) 2001-11 347537 (19 teeth) (4.9 to 1) 2001A 347538 (20 teeth) (4.9 to 1) 2001A 347538 (20 teeth) (5.22 to 1) (Use with 7.50-16, tires) 2001A 354976 (17 teeth) (4.09 to 1) 2003-6-23 347536 (18 teeth) (4.7 to 1) (Use with 7.50 x 16 tires) 2003A 347537 (19 teeth) (4.7 to 1) (Use with 7.00 x 16 tires) 2003A 347536 (18 teeth) (4.36 to 1) 2004-7 347537 (19 teeth) (4.54 to 1) 2005-8-21-55		57 76
3.459	ROLLER, Unit pinion 338453 1951-2000-1-1A-10-11-20-1 338453 2003-3A-4-5-6-7-8-23-55		3 4	3.488	FLANGE, Universal joint driving shaft 302868 1951 302868 (Not used on 2020) 20th Sr. 355812 2000-1-10-11-20 373443 Nut 300910 Washer		3 4
3.460	SHAFT, Unit pinion 338471 1951-2000-1-1A-10-11-20-1 338471 2003-3A-4-5-6-7-8-23-55 4763 Pin 1951-2000-1-1A-10-11-20-1 4763 Pin 2003-3A-4-5-6-7-8-23-55		3 4 3 4				1 1 1 1 1 1 1 1
3.462	THRUST WASHER, Unit pinion 347716 1951-2000-1-1A-10-11-20-1 347716 2003-3A-4-5-6-7-8-23-55		6 8				
3.463	PLUNGER, Unit reverse lockup 364986 1951-20th Sr.		1				
3.4631	SPRING, Unit reverse lockout plunger 364979 1951-20th Sr. 364987 Washer		1 1				
3.464	RING GEAR, Unit 338511 1951-20th Sr.		1				

Use with "Universal Products" type.

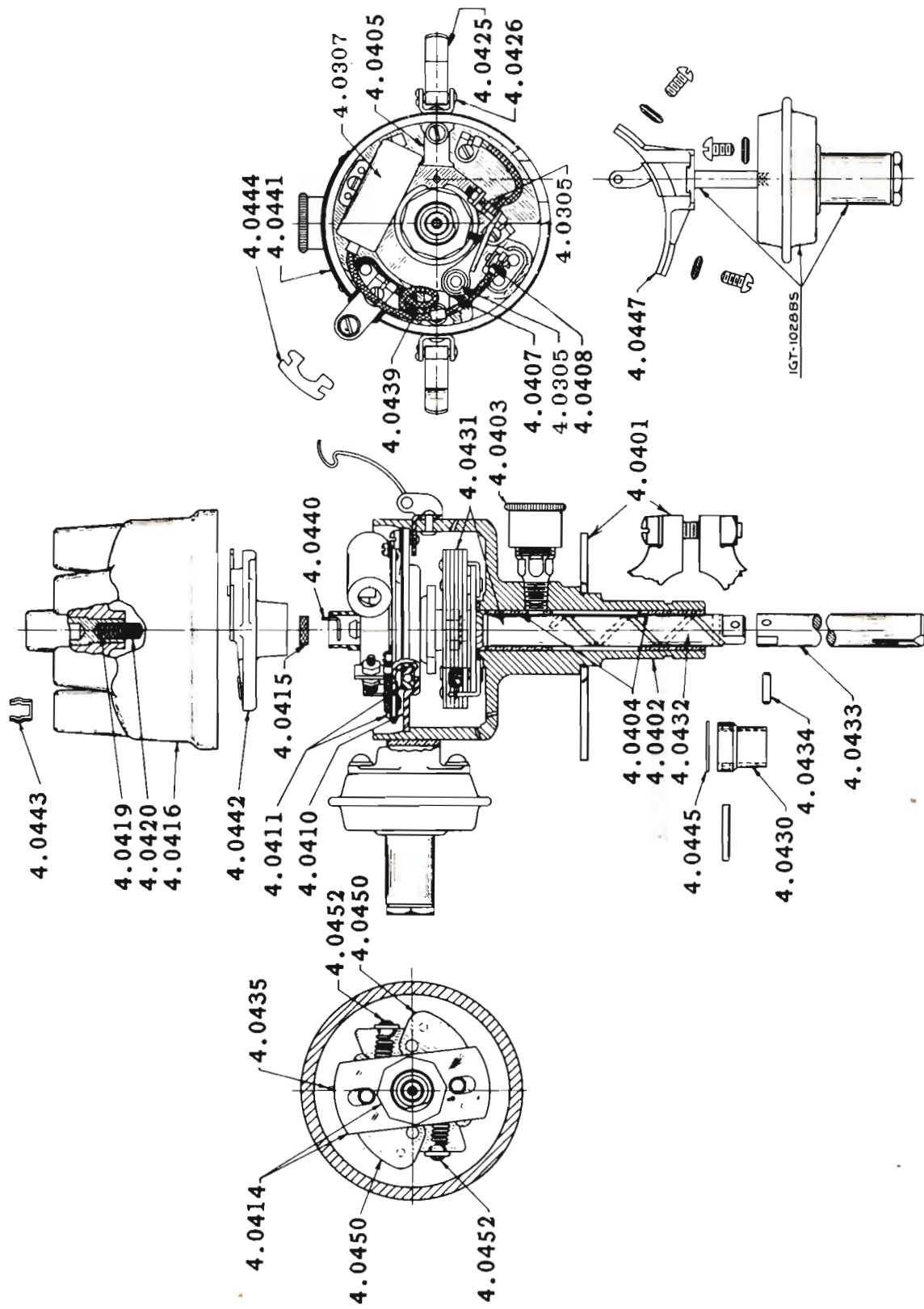
Two types of universal joint shafts were used on Models 2000-1-10-11 equipped with econo-drive (See universal joint shaft illustration). Use with "Mechanics Universal" type.

INDEX NO.	PART NO.	DESCRIPTION AND MODELS	PER CAR	INDEX NO.	PART NO.	DESCRIPTION AND MODELS	PER CAR
BATTERY				BATTERY—Continued			
<i>Note:— For Floor Battery Box Cover refer to Index Code 30.800</i>							
4.0001	CABLE ASSEMBLY, Ground			4.0009	SUPPORT STUD, Battery		
	373131 1951-2000-1-3-6-10-11.....		1		316777 2001A-3A-4-5-7-8-20-1-3-55		2
	338735 2001A-3A-4-5-7-8-20-1-3-55		1		5504 (50.220) Lockwasher 5/16		2
4.0002	TERMINAL, Cable				7305 (50.100) Nut 5/16-18		2
	338691 (Battery end-positive) 2001A-3A-4-5-7-8-20-1-3-55		1		315686 (50.241) Washer		2
4.0003	CABLE ASSEMBLY, Starter			CIGAR LIGHTER			
	373199 1951-2000-1-10-11.....		1	4.0101	BASE ASSY., Instrument board cigar lighter		
	335387 2001A		1		373918 1951		1
	378992 2003-6		1		379614 2000-1-3-6-10-11		1
	358623 2003A		1		379622 2001A-3A-4-5-7-8-20-1-3-55		1
	358624 2004-5-7-8-23-55		1	4.01015	CLAMPING SHELL, Instrument board cigar lighter base		
	335386 2020-1		1		358958 1951		1
4.00046	CLIP, Starter cable				379613 20th Sr.		1
	201570 (To brake master cylinder) 2001A-3-4-5-7-8-20-1-3-55		x	4.01016	GASKET, Instrument board cigar lighter base		
	67277 (50.600) (To frame) 2001A-20-1		1		358461 2001A-3A-4-5-6-7-8-20-1-3-55		1
	209171 (50.600) (To frame) 2003A-4-5-7-8-23-55		1	4.01017	WASHER, Instrument board cigar lighter base		
	229302 (50.080) Screw 1/4-20 x 1/2 tapping		1		358495 2001A-3A-4-5-6-7-8-20-1-3-55		1
	3877 (50.200) Washer 3/8 plain		x	4.0102	CABLE ASSEMBLY, Instrument board cigar lighter		
	7319 (50.200) Washer 1/4 plain		1		358925 RHD 2001A-3A-4-5-7-8-20-1-3-55		1
4.0005	CARRIER, Battery			4.01025	TERMINAL, Instrument board cigar lighter cable		
	335188 2001A-3A		1		225377 RHD (11/64 eye) 2001A-3A-4-5-7-8-20-1-3-55 ..		1
	333667 2004-5-21-3-55		1		71397 RHD (Open end) 2001A-3A-4-5-7-8-20-1-3-55 ...		1
	379832 2007-8		1		36111 Insulator		2
	333666 2020		1		5225 (50.220) Lockwasher #8		1
	333667 2030		1		362652 Nut #8-32 spl.		1
4.0006	GUIDE, Carrier brake cable			4.0104	ELEMENT & KNOB ASSEMBLY, Instrument board cigar lighter		
	335189 2001A-3A		1		373587 2000-1-3-6-10-11		1
	333668 2004-5-7-8-20-1-3-55		1		377931 2001A-3A-4-5-55		1
4.0007	CLAMP, Battery				377932 2007-8		1
	315685 2001A-3A-4-5-7-8-21-3-55		1		364397 (Blue) 2020-1-3		1
	315684 2020		1		377930 (Brown) 2020-1-3		1
	315685 2030		1		364399 (Green) 2020-1-3		1
4.00073	RETAINER ASSEMBLY, Battery				364396 (Maroon) 2020-1-3		1
	373007 1951-2000-1-3-6-10-11.....		1	4.01041	KNOB ASSEMBLY, Instrument board cigar lighter		
4.0008	SUPPORT ASSEMBLY, Battery				379854 (Macoid) (Less element assy.) 2000-1-3-6-10-11		1
	373516 2000-1-10-11		1		373198 (Chrome) (Less element assy.) 1951-2000-1-3-6-10-11		1
	351005 2001A-3A		1		377458 (Less element assy.) 2001A-3A-4-5-55		1
	377221 1951-2003-6		1		378160 (Less element assy.) 2007-8		1
	333383 Front 2004-5-7-8-20-1-3-55		1		364386 (Green) (Less element assy.) 2020-1-3		1
	333433 Rear 2004-5-7-8-20-1-3-55		1		364384 (Blue) (Less element assy.) 2020-1-3		1
	5506 (50.220) Lockwasher 3/8 split 2001A-3A-4-5-7-8-20-1-3-55		4		378159 (Brown) (Less element assy.) 2020-1-3		1
	7006 (50.100) Nut 3/8-24 plain 2001A-3A-4-5-7-8-20-1-3-55		4		364383 (Maroon) (Less element assy.) 2020-1-3		1
	4174 (50.400) Rivet 5/16 x 3/4 2001A-3A		4	4.01042	ESCUTCHEON, Instrument board cigar lighter knob		
	373230 Screw 3/8-16 x 9/16 hex. hd. 1951		6		364408 2001A-3A-4-5-7-8-20-1-3-55		1
	377349 Screw 3/8-16 x 11/16 2000-1-3-6-10-11		6	4.01043	STUD, Instrument board cigar lighter knob		
	7387 Screw 3/8-24 x 7/8 2020-1-3		4		373358 2000-1-3-6-10-11		1
	3877 (50.200) Washer 3/8 plain 2001A-3A-4-5-7-8-20-1-3-55		1		358429 2001A-3A-4-5-7-8-23-55		1
4.00083	BOLT, Battery support			4.01046	RETAINER, Instrument board cigar lighter knob		
	371342 1951-2000-1-3-6-10-11		2		358475 2001A-3A-4-5-7-8-20-1-3-55		1
	371343 Grommet		2	4.0105	ELEMENT (TIP) ASSY., Instrument board cigar lighter		
	6359 (50.200) Washer 5/16		2		356577 1951-2000-1-3-6-10-11.....		1
4.00084	WING NUT, Battery support bolt				364392 2001A-3A-4-5-7-8-20-1-3-55		1
	371344 1951-2000-1-3-6-10-11		2				
4.00085	BRACKET, Battery support						
	371558 1951-2000-1-3-6-10-11		1				
	373493 Rear 2000-1-10-11		1				
	373920 Rear 1951-2003-6		1				



ELECTRICAL SWITCHES

INDEX NO.	PART NO.	DESCRIPTION AND MODELS	PER CAR	INDEX NO.	PART NO.	DESCRIPTION AND MODELS	PER CAR
CLOCK				CLOCK—Continued			
4.0200	CLOCK, Instrument board			4.02105	FUSE, Instrument board clock		
	371488 (Beige) 1951		1		362639 (2 Amp.) 1951-20th Sr.		1
	375095 (Brown) (Special) 2000-1		1	4.02106	CONTAINER, Instrument board clock fuse		
	375097 (Gray) 2003-6		1		362546 2004-5-7-8-20-1-3-55		1
	359900 (Silver) 2004-5-55		1	4.02107	SPRING, Instrument board clock fuse container		
	359901 2007-8		1		362346 2004-5-7-8-20-1-3-55		1
	375096 (Blue) 2010-1		1	4.02108	SEAT, Instrument board clock fuse container		
	359899 (Blue) 2020-1		1		spring		
	374631 (Brown) 2020-1		1		362345 2004-5-7-8-20-1-3-55		1
	363702 (Green) 2020-1		1	4.02145	BULB, Instrument board clock light		
	363700 (Maroon) 2020-1		1		223889 (50.960) (Mazda #51) (compt. illuminating)		
	359901 (Bronze) 2023		1		20th Sr.		1
	359900 (Silver) 2023		1		225655 (50.960) (Mazda #55) (dial illuminating)		
	6472 (50.230) Lockwasher #8 2000-1-3-6-10-11		4		1951-20th Sr.		1
	6056 (50.230) Lockwasher #10 2004-5-7-8-20-1-3-55		4	DISTRIBUTOR			
	7002 (50.100) Nut #8-32 2000-1-3-6-10-11		4	4.03001	DISTRIBUTOR		
	7411 (50.000) Screw #10-32 x 5/16 2004-5-7-8-20-1-3-55		2		362766 (Autolite #IGC 4505) 2000-10-20-30		1
	333984 Stud - long 2000-1-3-6-10-11		2		364491 (Delco #1110132) 2000-10-20-30		1
	375216 Stud - short 2000-1-3-6-10-11		1		377742 (Autolite #IGP 4502A) 2001-1A-11-21		1
4.0201	CLOCK BEZEL, Instrument board				351081 (Autolite #IGT 4102) 2003-3A-4-5-6-7-8-23-55		1
	377614 1951		1		5504 (50.220) Lockwasher 2000-1-1A-10-11-20-1		2
	379756 2000-1-3-6-10-11		1		7573 (50.003) Screw 5/16-18 x 3/4 2000-1-1A-10-11-20-1		2
	367044 2004-5-7-8-20-1-3-55		1		6359 (50.200) Washer 5/16 2000-10-20		2
4.0202	CABLE ASSEMBLY, Instrument board clock			4.0305	POINT SET, Breaker		
	377617 1951		1		373326 (Delco) 2000-10-20-30		1
	379797 (Complete) 2000-1-3-6-10-11		1		364989 (A-L) (#IGP 3028FS) 2000-10-20-30		1
	379798 (Fuse end only) 2000-1-3-6-10-11		1		354262 (A-L) (#IGP 3028KS) 2001-1A-11-21		1
	367045 2004-5-7-8-20-1-3-55		1		354263 (A-L) (#IGP 3028MS) 2003-3A-4-5-6-7-8-23-55		1
	377618 1951		1	4.0307	CONDENSER, Distributor		
	379801 Grommet 2000-1-3-6-10-11		1		D-1869704 (Delco) 2000-10-20-30		1
4.02025	CLIP, Instrument board clock cable				D-1865972 (Delco) 2001-1A-11-21		1
	371211 1951-2000-1-10-11		2		IGW-3128 (A-L) 2000-10-20-30		1
	359921 2004-5-7-8-20-1-3-55		3		-IG-2671-K (A-L) 2001-1A-11-21		1
	366179 (At clock end) 2004-5-7-8-20-1-3-55		1		317977 (A-L) (IG-2671-J) 2003-3A-4-5-6-7-8-23-55		1
4.02051	CASE, Instrument board clock			4.0311	GASKET, Distributor		
	377619 1951		1		300190 20th Sr.		1
	379751 2000-1-3-6-10-11		1	4.0312	TUBE ASSEMBLY, Distributor (to carburetor)		
	367046 2004-5-7-8-20-1-3-55		1		vacuum control		
	377620 Gasket (rubber) 1951		1		378152 (Autolite) 2000-10-20		1
	379752 Gasket (rubber) 2000-1-3-6-10-11		1		378151 (Delco) 2000-10-20		1
	377621 Screw 1951		2		373951 2001-1A-11-21		1
	379802 Screw (rear cover) #5-40 x 5/32 2000-1-3-6-10-11		2		378669 2003-3A-4-5-6-7-8-23-55		1
4.02054	RETAINER, Instrument board clock case				6906 Nut 3/16 Flared tube inverted weatherhead		2
	379754 (Brown) 2000-1		1	4.0313	CLIP, Distributor (to carburetor vacuum control tube assembly)		
	379753 (Grey) 2003-6		1		207246 20th Sr.		1
	379755 (Blue) 2010-11		1	4.0315	ELBOW, Distributor (to carburetor vacuum control)		
4.0206	DIAL ASSEMBLY, Instrument board clock				6568 (3/16) 20th Sr.		x
	379750 2000-1-3-6-10-11		1		6256 Connector 3/16 2001-1A-21		1
4.0207	DIAL, Instrument board clock (Glass)			4.0316	CONNECTOR, Distributor to carburetor vacuum control tube		
	377616 (Lucite) 1951		1		6256 (3/16 Autolite) 2000-10-20		1
	367043 2004-5-7-8-20-1-3-55		1	4.0402	BASE ASSEMBLY, Distributor		
4.02071	SUB DIAL, Instrument board clock				D-1882392 (Delco) 2000-10-20		1
	379758 (Silver) 2000-1-10-11		1		IGC-2160 (A-L) 2000-10-20		1
	379757 (Bronze) 2003-6		1		IGP-2054 (A-L) 1951-2001-1A-11-21		1
4.02073	GASKET, Instrument board clock flange				IGT-2032A (A-L) 2003-3A-4-5-6-7-8-23-55		1
	377622 (Paper) 1951		1	4.0403	GREASE CUP, Base (1/8)		
4.02095	HAND, Instrument board clock				X-382 (A-L) 1951-20th Sr.		1
	377624 (Minute) 1951		1				
	379785 (Minute) (Brown) 2000-1		1				
	379784 (Minute) (Gray) 2003-6		1				
	379786 (Minute) (Blue) 2010-11		1				
	377623 (Hour) 1951		1				
	379759 (Hour) (Off white) 2000-1-3-6-10-11		1				
	367047 (Minute) 2004-5-7-8-20-1-3		1				
	367048 (Hour) 2004-5-7-8-20-1-3-1		1				

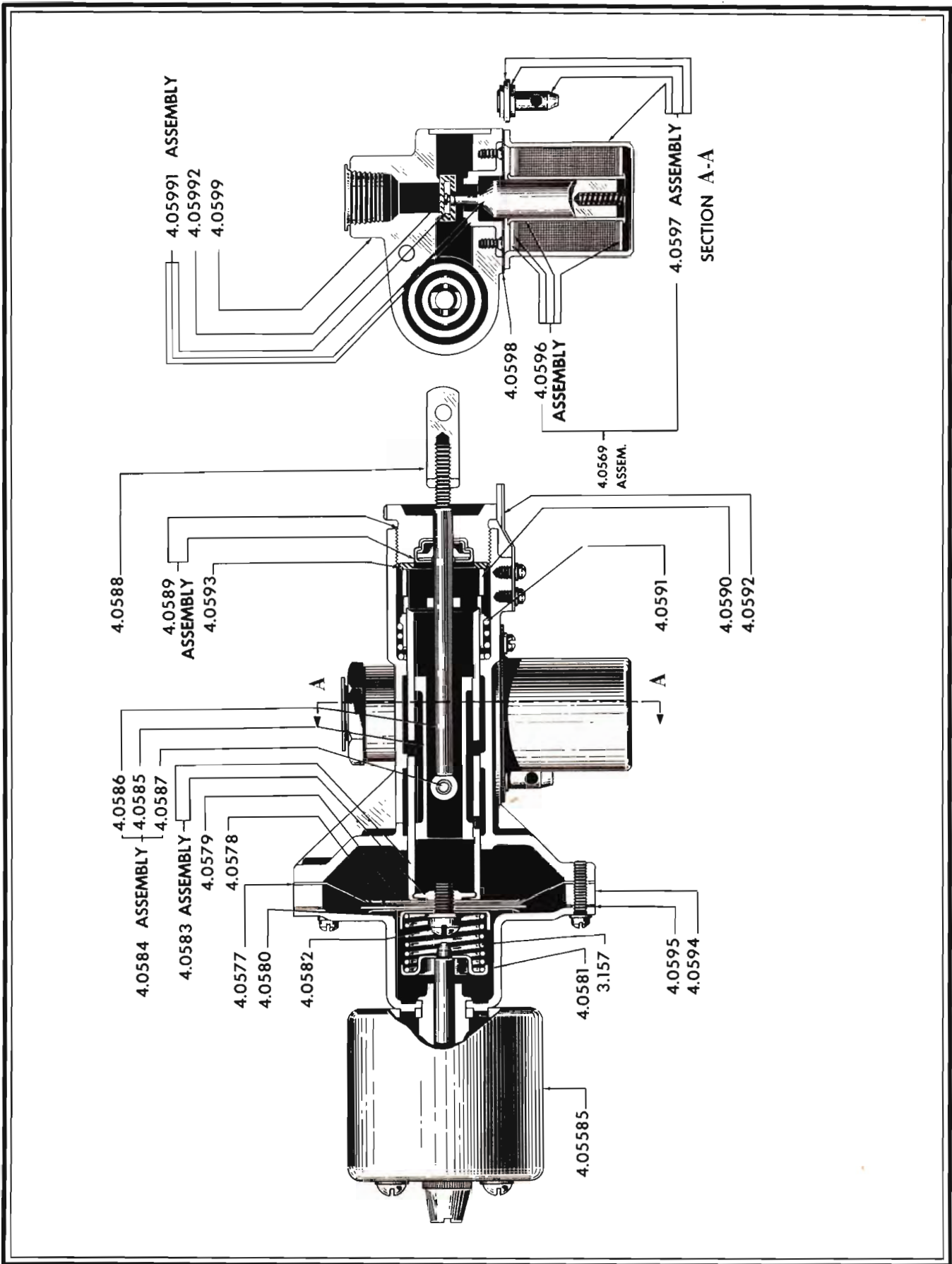


MOTOR DISTRIBUTOR

INDEX NO.	PART NO.	DESCRIPTION AND MODELS	PER CAR	INDEX NO.	PART NO.	DESCRIPTION AND MODELS	PER CAR
DISTRIBUTOR—Continued				DISTRIBUTOR—Continued			
4.0404	BEARING, Base absorbent bronze			4.0434	PIN, Drive shaft		
	D-825463 (Delco) 2000-10-20		1		IGH-55 (A-L) 1951-20th Sr.		1
	IG-579A (A-L) 1951-20th Sr.		2	4.0435	SPRING, Governor control		
4.0405	BEARING CLAMP, Distributor				IGT-69 (A-L) 1951-20th Sr.		1
	IGT-18 (A-L) 2003-3A-4-5-6-7-8-23-55		2	4.0439	LEAD ASSEMBLY, Distributor		
4.0406	BREAKER ARM ASSEMBLY, Distributor (Breaker point sets) (4.0305)				DG-107 (A-L) 1951-2001-1A-11-21		x
	IGP-3028 (A-L) 1951		1		IGT-11A (A-L) 2003-3A-4-5-6-7-8-23-55		1
4.0407	SPRING, Breaker arm				IGT-68 (A-L) 2003-3A-4-5-6-7-8-23-55		1
	IGP-30 (A-L) 1951-2000-1-1A-10-11-20-1		x	4.0440	RING, Lock spring		
	IGP-30L (A-L) 2003-3A-4-5-6-7-8-23-55		x		IG-680 (A-L) 1951-20th Sr.		1
4.0408	CLIP, Breaker arm spring			4.0441	NAME PLATE, Distributor		
	IGP-676 (A-L) 2000-10-20		1		IG-511 (A-L) 1951		1
	IA-131 (A-L) 1951-2001-1A-3-3A-4-5-6-7-8-11-21-3-55		2	4.0442	ROTOR, Distributor		
4.0409	BREAKER PLATE ASSEMBLY, Distributor				D-820445 (Delco) 2000-10-20		1
	IGP-2046 (A-L) 1951		1		IGS-1016B (A-L) 1951-20th Sr.		1
4.0410	BREAKER PLATE (PART) ASSEMBLY, Distributor			4.0443	TERMINAL, Distributor H.T. wire		
	D-1847643 (Delco) 2000-10-20		1		IG-94 (A-L) 1951-20th Sr.		x
	IGC-1148 (A-L) 2000-10-20		1		X-755 (A-L) 1951		x
	IGP-1046 (A-L) 1951-2001-1A-11-21		1	4.0444	COVER, Terminal slot		
	IGT-1030C (A-L) 2003-3A-4-5-6-7-8-23-55		1		IGC-117 (A-L) 2000-10-20		1
4.0412	BREAKER POINT, Distributor (Breaker point set 4.0305)				IGP-41 (A-L) 1951-2001-1A-11-21		1
	IGP-1037M (A-L) 1951		1		IGS-34 (A-L) 2003-3A-4-5-6-7-8-23-55		1
4.0414	CAM & STOP PLATE, Distributor			4.0445	THRUST WASHER, Distributor		
	D-1882396 (Delco) 2000-10-20		1		IG-90 (A-L) 1951-20th Sr.		1
	IGS-1100LA (A-L) 2000-10-20		1	4.0446	VACUUM CHAMBER, Distributor		
	IGT1021L (A-L) 1951-2001-1A-3-3A-4-5-6-7-8-11-21-3-55		1		D-1116034 (Delco) 2000-10-20		1
4.0415	FELT WICK, Distributor cam sleeve				VC-3060KS (A-L) 2000-10-20		1
	IGH-28 (A-L) 1951		1		VC-3060GS (A-L) 1951-2001-1A-11-21		1
4.0416	CAP ASSEMBLY, Distributor				VC-46A Washer (.010" thick) (A-L) 1951		x
	D-824735 (Delco) 2000-10-20		1		VC-46 Washer (.032" thick) (A-L) 1951		x
	IGC-1107S (A-L) 2000-10-20		1		VC-46B Washer (.065" thick) (A-L) 1951		x
	IGP-1003 (A-L) 1951-2001-1A-3-3A-4-5-6-7-8-11-21-3-55		1		VC-15 Plug (A-L) 1951		1
4.0419	SPRING, Cap contact			4.0447	BRACKET, Vacuum chamber		
	IG-515 (A-L) 1951-20th Sr.		x		VC-107 (A-L) 2000-10-20		1
4.0420	PLUNGER, Cap contact spring				VC-105 (A-L) 1951-2001-1A-11-21		1
	D-1882604 (Delco) 2000-10-20		x		X-1270 Washer #10 Shakeproof (A-L) 1951		2
	IG-514 (A-L) 1951-20th Sr.		x	4.0448	GASKET, Distributor vacuum chamber (1/32" thick)		
4.0425	SPRING, Cap				VC-14 (A-L) 1951		1
	IG-694 (A-L) 1951-20th Sr.		2	4.0449	SPRING, Distributor vacuum chamber		
4.0426	PIN, Cap hinge				VC-104 (Cadmium plate) (A-L) 1951		1
	X-1448 (A-L) 1951-20th Sr.		2	4.04495	BRACKET, Distributor vacuum control		
4.0427	CONDENSER ASSEMBLY, Distributor				IGP-57 (A-L) 1951		1
	IG-2671K (4.0307) (A-L) 1951		1	4.0450	WEIGHT ASSEMBLY, Distributor		
4.0430	SLEEVE, Drive				D-1863143 (Delco) 2000-10-20		1
	IGH-54 (A-L) 1951-20th Sr.		1		IG-2456 (A-L) 1951-20th Sr.		1
	SW-213 Rivet (A-L) 1951-20th Sr.		1	4.0451	WEIGHT SPRING SET, Distributor		
4.0431	SHAFT & GOVERNOR ASSEMBLY, Distributor drive				IG-829AS (A-L) 1951		1
	D-1882394 (Delco) 2000-10-20		1	4.0452	WEIGHT SPRING, Distributor		
	IGT-2020LC (A-L) 2000-10-20		1		D-822172 (Delco) 2000-10-20		1
	IGT-2020LB (A-L) 1951-2001-1A-11-21		1		IGB-293 (A-L) 1951-2001-1A-11-21		1
	IGT-2020L (A-L) 2003-3A-4-5-6-7-8-23-55		1		IGB-329 (A-L) 1951-2001-1A-11-21		1
4.0432	DRIVE SHAFT ASSEMBLY, Distributor				IGB-284 (A-L) 2003-3A-4-5-6-7-8-23-55		1
	IGT-1020LB (A-L) 2000-10-20		1	4.04521	SCREW, Distributor		
	IGT-1020L (A-L) 1951-2001-1A-3-3A-4-5-6-7-8-11-21-3-55		1		BX-302 #6-32 x 1/4 rnd. hd. (A-L) 1951		x
4.0433	EXTENSION, Drive shaft				BX-872 #10-32 x 1/4 fill. hd. (A-L) 1951		x
	IGH-53B (A-L) 1951-20th Sr.		1		BX-1546 #6-32 x 5/32 fill. hd. (A-L) 1951		x
					BX-59 #8-32 x 3/16 rnd. hd. (A-L) 1951		x
					BX-884 #8-32 x 3/16 fill. hd. (A-L) 1951		x
					BX-870 #10-32 x 5/16 fill. hd. (A-L) 1951		x
					BX-902 #10-32 x 5/16 fill. hd. (A-L) 1951		x
				4.04522	RIVET, Distributor		
					X-1201 .10 x 1/4 tubular (A-L) 1951		2

INDEX NO.	PART NO.	DESCRIPTION AND MODELS	PER CAR	INDEX NO.	PART NO.	DESCRIPTION AND MODELS	PER CAR
DISTRIBUTOR—Continued				ELECTROMATIC CLUTCH CONTROL—Continued			
4.04523		WASHER, Distributor plain		4.0560		SWITCH & BRACKET ASSEMBLY, Inst. board lockout	
	8X-350	#8 plain (A-L) 1951	1	377564	2000-1-3-6-10-11		1
4.04524		LOCKWASHER, Distributor		371031	2001A-3A-4-5-7-8-20-1-3-55		1
	X1012	#6 (A-L) 1951	1	7003	(50.100) Nut #10-32		1
	X-195	#8 (A-L) 1951	2	5198	Screw #10-32 x 5/8		1
	X-196	#10 (A-L) 1951	x	371406	Stud 2000-1-3-6-10-11		1
	X-1270	#10 Shakeproof (A-L) 1951	x	4.0561		CABLE & CONDUIT ASSEMBLY, Inst. board lockout	
	X-1274	#10 Shakeproof (A-L) 1951	1			switch	
4.04525		NUT, Distributor		377939	LHD Gray 2001A-3A-4-5-7-8-55		1
	8X-175	#10-32 hex. (A-L) 1951	1	378324	LHD Brown 2004-5-8-55		1
ELECTROMATIC CLUTCH CONTROL				371013	LHD Blue 2020-1-3		1
4.0540		SWITCH, Clutch control unit auxiliary		378325	LHD Brown 2020-1-3		1
	371872	1951	1	371015	LHD Green 2020-1-3		1
	377752	2000-1-3-6-10-11	1	371012	LHD Maroon 2020-1-3		1
	7658	(50.300) Screw #10 x 7/8	2	4.0562		NUT, Instrument board lockout switch cable &	
4.0542		ROD, Clutch control unit auxiliary switch				conduit assembly	
		operating		362084	2001A-3A-4-5-7-8-20-1-3-55		1
	373118	(Long) 1951	1	4.0563		GASKET, Instrument board lockout switch	
	367310	(Short) 1951	1			cable & conduit assembly nut	
	379478	2000-1-10-11	1	358458	2001A-3A-4-5-7-8-20-1-3-55		1
	379550	2003-6	1	4.0564		CABLE ASSEMBLY, Instrument board lockout	
	7191	(50.240) Cotter pin	2			switch (to relay)	
4.0550		GOVERNOR, Clutch control unit		371023	2001A-4-5-7-8-20-1-3-55		1
	367335	(Supersedes 377787) 1951-20th Sr.	1	4.0566		KNOB, Instrument lockout switch	
4.0551		BOOT, Clutch control unit governor				(Chrome) 2000-1-3-6-10-11	1
	354687	20th Sr.	1	▲ 379855	(Paint) 2000-1-3-6-10-11		1
4.05515		COVER AND SWITCH ASSEMBLY, Clutch control		371415	Screw		1
		unit governor		4.0569		SOLENOID, Transmission direct speed	
	373466	1951-20th Sr.	1			373721 1951-20 th Sr.	1
4.0552		LOCK PLATE, Clutch control unit governor		<i>Note:- For Spool, Housing, Gasket, etc. refer to Index Code 4.0596 thru 4.0599</i>			
	367120	1951-20th Sr.	1	4.0570		SOLENOID SWITCH, Transmission direct speed	
4.0553		PINION, Clutch control unit governor				367551 1951-20th Sr.	1
	347500	1951-20th Sr.	1			5806 (50.230) Lockwasher 7/16	1
4.0554		SLEEVE, Clutch control unit governor pinion				367567 Nut	1
	347650	1951-20th Sr.	1			367574 Washer	1
4.0555		SNAP RING, Clutch control unit governor pinion		4.0571		BOOT, Trans. direct speed solenoid switch	
	347532	1951-20th Sr.	1			367540 1951-20th Sr.	1
4.0556		RELAY, Clutch control unit		4.0572		BRACKET, Trans. direct speed solenoid switch	
	371169	1951	1			367273 1951-20th Sr.	1
	377793	20th Sr.	1			5504 (50.220) Lockwasher	1
	3870	Spacer	1			6087 (50.003) Screw 5/16-24 x 1	1
	7930	(50.300) Screw #12 x 3/4	2	4.0573		STUD, Transmission direct speed solenoid	
4.0557		FUSE, Clutch control unit relay to starter				switch bracket	
		motor cable				367541 1951-20th Sr.	1
	362461	1951-20th Sr.	1			304914 Washer 1/2	1
4.0558		CONTAINER ASSEMBLY, Clutch control unit relay		4.0574		SOLENOID SWITCH, Trans. first and reverse	
		to starter motor cable and fuse				367563 1951-20th Sr.	1
	364058	1951-2000-1-1A-3-6-10-11-20-1	1	4.0575		CHOKE VALVE & SOLENOID ASSEMBLY, Transmission	
	364059	2003A-4-5-7-8-23-55	1			second speed	
4.05585		SOLENOID, Clutch valve (low and reverse)				371158 1951-20th Sr.	1
	371185	1951-20th Sr.	1	4.0576		SOLENOID SWITCH, Transmission second speed	
<i>Note:- For Spacer and Gasket refer to Index Code 4.0594 and 4.0595</i>						367564 1951	1
4.05587		SWITCH, Instrument board lockout		4.05765		WIRING HARNESS, Electrical	
	373869	1951	1			373822 (Front) 1951	1
						378144 Front 2000-1-3-6-10-11	1
						378140 Front 2001A-3A-4-5-7-8-20-1-3-55	1
						373762 Rear 1951	1
						378147 Rear 2000-1-3-6-10-11	1

▲Used on Clipper Four Door Sedans built after Jan. 1, 1942 only. All other body types have chrome trim.



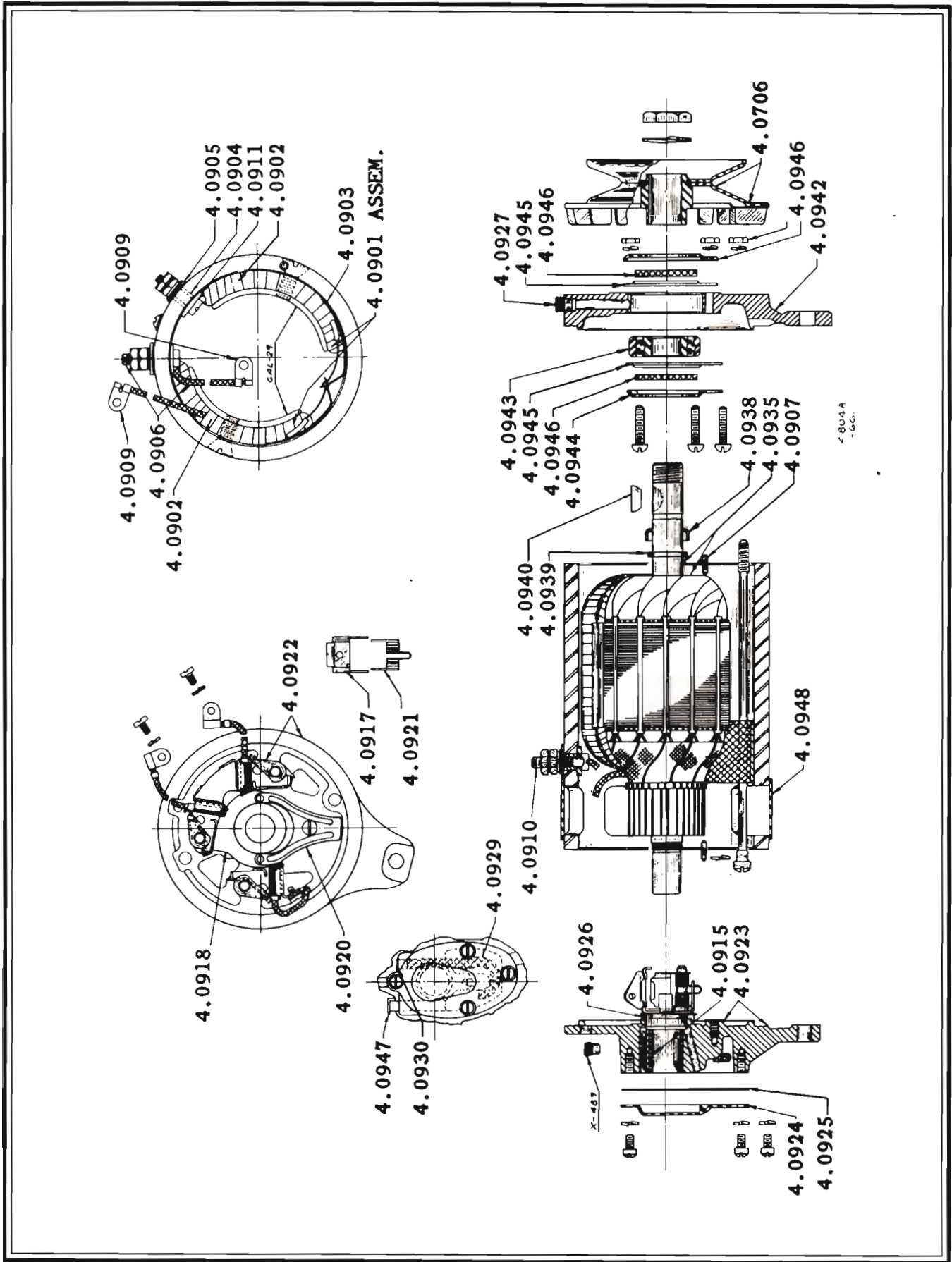
ELECTROMATIC CLUTCH VALVE

INDEX NO.	PART NO.	DESCRIPTION AND MODELS	PER CAR
ELECTROMATIC CLUTCH CONTROL—Continued			
4.05765		WIRING HARNESS, Electrical (Cont'd)	
	378141	Rear 2001A-3A-4-5-7-8-20-1-3-55	1
	373759	Clip (To acc. Brkt.) 1951-2000-1-3-6-10-11 ..	1
	371212	Clip (To dash) 2000-1-3-6-10-11	1
	351083	Clip (To dash) 1951-20th Sr.	2
	373608	Clip (To frame) 1951-20th Sr.	2
	371212	Clip (To trans.) 1951-20th Sr.	3
	373441	Clip (To valve support plate) 1951-20th Sr. .	1
4.05766		CONNECTOR, Cable	
	373668	1951-20th Sr.	x
	240668	1951-20th Sr.	x
	240669	1951-20th Sr.	x
4.05767		STRAP, Wiring harness	
	203905	(To transmission overdrive wiring harness assy.) 20th Sr.	2
	203905	(To brake tube) 2001A-3A-4-5-7-8-20-1-3-55 ..	1
	203905	(To speedometer cable) 2001A-20-1	3
4.05769		RUBBER, Wiring harness assy. dash cover	
	371600	20th Sr.	1
		<i>Note:- For Clutch Control Valve Assembly Refer To Index Code No. 3.150</i>	
		<i>Note:- The Following Part Numbers Are Bendix Numbers</i>	
4.0577		DIAPHRAGM, Valve	
	BK370992	1951-20th Sr.	1
4.0578		PLATE, Valve diaphragm	
	BK11103	1951-20th Sr.	2
4.0579		WASHER, Valve diaphragm plate	
	BK19439	1951-20th Sr.	2
		<i>Note:- For Valve Diaphragm Spring Refer To Index Code No. 3.157</i>	
4.0580		RETAINER, Valve diaphragm spring front	
	BK371288	1951-20th Sr.	1
4.0581		RETAINER, Valve diaphragm spring rear	
	BK371285	1951-20th Sr.	1
4.0582		SCREW, Valve diaphragm	
	177-S-68	1/4-28 x 7/16 1951-20th Sr.	1
	40-S-31	Lockwasher 1/4 Std. 1951-20th Sr.	1
4.0583		TUBE AND NUT ASSEMBLY, Valve diaphragm	
	BK372096	1951-20th Sr.	1
4.0584		PLUNGER AND ROD ASSEMBLY, Valve	
	BK370991	1951-20th Sr.	1
4.0585		PLUNGER, Valve	
	BK370995	1951-20th Sr.	1
4.0586		ROD, Valve plunger	
	BK371008	1951-20th Sr.	1
4.0587		PIN, Valve plunger rod	
	BK370994	1951-20th Sr.	1
4.0588		ROD END	
	BK371004	1951-20th Sr.	1
	BK371165	Check Nut #12-24 1951-20th Sr.	1
4.0589		SEAL AND RETAINER ASSEMBLY, Valve plunger rod	
	BK372095	1951-20th Sr.	1
4.0590		SLEEVE, Choke	
	BK371184	1951-20th Sr.	1

INDEX NO.	PART NO.	DESCRIPTION AND MODELS	PER CAR
ELECTROMATIC CLUTCH CONTROL—Continued			
4.0591		SPRING, Choke sleeve	
	BK371182	1951-20th Sr.	1
4.0592		SPRING, Click adjustment	
	BK371166	1951-20th Sr.	1
	40-S-47	Lockwasher #6	2
	61-S-12	Screw #6-32 x 3/16	2
4.0593		SEAL, Choke sleeve	
	BK371183	1951-20th Sr.	1
		<i>Note:- For Clutch Valve (Low and reverse) Solenoid Refer To Index Code 4.05585</i>	
4.0594		SPACER, Clutch valve (low and reverse) solenoid	
	BK371287	1951-20th Sr.	1
4.0595		GASKET, Clutch valve (low and reverse) solenoid spacer	
	BK371289	1951-20th Sr.	1
		<i>Note:- For Transmission Direct Speed Solenoid Refer To Index Code 4.0569</i>	
4.0596		SPOOL AND WINDING ASSEMBLY, Transmission direct speed solenoid	
	BK19287	1951-20th Sr.	1
4.0597		HOUSING AND TERMINAL ASSEMBLY, Transmission direct speed solenoid	
	BK19281	1951-20th Sr.	1
4.0598		GASKET, Solenoid housing	
	BK19288	1951-20th Sr.	1
4.0599		HOUSING	
	BK372103	1951-20th Sr.	1
	40-S-48	Lockwasher #8	7
	61-S-24	Screw #8-32 x 5/16	2
	61-S-29	Screw #8-32 x 3/4	5
4.05991		PLUNGER ASSEMBLY, Transmission direct speed solenoid valve	
	BK19293	1951-20th Sr.	1
	53-S-13	Screw #6-32 x 1/4	2
4.05992		DISC, Plunger valve	
	BK372217	1951-20th Sr.	1
GAUGES			
4.0600		GAUGE ASSEMBLY, Gasoline tank	
	373592	1951-2000-1-10-11	1
	358322	2001A-3A-4-5-7-8-21-3-30-55	1
	371135	2003-6	1
	358284	2020	1
	367795	Screw #10-32 x 1/2	5
	300426	Screw gasket	5
4.0601		GASKET, Gasoline tank gauge	
	303289	1951-20th Sr.	1
4.0602		BOOT, Gasoline tank gauge terminal	
	324621	1951-20th Sr.	1
4.0603		AMMETER, Instrument board	
	367508	(Beige) 1951	1
	379386	(Silver) 2000-1-10-11	1
	364812	(Silver) 2001A-3A-4-5-55	1
	379387	(Bronze) 2003-6	1
	364813	(Bronze) 2007-8-23	1
	364816	(Blue) 2020-1	1

INDEX NO.	PART NO.	DESCRIPTION AND MODELS	PER CAR	INDEX NO.	PART NO.	DESCRIPTION AND MODELS	PER CAR
GAUGES—Continued				GAUGES—Continued			
4.0603	AMMETER, Instrument board (Cont'd)			4.0628	GASKET, Instrument board oil & temperature gauge thermometer		
	379623 (Brown) 2020-1	1	239407	(To engine) 20th Sr.	1
	364815 (Green) 2020-1-30	1	GENERATOR			
	364814 (Maroon) 2020-1	1	4.07001	GENERATOR ASSEMBLY		
	5935 Lockwasher #10	2		364147 (Autolite #GDZ4801F) 1951-2000-1-1A-10-11-20-1	1
	7003 (50.100) Nut #10-32	2		362861 (Delco #1102682) 2000-10-20	1
4.0604	GAUGE, Instrument board ammeter and gas				351166 (Autolite #GEA4802A) 2003-3A-4-5-6-7-8-23-55	1
	367536 (Beige) 1951	1		367084 (Autolite #GEB0802C) 2030	1
4.0614	GAUGE, Instrument board gasoline			4.0701	STRAP, Adjusting		
	367498 (Beige) 1951	1		300219 1951-2000-1-1A-10-11-20-1	1
	379382 (Silver) 2000-1-10-11	1		341511 2003-3A-4-5-6-7-8-23-55	1
	364819 (Silver) 2001A-3A-4-5-55	1		341801 2030	1
	379383 (Bronze) 2003-6	1		5504 (50.220) Lockwasher 5/16	1
	364820 (Bronze) 2007-8-23	1		5506 (50.220) Lockwasher 3/8	1
	364824 (Blue) 2020-1	1		379062 Screw (To cylinder) 2000-1-1A-10-11-20-1	1
	379624 (Brown) 2020-1	1		6623 (50.003) Screw 3/8-16 x 1-1/2 (To cylinder)	1
	364822 (Green) 2020-1-30	1		2003-3A-4-5-6-7-8-23-55	1
	364821 (Maroon) 2020-1	1		300229 Screw 5/16-18 x 1-3/8 (To generator) 1951-2000-1-1A-10-11-20-1	1
	5861 (50.230) Lockwasher #8 Shakeproof	1		7285 (50.003) Screw 5/16-18 x 7/8 (To generator)	1
	5935 (50.230) Lockwasher	1		2003-3A-4-5-6-7-8-23-55	1
	7002 (50.100) Nut #8-32	1		3874 (50.200) Spacer (To cylinder) 2000-1-1A-10-11-20-1	1
	7003 (50.100) Nut #10-32	1		341512 Spacer (To cylinder) 2003-3A-4-5-6-7-8-23-55	1
4.06155	BULB, Instrument board gauge light				300221 Spacer (To generator) 1951-2000-1-1A-10-11-20-1	1
	225655 (Mazda #55) (Gauges-directional signal-Speedometer pointer) 1951-20th Sr.	x		6228 Washer 5/16	1
	223889 (Mazda #51) (Econo-drive and bright light indicator) 1951-20th Sr.	1	4.0702	BRACKET, Generator		
4.0616	CABLES AND SOCKETS ASSEMBLY, Instrument board gauge light				341169 1951-2000-1-1A-10-11-20-1	1
	371496 1951	1		341497 2003-3A-4-5-6-7-8-23-55	1
	378346 2000-1-3-6-10-11	1		5504 (50.220) Lockwasher 5/16	2
	362293 2001A-3A-4-5-7-8-20-1-3-55	1		7005 (50.100) Nut 5/16-24	2
	71397 (50.925) Terminal	1		6648 (50.003) Screw 5/16-18 x 7/8	2
	36111 (50.935) Insulator	1		7276 Screw 5/16-24 x 1-3/8 (Use only with Delco Equipment) (To generator) 2000-10-20	1
4.0617	SOCKET, Instrument board gauge light cable				6242 (50.003) Screw 5/16-24 x 1-1/8 (To generator)	2
	316150 1951-2001A-3A-4-5-7-8-20-1-3-55	2		2001-1A-3-3A-4-5-6-7-8-11-21-3-55	2
4.0618	CONTACT, Instrument board gauge light cable socket				3874 (50.200) Washer 5/16 1951-2000-1-3-6-10-11	1
	225262 1951-2001A-3A-4-5-7-8-20-1-3-55	2	4.07025	SPACER, Generator (to bracket)		
4.06204	SWITCH, Instrument board instrument cluster light				364154 (Delco) 2000-10-20	1
	371434 1951-2000-1-3-6-10-11	1	4.0703	REGULATOR, Current and voltage		
	371406 Stud	1		351127 (Auto-Lite #VRP-4002C) 1951-20th Sr.	1
4.06206	FUSE, Instrument board instrument cluster light switch				362858 (Delco 1118202) 2000-10-20	1
	302121 1951-20th Sr.	1		367085 (Auto-Lite #VRP-4002D) 2030	1
4.06208	KNOB, Instrument board instrument cluster light switch				7930 Screw #12 x 3/4 1951-2000-1-3-6-10-11	3
	373197 (Chrome) 1951-2000-1-3-6-10-11	1		6922 (50.300) Screw #14 x 3/4 2001A-3A-4-5-7-8-20-1-3-55	3
	379860 (Paint) 2000-1-3-6-10-11	1	4.0705	BRUSH SET, Generator		
	371414 Spring	1		341223 (A-L) (#GBW 2012AS) 1951-20th Sr.	1
	371415 Screw	1		GCE-2012-S (A-L) 2030	1
4.0621	GAUGE, Instrument board oil			4.0706	PULLEY, Generator		
	377429 (Beige) 1951	1		382505 (3-1/16 OD) 2000-1	1
	379384 (Silver) 2000-1-10-11	1		SP-1296 (A-L) 1951-2000-1-1A-10-11-20-21	1
	364826 (Silver) 2001A-3A-4-5-55	1		D-1882476 (Delco) 2000-10-20	1
	379385 (Bronze) 2003-6	1		SP-370 (A-L) 2003-3A-4-5-6-7-8-23-55	1
	364827 (Bronze) 2007-8-23	1		SP-408 (A-L) 2030	1
	379396 (Blue) 2020-1	1	4.0901	FIELD COIL ASSEMBLY, (Complete)		
	379395 (Brown) 2020-1	1		GDZ-1005 (A-L) 1951-2000-1-1A-10-11-20-21	1
	379397 (Green) 2020-1-30	1		GEA-1005 (A-L) 2003-3A-4-5-6-7-8-23-55	1
	379398 (Maroon) 2020-1	1		GEB-1005 (A-L) 2030	1
4.0622	SENDING UNIT, Instrument board oil gauge (cylinder)						
	341918 1951-20th Sr.	1				

INDEX NO.	PART NO.	DESCRIPTION AND MODELS	PER CAR	INDEX NO.	PART NO.	DESCRIPTION AND MODELS	PER CAR
GENERATOR—Continued				GENERATOR—Continued			
4.0902		FIELD COIL		4.0923		C.E. PLATE PART ASSEMBLY	
	GDZ-1008 (A-L) Right 1951-2000-1-1A-10-11-20-21	1		GDZ-1002A (A-L) 1951-2000-1-1A-10-11-20-1	1
	D-1877893 (Delco) Right 2000-10-20	1		D-1871804 (Delco) 2000-10-20	1
	GEA-1008 (A-L) Right 2003-3A-4-5-6-7-8-23-55	1		GEA-1002A (A-L) 2003-3A-4-5-6-7-8-23-55	1
	GEB-1008 (A-L) Right 2030	1		GCE-2002 (A-L) 2030	1
	GDZ-1007 (A-L) Left 1951-2000-1-1A-10-11-20-21	1	4.0924		C.E. CAP COVER	
	D-1878427 (Delco) Left 2000-10-20	1		GBW-1068B (A-L) 1951-20th Sr.	1
	GEA-1007 (A-L) Left 2003-3A-4-5-6-7-8-23-55	1		D-820524 (Delco) 2000-10-20	1
	GEB-1007 (A-L) Left 2030	1		GBJ-32A (A-L) 2030	1
4.0903		FIELD CONNECTION INSULATOR		4.0925		GASKET	
	GAL-44 (A-L) 1951-20th Sr.	1		GBW-69 (A-L) 1951-20th Sr.	1
4.0904		INSULATING BUSHING			D-817220 (Delco) 2000-10-20	1
	GCT-25 1951-20th Sr.	1		GBJ-25 (A-L) 2030	1
	GCY-25 (A-L) 1951-20th Sr.	1	4.0926		OIL GUARD	
	GDD-25 (A-L) 2030	2		GBW-72 (A-L) 1951-20th Sr.	1
4.0905		INSULATING WASHER			DA-39 (A-L) (Flat) 2030	1
	GBW-34 (A-L) 1951-20th Sr.	1	4.0929		OIL WICK	
4.0906		LEAD ASSEMBLY			GAR-73 (A-L) 1951-20th Sr.	
	GEA-30 (A-L) 1951-20th Sr.	1	4.0930		OIL WICK COVER	
4.0907		PIN, Dowel			GAR-98A (A-L) 1951-20th Sr.	1
	MN-21 (A-L) 1951-20th Sr.	2		8X-305 Screw #8-32 x 1/4 Rd. Hd.	x
	D-809062 (Delco) (C.E.) 2000-10-20	1		8X-888 Screw #8-32 x 5/16 Fill.hd.	x
	D-809593 (Delco) (D-E) 2000-10-20	1		X-195 Lockwasher #8	x
4.0908		POLE PIECE			12X-195	x
	GDZ-29 1951-20th Sr.	2	4.0935		ARMATURE ASSEMBLY	
4.09085		SCREW, Pole piece			GDZ-2006F (A-L) 1951-20th Sr.	1
	GK-38	2		D-1879002 (Delco) 2000-10-20	1
4.0909		TERMINAL			GEB-2006F (A-L) 2030	1
	X847 (A-L) 1951-20th Sr.	1		X-864 Lockwasher	1
4.0910		TERMINAL POST			GBM-21 Nut	1
	GBW-58 (A-L) (Field coil) 1951-20th Sr.	1	4.0938		FELT WASHER RETAINER	
	GEA-27 (A-L) (Lead assy.) 1951-20th Sr.	1		GR-32 (A-L) 1951-20th Sr.	1
	GED-27 (A-L) (Lead assy.) 2030	1		D-819104 (Delco) 2000-10-20	1
4.0911		TERMINAL POST INSULATION		4.0939		SNAP RING	
	GAA-32 (A-L) Top 1951-20th Sr.	1		GAR-171 (A-L) 1951-20th Sr.	1
	GEA-34 (A-L) Bottom 1951-20th Sr.	1	4.0940		WOODRUFF KEY	
	GBW-66 & 67 (A-L) Bottom 2030	1		X-260 (A-L) #5 1951-20th Sr.	1
4.0912		FRAME, Screw		4.0941		DRIVE END HEAD ASSEMBLY	
	GY-20	2		GDZ-1003 (A-L) 1951-2000-1-1A-10-11-20-1	1
	8X-321 Screw #10-32 x 5/16 rnd. hd. (Frame)	1		GEA-1004 (A-L) 2003-3A-4-5-6-7-8-23-55	1
	8X-349 Washer #10 Plain	1		GCE-1003 (A-L) 2030	1
	8X-361 Washer 1/4 Plain	2	4.0942		D.E. HEAD	
	12X-199 Lockwasher 1/4	2		GDZ-3 (A-L) 1951-2000-1-1A-10-11-20-21	1
	12X-193 Lockwasher #14	1		D-1871693 (Delco) 2000-10-20	1
	12X-196 Lockwasher #10	2		GEA-4 (A-L) 2003-3A-4-5-6-7-8-23-55	1
	8X-177 Nut #14-24 hex.	x		GCE-3 (A-L) 2030	1
	12X-1377 Nut #10-32 hex.	x	4.0943		BALL BEARING--SAE #203	
4.0915		ABSORBENT BRONZE BEARING			X-295 (A-L) 1951-20th Sr.	x
	GBF-79 (A-L) 1951-20th Sr.	1		D-903203 (Delco) 2000-10-20	1
	D-812823 (Delco) 2000-10-20	1	4.0944		BEARING RETAINER	
4.0917		BRUSH ARM			GAR-64 (A-L) 1951-20th Sr.	2
	G CJ-26 (A-L) 1951-20th Sr.	3		D-1855702 (Delco) 2000-10-20	1
	D-1878183 (Delco) 2000-10-20	2		GG-6 (A-L) 2030	1
	GCE-54 (A-L) 2030	2	4.0945		FELT GUARD	
4.0921		BRUSH SPRING			GAR-63 (A-L) 1951-20th Sr.	2
	GBW-45 (A-L) 1951-20th Sr.	3	4.0946		FELT WASHER	
	D-1878177 (Delco) (Main) 2000-10-20	1		GG-164 (A-L) 1951-20th Sr.	2
	GCE-53 (A-L) 2030	2		GAU-31 (A-L) 1951-20th Sr.	1
					GT-78 (A-L) 2030	1



MOTOR GENERATOR

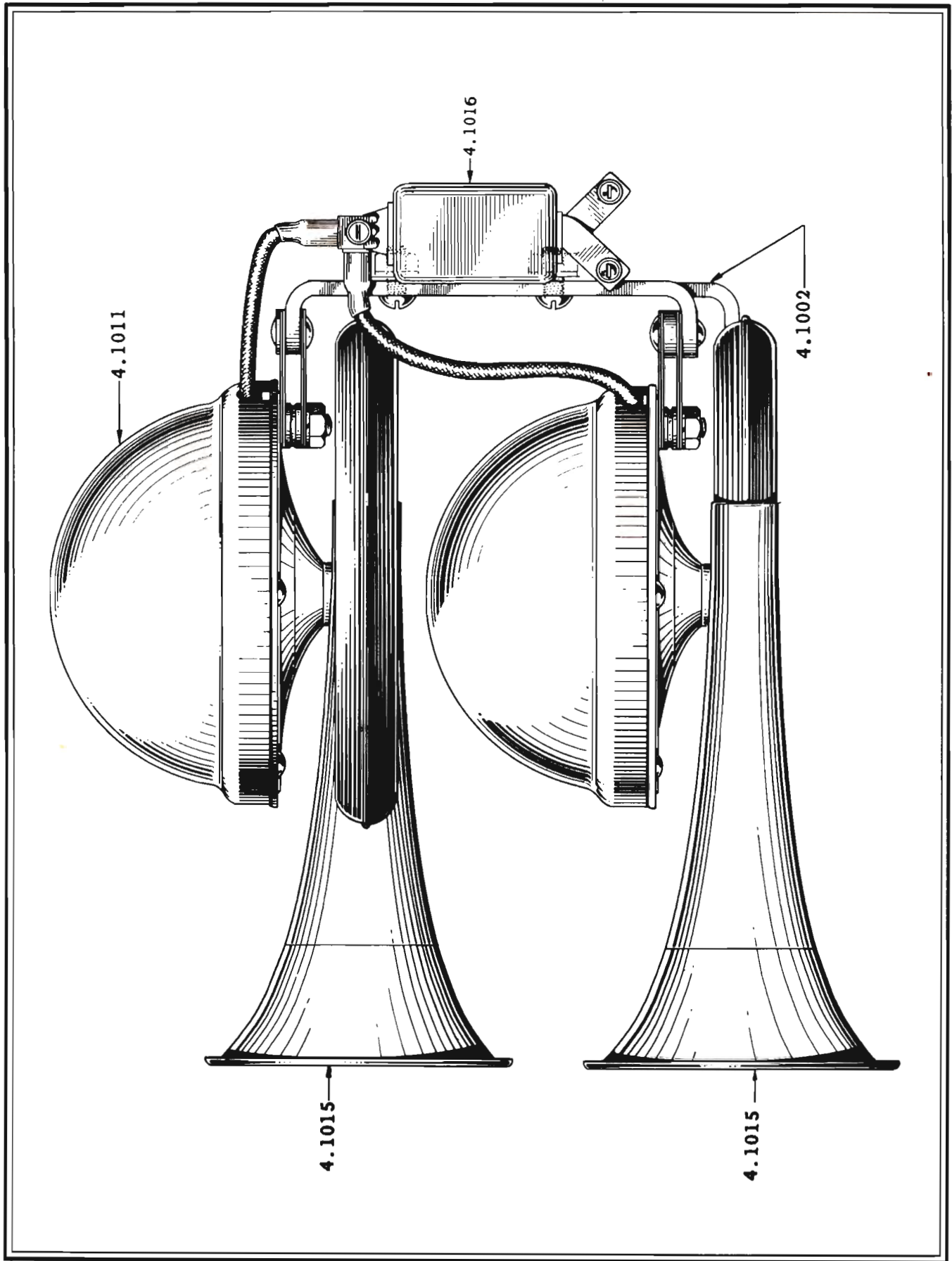
INDEX NO.	PART NO.	DESCRIPTION AND MODELS	PER CAR
GENERATOR—Continued			
4.09465	FELT WASHER RETAINER		
	GK-176 (A-L) 2030		1
	GT-76 (A-L) 2030		1
4.0947	OILER-PRESS IN TYPE		
	X-489 (A-L) 1951-20th Sr.		1
	D-113702 (Delco) (C-E) 2000-10-20		1
	D-125609 (Delco) (D-E) 2000-10-20		1
	8X-1003 Screw #10-32 x 7/8 rnd. hd.		3
	X-196 Lockwasher #10		3
	8X-173 Nut #10-32 hex.		3
4.0948	HEAD BAND ASSEMBLY		
	GBW-24C (A-L) 1951-20th Sr.		1
	D-816340 (Delco) 2000-10-20		1
	GCE-24 (A-L) 2030		1
	8X-715 Screw #10-32 x 1-1/4 rnd. hd.		1
	8X-794 Square #10-32		1
VOLTAGE REGULATOR (VIBRATOR TYPE) PARTS FOR AUTO-LITE REGULATOR VRP-4002C			
4.0959	CARBON RESISTOR		
	TC-51-X (Marked 38)		1
	TC-51-U (Marked 7)		1
4.0961	TERMINAL CLIP		
	VRP-50		4
	8X-321 Screw #10-32 x 5/16 rnd. hd.		x
	8X-1496 Screw #8-32 x 7/16 binding hd.		x
	8X-1503 Washer #8 plain		x
	X-196 Lockwasher #10 plain		x
	X-1275 Lockwasher #8 Shakeproof		2
HORN			
4.1000	HORN & BRACKET ASSEMBLY		
	373476 1951-2000-1-1A-10-11-20-1-2030		1
	377881 2003-6		1
	367905 2003A-4-5-7-8-23		1
	378205 2055		1
	7765 Screw 5/16-24 x 1-1/8 2003A-4-5-7-8-23-55 ..		3
	6359 Washer 5/16 2003A-4-5-7-8-23-55		3
4.1001	HORN ASSEMBLY		
	367786 (High Pitch) 1951-2000-1-1A-3-6-10-11-20-1 ..		1
	367785 (Low Pitch) 1951-2000-1-1A-3-6-10-11-20-1 ..		1
	367903 (High Pitch) 2003A-4-5-7-8-23		1
	367904 (Int. Pitch) 2003A-4-5-7-8-23		1
	364436 (Low Pitch) 2003A-4-5-7-8-23		1
	367910 (High Pitch) 2030		1
	367909 (Low Pitch) 2030		1
	378204 (High Pitch) 2055		1
	379207 (Low Pitch) 2055		1
	7251 (50.100) Nut 1/4-28 hex.		4
	5502 (50.220) Lockwasher 1/4		4
4.1002	BRACKET ASSEMBLY, Horn		
	373475 1951-2000-1-1A-3-6-10-11-20-1		1
	367920 2003A-4-5-7-8-23		1
	378219 2055		1
4.10024	GROMMET, Horn bracket (to dash)		
	327971 2003A-4-5-7-8-23-55		3
4.10025	INSULATOR, Horn bracket (to dash)		
	348792 (50.945) 2003A-4-5-7-8-23-55		3
4.10026	SPACER, Horn bracket (to dash)		
	367871 2003A-4-5-7-8-23-55		3
4.1005	DIAPHRAGM, Horn		
	338603 (High Pitch) 1951-20th Sr.		1
	338602 (Low Pitch) 1951-2000-1-1A-3-6-10-11-20-1-30.		1
	338603 (Int. Pitch) 2003A-4-5-7-8-23		1
	364975 (Low Pitch) 2003A-4-5-7-8-23-55		1

INDEX NO.	PART NO.	DESCRIPTION AND MODELS	PER CAR
HORN—Continued			
4.1006	GASKET, Horn diaphragm		
	338604 1951-2000-1-1A-3-6-10-11-20-1-55		2
4.1010	MOTOR ASSEMBLY, Horn		
	338598 (High Pitch) 1951-2000-1-1A-3-6-10-11-20-1-30-55		1
	338597 (Low Pitch) 1951-2000-1-1A-3-6-10-11-20-1-30-55		1
	364973 (High Pitch) 2003A-4-5-7-8-23		1
	364974 (Int. Pitch) 2003A-4-5-7-8-23		1
	364972 (Low Pitch) 2003A-4-5-7-8-23		1
4.1011	COVER, Horn motor		
	364978 1951-20th Sr.		x
4.1015	HOUSING AND BELL, Horn projector front		
	364976 (High Pitch) 2003A-4-5-7-8-23		1
	338600 (Low Pitch) 2003A-4-5-7-8-23		1
	338599 (Inter. Pitch) 2003A-4-5-7-8-23		1
4.1016	RELAY, Horn		
	364497 1951-2000-1-1A-3-6-10-11-20-1		1
	367915 2003A-4-5-7-8-23-55		1
	5502 Lockwasher 1/4		2
	7004 Nut 1/4-28		2
	7493 Screw 1/4-28 x 5/8		2
4.1021	HORN BUTTON AND EMBLEM, Steering wheel		
	356978 (Use with brown tenite fittings) 2000-1		1
4.1022	RING-BUTTON AND EMBLEM ASSEMBLY, Horn		
	362718 (Bronze) 1951		1
	373657 (Chrome) (Special) 2000-1		1
	▲379936 (Macoid) (Special) 2000-1		1
	362717 (Chrome) 2001A-3		1
	▲379925 (Macoid) 2003-6		1
	362719 2003A-4-5-23		1
	362719 (Chrome) 2006		1
	356990 2007-8-23		1
	373657 (Chrome) 2010-11-20-1-55		1
	▲379925 (Macoid) 2010-11		1
4.1024	HORN BUTTON CABLE ASSEMBLY, Steering wheel		
	373499 1951		1
	379063 2000-1-3-6-10-11		1
	356810 2001A-3A-4-5-7-8-20-1-3-55		1
4.1025	TERMINAL, Horn button cable		
	356809 (Upper) 1951-2001A-4-5-7-8-20-1-3-55		1
	366618 (Lower) 1951-20th Sr.		1
4.1026	INSULATOR, Horn button cable terminal		
	36111 Lower 1951-20th Sr.		1
	356806 1951-2001A-3A-4-5-7-8-20-1-3-55		1
4.1029	PLATE, Horn button contact		
	356886 1951-20th Sr.		1
	356765 Insulator		3
	3516 (50.220) Lockwasher #6		3
	5935 (50.230) Lockwasher #10		3
	7101 (50.004) Screw #6-32 x 3/8		3
	7103 (50.000) Screw #10-24 x 1/2		3
4.1031	EMBLEM, Horn button		
	362758 2000-1-20-1-55		1
	356882 (Clear plastic) 1951-2000-1		1
4.1034	SPRING, Steering wheel horn button retainer		
	356766 1951-20th Sr.		1
4.1037	RING, Horn		
	356930 (Chrome) (Special) 1951-2000-1		1
	▲379867 (Macoid) (Special) 2000-1		1
	356930 (Chrome) 2001A-3-3A-4-5-6-7-8-10-1-20-1-3-55.		1
	▲379867 (Macoid) 2003-6-10-11		1

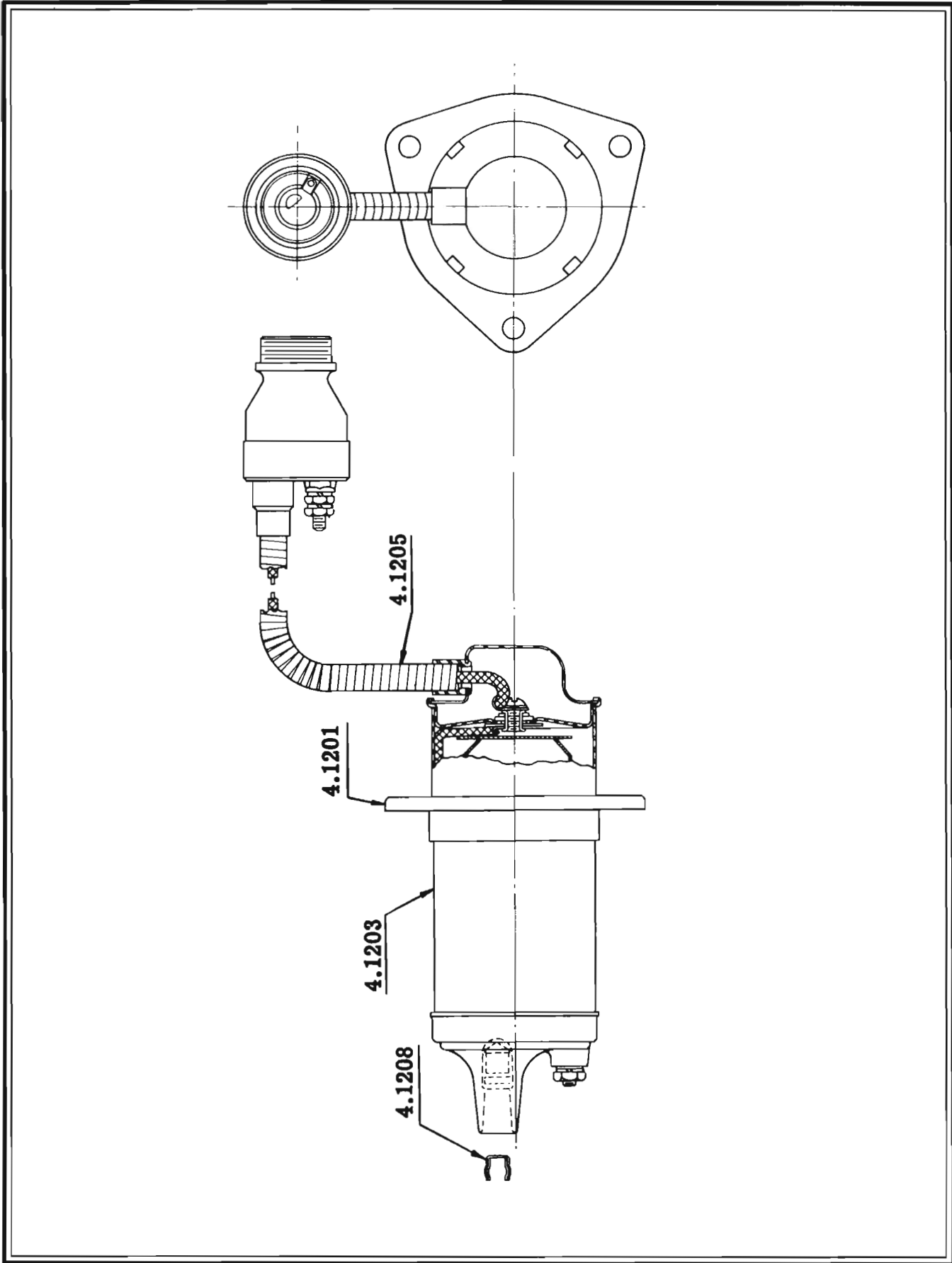
▲Used on Clipper Four Door Sedans built after Jan. 1, 1942 only. All other body types have chrome trim.

INDEX NO.	PART NO.	DESCRIPTION AND MODELS	PER CAR	INDEX NO.	PART NO.	DESCRIPTION AND MODELS	PER CAR
HORN—Continued				IGNITION CABLES—HIGH TENSION—Continued			
4.1038	EMBLEM, Horn ring			4.1109	SPACER, Spark plug cable		
	356905 (Silver) (Special) 2000-1	1		320783 (3 hole) 1951-2001-1A-3-3A-4-5-6-7-8-11-21-3-55	x
	356905 (Silver) 2001A-3-6-10-11	1		351027 (5 hole) 2003-3A-4-5-6-7-8-23-55	1
	362714 (Silver) 2003A-4-5-6-23	1	4.1110	TERMINAL, Spark plug cable		
	356880 (Bronze) 2007-8-23	1		303359 (Distributor end) 1951-20th Sr.	x
4.10384	PLATE, Horn ring emblem backing				317540 (Plug end) 1951-20th Sr.	x
	362643 (Silver) 2003A-4-5-6-23	1	4.1111	TUBE ASSEMBLY, Spark plug cable		
	356826 (Bronze) 2007-8-23	1		367667 2000-10-20	1
4.10385	RETAINER, Horn ring emblem				315047 1951-2001-1A-11-21	1
	356831 (Chrome) 1951-2001A-3-3A-4-5-6-7-8-23	1		367593 2003-3A-4-5-6-7-8-23-55	1
	▲379868 (Paint) 2003-6	1	4.11125	GASKET, Spark plug		
4.1039	PLATE, Horn ring contact				239407 1951-20th Sr.	x
	356804 1951-2001A-3-3A-4-5-6-7-8-20-1-3-55	1	4.1113	NUT, Spark plug		
4.10394	PIVOT, Horn ring				239453 1951-20th Sr.	x
	356768 (Special) 1951-2000-1	1	IGNITION COIL			
	356768 2001A-3-3A-4-5-6-7-8-10-1-20-1-3-55	1	4.1200	COIL & SWITCH ASSEMBLY		
4.10395	SPRING, Horn ring pivot				371354 LHD (Delco #1116326) 2000-10	1
	356769 (Special) 1951-2000-1	1		371353 LHD (A-L #CE 4659) 1951-2000-1-3-6-10-11	1
	356769 2001A-3-3A-4-5-6-7-8-10-1-20-1-3-55	1		367792 LHD (A-L #CE 4652) 2001A-20-1	1
4.10396	SPRING, Horn ring				367609 LHD (A-L #CE 4654) 2003A-4-5-7-8-23-55	1
	356896 1951-2001A-3-3A-4-5-6-7-8-20-1-3-55	1		367845 LHD (Delco #1116322) 2020	1
4.10397	RETAINER, Horn ring spring				367793 RHD (A-L #CE 4653) 2001A-20-1	1
	356766 1951-2001A-3-3A-4-5-6-7-8-20-1-3-55	1		358918 RHD 2003A-4-5-7-8-23-55	1
IGNITION CABLES—HIGH TENSION					367846 RHD (Delco) 2020	1
4.1100	CABLE SET, Electrical				5502 (50.220) Lockwasher 2000-1-3-6-10-11	3
	379573 2000-10	1		358442 Nut 1951-20th Sr.	1
	378402 1951-2001-11	1		6353 (50.000) Screw 1/4-20 x 3/8 rnd. hd. (To dash)	3
	379575 2001A-21	1		1951	3
	379572 2003-3A-5-6-7-8-23-55	1		7006 (50.100) Nut 3/8-24 LHD 2003A-4-5-7-8-23-55	1
	379574 2020	1		7477 (50.000) Screw 1/4-20 x 3/8 2000-1-3-6-10-11	3
4.11001	CABLE, (H.T.), Black (Bulk stock)				7082 (50.003) Screw 3/8-24 x 3/4 LHD 2003A-4-5-7-8-23-55	1
	207477 (50.900) 1951-20th Sr.	x		5506 (50.220) Washer 3/8 LHD 2003A-4-5-7-8-23-55	1
4.1102	CABLE ASSY., Ignition coil to distributor				5502 (50.220) Lockwasher 1/4 1951	3
	378364 (High & low tension) 2000-10	1	4.12003	CLAMP, Coil and switch assembly		
	373736 (High & low tension) 1951-2001-3-6-11	1		367777 2001A-20-1	2
	367924 2001A-21	1		7761 (50.003) Bolt 1/4-20 x 1	1
	367996 LHD 2003A-4-5-7-8-23-55	1		7304 (50.100) Nut 1/4-20	1
	367995 2020	1	4.1201	BRACKET ASSEMBLY, Ignition coil		
	303784 RHD 2003A-4-5-7-8-23-55	1		CE-2276S (A-L) 1951-20th Sr.	1
4.1105	SPARK PLUG, Ignition			4.1203	COIL AND CASE ASSEMBLY, Ignition		
	382647 (AC-106 10MM) 1951-20th Sr.	x		D-1115001 LHD (Delco) 2000-10	1
	341227 (AC #104) 20th Sr.	x		CE-3224US LHD (A-L) 1951-2000-1-1A-3-6-10-11-20-1	1
	373503 (Champion #Y-4A) 20th Sr.	x		CE-3224ABS LHD (A-L) 2003A-4-5-7-8-23-55	1
	382648 (Champion Y-610MM) 1951-20th Sr.	x		D-538-Z LHD (Delco) (Supersedes D-1115029) 2020	1
4.1106	CABLE ASSEMBLY, Spark plug			4.1205	SWITCH AND CABLE ASSEMBLY, Ignition coil		
	317537 #1 and #5 2000-10-20	2		382425 LHD (Auto-Lite) (Supersedes 367834) 1951-2000-1-3-6-10-11	1
	317534 #2 and #3 2000-10-20	2		373765 LHD (Delco) 2000-10	1
	317535 #4 2000-10-20	1		367833 LHD (Auto-Lite) 2001A-20-1	1
	351046 #6 2000-10-20	1		367843 LHD (Delco) 2020	1
	317537 #1 and #6 1951-2001-1A-11-21	2		367993 LHD (Auto-Lite) 2003A-4-5-7-8-23-55	1
	317534 #2 #4 and #5 1951-2001-1A-11-21	3		378805 RHD (Auto-Lite) 2000-1-10-11	1
	317532 #3 1951-2001-1A-11-21	1		378804 RHD (Delco) 2000-10	1
	351045 #7 1951-2001-1A-11-21	1		367834 RHD (Auto-Lite) 2001A-20-1	1
	351046 #8 1951-2001-1A-11-21	1		362289 RHD (Auto-Lite) 2003A-4-5-7-8-23-55	1
	351046 #1 2003-3A-4-5-6-7-8-23-55	1		367844 RHD (Delco) 2021	1
	317537 #2 2003-3A-4-5-6-7-8-23-55	1		6859 Screw #14 x 1/2 2001A-3A-4-5-7-8-55	1
	317534 #3 and #4 2003-3A-4-5-6-7-8-23-55	2	4.12055	CLIP, Coil and switch cable (to dash)		
	317535 #5 2003-3A-4-5-6-7-8-23-55	1		358899 RHD 2003A-4-5-7-8-23-55	1
	351045 #6 and #7 2003-3A-4-5-6-7-8-23-55	2		366619 Screw 1/4-20 x 1/2 2020-1-3	1
	367984 #8 2003-3A-4-5-6-7-8-23-55	1				
4.11075	INSULATOR, Spark plug cable (to distributor)						
	362119 1951-20th Sr.	x				

▲Used on Clipper Four Door Sedans built after Jan. 1, 1942 only. All other body types have chrome trim.



ELECTRICAL HORNS

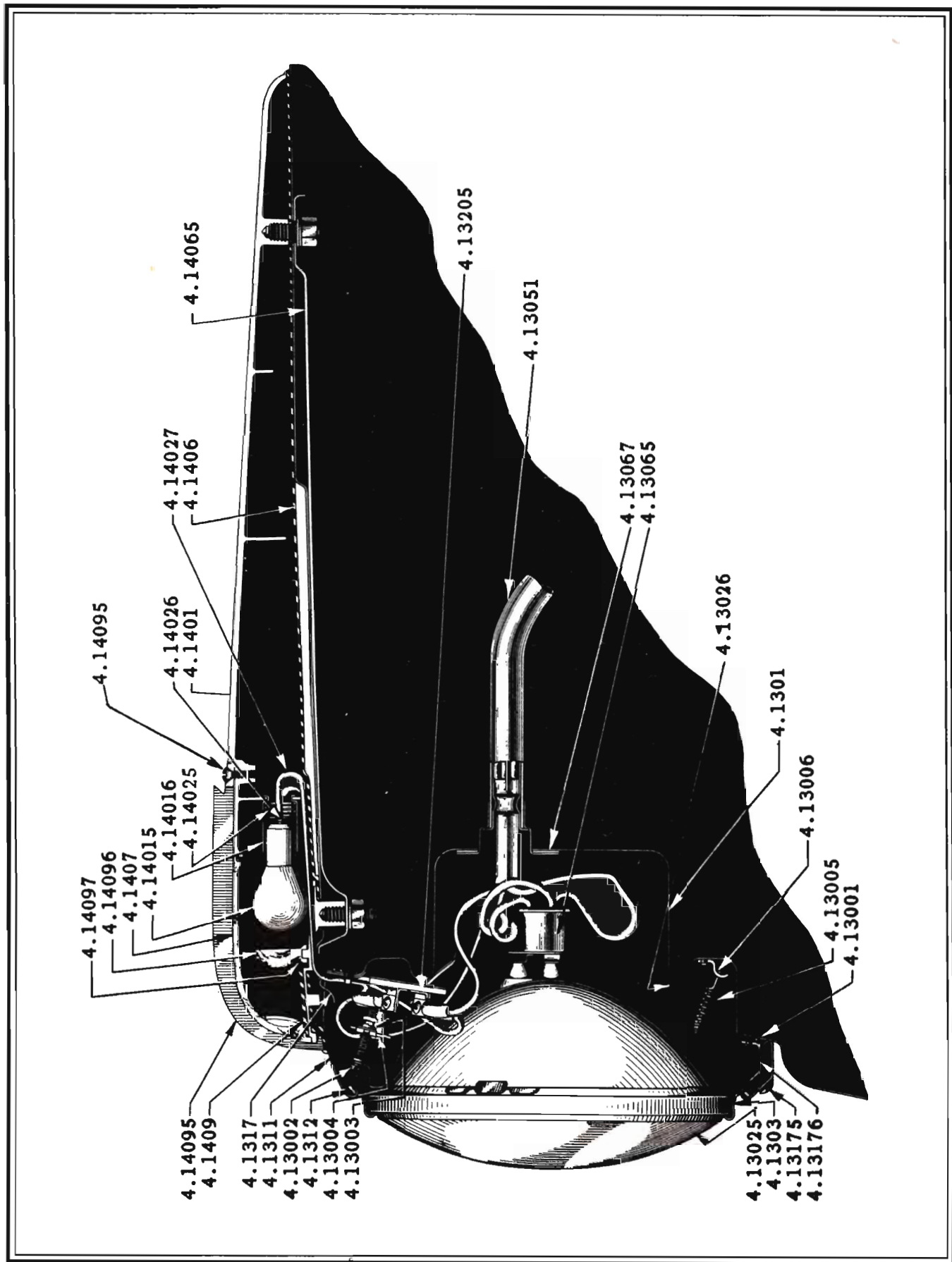


IGNITION COIL - CABLE AND SWITCH

INDEX NO.	PART NO.	DESCRIPTION AND MODELS	PER CAR	INDEX NO.	PART NO.	DESCRIPTION AND MODELS	PER CAR
IGNITION COIL—Continued				LAMP FRONT —Continued			
4.12056	CABLE ASSEMBLY, Ignition coil switch *371022 2001A-3A-4-5-7-8-20-1-3-55	1	4.13051	CABLES AND LOOM ASSEMBLY, Lamp front (Cont'd) 373608 (50.600) Clip (To fender support rail) 1951 . 373608 (50.600) Clip 7/16 (To cradle tie bar) 1951 .	2		
4.1206	CYLINDER, Coil switch lock (Blank - to be cut to fit key)	1	4.13065	CONNECTOR, Lamp front cable bulb 358161 2000-1-3-6-10-11	2		
219312	1951-20th Sr.	1	4.13067	GASKET, Lamp front cable loom retainer 358153 (Paper) RHD 2001A-3A-4-5-7-8-20-1-3	2		
4.1207	KEY, Ignition coil switch lock (Specify key number)	x	4.13069	JUNCTION BLOCK ASSEMBLY, Lamp front cable 351167 1951-20th Sr.	1		
148842	20th Sr.	x	5935	Lockwasher #10	5		
4.1208	TERMINAL, Ignition coil X-767 (A-L) 1951-20th Sr.	1	7003	Nut #10-32	5		
LAMP FRONT				4.1307	GROMMET, Lamp (front) cable splasher 373560 1951-2000-1-3-6-10-11	2	
4.1300	LAMP, Front assembly		1.1311	DOOR, Lamp (front) 371405 (Chrome) 1951-2000-1-3-6-10-11	2		
371476	Right 1951	1	*379948	(Prime) 2000-1-3-6-10-11	2		
378356	Right LHD (Chrome) 2000-1-3-6-10-11	1	367863	2001A-3A-4-5-7-8-30-1-3-55	2		
*379950	Right LHD (Prime) 2000-1-3-6-10-11	1	7084	(50.025) Screw #8-32 x 1/2 oval hd.	2		
358122	Right LHD 2001A-3A-4-5-7-8-20-1-3-55	1	4.1312	GASKET, Lamp (front) door 358078 2001A-3A-4-5-7-8-20-1-3-55	2		
371475	Left 1951	1	4.13175	SCREW, Lamp (front) door retaining 358029 (#8-32 x 3/8) 2001A-3A-4-5-7-8-20-1-3-55	2		
378355	Left LHD (Chrome) 2000-1-3-6-10-11	1	4.1328	SWITCH ASSEMBLY, Foot dimmer 335477 (Not used on RHD 2000-1-10-11) 1951-2000-1-1A-10-11-20-1	1		
*379949	Left LHD (Prime) 2000-1-3-6-10-11	1	303245	2003-3A-4-5-6-7-8-23-55	1		
358121	Left LHD 2001A-3A-4-5-7-8-20-1-3-55	1	362813	RHD (Supersedes 303245) 2000-1-10-11	1		
378399	Right RHD (Chrome) 2000-1-10-11	1	7477	LHD Screw 1/4-20 x 3/8	2		
*379952	Right RHD (Prime) 2000-1-10-11	1	7478	RHD Screw 1/4-20 x 1/2	2		
379432	Right RHD 2001A-3A-4-5-7-8-20-1-3-55	1	5502	Lockwasher 1/4 split	2		
378398	Left RHD (Chrome) 2000-1-10-11	1	4.1329	CAP, Foot dimmer switch 311729 1951-20th Sr.	1		
*379951	Left RHD (Prime) 2000-1-10-11	1	4.1330	SPACER, Foot dimmer switch toe board 338158 RHD 2003A-4-5-7-8-23-55	2		
379431	Left RHD 2001A-3A-4-5-7-8-20-1-3-55	1	4.1335	SWITCH ASSEMBLY, Instrument board lamp front 373752 1951-2000-1-3-6-10-11	1		
356938	Nut #10	x	348466	2001A-3A-4-5-7-8-20-1-3-55	1		
7119	(50.300) Screw #10-5/8	x	4.1337	KNOB ASSY., Instrument board lamp front switch 373194 (Chrome) 1951-2000-1-3-6-10-11	1		
4.13001	GASKET, Lamp front assembly (to fender)		*379858	(Paint) 2000-1-3-6-10-11	1		
371402	1951-2000-1-3-6-10-11	2	377462	(Gray) 2001A-3A-4-5-55	1		
356919	2001A-3A-4-5-7-8-20-1-3-55	2	367399	(Blue) 2020-1-3	1		
4.13002	SCREW, Lamp (front) adjusting 354914 1951-20th Sr.	2	377945	(Brown) 2020-1-3	1		
4.13003	NUT, Lamp (front) adjusting screw 364548 1951-20th Sr.	2	367401	(Green) 2020-1-3-30	1		
4.13005	SPRING, Lamp (front) adjusting 371562 1951-2000-1-3-6-10-11	2	367398	(Maroon) 2020-1-3	1		
4.1301	BODY, Lamp, (front)		377897	(Brown) 2007-8	1		
371924	1951-2000-1-3-6-10-11	2	4.13372	SCREW, Instrument board lamp front switch knob 371415 1951-2000-1-3-6-10-11	1		
358245	2001A-3A-4-5-7-8-20-1-3-55	2	4.13375	ROD, Instrument board lamp front switch knob 373753 1951-2000-1-3-6-10-11	1		
4.13025	BULB, Lamp (front)		4.13376	PLATE, Instrument board lamp front switch 364432 2001A-3A-4-5-7-8-20-1-3-55	1		
339528	LHD (Sealed beam) 1951-20th Sr.	2	4.133765	STUD, Instrument board lamp front switch 371406 1951-2000-1-3-6-10-11	1		
379433	RHD (Sealed beam) 20th Sr.	2	358797	2001A-3A-4-5-7-8-20-1-3-55	1		
4.13026	MOUNTING ASSEMBLY, Lamp (front)		LAMP FENDER				
371404	1951-2000-1-3-6-10-11	2	4.1400	LAMP (FENDER) ASSEMBLY 371473 1951	2		
354150	2001A-3A-4-5-7-8-20-1-3-55	2	*379906	(Prime) 2000-1-3-6-10-11	2		
4.1303	RETAINER, Lamp (front) bulb						
354145	(Chrome) 1951-20th Sr.	2					
*379947	(Polished zinc) 2000-1-3-6-10-11	2					
358145	Screw	2					
4.1304	SPRING, Lamp (front) bulb retainer						
354146	LHD 2001A-3A-4-5-7-8-20-1-3-55	2					
358164	RHD 2001A-3A-4-5-7-8-20-1-3-55	2					
4.13051	CABLES AND LOOM ASSEMBLY, Lamp front						
371778	Right (Includes fender lamp cable) 1951	1					
378354	LHD Right 2000-1-3-6-10-11	1					
362012	Right 2001A-3A-4-5-7-8-20-1-3-55	1					
371777	Left (Includes fender lamp cable) 1951	1					
378353	LHD Left 2000-1-3-6-10-11	1					
362011	Left 2001A-3A-4-5-7-8-20-1-3-1-55	1					
379549	RHD Right 2000-1-10-11	1					
371777	RHD Left 2000-1-10-11	1					
209171	Clip 2001A-3A-4-5-7-8-55	8					

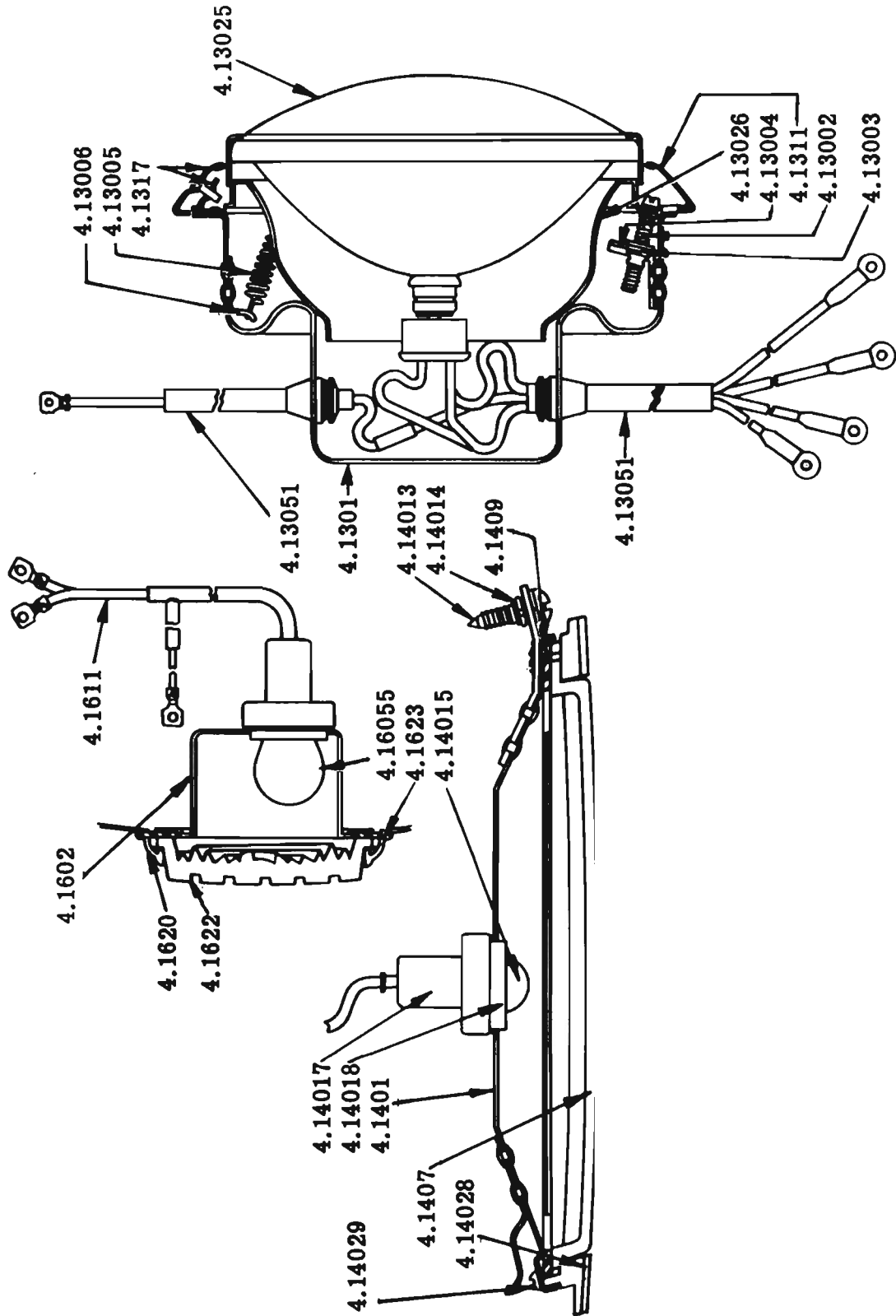
*Used with Electromatic Clutch.

*Used on Clipper Four Door Sedans built after Jan. 1, 1942 only. All other body types have chrome trim.



- 4.14097
- 4.14096
- 4.1407
- 4.14015
- 4.14016
- 4.14025
- 4.14095
- 4.14026
- 4.1401
- 4.14027
- 4.1406
- 4.14065
- 4.13005
- 4.13051
- 4.13067
- 4.13065
- 4.13026
- 4.1301
- 4.13006
- 4.13005
- 4.13001
- 4.14095
- 4.1409
- 4.1317
- 4.1311
- 4.13002
- 4.1312
- 4.13004
- 4.13003
- 4.13025
- 4.1303
- 4.13175
- 4.13176

LAMP FRONT



LAMPS, FRONT, FENDER AND REAR

INDEX NO.	PART NO.	DESCRIPTION AND MODELS	PER CAR	INDEX NO.	PART NO.	DESCRIPTION AND MODELS	PER CAR
LAMP FENDER—Continued				LAMP FRONT —Continued			
4.1400	LAMP (FENDER) ASSEMBLY (Cont'd)			4.14097	RETAINER, Lamp (fender) lens		
	378430 (Chrome) 2000-1-3-6-10-11		2	358324 (Inner) 2001A-3A-4-5-7-8-20-1-3-55			2
	358115 2001A-3A-4-5-7-8-20-1-3-55		2	LAMP READING (Instrument Board)			
	5385 (50.230) Lockwasher 5/16		4	4.1502	BULB, Instrument board reading light		
	7005 (50.100) Nut 5/16-24		4	225655 (Mazda #55 1-1/2 C.P.) 1951-20th Sr.....			1
	6359 (50.200) Washer plain 5/16		2	4.15024	SHIELD, Instrument board reading light bulb		
4.1401	BODY, Lamp (Fender)			364031 2001A-3A-4-5-7-8-20-1-3-55			1
	373060 1951		2	4.15025	SOCKET & CABLE ASSY., Instrument board reading light bulb		
	378586 2000-1-3-6-10-11		2	358707 2001A-3A-4-5-7-8-20-1-3-55			1
	358127 2001A-3A-4-5-7-8-20-1-3-55		2	4.1505	SOCKET, Instrument board reading light bulb		
4.14013	SCREW, Lamp fender body attaching			358706 2001A-3A-4-5-7-8-20-1-3-55			1
	371823 (Chrome) 1951-2000-1-3-6-10-11		2	4.15056	CLAMP, Instrument board reading light bulb socket		
	▲379905 (Prime) 2000-1-3-6-10-11		2	358696 2001A-3A-4-5-7-8-20-1-3-55			1
4.14014	RETAINING WIRE, Lamp fender body attaching screw			7650 (50.300) Screw #8 x 1/4 tapping			1
	371834 1951-2000-1-3-6-10-11		2	4.1506	CONTACT, Instrument board reading light cable socket		
4.14015	BULB, Lamp (fender)			225262 2001A-3A-4-5-7-8-20-1-3-55			1
	102590 (50.960) (6 Volt - Mazda #63) 1951		2	4.1507	SPRING, Instrument board reading light cable socket		
	354506 (6 Volt - Mazda #1154) 20th Sr.		2	225263 2001A-3A-4-5-7-8-55			1
4.14016	SOCKET, Lamp (fender) bulb			4.1509	SWITCH ASSY., Instrument board reading light		
	371843 1951		2	373598 1951-2000-1-3-6-10-11			1
	354511 2001A-3A-4-5-7-8-20-1-3-55		2	358445 2001A-3A-4-5-7-8-20-1-3-55			1
4.14017	SOCKET AND CABLE ASSY., Lamp fender bulb			371416 Nut 1951 2000 1 3 6 10 11			1
	371842 1951		2	362083 Stud 2001A-3A-4-5-7-8-20-1-3-55			1
	378591 2000-1-3-6-10-11		2	358458 Stud gasket			1
4.14018	LINER, Lamp fender bulb socket			4.1513	KNOB ASSY., Instrument board reading light switch		
	371841 1951-2000-1-3-6-10-11		2	371375 (Chrome) (Map light) 1951-2000-1-3-6-10-11 ..			1
4.14025	SPRING, Lamp (fender) bulb socket			▲379861 (Macoid) (Map light) 2000-1-3-6-10-11			1
	335853 2001A-3A-4-5-7-8-20-1-3-55		2	377459 (Gray) 2001A-3A-4-5-55			1
4.14026	WASHER, Lamp (fender) bulb socket			377958 (Brown) 2007-8			1
	333865 2001A-3A-4-5-7-8-20-1-3-55		2	364354 (Blue) 2020-1-3			1
4.14027	CABLE ASSEMBLY, Lamp (fender)			378277 (Brown) 2020-1-3			1
	358136 2001A-3A-4-5-7-8-20-1-3-55		2	364356 (Green) 2020-1-3-30			1
4.14028	DOOR, Lamp fender			364353 (Maroon) 2020-1-3			1
	371846 1951		2	LAMP REAR			
	378588 (Chrome) 2000-1-3-6-10-11		2	<i>Note:- For License Lamp Refer To Index Code 30.634 thru 30.6580</i>			
	▲379886 (Prime) 2000-1-3-6-10-11		2	4.1600	LAMP REAR ASSEMBLY		
4.14029	SCREW, Lamp fender door attaching			371570	Right (Chrome) 1951-2000-1		1
	371849 (Chrome) 1951-2000-1-3-6-10-11		8	▲379877	Right (Prime) 2000-1		1
	▲379884 (Paint) 2000-1-3-6-10-11		8	377655	Right (Chrome) (Directional signal type) 2000-1		1
4.1406	GASKET, Lamp (fender) (to fender)			▲379881	Right (Prime) (Directional signal type) 2000-1		1
	356975 2001A-3A-4-5-7-8-20-1-3-55		2	377655	Right (Chrome) 2003-6-10-11		1
4.14065	RETAINER, Lamp (fender) (to fender) gasket			▲379881	Right (Prime) 2003-6-10-11		1
	358018 2001A-3A-4-5-7-8-20-1-3-55		2	377528	Right LHD 2004-5-7-8		1
4.1407	GLASS, Lamp (fender)			377530	Right LHD (Not used on 2030) 2020-1-3		1
	371824 1951		2	362164	Right LHD 2055		1
	378587 2000-1-3-6-10-11		2	377528	Right LHD (Directional signal type) 2055		1
	358100 2001A-3A-4-5-7-8-20-1-3-55		2	371569	Left (Chrome) 1951-2000-1		1
4.1409	GASKET, Lamp (fender) glass			▲379876	Left (Prime) 2000-1		1
	371845 1951		2	377656	Left (Chrome) (Directional signal type) 2000-1		1
	378589 2000-1-3-6-10-11		2	▲379880	Left (Prime) (Directional signal type) 2000-1		1
	358001 2001A-3A-4-5-7-8-20-1-3-55		2	337656	Left (Chrome) 2003-6-10-11		1
4.14095	MOULDING, Lamp (fender) glass			▲379880	Left (Prime) 2003-6-10-11		1
	356918 2001A-3A-4-5-7-8-20-1-3-55		2				
	7084 (50.025) Screw #8/32 x 1/2		2				
4.14096	LENS, Lamp (fender)						
	358102 (Inner) 2001A-3A-4-5-7-8-20-1-3-55		2				

▲Used on Clipper Four Door Sedans built after Jan. 1, 1942 only. All other body types have chrome trim.

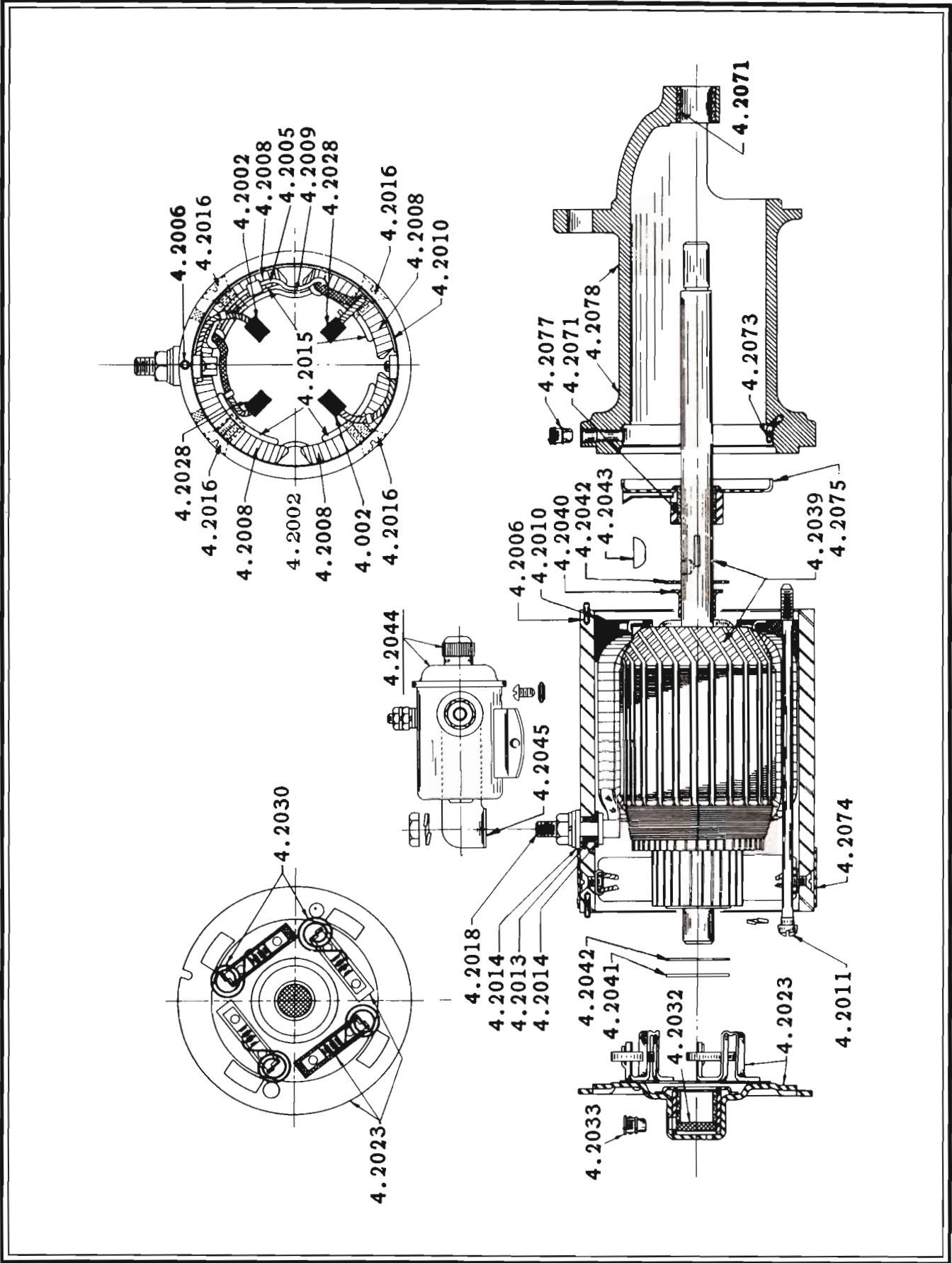
INDEX NO.	PART NO.	DESCRIPTION AND MODELS	PER CAR	INDEX NO.	PART NO.	DESCRIPTION AND MODELS	PER CAR
LAMP REAR—Continued				LAMP REAR—Continued			
4.1600	LAMP REAR ASSEMBLY (Cont'd)			4.1602	BODY, Lamp (rear) Cont'd)		
377527	Left LHD 2004-5-7-8	1	361671	Left 2008	1
377529	Left LHD (Not used on 2030) 2020-1-3	1	362610	Left LHD 2020-1-3	1
362163	Left LHD 2055	1	362386	Left LHD 2055	1
377527	Left LHD (Directional signal type) 2055	1	362609	Left LHD (Use with directional signal type lamp) 2055	1
362563	RHD Right 2004-5-7-8	1	362389	RHD Right 2020-1	1
362166	RHD Right 2020-1	1	362611	RHD Right 2023	1
362565	RHD Right 2023	1	362388	RHD Left 2020-1	1
362562	RHD Left 2004-5-7-8	1	362610	RHD Left 2023	1
362165	RHD Left 2020-1	1	379170	Nut 2003-6-10-11	4
5502	(50.220) Lockwasher 1/4 1951-2000-1-3-6-10-11	x	4.16025	BEAD, Lamp (rear) body		
5447	(50.230) Lockwasher 1/4 2004-5-7-8-20-1-3	..	4	362520	2004-5-7-8-20-1-3	2
7004	(50.100) Nut 1/4-28 1951-20th Sr.	x	362520	(Use with directional signal type lamp) 2055.	2
362390	Stud RHD 2020-1	4	4.16055	BULB, Lamp (rear)		
4.16005	BEAD, Lamp rear right assembly			354506	(50.960) (Mazda #1154, 6 Volt-21-3-C-P) 1951-20th Sr.	2
362536	Right 2004-5-7-8	1	327656	(50.960) (Mazda #1129, 6 Volt-21-C-P) (Not used on 2000-1-55 unless equipped with directional signal) 20th Sr.	2
362539	Right LHD 2020-1-3	1	4.1606	SUPPORT PLATE AND CABLE ASSY., Lamp (rear) bulb socket		
362536	Right LHD (Use with directional signal type lamp) 2055	1	362538	RHD Right 2023	1
362535	Left 2004-5-7-8	1	4.1608	SOCKET, Lamp (rear) bulb		
362540	Left LHD 2020-1-3	1	377559	Lower 2004-5-7-8-20-1-3	2
362535	Left LHD (Use with directional signal type lamp) 2055	1	362620	Upper 2004-5-7-8-20-1-3	2
362539	RHD Right 2023	1	377559	Lower (Use with directional signal type lamp) 2055	2
362540	RHD Left 2023	1	362620	Upper (Use with directional signal type lamp) 2055	2
362533	Clip 2004-5-7-8	2	354511	LHD 2055	2
362533	Clip (Use with directional signal type lamp).	2	377559	RHD Lower 2023	2
362533	Clip RHD 2023	2	362620	RHD Upper 2023	2
4.16006	BEAD, Lamp rear left assembly			4.16085	RUBBER BOOT, Lamp rear bulb socket (Use on directional signal type lamp) 2000-1-3-6-10-11	2
362537	Right 2004-5-7-8	1	4.1611	CABLE ASSEMBLY LAMP (rear)		
362538	Right LHD 2020-1-3	1	371916	Right 1951-2000-1	1
362537	Right LHD (Use with directional signal type lamp) 2055	1	379162	Right (Used on directional signal type lamp) 2000-1-3-6-10-11	1
362534	Left 2004-5-7-8	1	367950	Right 2004-5-7-8-20-1-3	1
362541	Left LHD 2020-1-3	1	367948	Right 2020-1-2055	1
362534	Left LHD (Use with directional signal type lamp) 2055	1	367950	Right (Use with directional signal type lamp) 2055	1
362538	Right RHD 2023	1	371741	Left 1951-2000-1	1
362541	Left RHD 2023	1	379161	Left (Used on directional signal type lamp) 2000-1-3-6-10-11	1
4.1601	GASKET, Lamp (rear) assembly			367949	Left 2004-5-7-8-20-1-3	1
371621	Right (To body) 1951-2000-1	1	367947	Left 2020-1-2055	1
371620	Left (To body) 1951-2000-1	1	367949	Left (Used with directional signal type lamp) 2055	1
378061	(To body) (Use with directional signal lamp) 2000-1-3-6-10-11	2	4.16135	CLIP, Lamp (rear) cable		
362272	(To body) 2004-5-7-8	2	372987	(Trunk drain gutter) 1951	3
362333	(To body) 2055	2	4.1620	DOOR, Lamp (rear)		
362272	(To body) (Use with directional signal type lamp) 2055	2	371580	(Chrome) Right 1951-2000-1	1
371233	LHD Right (To body) 2020-1-3	1	▲379879	(Prime) Right 2000-1	1
362349	LHD (To body) Left 2020-1-3	1	379056	(Chrome) Right (Used on directional signal type lamp) 2000-1-3-6-10-11	1
362334	RHD (To body) 2020-1	2	▲379883	(Prime) Right (Used on directional signal type lamp) 2000-1-6-10-11	1
371233	RHD Right (To body) 2023	1	371579	(Chrome) Left 1951-2000-1	1
362349	RHD Left (To body) 2023	1	▲379878	(Prime) Left 2000-1	1
4.1602	BODY, Lamp (rear)			379055	(Chrome) Left (Used on directional signal type lamp) 2000-1-3-6-10-11	1
371739	Right 1951-2000-1	1	▲379882	(Prime) Left (Used on directional signal type lamp) 2000-1-3-6-10-11	1
379209	Right (Used on directional signal type lamp) 2000-1-3-6-10-11	1				
362609	Right 2004-5-7-8	1				
362611	Right LHD 2020-1-3	1				
362387	Right LHD 2055	1				
362609	Right LHD (Use with directional signal type lamp) 2055	1				
371738	Left 1951-2000-1	1				
379208	Left (Used on directional signal type lamp) 2000-1-3-6-10-11	1				
362608	Left 2004-5-7-8	1				

▲Used on Clipper Four Door Sedans built after Jan. 1, 1942 only. All other body types have chrome trim.

INDEX NO.	PART NO.	DESCRIPTION AND MODELS	PER CAR	INDEX NO.	PART NO.	DESCRIPTION AND MODELS	PER CAR
LAMP REAR—Continued				LAMP REAR—Continued			
4.1620	DOOR,	Lamp (rear) (Cont'd)		4.16415	FUSE, Electrical lamp (rear)		
362398	2055	2	302121	2001A-3A-4-5-7-8-20-1-3	1
362398	RHD 2020-1	2	302121	LHD (Use with directional signal type lamp)	1
362400	Screw RHD 2020-1	2	2055	1
379166	Screw (Chrome) 2000-1-3-6-10-11	4	4.1642	FUSE CONTAINER & CABLE ASSEMBLY, Lamp (rear)		
379884	Screw (Prime) 2000-1-3-6-10-11	4	362875	2001A-3A-4-5-7-8-20-1-3	1
362400	Screw LHD 2055	2	362875	LHD (Use with directional signal type lamp)	1
373015	Stud 2000-1-3-6-10-11	1	2055	1
4.1622	GLASS, Lamp (rear) door			4.1646	SWITCH, Electrical stop light		
371615	Right 1951-2000-1	1	362862	1951-20th Sr.	1
379053	Right (Used on directional signal type lamp)	1	4.1650	SIGNAL AND LAMP ASSEMBLY, Lamp rear backing		
371614	Left 1951-2000-1	1	367012	2030	1
379052	Left (Used on directional signal type lamp)	1	7749	(50.003) Screw 3/8-24 x 3/4	1
362521	Lower (Not used on 2020-1 RHD) 2004-5-7-8	1	126770	(50.200) Washer	2
20-1-3	2	6902	(50.120) Locknut 3/8-24	2
377539	Upper (Not used on 2020-1-3 RHD) 2004-5-7	2	4.16505	GASKET, Lamp rear backing signal (to bumper stone shield)		
8-20-1-3	2	358458	2030	1
362402	LHD 2001A-3A-2055	2	4.1651	SWITCH ASSEMBLY, Lamp rear backing signal		
362521	Lower (Use with directional signal type lamp)	2	351362	2030	1
2055	1	351518	Nut 7/16-20	2
377539	Upper (Used with directional signal type lamp) 2055	1	4.1652	BRACKET, Lamp rear backing signal switch		
362570	Upper RHD 2004-5-7-8-23	2	351087	2030	1
362402	RHD 2020-1	2	4.1653	CABLE ASSEMBLY, Lamp rear backing signal switch (to head lamp switch)		
4.1623	GASKET, Lamp (rear) door glass			367013	2030	1
377641	1951-2000-1	2	33287	(50.925) Terminal	1
184876	(To door) (felt) (Used on directional signal type lamp) 2000-1-3-6-10-11	2	36111	(50.935) Insulator	1
379167	(To body) (Rubber) (Used on directional signal type lamp) 2000-1-3-6-10-11	2	4.1655	GASKET, Lamp (rear) signal bulb retainer		
362524	(To body bead) 2004-5-7-8-20-1-3	2	377536	2004-5-7-8-20-1-3	2
362571	(To retaining bead long) 2004-5-7-8-20-1-3	2	377536	LHD (Use with directional signal type lamp)	2
377552	(To retaining bead short) 2004-5-7-8-20-1-3	2	2055	2
362403	2055	2	LAMP—TELL TALE			
362524	LHD (to body bead) (Use with directional signal type lamp) 2055	2	4.166	TELL TALE LAMP ASSEMBLY, Instrument board		
362571	LHD (to ret. bead long) (Use with directional signal type lamp) 2055	2	369496	2030	1
377552	LHD (to ret. bead short) (Use with directional signal type lamp) 2055	2	4.1665	BULB, Tell tale lamp		
362399	RHD (Paper) 2020-1	2	102585	(Mazda #81) 2030	1
362403	RHD (Sponge rubber) 2020-1	2	4.167	SWITCH, Tell tale lamp		
377552	RHD (to ret. bead-short) 2023	2	342165	(door operated) 2030	2
362571	RHD (to ret. bead-long) 2023	2	7794	Screw #4 x 1/2	2
4.16245	BEAD, Lamp (rear) door glass retaining			SPEEDOMETER LIGHT			
362522	2004-5-7-8-20-1-3	2	4.1700	BULB, Instrument board speedometer light		
362522	RHD 2023	2	225655	(Mazda #55 -1-1/2 C.P.) 1951-20th Sr.	1
4.16246	YOKE, Lamp (rear) door glass & bead retaining			4.17007	SOCKET ASSEMBLY, Instrument board speedometer direction signal indicator light.		
362523	2004-5-7-8-20-1-3	2	377731	Right 20th Sr.	1
362523	LHD (Use with directional signal type lamp)	2	377730	Left 20th Sr.	1
2055	2	STARTER			
362523	RHD 2023	2	4.1800	MOTOR ASSEMBLY, Starter		
303420	Screw 2004-5-7-8-20-1-3-55	2	367829	(Autolite #MAW 4024) 1951	1
303420	Screw RHD 2023	2	378810	(Autolite #MAW 4027) 2000-1-1A-10-11-20-1	1
4.1625	SPRING, Lamp (rear) door retaining			362866	(Delco #1107037) (Solenoid has 1 small top terminal) 2000-10-20	1
362532	2004-5-7-8-20-1-3	2	378811	(Delco #1107056) (Solenoid has 2 small top terminals) 2000-10-20	1
362532	LHD (Use with directional signal type lamp)	2	378812	(Autolite #MAX 4052) 2003-3A-4-5-6-7-8-23-55	1
2055	2	5508	(50.220) Lockwasher 7/16 1951-2000-1-1A-10-20	2
362525	Rivet	2				
4.1629	JEWEL, Lamp (rear)						
362542	2004-5-7-8	2				
362542	LHD (Use with directional signal type lamp)	2				
2055	2				
362542	(Not used on RHD 2020-1) 2020-1-3	2				

INDEX NO.	PART NO.	DESCRIPTION AND MODELS	PER CAR
STARTER—Continued			
4.1800	MOTOR ASSEMBLY, Starter (Cont'd)		
	5510 (50.220) Lockwasher 1/2 2003-3A-4-5-6-7-8-23-55		2
	7246 (50.003) Screw 7/16-14 x 1-1/8 1951-2000-1-1A-10-11-20-1		2
	7879 (50.003) Screw 1/2-13 x 1-1/2 2003-3A-4-5-6-7-8-23-55		2
4.2002	BRUSH ASSEMBLY		
	D-813554 (Delco) 2000-10-20		x
	MAW - 13 (A-L) (grounded) 1951-20th Sr.		2
4.2003	BRUSH		
	D-811553 (Delco) 2000-10-20		x
	MAW - 12 (A-L) 1951-20th Sr.		2
4.2006	DOWEL PIN		
	D-809062 (Delco) (C.E.) 2000-10-20		x
	D-809593 (Delco) (D.E.) 2000-10-20		x
	MN - 21 (A-L) 1951-20th Sr.		2
4.2007	EQUALIZER		
	MAW - 59 (A-L) 1951-2000-1-1A-10-11-20-1		1
	MAX - 58 (A-L) 2003-3A-4-5-6-7-8-23-55		1
4.2008	COIL, Field		
	D-821522 (Delco) Right 2000-10-20		x
	MAW 1010A (A-L) Right 1951-2000-1-1A-10-11-20		1
	MAX 1008S (A-L) Right Lower 2003-3A-4-5-6-7-8-23-55		1
	MAX 1010D (A-L) Right Upper 2003-3A-4-5-6-7-8-23-55		1
	D-821523 (Delco) Left 2000-10-20		x
	MAW 1009A (A-L) Left 1951-2000-1-1A-10-11-20-1		1
	MAX 1009S (A-L) Left Lower 2003-3A-4-5-6-7-8-23-55		1
	MAX 1007D (A-L) Left Upper 2003-3A-4-5-6-7-8-23-55		1
4.2010	INSULATOR, Field connection		
	MAW - 51 1951		1
4.2011	FRAME SCREW		
	MW20A (A-L) 1951-2000-1-1A-10-11-20-1		2
4.2013	BUSHING, Insulating		
	MAB - 85 (A-L) 1951-2000-1-1A-10-11-20-1		1
	MAW - 37 (A-L) 2003-3A-4-5-6-7-8-23-55		1
4.2014	WASHER, Insulator		
	MAB-31 (A-L) 1951-2000-1-1A-10-11-20-1		1
	MAK-80 (A-L) 1951 2000-1-1A-10-11-20-1		1
	DK-45 (A-L) 2003-3A-4-5-6-7-8-23-55		1
	MAX-35 (A-L) 2003-3A-4-5-6-7-8-23-55		1
4.2015	POLE PIECE		
	D-810601 (Delco) 2000-10-20		x
	MAW-29 (A-L) 1951-20th Sr.		4
4.2016	POLE PIECE SCREW		
	D-1881869 (Delco) 2000-10-20		x
	GK-38 (A-L) 1951-20th Sr.		4
4.2018	TERMINAL POST		
	MAT-28 (A-L) 1951-2000-1-1A-10-11-20-1		1
	MAX-48 (A-L) 2003-3A-4-5-6-7-8-23-55		1
	8X-61 SCREW, Starter #10-32 x 7/16" flat hd. 1951-2000-1-1A-10-11-20-21		2
	MU-37 WASHER, plain 5/16" 1951-2000-1-1A-10-11-20-21		1
	X-199 LOCKWASHER 1/4" 1951-2000-1-1A-10-11-20-21		2
	X-1014 LOCKWASHER 5/16" 1951-2000-1-1A-10-11-20-21		1
	12X-1014 LOCKWASHER 5/16" 1951-2000-1-1A-10-11-20-21		1
	12X-196 LOCKWASHER #10 1951-2000-1-1A-10-11-20-21		1
	X-1270 LOCKWASHER #10 Shakeproof 1951-2000-1-1A-10-11-20-21		2
	8X-1376 NUT, Starter Hex. nut 5/16-24 1951-2000-1-1A-10-11-20-21		x

INDEX NO.	PART NO.	DESCRIPTION AND MODELS	PER CAR
STARTER—Continued			
4.2018	TERMINAL POST (Cont'd)		
	8X-832 NUT, Starter Hex. nut 5/16-24 1951-2000-1-1A-10-11-20-21		x
	8X-1372 NUT, Starter Hex.nut #10-32 1951-2000-1-1A-10-11-20-21		1
4.2023	COMMUTATOR END HEAD ASSEMBLY		
	D-813550 (Delco) 2000-10-20		x
	MAW-2002A (A-L) 1951-2000-1-1A-10-11-20-1		1
	MAX-3059 (A-L) 2003-3A-4-5-6-7-8-23-55		1
4.2030	SPRING, Brush		
	D-813521 (Delco) 2000-10-20		x
	MZ-19 (A-L) 1951-20th Sr.		4
4.2032	FELT PAD		
	MAD-110 (A-L) 1951-20th Sr.		1
4.2033	OILER		
	D-1880642 (Delco) (C-E) 2000-10-20		x
	X-390 (A-L) 1951-20th Sr.		1
4.2039	ARMATURE ASSEMBLY		
	D-1878077 (Delco) 2000-10-20		1
	MAW-2128 (A-L) 1951-2000-1-1A-10-11-20-1		1
	MAW-2069 (A-L) 2003-3A-4-5-6-7-8-23-55		1
4.2041	WASHER, Steel		
	MAK-61 (A-L) (5/8") 1951-20th Sr.		1
4.2042	THRUST WASHER		
	MU-54 (A-L) (1/32" thick) 1951-20th Sr.		2
4.2043	WOODRUFF KEY		
	D-124546 (Delco) 2000-10-20		x
	X-261 (A-L) No. 6 1951-2000-1-1A-10-11-20-1		1
4.2044	SWITCH, Solenoid starting		
	D-1452 (Delco) (Has 1 small top terminal) 2000-10-20		1
	D-1460 (Delco) (Has 2 small top terminals) 2000-10-20		1
	SS-4017 1951		1
	12X-196 Lockwasher #10 1951		1
	SS-4025 (A-L) 2000-1-1A-10-11-20-1		1
	SS-4205 (A-L) 2003-3A-4-5-6-7-8-23-55		1
4.2045	CONNECTOR		
	MAW-121R 1951		1
	MAW-66R (A-L) 2000-1-1A-10-11-20-1		1
	SS-132 (A-L) 2003-3A-4-5-6-7-8-23-55		1
4.2046	CORE ASSEMBLY, (Moving)		
	SS-1128 (A-L) 2003-3A-4-5-6-7-8-23-55		1
4.2047	CORE		
	SS-128 (A-L) 2003-3A-4-5-6-7-8-23-55		1
4.2048	LINK SCREW		
	SS-59 (A-L) 2003-3A-4-5-6-7-8-23-55		1
4.2049	SPRING		
	SS-61 (A-L) 2003-3A-4-5-6-7-8-23-55		1
4.2050	CLUTCH ASSEMBLY, Starter		
	MAX-3075 (A-L) 2003-3A-4-5-6-7-8-23-55		1
4.2051	SHAFT, Starter clutch		
	MAW-122 (A-L) 2003-3A-4-5-6-7-8-23-55		1
4.2052	GEAR, Starter clutch shaft		
	MAW-74 (A-L) 2003-3A-4-5-6-7-8-23-55		1
4.2053	COVER, Dust		
	MLA-42 (A-L) 2003-3A-4-5-6-7-8-23-55		1
4.2054	PLATE, Dust		
	MLA-38 (A-L) 2003-3A-4-5-6-7-8-23-55		1



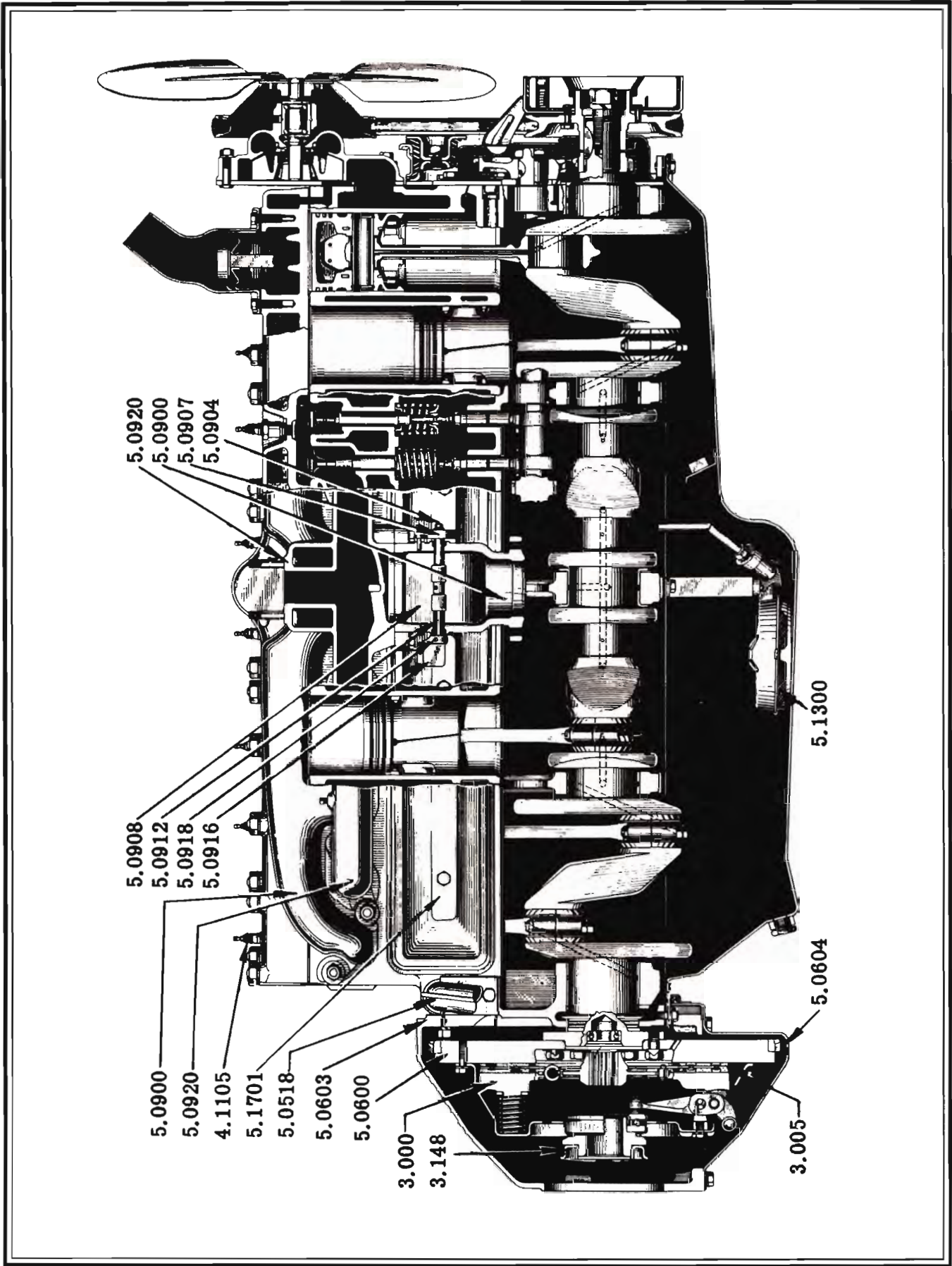
STARTER MOTOR

INDEX NO.	PART NO.	DESCRIPTION AND MODELS	PER CAR	INDEX NO.	PART NO.	DESCRIPTION AND MODELS	PER CAR
STARTER—Continued				STARTER—Continued			
4.2055	RETAINER, Felt MAW-71 (A-L) 2003-3A-4-5-6-7-8-23-55	1		4.2076	INTERMEDIATE PLATE ASSEMBLY MAX-1063 (A-L) 2003-3A-4-5-6-7-8-23-55	1	
4.2056	WASHER, Felt MAW-70 (A-L) 2003-3A-4-5-6-7-8-23-55	1		4.2077	OILER - PRESS IN TYPE 1/4 X-489 (A-L) 2003-3A-4-5-6-7-8-23-55	1	
4.2057	GASKET MAX-37 (A-L) 2003-3A-4-5-6-7-8-23-55	1		4.2078	PINION HOUSING ASSEMBLY D-1882370 (Delco) 2000-10-20 PS-1179 (A-L) 1951-2000-1-1A-10-11-20-1 PS-1167 (A-L) 2003-3A-4-5-6-7-8-23-55 MAW-131 Dowel pin (A-L) 2000-1-1A-10-11-20-1 MN-21 Dowel pin (A-L) 2003-3A-4-5-6-7-8-23-55	1	
4.2058	GUARD, Felt MAW-72 (A-L) 2003-3A-4-5-6-7-8-23-55	1		4.20781	PLUG, Pipe 1/8" 8X-865 (A-L) 2003-3A-4-5-6-7-8-23-55	1	
4.2059	LINK, Pin SS-56 (A-L) 2003-3A-4-5-6-7-8-9-23-55 SS-133 (A-L) 2003-3A-4-5-6-7-8-9-23-55	1		4.20782	THRUST WASHER MN-18 (A-L) 2003-3A-4-5-6-7-8-23-55	1	
4.2060	THRUST WASHER MAW-73 (A-L) 2003-3A-4-5-6-7-8-23-55	1		4.20785	PINION HOUSING ABSORBENT BRONZE BEARING MG-77A 1951-2000-1-1A-10-11-20-1 8X-715 Screw #10-32 x 1-1/4" rnd. hd. 8X-794 Nut Square #10-32	1	
4.2061	YOKE ASSEMBLY MLA-2037 (A-L) 2003-3A-4-5-6-7-8-23-55	1		STEERING DIRECTIONAL SIGNAL			
4.2062	BUSHING, Yoke pivot MAX-41 (A-L) 2003-3A-4-5-6-7-8-23-55 MAX-42 (A-L) 2003-3A-4-5-6-7-8-23-55	1		4.21075	SIGNAL EQUIPMENT, Steering directional 379557 2001A	1	
4.2063	SPRING, Yoke MLA-41 (A-L) 2003-3A-4-5-6-7-8-23-55	1		4.21080	RESISTOR, Steering directional signal 378991 20th Sr.	2	
4.2064	PIN, Yoke spring MLA-1035 (A-L) 2003-3A-4-5-6-7-8-23-55	1		4.21081	CAP AND CABLE ASSEMBLY, Steering directional signal resistor 379009 20th Sr.	2	
4.2065	WOODRUFF KEY X-261 (A-L) No. 6 2003-3A-4-5-6-7-8-23-55	1		4.210813	CONTAINER ASSEMBLY, Steering directional signal resistor 379032 Right 20th Sr. 379007 Left 20th Sr.	1	
4.2071	ABSORBENT BRONZE BEARING D-810620 (Delco) (D.E.) 2000-10-20 D-1838670 (Delco) (Center) 2000-10-20 MAW-130 (A-L) 1951-2000-1-1A-10-11-20-1 MG-77A (A-L) (Pinion housing) 2000-1-1A-10-11-20-1 MAW-77 (A-L) 2003-3A-4-5-6-7-8-23-55 MG-77A (A-L) (Intermediate plate) 2003-3A-4-5-6-7-8-23 MP-41A (A-L) (Pinion housing) 2003-3A-4-5-6-7-8-23	x x 1 1 1 1		4.21082	SWITCH AND CABLE ASSY., Steering direction signal (When ordering Clipper round shaft type please give vehicle number.) 378218 LHD (Has round shaft) 2000-1-3-6-10-11 379735 LHD 2001A-3A-4-5-7-8-20-1-3-55	1	
4.2072	BENDIX DRIVE ASSEMBLY D-1878079 (Delco) 2000-10-20 EBA-33 (A-L) 1951-2000-1-1A-10-11-20-1	x 1		4.21084	CONNECTOR, Steering direction signal switch cable 373368 (2 wire) LHD 20th Sr. 373372 (4 wire) LHD 20th Sr.	x 2	
4.2073	DOWEL PIN MAW-131 (A-L) 1951-2000-1-1A-10-11-20-1 MN-21 (A-L) 2003-3A-4-5-6-7-8-23-55	1 1		4.21086	FLASHER, Steering direction signal switch 362473 LHD 20th Sr. 5502 (50.220) Lockwasher 1/4 7304 (50.100) Nut 1/4 7129 (50.003) Screw 1/4-20 x 1/2 5937 (50.200) Washer 1/4	1 1 1 1 1	
4.20731	SPRING, Drive EBA-2105 (A-L) 1951-2000-1-1A-10-11-20-1	1		4.21088	FUSE, Steering direction signal switch 353362 LHD 20th Sr.	1	
4.20733	SPRING, Anti-drift EBA-1213 (A-L) 1951-2000-1-1A-10-11-20-1	1		4.21089	CABLE AND CAP ASSEMBLY, Steering direction signal switch fuse 377577 LHD 20th Sr.	1	
4.20734	SPRING, Meshing EBA-1225 (A-L) 1951-2000-1-1A-10-11-20-1	1		4.2109	CABLE AND CONTAINER ASSEMBLY, Steering direc- tion signal switch fuse 377578 20th Sr.	1	
4.20736	PINION ASSEMBLY EBA-1232 (A-L) 2000-1-1A-10-11-20-1	1		4.21092	LEVER ASSEMBLY, Steering direction signal switch 379596 (Brown) (Fits round shaft switch) 2000-1 382421 (Brown) (Fits "D" shaped shaft switch) 2000-1 379600 LHD (Gray) 2001A-3A-4-5-55 379598 LHD (Gray) (Fits round shaft switch) 2003-6	1 1 1 1	
4.20737	RING RETAINING EBA-1232 (A-L) 1951-2000-1-1A-10-11-20-1	1					
4.20737	RING RETAINING EBA-1233 (A-L) 1951-2000-1-1A-10-11-20-1	1					
4.2074	HEAD BAND ASSEMBLY D-817114 (Delco) 2000-10-20 MAW-1024E (A-L) 1951 MAB-1024M (A-L) 20th Sr.	1 1 1					
4.2075	INTERMEDIATE BEARING ASSEMBLY MAW-2129 (A-L) 1951-2000-1-1A-10-11-20-1	1					

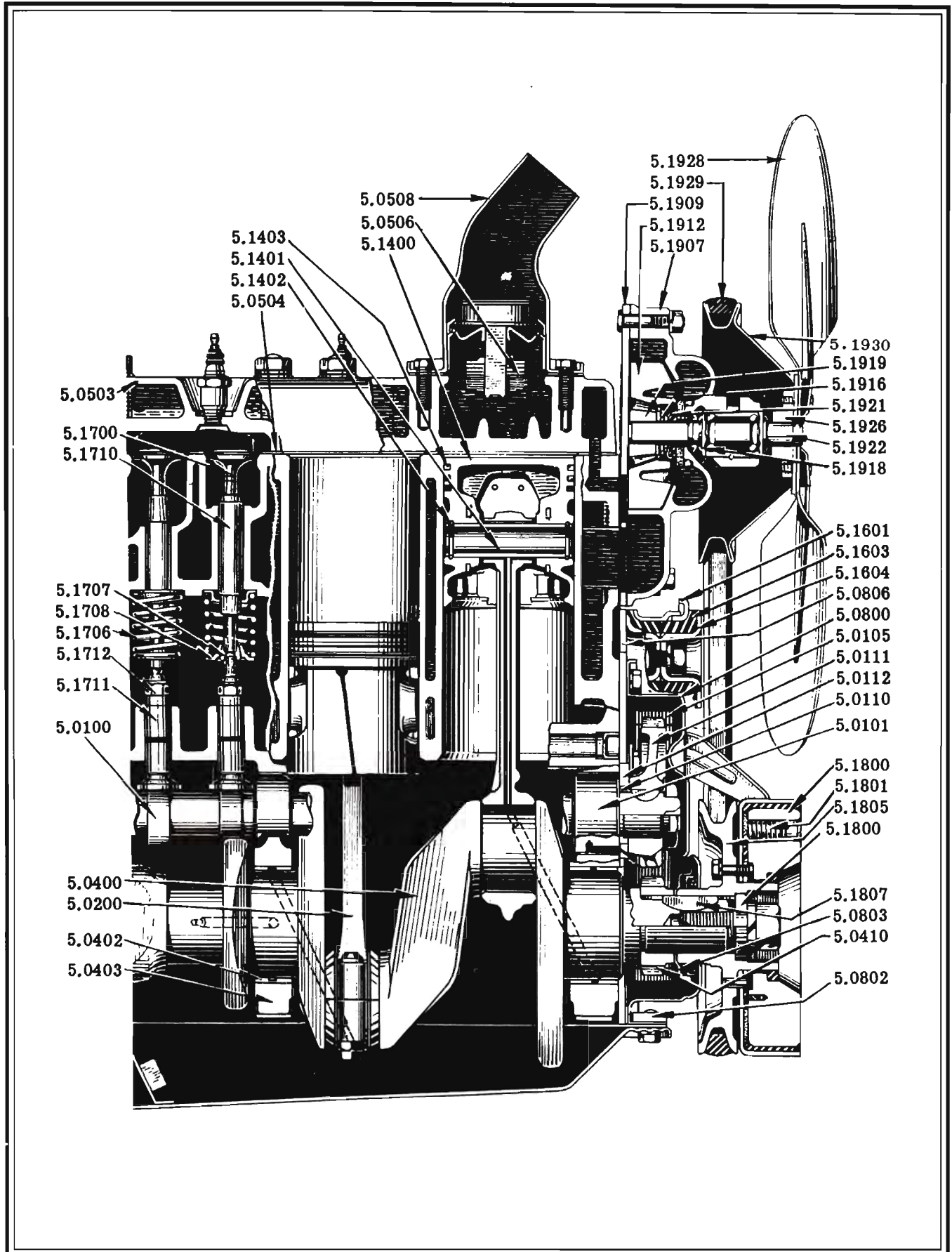
INDEX NO.	PART NO.	DESCRIPTION AND MODELS	PER CAR	INDEX NO.	PART NO.	DESCRIPTION AND MODELS	PER CAR
STEERING DIRECTIONAL SIGNAL—Continued				TRANSMISSION ECONO-DRIVE—Continued			
4.21092		LEVER ASSEMBLY, Steering direction signal switch (Cont'd)		4.22085		CLIP, Wiring harness assembly (auxiliary) (to frame)	
	382423	LHD (Gray) (Fits "D" shaped shaft switch) 2003-6	1	373608	LHD 1951-2000-1-3-6-10-11		2
	379601	LHD (Brown) 2007-8	1	209171	LHD 2001A-3A-4-5-7-8-20-21-23-55		2
	379597	LHD (Blue) (Fits round shaft switch) 2010-11	1	4.22086		CLIP, Electrical wiring harness assy., (auxiliary) (to E.D. trans. cover) screw	
	382422	LHD (Blue) (Fits "D" shaped shaft switch) 2010-11	1	371212	LHD 1951-2000-1-3-6-10-11		1
	379602	LHD (Blue) 2020-1-3	1	67277	LHD 2001A-3A-4-5-7-8-20-21-23-55		1
	379599	LHD (Brown) 2020-1-3	1	4.2209		STRAP, Wiring harness assembly	
	379603	LHD (Green) 2020-1-3	1	203905	2001A-3A-4-5-7-8-20-21-23-55		x
	379604	LHD (Maroon) 2020-1-3	1	4.22091		GUARD, Frame transmission E.D. solenoid	
	378035	Nut	1	347631	LHD 1951 2001A-3A-4-5-7-8-20-1-3-55		1
4.21094		PIN, Steering direction signal switch shut-off		229302	LHD Screw 1/4-20 x 1/2		3
	377356	20th Sr.	2	4.22105		BULB, Instrument board panel E.D. indicator light	
4.21096		HARNES ASSY., Steering direction signal wiring		225655	(Mazda #55) 1951-20th Sr.		1
	378841	Front 2000-1-10-11	1	4.2216		RELAY ASSEMBLY, Transmission E.D. accelerator solenoid switch	
TRANSMISSION ECONO DRIVE					347493	(6 volt) 1951-20th Sr.	1
<i>Note:- For Transmission and Econo Drive Assemblies and details refer to Index Code 3.400 through 3.488</i>					6756	(50.300) Screw No. 10 x 5/8	2
4.2200		SWITCH, Accelerator solenoid		4.2223		SWITCH, Transmission E.D. lockout	
	347496	1951-20th Sr.	1	354820	1951-20th Sr.		1
	6674	(50.230) Lockwasher 9/16	1	4.2224		LOCK, Transmission E.D. lockout switch	
	335409	Nut	1	347642	1951-20th Sr.		1
	7003	(50.100) Nut #10-32 1951-20th Sr.	1	4.2228		SOLENOID ASSEMBLY, Transmission E.D. unit (See 3.441 for governor assembly)	
	333723	Screw 1951-20th Sr.	1	347490	1951-20th Sr.		1
4.2201		BRACKET, Accelerator solenoid switch		5385	Lockwasher 5/16		2
	335894	RHD 2001A-3A-4-5-7-8-20-1-3-55	1	338651	Screw 5/16 - 18 x 1 - 1/8"		2
	5504	(50.220) Lockwasher 5/16	1	4.2229		BASE, Transmission E.D. unit solenoid	
	7005	(50.100) Nut 5/16-24	1	347488	1951-20th Sr.		1
	5575	(50.003) Screw 5/16-24 x 7/8	1	4.2230		GASKET, Transmission E.D. unit solenoid base	
4.2203		CABLE AND FUSE CONTAINER ASSEMBLY, E.D. relay (to starter motor)		347492	1951-20th Sr.		x
	364058	1951-2000-1-1A-10-11-20-1	1	4.2231		SEAL, Transmission E.D. unit solenoid base plunger	
	364059	2003-3A-4-5-6-7-8-23-55	1	333833	1951-20th Sr.		1
4.22035		FUSE, E.D. relay (to starter motor) cable		1.2233		GASKET, Transmission E.D. unit solenoid	
	362461	1951-20th Sr.	1	333788	1951-20th Sr.		1
4.22036		CONTAINER, Elec. E.D. fuse		WIRING CABLES AND HARNESS (L. T.)			
	362545	1951	1	4.23001		CONNECTOR, Cable	
4.22037		SPRING, Elec. E.D. fuse		373368	(2 Wire) 1951-2000-1-3-6-10-11		x
	362346	1951	x	240668	(50.910) (2 Wire) 2001A-3A-4-5-7-8-20-1-3-55		1
4.22038		SEAT, Elec. E.D. fuse spring		240669	(50.910) (3 Wire) 2001A-3A-4-5-7-8-20-1-3-55		2
	362345	1951	x	4.23005		GROUND STRAP, Engine (to frame)	
4.2208		HARNES ASSEMBLY, Electrical wiring		333608	2001A-3A-4-5-7-8-20-1-3-55		1
	373507	(Front) 1951	1	3874	(50.200) Washer 5/16 plain		1
	378621	LHD Front 2000-1-10-11	1	3877	(50.200) Washer 3/8 plain		1
	378613	LHD Front 2001A-21	1	4.2320		HARNES ASSEMBLY, Electrical wiring (For Econo Drive equipped cars see 4.2208--for Electro-matic Clutch equipped cars see 4.05765)	
	378623	LHD Front 2003-6	1	373505	(Front) 1951		1
	378614	LHD Front 2003A-4-5-7-8-23-55	1	378616	LHD Front 2000-1-10-11		1
	378612	LHD Front 2020	1	378607	LHD Front 2001A-21		1
	373484	(Auxiliary) 1951	1	378618	LHD Front 2003-6		1
	351472	LHD (Auxiliary) (To transmission) 2001A-3A-4-5-7-8-20-21-23-55	1	378608	LHD Front 2003A-4-5-7-8-23-55		1
	379364	RHD (Auxiliary) (To transmission) 2000-1-10-11	1	378606	Front 2020		1
	379305	RHD (Auxiliary) 2000-1-10-11	1	378563	Rear 2001A-3A		1
	351978	RHD (Auxiliary) (To transmission) 2001A-3A-4-5-7-8-20-21-23-55	1	378565	Rear 2004-7		1
	378615	RHD (Auxiliary) 2001A-3A-4-5-7-8-20-1-3-55 ..	1	378564	Rear (Supersedes 351290) 2005-8		1
				378605	Rear 2020-1-3		1

INDEX NO.	PART NO.	DESCRIPTION AND MODELS	PER CAR	INDEX NO.	PART NO.	DESCRIPTION AND MODELS	PER CAR
WIRING CABLES AND HARNESS (L. T.)—Continued							
4.2320		HARNESS ASSEMBLY, Electrical wiring (For Econo Drive equipped cars see 4.2208--for Electro-matic Clutch equipped cars see 4.05765) (Cont'd)					
	378565	Rear 2030	1				
	379304	RHD Front 2000-1-10-11	1				
	378610	RHD Front 2001A-21	1				
	378611	RHD Front 2003A-4-5-7-8-23-55	1				
	378609	RHD Front 2020	1				
4.2321		CLIP, Electrical wiring harness assembly					
	351084	(To dash) 1951	2				
	371212	(To accelerator bracket) 1951	1				
	228539	(Gasoline tank gauge to frame) 1951	1				
	209611	(To fender support rail) 1951	2				
	209171	(To frame) 1951	2				
4.2322		CLIP, Wiring harness assembly (to fender splasher)					
	209611	(Front left) 2001A-3A-4-5-7-8-20-1-3-55	x				
4.2324		CLIP, Wiring harness assy. (to frame)					
	209611	Front LHD 2001A-3A-4-5-7-8-20-1-3-55	1				
	320294	Side 2001A-3A-4-5-7-8-20-1-3-55	3				
4.23245		COVER ASSEMBLY, Wiring harness assembly					
	371599	1951-20th Sr.....	1				
	5984	(50.300) Screw #6 x 3/8 tapping	3				
4.2325		GROMMET, Wiring harness (to dash)					
	362105	2001A-3A-4-5-7-8-20-1-3-55	1				
4.2326		INSULATOR, Wiring harness battery					
	316177	2001A-3A-4-5-7-8-1-3-55	1				
4.23265		SEAL, Electrical wiring harness dash					
	373707	(Rubber) (to dash) 1951	1				
4.23275		STRAP, Wiring harness					
	203905	Front (to brake tube) 1951-2001A-3A-4-5-7-8-20-1-3-55	1				
	203905	Front (Horn cables) (To speedometer cable) 2003A-4-5-7-8-23-55	3				
	146955	(Oil guage cable to oil tube) 1951	2				
4.23276		CLIP, Wiring harness generator cable to front fender splasher					
	207079	2001A-3A-4-5-7-8-20-1-3-55	2				
4.23315		STRAP, Wiring harness starter motor cables to coil cable					
	203905	2003A-4-5-7-8-23-55	1				
4.2332		STRAP, Wiring harness (stoplight cables) to breather pipe					
	337555	RHD 2003A-4-5-7-8-23-55	1				
4.2333		GROMMET, Instrument board cables dash					
	371419	1951-2000-1-3-6-10-11.....	1				
	362113	2001A-3A-4-5-7-8-2020-1-3-55	1				
4.2334		RETAINER, Instrument board cables dash grommet					
	373246	1951-2000-1-3-6-10-11.....	1				
	324671	2001A-3A-4-5-7-8-2020-21-23-55	1				
	5984	Screw #6 x 3/8 2000-1-3-6-10-11	2				
	366619	Screw 1/4-20 x 1/2 tapping 2001A-3A-4-5-7-8-2020-21-23-55	2				
4.2340		CABLE ASSEMBLY, Ignition coil to distributor (low tension)					
	378364	(High and low tension) 2000-10	1				
	373736	(High and low tension) 1951-2001-3-6-11	1				
	367925	2001A-21	1				
	367988	LHD 2003A-4-5-7-8-23-55	1				
	367987	2020	1				
	303785	RHD 2003A-4-5-7-8-23-55	1				

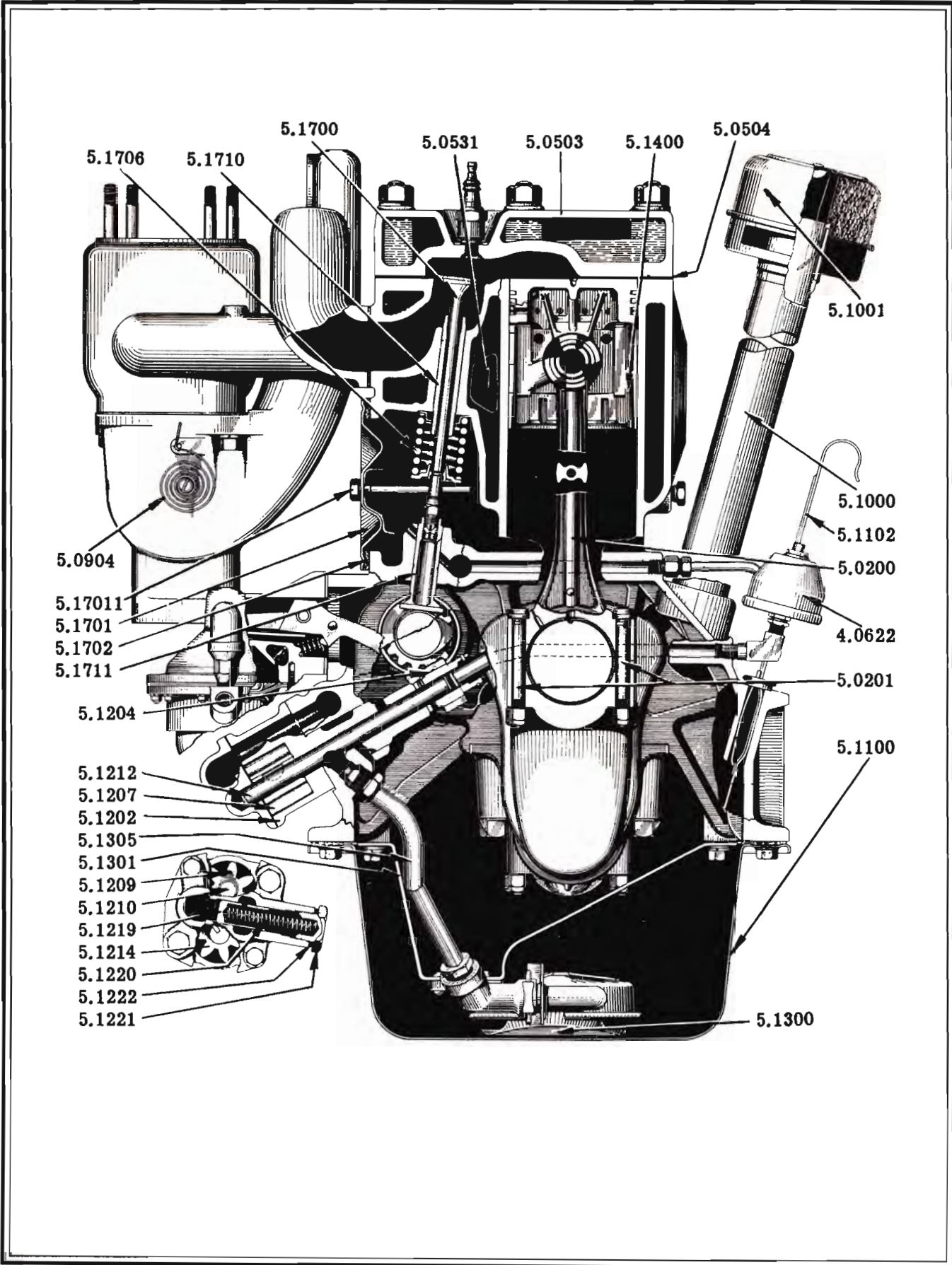
INDEX NO.	PART NO.	DESCRIPTION AND MODELS	PER CAR	INDEX NO.	PART NO.	DESCRIPTION AND MODELS	PER CAR
CAMSHAFT				CONNECTING ROD—Continued			
5.0100	CAMSHAFT			5.0203	BEARING ASSEMBLY, Connecting rod (Cont'd)		
	333005	2000-10-20	1		362507 (.002 under) 2003-3A-4-5-6-7-8-23-55	8	
	330911	1951-2001-1A-11-21	1		362508 (.003 under) 2003-3A-4-5-6-7-8-23-55	8	
	351751	2003-3A-4-5-6-7-8-23-55	1		348627 (.015 under) 2003-3A-4-5-6-7-8-23-55	8	
5.0101	BEARING, Camshaft			5.0204	BUSHING, Connecting rod piston pin		
	354343 #1	1951-2000-1-1A-10-11-20-1	1		303398 1951-20th Sr.	x	
	341331 #1	2003-3A-4-5-6-7-8-23-55	1	CRANKCASE			
	354348 #2	2000-10-20	1	5.0304	SPLASHER ASSEMBLY, Frame to crankcase		
	354346 #2	1951-2001-1A-11-21	1		371566 Right LHD 1951	1	
	341332 #2	2003-3A-4-5-6-7-8-23-55	1		348883 Right LHD 2001A-3A-4-5-7-8-21-3-55	1	
	354350 #3	2000-10-20	1		377512 Right LHD 2003-6	1	
	354347 #3	1951-2001-1A-11-21	1		348823 Right LHD 2020	1	
	341333 #3	2003-3A-4-5-6-7-8-23-55	1		371564 Left LHD 1951	1	
	354354 #4	2000-10-20	1		348922 Left LHD 2001A-3A-4-5-7-8-21-3-55	1	
	354349 #4	1951-2001-1A-11-21	1		377515 Left LHD 2003-6	1	
	341334 #4	2003-3A-4-5-6-7-8-23-55	1		347629 Left LHD 2020	1	
	354354 #5	1951-2001-1A-11-21	1		348885 Right RHD 2001A-3A-4-5-7-8-21-3-55	1	
	341335 #5	2003-3A-4-5-6-7-8-23-55	1		348846 Right RHD 2020	1	
	341336 #6	2003-3A-4-5-6-7-8-23-55	1		348924 Left RHD 2001A-3A-4-5-7-8-21-3-55	1	
	341337 #7	2003-3A-4-5-6-7-8-23-55	1		347627 Left RHD 2020	1	
	302254 #8	2003-3A-4-5-6-7-8-23-55	1		303399 (50.080) Screw 5/16-18 x 9/16	x	
5.0105	CHAIN, Camshaft driving			CRANKSHAFT			
	333289	1951-2000-1-1A-10-11-20-1	1	5.0400	CRANKSHAFT		
	341575	2003-3A-4-5-6-7-8-23-55	1		315703 2000-10-20	1	
5.0110	SPACER, Camshaft				900018 (Supersedes 304852) 1951-2001-1A-11-21	1	
	348014	1951-20th Sr.	1		362034 2003-3A-4-5-6-7-8-23-55	1	
5.0111	SPROCKET, Camshaft				300027 Oil hole plug 1951-2001-1A-11-21	2	
	304266	1951-2000-1-1A-10-11-20-1	1	5.0401	BEARING SET, Crankshaft		
	341594	2003-3A-4-5-6-7-8-23-55	1		348315 (Std.) 2000-10-20	1	
	4552	(50.845) Key #9 Whitney	1		348318 (Std.) 1951-2001-1A-11-21	1	
5.01114	NUT, Camshaft sprocket				348316 (.001 under) 2000-10-20	1	
	300069	1951-20th Sr.	1		348319 (.001 under) 1951-2001-1A-11-21	1	
5.01115	LOCK, Camshaft sprocket nut				348317 (.002 under) 2000-10-20	1	
	300070	1951-20th Sr.	1		348320 (.002 under) 1951-2001-1A-11-21	1	
5.0112	THRUST PLATE, Camshaft			5.0402	BEARING ASSEMBLY, Crankshaft		
	330755	1951-20th Sr.	1		303393 (Std. #1) 2000-10-20	1	
	362869	Lockwasher 1951-2000-1-1A-10-11-20-1	1		303391 (Std. #2-3) 2000-10-20	2	
	5504	(50.220) Lockwasher 5/16 1951-20th Sr.	x		303394 (Std. #4) 2000-10-20	1	
	7804	(50.003) Screw 5/16-18 x 3/4 1951-20th Sr.	2		303391 (Std. #1) 1951-2001-1A-11-21	1	
CONNECTING ROD					303392 (Std. #2-4) 1951-2001-1A-11-21	2	
5.0200	ROD AND BUSHING ASSEMBLY, Connecting				303393 (Std. #3) 1951-2001-1A-11-21	1	
	333834	1951-2000-1-1A-10-11-20-1	x		303394 (Std. #5) 1951-2001-1A-11-21	1	
	341350	2003-3A-4-5-6-7-8-23-55	8		348630 (Std. #1) 2003-3A-4-5-6-7-8-23-55	1	
5.0201	BOLT, Connecting rod				348631 (Std. #2-3-4-6-7-8) 2003-3A-4-5-6-7-8-23-55	6	
	330751	1951-2000-1-1A-10-11-20-1	x		348632 (Std. #5) 2003-3A-4-5-6-7-8-23-55	1	
	341367	2003-3A-4-5-6-7-8-23-55	16		348633 (Std. #9) 2003-3A-4-5-6-7-8-23-55	1	
	4291	(50.240) Cotter pin 2003-3A-4-5-6-7-8-23-55	16		320365 (.001 under #1) 2000-10-20	1	
	338631	Nut 3/8-24 1951-2000-1-1A-10-11-20-1	x		320363 (.001 under #2-3) 2000-10-20	2	
	7699	(50.150) Lock nut 1951-2000-1-1A-10-11-20-1	x		320366 (.001 under #4) 2000-10-20	1	
	210120	Nut 7/16-28 2003-3A-4-5-6-7-8-23-55	16		320363 (.001 under #1) 1951-2001-1A-11-21	1	
5.0203	BEARING ASSEMBLY, Connecting rod				320364 (.001 under #2-4) 1951-2001-1A-11-21	2	
	362500	(Std.) 2000-10-20-30	6		320365 (.001 under #3) 1951-2001-1A-11-21	1	
	362501	(.001 under) 2000-10-20-30	6		320366 (.001 under #5) 1951-2001-1A-11-21	1	
	362502	(.002 under) 2000-10-20-30	6		348634 (.001 under #1) 2003-3A-4-5-6-7-8-23-55	1	
	362503	(.003 under) 2000-10-20-30	6		348635 (.001 under #2-3-4-6-7-8) 2003-3A-4-5-6-7-8-23-55	1	
	335831	(.015 under) 2000-10-20-30	6		348636 (.001 under #5) 2003-3A-4-5-6-7-8-23-55	1	
	362500	(Std.) 1951-2001-1A-11-21	8		348637 (.001 under #9) 2003-3A-4-5-6-7-8-23-55	1	
	362501	(.001 under) 1951-2001-1A-11-21	8		317626 (.002 under #1) 2000-10-20	1	
	362502	(.002 under) 1951-2001-1A-11-21	8		317624 (.002 under #2-3) 2000-10-20	2	
	362503	(.003 under) 1951-2001-1A-11-21	8		317627 (.002 under #4) 2000-10-20	1	
	335831	(.015 under) 1951-2001-1A-11-21	8		317624 (.002 under #1) 1951-2001-1A-11-21	1	
	362505	(Std.) 2003-3A-4-5-6-7-8-23-55	8		317625 (.002 under #2-4) 1951-2001-1A-11-21	2	
	362506	(.001 under) 2003-3A-4-5-6-7-8-23-55	8		317626 (.002 under #3) 1951-2001-1A-11-21	1	
					317627 (.002 under #5) 1951-2001-1A-11-21	1	



ENGINE SIDE SECTIONAL



ENGINE FRONT HALF, SIDE SECTIONAL



ENGINE FRONT SECTIONAL

INDEX NO.	PART NO.	DESCRIPTION AND MODELS	PER CAR	INDEX NO.	PART NO.	DESCRIPTION AND MODELS	PER CAR
CRANKSHAFT—Continued				CYLINDER—Continued			
5.0402	BEARING ASSEMBLY, Crankshaft (Cont'd)			5.0503	CYLINDER HEAD ASSEMBLY (Cont'd)		
	367812	(.015 under #1) 2000-10-20	1		6646	(50.720) Plug 3/8-18 hex hd. pipe 2003-3A-4-5-6-7-8-23-55	1
	367810	(.015 under #2-3) 2000-10-20	2		341119	(50.090) Stud 7/16-20 x 3-3/32 1951-20th Sr.	x
	367813	(.015 under #4) 2000-10-20	1		5666	(50.090) Stud (To air cleaner brkt.) 2003-3A-4-5-6-7-8-23-55	1
	367810	(.015 under #1) 1951-2001-1A-11-21	1		351538	(50.090) Stud (water outlet flange) 2003-3A-4-5-6-7-8-23-55	1
	367811	(.015 under #2-4) 1951-2001-1A-11-21	2		3883	(50.200) Washer 7/16 1951-20th Sr.	x
	367812	(.015 under #3) 1951-2001-1A-11-21	1		5.0504	GASKET, Cylinder head	
	367813	(.015 under #5) 1951-2001-1A-11-21	1		324284	(Std.) 2000-10-20	1
5.0403	BEARING CAP, Crankshaft				341730	(Extra thick) 2000-10-20	1
	324716	(#1) 2000-10-20	1		302736	(Std.) 1951-2001-1A-11-21	1
	324719	(#1) 1951-2001-1A-11-21	1		341731	(Extra thick) 1951-2001-1A-11-21	1
	341469	(#1) 2003-3A-4-5-6-7-8-23-55	1		341364	(Std.) 2003-3A-4-5-6-7-8-23-55	1
	324717	(#2 and #3) 2000-10-20	2		358180	(Extra thick) 2003-3A-4-5-6-7-8-23-55	1
	324720	(#2 and #4) 1951-2001-1A-11-21	2	5.05045	GASKET PASTE, Cylinder head		
	341470	(#2-3-4-6-7 & 8) 2003-3A-4-5-6-7-8-23-55	6		98674	(3 oz. tube) 1951-20th Sr.	x
	324721	(#3) 1951-2001-1A-11-21	1	5.0506	THERMOSTAT ASSEMBLY, Cylinder head		
	324730	(#4) 2000-10-20	1		300066	1951-2000-1-1A-10-11-20-1	1
	324731	(#5) 1951-2001-1A-10-20	1		351540	2003-3A-4-5-6-7-8-23-55	1
	341471	(#5) 2003-3A-4-5-6-7-8-23-55	1	5.0507	RETAINER, Cylinder head thermostat		
	362013	(#9) 2003-3A-4-5-6-7-8-23-55	1		348537	1951-2000-1-1A-10-11-20-1	1
5.0404	SCREW, Crankshaft bearing cap				351536	2003-3A-4-5-6-7-8-23-55	1
	324732	1951	12	5.0508	FLANGE, Cylinder head water outlet		
	377585	20th Sr.	x		348919	1951-2000-1-1A-10-11-20-1	1
	302441	Lock (long) 1951-2003-3A-4-5-6-7-8-23-55	x		377821	2003-6	1
	300014	Lock (short) 1951-20th Sr.	x		351537	2003A-4-5-7-8-23-55	1
5.0405	BRACE ASSEMBLY, Crankshaft bearing cap screw cock and oil strainer bracket			5.0509	GASKET, Cylinder head water outlet flange		
	367060	2003-3A-4-5-6-7-8-23-55	1		348526	1951-2000-1-1A-10-11-20-1	1
5.0407	OIL SEAL, Crankshaft bearing cap				348828	2003-3A-4-5-6-7-8-23-55	1
	300191	(Rear-wood) 1951-20th Sr.	2		7293	(50.003) Screw 3/8-16 x 7/8 1951-2000-1-1A-10-11-20-1	2
5.0408	OIL SEAL, Crankshaft bearing (rear)				7045	(50.003) Screw 3/8-16 x 2-1/4 2003-3A-4-5-23-55	1
	362010	2003-3A-4-5-6-7-8-23-55	2		7576	(50.003) Screw 3/8-16 x 2-1/4 2006-7-8	1
5.0410	SPROCKET, Crankshaft				5506	(50.220) Lockwasher	2
	304265	1951-20th Sr.	1	5.0512	PLUG ASSEMBLY, Cylinder oil gallery metering		
CYLINDER					362863	1951-2000-1-1A-10-11-20-1	1
5.0500	CYLINDER AND PISTON ASSEMBLY			5.0513	TUBE ASSEMBLY, Cylinder oil passage connecting		
	373714	Std. 1951	1		371855	1951-2000-1-1A-10-11-20-1	1
	379283	Std. (Alum. pistons) 2000-10-20-30	1		364337	2003-3A-4-5-6-7-8-23-55	1
	379285	Std. (Iron pistons) 2001-1A-11-21	1		6659	(50.725) Connector 1/4 2003-3A-4-5-6-7-8-23-55	1
	379287	Std. (Alum. pistons) 2003-3A-4-5-6-7-8-23-55	1		371856	Tee 1951-2000-1-1A-10-11-20-1	1
	6343	(50.556) Dowel pin 3/8 x 13/16 20th Sr.	2		364403	Tee 2003-3A-4-5-6-7-8-23-55	1
	4559	(50.720) Plug 1/8 headless pipe (Oil passage) 1951-20th Sr.	x		6659	(50.725) Union 1951-2000-1-1A-10-11-20-1	1
	309987	(50.720) Plug 3/8 headless pipe (Oil passage rear end) 1951-20th Sr.	x		302492	Union Nut 1/4 1951-2000-1-1A-10-11-20-1	2
	4471	(50.720) Plug 3/8 headless pipe plug (Oil passage-end) 1951-2000-1-1A-10-11-20-1	1	5.0515	CONNECTION, Cylinder oil pressure gauge tube		
	320578	(50.810) Plug expansion 2" 1951-20th Sr.	3		316226	(LHD) 1951-2001A	1
	330779	(50.090) Stud (outer) 2000-3-3A-4-5-6-7-8-10-20-3-55	2		354022	Elbow 1/4 (RHD)	1
	300171	(50.090) Stud (Center & intermediate) 2000-10-20	4	5.0517	PLATE, Cylinder ventilator baffle		
	300171	(50.090) Stud (To manifold) 1951-2001-1A-3-3A-4-5-6-7-8-11-21-3-55	x		320551	1951-2000-1-1A-10-11-20-1	1
5.0501	PLUG, Cylinder camshaft rear bearing				5504	(50.220) Lockwasher 5/16	1
	300193	1951-20th Sr.	1		7375	(50.003) Screw 5/16-24 x 11/16	1
5.0503	CYLINDER HEAD ASSEMBLY				315999	(50.161) Screw Boss	1
	367634	2000-10-20	1	5.0518	TUBE ASSEMBLY, Cylinder ventilator outlet		
	367636	1951-2001-1A-11-21	1		333934	LHD 1951-2000-1-1A-10-11-20-1	1
	351254	2003-3A-4-5-6-7-8-23-55	1		354024	RHD 2000-1-1A-10-11-20-1	1
	7007	Nut 7/16-20 1951-20th Sr.	x	5.0519	CLAMP, Cylinder ventilator outlet tube		
	7006	(50.100) Nut 3/8-24 2003-3A-4-5-6-7-8-23-55	1		315617	1951-2000-1-1A-10-11-20-1	1
	6721	(50.720) Plug 3/8-18 sq. hd. pipe 1951-2000-1-1A-10-11-20-1	1		5504	(50.220) Lockwasher 5/16	1
					7804	(50.003) Screw 5/16-18 x 3/4	1

INDEX NO.	PART NO.	DESCRIPTION AND MODELS	PER CAR	INDEX NO.	PART NO.	DESCRIPTION AND MODELS	PER CAR
CYLINDER—Continued				FLYWHEEL—Continued			
5.0520	GASKET, Cylinder ventilator outlet tube 302311	1951-2000-1-1A-10-11-20-1	1	5.0607	RETAINER & SUPPORT ASSEMBLY, Flywheel housing cover lower felt Cont'd		
5.0521	SUPPORT, Cylinder ventilator outlet tube 315433 LHD 316565 RHD	1951-2000-1-1A-10-11-20-1 2000-1-1A-10-11-20-1	1 1	6673	(50.230) Lockwasher 1/2 2003-3A-4-5-6-7-8-55		11
5.0526	PLUG, Cylinder water jacket drain 5421 (1/8 Pipe)	1951-20th Sr.	1	6229	(50.003) Screw 1951 Used with Econo Drive		3
5.0531	MANIFOLD ASSEMBLY, Cylinder water 320598 320619 351060	2000-10-20 1951-2001-1A-11-21 2003-3A-4-5-6-7-8-23-55	1 1 1	7374	(50.003) Screw 5/16-18 x 1/2 2000-1-1A-10-11-20-1		3
FLYWHEEL				GASKETS			
5.0600	FLYWHEEL ASSEMBLY 358019 *358020 358020 341477 356917 300162 371074	2000-10-20 2000-10-20 1951-2001-1A-11-21 2003-3A-4-5-6-7-8-23-55 2030 (50.003) Screw 7/16-20 x 13/16 1951-2000-1-1A-10-11-20-1 (50.003) Screw 1/2-20 x 1-1/4 2003-3A-4-5-6-7-8-23-55	1 1 1 1 1 6 6	5.0700	GASKET SET, Combination (complete engine) 338687 338817 373678	2000-10-20 1951-2001-1A-11-21 2003-3A-4-5-6-7-8-23-55	1 1 1
5.0601	LOCK PLATE, Flywheel assembly screw 300163 341665	1951-2000-1-1A-10-11-20-1 2003-3A-4-5-6-7-8-23-55	3 3	5.0701	GASKET SET, Carbon & Valve 354427 354428	2000-10-20 1951-2001-1A-11-21	1 1
5.0603	HOUSING ASSEMBLY, Flywheel 367492 LHD 341718 LHD 378823 RHD 358026 RHD 341719 RHD 5508 7246	1951-2000-1-1A-10-11-20-1 2003-3A-4-5-6-7-8-23-55 2000-1-10-11 2001A-20-1 2003A-4-5-7-8-23-55 (50.220) Lockwasher 7/16 (50.003) Screw 7/16-14 x 1-1/8	1 1 1 1 1 6 6	GEAR COVER			
5.0604	COVER, Flywheel housing lower 356603 333656 333656 341689 6343 5504 6989 6648 7376 6831 6988 6831	1951 Used with Econo Drive 1951 2000-1-1A-10-11-20-1 2003-3A-4-5-6-7-8-23-55 (50.556) Dowel (1951 Used with Econo Drive) 20th Sr. (50.220) Lockwasher 5/16 1951-20th Sr. (50.003) Screw 5/16-18 x 9/16 1951-2000-1-1A-10-11-20-1 (50.003) Screw 5/16-18 x 7/8 (1951 Used with Econo Drive) 2000-1-1A-10-11-20-1 (50.003) Screw 5/16-18 x 1" 1951-2000-1-1A-10-11-20-1 (50.003) Screw 5/16-18 x 2-1/2 1951-2000-1-1A-10-11-20-1 (50.003) Screw 5/16-18 x 7/8 2003-3A-4-5-6-7-8-23-55 (50.003) Screw (long) 5/16-18 x 2-1/2 2003-3A-4-5-6-7-8-23-55	1 1 1 1 2 x 8 1 2 2 8 2	5.0800	COVER, Gear 304267 341591 5504 7005 7379 6988	1951-2000-1-1A-10-11-20-1 2003-3A-4-5-6-7-8-23-55 (50.220) Lockwasher 5/16 (50.100) Nut 5/16-24 (50.003) Screw 5/16-24 x 5/8 (50.003) Screw 5/16-18 x 7/8	1 1 1 1 1 7
5.0605	FELT, Flywheel housing cover lower 300176	1951-20th Sr.	1	5.0801	GASKET, Gear cover 300169 (Long) 341612 (Long) 300170 (Short) 341611 (Short)	1951-2000-1-1A-10-11-20-1 2003-3A-4-5-6-7-8-23-55 1951-2000-1-1A-10-11-20-1 2003-3A-4-5-6-7-8-23-55	1 1 1 1
5.0606	RETAINER, Flywheel housing cover lower felt 300175	1951-20th Sr.	1	5.0802	REINFORCEMENT, Gear cover 300172 341663	1951-2000-1-1A-10-11-20-1 2003-3A-4-5-6-7-8-23-55	1 1
5.0607	RETAINER & SUPPORT ASSEMBLY, Flywheel housing cover lower felt 333697 5504	(1951 Used with Econo Drive) 2000-1-3-3A-4-5-6-7-8-10-11-23-55 (50.220) Lockwasher 5/16 (1951 Used with Econo Drive) 2000-1-1A-10-11-20-1	1 3	5.0803	RETAINER, Gear cover oil 300103	1951-20th Sr.	1
				5.0805	INDICATOR, Gear cover timing 341125 348549	1951-2000-1-1A-10-11-20-1 2003-3A-4-5-6-7-8-23-55	1 1
				5.0806	PLATE ASSEMBLY, Front end 324551 341542 7804	1951-2000-1-1A-10-11-20-1 2003-3A-4-5-6-7-8-23-55 (50.003) Screw 5/16-18 x 3/4	1 1 1
				5.0807	GASKET, Front end plate 324552 341588 341587	1951-2000-1-1A-10-11-20-1 2003-3A-4-5-6-7-8-23-55 2003-3A-4-5-6-7-8-23-55	1 1 1
				MANIFOLD			
5.0900	MANIFOLD ASSEMBLY, Exhaust 382399	(Supersedes 356729) 2000-10-20	1				

*Used with Electromatic Clutch.

ENGINE

5.0900 - 5.0939

INDEX NO.	PART NO.	DESCRIPTION AND MODELS	PER CAR	INDEX NO.	PART NO.	DESCRIPTION AND MODELS	PER CAR
MANIFOLD—Continued				MANIFOLD—Continued			
5.0900	MANIFOLD ASSEMBLY, Exhaust (Cont'd)			5.0916	WEIGHT, Exhaust manifold heat control valve shaft		
	382405	(Supersedes 356894) 1951-2001-1A-11-21	1		315063	1951-2000-1-1A-10-11-20-1	1
	367100	2003-3A-4-5-6-7-8-23-55	1		348307	2003-3A-4-5-6-7-8-23-55	1
	205429	(50.100) Nut (Stud) 1951-20th Sr.	x		5500	(50.220) Lockwasher #10 2003-3A-4-5-6-7-8-23-55	1
		7243 (50.003) Screw 3/8-16 x 1-1/8 To Intake Manifold 1951-20th Sr.	x		7003	(50.100) Nut #10-32 2003-3A-4-5-6-7-8-23-55	1
	315059	(50.003) Screw Long (To Intake Manifold) 2000-10-20	1		7445	(50.004) Screw #10-32 x 7/8 2003-3A-4-5-6-7-8-23-55	1
	300129	(50.200) Washer 3/8 1951-20th Sr.	x	5.0917	KEY, Exhaust manifold heat control valve shaft weight		
	302770	(50.200) Washer 2000-10-20	1		213745	2003-3A-4-5-6-7-8-23-55	1
5.0901	CLAMP, Exhaust manifold (hold down)			5.0918	PIN, Exhaust manifold heat control valve shaft weight		
	330780	2000-3-3A-4-5-6-7-8-10-20-3-55	2		300181	1951-2000-1-1A-10-11-20-1	1
5.0902	GASKET SET, Manifold			5.0919	SPRING, Exhaust manifold heat control valve stop		
	351093	2000-10-20	1		213746	2003-3A-4-5-6-7-8-23-55	1
	303906	1951-2001-1A-11-21	1		213744	Pin	1
	371230	2003-3A-4-5-6-7-8-23-55	1	5.0920	MANIFOLD, Intake		
5.0903	GASKET, Manifold				367644	2000-10-20	1
	330775	(Center) 2000-10-20	1		367643	1951-2001-1A-11-21	1
	330774	(Front & Rear) 2000-10-20	2		367642	2003-3A-4-5-6-7-8-23-55	1
	300037	(Center) 1951-2001-1A-11-21	1		4564	(50.720) Plug 1/4 Pipe 1951-2000-1-1A-3-3A-4-5-6-7-8-10-11-30-55	1
	362813	(Front & Rear) 1951-2001-1A-11-21	2		6721	(50.720) Plug 3/8-18 pipe 20th Sr.	1
	354706	(Exhaust) 2003-3A-4-5-6-7-8-23-55	3		6985	(50.720) Plug 1/8 Pipe 2003-3A-4-5-6-7-8-23-55	1
	354707	(Exhaust & Intake) 2003-3A-4-5-6-7-8-23-55 ..	6		6781	(50.200) Spacer 2003-3A-4-5-6-7-8-23-55	1
5.0904	THERMOSTAT, Exhaust manifold heat control				348503	(50.090) Stud (To Carb.) 2000-10-20	2
	326837	1951-2000-1A-10-20-1	1		300427	(50.090) Stud (To Carb.) 1951-2001-1A-11-21 ..	4
	351020	2003-3A-4-5-6-7-8-23-55	1		364748	(50.090) Stud-Long (To Carb.) 2003-3A-4-5-6-7-8-23-55	2
5.0906	COVER, Exhaust manifold heat control thermostat				300427	(50.090) Stud-short (To Carb.) 2003-3A-4-5-6-7-8-23-55	2
	210016	2003-3A-4-5-6-7-8-23-55	1	5.0928	ROD ASSEMBLY, Intake manifold carburetor throttle control		
	7404	(50.100) Nut 1/4-28	2		377825	2000-10-20	1
	6326	(50.090) Stud 1/4	2	5.0930	CLIP, Intake manifold carburetor throttle control rod end clevis		
	3868	(50.200) Washer 1/4	2		338753	(Right Carb. End) 2020	1
5.0907	PIN, Exhaust manifold heat control thermostat				338752	(Left Lever End) 2020	1
	315060	1951-2000-1-1A-10-11-20-1	1	5.0931	LEVER, Intake manifold carburetor throttle		
5.0908	VALVE, Exhaust manifold heat control				341137	2020	1
	315061	1951-2000-1-1A-10-11-20-1	1	5.0933	SHAFT, Intake manifold carburetor throttle lever		
	213472	2003-3A-4-5-6-7-8-23-55	1		315077	2020	1
5.0909	PIN, Exhaust manifold heat control valve				4280	(50.240) Cotter Pin 1/16 x 1/2	1
	358764	1951-2000-1-1A-10-11-20-1	1		3907	(50.200) Washer 1/4	1
5.09095	REPAIR KIT, Exhaust manifold heat control valve			5.09345	CLIP, Intake manifold drain tube assembly		
	98780	1951-2000-1-1A-10-11-20-21	1		351176	LHD (to Manifold) 2003-3A-4-5-6-7-8-23-55 ..	1
	98782	2003-3A-4-5-6-7-8-23-55	1	5.0935	BALL, Intake manifold drain tube check valve		
5.0910	SHAFT ASSEMBLY, Exhaust manifold heat control valve				213505	2003-3A-4-5-6-7-8-23-55	1
	315062	1951-2000-1-1A-10-11-20-1	1	5.0936	RETAINER, Intake manifold drain tube check valve ball		
	213520	2003-3A-4-5-6-7-8-23-55	1		213493	2003-3A-4-5-6-7-8-23-55	1
	4280	(50.240) Cotter Pin 1/16 x 1/2 2003-3A-4-5-6-7-8-23-55	1		4282	(50.240) Cotter Pin 1/16 x 3/4	1
	3874	(50.200) Washer 5/16 2003-3A-4-5-6-7-8-23-55	1	5.0939	TUBE ASSEMBLY, Intake manifold (to vacuum operated top)		
5.0911	SHAFT AND WEIGHT ASSEMBLY, Exhaust manifold heat control valve				358792	2020	1
	315281	1951-2000-1-1A-10-11-20-1	1		358794	2021	1
5.0913	BUSHING, Exhaust manifold heat control valve shaft				358793	2023	1
	213480	2003-3A-4-5-6-7-8-23-55	2		8266	(50.725) Elbow 2021	1
5.0914	SPACER, Exhaust manifold heat control valve shaft				351096	(50.725) Plug 3/16 2020-23	1
	213518	(Long) 2003-3A-4-5-6-7-8-23-55	1		351825	(50.725) Tee 2020-3	1
	213481	(Short) 2003-3A-4-5-6-7-8-23-55	1				
5.0915	RING, Exhaust manifold heat control valve shaft retaining						
	317788	1951-2000-1-1A-10-11-20-1	1				

INDEX NO.	PART NO.	DESCRIPTION AND MODELS	PER CAR	INDEX NO.	PART NO.	DESCRIPTION AND MODELS	PER CAR
OIL COOLER AND FILTER				OIL PAN—Continued			
5.1000	OIL FILLER ASSEMBLY			5.1102	INDICATOR ASSEMBLY, Oil level		
	373545	1951-20th Sr.	1		371208	1951	1
5.1001	CAP, Oil filler				358168	2000-10-20	1
	373550	1951-20th Sr.	1		377298	2001-1A-11-21	1
5.1009	FILTER ASSEMBLY, Oil				358169	2003-3A-4-5-6-7-8-23-55	1
	341764	Export 1951	1	OIL PUMP			
	378576	2003-3A-4-5-6-7-8-23-55	1	5.1200	PUMP ASSEMBLY, Oil		
5.10095	CARTRIDGE, Oil filter				324402	1951-2000-1-1A-10-11-20-1	1
	341722	Export 1951	1		341650	2003-3A-4-5-6-7-8-23-55	1
5.10097	GASKET, Oil filter				302803	(50.003) Screw 1951 2000 1 1A 10 11 20 1 ...	2
	341723	Export 1951	1		6987	(50.003) Screw 3/8-16 x 3 2003-3A-4-5-6-7-8-23-55	4
5.1010	BRACKET, Oil filter				5506	(50.220) Lockwasher	x
	341726	Export 1951	1	5.1201	GASKET, Oil pump assembly		
	7344	(50.003) Screw 5/16-18 x 3/4 hex. hd.	2		300735	1951-2000-1-1A-10-11-20-1	1
	5504	(50.220) Lockwasher 5/16	2		341579	2003-3A-4-5-6-7-8-23-55	1
	3874	(50.200) Washer 5/16 plain	2	5.1202	BODY, Oil pump		
	7005	(50.100) Nut 5/16-24	2		302807	1951-2000-1-1A-10-11-20-1	1
	378577	2003-3A-4-5-6-7-8-23-55	1		341523	2003-3A-4-5-6-7-8-23-55	1
	6902	(50.120) Nut 3/8-24	2	5.1203	GEAR, Oil pump camshaft		
	6016	(50.090) Stud	2		324401	1951-2000-1-1A-10-11-20-1	1
	3877	(50.200) Washer 3/8	2		341597	2003-3A-4-5-667-8-23-55	1
5.1015	INLET TUBE ASSEMBLY, Oil filter				300181	(50.805) Pin 1951-2000-1-1A-10-11-20-1	1
	373209	Export (Not used with air condition) 1951 ..	1		341651	(50.805) Pin 2003-3A-4-5-6-7-8-23-55	1
	373174	Export (Used with air condition) 1951	1	5.1204	SPRING, Oil pump camshaft gear distributor driving		
	378655	2003-3A-4-5-6-7-8-23-55	1		324305	1951-20th Sr.	1
	378361	Elbow	1	5.1205	RETAINER, Oil pump camshaft gear distributor driving spring		
5.1016	TUBE ASSEMBLY, Oil filter outlet				300150	1951-20th Sr.	1
	373210	Export (Not used with air condition) 1951 ..	1	5.1207	COVER, Oil pump		
	373251	Export (Used with air condition) 1951	1		303926	1951-2000-1-1A-10-11-20-1	1
	302492	(50.725) Union nut 1/4 flared tube 1951	4		341551	2003-3A-4-5-6-7-8-23-55	1
	6664	(50.725) Elbow 1/4 flared tube 1951	2		5502	(50.220) Lockwasher 1/4 1951-2000-1-1A-10-11-20-1	x
	378654	2003-3A-4-5-6-7-8-23-55	1		5506	(50.220) Lockwasher 3/8 2003-3A-4-5-6-7-8-23-55	2
	6659	(50.725) Connector	1		7248	(50.003) Screw 1/4-20 x 7/8 1951-2000-1-1A-10-11-20-1	2
	6664	(50.725) Elbow	2		7833	(50.003) Screw 3/8-16 x 1 2003-3A-4-5-6-7-8-23-55	2
OIL PAN				5.1208	GASKET, Oil pump cover		
5.1100	PAN ASSEMBLY, Oil				303930	1951-2000-1-1A-10-11-20-1	1
	371066	1951	1		341555	2003-3A-4-5-6-7-8-23-55	1
	367661	(Supersedes 379480) 2000-10-20	1	5.1209	IMPELLER, Oil pump driven		
	373986	(Supersedes 379483) 2001-1A-11-21	1		302804	1951-2000-1-1A-10-11-20-1	1
	371237	2003-3A-4-5-6-7-8-23-55	1		215947	(With Bushing) 2003-3A-4-5-6-7-8-23-55	1
	5504	(50.220) Lockwasher 5/16	x	5.1210	SHAFT, Oil pump driven impeller		
	7005	(50.100) Nut 5/16-24	1		302802	1951-2000-1-1A-10-11-20-1	1
	300233	(50.720) Plug	1		341581	2003-3A-4-5-6-7-8-23-55	1
	111192	(50.660) Plug Gasket	1	5.1212	SHAFT, Oil pump driving		
	6560	(50.003) Screw 5/16-18 x 11/16 2000-1-10-11	6		302806	1951-2000-1-1A-10-11-20-1	1
	7081	(50.003) Screw 5/16-18 x 5/8	4		341580	2003-3A-4-5-6-7-8-23-55	1
	6989	(50.003) Screw 5/16-18 x 9/16	x	5.1213	BUSHING, Oil pump driving shaft		
	362091	(50.090) Stud	1		216137	(Long) 2003-3A-4-5-6-7-8-23-55	2
	354310	(50.660) Stud Gasket	x	5.1214	IMPELLER, Oil pump driving		
	6359	(50.200) Washer 5/16	2		302805	1951-2000-1-1A-10-11-20-1	1
5.1101	GASKET SET, Oil pan				341573	2003-3A-4-5-6-7-8-23-55	1
	354756	1951	1		4551	(50.845) Key #5 Whitney 1951-20th Sr.	1
	354755	2000-10-20	1				
	378859	2001-1A-11-21	1				
	354757	2003-3A-4-5-6-7-8-23-55	1				
5.11015	GASKET, Oil pan assembly						
	315065	Right 2000-10-20	1				
	300295	Right 1951-2001-1A-11-21	1				
	341661	Right 2003-3A-4-5-6-7-8-23-55	1				
	302446	Left 1951	1				
	315064	Left 2000-10-20	1				
	377314	Left 2001-1A-11-21	1				
	341662	Left 2003-3A-4-5-6-7-8-23-55	1				

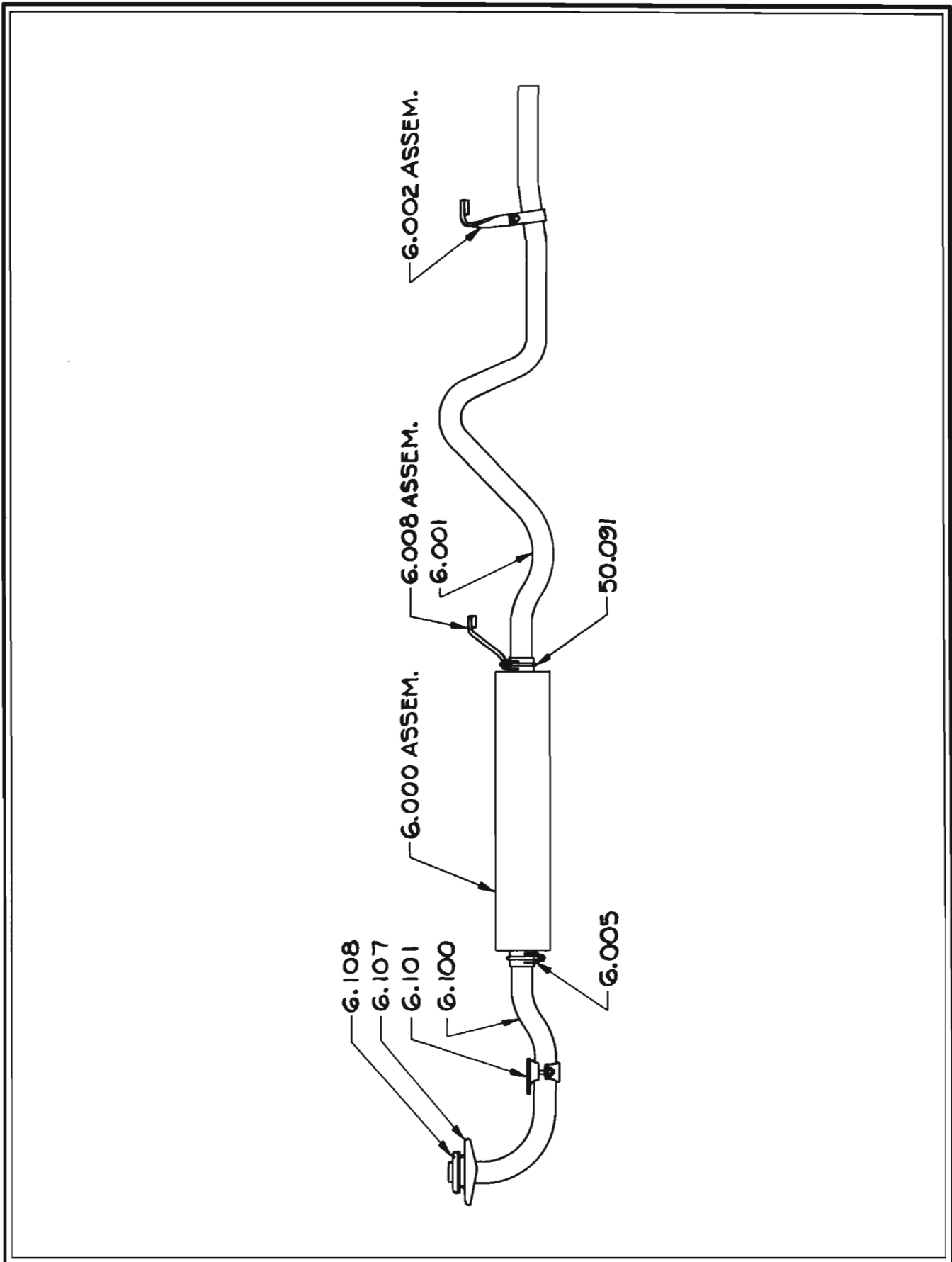
INDEX NO.	PART NO.	DESCRIPTION AND MODELS	PER CAR	INDEX NO.	PART NO.	DESCRIPTION AND MODELS	PER CAR
OIL PUMP—Continued				PISTON—Continued			
5.1219	PISTON,	Oil pump pressure relief valve		5.1400	PISTON ASSEMBLY (Cont'd)		
	303927	1951-20th Sr.	1	348580	(.010 over) (Alum.) 2003-3A-4-5-6-7-8-23-55		8
5.1220	SPRING,	Oil pump pressure relief valve piston		348581	(.020 over) (Alum.) 2003-3A-4-5-6-7-8-23-55		8
	354184	1951-2000-1-1A-10-11-20-1	1	348582	(.030 over) (Alum.) 2003-3A-4-5-6-7-8-23-55		8
	354434	2003-3A-4-5-6-7-8-23-55	1	348583	(.040 over) (Alum.) 2003-3A-4-5-6-7-8-23-55		8
5.1221	RETAINER,	Oil pump pressure relief valve piston spring		5.1401	PISTON PIN		
	303928	1951-20th Sr.	1	324283	(Std.) 2000-3-3A-4-5-6-7-8-10-20-3-30-55	x	
5.1222	GASKET,	Oil pump pressure relief valve piston spring retainer		302037	(Std.) 1951-2001-1A-11-21	8	
	21662	1951-20th Sr.	1	324673	(.003 over) 2000-10-20-30	6	
OIL STRAINER				303381	(.003 over) 1951-2001-1A-11-21	8	
5.1300	STRAINER ASSEMBLY,	Oil		324673	(.003 over) 2003-3A-4-5-6-7-8-23	8	
	334659	1951-2000-1-1A-10-11-20-1	1	324674	(.006 over) 2000-10-20-30	6	
	371116	2003-3A-4-5-6-7-8-23-55	1	303382	(.006 over) 1951-2001-1A-11-21	8	
	4307	(50.240) Cotter Pin 1/8 x 1-1/8 1951-2000-1-1A-10-11-20-1	1	324674	(.006 over) 2003-3A-4-5-6-7-8-23-55	8	
	4309	(50.240) Cotter Pin 1/8 x 1-3/8 2003-3A-4-5-6-7-8-23-55	1	5.1402	LOCK, Piston pin		
5.1301	BEARING & BRACKET ASSEMBLY,	Oil strainer			190021 1951-20th Sr.	x	
	367839	1951-2000-1-1A-10-11-20-1	1	5.14025	RING SET, Piston		
5.1302	BRACKET,	Oil strainer		354716	(Std.) (Alum. piston) 2000-10-20-30	1	
	367838	1951-2000-1-1A-10-11-20-1	1	354717	(.020 over) (Alum. piston) 2000-10-20-30	1	
	341601	2003-3A-4-5-6-7-8-23-55	1	382886	(.030 over) (Alum. piston) 2000-10-20-30	1	
	5504	(50.220) Lockwasher 5/16 2003-3A-4-5-6-7-8-23-55	2	382887	(.040 over) (Alum. pistons) 2000-10-20-30	1	
	4156	(50.400) Rivet 3/16 x 5/8 1951-2000-1-1A-10-11-20-1	2	382878	(Std.) (Iron pistons) 2001-1A-11-21	1	
	6989	(50.003) Screw 5/16-18 x 9/16 1951-2000-1-1A-10-11-20-1	2	382879	(.020 over) (Iron pistons) 2001-1A-11-21	1	
	7376	(50.003) Screw 5/16-18 x 1 2003-3A-4-5-6-7-8-23-55	2	382880	(.030 over) (Iron pistons) 2001-1A-11-21	1	
5.1303	GASKET,	Oil strainer bracket		382881	(.040 over) (Iron pistons) 2001-1A-11-21	1	
	341668	2003-3A-4-5-6-7-8-23-55	1	354718	(Std.) (Alum. piston) 1951-2001-1A-11-21	1	
5.1305	TUBE,	Oil strainer suction		354719	(.020 over) (Alum. piston) 1951-2001-1A-11-21	1	
	367923	1951-2000-10-20	1	382890	(.030 over) (Alum. pistons) 1951-2001-1A-11-21	1	
	373844	2001-1A-11-21	1	382891	(.040 over) (Alum. pistons) 1951-2001-1A-11-21	1	
	300305	Nut	2	354720	(Std.) (Alum. piston) 2003-3A-4-5-6-7-8-23-55	1	
PISTON				354721	(.020 over) (Alum. piston) 2003-3A-4-5-6-7-8-23-55	1	
<i>Motors in which cast iron pistons have been assembled will have the letters "C" or "D" suffixed to the motor number.</i>				382888	(.030 over) (Alum. pistons) 2003-3A-4-5-6-7-8-23-55	1	
5.1400	PISTON ASSEMBLY			382889	(.040 over) (Alum. pistons) 2003-3A-4-5-6-7-8-23-55	1	
	348578	(Std.) (Alum.) 2000-10-20-30	6	5.1404	EXPANDER SET, Piston skirt		
	348579	(.005 over) (Alum.) 2000-10-20-30	6	333583	2000-10-20-30	1	
	348580	(.010 over) (Alum.) 2000-10-20-30	6	348952	(Alum. piston jobs) 2001-1A-11-21	1	
	348581	(.020 over) (Alum.) 2000-10-20-30	6	333583	2003-3A-4-5-6-7-8-23-55	1-1/3	
	348582	(.030 over) (Alum.) 2000-10-20-30	6	SNUBBER—ENGINE			
	348583	(.040 over) (Alum.) 2000-10-20-30	6	5.15001	SNUBBER ASSEMBLY		
	348588	(Std.) (Alum.) 1951-2001-1A-11-21	8	371042	1951-2000-1-3-6-10-11	1	
	348589	(.005 over) (Alum.) 1951-2001-1A-11-21	8	348955	2001A-3A-4-5-7-8-20-1-3-55	1	
	348590	(.010 over) (Alum.) 1951-2001-1A-11-21	8	5508	(50.220) Lockwasher 7/16 1951-20th Sr.	x	
	348591	(.020 over) (Alum.) 1951-2001-1A-11-21	8	5504	(50.220) Lockwasher 5/16 2001A-3-4-5-7-8-20-1-3-55	4	
	348592	(.030 over) (Alum.) 1951-2001-1A-11-21	8	5506	(50.220) Lockwasher 3/8 1951-2000-1-3-6-10-11	3	
	348593	(.040 over) (Alum.) 1951-2001-1A-11-21	8	7006	(50.100) Nut 3/8-24 1951-2000-1-3-6-10-11	3	
	379332	(Std.) (Iron) 2001-1A-11-21	8	#7261	(50.100) Nut 7/16-14 1951-20th Sr.	1	
	379333	(.005 over) (Iron) 2001-1A-11-21	8	7007	(50.100) Nut 7/16-20 1951-20th Sr.	x	
	379334	(.010 over) (Iron) 2001-1A-11-21	8	7005	(50.100) Nut 5/16-24 2001A-3A-4-5-7-8-20-1-3-55	4	
	348578	(Std.) (Alum.) 2003-3A-4-5-6-7-8-23-55	8	7311	(50.003) Screw 3/8-24 x 7/8 2000-1-3-6-10-11	3	
	348579	(.005 over) (Alum.) 2003-3A-4-5-6-7-8-23-55	8	8761	(50.003) Screw 5/16-24 x 1 2001A-3A-4-5-7-8-20-1-3-55	4	
				7884	(50.003) Screw 7/16-20 x 1-1/8 2001A-3A-4-5-7-8-20-1-3-55	2	

INDEX NO.	PART NO.	DESCRIPTION AND MODELS	PER CAR
SNUBBER—ENGINE—Continued			
5.15001	SNUBBER ASSEMBLY, (Cont'd)		
	6748 (50.200)	Washer 3/8 plain 1951-2000-1-3-6-10-11	3
	3877 (50.200)	Washer 3/8 1951-2000-1-3-6-10-11	3
	#3883 (50.200)	Washer (snubber side) 20th Sr.	1
	136982 (50.200)	Washer (Nut side) 7/16 plain 20th Sr.	1
	136982 (50.200)	Washer 7/16 1951-20th Sr.	x
	348932 (50.200)	Washer 7/16 1951-20th Sr.	3
	6228 (50.200)	Washer 5/16 2001A-3A-4-5-7-8-20-1-3-55	4
	3883 (50.200)	Washer 7/16 2001A-3A-4-5-7-8-20-1-3-55	2
5.1501	BRACKET, Snubber frame		
	371041	1951-2000-1-3-6-10-11	1
	348939	2001A-3A-4-5-7-8-20-1-3-55	1
5.1502	BRACKET, Snubber (to transmission)		
	348940	1951-20th Sr.	1
5.1503	CHANNEL, Snubber frame cross		
	#371059	1951-2000-1-10-11	1
	335682	2001A-3A-4-5-7-8-20-1-3-55	1
	#373854	2003-6	1
	#5506 (50.220)	Lockwasher 3/8 1951-2000-1-3-6-10-11	4
	#7006 (50.100)	Nut 3/8-24 1951-2000-1-3-6-10-11	4
	#7818 (50.003)	Screw 3/8-24 x 7/8 1951-2000-1-3-6-10-11	4
5.1504	INSULATOR, Snubber		
	348945	1951-20th Sr.	4
5.1505	SPACER, Snubber insulator		
	348941	1951-20th Sr.	2
5.1507	LINK ASSEMBLY, Snubber		
	#335698	Front (LH thd.) 1951-20th Sr.	1
	#335699	Rear (RH thd.) 1951-20th Sr.	1
5.1508	LINK TURNBUCKLE, Snubber		
	#335652	1951-20th Sr.	1
	335652	2003A-4-5-7-8-23	1
	#7252 (50.100)	Nut 1951-20th Sr.	1
	#335705 (50.150)	Nut (LH thd.) 1951-20th Sr.	1
	7252 (50.100)	Nut 7/16-20 2003A-4-5-7-8-23	1
	335705 (50.150)	Nut (LH thd.) 2003A-4-5-7-8-23	1
5.1509	ROD, Snubber		
	371040	1951-2000-1-3-6-10-11	1
	348938	2001A-3A-4-5-7-8-20-1-3-55	1
5.1552	STABILIZER ASSEMBLY		
	377541	2003-6	2
	358960	2003A-4-5-7-8-23-55	2
	362596 (RHD)	2003A-4-5-7-8-23-55	1
	5506 (50.220)	Lockwasher 3/8 2003A-4-5-7-8-23-55	4
	7006 (50.100)	(RHD) Nut 3/8-24 2003A-4-5-7-8-23-55	2
	7819 (50.003)	Screw 3/8-24 x 1 2003A-4-5-7-8-23-55	4
	7512 (50.003)	(RHD) Screw 3/8-24 x 1-1/8 2003A-4-5-7-8-23-55	2
	5049 (50.200)	Washer 3/8 2003A-4-5-7-8-23-55	4
5.1555	BRACKET, Stabilizer cylinder		
	358963	2003-3A-4-5-6-7-8-23-55	1
	5504 (50.220)	Lockwasher 5/16	4
	5506 (50.220)	Lockwasher 3/8	4
	7005 (50.100)	Nut 5/16-24	4
	7410 (50.003)	Screw 3/8-16 x 7/8	4
	7861 (50.003)	Screw 5/16-24 x 1	4
5.1557	PLATE, Stabilizer cylinder bracket bolt		
	207582	2003-3A-4-5-6-7-8-23-55	4

INDEX NO.	PART NO.	DESCRIPTION AND MODELS	PER CAR
SUPPORTS			
5.1601	CHANNEL ASSEMBLY, Support (front)		
	367733	1951	1
	373923	2000-1-10-11	1
	320934	2001A-20-1	1
	348143	2003-3A-4-5-6-7-8-23-55	1
5.1602	BRACKET, Support (front) channel - lower		
	377239	Right 2000-1-10-11	1
	373922	Left 2000-1-10-11	1
	320933	2001A-20-1	2
	300903 (50.003)	Bolt 1/2-20 x 1-1/8 1951-2000-1A-3-3A-4-5-6-7-8-10-11-20-1-3-55	2
	6135 (50.003)	Bolt 1/2-20 x 1-1/4 2001-11	2
	5510 (50.220)	Lockwasher 1/2	2
	7008 (50.100)	Nut 1/2-20	2
	5133 (50.200)	Washer 1/2	2
5.1603	INSULATOR, Support (front)		
	300277	1951-2000-1-1A-10-11-20-1	2
	341498	2003-3A-4-5-7-8-23-55	2
5.1604	RETAINER, Support (front) insulator		
	300226	1951-2000-1-1A-10-11-20-1	1
	341499	2003-3A-4-5-7-8-23-55	1
	5504 (50.220)	Lockwasher 5/16 1951-2000-1-1A-10-11-20-1	2
	5506 (50.220)	Lockwasher 3/8 2003-3A-4-5-6-7-8-23-55	2
	7826 (50.003)	Screw 5/16-24 x 5/8 1951-2000-1-1A-10-11-20-1	2
	5958 (50.003)	Screw 3/8-24 x 13/16 2003-3A-4-5-6-7-8-23-55	2
5.1607	CHANNEL & BRACKET ASSEMBLY, Support (rear)		
	367883 (LHD)	1951-2000-1-3-6-10-11	1
	333440	2001A-3A-4-5-7-8-21-3-55	1
	333439 (LHD)	2020	1
	378847 (RHD)	2000-1-10-11	1
	333839 (RHD)	2020	1
	7345 (50.220)	Lockwasher 3.8	x
	7006 (50.100)	Nut 3/8-24	x
	7818 (50.003)	Screw 3/8-24 x 7/8	x
	326500 (50.092)	Screw 2001A-3A-4-5-7-8-20-1-3-55	4
5.1608	BRACKET, Support (rear) channel		
	367882 (LHD)	(Right front and left rear) 1951-2000-1-3-6-10-11	2
	367881 (LHD)	(Left front and right rear) 1951-2000-1-3-6-10-11	2
	333446 (Right)	2001A-3A-4-5-7-8-21-3-55	1
	333444 (LHD)	(Right) 2020	1
	333445 (Left)	2001A-3A-4-5-7-8-21-3-55	1
	333443 (LHD)	(Left) 2020	1
	378783 (RHD)	(Right front) 2000-1-10-11	1
	378782 (RHD)	(Right rear) 2000-1-10-11	1
	367882 (RHD)	(Left rear) 2000-1-10-11	1
	367881 (RHD)	(Left front) 2000-1-10-11	1
	333837 (RHD)	(Right) 2020	1
	333443 (RHD)	(Left) 2020	1
	4185 (50.400)	Rivet 3/8 x 3/4 2001A-3A-4-5-7-8-20-1-3-55	4
5.1609	INSULATOR ASSEMBLY, Support (rear)		
	320929	1951-2000-1-1A-3-6-10-11-20-1	2
	335135	Right 2003A-4-5-7-8-23-55	1
	335134	Left 2003A-4-5-7-8-23-55	1
	7819 (50.003)	Bolt 3/8-24 x 1	4
	5510 (50.220)	Lockwasher 1/2	4
	6166 (50.22)	Lockwasher 3/8	4
	7006 (50.100)	Nut 3/8-24	4
	6288 (50.003)	Screw 1/2-20 x 15/16	4
	126770 (50.200)	Washer 3/8	4
5.1610	BRACKET, Support rear insulator		
	320931	Lower 1951-2000-1-1A-3-6-10-11-20-1	2

INDEX NO.	PART NO.	DESCRIPTION AND MODELS	PER CAR	INDEX NO.	PART NO.	DESCRIPTION AND MODELS	PER CAR
SUPPORTS—Continued				VALVES—Continued			
5.1610		BRACKET, Support rear insulator (Cont'd)		5.1715		PLUNGER ASSEMBLY, Valve tappet (Hydraulic)	
	335133	Lower 2003A-4-5-7-8-23-55	2		351717	2003-3A-4-5-6-7-8-23-55	16
	320932	Upper 1951-2000-1-1A-3-6-10-11-20-1	2	5.1718		REGULATOR ASSEMBLY, Valve tappet oil	
	335132	Upper Right 2003A-4-5-7-8-23-55	1		351780	2003-3A-4-5-6-7-8-23-55	2
	335131	Upper Left 2003A-4-5-7-8-23-55	1	5.1720		BODY, Valve tappet oil regulator	
VALVES					351778	2003-3A-4-5-6-7-8-23-55	2
5.1700		VALVE, (Exhaust & intake)		5.1722		PISTON, Valve tappet oil regulator	
	358105	(Exhaust) 1951-2000-1-1A-10-11-20-1	x		351713	2003-3A-4-5-6-7-8-23-55	2
	358196	(Exhaust) 2003-3A-4-5-6-7-8-23-55	8	5.1724		RETAINER, Valve tappet oil regulator piston	
	362849	(Intake) 2000-10-20	6		351779	2003-3A-4-5-6-7-8-23-55	2
	358190	(Intake) 1951-2001-1A-11-21	8	5.1726		SPRING, Valve tappet oil regulator piston	
	358224	(Intake) 2003-3A-4-5-6-7-8-23-55	8		351712	2003-3A-4-5-6-7-8-23-55	2
5.1701		COVER, Valve		VIBRATION DAMPER			
	327956	Front 2000-10-20	1	5.1800		DAMPER ASSEMBLY, Vibration	
	300021	Rear 2000-10-20	1		341130	1951-2000-1-1A-10-11-20-1	1
	327958	1951-2001-1A-11-21	2		348565	2003-3A-4-5-6-7-8-23-55	1
	341644	Front 2003-3A-4-5-6-7-8-23-55	1		199045	(50.150) Clinch nut (Drum screw) 1951-20th Sr.	6
	341645	Rear 2003-3A-4-5-6-7-8-23-55	1		304775	Dowel pin 20th Sr.	2
	341871	Screw	4		5447	(50.230) Lockwasher 1/4 1951-20th Sr.	6
	129439	(50.660) Screw Gasket	4		5518	(50.220) Lockwasher 3/4 1951-2000-1-1A-10-11-20-1	1
5.17015		GASKET SET, Valve cover			6599	(50.003) Screw (Drum) 1/4-28 x 11/16 20th Sr.	6
	358382	2000-10-20	1		304128	(50.003) Screw 3/4-16 x 1-1/4 1951-2000-1-1A-10-11-20-1	1
	358381	1951-2001-1A-11-21	1		341404	(50.003) Screw 3/4-16 x 1-1/8 2001-1A-4-5-6-7-8-23-55	1
	358383	2003-3A-4-5-6-7-8-23-55	1		300063	(50.200) Washer 1951-2000-1-1A-10-11-20-1 ...	1
5.1702		GASKET, Valve cover		5.1801		SPRING, Vibration damper flywheel	
	315039	2000-10-20	2		302594	1951-20th Sr.	6
	300196	1951-2001-1A-11-21	2	5.1802		PLUG, Vibration damper flywheel spring	
	341369	2003-3A-4-5-6-7-8-23-55	2		304309	1951-20th Sr.	6
5.1703		TUBE ASSEMBLY, Valve cover ventilator		5.1803		DISC, Vibration damper friction	
	341944	LHD 2003-3A-4-5-6-7-8-23-55	1		300057	1951-20th Sr.	1
	351509	RHD 2003A-4-5-7-8-23-55	1	5.1804		PLATE, Vibration damper friction	
5.1704		TUBE BRACKET, Valve cover ventilator			300059	1951-20th Sr.	1
	341945	LHD 2003-3A-4-5-6-7-8-23-55	1		187356	(50.300) Screw	12
	351510	RHD 2003A-4-5-7-8-23-55	1	5.1805		HUB AND FAN PULLEY, Vibration damper	
5.1705		CLAMP, Valve cover ventilator tube			304268	1951-2000-1-1A-10-11-20-1	1
	240743	2003-3A-4-5-6-7-8-23-55	1		348288	2003-3A-4-5-6-7-8-23-55	1
5.1706		SPRING, Valve		5.1807		KEY, Vibration damper assembly	
	324953	1951-2000-1-1A-10-11-20-1	x		300064	1951-2000-1-1A-10-11-20-1	1
	351750	2003-3A-4-5-6-7-8-23-55	16		341873	2003-3A-4-5-6-7-8-23-55	1
	358660	Lock (Shakeproof) 1951-2000-1-1A-10-11-20-1 ..	x	WATER PUMP AND FAN			
	6805	(50.230) Lockwasher 5/8 2003-3A-4-5-6-7-8-23-55	16	5.1900		WATER PUMP ASSEMBLY	
5.1707		KEY, Valve spring			362052	1951-2000-1-1A-10-11-20-1	1
	358188	1951-20th Sr.	x		362085	2003-3A-4-5-6-7-8-23-55	1
5.1708		SEAT, Valve spring			5506	(50.220) Lockwasher 3/8 1951-20th Sr.	2
	358184	1951-20th Sr.	x		7241	(50.003) Screw 1951-2000-1-1A-10-11-20-1	4
5.1710		GUIDE, Valve stem (cylinder)			6454	(50.003) Screw 3/8-16 x 1-3/4 2003-3A-4-5-6-7-8-23-55	4
	364391	(Exhaust) 1951-2000-1-1A-10-11-20-1	x		302770	(50.660) Washer 1951-20th Sr.	2
	348608	(Exhaust) 2003-3A-4-5-6-7-8-23-55	8	5.1901		GASKET, Water pump assembly	
	348607	(Intake) 1951-2000-1-1A-10-11-20-1	x		320605	1951-20th Sr.	1
	348609	(Intake) 2003-3A-4-5-6-7-8-23-55	8				
5.1711		TAPPET, Valve					
	341311	(Std.) 1951-2000-1-1A-10-11-20-1	x				
	351718	(.001 over) 1951-2000-1-1A-10-11-20-1	x				
	351719	(.002 over) 1951-2000-1-1A-10-11-20-1	x				
	351720	(.005 over) 1951-2000-1-1A-10-11-20-1	x				
	373345	(Std.) 2003-3A-4-5-6-7-8-23-55	16				
5.1712		SCREW, Valve tappet adjusting					
	341310	(Self-locking) 1951-2000-1-1A-10-11-20-1	x				

INDEX NO.	PART NO.	DESCRIPTION AND MODELS	PER CAR	INDEX NO.	PART NO.	DESCRIPTION AND MODELS	PER CAR
WATER PUMP AND FAN—Continued				MUFFLER			
5.1902	REPAIR KIT, Water pump 98732 1951-20th Sr.	1	6.000	MUFFLER ASSEMBLY, Exhaust 377555 2000-10-20	1		
5.1907	BODY, Water pump 351090 1951-20th Sr.	1	377549 1951-2001-1A-11-21	1			
	6721 (50.270) Plug 3/8-18	1	373840 2003-6	1			
			377538 2003A-4-5-7-8-23-55	1			
5.1909	COVER, Water pump 351091 1951-20th Sr.	1	6.001	TUBE, Muffler outlet 371453 1951	1		
	5504 (50.220) Lockwasher 5/16	3	378062 2000-1-10-11	1			
	7005 (50.100) Nut 5/16-24	3	348926 2001A	1			
	324135 (50.003) Screw 5/16-24 x 1-1/2	3	373868 2003-6	1			
5.1910	GASKET, Water pump cover 320585 1951-20th Sr.	1	356517 2003A	1			
5.1912	IMPELLER, Water pump 335193 1951-20th Sr.	1	356581 2004-7	1			
5.1916	PACKING AND SPRING GUIDE ASSY., Water pump seal 356479 1951-20th Sr.	1	348136 2005-8-55	1			
5.1918	RETAINER, Water pump seal 319645 1951-20th Sr.	1	356570 2020-21	1			
5.1919	SPRING, Water pump seal 351548 1951-20th Sr.	1	348135 2023	1			
5.1921	THRUST WASHER, Water pump seal 351549 1951-20th Sr.	1	367105 2030	1			
5.1922	SHAFT AND BEARING ASSEMBLY, Water pump 362027 1951-20th Sr.	1	6.002	BRACKET ASSEMBLY, Muffler outlet tube 373725 (Rear) 1951-2000-1-3-6-10-11	1		
5.1923	LOCK, Water pump shaft bearing 320625 1951-20th Sr.	1	326818 2001A-20-1	1			
5.1926	HUB, Water pump shaft fan 354151 1951	1	348090 2003A-4-5-7-8-23-55	2			
	317914 2000-1-1A-10-11-20-1	1	324668 (Intermediate) 2001A	1			
	341547 2003-3A-4-5-6-7-8-23-55	1	348109 (Intermediate) 2003A	1			
5.1927	SLINGER, Water pump shaft water 335171 1951-20th Sr.	1	5504 (50.220) Lockwasher 5/16 2001A-3A-4-5-7-8-20-1-3-55	x			
5.1928	FAN 348875 1951-2000-1-1A-10-11-20-1	1	7005 (50.100) Nut 5/16-24 2001A-3A-4-5-7-8-20-1-3-55	x			
	334513 2003-3A-4-5-6-7-8-23-55	1	315970 (50.400) Rivet (rear) 2000-1-3-6-10-11	x			
	5502 (50.220) Lockwasher 1/4 1951-2000-1-1A-10-11-20-1	4	4173 (50.400) Rivet 5/16 x 5/8 (rear) 1951-2000-1-3-6-10-11	1			
	5504 (50.220) Lockwasher 5/16 2003-3A-4-5-6-7-8-23-55	4	7385 (50.003) Screw 5/16-24 x 1-1/4 2001A-3A-4-5-7-8-20-1-3-55	x			
	7868 Screw 1/4-20 x 3/4 hex. hd. 1951	4	7809 (50.003) Screw 5/16-24 x 7/8 (To frame) 2001A-3A-4-5-7-8-20-1-3-55	x			
	7824 (50.003) Screw 1/4-28 x 5/8 2000-1-1A-10-11-20-1	4	302714 (50.200) Washer 5/16 2001A-3A-4-5-7-8-20-1-3-55	x			
	7861 (50.003) Screw 5/16-24 x 1 2003-3A-4-5-6-7-8-23-55	1	3909 (50.200) Washer 5/16 (To frame) 2001A-3A-4-5-7-8-20-1-3-55	x			
5.1929	BELT, Fan 320517 1951-2000-1-1A-10-11-20-1	1	6.004	INSULATOR, Muffler outlet tube bracket 373723 1951	1		
	351106 2003-3A-4-5-6-7-8-23-55	1	379073 (Rear) 2000-1-3-6-10-11	1			
5.1930	PULLEY, Fan 362028 1951-2000-1-1A-10-11-20-1	1	315932 2001A-3A-4-5-7-8-20-1-3-55	1			
	362030 2003-3A-4-5-6-7-8-23-55	1	315970 (50.400) Rivet 1951-2001A-3A-4-5-7-8-20-1-3-55	x			
			6.005	CLAMP, Muffler outlet tube 333478 1951-2000-1-1A-10-11-20-1	1		
			333477 2003-3A-4-5-7-8-55	1			
			333478 (Rear) 2000-1-10-11	1			
			335270 (Rear) 2003-6	1			
			7305 (50.100) Nut 5/16-18	2			
			333486 (50.091) "U" Bolt 1951-2000-1-1A-10-11-20-1	1			
			335261 (50.091) "U" Bolt 2003-6	1			
			333485 (50.091) "U" Bolt 2003A-4-5-7-8-23-55	1			
			6.0053	SUPPORT ASSEMBLY, Exhaust muffler outlet tube support rear 373725 1951-2000-1-10-11	1		
			373848 2003-6	1			
			5506 (50.220) Lockwasher 3/8	1			
			7306 (50.100) Nut 3/8-16	1			
			6689 (50.003) Screw 3/8-16 x 3/4 (To frame)	1			
			6.006	REPAIR EQUIPMENT, Muffler 351999 1951-20th Sr.	1		
			6.008	BRACKET AND CLAMP ASSEMBLY, Muffler support 371928 1951-2000-1-10-11	1		
			333490 2001A-20-1	1			
			373847 2003-6	1			
			348234 2003A-5-8-55	1			
			348124 2004-23	1			



MUFFLER AND EXHAUST PIPE

EXHAUST

INDEX NO.	PART NO.	DESCRIPTION AND MODELS	PER CAR	INDEX NO.	PART NO.	DESCRIPTION AND MODELS	PER CAR
MUFFLER—Continued				PIPE—Continued			
6.008		BRACKET AND CLAMP ASSEMBLY, Muffler support (Cont'd)		6.1017		SUPPORT, Exhaust pipe bracket	
	333486 (50.091)	"U" Bolt (To tube) 1951-2000-1-10-11	1	379077	1951-2000-1-10-11	1
	333485 (50.091)	"U" Bolt (To tube) 2003-6	1	6.102		SPACER, Pipe bracket to flywheel housing cover lower assembly	
	7305 (50.100)	Nut 5/16-18	2	333976	1951-2000-1-1A-3-6-10-11	1
	5504 (50.220)	Lockwasher 5/16 2001A-3A-4-5-7-8-20-1-3-55	2	6.1025		SUPPORT ASSEMBLY, Pipe bracket	
	7795 (50.000)	Screw 5/16-3/4 hex. hd. tapping 1951	2	379079	1951-2000-1-10-11	1
	371914 (50.000)	Nut 5/16-12 Spl. 1951	2	5506 (50.220)	Lockwasher 3/8	1
	7005 (50.100)	Nut 5/16-24 2001A-3A-4-5-7-8-20-1-3-55	2	7244	Screw 3/8-16 x 7/8	1
	315970 (50.400)	Rivet 2000-1-3-6-55	1	7320	Washer 3/8	1
	7809 (50.003)	Screw 5/16-24 x 7/8 2001A-3A-4-5-7-8-20-1-3-55	2	6.103		CLAMP, Pipe (to muffler)	
	3909 (50.200)	Washer 5/16 2001A-3A-4-5-7-8-20-1-3-55	1	364553	2000-10-20	1
6.010		INSULATOR, Muffler support bracket		364554	1951-2001-4A-11-21	1
	373719	1951-2000-1-3-6-10-11	1	364555	2003-3A-4-5-6-7-8-23-55	1
	300436	2001A-3A-4-5-7-8-20-1-3-55	1	333485 (50.091)	"U" Bolt 2000-10-20	1
	315970 (50.400)	Rivet 1951	1	333484 (50.091)	"U" Bolt 1951-2001-1A-20-1	1
	5504 (50.220)	Lockwasher 5/16 2001A-3A-4-5-7-8-20-1-3-55	2	348110 (50.091)	"U" Bolt 2003-3A-4-5-6-7-8-23-55	...	1
	5506 (50.220)	Lockwasher 3/8 2001A-3A-4-5-7-8-20-1-3-55	1	7305 (50.100)	Nut 5/16-18	2
	371914 (50.100)	Nut 5/16-12 (To frame screw) 2000-1-3-6-10-11	2	6.1035		DOWEL, Pipe clamp (to muffler)	
	7005 (50.100)	Nut 5/16-24 plain 2001A-3A-4-5-7-8-20-1-3-55	2	364604	1951-20th Sr.	1
	7006 (50.100)	Nut 3/8-24 2001A-3A-4-5-7-8-20-1-3-55	1	6.104		COVER, Exhaust pipe	
	7795 (50.300)	Screw 5/16 x 3/4 (To frame) 2000-1-3-6-10-11	2	354451	RHD 2003A-4-5-7-8-23-55	1
	7819 (50.003)	Screw 3/8-24 x 1 2001A-3A-4-5-7-8-20-1-3-55	1	326772	RHD 2020	1
	7809 (50.003)	Screw 5/16-24 x 7/8 plain 2001A-3A-4-5-7-8-20-1-3-55	2	6.105		CLAMP, Pipe cover	
	3909 (50.200)	Washer 5/16 2001A-3A-4-5-7-8-20-1-3-55	2	141532	RHD (3/4") 2003A-4-5-7-8-20-3-55	2
	5049 (50.200)	Washer 3/8 2001A-3A-4-5-7-8-20-1-3-55	1	6.106		EXTENSION, Pipe	
				311997	1951	1
				367630	(Chrome) 2003-4-5-6-7-8-23-55	1
				▲382395	(Painted) 2003-6	1
				6.107		FLANGE, Pipe	
				330800	2000-10-20	1
				330807	1951-2001-1A-20-1	1
				223185	2003-3A-4-5-6-7-8-23-55	1
				6708 (50.100)	Nut 3/8-24 2003-3A-4-5-6-7-23-55	..	4
				373186 (50.003)	Screw 3/8-16 x 1-3/8 1951-2000-1-1A-10-11-20-1	2
				373187 (50.003)	Screw 3/8-24 x 1-3/8 2003-3A-4-5-6-7-8-23-55	4
				5.108		GASKET, Pipe flange	
				315157	2000-10-20	1
				300414	1951-2001-1A-11-21	1
				141535	2003-3A-4-5-6-7-8-23-55	1
6.100		PIPE ASSEMBLY, Exhaust					
	371346	LHD 2000-10	1				
	378920	LHD 1951-2001-11	1				
	348928	2001A-21	1				
	373866	LHD 2003-6	1				
	348336	2003A-4-5-7-8-23-55	1				
	333469	LHD 2020	1				
	378785	RHD 2000-10	1				
	378539	RHD 2001-11	1				
	333792	RHD 2020	1				
6.1003		PIPE AND COVER ASSEMBLY, Exhaust					
	354443	RHD 2003A-4-5-7-8-23-55	1				
6.101		BRACKET, Pipe					
	371512	1951	1				
	379081	LHD 2000-10	1				
	379002	LHD 2001-11	1				
	324229	2001A-21	1				
	373852	LHD 2003-6	1				
	348499	2003A-4-5-7-8-23-55	1				
	324254	2020	1				
	5504 (50.220)	Lockwasher 5/16	1				
	7005 (50.100)	Nut 5/16-24	1				
	7386 (50.003)	Clamp Screw 5/16-24 x 2-1/4	1				
6.1015		SPACER, Pipe bracket clamp screw					
	316442	1951-20th Sr.	1				

*Used on Clipper Four Door Sedans built after Jan. 1, 1942 only. All other body types have chrome trim.

FENDERS AND RUNNING BOARDS

7.000 - 7.00795

INDEX NO.	PART NO.	DESCRIPTION AND MODELS	PER CAR	INDEX NO.	PART NO.	DESCRIPTION AND MODELS	PER CAR
FRONT				FRONT—Continued			
7.000	FENDER ASSEMBLY, Front			7.004	SPACER, Front fender brace insulator (to frame)		
	370320 Right 1951		1		326640 2001A-3A-4-5-7-8-20-1-3-55		2
	378955 Right 2000-1		1	7.005	BRACKET ASSEMBLY, Front fender		
	373769 Right 2001A-3A-4-5-7-8-21-3		1		356379 Right 2001A-3A-4-5-7-8-20-1-3-55		1
	373770 Right (With well) 2001A-3A-4-5-7-8-21-23		1		356378 Left 2001A-3A-4-5-7-8-20-1-3-55		1
	380054 Right 2003-6		1		3874 (50.200) Spacer		2
	378975 Right 2010-11		1	7.0051	BRACKET, Front fender		
	377311 Right 2020		1		372448 Right (To gravel shield) 2000-1-3-6-10-11		1
	378672 Right 2030		1		370330 Right (To body sill) 1951-2000-1-3-6-10-11		1
	379565 Right (With well) 2055		1		372449 Left (To gravel shield) 2000-1-3-6-10-11		1
	377852 Right 2055		1		370331 Left (To body sill) 1951-2000-1-3-6-10-11		1
	370321 Left 1951		1		372334 (To body-upper) 1951-2001-3-6-10-11		2
	378954 Left 2000-1		1		5502 (50.220) Lockwasher 1/4		2
	373768 Left 2001A-3A-4-5-7-8-21-3		1		5504 (50.220) Lockwasher 5/16		2
	373771 Left (With well) 2001A-3A-4-5-7-8-21-23		1		7004 (50.100) Nut 1/4-28		2
	380055 Left 2003-6		1		7372 (50.003) Screw 1/4-28 x 5/8		2
	378974 Left 2010-1		1		7376 (50.003) Screw 5/16-18 x 1		2
	377310 Left 2020		1		7319 (50.200) Washer 1/4		2
	378671 Left 2030		1		3874 (50.200) Washer 5/16		2
	377851 Left 2055		1	7.0071	GRAVEL SHIELD, Front fender		
	379564 Left (With well) 2055		1		371646 Right 1951-2000-1-3-6-10-11		1
	7944 (50.050) Bolt 5/16-18 carriage (to body)				371647 Left 1951-2000-1-3-6-10-11		1
	1951		8	7.0072	BRACE, Front fender gravel shield		
	7943 (50.050) Bolt 5/16-18 2000-1-3-6-10-11		8		373576 Right 1951-2000-1-3-6-10-11		1
	7379 (50.003) Bolt 5/16-24 x 5/8 2001A-3A-4-5-7-8-20-1-3-55		2		373575 Left 1951-2000-1-3-6-10-11		1
	5502 (50.220) Lockwasher 1/4 1951-20th Sr.		x		5502 (50.220) Lockwasher 1/4		2
	5504 (50.220) Lockwasher 5/16 1951-20th Sr.		x		7372 (50.003) Screw 1/4-28 x 5/8		2
	7305 (50.100) Nut 5/16-18 1951-2000-1-3-6-10-11		x		371590 (50.008) Screw #14 x 3/4		2
	7004 (50.100) Nut 1/4-28 1951-20th Sr.		x		7319 (50.200) Washer 1/4		2
	7005 (50.100) Nut 5/16-24 2001A-3A-4-5-7-8-20-1-3-55		8	7.0075	GRILLE, Front fender		
	7125 (50.003) Screw 1/4-28 x 5/8 2000-1-3-6-10-11		4		371228 Right 1951		1
	7804 (50.003) Screw 5/16-18 x 3/4 2000-1-3-6-10-11		4		378921 Right (Chrome) 2000-1-3-6-10-11		1
	7936 (50.003) Screw 5/16-18 x 1 hex. hd. (to body upper) 1951		2		379896 Right (Prime) 2000-1-3-6-10-11		1
	7376 (50.003) Screw 5/16-18 x 1 2000-1-3-6-10-11		2		373779 Right 2001A-3A-4-5-7-8-20-1-3-55		1
	7371 (50.003) Screw 1/4-28 x 5/8 hex. hd. 1951		x		371229 Left 1951		1
	7249 (50.003) Screw 1/4-28 x 3/4 2001A-3A-4-5-7-8-20-1-3-55		x		378922 Left (Chrome) 2000-1-3-6-10-11		1
	6442 (50.200) Washer 1951-2000-1-3-6-10-11		2		379897 Left (Prime) 2000-1-3-6-10-11		1
	6359 (50.200) Washer 5/16 1951-20th Sr.		8		373778 Left 2001A-3A-4-5-7-8-20-1-3-55		1
	7319 (50.200) Washer 1/4 1951-20th Sr.		x		5502 (50.220) Lockwasher 1/4 20th Sr.		x
7.0002	CLIP, Front fender to body attaching				7125 (50.003) Screw 1/4-28 x 5/8 20th Sr.		x
	370049 1951-2000-1-3-6-10-11		8		7129 (50.003) Screw 1/4-20 x 1/2 2000-1-3-6-11		18
7.001	WASHER, Front fender assembly to body reinforcing				341557 Screw #12-11 x 1/2 2001A-3A-4-5-7-8-20-21-23-55		x
	335759 2001A-3A-4-5-7-8-20-1-3-55		x		341548 Speed nut #12-11 2001A-3A-4-5-7-8-20-21-23-55		x
7.0013	SEAL, Front fender to body screw				7319 (50.200) Washer 1/4 20th Sr.		x
	363139 2000-1-3-6-10-11		10	7.0077	BLADE, Front fender grille		
7.0015	"U" BOLT, Front fender assembly to fender bracket				373781 Right 2001A-3A-4-5-7-8-20-1-3-55		4
	356922 2001A-3A-4-5-7-8-20-1-3-55		2		373783 Right lower 2001A-3A-4-5-7-8-20-1-3-55		1
	5504 (50.220) Lockwasher 5/16		4		373780 Left 2001A-3A-4-5-7-8-20-1-3-55		4
	7005 (50.100) Nut 5/16-24		4		373782 Left lower 2001A-3A-4-5-7-8-20-1-3-55		1
	356923 Washer 1-1/4 x 2-13/16		2	7.0079	FRAME ASSEMBLY, Front fender grille blade		
7.002	BRACE, Front fender (to frame)				373789 Right (Side inner) 2001A-3A-4-5-7-8-20-1-3-55		1
	320888 2001A-3A-4-5-7-8-20-1-3-55		2		377219 Right (Side outer) 2001A-3A-4-5-7-8-20-1-3-55		1
	378382 Right 2003-6		1		373785 Right (Top) 2001A-3A-4-5-7-8-20-1-3-55		1
	378381 Left 2003-6		1		373788 Left (Side inner) 2001A-3A-4-5-7-8-20-1-3-55		1
	232363 (50.080) Screw 5/16-18 x 7/8 2001A-3A-4-5-7-8-20-1-3-55		2		377218 Left (Side outer) 2001A-3A-4-5-7-8-20-1-3-55		1
	326546 (50.200) Washer 5/16 2001A-3A-4-5-7-8-20-1-3-55		2		373784 Left (Top) 2001A-3A-4-5-7-8-20-1-3-55		1
7.003	INSULATOR, Front fender brace (to frame)			7.00795	MOULDING, Front fender grille extension		
	324851 2001A-3A-4-5-7-8-20-1-3-55		2		Note:- Longest Developed Length Is #1 Top Position.		
	326541 (50.945) Washer		2		378863 Right #1-13-15/32" (Chrome) 2003-6		1

*Used on Clipper Four Door Sedans built after Jan. 1, 1942 only. All other body types have chrome trim.

INDEX NO.	PART NO.	DESCRIPTION AND MODELS	PER CAR	INDEX NO.	PART NO.	DESCRIPTION AND MODELS	PER CAR
FRONT -Continued				FRONT-Continued			
7.00795		MOULDING, Front fender grille extension (Cont'd)		7.011		SPLASHER ASSEMBLY, Front fender (Cont'd)	
*379913	Right #1-13-15/32"	(Prime) 2003-6	1	358258	Left Front 2001A-21	1
378865	Right #2-12-9/16"	(Chrome) 2003-6	1	358266	Left front 2003A-4-5-7-8-23-55	1
*379915	Right #2-12-9/16"	(Prime) 2003-6	1	358310	Left Rear 2001A-3A-4-5-7-8-55	1
378867	Right #3-11-13/16"	(Chrome) 2003-6	1	378632	Left lower 2000-1-10-11	1
*379917	Right #3-11-13/16"	(Prime) 2003-6	1	373418	Left lower 1951-2003-6	1
378869	Right #4-10-61/64"	(Chrome) 2003-6	1	378650	Left upper 2000-1-10-11	1
*379919	Right #4-10-61/64"	(Prime) 2003-6	1	373453	Left upper 1951-2003-6	1
379493	Right #5-10-19/64"	(Chrome) 2003-6	1	362037	Left 2020	1
*379921	Right #5-10-19/64"	(Prime) 2003-6	1	362049	Left Rear 2021-3	1
378861	Right #1-14-15/32"	(Chrome) 2010-11	1	5502	(50.220) Lockwasher 1/4 1951-20th Sr.	x
*379910	Right #1-14-15/32"	(Prime) 2010-11	1	7004	(50.100) Nut 1/4-28 1951-2000-1-3-6-10-11	8
378863	Right #2-13-15/32"	(Chrome) 2010-11	1	303939	(50.080) Screw 5/16-18 1951-2000-1-10-11	x
*379913	Right #2-13-15/32"	(Prime) 2010-11	1	7372	(50.003) Screw 1/4-28 x 5/8 1951-2000-1-3-6-10-11	8
378865	Right #3-12-9/16"	(Chrome) 2010-11	1	371590	(50.080) Screw #14 x 3/4 1951-2000-1-3-6-10-11	4
*379915	Right #3-12-9/16"	(Prime) 2010-11	1	7097	(50.003) Screw 1/4-28 x 1/2 2001A-3A-4-5-7-8-21-3-55	4
378867	Right #4-11-13/16"	(Chrome) 2010-11	1	325724	(50.003) Screw 5/16-10 x 7/8 2001A-3A-4-5-7-8-20-1-3-55	2
*379917	Right #4-11-13/16"	(Prime) 2010-11	1	7543	(50.300) Screw #14 x 3/8 2001A-3A-4-5-7-8-20-1-3-55	4
378869	Right #5-10-61/64"	(Chrome) 2010-11	1	303939	(50.080) Screw 5/16-18 2003-6	7
*379919	Right #5-10-61/64"	(Prime) 2010-11	1	377358	Screw #10 x 5/8 2003-6	2
378862	Left #1-13-15/32"	(Chrome) 2003-6	1	356316	Washer 5/16 2001A-3A-4-5-7-8-20-1-3-55	2
*379912	Left #1-13-15/32"	(Prime) 2003-6	1	7319	(50.200) Washer 1/4 1951-20th Sr.	x
378864	Left #2-12-9/16"	(Chrome) 2003-6	1	7330	(50.200) Washer #10 2003-6	2
*379914	Left #2-12-9/16"	(Prime) 2003-6	1	7.0115	SEAL, Front fender splasher battery		
378866	Left #3-11-13/16"	(Chrome) 2003-6	1	377174	Lower 2000-1-10-11	1
*379916	Left #3-11-13/16"	(Prime) 2003-6	1	373728	Lower 1951-2003-6	1
378868	Left #4-10-61/64"	(Chrome) 2003-6	1	377171	Upper - long 2000-1-10-11	1
*379918	Left #4-10-61/64"	(Prime) 2003-6	1	373730	Upper - long 1951-2003-6	1
379492	Left #5-10-15/64"	(Chrome) 2003-6	1	373731	Upper - short 1951-2000-1-3-6-10-11	2
*379920	Left #5 10 15/64"	(Prime) 2003-6	1	7.0116	EXTENSION, Front fender splasher lower		
378860	Left #1-14-15/32"	(Chrome) 2010-11	1	373680	2000-1-10-11	2
*379910	Left #1-14-15/32"	(Prime) 2010-11	1	373681	1951-2003-6	2
378862	Left #2-13-15/32"	(Chrome) 2010-11	1	5500	(50.220) Lockwasher #10	6
*379912	Left #2-13-15/32"	(Prime) 2010-11	1	5772	(50.000) Screw #10-32 x 3/8	6
378864	Left #3-12-9/16"	(Chrome) 2010-11	1	7003	(50.100) Nut #10-32	6
*379914	Left #3-12-9/16"	(Prime) 2010-11	1	7330	(50.200) Washer	6
378866	Left #4-11-13/16"	(Chrome) 2010-11	1	7.0135	FILLER ASSEMBLY, Front fender splasher front		
*379916	Left #4-11-13/16"	(Prime) 2010-11	1	358347	Right 2001A-21	1
378868	Left #5-10-61/64"	(Chrome) 2010-11	1	358351	Right 2003A-4-5-7-8-23-55	1
*379918	Left #5-10-61/64"	(Prime) 2010-11	1	358343	Right 2020	1
7003	(50.100) Nut #10-32 2003-6-10-11	32	358346	Left 2001A-21	1
379069	(50.003) Screw & Retainer 2003-6	10	358350	Left 2003A-4-5-7-8-23-55	1
378896	(50.003) Screw & Retainer 2010-11	32	358342	Left 2020	1
378896	(50.003) Screw & Retainer 2003-6	22	358633	(50.150) Nut 2001A-20-1	2
7330	(50.200) Washer 2003-6-10-11	32	7.015	SEAL, Front fender splasher		
378897	(50.945) Washer (Rubber) 2003-6-10-11	32	358262	Front 2003A-4-5-7-8-23-55	2
7.009	LINER, Front fender			362730	Front 2001A-20-1	2
372943	(To hinge pillar) 1951	2	358263	Front (Intermediate) 2001A-3A-4-5-7-8-20-1-3-55	2
375496	(To body pillar) 2000-1-3-6-10-11	2	362607	Front (Rear) 2001A-3A-4-5-7-8-21-3-55	2
358228	(To body) 2001A-3A-4-5-7-8-20-1-3-55	2	377171	Front (Upper left) 2000-1-10-11	1
373772	(To bonnet side) 2001A-3A-4-5-7-8-21-3-55	2	373726	Front (Upper left) 1951-2003-6	1
377282	(To bonnet side) 2020	2	377172	Front (Upper right) 2000-1-10-11	1
358229	Lower (To rad.lower shell) 2001A-3A-4-5-7-8-20-1-3-55	2	373548	(To radiator cradle) 1951-2003-6	2
373773	(To rad.lower shell at grille) 2001A-3A-4-5-7-8-20-1-3-55	2	362590	Rear 2001A-3A-4-5-7-8-21-3-55	2
7.0105	REINFORCEMENT ASSEMBLY, Front fender parking lamp			362593	Rear 2020	2
356957	2001A-3A-4-5-7-8-20-1-3-55	2	373727	Rear (Upper right) 1951-2003-6	1
7.0106	SPACER, Front fender parking reinforcement			373729	Rear (Upper left) 1951-2003-6	1
356956	2001A-3A-4-5-7-8-20-1-3-55	2	367491	(50.600) Clip 2001A-3A-4-5-7-8-20-1-3-55	6
7.011	SPLASHER ASSEMBLY, Front fender			6327	(50.425) Rivet 9/64 x 3/8 (Long) 2001A-3A-4-5-7-8-20-1-3-55	2
358311	Right Rear 2001A-3A-4-5-7-8-21-3-55	1	5996	(50.425) Rivet (Short) 9/64 x 1/4 2001A-3A-4-5-7-8-20-1-3-55	x
358259	Right front 2001A-21	1	101200	(50.200) Washer 2001A-3A-4-5-7-8-20-1-3-55	x
358267	Right front 2003A-4-5-7-8-23-55	1				
378633	Right lower 2000-1-10-11	1				
373419	Right lower 1951-2003-6	1				
378651	Right upper 2000-1-10-11	1				
373732	Right upper 1951-2003-6	1				
358142	Right 2020	1				

▲ Used on Clipper Four Door Sedans built after Jan. 1, 1942 only. All other body types have chrome trim.

FENDERS AND RUNNING BOARDS

7.016 - 7.103

INDEX NO.	PART NO.	DESCRIPTION AND MODELS	PER CAR	INDEX NO.	PART NO.	DESCRIPTION AND MODELS	PER CAR
FRONT—Continued				REAR—Continued			
7.016	SEAL	Front fender splasher shock absorber		7.100	FENDER ASSEMBLY, Rear	{Cont'd}	
	373159	1951-2000-1-3-6-10-11	2	363216	Right	2004-7-20-1-3	1
	324701	2001A-3A-4-5-7-8-20-1-3-55	2	357422	Right	2001A-3A-2005-8	1
7.0165	RETAINER	Front fender splasher shock absorber		366134	Right	2030-55	1
	373158	Short 1951-2000-1-3-6-10-11	2	370588	Right	(Welded Assembly) (Use on 1502-12-22-72-82-92) 1951-2000-1-3-6-10-11	1
	373291	Long 1951-2000-1-3-6-10-11	2	926004	Right	(Welded Assembly) (Use on 1585-95) 2000-1-	1
	5996	(50.425) Rivet 9/64 x 1/4	16	926038	Right	(Welded Assembly) (Use on 1588-98) 2000-1	1
7.0166	SUPPORT	Front fender splasher shock absorber seal		926052	Right	(Welded Assembly) (Use on 1505-15-25-75-) 2003-6-10-11	1
	373529	Right 1951-2000-1-3-6-10-11	1	369013	Left	(Outer stamping only) (Use on 1502-12-22-72-82-92) 1951-2000-1-3-6-10-11	1
	373325	Left 1951-2000-1-3-6-10-11	1	366963	Left	(Outer stamping only) (Use on 1505-15-25-75-85-95) 2000-1-3-6-10-11	1
	6327	(50.425) Rivet 9/64 x 3/8	4	375251	Left	(Outer stamping only) (Use on 1588-98-) 2000-1	1
	303939	(50.080) Screw 5/16-18 x 9/16	2	925299	Left	2004-7-20-1-3	1
	7934	(50.300) Screw #8 x 1/2 tapping	4	925294	Left	2001A-3A-2005-8	1
	101200	(50.200) Washer	4	900440	Left	2030-55	1
7.019	VENT	Front fender splasher		370589	Left	(Welded Assembly) (Use on 1502-12-22-72-82-92) 1951-2000-1-3-6-10-11	1
	362865	2001A-3A-4-5-7-8-20-1-3-55	2	926003	Left	(Welded Assembly) (Use on 1585-95) 2000-1	1
7.021	TRIM STRIP	Front fender		926039	Left	(Welded Assembly) (Use on 1588-98) 2000-1	1
	362743	2001A-3A	4	926053	Left	(Welded Assembly) (Use on 1505-15-25-75) 2003-6-10-11	1
	362743	2004-5-7-8-21-3	8	6839	Bolt	5/16-18 x 7/8 2005-8-55	4
	362742	2020	8	7305	(50.100) Nut	5/16-18 2005-8-30-55	4
	362744	(Long) 2001A-3A	2	325724	Screw	5/16-10 x 7/8 Hex. hd. 2004-5-7-8-20-1-3-30-55	x
	362745	(Medium) 2001A-3A	1	349237	Screw Cap	2004-5-7-8-20-1-3-30-55	10
	362746	(Short) 2001A-3A	1	363139	Screw Gasket	2004-5-7-8-20-1-3-30-55	x
	362744	Long (Side carrier) 2001A-3A	2	325770	Speednut	5/16-10 2004-5-7-8-20-1-3	x
	362744	Long (Side carrier) 2004-5-7-8-21-3	4	6442	Washer	5/16 2004-5-7-8-20-1-3-30-55	22
	362745	Medium (Side carrier) 2001A-3A	1	3622	Washer	7/16 2005-8-30-55	4
	362745	Medium (Side carrier) 2004-5-7-8-21-3	2	7.101	LID ASSEMBLY, Rear fender gasoline filler		
	362746	Short (Side carrier) 2001A-3A	1	372458	(Use without lock)	1951-2000-1-3-6-10-11	1
	362746	Short (Side carrier) 2004-5-7-8-21-3	2	372110	(Use with lock)	1951-2000-1-3-6-10-11	1
7.0215	SCREW	Front fender trim strip attaching		366332	2004-5-7-8-20-1-3-30-55		1
	356439	2001A-3A	8	6056	(50.230) Lockwasher #10		3
	5935	(50.230) Lockwasher #10 internal	x	7003	(50.100) Nut #10/32		3
	7003	(50.100) Nut #10-32	x	5739	(50.003) Screw #10-32 x 1/2		3
7.0216	CLIP	Front fender trim strip		7.102	BUMPER, Rear fender gasoline filler lid		
	331916	2001A-3A	32	357434	1951-20th Sr.		2
	331916	(Side carrier) 2001A-3A-4-5-7-8-21-3	36	7.1023	HINGE ASSEMBLY, Rear fender gasoline filler lid		
7.0217	FASTENER	Front fender trim strip moulding		372458	1951-2000-1-3-6-10-11		1
	331916	2001A-3A-4-5-7-8-20-1-3	x	366335	2004-5-7-8-20-1-3-20-55		1
REAR				7.1025	PIN, Rear fender gasoline filler lid hinge		
<p>Rear fenders will be furnished as outer stamping only, also as outer stamping with wheel housing welded on for the 20th series Clipper type cars.</p> <p>Price Quotations for fender repairs or fender price comparisons should be quoted on piece numbers covering the outer stamping only.</p> <p>Rear Fender--Outer Stamping Only--This is the outside fender panel only--extending below the belt moulding, from the rear door opening to the trunk lid opening, DOES NOT include the inner wheel housing panel or rear gravel shield.</p> <p>Rear Fender--Welded Assembly. This is the outer stamping described above but with the wheel housing panel and gravel shield welded in position--the wheel housing panel being that panel which also serves as the trunk compartment side wall</p>				357432	1951-20th Sr.		1
7.100	FENDER ASSEMBLY, Rear			7.1026	SPRING, Rear fender gasoline filler lid		
	369012	Right (Outer stamping only) (Use on 1502-12-22-72-82-92) 1951-2000-1-3-6-10-11	1	357433	Front 1951-20th Sr.		1
	366962	Right (Outer stamping only) (Use on 1505-15-25-75-85-95) 2000-1-3-6-10-11	1	359625	Rear 1951-20th Sr.		1
	375250	Right (Outer stamping only) (Use on 1588-98) 2000-1	1	7.1027	GUARD ASSEMBLY, Rear fender (front) gravel		
				359312	Right (Not used on 1552) 2004-7		1
				363630	Right 2020-1-3		1
				359313	Left (Not used on 1552) 2004-7		1
				363631	Left 2020-1-3		1
				5500	(50.220) Lockwasher		14
				7003	(50.100) Nut		14
				363077	Washer (To fender stud)		14
				7.103	GRAVEL SHIELD, Rear fender		
				372508	Right 1951-2000-1-3-6-10-11		1
				317316	Right 2004-7-20-1-3		1

FENDERS AND RUNNING BOARDS

INDEX NO.	PART NO.	DESCRIPTION AND MODELS	PER CAR
REAR—Continued			
7.103	GRAVEL SHIELD, Rear fender (Cont'd)		
	318944	Right 2005-8-30-55	1
	372539	Left (With seal) 1951-2000-1-3-6-10-11	1
	357492	Left 2004-7-20-1-3	1
	357493	Left 2005-8-30-55	1
	5502 (50.220)	Lockwasher 1/4 1951-20th Sr.	2
	7304 (50.100)	Nut 1/4-20 1951-2000-1-3-6-10-11	2
	7004 (50.100)	Nut 1/4-28 2004-5-7-8-20-1-3-30-55	2
	7478 (50.003)	Screw 1/4-20 x 1/2 hex. hd. 1951	4
	8066 (50.000)	Screw 2000-1-3-6-10-11	2
	7842 (50.003)	Screw 1/4-28 x 1-1/4 hex.hd. 2004-5-7-8-20-1-3-30-55	2
	303939 (50.080)	Screw 5/16-18 x 9/16 2004-5-7-8-20-1-3-30-55	4
	7319 (50.200)	Washer 1/4 20th Sr.	2
	326546 (50.200)	Washer 11/32 x 1-1/8 2004-5-7-8-20-1-3-30-55	2
	326541 (50.945)	Washer-Rubber 2004-5-7-8-20-1-3-30-55	2
7.1035	SEAL, Rear fender gravel shield		
	372495	1951-2000-1-3-6-10-11	1
	357461	Inner left 2004-5-7-8-20-1-3-30-55	1
	357460	Outer left 2004-7-20-1-3	1
	359013	Outer left 2005-8-30-55	1
7.104	INSULATION, Rear fender gravel shield screw		
	324851	2004-5-7-8-20-1-3-30-55	2
7.105	SPACER, Rear fender gravel shield screw		
	326640	2004-5-7-8-20-1-3-30-55	2
7.106	LINER, Rear fender (to body)		
	357885	2004-5-7-8-20-1-3-30-55	2
7.108	SHROUD ASSEMBLY, Rear fender		
	366652	Right 2003-6-10-11	1
	366653	Left 2003-6-10-11	1
7.1083	ANTI-RATTLER, Rear fender shroud		
	359684	Right 2003-6-10-11	1
	359685	Left 2003-6-10-11	1
7.1085	RETAINER, Rear fender shroud anti-rattler		
	359686	2003-6-10-11	2
7.1088	BRACKET, Rear fender shroud		
	359680	Right Front 2003-6-10-11	1
	359682	Right rear upper 2003-6-10-11	1
	359681	Left Front 2003-6-10-11	1
	366511	Left rear upper 2003-6-10-11	1
	366510	Rear lower 2003-6-10-11	2
	359683	Bolt	2
	5935 (50.230)	Lockwasher #10	2
	7336 (50.100)	Nut #10-24	2
	7330 (50.200)	Washer #10	2
7.117	TRIM STRIP, Rear fender		
	366320 (19-7/8")	2004-5-7-8-20-1-3	8
7.1175	CLIP, Rear fender trim strip		
	331916	2004-5-7-8-20-1-3	48
RUNNING BOARD			
Note:- For Floor Door Step Mat Assemblies Model 1951 Refer To Index Code 30.8055			
7.200	RUNNING BOARD ASSEMBLY		
	356803	Right 2001A-3A	1
	356795	Right 2004	1
	356797	Right 2005	1
	356799	Right 2007	1
	356801	Right 2008	1
	356641	Right 2020	1
	356643	Right 2021	1
	356645	Right 2023	1

INDEX NO.	PART NO.	DESCRIPTION AND MODELS	PER CAR
RUNNING BOARD—Continued			
7.200	RUNNING BOARD ASSEMBLY (Cont'd)		
	364617	Right 2030	1
	378504	Right 2055	1
	356802	Left 2001A-3A	1
	356794	Left 2004	1
	356796	Left 2005	1
	356798	Left 2007	1
	356800	Left 2008	1
	356640	Left 2020	1
	356642	Left 2021	1
	356644	Left 2023	1
	364616	Left 2030	1
	378503	Left 2055	1
	6900 (50.120)	Nut 5/16-24	x
	3909 (50.200)	Washer 5/16	x
7.203	BRACE, Bracket (to frame)		
	324184	(Front) 2001A-3A-4-5-7-8-20-1-3-55	2
	320967	(Rear and center) 2001A-3A-4-5-7-8-20-1-3-30-55	x
7.204	BRACKET ASSEMBLY, Running board		
	356745	Front 2001A-3A-4-5-7-8-20-1-3-55	2
	356748	Center 2001A-3A-4-5-7-8-55	2
	356755	Center right 2001A-3A-5-8-55	1
	356757	Center right 2004-7-30	1
	356754	Center left 2001A-3A-5-8-55	1
	356756	Center left 2004-7-30	1
	356747	Rear 2001A-3A-4-5-7-8-20-1-3-55	2
	356751	Rear right 2005-8-55	1
	356753	Rear Right 2020-1-3	1
	356750	Rear left 2005-8-55	1
	356752	Rear left 2020-1-3	1
	356749	Rear 2030	2
	6441 (50.400)	Rivet 3/8 x 7/8 2004-5-7-8-20-1-3-30-55	x
	7387 (50.003)	Bolt 3/8-24 x 7/8 2001A-3A	24
	5506 (50.220)	Lockwasher 3/8 2001A-3A	24
	7006 (50.100)	Nut 3/8-24 2001A-3A	24
	6900	Locknut 5/16-24 2030	4
	3909	Washer 2030	4
7.207	MOULDING, Running board (See Index 30.8135 for Clipper type moulding)		
	356493	(Top) (Intermediate - long) 2004-5-23	2
	364242	(Top) (Intermediate - long) 2007-8	2
	356492	(Top) (Intermediate - short) 2004-5-23	2
	364241	(Top) (Intermediate - short) 2007-8	2
	356482	(Top) (long) 2004	8
	356483	(Top) (long) 2005	8
	364238	(Top) (long) 2007	8
	364239	(Top) (long) 2008	8
	356481	(Top) (long) 2023	8
	356622	(Top) (Short) 2001A-3A-4-5-21-3	x
	364240	(Top) (Short) 2007-8	2
	364289	(Side) 2001A-3A	2
	364287	(Side) 2004-7	2
	364288	(Side) 2005-8-55	2
	364286	(Side) 2020-1-3	2
	364615	(Side) 2030	2
	364319 (50.500)	Clip (End side) 2001A-3A-4-5-7-8-20-1-3-55	4
	367119 (50.600)	Clip (Side) 2001A-3A-4-5-7-8-55	x
	364608 (50.600)	Clip (Side) 2020-1-3	12
	356504 (50.600)	Clip (Top) 2001A-3A-4-5-21-3	x
	356660 (50.600)	Clip (Top) 2007-8	x
	364724	Bolt 2030	10
	7305	Nut 5/16-18 2030	10
	5504	Lockwasher 5/16 2030	10
7.2075	CLIP SET, Running board moulding		
	98776 (2 Sides)	2004-5-7-8-20-1-3-55	1
	379464 (1 side)	2004-5-7-8-20-1-3-55	2

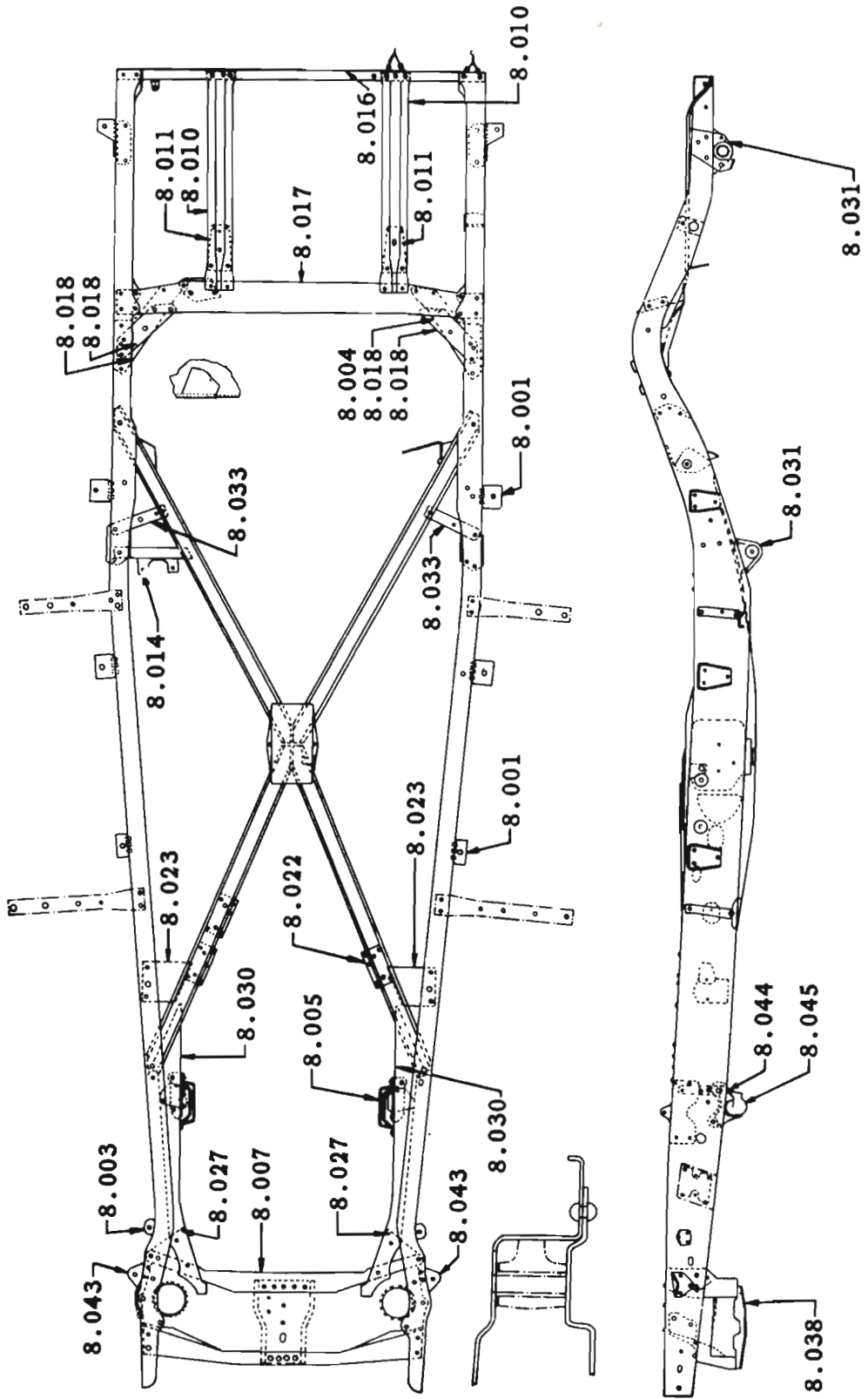
FENDERS RUNNING BOARDS AND FRAME

7.208 - 8.0075

INDEX NO.	PART NO.	DESCRIPTION AND MODELS	PER CAR	INDEX NO.	PART NO.	DESCRIPTION AND MODELS	PER CAR
RUNNING BOARD—Continued				FRAME			
7.208	DEFLECTOR, Running board rear fender pebble			8.000	FRAME ASSEMBLY		
	362338 2001A-3A-4-5-7-8-20-1-3-55		2	371190	1951		1
	7550 (50.300) Screw #8 x 1/2		4	373924	LHD 2000-1-10-11		1
7.2085	PLATE, Running board rear fender pebble deflector			356302	LHD 2001A		1
	362339 2001A-3A-4-5-7-8-20-1-3-55		2	377286	LHD 2003-6		1
7.209	RUNNING BOARD, Splasher equipment			362059	LHD 2003A		1
	364875 (Not used with side wheel carrier) 2004-7 ..		1	356339	LHD 2004-7		1
	364872 (Not used with side wheel carrier) 2020-1-3		1	356704	LHD 2005-8-55		1
	364876 (Use with side wheel carrier) 2004-7		1	364574	LHD 2020		1
	364874 (Use with side wheel carrier) 2021-3		1	362370	LHD 2021		1
7.210	SPLASHER ASSEMBLY, Running board			356194	LHD 2023		1
	356987 Right (Use with fender well) 2004-7		1	364573	2030		1
	356985 Right (Use with fender well) 2021-3		1	378845	RHD 2000-1-10-11		1
	356983 Right (Without fender well) 2004-7		1	356303	RHD 2001A		1
	356981 Right (Without fender well) 2020-1-3		1	362060	RHD 2003A		1
	356986 Left (Use with fender well) 2004-7		1	356338	RHD 2004-7		1
	356984 Left (Use with fender well) 2021-3		1	356705	RHD 2005-8-55		1
	356982 Left (Without fender well) 2004-7		1	364575	RHD 2020		1
	356980 Left (Without fender well) 2020-1-3		1	362371	RHD 2021		1
	5502 (50.220) Lockwasher 1/4		4	356193	RHD 2023		1
	7004 (50.100) Nut 1/4-28		4	8.001	BRACKET, Body hold down		
	7842 (50.003) Screw 1/4-28 x 1-1/4 (To fender) ..		8	371854	(#1) 1951-2000-1-3-6-10-11		2
	7698 (50.300) Screw #14 x 1/2 (To sill)		x	371855	(#2) 1951-2000-1-3-6-10-11		2
	354620 Washer 1/4		4	371852	(#3-4) 1951-2000-1-3-6-10-11		4
	7319 (50.200) Washer 1/4		8	373117	(#5) Right 1951-2000-1-3-6-10-11		1
	3870 (50.200) Washer 1/4		x	373116	(#5) Left 1951-2000-1-3-6-10-11		1
7.211	LINER, Running board splasher (to fender)			341969	(Scoop shape-5 holes) 2001A-3A-4-5-7-8-20-1-3-55		2
	364550 Front right 2004-7-20-1-3		1	358672	Right (L shape-4 holes) 2001A-3A-4-5-7-8-20-1-3-55		1
	364549 Front left 2004-7-20-1-3		1	358671	Left (L shape-4 holes) 2001A-3A-4-5-7-8-20-1-3-55		1
	362605 Rear 2004-7-20-1-3		2	341967	(Scoop shape-6 holes) 2001A-3A-5-8-55		2
7.212	BRACKET, Running board splasher gasoline line			362631	(Scoop shape-4 holes) 2001A-3A		2
	362039 Front 2004-7-20-1-3		1	341968	2004-7-20-1-3		4
	358493 Intermediate and rear 2004-7-20-1-3		x	341968	2005-8-55		2
	6441 (50.400) Rivet 3/8 x 7/8		x	8.002	BRACE, Body hold down bracket		
7.213	MOULDING, Running board splasher			341972	(Height 4-1/4") 2004-7-21-3-30		2
	364290 (Not used with fender well) 2004-7		2	341971	Right (Height 6-1/2") 2004-7-21-3-30		1
	364291 (Not used with fender well) 2020-1-3		2	338831	Right (Height 4-1/4") 2005-8-55		1
	364292 (Use with fender well) 2004-7		2	341974	Right (Height 6-1/2") 2005-8-55		1
	364293 (Use with fender well) 2021-3		2	341970	Left (Height 6-1/2") 2004-7-21-3-30		1
7.214	CLIP, Running board splasher moulding			333646	Left (Height 4-1/4") 2005-8-55		1
	367119 2004-7		12	341973	Left (Height 6-1/2") 2005-8-55		1
	364319 (End) 2004-7-20-1-3		4	8.003	BRACKET, Brake hose union		
	364320 2020-1-3		12	341937	Front 1951-2000-1-1A-3A-4-5-7-8-10-11-20-1-3-55		2
7.215	LINER, Running board splasher to sill			371179	Rear 1951-2000-1-3-6-10-11		1
	356945 Front 2004-7-20-1-3		2	354951	Rear 2001A-3A-4-5-7-8-10-11		1
	356946 Intermediate 2004-7		2	348667	Rear 2020-1-3		1
	356947 Short 2004-7		2	354951	Rear 2030		1
	356946 Rear 2020-1-3		2	8.005	BRACKET, Brake master cylinder		
				341938	2001A-3A-4-5-7-8-20-1-3-55		1
				8.0065	BRACKET ASSEMBLY, Engine stabilizer support		
				358999	Right 2003A-4-5-7-8-23-55		1
				358998	Left 2003A-4-5-7-8-23-55		1
				309958	Nut		4
				8.007	CHANNEL ASSEMBLY, Frame front		
				367851	1951		1
				373965	2000-1-10-11		1
				367181	2001A-3A-4-5-7-8-20-1-3-55		1
				373966	2003-6		1
				8.0075	BRACKET, Frame front suspension bumper		
				367494	1951-2000-1-3-6-10-11		2

FRAME

INDEX NO.	PART NO.	DESCRIPTION AND MODELS	PER CAR	INDEX NO.	PART NO.	DESCRIPTION AND MODELS	PER CAR
FRAME—Continued				FRAME—Continued			
8.010	SUPPORT ASSEMBLY, Gasoline tank			8.0231	MUT, Shock absorber bolt		
	371036 Right 1951-2000-1-3-6-10-11		1		309859 2001A-3A-4-5-7-8-55		8
	341917 Right 2001A-3A-4-5-7-8-21-3-30-55		1		341953 2020-1-3		6
	371037 Left 1951-2000-1-3-6-10-11		1				
	364629 Left 2001A-3A-4-5-7-8-20-1-3-30-55		1	8.0232	SPACER, Shock absorber (rear) bolt		
8.0105	CHANNEL, Frame gasoline tank support				348540 2001A-3A-4-5-7-8-21-3-30-55		2
	373018 1951-2000-1-3-6-10-11		1				
8.011	BRACKET, Gasoline tank support			8.024	BRACKET ASSEMBLY, Shock absorber (rear)		
	341915 Right 2001A-3A-4-5-7-8-20-1-3-55		1		356172 Right 2001A-3A		1
	341914 Left 2001A-3A-4-5-7-8-20-1-3-55		1		356170 Right 2004-7-30		1
8.013	SUPPORT, (Exhaust) muffler outlet tube				356171 Right 2005-8-55		1
	324661 Front 2001A-3A		1		348666 Right 2021-3		1
	341926 2001A-3A-4-5-7-8-20-1-3-55		1		356169 Left 2001A-3A		1
8.014	BRACKET, Frame muffler support				356167 Left 2004-7-30		1
	371919 1951-2000-1-10-11		1		356168 Left 2005-8-55		1
	341965 2001A-3A		1		348665 Left 2021-3		1
	373851 2003-6		1	8.0245	BRACKET, Shock absorber (rear)		
	341669 2004-7-30		1		348573 1951-2000-1-3-6-10-11-20		2
	341966 2005-8-55		1		354993 Left 2030		1
	341948 2020-1-3		1		354994 Right 2030		1
8.0145	BRACKET, Frame radiator cradle			8.027	PLATE, (Front) shock absorber reinforcement		
	367664 1951		1		320728 Right 2001A-3A-4-5-7-8-21-3-55		1
8.0146	SUPPORT AND SPACER ASSEMBLY, Radiator cradle tie rod bracket				362892 Right 2020		1
	377501 Right 2000-1-10-11		1		320727 Left 2001A-3A-4-5-7-8-21-3-55		1
	377500 Left 2000-1-10-11		1		362891 Left 2020		1
	371063 1951-2003-6		2	8.028	FRAME SIDE		
8.016	CHANNEL, Frame rear				371119 Right 1951		1
	367204 1951-2000-1-3-6-10-11		1		373896 Right LHD 2000-1-10-11		1
	356881 2001A-3A-4-5-7-8-20-1-3-55		1		356311 Right LHD 2001A-3A		1
8.017	CHANNEL, Frame rear intermediate				377325 Right LHD 2003-6		1
	367272 1951-2000-1-3-6-10-11		1		356268 Right LHD 2004-7		1
	333802 2001A-3A		1		356284 Right LHD 2005-8-55		1
	356079 2004-5-7-8-21-3-55		1		364577 Right LHD 2020		1
	358673 2020		1		356591 Right LHD 2021-3		1
	356079 2030		1		364572 Right 2030		1
8.018	BRACE, Rear (intermediate) channel				371118 Left 1951		1
	333077 Right 2001A-3A		1		373895 Left LHD 2000-1-10-11		1
	333026 Right 2004-5-7-8-21-3-30-55		1		356310 Left LHD 2001A-3A		1
	333076 Left 2001A-3A		1		377324 Left LHD 2003-6		1
	333025 Left 2004-5-7-8-21-3-30-55		1		356267 Left LHD 2004-7		1
8.019	REINFORCEMENT, (Rear) intermediate channel				356283 Left LHD 2005-8-55		1
	367223 Right 2000-1-3-6-10-11		1		364576 Left LHD 2020		1
	354297 Right 2020		1		356590 Left LHD 2021-3		1
	367222 Left 2000-1-3-6-10-11		1		364571 Left 2030		1
	354292 Left 2020		1		378268 Right RHD 2000-1-10-11		1
8.022	PLATE, Rear engine support				356312 Right RHD 2001A-3A		1
	330950 Rear 2001A-3A-4-5-7-8-20-1-3-55		2		356269 Right RHD 2004-7		1
8.023	PLATE, Frame shear				356285 Right RHD 2005-8-55		1
	367902 Right Front 1951-2000-1-3-6-10-11		1		364579 Right RHD 2020		1
	341928 Right Front 2001A-3A-4-5-7-8-20-1-3-55		1		356592 Right RHD 2021-3		1
	341695 Right Intermediate 2004-7-30		1		378267 Left RHD 2000-1-10-11		1
	333622 Right Intermediate 2005-8-55		1		364023 Left RHD 2001A-3A		1
	333851 Right Rear 2001A-3A		1		364021 Left RHD 2004-7		1
	333529 Right Rear 2005-8-55		1		364022 Left RHD 2005-8-55		1
	367901 Left Front 1951-2000-1-3-6-10-11		1		364578 Left RHD 2020		1
	341927 Left Front 2001A-3A-4-5-7-8-20-1-3-55		1		362887 Left RHD 2021-3		1
	341696 Left Intermediate 2004-7-30		1	8.0285	MUT, Side front body hold down bolt		
	333621 Left Intermediate 2005-8-55		1		319038 2001A-3A-4-5-7-8-20-1-3-55		2
	333580 Left rear 2001A-3A		1	8.029	GUSSET, Side		
	333528 Left Rear 2005-8-55		1		373191 Lower - Right 2000-1-3-6-10-11		1
					373190 Lower - Left 2000-1-3-6-10-11		1
					373189 Upper - Right 2000-1-3-6-10-11		1
					373188 Upper - Left 2000-1-3-6-10-11		1
8.030	SUB CHANNEL, Side (front)						
	371163 Right 1951		1				

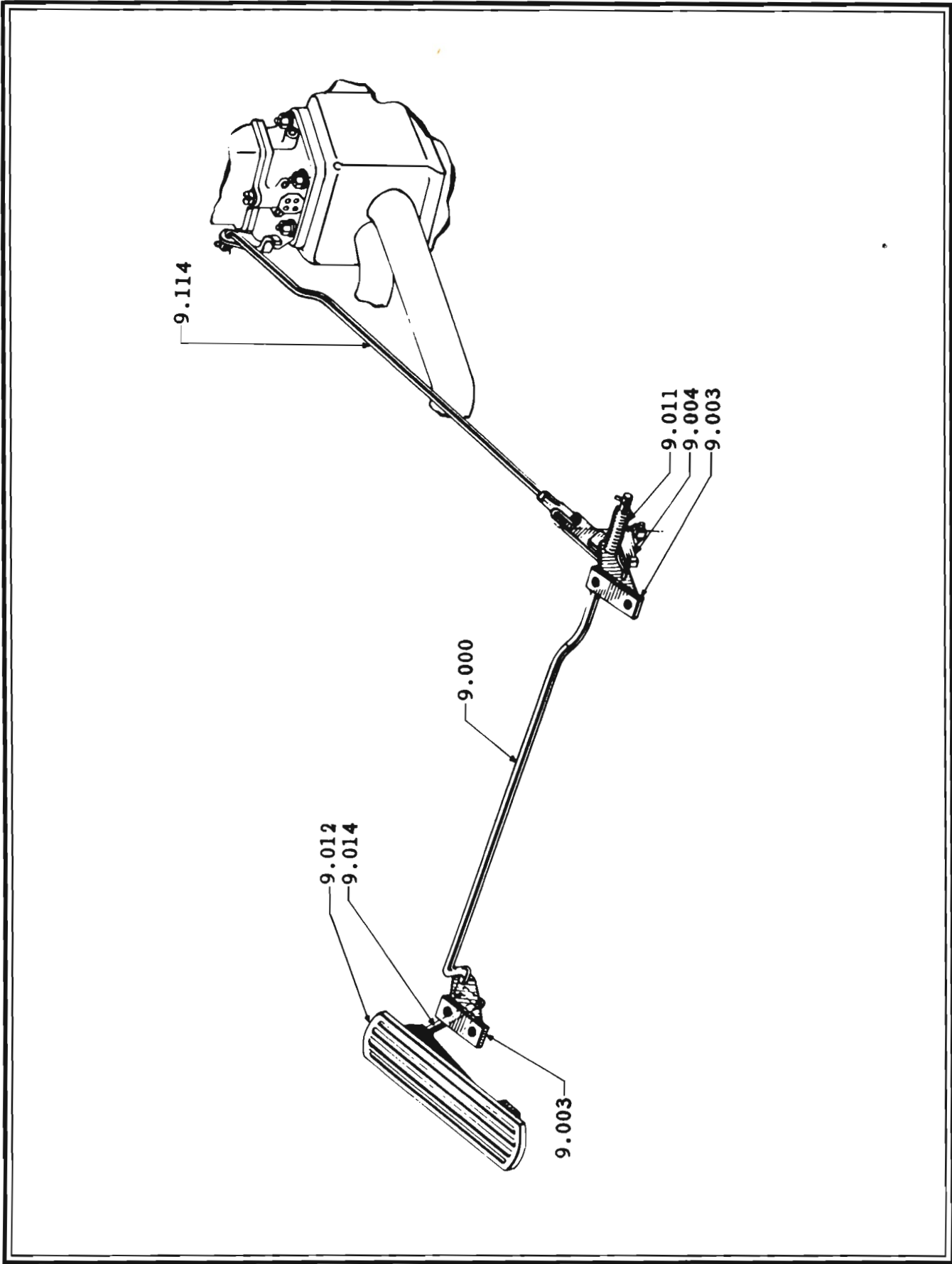


FRAME

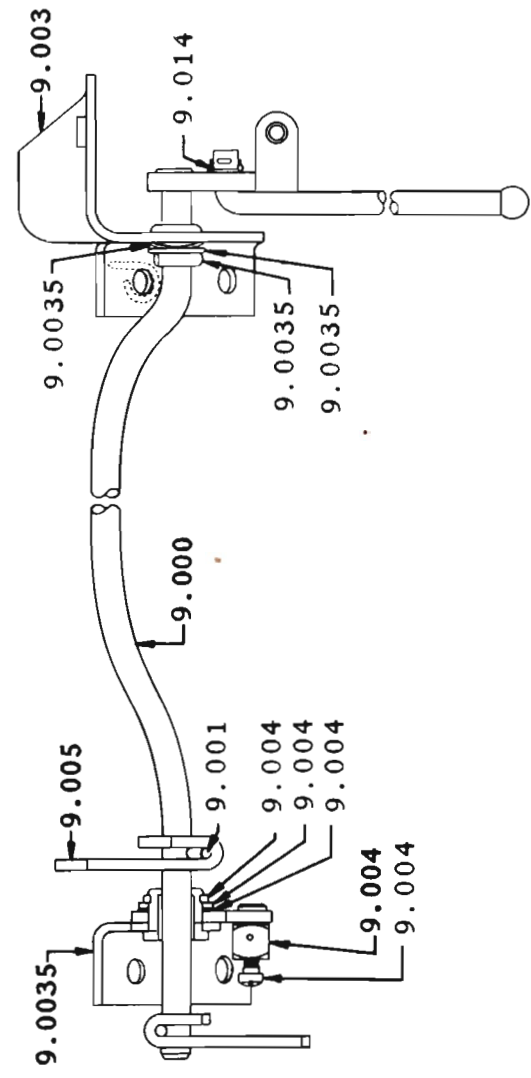
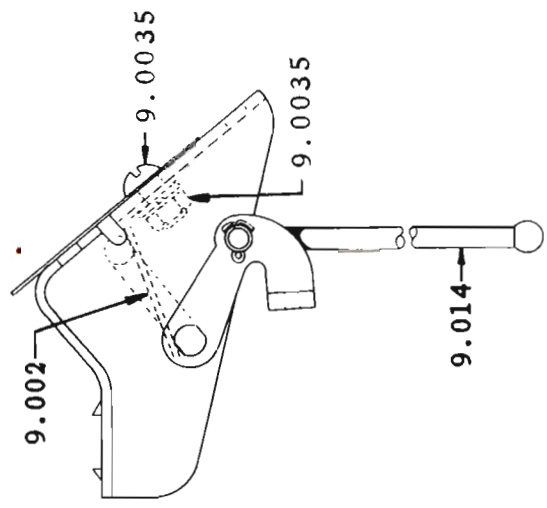
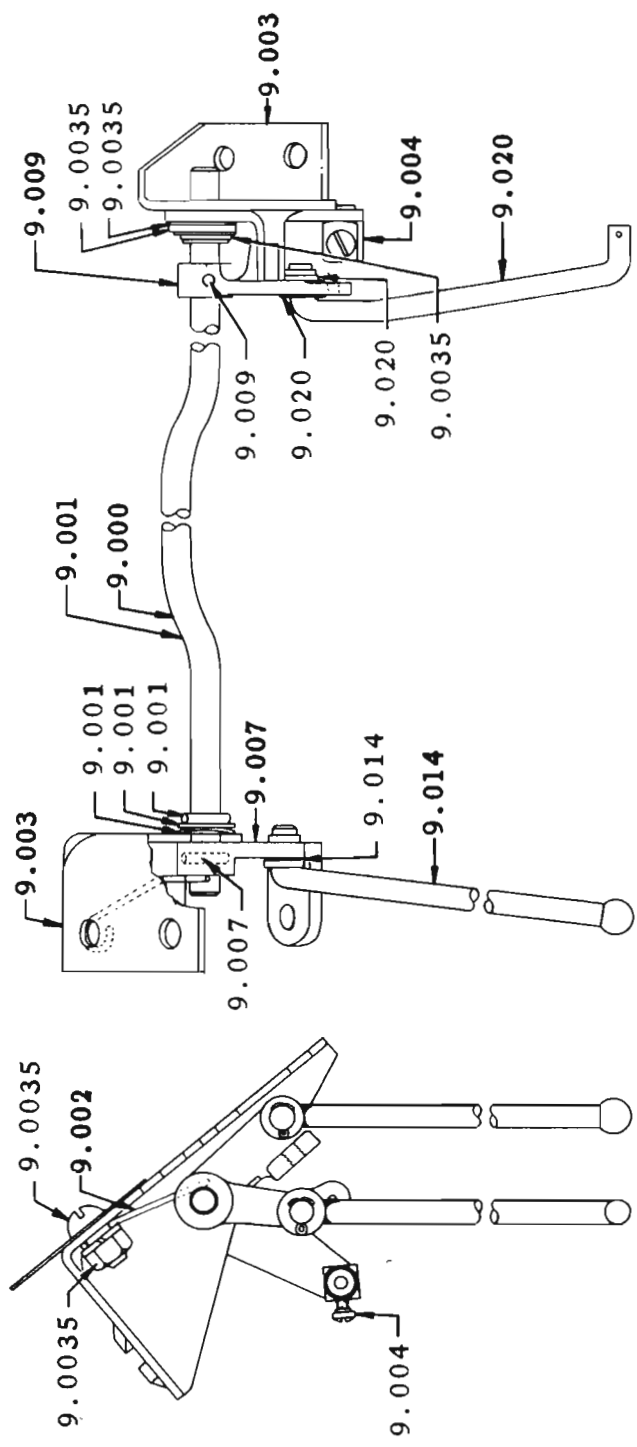
INDEX NO.	PART NO.	DESCRIPTION AND MODELS	PER CAR	INDEX NO.	PART NO.	DESCRIPTION AND MODELS	PER CAR
FRAME—Continued				FRAME—Continued			
8.030		SUB CHANNEL, Side (front) (Cont'd)		8.044		BRACKET, Wheel (front) torque arm	
	377306	Right LHD 2000-1-10-11	1		320969	Right 2001A-3A-4-5-7-8-55	1
	333354	Right LHD 2001A-3A-4-5-7-8-55	1		348392	Right 2020-1-3	1
	377316	Right LHD 2003-6	1		320968	Left 2001A-3A-4-5-7-8-55	1
	364581	Right LHD 2020	1		348391	Left 2020-1-3	1
	364055	Right LHD 2021-3	1	8.045		CAP, Wheel (front) torque arm bracket	
	371162	Left 1951	1		300961	2001A-3A-4-5-7-8-55	2
	377305	Left LHD 2000-1-10-11	1		6048	(50.230) Lockwasher 3/8	6
	333355	Left LHD 2001A-3A-4-5-7-8-55	1		7241	(50.003) Screw 3/8-15 x 1-5/8	6
	377315	Left LHD 2003-6	1	8.0454		BRACKET, Frame wheel rear brake cable	
	364580	Left LHD 2020	1		373221	Right 1951-20th Sr.	1
	364054	Left LHD 2021-3	1		373220	Left 1951-20th Sr.	1
	378261	Right RHD 2000-1-10-11	1	8.046		"X" MEMBER ASSEMBLY, Frame	
	333459	Right RHD 2001A-3A-4-5-7-8-55	1		367937	LHD 1951-2000-1-3-6-10-11	1
	364583	Right RHD 2020	1		356366	2001A-3A	1
	364057	Right RHD 2021-3	1		356276	2004-7	1
	378260	Left RHD 2000-1-10-11	1		356306	2005-8-55	1
	364020	Left RHD 2001A-3A-4-5-7-8-55	1		356252	LHD 2020	1
	364582	Left RHD 2020	1		356235	LHD 2021-3	1
	364056	Left RHD 2021-3	1		364521	2030	1
8.0305		SUB CHANNEL, Side (rear)			378240	RHD 2000-1-10-11	1
	367837	Right 1951-2000-1-3-6-10-11	1		364756	RHD 2020	1
	367836	Left 1951-2000-1-3-6-10-11	1		364864	RHD 2021-3	1
8.0310		BRACKET, Spring (rear)					
	367936	Front Right 1951-2000-1-3-6-10-11	1				
	326635	Front Right 2001A-3A-4-5-7-8-55	1				
	348186	Front Right 2020-1-3	1				
	367935	Front Left 1951-2000-1-3-6-10-11	1				
	326634	Front Left 2001A-3A-4-5-7-8-55	1				
	348185	Front Left 2020-1-3	1				
8.0315		BRACKET ASSEMBLY, Spring (rear shackle)					
	367203	Right 1951-2000-1-3-6-10-11	1				
	356808	Right 2001A-3A	1				
	356174	Right 2004-5-7-8-55	1				
	347196	Right 2020-1-3	1				
	367202	Left 1951-2000-1-3-6-10-11	1				
	356807	Left 2001A-3A	1				
	356173	Left 2004-5-7-8-55	1				
	347195	Left 2020-1-3	1				
8.033		BRACE, Spring - rear bracket (front)					
	333945	2001A-3A-5-8-55	2				
	362026	Right 2004-7	1				
	341942	Right 2020-1-3	1				
	362025	Left 2004-7	1				
	341941	Left 2020-1-3	1				
8.036		BRACKET ASSEMBLY, Stabilizer lateral					
	373931	1951-2000-1-3-6-10-11	1				
8.038		PLATE, Steering crank mounting					
	341409	2001A-3A-4-5-7-8-20-1-3-55	1				
8.039		SPACER, Steering gear bolt					
	371060	LHD 1951-2000-1-3-6-10-11	1				
	341896	LHD 2001A-3A-4-5-7-8-21-3-55	1				
	341930	LHD 2020	1				
	378394	RHD 2000-1-10-11	1				
	342331	RHD 2001A-3A-4-5-7-8-21-3-55	4				
	324330	RHD 2020	4				
8.040		SUPPORT, Universal joint shaft bearing intermediate housing					
	351693	Right 2020-1	1				
	351692	Left 2020-1	1				
8.043		BRACKET, Wheel front spring rebound bumper					
	341975	Right 2001A-3A-4-5-7-8-23-55	1				
	341950	Left 2001A-3A-4-5-7-8-23-55	1				

INDEX NO.	PART NO.	DESCRIPTION AND MODELS	PER CAR	INDEX NO.	PART NO.	DESCRIPTION AND MODELS	PER CAR
ACCELERATOR				ACCELERATOR—Continued			
9.000		SHAFT ASSEMBLY, Accelerator cross		9.010		SPRING, Cross shaft retracting	
	*378120	2001A-20-1	1		*371454 (LHD)	2003A-4-5-7-8-23-55	1
	378071	(LHD) 2001A-21	1		371682 (LHD)	2003A-4-5-7-8-23-55	1
	#378069	(LHD) 2001A-20-1	1	9.011		SPRING, Cross shaft	
	378069	(LHD) 2020	1		316818 (RHD)	2001A-3A-4-5-7-8-20-1-3-55	1
	#378413	(RHD) 2001A-21	1		4305 (50.240)	Cotter pin 1/8 x 7/8	1
	378412	(RHD) 2001A-21	1	9.0113		SWITCH, Cross shaft	
	378393	(RHD) 2003A-4-5-7-8-23	1		*317872	1951	1
	#378411	(RHD) 2020	1		*377752	2001A-3A-4-5-7-8-20-1-3-55	1
	378410	(RHD) 2020	1		*7658	(50.300) Screw #10 x 1/2	x
9.0005		LEVERS ASSEMBLY, Cross shaft and operating			*7656	(50.300) Screw #10 x 1/2 (Upper) 2003A-4-5-7-8-23-55	1
	*378537	2001A-20-1	1		*7792	(50.300) Screw #10-7/8 1951	2
	*367619	(Not used with Econo-Drive) 2003A-4-5-7-8-23-55	1	9.0114		BRACKET, Accelerator cross shaft switch	
	*367637	(Use with Econo-Drive) 2003A-4-5-7-8-23-55	1		*371880	2003A-4-5-7-8-23-55	1
9.001		SHAFT, Accelerator cross			*5502	(50.220) Lockwasher 1/4	1
	333715	(LHD) 2001A-20-1	1		*7801	(50.003) Screw 1/4 x 1/2	1
	348305	(LHD) 2003A-4-5-7-8-23-55	1	9.0115		ROD, Accelerator cross shaft switch operating	
	324734	(RHD) 2001A-3A-4-5-7-8-20-1-3-55	1		*373119	1951	1
	300693	Pin (LHD) 2001A-20-1	1		*373118	(Long) 1951	1
	330344	Spring washer (LHD) 2001A-20-1	1		*367310	(Short) 1951	1
	3874	(50.200) Washer 5/16 plain 2001A-3A-4-5-7-8-20-1-3-55	x		*377788	2001A-20-1	1
9.002		SPRING, Cross shaft anti-rattler			*377783	2003A-4-5-7-8-23-55	1
	330044	(LHD) 2001A-20-1	1		*7003	(50.100) Nut #10-32 hex. 1951	1
	335575	(LHD) 2003A-4-5-7-8-23-55	1		*367303	(50.100) Nut #10-32 spec. 1951	1
9.003		BRACKET ASSEMBLY, Cross shaft			*7191	(50.240) Cotter pin 1/16 x 7/16	2
	378387	(RHD) 2001A-3A-4-5-7-8-20-1-3-55	1	9.012		PEDAL, Accelerator	
9.0035		BRACKET, Cross shaft			362838	1951-20th Sr.	1
	335724	Right (LHD) 2001A-20-1	1	9.013		BRACKET, Pedal hinge	
	378168	Right (LHD) 2003A-4-5-7-8-23-55	1		362356	(Not used on RHD 2001A-3-6-20-1) 1951-2000-1-1A-3-6-10-11-20-1	1
	333936	Left (LHD) 2001A-20-1	1		362837	(Not used on LHD 2001A-20-1) 2001A-3A-4-5-7-8-20-1-3-55	1
	335529	Left (LHD) 2003A-4-5-7-8-23-55	1		5502	(50.220) Lockwasher 1/4	2
	324737	(RHD) 2001A-3A-4-5-7-8-20-1-3-55	1		7004	(50.100) Nut 1/4-28	2
	5502	(50.220) Lockwasher 1/4 (LHD)	x		7492	(50.000) Screw 1/4-28 x 1/2	2
	5504	(50.220) Lockwasher 5/16 (LHD)	1		7493	(50.000) Screw (RHD)	2
	7004	(50.100) Nut 1/4-28 (LHD)	x	9.0131		PIN, Pedal hinge	
	7003	(50.100) Nut #10-32 (RHD)	1		338323	1951-20th Sr.	1
	7005	(50.100) Nut 5/16-24 (RHD)	1	9.01313		RETAINING RING, Accelerator pedal hinge pin	
	300693	Pin (LHD)	1		225490	1951-20th Sr.	1
	6507	Screw 1/4-28 x 9/16 (LHD)	x	9.01315		SPRING WASHER, Pedal hinge	
	5575	(50.003) Screw 5/16-24 x 7/8 (RHD)	1		194732	1951-20th Sr.	x
	330344	Spring washer (LHD)	1	9.014		ROD, Pedal push	
	338405	Washer 5/16 (LHD)	1		371768	(LHD) 1951-2000-1-3-6-10-11	1
9.005		LEVER, Cross shaft carburetor throttle			324367	(LHD) 2001A-20-1	1
	354205	(LHD) 2001A-20-1	1		335543	(LHD) 2003A-4-5-7-8-23-55	1
	335905	(RHD) 2001A-20-1	1		379026	(RHD) 2000-1-10-11	1
	303563	Pin (LHD)	1		327734	(RHD) 2001A-3A-4-5-7-8-20-1-3-55	1
	300693	Pin (RHD)	1		4280	(50.240) Cotter pin 1/16 x 1/2	1
9.006		LEVER, Cross shaft foot pedal			194732	Spring washer	1
	335888	(RHD) 2001A-20-1	1		3907	Washer 1/4	1
	335893	(RHD) 2003A-4-5-7-8-23-55	1	9.0143		LEVER, Accelerator pedal push rod	
	300693	Pin (RHD)	1		371998	1951-2000-1-3-6-10-11	1
9.007		LEVER, Cross shaft operating			4280	(50.240) Cotter pin 1/16 x 1/2	1
	367121	(LHD) 2001A-20-1	1		373202	Washer	2
	367266	(LHD) 2003A-4-5-7-8-23-55	1	9.0144		BRACKET, Accelerator pedal push rod lever	
	#354230	Adj. Screw 2003A-4-5-7-8-23-55	1		373014	1951	1
	*7251	(50.100) Nut 1/4-28 2003A-4-5-7-8-23-55	1		379297	2000-1-3-6-10-11	1
	300693	Pin 2003A-4-5-7-8-23-55	1		6507	(50.003) Screw 1/4-28 x 9/16 Conical point 1951-20th Sr.	2
9.008		LEVER ASSEMBLY, Cross shaft relay			5447	(50.220) Lockwasher 1/4 external 1951-20th Sr.	2
	348915	(RHD) 2003A-4-5-7-8-23-55	1				
	300693	Pin	1				
9.009		LEVER, Cross shaft relay operating					
	371879	(LHD) 2003A-4-5-7-8-23-55	1				
	300693	Pin	1				

* Used with Electromatic Clutch
Used with Econo Drive



ACCELERATOR



ACCELERATOR CROSS SHAFT

INDEX NO.	PART NO.	DESCRIPTION AND MODELS	PER CAR
ACCELERATOR—Continued			
9.01445	PIN, Accelerator pedal push rod lever		
	373109 1951		1
	379296 2000-1-3-6-10-11		1
9.0145	ROD, Accelerator pedal push rod lever (to relay lever)		
	*373077 1951		1
	373078 (LHD) 1951-2000-1-3-6-10-11		1
	#373114 (Long) 1951-2000-1-3-6-10-11		1
	#373085 (Short) 1951-2000-1-3-6-10-11		1
	4280 (50.240) Cotter pin 1/16 x 1/2 (LHD)		1
	#367303 Nut #10-32		1
	3906 Washer 3/16 (LHD)		1
9.0147	CLEVIS CLIP, Accelerator pedal push rod lever rod end (to relay lever)		
	338753 Right 1951-2000-1-3-6-10-11		1
9.0148	SPRING, Accelerator pedal push rod retracting		
	*371454 2001A-20-1		1
9.0149	PIN, Accelerator pedal push rod spring		
	*373643 1951-2000-1-3-6-10-11		1
	*7002 (50.100) Nut #8-32		1
	*5695 (50.220) Lockwasher #8		1
9.015	WEATHER SEAL, Pedal push rod		
	338580 1951-20th Sr.		1
9.016	SPRING, Pedal retracting		
	371454 1951-2000-1-3-6-10-11		1
	338401 (LHD) 2001A-20-1		1
9.017	LEVER, Pedal retracting spring		
	371871 (LHD) 2001A-20-1		1
	303563 Pin (LHD)		1
9.018	LEVER, Relay		
	*371970 1951		1
	373132 (Not used on 2000-10-3-6-RHD) 1951-2000-1-3-6-10-11		2
	348277 2003A-4-5-7-8-23-55		1
	354205 (RHD) 2000-10		2
9.019	BRACKET, Relay lever		
	371971 1951-2000-1-3-6-10-11		1
	335852 2003A-4-5-7-8-23-55		1
	4280 (50.240) Cotter pin 1/16 x 1/2 2003A-4-5-7-8-23-55		1
	5502 (50.220) Lockwasher 1/4 2003A-4-5-7-8-23-55		2
	5265 Pin 2003A-4-5-7-8-23-55		1
	7370 (50.003) Screw 1/4-28 x 9-16 (LHD) 2003A-4-5-7-8-23-55		2
	7372 (50.003) Screw 1/4-28 x 5/8 (RHD) 2003A-4-5-7-8-23-55		2
	378743 Spacer (RHD) 2001-11		1
	194732 Spring washer 2003-4-5-7-8-23-55		1
9.020	ROD, Relay lever push		
	378359 (LHD) 2003A-4-5-7-8-23-55		1
	378376 (RHD) 2003A-4-5-7-8-23-55		1
	4280 (50.240) Cotter pin 1/16 x 1/2		2
	194732 Spring washer (LHD)		2
	3907 Washer 1/4 (LHD)		2
	3868 Washer 1/4 (RHD)		2
9.0203	ROD, Accelerator relay lever (to carburetor throttle operating shaft lever)		
	373107 (LHD) 2000-10		1
	373087 (LHD) 1951-2001-11		1
	*378780 LHD (Long) 2000-1-10-11		1
	*373072 (LHD) (Long) 1951		1

INDEX NO.	PART NO.	DESCRIPTION AND MODELS	PER CAR
ACCELERATOR—Continued			
9.0203	ROD, Accelerator relay lever (to carburetor throttle operating shaft lever) (Cont'd)		
	*373160 (LHD) (Long) (Not used with Econo Drive) 1951		1
	373086 (LHD) (Long) 1951		1
	*373034 (LHD) (Short) 1951		1
	*373085 LHD (Short) 1951-2000-1-10-11		1
	377674 LHD 2003-6		1
	378753 (RHD) 2001-11		1
	378752 (RHD) 2000-10		1
	4280 (50.240) Cotter pin 1/16 x 1/2 (LHD)		1
	*4280 (50.240) Cotter pin 1/16 x 1/2		1
	7003 (50.100) Nut #10-32		1
	367303 Nut (LHD)		1
	*7003 (50.100) Nut #10-32 LHD		1
	*367303 Nut #10-32 LHD		1
	303563 Pin (RHD)		2
	3906 Washer 3/16		1
	*3906 Washer #10		1
9.0204	CLIP, Accelerator relay lever rod end (to carburetor throttle operating shaft lever)		
	338753 Right (LHD) 2000-10		1
	338752 Left (LHD) 1951-2000-1-3-6-10-11		1
	*338753 Left 2000-1-10-11		1
9.0204	LINK, Accelerator relay lever rod (to carburetor throttle operating shaft lever) adjusting		
	*367282 (Used with Econo Drive) 1951		1
9.0205	TURNBUCKLE, Accelerator relay lever rod (to carburetor throttle operating shaft lever)		
	367312 (LHD) 1951-2000-1-3-6-10-11		1
9.02057	ROD ASSEMBLY, Accelerator relay lever (to clutch control valve)		
	*378121 (Long) (Use with Econo-Drive) 2000-10		1
	*373026 (Long) (Not used with Econo-Drive) 2000-10		1
	*378118 (Long) (Use with Econo-Drive) 2001-11		1
	*373072 (Long) (Not used with Econo-Drive) 2001-11		1
	*373034 (Short) 2000-1-10-11		1
9.0206	SHAFT AND BRACKET ASSEMBLY, Accelerator relay levers		
	371956 (Not used on RHD 2 01-11) 1951-2000-1-3-6-10-11		1
	*371925 1951		1
	*378976 (LHD) 2000-1-10-11		1
	378748 (RHD) 2001-11		1
	5502 (50.220) Lockwasher 1/4		2
	7478 (50.000) Screw 1/4-20 x 1/2 LHD		2
	8095 (50.000) Screw 1/4-20 x 3/4 (RHD)		2
CARBURETOR			
9.1001	CARBURETOR ASSEMBLY		
	373872 (Carter) 1951		1
	377734 2000-10-20		1
	377735 2001-1A-11-21		1
	377736 2003-3A-4-5-6-7-8-23-55		1
	6658 Connector (inlet) 2001-1A-11-21		1
	6657 Elbow (inlet) 1951-2000-10-20		1
	5504 (50.200) Lockwasher 5/16 1951-2001-1A-3-3A-4-5-6-7-8-11-21-23-55		4
	7006 (50.100) Nut 3/8-24 2000-10-20		2
	7005 (50.100) Nut 5/16-24 1951-2001-1A-3-3A-4-5-6-7-8-11-21-23		4
9.101	GASKET SET, Carburetor assembly		
	379769 2000-10-20		-
	371155 2001-1A		1
	382594 2003-3A-4-5-6-7-8-11-21-23-55		1

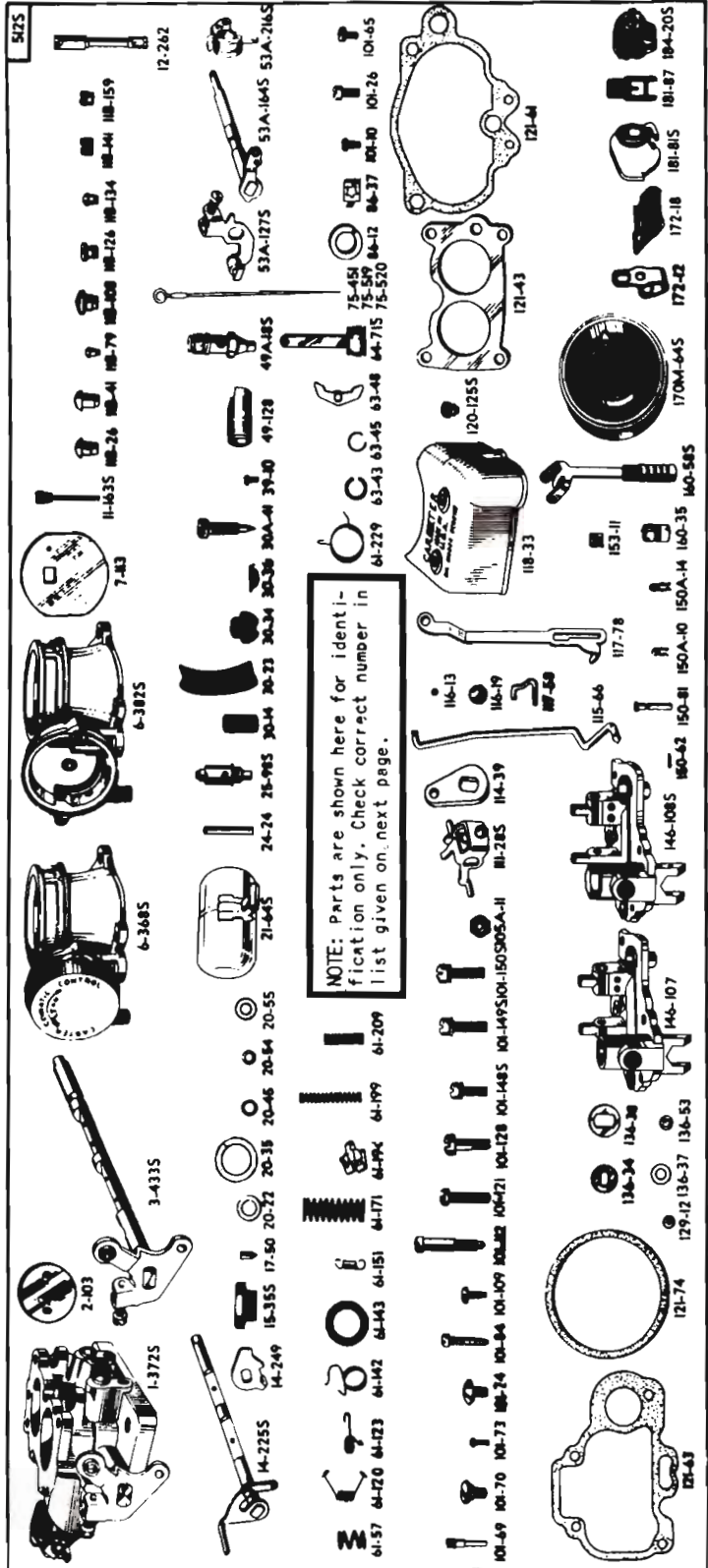
* Used with Electromatic Clutch
 # Used with Econo Drive

DETAIL PARTS OF NO. 377734 CARBURETOR ASSEMBLY (CARTER)

FOR USE ON MODELS 2000-10-20-30

PART NO.	DESCRIPTION	PER CAR	PART NO.	DESCRIPTION	PER CAR
1-318S	Body flange & switch assy.	1	63-45	Ball retainer ring	1
1A-17	Flange gasket - 1-1/4" S.A.E.	1	63-48	Thermostat housing retainer	3
2-101	Throttle valve	1	64-55S	Plunger & rod assy.	1
3-447S	Throttle shaft & lever assy.	1	75-535	Metering rod - standard	1
6-345S	Air horn & piston housing assy.	1	75-536	Metering rod - one size lean	1
6-449S	Air horn & climatic control assy.	1	75-537	Metering rod - Two size lean	1
7-124	Choker valve	1	86-15	Flange stud lock washer	2
11-165S	Low speed jet assy.	1	86-37	Terminal lock washer	2
11B-12	Vacuum spark passage rivet plug	1	101-26	Coil housing attaching screw	3
11B-26	Starterator passage rivet plug	1	101-28	Throttle shaft arm clamp screw	1
11B-41	Nozzle passage rivet plug	1	101-78	Choker lever clamp screw	1
11B-42	Vacuum spark passage rivet plug	1	101-81	Fast idle cam screw	1
11B-79	Rivet plug	5	101-109	Switch terminal screw	2
11B-108	Idle port rivet plug	1	101-112	Terminal cap attaching screw	1
11B-117S	Idle plug & gasket assy.	1	101-120	Throttle lever adjusting screw	1
11B-119S	Ball retainer plug & gasket assy.	1	101-143S	Piston housing screw & washer assy.	1
11B-127S	Passage plug & gasket assy.	2	101-147S	Body flange screw & washer assy.	2
11B-141	Nozzle retainer plug	1	101-148S	Bowl cover screw & washer assy.	5
12-270	Nozzle	1	101-151S	Air horn screw & washer assy.	2
14-222S	Choke piston lever, link & shaft assy.	1	105A-13	Flange stud nut	2
14-298S	Choker lever, screw & link assy.	1	114-42S	Throttle shaft arm & screw assy.	1
15-35S	Strainer nut & gasket assy.	1	115-41	Throttle connector rod	1
20-22	*Needle seat & plug gasket	3	116-13	Ball	2
20-26	*Metering rod jet & plug gasket	3	116-19	Switch ball	1
20-35	Bowl strainer gasket	1	117-58	Pump connector link	1
20-45	Nozzle gasket	1	117-66S	Piston link & spring assy.	1
21-70S	Float & lever assy.	1	118-28	Dust cover	1
24-15	Float lever pin	1	120-15S	Metering rod jet & gasket assy. .1015" drill	1
25-42S	Needle & seat assy.	1	121-51	Air horn gasket	1
30-14	Bowl strainer gauze	1	121-58	Bowl cover gasket	1
30-23	Piston housing strainer	1	121-72	Body flange gasket	1
30-34	Pump strainer	1	121-74	Coil housing gasket	1
30-36	Switch strainer	1	129-15	Metering rod disk	1
30A-39	Idle adjustment screw	1	136-53	Return spring washer	1
39-10	Valve attaching screw	4	146-69	Bowl cover	1
48-61	Pump jet	1	146-88S	Bowl cover & strainer assy.	1
49-128	Switch plunger	1	150-62	Choke piston pin	1
53A-211S	Pump operating lever & countershaft assy. ..	1	150-92	Anti-percolator pin	1
53A-213S	Pump arm & collar assy.	1	150A-10	Pin spring	3
61-57	Adjustment screw spring	1	153-11	Switch contact spring shim (.018")	1
61-75	Metering rod spring	1	153-12	Switch contact spring shim (.006")	1
61-128	Connector rod spring	1	160-35	Choke piston	1
61-143	Plunger spring	1	160-67S	Vacuum piston & pin assy.	1
61-171	Pump spring	1	170-64S	Thermostatic coil & housing assy.	1
61-188	Rocker arm spring	1	172-12	Terminal cap hold down clip	1
61-194	Switch contact spring	1	172-19	Cable clip	1
61-209	Switch return spring	1	181-87	Switch guide block	1
61-228	Pump operating lever spring	1	181-105S	Fast idle cam & pin assy.	1
61-233	Vacuum piston spring	1	184-18S	Anti-percolator cap & rocker arm assy.	1
63-35	Spring retainer	1	184-20S	Terminal cap assy.	1
63-43	Switch strainer retainer ring	1	192-11U	Carter Starter switch unit	1

* Gaskets so marked must be soaked in 90 proof denatured 93 alcohol for 15 minutes, installed on part, and let dry before using.



CARTER CARBURETOR
MODELS 2001-1A-11-21

DETAIL PARTS OF NO. 377735 CARBURETOR ASSEMBLY (CARTER)

FOR USE ON MODELS 2001-1A-11-21

PART NO.	DESCRIPTION	PER CAR	PART NO.	DESCRIPTION	PER CAR
1-372S	Body flange and switch assembly	1	75-520	Metering rod - 2 sizes lean	2
2-103	Throttle valve	2	86-12	Flange stud lock washer	3
3-433S	Throttle shaft and lever assembly (Sup. by 3-454S)	1	86-17	Body flange attaching screw lockwasher	1
3-454S	Throttle shaft and lever assembly	1	86-37	Switch terminal lockwasher	2
6-368S	Air horn and climatic control assembly	1	101-10	Clamp screw	1
6-382S	Air horn and pump jet assembly	1	101-26	Coil housing attaching screw	2
7-113	Choker valve	1	101-65	Trip lever attaching screw	1
11-163S	Low speed jet assembly	2	101-69	Throttle centering screw	1
11B-26	Body flange rivet plug	2	101-70	Fast idle arm attaching screw	1
11B-41	Pump discharge rivet plug	1	101-73	Throttle valve attaching screw	4
11B-79	Rivet plug	5	101-74	Throttle shaft arm attaching screw	1
11B-108	Idle port rivet plug	2	101-84	Fast idle adjustment screw	1
11B-126	Nozzle passage plug	2	101-109	Switch terminal screw	2
11B-134	Rivet plug	2	101-112	Terminal cap attaching screw	1
11B-141	Nozzle retainer plug	2	101-121	Throttle lever adjustment screw	1
11B-159	By-pass bleeder screw plug	2	101-124	Body flange attaching screw	1
12-262	Nozzle	2	101-128	Air horn attaching screw (Special)	1
14-225S	Choker piston lever, link and shaft assembly	1	101-148S	Bowl cover attaching screw and washer assy.	6
14-249	Choker trip lever	1	101-149S	Body flange attaching screw and washer assy.	4
15-35S	Strainer nut and gasket assembly	1	101-150S	Air horn attaching screw and washer assy. .	2
17-50	Pump check needle	1	105A-11	Flange stud nut	3
20-22	*Needle seat gasket	1	111-28S	Anti-percolator arm and screw assembly	1
20-35	Bowl strainer gasket	1	114-39	Throttle shaft arm	1
20-45	Nozzle gasket	2	115-66	Throttle connector rod	1
20-54	*Metering rod jet gasket	2	116-13	Ball	1
20-55	Idle passage gasket	3	116-19	Switch ball	1
21-64S	Float and lever assembly	1	117-58	Pump arm link	1
24-24	Float lever pin	1	117-78	Fast idle connector link	1
25-98S	Needle and seat assembly	1	118-33	Dust cover	1
30-14	Bowl cover strainer gauze	1	120-125S	Metering rod jet and gasket assembly	2
30-23	Piston housing strainer	1	121-43	Body flange gasket	1
30-34	Pump strainer	1	121-61	Air horn gasket	1
30-36	Switch strainer	1	121-63	Bowl cover gasket	1
30A-41	Idle adjustment screw	2	121-74	Coil housing gasket	1
39-10	Valve attaching screw	2	129-12	Metering rod disk	2
49-128	Switch plunger	1	136-34	Choker shaft washer	1
49A-18S	Anti-percolator valve plug assembly	2	136-37	Connector rod washer	1
53A-127S	Fast idle arm, pin and screw assembly	1	136-38	Throttle shaft washer	1
53A-164S	Pump operating lever and countershaft assy.	1	136-53	Return spring washer	1
53A-216S	Pump arm and collar assembly	2	146-107	Bowl cover	1
61-57	Adjustment screw lock spring	2	146-108S	Bowl cover and strainer assembly	1
61-120	Metering rod spring	1	150-62	Choke piston pin	1
61-123	Connector link spring	1	150-81	Metering rod pin	1
61-142	Fast idle arm spring	1	150A-10	Pin spring	5
61-143	Plunger spring	1	150A-14	Countershaft pin spring	1
61-151	Pump arm spring	1	153-11	Switch contact spring shim (.018)	1
61-171	Pump spring	1	153-12	Switch contact spring shim (.006)	1
61-194	Switch contact spring	1	160-35	Choke piston	1
61-199	Vacuum piston spring	1	160-58S	Vacuum piston and link assembly	1
61-209	Switch return spring	1	170M64S	Thermostatic coil and housing assembly	1
61-229	Fast idle cam spring	1	172-12	Hold down clip (terminal cap)	1
63-43	Switch strainer retainer ring	1	172-18	Cable clip	1
63-45	Ball retainer ring	1	181-81S	Fast idle cam assembly (Sup. by 181-110S)	1
63-48	Housing retainer	2	181-110S	Fast idle cam assembly	1
64-71S	Pump plunger and rod assembly	1	181-87	Switch guide block	1
75-451	Metering rod - standard	2	184-20S	Terminal cap assembly	1
75-519	Metering rod - 1 size lean	2	192-11U	Carter starter switch unit	1

* Gaskets so marked must be soaked in 90 proof denatured alcohol for 15 minutes, installed on part, and let dry before using 95

DETAIL PARTS OF NO. 377736 CARBURETOR ASSEMBLY (CARTER)

FOR USE ON MODELS 2003-3A-4-5-6-7-8-23-55

PART NO.	DESCRIPTION	PER CAR	PART NO.	DESCRIPTION	PER CAR
1-378S	Body flange & switch assy.	1	75-538	Metering rod - standard	2
2-101	Throttle valve	2	75-539	Metering rod - one size lean	2
3-445S	Throttle shaft & lever assy.	1	75-540	Metering rod - two size lean	2
6-370S	Air horn & climatic control assy.	1	86-12	Flange stud lock washer	4
6-381S	Air horn & pump jet assy.	1	86-17	Body flange lock washer	1
7-123	Choker valve	1	86-37	Terminal lock washer	2
11-163S	Low speed jet assy.	2	101-10	Clamp screw	1
11B-26	Body flange rivet plug	2	101-26	Coil housing attaching screw	2
11B-41	Pump discharge rivet plug	1	101-65	Choker shaft attaching screw	1
11B-79	Rivet Plug	5	101-69	Throttle centering screw	1
11B-108	Idle port rivet plug	2	101-70	Fast idle arm attaching screw	1
11B-126	Nozzle passage plug	2	101-74	Throttle shaft arm attaching screw	1
11B-134	Rivet plug	2	101-84	Fast idle adjustment screw	1
11B-141	Nozzle retainer plug	2	101-109	Switch terminal screw	2
11B-159	By-pass bleeder screw plug	2	101-112	Terminal cap attaching screw	1
12-259	Nozzle	2	101-121	Throttle lever adjustment screw	1
14-219	Choker trip lever	1	101-124	Body flange attaching screw	1
14-225S	Choker piston lever, link & shaft assy.	1	101-126	Throttle valve attaching screw	1
15-35S	Strainer nut & gasket assy.	1	101-128	Air horn attaching screw - special	1
17-50	Pump check needle	1	101-148S	Bowl cover screw & washer assy.	6
20-22	*Needle seat gasket	1	101-149S	Body flange screw & washer assy.	3
20-35	*Bowl strainer gasket	1	101-150S	Air horn screw & washer assy.	2
20-45	Nozzle gasket (upper)	2	105A-11	Flange stud nut	4
20-54	*Metering rod jet gasket	2	111-28S	Anti-percolator arm & screw assy.	1
20-55	Idle passage gasket	3	114-35	Throttle shaft arm	1
21-64S	Float & lever assy.	1	115-57	Throttle connector rod	1
24-24	Float lever pin	1	116-13	Pump check ball	1
25-98S	Needle & seat assy.	1	116-19	Switch ball	1
30-14	Bowl cover strainer gauze	1	117-58	Pump arm link	1
30-23	Piston housing strainer	1	118-33	Dust cover	1
30-34	Pump strainer	1	120-139S	Metering rod jet assy.	2
30-36	Switch strainer	1	121-43	Body flange gasket	1
30A-41	Idle adjustment screw	2	121-61	Air horn gasket	1
39-10	Choke valve attaching screw	2	121-63	Bowl cover gasket	1
49-128	Switch plunger	1	121-74	Coil housing gasket	1
49A-18S	Anti-percolator valve plug assy.	2	129-12	Metering rod disk	2
53A-127S	Fast idle arm, pin & screw assy.	1	136-34	Choker shaft washer	1
53A-164S	Pump operating lever & countershaft assy. ..	1	136-38	Throttle shaft washer	1
53A-180S	Pump arm & collar assy.	1	136-53	Return spring washer	1
61-57	Adjustment screw lock spring	2	146-107	Bowl cover	1
61-120	Metering rod spring	1	146-108S	Bowl cover & strainer assy.	1
61-123	Connector link spring	1	150-62	Choke piston pin	1
61-128	Connector rod spring	1	150-81	Metering rod pin	1
61-142	Fast idle arm spring	1	150A-10	Pin spring	4
61-143	Plunger spring	1	150A-14	Countershaft pin spring	1
61-171	Pump spring	1	153-11	Switch contact spring shim (.018")	1
61-194	Switch contact spring	1	153-12	Switch contact spring shim (.006")	1
61-199	Vacuum piston spring	1	160-35	Choke piston	1
61-209	Switch return spring	1	160-58S	Vacuum piston & link assy.	1
61-212	Pump arm spring	1	170M64S	Thermostatic coil & housing assy.	1
61-229	Fast idle cam spring	1	172-12	Terminal cap hold down clip	1
63-35	Spring retainer	1	172-18	Cable clip	1
63-43	Switch strainer retainer ring	1	181-110S	Fast idle cam assy.	1
63-45	Ball retainer ring	1	181-87	Switch guide block	1
63-48	Thermostat housing retainer	2	184-20S	Terminal cap assy.	1
64-59S	Pump plunger & rod assy.	1	192-11U	Carter starter switch unit	1

* Gaskets so marked must be soaked in 90 proof denatured alcohol for 15 minutes, installed on part and let dry before using. 97

FUEL

INDEX NO.	PART NO.	DESCRIPTION AND MODELS	PER CAR	INDEX NO.	PART NO.	DESCRIPTION AND MODELS	PER CAR
CARBURETOR—Continued				CARBURETOR—Continued			
9.1015	GASKET, Carburetor assembly			9.114	CONNECTING ROD ASSEMBLY, Throttle (Cont'd)		
	362257 2000-10-20	2		377829 (LHD) 2001A-21	1
	338267 1951-2001-1A-11-21	2		#377830 (LHD) 2001A-21	1
	341592 Lower 2003-3A-4-5-6-7-8-23-55	1		378317 (LHD) 2003A-4-5-7-8-23-55	1
	348465 Upper 2003-3A-4-5-6-7-8-23-55	1		#378373 2003A-4-5-7-8-23-55	1
9.102	AIR CLEANER ASSEMBLY, Carburetor				377827 (LHD) 2020	1
	377233 (Std.) 2000-10-20	1		#348843 (LHD) 2020	1
	377232 (Oil bath) 2000-10-20	1		378418 (RHD) 2001A-21	1
	367338 (Std.) 1951-2001-11-21	1		#378419 (RHD) 2001A-21	1
	373849 (Oil bath) 1951-2001-11-21	1		378415 (RHD) 2020	1
	373849 2001A	1		#348566 (RHD) 2020	1
	377698 2003-3A-4-5-6-7-8-23-55	1	9.1140	ROD, Throttle connecting		
9.1034	BRACE, Air cleaner (to cylinder head)				377828 (LHD) 2001A-21	1
	373035 1951-2000-1-1A-10-11-20-1	1		378316 2003A-4-5-7-8-23-55	1
	6061 (50.003) Screw 5/16-18 x 7/8 hex. hd.	1		377826 (LHD) 2020	1
	3909 (50.200) Washer 5/16	1		378417 (RHD) 2001A-21	1
	358499 (50.940) Grommet	1		378414 (RHD) 2020	1
	358511 (50.925) Insulation	1		338753 Clip 2020	1
9.1035	BRACKET, Air cleaner and silencer support				4280 (50.240) Cotter pin 1/16 x 1/2	1
	377960 2003-3A-4-5-6-7-8-23-55	1		190192 Spring washer	1
	5506 (50.220) Lockwasher 3/8	1		3906 Washer 3/16	1
	7006 (50.100) Nut 3/8-24	1	9.1145	SPRING, Carburetor throttle connecting rod retracting		
9.1036	SPACER, Carb. air cleaner (to cylinder head) brace				371026 1951	1
	358520 1951-2000-1-1A-10-11-20-1	1	9.1147	BRACKET, Carburetor throttle connecting rod retracting spring		
9.106	COVER, Automatic choke manifold heat chamber				371021 1951	1
	333301 2000-10-20	1	9.1165	YOKE END, Throttle connecting rod		
	335192 2001-1A-11-21	1		7513 (50.560) 1951-2001A-3A-4-5-7-8-20-1-3-55	1
	341629 2003-3A-4-5-6-7-8-23-55	1		#335408 (50.560) (LHD) 2001A-20-1	1
	333343 Screw 2000-3-3A-4-5-6-7-8-10-20-3-55	2		#335542 (50.560) 2003A-4-5-7-8-23-55	1
	225148 Screw 2001-1A-11-21	2		354183 (50.560) (RHD) 2001A-20-1	1
9.109	TUBE ASSEMBLY, Automatic choke (to manifold heat chamber cover)				#335984 (50.560) (RHD) 2001A-20-1	1
	356758 (5-1/2" Long) 1951	1		4280 (50.240) Cotter pin 1/16 x 1/2	1
	373952 (8-5/16" Long) 1951	1		7003 (50.100) Nut #10-32	1
	378154 (Not used with manifold having heat chamber cover) 2000-10-20	1		7523 Pin 3/16	1
	382406 (Used with manifold having heat chamber cover) 2000-10-20	1		190192 Spring washer (LHD)	2
	373952 (Not used with manifold having heat chamber cover) 2001-11-21	1	9.1205	SHAFT ASSEMBLY, Carburetor throttle operating		
	382407 (Used with manifold having heat chamber cover) 2001-11-21	1		373366 1951- 2001	1
	378703 (Not used with manifold having heat chamber cover) 2003-3A-4-5-23-55	1		378234 2003	1
	378516 (Not used with manifold having heat chamber cover) 2006-7-8	1		338405 Washer	1
	382408 (Use with manifold having heat chamber cover) 2003-3A-4-5-6-7-8-23-55	1		3874 (50.200) Washer 5/16 plain	1
	320456 Union Nut 1951-20th Sr.	1		330344 (50.242) Spring washer	1
	320457 Union Sleeve 1951-2000-1-1A-20-21	1		300693 .012 Pin	3
9.1115	SHIELD ASSEMBLY, Heat			9.1215	BRACKET, Carburetor throttle operating shaft		
	378405 2003-3A-4-5-6-7-8-23-55	1		367470 Right 1951	1
9.113	INSULATOR, Carburetor				371781 Left 1951	1
	302645 1951-2001-1A-11-21	1		373286 2000-10	1
	341593 2003-3A-4-5-6-7-8-23-55	1		6048 (50.230) Lockwasher 3/8 1951-2000-10	2
9.1135	REPAIR KIT, Carburetor				7866 (50.003) Screw 3/8-16 x 5/8 2000-10	2
	379698 2000-10-20	1		7758 (50.003) Screw 1951-2000-10	2
	373113 1951-2001-1A-11-21	1	9.1225	LEVER ASSEMBLY, Carburetor throttle operating		
	379699 2003-3A-4-5-6-7-8-23-55	-		371018 Right 1951-2001-3-6	1
9.114	CONNECTING ROD ASSEMBLY, Throttle				367259 Left 1951-2001	1
	367284 1951	1		378380 Left 2003-6	1
					7767 (50.003) Screw 1/4-20 x 5/8 hex. hd.	2
					5502 (50.220) Lockwasher 1/4	2
				9.125	LEVER ASSEMBLY, Carburetor throttle operating		
					*367797 2000-10-20	1
					*367796 1951-2001-1A-3-3A-4-5-6-7-8-11-21-3-55	1
				9.126	PIN, Carburetor throttle operating lever assembly		
					*371170 1951-20th Sr.	1
					*4280 (50.240) Cotter Pin 1/16	1

* Used with Electromatic Clutch
Used with Econo-Drive

INDEX NO.	PART NO.	DESCRIPTION AND MODELS	PER CAR	INDEX NO.	PART NO.	DESCRIPTION AND MODELS	PER CAR
CARBURETOR—Continued				CARBURETOR—Continued			
9.127		ADJUSTING SCREW, Carburetor throttle operating lever		9.138		CLEVIS CLIP, Carburetor throttle operating rod end	
	*371050	1951-20th Sr.	1	338753	Right 2000-10	1	
9.128		SPRING, Carburetor throttle operating lever adjusting screw		*338753	Right (LHD) 2000-10-20	1	
	*367478	1951-20th Sr.	1	338752	Left 2000-10	1	
9.129		LOCK PLATE, Carburetor throttle operating lever adjusting screw		*338752	Left 2000-1-3-6-10-11-20	1	
	*371039	Lower 20th Sr.	1	338752	(Bell Crank End) 2000-10	1	
	*371049	Upper 20th Sr.	1	338753	(Carburetor End) 2000-10	1	
9.130		LINK, Carburetor throttle operating lever		9.139		SPRING, Carburetor throttle operating rod retracting	
	373079	2000-10	1	*371026	2001-1A-3-3A-4-5-6-7-8-11-21-3	1	
	*367256	2000-10-20	1	9.140		BRACKET, Carburetor throttle operating rod retracting spring	
	*367254	1951-2001-1A-11-21	1	*371021	2001-1A-11-21	1	
	*367262	2003-3A-4-5-6-7-8-23-55	1	*377558	2003-3A-4-5-6-7-8-23-55	1	
9.131		CLEVIS CLIP, Carburetor throttle operating lever link (rod end)		9.141		TURNBUCKLE, Carburetor throttle operating rod	
	*338752	Left 2000-10-20	2	367312	2000-10	1	
	*338753	Right 1951-2001-1A-3-3A-4-5-6-7-8-11-21-3-55	1	*367312	(Not used with Econo-Drive) 2000-1-3-6-10-11-20	1	
9.132		ROD, Carburetor throttle operating lever		7003	(50.100) Nut #10-32 2000-10	1	
	*373027	(Not used with Econo-Drive) 2000-10	1	9.142		SHAFT, Carburetor throttle operating	
	*378122	(Use with Econo-Drive) 2000-10	1	367280	2001-11	1	
	*373073	(Not used with Econo-Drive) 2001-11	1	*367280	2001-1A-21	1	
	*378119	(Use with Econo-Drive) 2001-11	1	367281	2003-6	1	
	*367301	(Not used with Econo-Drive) 2001A-20-1	1	*367281	2003-3A-4-5-6-7-8-23-55	1	
	*377785	(Use with Econo-Drive) 2001A-20-1	1	300693	Pin 2001-3-6-11	1	
	*378127	2003-6	1	*300693	Pin	1	
	*367231	(Not used with Econo-Drive) 2003A-4-5-7-8-23-55	1	330344	Spring Washer 2001-2003-6-11	1	
	*377799	(Use with Econo-Drive) 2003A-4-5-7-8-23-55	1	*330344	Spring Washer	1	
	4280	(50.240) Cotter pin 1/16	2	3874	(50.200) Washer 5/16 2001-11	1	
	*367303	Nut #10-32	1	338405	Washer 2001-3-6-11	1	
	*7003	(50.100) Nut #10-32	1	*338405	Washer	1	
	*190192	Spring Washer #10	1	6228	Washer 5/16 2003-6	1	
	*3906	Washer #10	2	9.143		BRACKET, Carburetor throttle operating shaft	
9.133		TURNBUCKLE, Carburetor throttle operating lever rod		367470	Right 2001-11	1	
	*367312	(Not used with Econo-Drive) 20th Sr.	1	371781	Left 2001-11	1	
9.134		STOP PIN, Carburetor throttle operating lever		367269	Right 2003-6	1	
	*367488	1951-20th Sr.	1	377689	Left 2003-6	1	
9.135		ROD, Carburetor throttle operating		*367470	2001-1A-21-11	1	
	367313	(Long) 2000-10	1	*367269	2003-3A-4-5-6-7-8-23-55	1	
	373085	(Short) 2000-10	1	9.144		LEVER, Carburetor throttle operating shaft	
	*367313	(Long) 2000-10-20	1	371018	Right 2001-3-6-11	1	
	*373085	(Short) 2000-10-20	1	367259	Left 2001-11	1	
	378638	(LHD) 2001-11	1	378380	Left 2003-6	1	
	*367283	2001-1A-11	1	*367259	Inner 2001-1A-20-11	1	
	378142	2003-6	1	*378145	Inner 2003-3A-4-5-6-7-8-23-55	1	
	*378142	2003-3A-4-5-7-8-23-55	1	*371018	Outer 2001-1A-3-3A-4-5-6-7-8-11-21-3-55	1	
	367283	(RHD) 2001-11	1	*5502	(50.220) Lockwasher	2	
	*7003	(50.100) Nut #10-32 20th Sr.	1	300693	Pin 2001-3-6-11	2	
	*7513	Yoke end	1	*300693	Pin	2	
	*7523	Yoke end pin 3/16	1	*7767	(50.003) Screw 1/4-20 x 5/8	2	
9.136		BELL CRANK, Carburetor throttle operating rod		9.145		LEVERS AND BRACKETS ASSEMBLY, Carburetor throttle operating shaft	
	373004	Lower 2000-10	1	*367331	1951	1	
	367286	Upper 2000-10	1	FUEL PUMP			
	*367286	2000-10-20	1	9.200		PUMP ASSEMBLY, Fuel (See Index 9.800 for detail parts)	
	4280	(50.240) Cotter Pin 1/16 x 1/2	1	364678	2000-10-20	1	
	*4280	(50.240) Cotter Pin 1/16	1	348092	1951-2001-1A-11-21	1	
	373288	Pin	1	378161	2003-3A-4-5-6-7-8-23-55	1	
	194732	Spring Washer	1	120813	Lockwire (11" long)	1	
	373083	Stud	1	324791	Screw 3/8-16 x 1-3/4	2	
	3907	Washer 1/4	1	6781	Washer 3/8	1	
9.137		SPRING, Carburetor throttle operating rod bell crank retracting					
	373390	2000-10	1				
	*373390	2000-10-20	1				

* Used with Electromatic Clutch

FUEL

INDEX NO.	PART NO.	DESCRIPTION AND MODELS	PER CAR
FUEL PUMP—Continued			
9.2001	REPAIR KIT, Fuel pump		
	351072 2000-10-20	1	
	351074 1951-2001-1A-11-21	1	
	98735 2003-3A-4-5-6-7-8-23-55	1	
9.201	BUSHING, Fuel pump		
	324771 1951-20th Sr.....	2	
9.2017	ELBOW, Fuel pump		
	327638 1951-2000-1-1A-10-11-20-1	1	
9.203	GASKET, Fuel pump		
	327807 1951-20th Sr.....	1	
9.2035	SHIELD ASSEMBLY, Heat		
	364639 (Not used on 2020 RHD) 2000-10-20	1	
	377343 2001-11	1	
	364640 LHD 1951-2001A-21.....	1	
	364641 LHD 2003-3A-4-5-6-7-8-23-55	1	
	364689 RHD 2001A-21	1	
	364690 RHD 2003A-4-5-7-8-23-55	1	
	364642 RHD 2020	1	
9.2036	BRACKET, Fuel pump heat shield (lower)		
	364643 (Not used on RHD 2003A-4-5-7-8-55) 20th Sr.	1	
	367174 RHD 2003A-4-5-7-8-55	1	
	5500 (50.220) Lockwasher #10	2	
	7146 (50.004) Screw #10-32 x 1/4	2	
9.205	WASHER, Insulator		
	324772 1951-20th Sr.	2	
9.2053	CONNECTION, Outlet		
	6658 1951-20th Sr.	1	
9.209	TUBE ASSEMBLY, To carburetor		
	378153 2000-10-20	1	
	364664 1951-2001-1A-11-21	1	
	378408 2003-3A-4-5-6-7-8-23-55	1	
	300614 Nut	2	

TANK

Note:— For Gas Tank Gauge Refer To Index Code 4.0600 Thru 4.0602

9.300	TANK ASSEMBLY, Gasoline		
	373579 1951-2000-1-10-11	1	
	358017 2001A-3A-4-5-7-8-21-3-55	1	
	373580 2003-6-23	1	
	358016 2020	1	
	364950 2030	1	
	4564 Drain Plug 1/4-18	1	
9.3005	INLET ASSEMBLY, Gasoline tank		
	373525 1951-2000-1-10-11	1	
	356959 2001A-3A-4-5-7-8-20-1-3-55	1	
	373527 2003-6	1	
	364951 2030	1	
9.302	CAP ASSEMBLY, Inlet		
	379446 1951-20th Sr.	1	
	364881 2030	1	
	8260 Rivet 2030	1	
9.304	RETAINER, Inlet cover		
	303034 1951-20th Sr.	1	
9.3055	WHISTLE ASSEMBLY, Inlet vent		
	371131 1951-2000-1-3-6-10-11	1	
	364720 2030	1	
9.306	STRAP & ANTI-SQUEAK ASSEMBLY, Support - lower		
	373471 1951-2000-1-10-11	2	
	315635 2001A-3A-4-5-7-8-21-3-30-55	2	
	371153 2003-6	2	
	315643 2020	2	

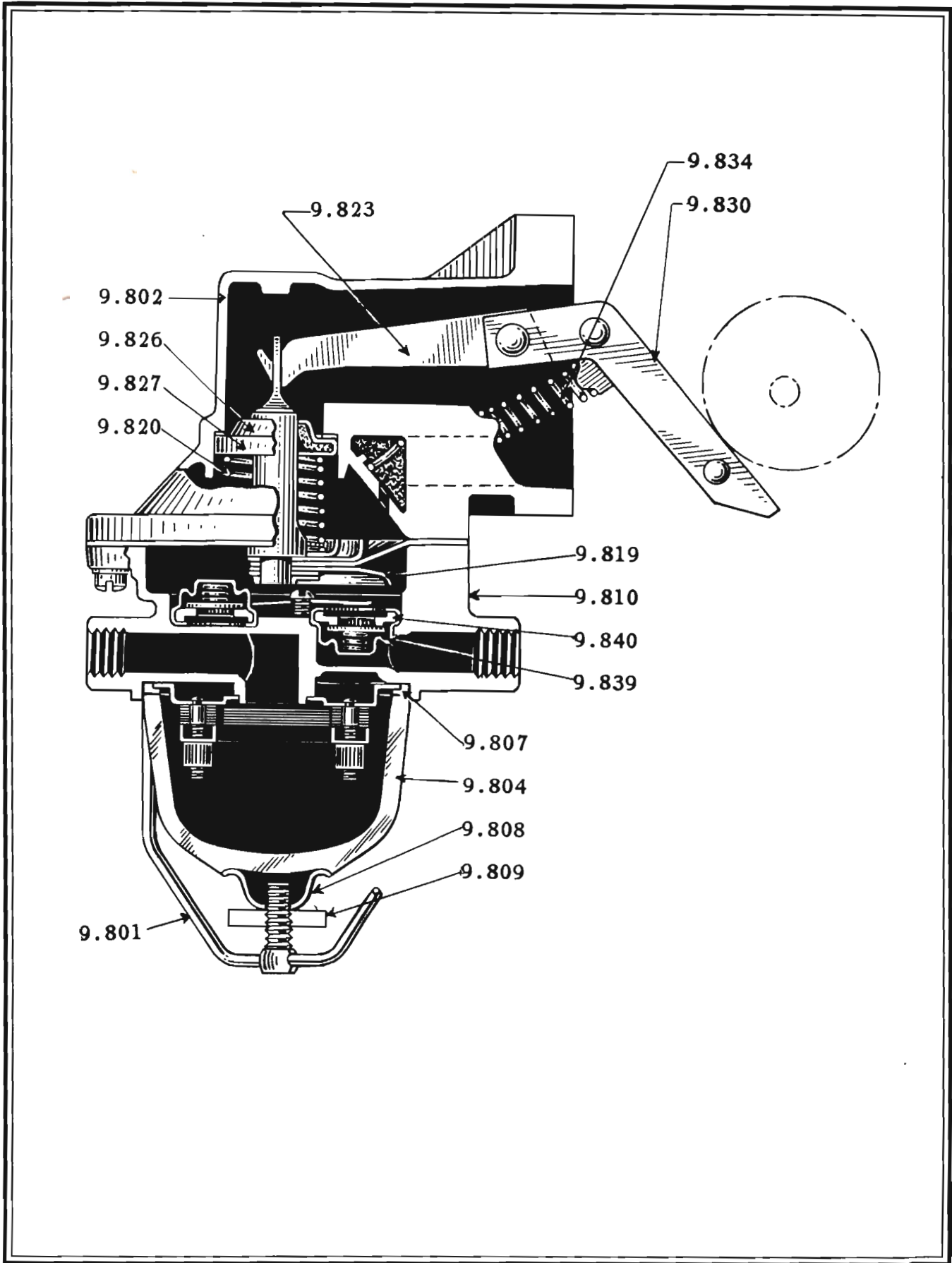
INDEX NO.	PART NO.	DESCRIPTION AND MODELS	PER CAR
TANK—Continued			
9.307	ANTI-SQUEAK, Support strap		
	303347 1951-2000-1-1A-3A-4-5-7-8-10-11-20-1-3-55 ..	2	
	373362 2003-6	2	
9.308	TEE BOLT, Support		
	300997 1951-20th Sr.	2	
	5506 (50.220) Lockwasher 3/8	2	
	7006 (50.100) Nut 3/8-24	2	
9.309	LINER, To frame		
	326755 1951-20th Sr.	2	

TUBING

9.400	TUBE ASSEMBLY, Gasoline		
	373514 1951.....	1	
	373825 2000-10	1	
	373823 2001-11	1	
	358235 2001A	1	
	373824 (LHD) 2003-6	1	
	358237 2003A	1	
	358233 2020	1	
	358234 2021	1	
	358238 Front 2004-7	1	
	358239 Front 2005-8-55	1	
	358236 Front 2023	1	
	364694 Rear 2004-5-7-8-23-55	1	
	364693 2030	1	
	373502 Connection (frame) 1951-2000-10	1	
	378901 Connection (frame) 2001-11	1	
	379006 Connection (frame) 2003-6	1	
	6658 Connector 2000-1-3-6-10-11	1	
	300614 Nut (5/16 flared tube) 1951-20th Sr.	x	
	225465 Nut (5/16 flared tube) 20th Sr.	1	
	303939 Screw 5/16-18 x 1/2 1951 2000-1-3-6-10-11...	1	
	364713 Union (5/16 flared tube-inverted) 2004-5-7-8-23-55.....	1	
9.4005	CLIP, Gasoline tube assembly		
	320547 (50.600) 1951-20th Sr.....	7	
	327512 (50.600) (To frame) 1951-20th Sr.....	1	
	320294 (50.600) (To front channel) 1951-20th Sr....	1	
9.406	HOSE ASSEMBLY, Tube fuel pump inlet		
	367197 1951-20th Sr.....	1	

A C FUEL PUMP

9.800	AIR DOME		
	AC-1523319 2001-1A-3-3A-4-5-6-7-8-11-21-3-55	1	
9.801	BAIL & SCREW		
	AC-1523231 2000-10-20	x	
9.802	BODY & OIL SEAL ASSEMBLY, (Fuel)		
	AC-1537066 2000-10-20	x	
	AC-1537072 1951-2001-1A-3-3A-4-5-6-7-8-11-21-3-55..	x	
9.804	BOWL, (Fuel)		
	AC-1537065 2000-10-20	x	
	AC-1523130 (Metal) 1951 2001-1A-3-3A-4-5-6-7-8-11-21-3-55	x	
9.805	SCREW, Bowl retaining		
	AC-1523131 1951-2001-1A-3-3A-4-5-6-7-8-11-21-3-55..	x	
9.806	GASKET, Bowl retaining screw		
	AC-851644 1951-2001-1A-3-3A-4-5-6-7-8-11-21-3.....	x	
9.807	BOWL GASKET, (Fuel)		
	AC-1523096 2000-10-20	x	
	AC-1523128 1951-2001-1A-3-3A-4-5-6-7-8-11-21-3-55..	x	
9.808	BOWL SEAT		
	AC-854005 2000-10-20	x	



FUEL PUMP

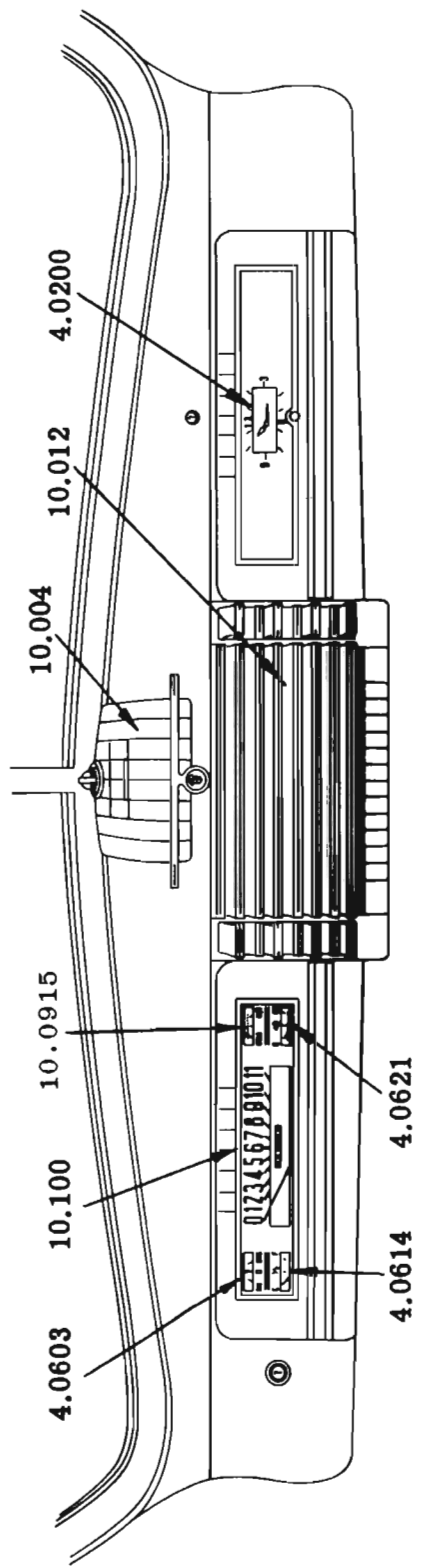
INDEX NO.	PART NO.	DESCRIPTION AND MODELS	PER CAR	INDEX NO.	PART NO.	DESCRIPTION AND MODELS	PER CAR
A. C. FUEL PUMP—Continued				A. C. FUEL PUMP—Continued			
9.809	BOWL THUMB NUT AC-855763	2000-10-20	x	9.847	VALVE STOP PLATE, (Vacuum) AC-1523664	1951-20th Sr.	x
9.810	COVER, (Fuel) AC-1523650	2000-10-20	x	9.848	SCREW, Valve stop plate (Vacuum) AC-132900	1951-20th Sr.	x
		AC-1523945 1951-2001-1A-3-3A-4-5-6-7-8-11-21-3-55..	x				
9.811	SCREW (Cover & body) AC-855493	1951-2001-1A-3-3A-4-5-6-7-8-11-21-3-55...	x				
9.812	GASKET, (Cover & body screw) AC-855064	1951-2001-1A-3-3A-4-5-6-7-8-11-21-1-3-55.	x				
9.817	CURLED HAIR AC-1521553	1951-20th Sr.	x				
9.818	CURLED HAIR RETAINER, (Fuel) AC-1523887	1951-20th Sr.	x				
9.819	DIAPHRAGM ASSEMBLY AC-1523672	2000-10-20	x				
		AC-1537097 (Fuel) 1951 2001-1A-3-3A-4-5-6-7-8-11-21-3-55	x				
9.820	DIAPHRAGM SPRING AC-1523124	(Fuel) 1951-20th Sr.	x				
9.821	DIAPHRAGM SPRING RETAINER AC-1523259	1951-20th Sr.	x				
9.823	LINK AC-1523655	(Fuel) 2000-10-20	x				
		AC-1522077 1951-2001-1A-3-3A-4-5-6-7-8-11-21-3-55 ..	x				
9.824	LINK SPACER AC-1523121	1951-2001-1A-3-3A-4-5-6-7-8-11-21-3-55 ..	x				
9.826	OIL SEAL AC-1523122	(Fuel) 1951-20th Sr.	x				
9.827	OIL SEAL GASKET, (Fuel) AC-1523120	1951-20th Sr.	x				
9.830	ROCKER ARM AC-1537062	2000-10-20	x				
		AC-1537071 1951 2001-1A-3-3A-4-5-6-7-8-11-21-3-55...	x				
9.831	ROCKER ARM PIN AC-1522023	1951-20th Sr.	x				
9.832	ROCKER ARM PIN BUSHING AC-1523221	2000-10-20	x				
9.833	ROCKER ARM PIN WASHER AC-1521288	1951-20th Sr.	x				
9.834	ROCKER ARM SPRING AC-1523118	1951-20th Sr.	x				
9.835	SCREEN AC-1537186	(Fuel) 2000-10-20	x				
		AC-1537193 (Fuel) 1951-2001-1A-3-3A-4-5-6-7-8-11-21-3-55	x				
9.837	STRAINER AC-1523319	1951-2001-1A-3-3A-4-5-6-7-8-11-21-3-55...	x				
9.839	VALVE & CAGE ASSEMBLY, (Fuel) AC-1523106	1951-20th Sr.	x				
9.840	VALVE & CAGE GASKET, (Fuel) AC-1521953	1951-20th Sr.	x				

INSTRUMENT BOARD

10.000 - 10.0117

INDEX NO.	PART NO.	DESCRIPTION AND MODELS	PER CAR	INDEX NO.	PART NO.	DESCRIPTION AND MODELS	PER CAR
PANELS				PANELS—Continued			
NOTE: - To find							
		Ammeter..... See Index 4.0603		10.004	COVER, Ash tray		
		Bulbs See Index 4.06155		371388	(Brown) 1951-2000-1	1	
		Cigar Lighter See Index 4.0104		377466	(Gray) 2001A-3A-4-5-55	1	
		Clock See Index 4.0200		377855	(Gray) 2003-6	1	
		Econo-Drive Lockout		377887	(Brown) 2004-5-55	1	
		Cable See Index 3.404		377854	(Blue) 2010-11	1	
		Electromatic Clutch		378226	(Brown) 2020-1-3	1	
		Switch See Index 4.0560		358576	(Blue) 2020-1-3	1	
		Gas Gauge See Index 4.0614		362907	(Green) 2020-1-3-30	1	
		Ignition Switch See Index 4.1205		362960	(Maroon) 2020-1-3	1	
		Lamp (Front) Switch ... See Index 4.1335		10.0105	SUPPORT, Ash tray & reading light		
		Oil Gauge See Index 4.0621		371560	(Brown) 1951-2000-1	1	
		Reading Light Switch .. See Index 4.1509		377956	(Gray) 2001A-3A-4-5-55	1	
		Speedometer Bulb See Index 4.1700		377972	(Gray) 2003-6	1	
		Temperature Gauge See Index 10.0915		377465	(Brown) 2007-8	1	
				377971	(Blue) 2010-11	1	
10.000	INSTRUMENT BOARD ASSEMBLY, (Less gauges - mouldings - Com't door & etc.)			378194	(Brown) 2020-1-3	1	
				358523	(Blue) 2020-1-3	1	
				362905	(Green) 2020-1-3	1	
				362985	(Maroon) 2020-1-3	1	
				10.0106	MOULDING, Ash tray & reading light support		
				371542	(Chrome) 1951 2000-1-3-6-10-11.....	1	
				▲379852	(Macoid) 2000-1-3-6-10-11	1	
				358626	2001A-3A-4-5-7-8-20-1-3-55	1	
				372701	Clip 2000-1-10-11-23	2	
				5695	(50.220) Lockwasher 1951 2000-1-3-6-10-11..	2	
				7432	(50.000) Screw #8-32 x 3/8 2000-1-3-6-10-11	2	
				6387	(50.000) Washer 3/16 1951 2000-1-3-6-10-11	2	
				10.0107	MEDALLION, Ash Tray support moulding		
				371713	1951 2000-1-3-6-10-11	1	
				10.0108	PLATE, Ash tray support moulding background		
				371714	1951 2000-1-3-6-10-11	1	
				371715	Nut	1	
				10.011	SMUFFER ASSEMBLY, Ash tray		
				373010	1951 20th Sr.	1	
				10.0110	HANDLE, Instrument board bonnet lock		
				372503	(Less knob) 2000-1-3-6-10-11	2	
				10.0112	BRACKET ASSEMBLY, Instrument board bonnet lock handle		
				372608	Right 1951-2000-1-3-6-10-11	1	
				372609	Left 1951 - 2000-1-3-6-10-11	1	
				5504	(50.220) Lockwasher 1/4	2	
				5447	(50.230) Lockwasher 1/4	4	
				7334	Screw 5/16-18x1/2 hex.hd.(to dash) 1951 ...	2	
				7854	(50.003) Screw 1/4-20 x 1/2	2	
				376118	Screw 1/4-20 x 1/2	4	
				372773	Screw 1/4-24x1/2 rnd.hd.(to instrument board) 1951.....	4	
				10.0114	KNOB, Instrument board bonnet lock handle		
				372850	1951 (Brown) 2000-1	2	
				374218	(Gray) 2003-6	2	
				375049	(Blue) 2010-11	2	
				10.0116	LINK, Instrument board bonnet lock handle link dash		
				376066	Right 1951 2000-1-3-6-10-11	1	
				376067	Left 1951 2000-1-3-6-10-11	1	
				10.0117	GROMMET, Instrument board bonnet lock handle link dash		
				372536	1951 2000-1-3-6-10-11	2	
				372005	Washer	2	
10.001	ASH RECEIVER ASSEMBLY, Instrument board						
				371538	(Brown) 1951-2000-1	1	
				377885	2001A-3A-4-5-55	1	
				378088	(Gray) 2003-6	1	
				377886	2004-5-55	1	
				378087	(Blue) 2010-11	1	
				362909	(Green) 2020-21-23-30	1	
				358681	(Blue) 2020-21-23	1	
				362959	(Maroon) 2020-21-23	1	
10.003	SPRING, Ash tray catch						
				373011	20th Sr.	1	

▲ Used on Clipper Four Door Sedans built after Jan. 1, 1942 only. All other body types have chrome trim.



INSTRUMENT BOARD PARTS

INSTRUMENT BOARD

10.0118 - 10.0267

INDEX NO.	PART NO.	DESCRIPTION AND MODELS	PER CAR	INDEX NO.	PART NO.	DESCRIPTION AND MODELS	PER CAR
PANELS—Continued				PANELS—Continued			
10.0118	PIN,	Instrument board bonnet lock handle		10.021	COMPARTMENT,	Instrument board (Cont'd)	
	372642	(To bracket) 1951-2000-1-3-6-10-11	2		359245	(LHD) 2020-1-30-55	1
	372602	(Spacer to link) 1951-2000-1-3-6-10-11	2		375333	(RHD) 2000-1-10-11	1
	372603	(Spacer to bracket) 1951-2000-1-3-6-10-11	2		363033	(RHD) 2004-5-7-8-23-55	1
	372643	(To link) 1951-2000-1-3-6-10-11	2		363032	(RHD) 2020-21	1
	207750	(50.242) Spring Washer	x		370268	(50.150) Acorn Nut #10-24 1951 2000-1-3-6-10-11	2
10.012	PANEL ASSEMBLY,	Center			370269	Screw No.10-24 x 7/16 1951	2
	371539	(Chrome) 1951 2000-1-3-6-10-11	1		8068	(50.000) Screw #10-24 x 7/16 2000-1-3-6-10-11	2
	▲379844	(Macoid) 2000-1-3-6-10-11	1		7140	(50.300) Screw #10 x 1/2 1951 2000-1-3-6-10-11	4
	377889	(Gray) 2001A	1		7330	(50.200) Washer #10 1951-2000-1-3-6-10-11	2
	378253	(Gray) 2003A-4-5-7	1	10.022	DOOR,	Compartment	
	377890	(Brown) 2007-8	1		372790	1951	1
	362956	(Blue) 2020-1	1		375074	(Chrome trim) LHD (Less medallion) 2000-1	1
	378076	(Brown) 2020-21	1		▲375827	(Paint trim) LHD (Less clock) 2000-1-10-11	1
	362958	(Green) 2020-1-30	1		374373	LHD (Less clock) (Supersedes 374746) 2001A	1
	362962	(Maroon) 2020-1	1		375076	(Chrome trim) LHD (Less clock) 2003	1
	358894	(Blue) 2023	1		▲375828	(Paint trim) LHD (Less clock) 2003	1
	378252	(Brown) 2023	1		374542	LHD (Less clock) 2004-5	1
	362914	(Green) 2023	1		375417	(Chrome trim) LHD (Less clock) 2006	1
	362915	(Maroon) 2023	1		▲375830	(Paint trim) LHD (Less clock) 2006	1
	377889	(Gray) 2055	1		374556	LHD (Less clock) 2007-8	1
	5502	(50.220) Lockwasher 1/4 split 1951 2000-1-3-6-10-11	4		375075	(Chrome trim) LHD (Less clock) 2010-11	1
	3516	(50.220) Lockwasher #6 2003A-4-5-7-8-2023	2		374564	LHD (Less clock) (Black & Maroon) 2020-1	1
	5695	(50.220) Lockwasher #8 2001A-4-5-7-8-20-1-3-55	x		359862	LHD (Less clock) (Blue) 2020-1	1
	7002	(50.100) Nut #8-32 plain 2001A-3A-4-5-7-8-20-1-3-55	x		374558	LHD (Less clock) (Brown) 2020-1	1
	7796	(50.003) Screw 1/4-20 x 9/16 1951 2000-1-3-6	4		363340	LHD (Less clock) (Green) 2020-1	1
	7646	(50.300) Screw #6 x 14 tapping 2001A-3A-4-5-7-8-20-1-3	3		363348	LHD (Less clock) (Tan & Maroon) 2020-1	1
	7502	(50.000) Screw #6-32 x 3/8 2003A-4-5-7-8-20-23-55	2		374562	LHD (Less clock) (Black & Maroon) 2023	1
	7319	(50.200) Washer 1/4 plain 1951 2000-1-3-6-10-11	4		359872	LHD (Less clock) (Blue) 2023	1
	6387	(50.200) Washer #8 2001A-3A-4-5-7-8-20-1-3-55	x		374560	LHD (Less clock) (Brown) 2023	1
	7328	(50.200) Washer #6 2003A-4-5-7-8-23	2		363562	LHD (Less clock) (Green) 2023	1
10.0154	GRILLE,	Center panel			363358	LHD (Less clock) (Tan & Maroon) 2023	1
	358851	2003A-4-5-7-8-23	1		375479	2030	1
	377889	2055	1		374373	LHD (Less clock) (Gray tenite) 2055	1
10.0155	RETAINER STRIP,	Center panel grille			375335	RHD (Less clock) 2000-1	1
	358896	2003A-4-5-7-8-2023	1		374571	RHD (Less clock) 2004-5-55	1
	3516	(50.220) Lockwasher #6 split	2		374557	RHD (Less clock) 2007-8	1
	7413	(50.000) Screw #6 x 14	2		375334	RHD (Less clock) 2010-11	1
10.0173	MOUNTING PLATE,	Center panel			374559	RHD (Less clock) (Tan & Brown) 2020-21	1
	377894	(Gray) 2001A-3A-4-5-55	1		363349	RHD (Less clock) (Tan & Maroon) 2020-21	1
	377893	(Brown) 2007-8	1		374565	RHD (Less clock) (Black & Maroon) 2020-21	1
	362933	(Blue) 2020-1-3	1		359863	RHD (Less clock) (Blue Gray & Blue) 2020-21	1
	378077	(Brown) 2020-1-3	1		363341	RHD (Less clock) (Green Gray & Green) 2020-21	1
	362935	(Green) 2020-1-3-30	1		359873	RHD (Less clock) (Blue Gray & Blue) 2023	1
	362963	(Maroon) 2020-1-3	1		363359	RHD (Less clock) (Tan & Maroon) 2023	1
	8261	(50.400) Rivet 9/64 x 1/4	3		374561	RHD (Less clock) (Tan & Brown) 2023	1
10.0174	SCREEN,	Center panel			374563	RHD (Less clock) (Black & Maroon) 2023	1
	371796	1951	1		363563	RHD (Less clock) (Green Gray & Green) 2023	1
	358856	2001A-20-21-55	1	10.023	ANTI-RATTLER,	Compartment door	
	358858	2003A-4-5-7-8-23	1		375077	(Upper) 2000-1-3-6-10-11	2
	371717	(50.150) Speed nut (Tinnerman) 1951	4		328537	(Lower) 2000-1-3-6-10-11	2
	348495	Nut 2001A-20-21-55	4		359814	1951 2004-5-7-8-20-1-3-30-55	2
10.0175	TRIM BAR,	Center panel		10.0264	CHECK STRAP,	Compartment door	
	358860	Right 2001A-20-23-55	1		359810	2004-5-7-8-20-1-3-30-55	1
	358861	Left 2001A-20-21-55	1		7500	(50.001) Screw #8-32 x 5/16	2
10.021	COMPARTMENT,	Instrument board		10.0265	STOP,	Compartment door check strap	
	370410	1951	1		359812	2004-5-7-8-20-1-3-30-55	2
	375073	(LHD) 2000-1-3-10-11	1	10.0266	BUMPER,	Compartment door check strap stop	
	359294	(LHD) 2004-5-7-8-23	1		359813	2004-5-7-8-20-1-3-30-55	1
	375072	(LHD) 2006	1		326583	(50.400) Rivet 1/8 x 9/32	2
				10.0267	SPRING,	Compartment door check strap stop	
					359811	2004-5-7-8-20-1-3-30-55	1

▲ Used on Clipper Four Door Sedans built after Jan. 1, 1942 only. All other body types have chrome trim.

INSTRUMENT BOARD

INDEX NO.	PART NO.	DESCRIPTION AND MODELS	PER CAR	INDEX NO.	PART NO.	DESCRIPTION AND MODELS	PER CAR
PANELS—Continued				PANELS—Continued			
10.0268	PLUG	Instrument board compartment door clock hole		10.0355	PANEL	Instrument board compartment door	
	374675	2030	1	372120	1951		1
	359058	2055	1	10.036	PLATE	Compartment door striker	
10.0269	CLIP	Instrument board compartment door clock hole plug		359739	2004-5-7-8-20-1-3-30-55		1
	369547	2030-55	2	6056	(50.230) Lockwasher #10 external		1
10.028	HINGE	Compartment door		7411	(50.000) Screw #10-32 x 5/16		2
	372258	LHD 1951 2000-1-3-6-10-11	1	10.038	MEDALLION ASSEMBLY	Compartment door	
	359738	2004-5-7-8-20-1-3-55	2	375098	(Brown) 2000-1		1
	380421	RHD 2000-1-10-11	1	382376	(Gray) 2003-6		1
	6472	Lockwasher #8 1951 2000-1-3-6-10-11	4	382375	(Blue) 2010-11		1
	5491	(50.230) Lockwasher #10 C'sunk 2004-5-7-8-20-1-3-30-55	4	10.0425	TRIM BAND	Compartment door	
	7002	Nut #8-32 1951 2000-1-3-6-10-11	4	374544	2003A-4-5-55		1
	359895	(50.400) Rivet 2004-5-7-8-20-1-3-30-55	x	374589	(Brown) 2007-8		1
	5696	Screw No.8-32 x 3/8 (to door) 1951	4	358881	(Blue) 2023		1
	372971	Screw #8-32 x 3/8 1951 2000-1-3-6-10-11	3	374588	(Brown) 2023		1
	376351	Screw #8-32 x 3/8 2000-1-3-6-10-11	4	362931	(Green) 2023		1
	372972	Screw #10 -32 x 1/4 (to instrument board side) 1951	4	362932	(Maroon) 2023		1
	380419	Screw #10-32 x 3/8 2000-1-3-6-10-11	4	10.0445	TRIM PANEL	Compartment door	
	7452	(50.001) Screw #10-32 x 5/16 2004-5-7-8-20-1-3-30-55	4	372156	(Tenite No. 9810-Brown) 1951		1
	7732	(50.300) Screw #8 x 5/8 2004-5-7-8-20-1-3-30-55	2	374376	LHD 2001A-55		1
10.0285	STOP	Instrument board compartment door hinge		374545	LHD 2003A-4-5		1
	367017	1951-2000-1-3-6-10-11	2	374566	2007-8		1
10.0305	KEY	Compartment door lock		359882	LHD (Blue) 2020-1		1
	229255	1951-20th Sr.	2	374572	LHD (Brown) 2020-1		1
10.03055	LOCK ASSEMBLY	Compartment door		363334	LHD (Green) 2020-1-30		1
	372876	1951	1	363338	LHD (Maroon) 2020-1		1
	349422	2000-1-3-6-10-11	1	359886	LHD (Blue) 2023		1
	359779	2004-5-7-8-20-1-3-30-55	1	374568	LHD (Brown) 2023		1
10.0317	CATCH ASSEMBLY	Inst.board compartment door lock		359888	LHD (Green) 2023		1
	372877	1951	1	363354	LHD (Maroon) 2023		1
	7113	Screw No.10-24 x 1/2 1951	2	374570	RHD 2004-5		1
	5935	Lockwasher No.10 1951	2	374567	RHD 2007-8		1
10.0319	REINFORCEMENT	Inst.board compartment door lock catch		363339	RHD (Maroon) 2020-21		1
	372847	1951	1	359883	RHD (Blue) 2020-21		1
10.032	CUP	Compartment door lock		374573	RHD (Brown) 2020-21		1
	375085	2000-1-3-6-10-11	1	363335	RHD (Green) 2020-21		1
	359780	1951-2004-5-7-8-20-1-3-30-55	1	359887	RHD (Blue) 2023		1
	3516	(50.220) Lockwasher #6	1	363355	RHD (Green) 2023		1
	7397	(50.000) Screw #6-32 x 5/16 Rnd. Hd.	1	374569	RHD (Brown) 2023		1
10.035	SIRIKER	Compartment door lock		359889	RHD (Green) 2023		1
	380270	(Supersedes 375086) 2000-1-3-6-10-11	1	10.0483	KNOB	Instrument board control (See 4.01041 for Cigar Lighter - 4.0566 for Electromatic Clutch 4.1337 for Headlight - 4.06208 for Instrument Cluster - 4.1513 for Map Light)	
	5500	(50.220) Lockwasher #10	1	371413	(Plain) 1951		4
	5772	(50.000) Screw #10-32 x 3/8	1	373195	(Chrome) (Defroster) 2000-1-3-6-10-11		1
10.0351	REINFORCEMENT	Compartment door lock striker		▲379856	(Paint) (Defroster) 2000-1-3-6-10-11		1
	375480	2000-1-3-6-10-11	1	377706	(Chrome) (Fresh Air Intake) 2000-1-3-6-10-11		1
	375458	Screw #8-32 x 3/8	2	▲379857	(Paint) (Fresh Air Intake) 2000-1-3-6-10-11		1
	6387	(50.200) Washer #8	2	373196	(Chrome) (Heater) 2000-1-3-6-10-11		1
10.0352	MOULDING	Instrument board compartment door		▲379859	(Paint) (Heater) 2000-1-3-6-10-11		1
	372155	(Metal) 1951	1	371415	Screw		1
	375087	(Chrome) 2000-1-3-6-10-11	1	7330	(50.200) Washer-Plain 1951		4
	▲379847	(Macoid) 2000-1-3-6-10-11	1	5500	(50.220) Lockwasher 1951		4
	375228	RHD (Chrome) 2000-1-10-11	1	7003	(50.100) Nut No.10-32 1951		4
	▲379848	RHD (Macoid) 2000-1-10-11	1	10.054	BEZEL	Instrument cluster	
	6056	(50.230) Lockwasher #10	2	379792	2000-1-3-6-10-11		1
	375342	Screw	2	10.0546	DIAL	Instrument cluster	
				379794	2000-1-3-6-10-11		1
				358890	(MPH) 1951-2001A-3A-4-5-7-8-23-55		1
				358887	(MPH) 2020-1		1
				358900	(KPH) 2020-1		1
				358909	(KPH) 1951-2001A-3A-4-5-7-8-23-55		1

▲ Use on Clipper Four Door Sedans built after Jan. 1, 1942 only. All other body types have chrome trim.

INSTRUMENT BOARD

10.0548 - 10.065

INDEX NO.	PART NO.	DESCRIPTION AND MODELS	PER CAR	INDEX NO.	PART NO.	DESCRIPTION AND MODELS	PER CAR
PANELS—Continued				PANELS—Continued			
10.0548		SOCKET ASSEMBLY, Cluster direction signal indicator light		10.0614		BRACKET, Cluster panel	
	377731	LHD (Right) 2004-5-7-8-20-1-3-55	1		377948	Right LHD (Brown) 2001A-3A-4-5-7-8-55	1
	377730	LHD (Left) 2004-5-7-8-20-1-3-55	1		378156	Right LHD (Black) 2020-1-3	1
10.0575		RETAINER, Instrument cluster			364440	Right LHD (Blue Gray) 2020-1-3	1
	379793	(Brown) 2000-1	1		364441	Right LHD (Green Gray) 2020-1-3-30	1
	379795	(Gray) 2003-6	1		358922	Right LHD (Tan) 2020-1-3	1
	379796	(Blue) 2010-11	1		377947	Left LHD (Brown) 2001A-3A-4-5-7-8-55	1
10.058		PANEL ASSEMBLY, Instrument cluster (Less instruments)			378155	Left LHD (Black) 2020-1-3	1
	372314	1951	1		364438	Left LHD (Blue Gray) 2020-1-3	1
	377647	LHD 2000-1-10-11	1		364439	Left LHD (Green Gray) 2020-1-3-30	1
	377944	LHD (Gray) 2001A-55	1		358921	Left LHD (Tan) 2020-1-3	1
	*378148	LHD (Gray) 2001A	1		377950	Right RHD (Brown) 2001A-3A-4-5-7-8-55	1
	377651	LHD 2003	1		378513	Right RHD (Black) 2020-1-3	1
	377903	LHD (Gray) 2003A-4-5	1		364444	Right RHD (Blue Gray) 2020-1-3	1
	*378133	LHD (Gray) 2003A-4-5	1		364445	Right RHD (Green Gray) 2020-1-3	1
	379142	LHD 2006	1		358924	Right RHD (Tan) 2020-1-3	1
	377904	LHD (Brown) 2007-8	1		377949	Left RHD (Brown) 2001A-3A-4-5-7-8-55	1
	*378134	LHD (Brown) 2007-8	1		378511	Left RHD (Black) 2020-1-3	1
	378299	LHD (Blue) 2020-1	1		364442	Left RHD (Blue Gray) 2020-1-3	1
	*378137	LHD (Blue) 2020-1	1		364443	Left RHD (Green Gray) 2020-1-3	1
	378191	LHD (Brown) 2020-1	1		358923	Left RHD (Tan) 2020-1-3	1
	*378135	LHD (Brown) 2020-1	1		5935	(50.230) Lockwasher #10 2001A-3A-4-5-7-8-20-1-3-55	4
	378300	LHD (Green) 2020-1-30	1		7360	Screw #10-32 x 1/4 2001A-3A-4-5-7-8-20-1-3-55	4
	*378138	LHD (Green) 2020-1	1	10.0635		TRIM, Instrument board instrument panel plastic	
	378192	LHD (Maroon Plastic - Black Paint) 2020-1 ..	1		372156	1951	1
	*378139	LHD (Maroon Plastic - Black Paint) 2020-1 ..	1		377954	LHD (Gray) 2001A	1
	378301	LHD (Maroon Plastic - Brown Paint) 2020-1 ..	1		377951	LHD (Gray) 2003A-4-5	1
	*378136	LHD (Maroon Plastic - Brown Paint) 2020-1 ..	1		378199	LHD (Brown) 2007-8	1
	378263	LHD (Blue) 2023	1		358840	LHD (Blue) 2020-1	1
	*378130	LHD (Blue) 2023	1		378197	LHD (Brown) 2020-1	1
	378262	LHD (Brown) 2023	1		362922	LHD (Green) 2020-1-30	1
	*378128	LHD (Brown) 2023	1		362923	LHD (Maroon) 2020-1	1
	378264	LHD (Green) 2023	1		358847	LHD (Blue) 2023	1
	*378131	LHD (Green) 2023	1		378198	LHD (Brown) 2023	1
	378266	LHD (Maroon Plastic - Black Paint) 2023	1		362924	LHD (Green) 2023	1
	*378132	LHD (Maroon Plastic - Black Paint) 2023	1		362925	LHD (Maroon) 2023	1
	378265	LHD (Maroon Plastic - Brown Paint) 2023	1		358843	RHD (Blue) 2020-1	1
	*378129	LHD (Maroon plastic - Brown Paint) 2023	1		378280	RHD (Brown) 2020-1	1
	377648	RHD 2000-1-10-11	1		362927	RHD (Green) 2020-1	1
	378506	RHD (Blue) 2020-1	1		362928	RHD (Maroon) 2020-1	1
	378505	RHD (Brown) 2020-1	1		358850	RHD (Blue) 2023	1
	378507	RHD (Green) 2020-1	1		378281	RHD (Brown) 2023	1
	378509	RHD (Maroon Plastic - Black Paint) 2020-1 ..	1		362929	RHD (Green) 2023	1
	378508	RHD (Maroon Plastic - Brown Paint) 2020-1 ..	1		362930	RHD (Maroon) 2023	1
	378272	RHD (Blue) 2023	1	10.0645		TRIM BAND, Instrument panel	
	378271	RHD (Brown) 2023	1		372155	1951	1
	378273	RHD (Green) 2023	1		377389	LHD (Chrome) 2000-1-3-6-10-11	1
	378275	RHD (Maroon Plastic - Black Paint) 2023	1		▲379845	LHD (Macoid) 2000-1-3-6-10-11	1
	378274	RHD (Maroon Plastic - Brown Paint) 2023	1		374544	(Gray) (Metal) 2003A-4-5	1
	377872	2055	1		374589	(Brown) (Metal) 2007-8	1
	6586	(50.000) Screw No.8-32 x 1/2 rnd.hd. 1951 ..	4		358881	(Blue) (Metal) 2023	1
	371505	(50.003) Screw No.10-32 x 1-3/8" 1951	4		374588	(Brown) (Metal) 2023	1
	372963	Screw 5/16-24 x 7/8 2000-1-3-6-10-11	2		362931	(Green) (Metal) 2023	1
	376052	Screw 2000-1-3-6-10-11	7		362932	(Maroon) (Metal) 2023	1
	372971	Screw #8-32 x 3/8 2000-1-3-6-10-11	2		377390	RHD (Chrome) 2000-1-10-11	1
	7437	(50.000) Screw #10-32 x 5/16 2001A-3A-4-5-7-8-20-1-3-55	4		▲379846	RHD (Macoid) 2000-1-10-11	1
	7003	(50.100) Nut No.10-32 1951	8		5935	(50.230) Lockwasher #10 2000-1-3-6-10-11 ..	4
	370476	Clinch-on Nut 2000-1-3-6-10-11	2		8068	(50.000) Screw #10-24 x 7/16 2000-1-3-6-10-11	4
	6472	(50.230) Lockwasher No.8 1951	4	10.065		TRIM STRIP, Instrument panel	
	6044	(50.230) Lockwasher 5/16 2000-1-3-6-10-11 ..	2		377387	(Left end) (Chrome) 2000-1-3-6-10-11	1
	5500	(50.220) Lockwasher #10 1951-2001A-3A-4-5-7-8-20-1-3-55	4		▲379849	(Left end) (Macoid) 2000-1-3-6-10-11	1
	6757	(50.220) Washer 1951	4		377407	(Right end) (Chrome) 2000-1-3-6-10-11	1
	6653	(50.200) Washer 3/16 2001A-3A-4-5-7-8-20-1-3-55	4		▲379850	(Right end) (Macoid) 2000-1-3-6-10-11	1
					324759	Nut	8

▲ Used on Clipper Four Door Sedans built after Jan. 1, 1942 only. All other body types have chrome trim.
 * Used with Electromatic Clutch.

INDEX NO.	PART NO.	DESCRIPTION AND MODELS	PER CAR
PANELS—Continued			
10.087	COVER ASSEMBLY, Radio opening		
	371541 (Chrome) 1951-2000-1-3-6-10-11.....	1	
	▲379863 (Macoïd) 2000-1-3-6-10-11.....	1	
	358675 2001A-3A-4-5-7-8-20-1-3-55.....	1	
	358695 Clip 2001A-3A-4-5-7-8-20-1-3-55.....	2	
	371717 Nut 1951-2000-1-3-6-10-11.....	2	
10.0876	MEDALLION, Radio opening cover		
	213866 2001A-3A-4-5-7-8-20-1-3-55.....	1	
10.088	SHIELD & MOULDING ASSEMBLY, Reading light		
	377957 2001A-3A-4-5-55.....	1	
	377464 2007-8.....	1	
	358641 (Blue) 2020-1-3.....	1	
	378165 (Brown) 2020-1-3.....	1	
	362913 (Green) 2020-1-3-30.....	1	
	362984 (Maroon) 2020-1-3.....	1	
	5695 (50.220) Lockwasher #8.....	3	
	7432 (50.000) Screw #8-32 x 3/8.....	3	
	6387 (50.200) Washer #8.....	3	
10.0915	GAUGE, Instrument board temperature		
	377430 (Beige) 1951.....	1	
	379388 (Silver) 2000-1-10-11.....	1	
	364838 (Silver) 2001A-3A-4-5-55.....	1	
	379389 (Bronze) 2003-6.....	1	
	364833 (Bronze) 2007-8-23.....	1	
	379668 (Blue) 2020-1.....	1	
	379667 (Brown) 2020-1.....	1	
	379669 (Green) 2020-1-30.....	1	
	379670 (Maroon) 2020-1.....	1	
SPEEDOMETER			
10.100	SPEEDOMETER, Instrument board		
	364906 (MPH) (Beige) 1951.....	1	
	367053 (KPH) (Beige) 1951.....	1	
	377728 (MPH) (LHD) (Brown) 2000-1.....	1	
	364904 (MPH) (Silver) 2001A-3A-4-5-23-55.....	1	
	377699 (MPH) (LHD) (Gray) 2003-6.....	1	
	364905 (MPH) (Bronze) 2007-8-23.....	1	
	379102 (MPH) (LHD) (Blue) 2010-11.....	1	
	367606 (MPH) (LHD) (Beige) 2020-1.....	1	
	364907 (MPH) (LHD) (Blue) 2020-1.....	1	
	364910 (MPH) (LHD) (Brown) 2020-1.....	1	
	364909 (MPH) (LHD) (Green) 2020-1.....	1	
	364908 (MPH) (LHD) (Maroon) 2020-1.....	1	
	377729 (KPH) (LHD) (Brown) 2000-1.....	1	
	367051 (KPH) (Silver) 2001A-3A-4-5-23-55.....	1	
	377700 (KPH) (LHD) (Gray) 2003-6.....	1	
	367052 (KPH) (Bronze) 2007-8-23.....	1	
	379103 (KPH) (LHD) (Blue) 2010-11.....	1	
	367607 (KPH) (LHD) (Beige) 2020-1.....	1	
	367054 (KPH) (LHD) (Blue) 2020-1.....	1	
	367057 (KPH) (LHD) (Brown) 2020-1.....	1	
	367056 (KPH) (LHD) (Green) 2020-1.....	1	
	367055 (KPH) (LHD) (Maroon) 2020-1.....	1	
	378680 (MPH) (RHD) (Brown) 2000-1.....	1	
	379104 (MPH) (RHD) (Blue) 2010-11.....	1	
	378681 (KPH) (RHD) (Brown) 2000-1.....	1	
	379105 (KPH) (RHD) (Blue) 2010-11.....	1	
10.1025	BEZEL, Speedometer		
	379756 2000-1-3-6-10-11.....	1	
10.104	CLAMP, inst.board speed cable (to trans. lockout cable)		
	146955 (LHD) (use with Econo Drive) 1951.....	1	
10.105	CASE ASSEMBLY, Speedometer		
	379806 LHD 2000-1.....	1	
	379808 LHD 2003-6-10-11.....	1	
	379807 RHD 2000-1.....	1	
	379809 RHD 2010-11.....	1	

INDEX NO.	PART NO.	DESCRIPTION AND MODELS	PER CAR
SPEEDOMETER—Continued			
10.110	DIAL, Speedometer		
	379799 MPH (Plastic) 2000-1-3-6-10-11.....	1	
	379800 KPH (Plastic) 2000-1-3-6-10-11.....	1	
10.1245	BRACKET, Speed, reset		
	362347 (LHD) (Tan) 2001A-3A-4-5-7-8-23-55.....	1	
	364446 (LHD) (Blue Gray) 2023.....	1	
	364447 (LHD) (Green Gray) 2023.....	1	
	364220 (RHD) 2001A-3A-4-5-7-8-23-55.....	1	
10.125	KNOB, Speedometer reset		
	358156 2001A-3-3A-4-5-6-7-8-10-11-23-55.....	1	
10.1250	SET SCREW, Speedometer reset knob		
	358157 2001A-3-3A-4-5-6-7-8-10-11-23-55.....	1	
10.1251	NUT (KNURLED), Speedometer reset knob cable		
	358158 2001A-3-3A-4-5-6-7-8-10-11-23-55.....	1	
10.127	SHAFT ASSEMBLY, Speedometer		
	373829 1951.....	1	
	*373737 1951.....	1	
	378331 (LHD) 2000-1-3-6-10-11.....	1	
	*373737 (LHD) 2000-1-3-6-10-11.....	1	
	*347535 (LHD) 2001A-3A-4-5-7-8-20-1-3-55.....	1	
	367165 (LHD) 2001A-3A-4-5-7-8-20-1-3-55.....	1	
	378332 (RHD) 2000-1-10-11.....	1	
	*378331 (RHD) 2000-1-10-11.....	1	
	347535 (RHD) 2001A-3A-4-5-7-8-20-1-3-55.....	1	
	*354119 (RHD) 2001A-3A-4-5-7-8-20-1-3-55.....	1	
10.128	CABLE, Speedometer Shaft		
	378255 (Use with Econo Drive) 1951.....	1	
	228539 (50.600) Clip (to X member).....	1	
	371211 (50.600) Clip (to toe board).....	1	
	371211 (50.600) Clip (to dash) (without Econo drive).....	1	
	371212 (50.600) Clip (to dash) (with Econo drive).....	1	
	7653 (50.300) Screw No. 10-3/8 bind.hd. type A..	2	
	6757 (50.200) Washer No. 10.....	1	
	362818 LHD (Use with Econo Drive) 2001A-3A-4-5-7-8-55.....	1	
	362818 RHD (86-1/4" long) 2001A-3A-4-5-7-8-20-1-3-55.....	1	
10.1283	CABLE KIT, Speedometer shaft		
	378085 (Not used on Econo Drive equipped 1951-2001A-3A-4-5-7-8-55) 20th Sr.....	1	
10.1285	CLAMP, Speedometer shaft assembly		
	347539 1951-20th Sr.....	1	
	5502 (50.220) Lockwasher 1/4.....	1	
	7474 (50.004) Screw 1/4-20 x 5/8.....	1	
10.129	GASKET, Speedometer shaft assembly clamp		
	347549 1951-20th Sr.....	1	

Used with Econo Drive

▲ Used on Clipper Four Door Sedans built after Jan. 1, 1942 only. All other body types have chrome trim.

RADIATOR

11.001 - 11.0122

INDEX NO.	PART NO.	DESCRIPTION AND MODELS	PER CAR	INDEX NO.	PART NO.	DESCRIPTION AND MODELS	PER CAR
CORE				CORE—Continued			
11.001		CAP ASSEMBLY, Radiator		11.0086		BRACKET, Radiator core cradle (to fender) (Cont'd)	
	362090	1951	1		7164 (50.120)	Nut 3/8-16 2001A-20-1	2
	377265	(7#) 20th Sr.	1		7931 (50.003)	Screw 5/16-24 x 11/16 2000-1-10-11	4
	378656	(With chain) 2030	1		6359 (50.200)	Washer 5/16 2001A-3A-4-5-7-8-20-1-3-55	x
	7149	Screw #6 x 3/8 2030	1		7320 (50.200)	Washer 3/8 1951-2003-6	4
11.002		GASKET, Radiator cap assembly		11.0105		REINFORCEMENT ASSEMBLY, Core cradle (to splash side)	
	242615	1951-20th Sr.	1		362019	Right 2001A-20-1	1
11.003		CORE & BRACKET ASSEMBLY, Radiator			362023	Right 2003A-4-5-7-8-23-55	1
	371111	1951	1		362018	Left 2001A-20-1	1
	378918	2000-10	1		362022	Left 2003A-4-5-7-8-23-55	1
	378636	2001-11	1		358633	Nut 1/4-28	8
	377243	2001A	1	11.0111		BAR, Core cradle tie	
	378448	2003-6	1		358006	2001A-3A-4-5-7-8-20-1-3-55	1
	577240	2003A-4-5-7-8-23-55	1	11.0112		TIE ROD ASSEMBLY, Core cradle (to frame)	
	377244	2020	1		371306	1951-2000-1-3-6-10-11	2
	377242	2021	1		364027	Left 2001A-20-1	1
11.0045		CRADLE ASSEMBLY, Radiator core			364029	Left 2003A-4-5-7-8-23-55	1
	371302	1951	1		364028	Right 2001A-20-1	1
	378596	2000-1-10-11	1		364030	Right 2003A-4-5-7-8-23-55	1
	356944	2001A-20-1	1		5506 (50.220)	Lockwasher 3/8 1951-2000-1-3-6-10-11	2
	378692	2003-6	1		5508 (50.220)	Lockwasher 7/16 2003A-4-5-7-8-23-55	2
	356913	2003A-4-5-7-8-23-55	1		7007 (50.100)	Nut 7/16-20 2001A-3A-4-5-7-8-20-1-3-55	4
	358109	(50.050) Bolt 1/2-20 2000-1-1A-3A-4-5-7-8-10-11-23-55	1		7414 (50.003)	Screw 3/8-24 x 7/8 hex. hd. 1951	2
	320987	(50.092) Bolt 1/2-20 x 1-7/8 1951-2003-6-20-1	1		7387 (50.003)	Screw 3/8-24 x 7/8 2000-1-3-6-10-11	2
	4291	(50.240) Cotter pin 3/32 x 3/4 20th Sr. ..	1	11.0113		BRACKET, Core cradle (to frame) tie rod	
	358110	(50.950) Insulator 1951-20th Sr.	1		362825	1951-20th Sr.	2
	5385	(50.230) Lockwasher 5/16 2003-6	2		7777 (50.003)	Bolt 3/8-24 x 2-3/4 hex. hd. 1951 ..	4
	7049	(50.230) Lockwasher 5/16 1951-20th Sr. ...	x		7845 (50.003)	Bolt 3/8-24 x 2-3/4 2000-1-3-6-10-11	4
	218777	(50.100) Nut 3/8-24 1951-2000-1-3-6-10-11 ..	x		7819 (50.003)	Bolt 3/8-24 x 1" 2001A-3A-4-5-7-8-20-1-3-55	4
	358633	(50.150) Nut 1/4-28 1951	3		5506 (50.220)	Lockwasher 3/8 1951-2000-1-3-6-10-11	4
	325782	(50.100) Nut 5/16-24 2001A-3A-4-5-7-8-20-1-3-55	x		6902 (50.120)	Locknut 3/8-24 2001A-3A-4-5-7-8-20-1-3-55	4
	7108	(50.110) Nut 1/2-20 1951-20th Sr.	1		7006 (50.100)	Nut 3/8-24 1951-2000-1-3-6-10-11 ..	4
	4291	(50.240) Cotter pin 3/32 x 3/4 1951	1		5049 (50.200)	Washer 3/8 1951-20th Sr.	x
	338812	Screw 5/16-18 x 9/16 2000-1-10-11	7	11.0114		GROMMET, Core cradle (to frame) tie rod	
	7378	(50.003) Screw 5/16-24 x 5/8 1951-20th Sr. ...	6		202504	1951-20th Sr.	4
	330221	Washer 1951-20th Sr.	1	11.0115		GROMMET, Core cradle (to frame) tie rod	
	320986	(50.945) Washer - lower 1951-20th Sr.	1		362357	1951-20th Sr.	2
	358150	(50.945) Washer - upper 1951-20th Sr.	1	11.0116		RETAINER, Core cradle (to frame) tie rod grommet	
	367168	(50.945) Washer - upper 1951-20th Sr.	x		202221	1951-20th Sr.	4
	367180	(50.945) Washer - upper 1951-20th Sr.	1		7007 (50.100)	Nut 7/16-20	2
11.008		ANTI-SQUEAK, Core cradle		11.012		DRAIN COCK, Radiator	
	316212	2003A-4-5-7-8-23-55	1		378248	2000-1-3-6-10-11	1
11.0085		BRACES, Core cradle			373955	1951-2001A-3A-4-5-7-8-20-1-3-55	1
	362248	Right 1951-2001A-3A-4-5-7-8-20-1-3-55	1	11.0122		HOSE, Radiator	
	362247	Left 1951-2001A-3A-4-5-7-8-20-1-3-55	1		371125	Inlet 1951-2000-1-10-11	1
	378705	2003-6	2		382495	Inlet 2001A-20-1	1
11.0086		BRACKET, Radiator core cradle (to fender)			358002	Inlet 2003-3A-4-5-6-7-8-23-55	1
	378668	Right 2000-1-10-11	1		371115	Outlet - lower 2001-11	1
	371296	Right 1951-2003-6	1		320686	Outlet - upper 2001-11	1
	378667	Left 2000-1-10-11	1		371115	Outlet 1951-2000-3-6-10	2
	371295	Left 1951-2003-6	1		320686	Outlet 2001A-3A-4-5-7-8-20-1-3-55	2
	7565	(50.050) Bolt 3/8-16 x 7/8 2001A-20-1	1				
	7085	(50.050) Bolt 5/16-18 x 3/4 2001A-3A-4-5-7-8-20-1-3-55	1				
	7928	(50.003) Bolt 3/8-24 x 3/4 hex. hd. 1951 ..	4				
	7082	(50.003) Bolt 3/8-24 x 3/4 2003-6	4				
	5504	(50.220) Lockwasher 5/16 2000-1-1A-3A-4-5-7-8-10-11-20-1-3-55	x				
	5506	(50.220) Lockwasher 3/8 1951-2003-6	4				
	7005	(50.100) Nut 5/16-24 2000-1-10-11	4				
	7305	(50.100) Nut 5/16-18 2001A-3A-4-5-7-8-20-1-3-55	x				

INDEX NO.	PART NO.	DESCRIPTION AND MODELS	PER CAR
CORE—Continued			
11.0123	CLAMP, Hose		
	230085 (50.675) 1951-20th Sr.	x
	364269 (50.675) 2007-8	2
11.0125	HOSE AND CLAMP SET, Radiator		
	378391 1951-2000-10	1
	98795 2001-11	1
	98783 2001A-20-21	1
	98784 2003-3A-4-5-6-7-8-23-55	1
11.013	ELBOW, Hose (outlet)		
	371123 1951	1
	377517 2000-10	1
	379080 2001-11	1
	324171 2001A-20-1	1
	341691 2003-3A-4-5-6-7-8-23-55	1
11.0135	EXTENSION, Overflow tube		
	367127 2003A-4-5-7-8-23-55	1
11.014	TIE ROD AND NUTS ASSEMBLY, Radiator		
	900424 2003A-4-5-7-8-23-55	2
	900422 2020	2
	900423 2001A-20-21	2
11.015	BRACKET, Tie rod		
	362322 Front 2001A-20-1	2
	362739 Front Right 2003A-4-5-7-8-23-55	1
	362738 Front Left 2003A-4-5-7-8-23-55	1
	5506 (50.220) Lockwasher 3/8 2001A-3A-4-5-7-8-20-1-3-55	2
	7006 (50.100) Nut 3/8-24 2001A-3A-4-5-7-8-20-1-3-55	x
	7156 (50.120) Nut 1/2-20 2003A-4-5-7-8-23-55	4
	7819 (50.003) Screw 3/8-24 x 1 2001A-3A-4-5-7-8-20-1-3-55	2
11.017	RUST PREVENTIVE, Radiator		
	98737 (1/2 pint can) 1951-20th Sr.	x
SHELL			
11.1005	SHELL ASSEMBLY, Radiator (lower)		
	373803 2001A-3A-4-5-7-8-20-1-3-55	1
	341548 Speed nut #12-11	4
	341557 Screw #12-11 x 1/2	4
11.108	SPLASHER, Radiator		
	377252 Right (To fender grille) 2001A-20-1	1
	377248 Right (To fender grille) 2003A-4-5-7-8-23-55	1
	377251 Left (To fender grille) 2001A-20-1	1
	377247 Left (To fender grille) 2003A-4-5-7-8-23-55	1
	373508 Lower 1951	1
	378695 Lower 2000-1-10-11	1
	378806 Lower (Filler) 2000-10	1
	378735 Lower 2003-6	1
	373805 Lower front 2001A-3A-4-5-7-8-20-1-3-55	1
	373807 Lower rear 2001A-20-1	1
	373808 Lower rear 2003A-4-5-7-8-23-55	1
	371226 Side right 1951	1
	378800 Side right (To fender grille) 2000-1-10-11	1
	379727 Side right (Baffle) 2001-11	1
	373810 Side right 2001A-20-1	1
	379263 Side right 2003-6	1
	373812 Side right 2003A-4-5-7-8-23-55	1
	371225 Side left 1951	1
	378799 Side left (To fender grille) 2000-1-10-11	1
	379726 Side left (Baffle) 2001-11	1
	373809 Side left 2001A-20-1	1
	379262 Side left 2003-6	1
	373811 Side left 2003A-4-5-7-8-23-55	1
	371300 Top 1951	1
	379049 Top 2000-10	1

INDEX NO.	PART NO.	DESCRIPTION AND MODELS	PER CAR
SHELL—Continued			
11.108	SPLASHER, Radiator (Cont'd)		
	379050 Top 2001-11	1
	362031 Top 2001A	1
	371304 Top 2003-6	1
	356941 Top 2003A-4-5-7-8-23-55	1
	356940 Top 2020-1	1
	367389 Top 2030	1
	6788 (50.230) Lockwasher 1/4 1951	16
	5502 (50.220) Lockwasher 1/4 1951-20th Sr.	x
	5504 (50.220) Lockwasher 5/16 2001A-3A-4-5-7-8-20-1-3-55	2
	7049 (50.230) Lockwasher 5/16 2003-6	2
	328663 Clinch nut 1/4-28 20th Sr.	x
	379042 Speed nut #14 2000-1-3-6-10-11	x
	371421 Speed nut #14 1951	x
	377142 Nut 2000-1-10-11	6
	358633 Nut 1/4-28 2001A-3A-4-5-7-8-20-1-3-55	x
	7004 (50.100) Nut 1/4-28 1951-2003-6	x
	7789 (50.003) Screw 1/4-20 x 11/16 2000-1-10-11	x
	371590 Screw #14 x 3/4 1951-2000-1-3-6-10-11	x
	7129 Screw 1/4-20 x 1/2 2000-1-3-6-10-11	x
	7125 (50.003) Screw 1/4-28 x 5/8 1951-20th Sr.	x
	341557 Screw #12-11 x 1/2 2001A-3A-4-5-7-8-20-1-3-55	4
	7097 (50.003) Screw 1/4-28 x 1/2 hex. hd. 1951	x
	7801 (50.003) Screw 1/4-28 x 1/2 2001A-3-3A-4-5-6-7-8-20-1-3-55	x
	7127 (50.003) Screw 1/4-28 x 5/8 hex. hd. 1951	x
	7553 (50.003) Screw 5/16-24 x 7/8 2001A-3A-4-5-7-8-20-1-3-55	2
	7249 (50.003) Screw 1/4-28 x 3/4 2001A-3A-4-5-7-8-20-1-3-55	x
	7543 (50.300) Screw #14 x 3/8 tapping 2001A-3A-4-5-7-8-20-1-3-55	4
	7379 (50.003) Screw 5/16-24 x 5/8 2003-6	2
	5937 (50.200) Washer 2001A-3A-4-5-7-8-20-1-3-55	2
	3870 Washer 1/4 2001A-3A-4-5-7-8-20-1-3-55	x
	3874 (50.200) Washer 5/16 2003A-4-5-7-8-23-55	2
	7319 (50.200) Washer 1/4 1951-20th Sr.	x
11.1085	SEAL, Radiator splasher		
	378775 (Side - lower) 2000-1-10-11	2
	379038 (Side - upper) 2000-1-10-11	2
	377260 (To fender grille) 2001A-3A-4-5-7-8-20-1-3-55	2
	139521 Rivet 5/32 x 7/16	2
SHUTTER			
11.2001	SHUTTER ASSEMBLY, Radiator		
	358826 2001A-3A-4-5-7-8-23	1
11.2002	SCREW, Shutter assembly (to shell)		
	341557 (#12-11 x 1/2) 2001A-3A-4-5-7-8-23	4
	341548 Speed nut #12-11	4
11.202	BLADE ASSEMBLY, Shutter		
	351301 Center left 2001A-3A-4-5-7-8-23	1
	362195 Intermediate right 2001A-3A-4-5-7-8-23	1
	362194 Intermediate left 2001A-3A-4-5-7-8-23	1
	351303 Long right 2001A-3A-4-5-7-8-23	3
	362193 Long notched right 2001A-3A-4-5-7-8-23	1
	351302 Long left 2001A-3A-4-5-7-8-23	2
	362192 Long notched left 2001A-3A-4-5-7-8-23	1
	362197 Short right 2001A-3A-4-5-7-8-23	2
	362196 Short left 2001A-3A-4-5-7-8-23	2
11.203	BEARING ASSEMBLY, Shutter blade		
	351315 Lower 2001A-3A-4-5-7-8-23	2
	362204 Upper inner 2001A-3A-4-5-7-8-23	2
	362205 Upper intermediate 2001A-3A-4-5-7-8-23	2
	351317 Upper outer 2001A-3A-4-5-7-8-23	2

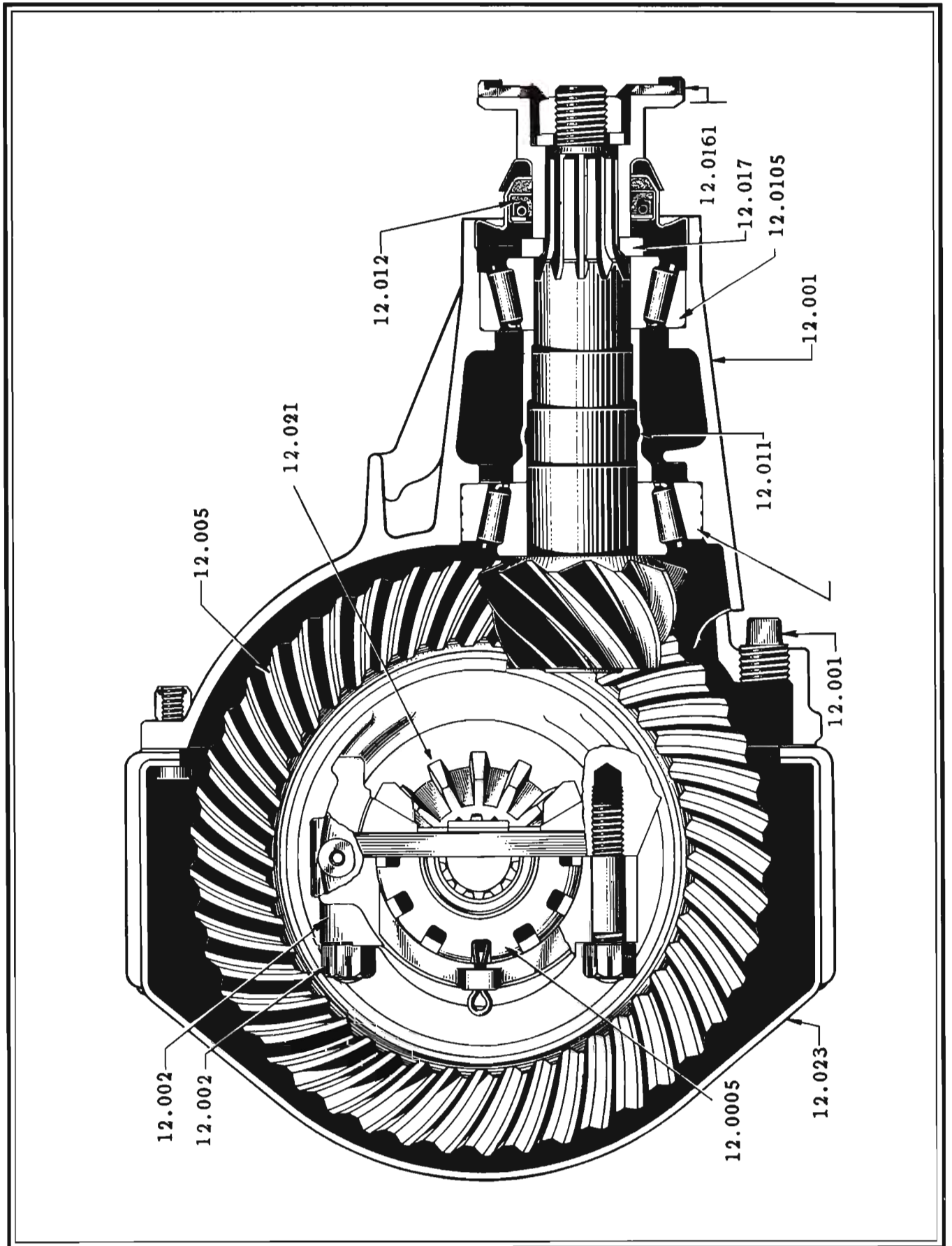
Used on Clipper Four Door Sedans built after Jan. 1, 1942 only. All other body types have chrome trim.

RADIATOR

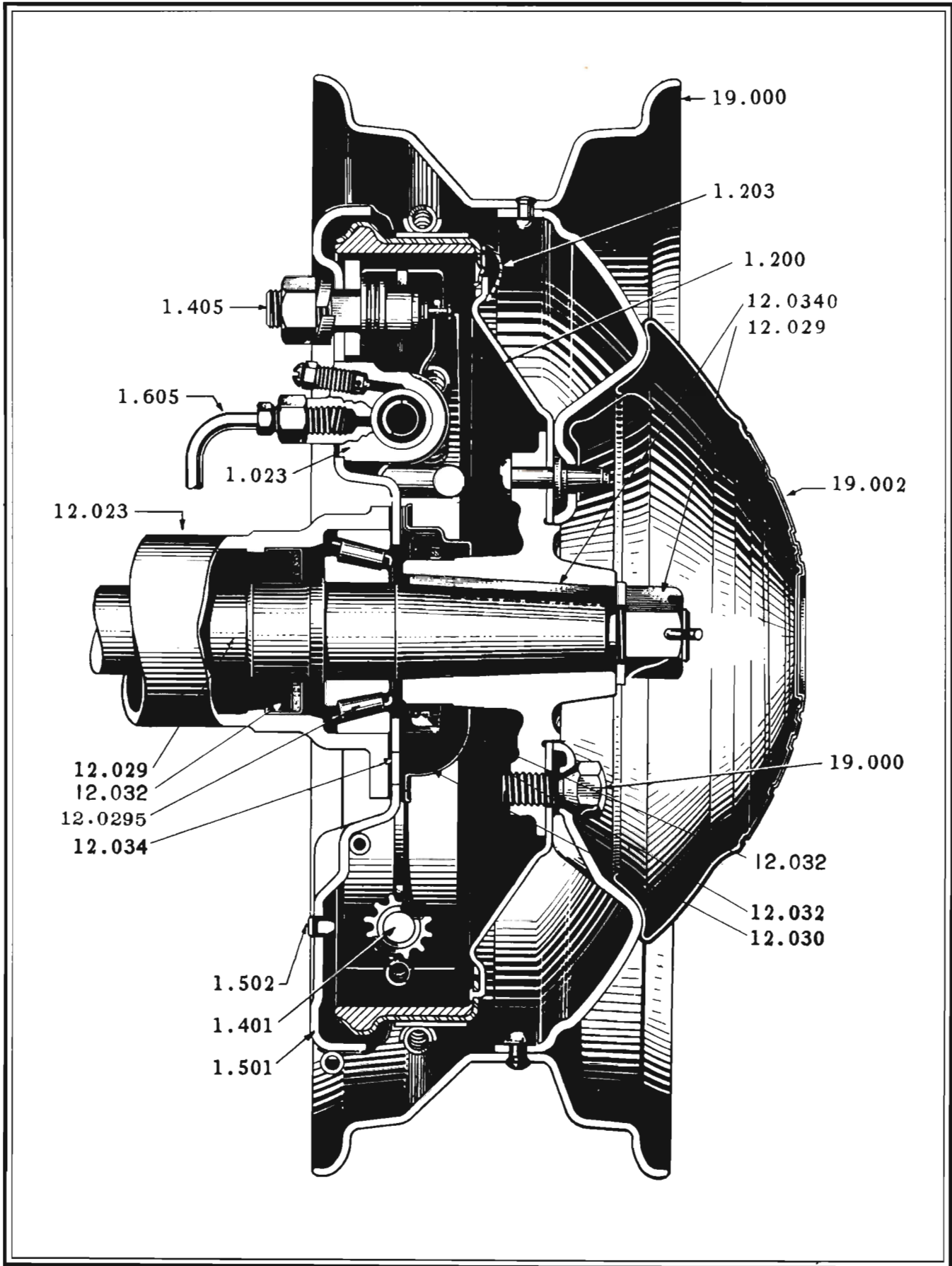
11.204 - 11.306

INDEX NO.	PART NO.	DESCRIPTION AND MODELS	PER CAR	INDEX NO.	PART NO.	DESCRIPTION AND MODELS	PER CAR
SHUTTER—Continued				SHUTTER—Continued			
11.204		RETAINER, Shutter blade bearing		11.223		GASKET, Shutter thermostat cover	
	351318	Lower 2001A-3A-4-5-7-8-23	2		324226	2001A-3A-4-5-7-8-23-55	1
	362206	Upper inner 2001A-3A-4-5-7-8-23	2	11.224		SYLPHON ASSEMBLY, Shutter thermostat	
	362207	Upper intermediate 2001A-3A-4-5-7-8-23	2		327796	(135° to 150°) 2001A-3A-4-5-7-8-23	1
	351320	Upper outer 2001A-3A-4-5-7-8-23	2	GRILLE			
	326583	(50.425) Rivet	14	11.300		GRILLE ASSEMBLY, Radiator (See Index #7.0075 for front fender grille)	
11.205		STUD, Shutter blade and operating bar			371214	(Chrome) 1951-2000-1-3-6-10-11	1
	225112	2001A-3A-4-5-7-8-23	14	▲379932		(Prime) 2000-1-3-6-10-11	1
11.206		PIN, Shutter blade pivot			358014	2020-1-55	1
	326564	2001A-3A-4-5-7-8-23	28		6788	(50.230) Lockwasher 2000-1-3-6-10-11	10
11.207		FRAME ASSEMBLY, Shutter			341548	(50.150) Speed nut #12-11 2020-1	4
	358761	2001A-3A-4-5-7-8-23	1		7004	(50.100) Nut 1/4-28 2000-1-3-6-10-11	2
11.208		BAR AND STUD ASSEMBLY, Shutter operating			373663	(50.003) Screw 1/4-28 2000-1-3-6-10-11	10
	362214	Right 2001A-3A-4-5-7-8-23	1		341557	(50.080) Screw #12-11 x 1/2 2001A-3A-4-5-7-8-20-1-3-55	x
	4280	(50.240) Cotter pin 1/16 x 1/2	2		7319	(50.200) Washer 1/4 2000-1-3-6-10-11	2
11.209		BAR, Shutter operating		11.302		BLADE, Grille	
	362212	Right 2001A-3A-4-5-7-8-23	1		354815	Right - Intermediate 2020-1-55	2
	362211	Left 2001A-3A-4-5-7-8-23	1		354814	Left - Intermediate 2020-1-55	2
	230446	(50.090) Stud	2		354813	Right - Long 2020-1-55	5
11.2115		LINK, Shutter operating			354812	Left - Long 2020-1-55	5
	362215	Right 2001A-3A-4-5-7-8-23	1		354817	Right - Short 2020-1-55	1
	351330	Left bottom 2001A-3A-4-5-7-8-23	1		354816	Left - Short 2020-1-55	1
	351331	Left top 2001A-3A-4-5-7-8-23	1		354819	Right outer - Short 2020-1-55	1
	6056	(50.003) Lockwasher #10	2		354818	Left outer - Short 2020-1-55	1
	7437	(50.000) Screw #10-32 x 5/16	2	11.303		SUPPORT ASSEMBLY, Grille blade	
11.212		BELL CRANK AND BUSHING ASSEMBLY, Shutter operating link			358012	Upper 2020-1-55	1
	351335	Right 2001A-3A-4-5-7-8-23	1		341557	(50.080) Screw #12-11 x 1/2 2055	1
	351336	Left 2001A-3A-4-5-7-8-23	1		324759	(50.150) Nut #10-24 2055	1
11.213		BELL CRANK, Shutter operating link		11.3033		SUPPORT, Radiator grille blade	
	351332	Right 2001A-3A-4-5-7-8-23	1		348845	Center 2020-1-55	1
	351333	Left 2001A-3A-4-5-7-8-23	1		348790	Intermediate 2055	1
	6968	(50.240) Cotter pin	2		348832	Lower intermediate 2020-1-55	1
	326569	Pin	2		348790	Upper intermediate 2020-1	1
	351339	(50.090) Stud right	1		354811	Lower right 2020-1-55	1
	351338	(50.090) Stud left	1		354810	Lower left 2020-1-55	1
11.215		BUSHING, Shutter operating link bell crank			348762	Upper 2020-1-55	1
	351337	2001A-3A-4-5-7-8-23	2		5500	(50.220) Lockwasher #10 2020-1	2
11.2163		ROD, Shutter operating			7003	(50.100) Nut #10-32 2020-1	2
	362216	2001A	1		6532	(50.400) Rivet 1/8 x 3/16 2055	16
	362217	2003A-4-5-7-8-23	1		6071	(50.004) Screw #10-32 x 1/2 2020-1	2
	326579	Pinlock	1		6653	(50.200) Washer #10 2020-1	2
	5504	(50.220) Lockwasher 5/16	1	11.305		BRACKET, Grille (to radiator shell)	
	7005	(50.100) Nut 5/16-24	2		358068	Lower 2020-1-55	1
	326568	Pin	1		324759	(50.150) Nut #10-24 2020-1-55	2
11.2165		SPRING, Shutter operating rod			341557	(50.080) Screw #12-11 x 1/2 2020-1-55	2
	362218	2001A-3A-4-5-7-8-23	1		341548	(50.150) Speed nut #12-11 2055	4
11.2166		ANCHOR BRACKET, Shutter operating rod spring		11.3056		PANEL, Grille finish	
	362219	2001A-3A-4-5-7-8-23	1		373524	Lower 1951-2000-1-3-6-10-11	1
11.2195		PANEL ASSEMBLY, Shutter (upper)		11.306		FRAME, Grille	
	362221	2001A-3A-4-5-7-8-23	1		356761	2020-1-55	1
11.220		BRACKET, Shutter (to radiator shell)					
	358068	2001A-3A-4-5-7-8-23	1				
	324759	(50.150) Nut #10-24	2				
	341557	(50.080) Screw #12-11 x 1/2	2				
11.222		THERMOSTAT AND COVER ASSEMBLY, Shutter					
	327808	2001A-3A-4-5-7-8-23	1				
	7443	(50.004) Screw #10-32 x 7/16	6				
	5500	(50.220) Lockwasher #10	6				
11.2225		COVER, Shutter thermostat hole					
	377840	2055	1				

INDEX NO.	PART NO.	DESCRIPTION AND MODELS	PER CAR	INDEX NO.	PART NO.	DESCRIPTION AND MODELS	PER CAR
CARRIER				CARRIER -Continued			
12.000	BEARING, Rear axle differential			12.002	CAP, Differential carrier (Cont'd)		
	348642 2000-1-10-11		2		329257 Screw 1/2-20 x 2-1/2 2000-1-10-11-20		4
	311992 1951-2001A-3-4-5-6-7-8-21-3-30-55		2		329484 Screw lock 2000-1-10-11		4
12.0005	ADJUSTING NUT, Differential bearing				304439 (50.120) Stud 1/2 Spl. 1951		4
	329266 2000-1-10-11		2		330109 Stud 1/2 2001A-3-3A-4-5-6-7-8-21-3-30-55		4
	311919 1951-2001A-3-3A-4-5-6-7-8-21-3-30-55		2	12.003	GASKET, Rear axle differential carrier (to case		
	6886 Cotter Pin 7/32 x 3/4		2		334889 2000-1-10-11-20		1
12.001	CARRIER ASSEMBLY, Differential				323010 1951-2001A-3-3A-4-5-6-7-8-21-3-30-55		1
	901043 (4.3 to 1) (Std. without Econo-Drive) 2000-10		1	12.004	CASE, Differential		
	901044 (4.55 to 1) (Spl. without Econo-Drive - Std. with Econo-Drive) 2000-10		1		360399 (Not used on 2001-11 with 4.1 to 1 ratio) 2000-1-10-11		1
	901047 (4.1 to 1) (Std. without Econo-Drive) 2001-11		1		373314 (Use with 4.1 to 1 ratio) 2001-11		1
	901045 (4.3 to 1) (Spec. without Econo-Drive - Std. with Econo-Drive) 2001-11		1		347830 (Not used on 2003-6-23 with 3.92 to 1 ratio) 2001A-3-3A-4-5-6-7-8-21-3-55		1
	901092 (4.7 to 1) (Std. without Econo-Drive) 2001A		1		347800 (Use with 3.92 to 1 ratio) 2003-6-23		1
	901096 (4.9 to 1) (Spl. without Econo-Drive - Std. with Econo-Drive) 2001A		1		347830 1951-2030		1
	901051 (3.92 to 1) (Std. without Econo-Drive) 2003-6-23		1	12.005	GEAR & PINION ASSEMBLY, Differential driving		
	900054 (4.09 to 1) (Std. without Econo-Drive) 1951.		1		900023 (4.3 to 1) (Std. without Econo-Drive) 2000-10-20		1
	901049 (4.09 to 1) (Spl. without Econo-Drive - Std. with Econo-Drive) 2003-6-23		1		900024 (4.55 to 1) (Spl. without Econo-Drive - Std. with Econo-Drive) 2000-10-20		1
	900053 (4.36 to 1) (Spl. with or without Econo-Drive) 1951		1		901042 (4.1 to 1) (Std. without Econo-Drive) 2001-11		1
	901048 (4.36 to 1) (Spl. with or without Econo-Drive) 2003-6-23		1		900023 (4.3 to 1) (Spl. without Econo-Drive - Std. with Econo-Drive) 2001-11		1
	900055 (4.54 to 1) (Spl. without Econo-Drive) 1951.		1		900068 (4.7 to 1) (Std. without Econo-Drive) 2001A		1
	901052 (4.54 to 1) (Std. without Econo-Drive) 2003A		1		900069 (4.9 to 1) (Spl. without Econo-Drive - Std. with Econo-Drive) 2001A		1
	901050 (4.7 to 1) (Spl. without Econo-Drive - Std. with Econo-Drive) 2003A		1		900131 (3.92 to 1) (Std. without Econo-Drive) 2003-6-23		1
	901049 (4.09 to 1) (Std. without Econo-Drive) 2004-7		1		900065 (4.09 to 1) (Spl. without Econo-Drive - Std. with Econo-Drive) 2003-6-23		1
	901048 (4.36 to 1) (Spl. without Econo-Drive - Std. with Econo-Drive) 2004-7		1		900064 (4.36 to 1) (Spl. with or without Econo-Drive) 1951-2003-6-23		1
	901048 (4.36 to 1) (Std. without Econo-Drive) 2005-8-55		1		900066 (4.54 to 1) (Std. without Econo-Drive) 2003A		1
	901052 (4.54 to 1) (Spl. without Econo-Drive - Std. with Econo-Drive) 2005-8-55		1		900068 (4.7 to 1) (Spl. without Econo-Drive - Std. with Econo-Drive) 2003A		1
	901090 (4.3 to 1) (Std. without Econo-Drive) 2020		1		900065 (4.09 to 1) (Std. without Econo-Drive) 1951-2004-7-21		1
	901091 (4.55 to 1) (Spl. without Econo-Drive - Std. with Econo-Drive) 2020		1		900064 (4.36 to 1) (Spl. without Econo-Drive - Std. with Econo-Drive) 2004-7-21		1
	901094 (4.09 to 1) (Std. without Econo-Drive) 2021		1		900064 (4.36 to 1) (Std. without Econo-Drive) 2005-8-55		1
	901046 (4.36 to 1) (Spl. without Econo-Drive - Std. with Econo-Drive) 2021		1		900066 (4.54 to 1) (Spl. without Econo-Drive - Std. with Econo-Drive) 2005-8-55		1
	901098 (4.54 to 1) (Spl. with or without Econo-Drive) 2021		1		900066 (4.54 to 1) (Spl. with or without Econo-Drive) 2021		1
	901222 (4.54 to 1) 2030		1		900066 (4.54 to 1) 2030		1
	237673 Gasket (Bolt)		9		120813 Lockwire (7" long) 1951-20th Sr.		6
	348078 Bolt		9		329373 (50.003) Screw 2000-1-10-11-20		12
	348079 Locknut		9		347799 (50.003) Screw 1951-2001A-21-30		12
	6099 OIL PLUG 1/2 square head		2		347824 (50.003) Screw 2003-3A-4-5-6-7-8-23-55		12
12.0015	CARRIER & CAP ASSEMBLY, Differential			12.006	IDLER, Differential driving gear		
	347046 2000-1-10-11		1		323379 2003-3A-4-5-6-7-8-23-55		1
	319966 1951-2001A-21-30		1	12.007	LOCKING PLATE, Differential driving gear idler		
	347393 (Not used for 2003-6-23 with 3.92 to 1 ratio) 2003-3A-4-5-6-7-8-23-55		1		323352 2003-3A-4-5-6-7-8-23-55		1
	347391 (Use only with 3.92 to 1 ratio) 2003-6-23 .		1		5504 (50.220) Lockwasher 5/16		1
12.002	CAP, Differential carrier				6183 (50.003) Screw 5/16-18 x 5/8		1
	329310 2000-1-10-11-20		2		323469 Washer		1
	311920 1951-2001A-3-3A-4-5-6-7-8-21-3-30-55		2	12.008	SHAFT, Differential driving gear idler		
	7161 (50.120) Nut 1/2-20 1951-2001A-3-3A-4-5-6-7-8-21-3-30-55		4		323435 2003-3A-4-5-6-7-8-23-55		1
					5512 (50.220) Lockwasher 9/16		1
					7933 (50.100) Check nut 9/16-18		1
				12.009	ROLLER, Differential driving gear idler shaft		
					323436 2003-3A-4-5-6-7-8-23-55		28



R. A. DIFFERENTIAL CARRIER ASSEMBLY



REAR WHEEL GROUP

REAR AXLE

12.010 - 12.034

INDEX NO.	PART NO.	DESCRIPTION AND MODELS	PER CAR	INDEX NO.	PART NO.	DESCRIPTION AND MODELS	PER CAR
CARRIER —Continued				HOUSING AND SHAFT—Continued			
12.010	WASHER	Differential driving gear shaft thrust		12.0235	CLIP	Case brake tube	
	323428	2003-3A-4-5-6-7-8-23-55	1		316673	1951-20th Sr.	2
12.0105	BEARING	Differential driving pinion		12.029	SHAFT	Rear axle	
	348643	Front 2000-1-10-11-20	1		340110	2000-1-10-11-20	2
	311990	Front 1951-2001A-3-4-5-6-7-8-21-3-30-55	1		338693	2001A-3A-5-8-30-55	2
	348644	Rear 2000-1-10-11-20	1		323143	1951-2003-4-7-21-3	2
	311991	Rear 1951-2001A-3-4-5-6-7-8-21-3-30-55	1		4309	(50.240) Cotter pin 1/8 x 1-3/8 2000-1-10-11	2
12.011	SLEEVE	Differential driving pinion bearing			4334	(50.240) Cotter pin 3/16 x 1-3/4 1951-2001A-3-3A-4-5-6-7-8-21-3-30-55	2
	347051	2000-1-10-11-20	1		351531	Mut 2000-1-10-11	2
	341792	1951-2001A-3-3A-4-5-6-7-8-21-3-30-55	1		303913	Mut 7/8-14 1951-2001A-3-3A-4-5-6-7-8-21-3-30-55	2
12.012	OIL SEAL ASSEMBLY	Differential driving pinion bearing front			3893	(50.200) Washer 3/4 2000-1-10-11	2
	329655	2000-1-10-11-20	1		126985	Washer 1951-2001A-3-3A-4-5-6-7-8-21-3-30-55	2
	311926	1951-2001A-3-3A-4-5-6-7-8-21-3-30-55	1	12.0295	BEARING	Shaft	
12.013	RETAINER	Differential driving pinion oil seal			348645	2000-1-10-11	2
	329272	2000-1-10-11-20	1		324947	2001A-3A-5-8-30-55	2
	309523	1951-2001A-3-3A-4-5-6-7-8-21-3-30-55	1		324946	1951-2003-4-6-7-21-3	2
12.0161	UNIVERSAL JOINT FLANGE	Differential driving pinion		12.030	GUARD	Shaft bearing oil	
	326870	2000-1-10-11-20	1		334922	2000-1-10-11	2
	302868	1951	1		323152	2001A-3A-5-8-30-55	2
	302868	2000-1-1A-3-3A-4-5-6-7-8-10-11-21-3-55	1		323137	1951-2003-4-6-7-21-3	2
	371683	Mut	1	12.031	GASKET	Shaft bearing oil guard	
	300910	Washer	1		354267	2000-1-10-11	2
12.0162	DUST SHIELD	Differential driving pinion universal joint flange			354415	2001A-3A-5-8-30-55	2
	309525	1951-20th Sr.	1		354414	1951-2003-4-6-7-21-3	2
12.017	SPACER	Differential driving pinion universal joint flange		12.0313	OIL SEAL KIT	Rear axle shaft	
	309519	1951-2001A-3-3A-4-5-6-7-8-21-3-30-55	1		379822	(2 wheel) 2000-1-10-11-20	1
12.018	PINION	Differential			379824	(2 wheel) 2001A-3A-5-8-30-55	1
	360395	2000-1-10-11-20	2		379823	(2 wheel) 2003-4-6-7-21-3	1
	302229	1951-2001A-21-30	2		379825	(1 wheel) 2000-1-10-11-20	2
	338909	2003-3A-4-5-6-7-8-23-55	2		379827	(1 wheel) 2001A-3A-5-8-30-55	2
12.019	PIN	Differential pinion			379826	(1 wheel) 1951-2003-4-6-7-21-3	2
	360397	2000-1-10-11-20	1	12.0315	OIL SEAL	Shaft bearing	
	300729	1951-2001A-3-3A-4-5-6-7-8-21-3-30-55	1		347052	Inner 2000-1-10-11-20	2
	302560	Lock pin	1		323151	Inner 2001A-3A-5-8-30-55	2
12.020	THRUST WASHER	Differential pinion			323135	Inner 1951-2003-4-6-7-21-3	2
	360405	2000-1-10-11-20	2		334929	Outer 2000-1-10-11-20	2
	300897	1951-2001A-3-3A-4-5-6-7-8-21-3-30-55	2		324961	Outer 1951-2001A-3-3A-4-5-6-7-8-21-3-55	2
12.021	GEAR	Differential		12.032	RETAINER	Shaft bearing oil seal	
	329599	2000-1-10-11-20	2		323150	2001A-3A-5-8-30-55	2
	302230	1951-2001A-21-30	2		323136	1951-2003-4-6-7-21-3	2
	338916	2003-3A-4-5-6-7-8-23-55	2	12.033	GASKET	Shaft bearing oil seal retainer	
12.022	THRUST WASHER	Differential gear			354411	2000-1-10-11-20	2
	378688	2000-1-10-11-20	2		354410	2001A-3A-5-8-30-55	2
	302228	1951-2001A-3-3A-4-5-6-7-8-21-3-30-55	2		354409	1951-2003-6-7-21-3	2
HOUSING AND SHAFT				12.034	SHIM	Shaft bearing	
12.023	CASE ASSEMBLY	Rear axle			329627	(.005) 2000-1-10-11-20	x
	373490	1951	1		324147	(.005) 2001A-3A-5-8-30-55	x
	373491	2003-6	1		338163	(.005) 2001A-AMB	x
	373941	2000-1-10-11	1		323140	(.005) 1951-2003-4-6-7-21-3	x
	356280	2001A-3A-5-8-30-55	1		329628	(.007) 2000-1-10-11-20	x
	356279	2004-7	1		323148	(.007) 2001A-3A-5-8-30-55	x
	356282	2020	1		338164	(.007) 2001A-AMB	x
	356337	2021-3	1		323141	(.007) 1951-2003-4-6-7-21-3	x
					329629	(.020) 2000-1-10-11-20	x
					323149	(.020) 2001A-3A-5-8-30-55	x
					338165	(.020) 2001A-AMB	x
					323142	(.020) 1951-2003-4-6-7-21-3	x

12.0340 - 13.0013 REAR AXLE SHOCK ABSORBER AND STABILIZER

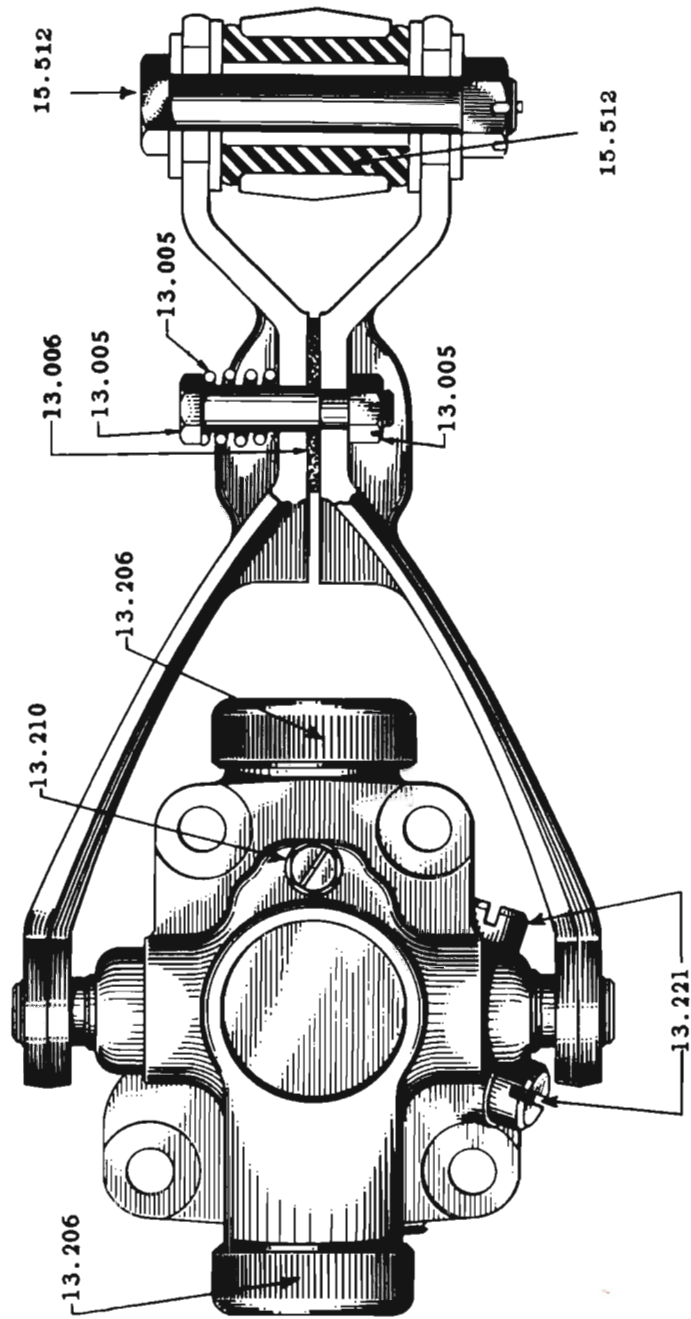
INDEX NO.	PART NO.	DESCRIPTION AND MODELS	PER CAR
HOUSING AND SHAFT—Continued			
12.0340	KEY, Shaft		
	334921	2000-1-10-11-20	2
	197130	1951-2001A-3-3A-4-5-6-7-8-21-3-30-55	2
12.0341	SEAL, Shaft nut oil		
	354505	2001A-3A-5-8-30-55	2
	354504	1951-2003-4-6-7-21-3	2
12.035	THRUST BLOCK, Shaft		
	360401	2000-1-10-11-20	1
	323133	1951-2001A-3-3A-4-5-6-7-8-21-3-30-55	1
12.036	SPACER, Shaft thrust block		
	360403	2000-1-10-11-20	2
	323132	1951-2001A-3-3A-4-5-6-7-8-21-3-30-55	2

INDEX NO.	PART NO.	DESCRIPTION AND MODELS	PER CAR
SHOCK ABSORBER			
13.000	SHOCK ABSORBER, Front		
	379136	Right 1951-2000-1-3-6-10-11 Used with domestic Spring	1
	379136	Right 2000-1-10-11 Used with export Spring	1
	364621	Right 2001A-3A-4-5-7-8-20-21-23-55	1
	379133	Left 1951-2000-1-3-6-10-11 Used with domestic Spring	1
	379133	Left 2000-1-10-11 Used with export Spring	1
	364620	Left 2001A-3A-4-5-7-8-20-21-23-55	1
	364637	Left 2023	1
	7769	(50.003) Bolt 3/8-24 x 1-7/8 1951-2000-1-3-6-10-11	2
	379411	(50.003) Bolt 1/2-20 x 2-1/4 2000-1-3-6-10-11	4
	379410	(50.003) Bolt 1/2-20 x 3 20th Sr.	x
	5510	(50.220) Lockwasher 1/2 1951-2000-1-3-6-10-11	8
	5506	(50.220) Lockwasher 3/8 1951-2000-1-3-6-10-11	2
	7337	(50.220) Lockwasher 1/2 2001A-3A-4-5-7-8-20-1-3-55	8
	7008	(50.100) Nut 1/2-20 1951-2000-1-3-6-10-11	8
	7006	(50.100) Nut 3/8-24 1951-2000-1-3-6-10-11	2
	338985	(50.003) Screw 1/2-20 x 2-7/8 2001A-3A-4-5-7-8-2020-1-3-55	2
	324486	(50.003) Screw 1/2-20 x 2-1/4 2001A-3A-4-5-7-8-2020-1-3-55	2
	6765	(50.003) Screw 1/2-20 x 2-1/4 2001A-3A-4-5-7-8-2020-1-3-55	2
	6032	(50.003) Screw 1/2-20 x 2-1/4 hex. hd 1951	4
	6042	(50.003) Screw 1/2-20 x 3 hex. hd. 1951 ...	4
	303943	(50.200) Shim 2001A-3A-4-5-7-8-2020-1-3-55	x
	316934	(50.200) Washer 1/2 2001A-3A-4-5-7-8-2020-1-3-55	4
13.001	SHOCK ABSORBER, Rear		
	364630	Right 1951-2020-21	1
	371195	Right 2000-10 Used with domestic Spring ...	1
	364630	Right 2000-1-10-11 Used with export Spring	1
	373995	Right 2001-11 Used with domestic Spring ...	1
	371197	Right 2003-6	1
	364633	Right 2001A-3A-4-5-7-8-23-55	1
	364630	Left 1951-2020-21	1
	371195	Left 2000-10 Used with domestic Spring	1
	364630	Left 2000-1-10-11 Used with export Spring	1
	373995	Left 2001-11 Used with domestic Spring	1
	371197	Left 2003-6	1
	364633	Left 2001A-3A-4-5-7-8-23-55	1
	6680	(50.230) Lockwasher 1/2	4
	7008	(50.100) Nut 1/2-20	4
	7156	(50.120) Nut 1/2-20	4
	347462	(50.200) Washer	4
13.0013	FLUID, Shock absorber (Delco or Monroe)		
	98325	(Quart) 1951-20th Sr.	x
	98326	(Gallon) 1951-20th Sr.	x
	98327	(Five Gallon) 1951-20th Sr.	x

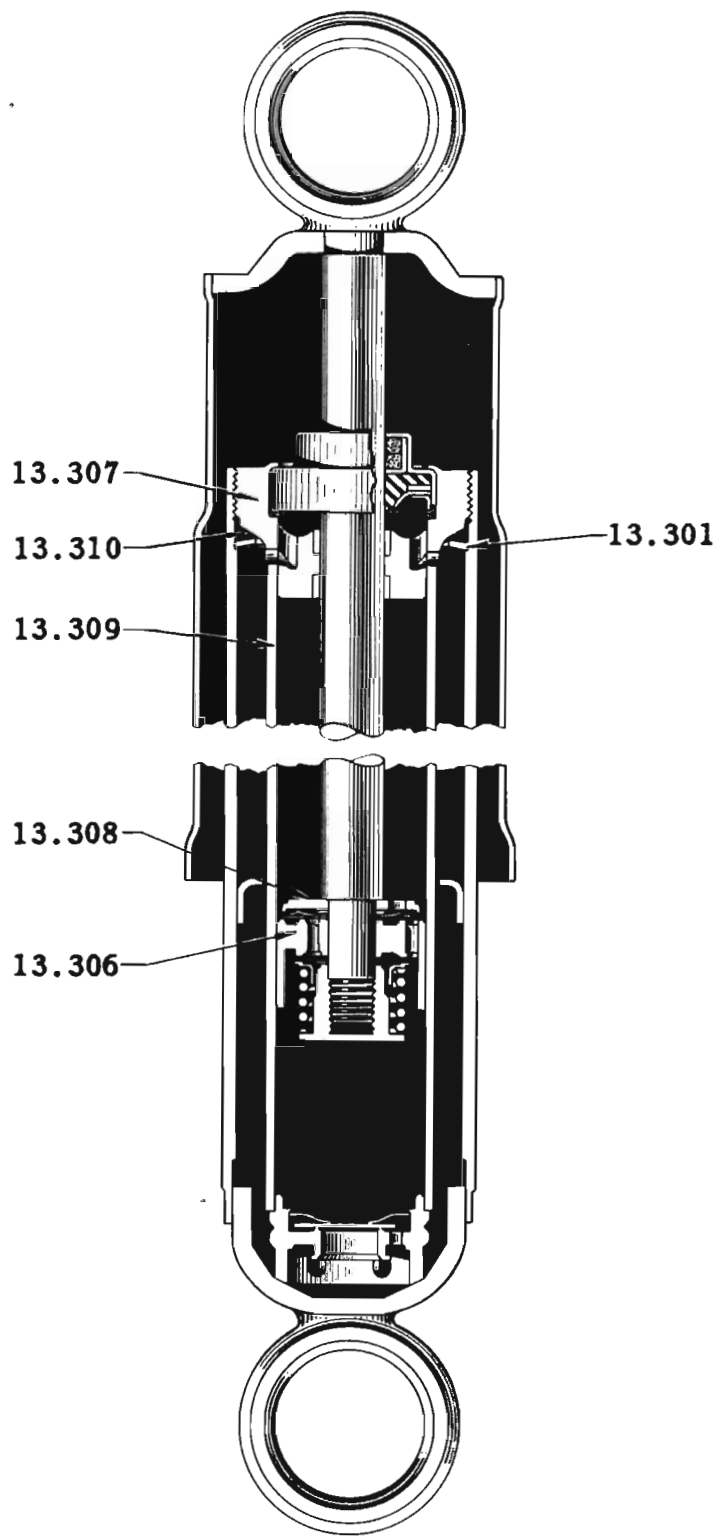
SHOCK ABSORBER AND STABILIZER

13.0016 - 13.1214

INDEX NO.	PART NO.	DESCRIPTION AND MODELS	PER CAR	INDEX NO.	PART NO.	DESCRIPTION AND MODELS	PER CAR
SHOCK ABSORBER—Continued				SHOCK ABSORBER—Continued			
13.0016	FLUID	Shock absorber (Houdaille)		13.024	VALVE	Shock absorber (rear) (Cont'd)	
	327942	(Quart) 1951-20th Sr.	x		379789	(Rebound) #2-4/4-2/8 2003-6	2
	327943	(Gallon) 1951-20th Sr.	x		367520	(Rebound) #2-5/6 2004-7	2
	327944	(Five Gallon) 1951-20th Sr.	x		367514	(Rebound) #2-1/2-6/6 2005-8-55	2
13.002	BUSHING	Shock absorber			367511	(Rebound) #2-4/4 2020-1-3	2
	347423	1951-20th Sr.	8		379768	RHD (Rebound) #2-2/4-2/8 2000-10	2
13.005	SPRING	Front friction			367517	RHD (Comp.) #D-1 2001-1-11	2
	362038	2001A-3A-4-5-7-8-20-1-3-55	2		379634	RHD (Rebound) #2-3/4-2/8 2001-1-11	2
	335079	(50.092) Bolt	2		379767	RHD (Comp.) #E-2 2000-10	2
	6903	(50.120) Locknut 7/16-20	2	STABILIZER			
	335032	Washer	2	13.1001	STABILIZER ASSEMBLY (Front)		
13.006	WASHER	Front friction			377294	2000-1-10-11	1
	335032	2001A-3A-4-5-7-8-20-21-23-55	2		358163	2001A-3A-4-5-7-8-55	1
13.007	GRAVEL SHIELD	Shock absorber (rear)			371192	1951-2003-6	1
	347433	Right 1951-2000-1-3-6-10-11	1		351694	2020-1	1
	351086	Right 2001A-3A-4-5-7-8-21-3-55	1		358162	2023	1
	347432	Left 1951-2000-1-3-6-10-11-20	1		7091	(50.003) Bolt 7/16-20 x 3/4	4
	351085	Left 2001A-3A-4-5-7-8-21-3-55	1		6903	(50.120) Nut 7/16-20	4
13.0165	PIN ASSEMBLY	Shock absorber (rear)		13.102	GROMMET	Stabilizer front	
	362666	Lower 1951-2000-1-3-6-10-11-20	2		351172	1951-20th Sr.	x
	362668	Lower 2001A-3A-4-5-7-8-21-3-30-55	2	13.103	GUIDE	Front grommet	
	347444	Upper 2001A-3A-4-5-7-8-21-3-30-55	2		351173	1951-20th Sr.	x
	3886	Washer 2001A-3A-4-5-7-8-21-3-30-55	2	13.104	RETAINER	Front grommet	
13.017	PIN	Shock absorber (rear)			351174	1951-20th Sr.	x
	362667	Lower 2000-1-3-6-10-11-20	2		7006	(50.100) Nut 3/8-24	2
	362669	Lower 2001A-3A-4-5-7-8-21-3-30-55	2	13.114	BEARING	Front rod	
	347429	Upper 1951-2000-1-3-6-10-11-20	2		351295	1951	2
	351343	Upper 2001A-3A-4-5-7-8-21-3-30-55	2		351695	(Rubber) 20th Sr.	2
13.0175	REPAIR KIT	Shock absorber (tubular type)		13.115	BRACKET	Front rod	
	371463	(Monroe or Delco) 1951-20th Sr.	x		351170	1951-20th Sr.	2
13.023	VALVE	Shock absorber (Front)		13.1164	STABILIZER LATERAL ASSEMBLY		
	373943	(Comp.) #3-B-2 1951-2000-1-10-11	2		373935	1951-2000-1-3-6-10-11	1
	379412	(Comp.) #1-C-1 2001-1A-11	2		5510	(50.220) Lockwasher 1/2	1
	351577	(Comp.) #1-1/2-B-1 2001A	2		7008	(50.100) Nut 1/2-20 hex.	1
	341166	(Comp.) #1-B-7 2003-6	2		7006	(50.100) Nut 3/8-24 hex.	1
	379394	(Comp.) #1-AD-7 2003-6	2	13.1165	GROMMET	Stabilizer lateral	
	333280	(Comp.) #3-AD-5 2003A	2		351172	1951-20th Sr.	4
	354880	(Comp.) #2-A-3 2004-7	2	13.1166	GUIDE	Stabilizer lateral grommet	
	367526	(Comp.) #2-Aa-3 2005-8-55	2		351173	1951-20th Sr.	4
	338065	(Comp.) #2-A-1 2020-1	2	13.1167	RETAINER	Stabilizer lateral grommet	
	367527	(Comp.) #1-3/4-A-3 2023	2		351174	1951-20th Sr.	4
	242234	(Rebound) #3-C 1951-2000-1-10-11	2	13.118	SHOCK ABSORBER	Stabilizer lateral	
	327872	(Rebound) #2-E-5 2001A	2		373935	1951	1
	379393	(Rebound) #3-D 2003-6	2		335439	2001A-3A-4-5-7-8-21-3-30-55	1
	225905	(Rebound) #2-F 2003-6	2		6902	(50.120) Nut 3/8-24	1
	327874	(Rebound) #3-E-5 2003A	2		338576	Screw 3/8-24 x 1-1/4	2
	333280	(Rebound) #3-B-5 2004-7-2020-1-3	2	13.119	TUBE ASSEMBLY	Stabilizer lateral	
	354875	(Rebound) #3-B-D-5 2005-8-55	2		348833	2001A-3A-4-5-7-8-21-3-30-55	1
	379633	RHD (Comp.) #1-E-1 2001-11	2		5510	(50.220) Lockwasher 1/2 20th Sr.	x
	341061	RHD (Comp.) #1-D-1 2000-10	2		7008	(50.100) Nut plain 1/2-20 20th Sr.	x
	185167	RHD (Rebound) #2-E 2000-1-10-11	2		7006	(50.100) Nut 3/8-24 2000-1-3-6-10-11	x
	379412	RHD (Comp.) #1-C-1 2011	2	13.120	STABILIZER (TORSIONAL) REAR ASSEMBLY		
13.024	VALVE	Shock absorber (rear)			356260	2001A-3A-4-5-7-8-55	1
	351575	(Comp.) #A-3 2000-10	2		7091	(50.003) Bolt 7/16-20 x 3/4	4
	367519	(Comp.) #A-6 2001-4-7-11	2		6903	(50.120) Nut 7/16-20	4
	367517	(Comp.) #D-1 2001A-3A	2	13.1213	BEARING	Stabilizer (rear)	
	379790	(Comp.) #D-2 2003-6	2		351695	2001A-3A-4-5-7-8-55	2
	379357	(Comp.) #Ad-3 2003-6	2	13.1214	BRACKET	(Rear) bearing	
	367518	(Comp.) #B-6 2005-8-55	2		351170	2001A-3A-4-5-7-8-55	2
	351569	(Comp.) #A-2 1951-2020-1-3	2				
	379281	(Rebound) #4-5/4 2000-10	2				
	379282	(Rebound) #2-5/4 2001-11	2				
	362326	(Rebound) #0-5/6 2001A-3A	2				
	373942	(Rebound) #1-1/2-6/4 1951	2				
	379356	(Rebound) #4-6/4 2003-6	2				



SHOCK ABSORBER ASSEMBLY - FRONT



SHOCK ABSORBER - REAR

SPRINGS

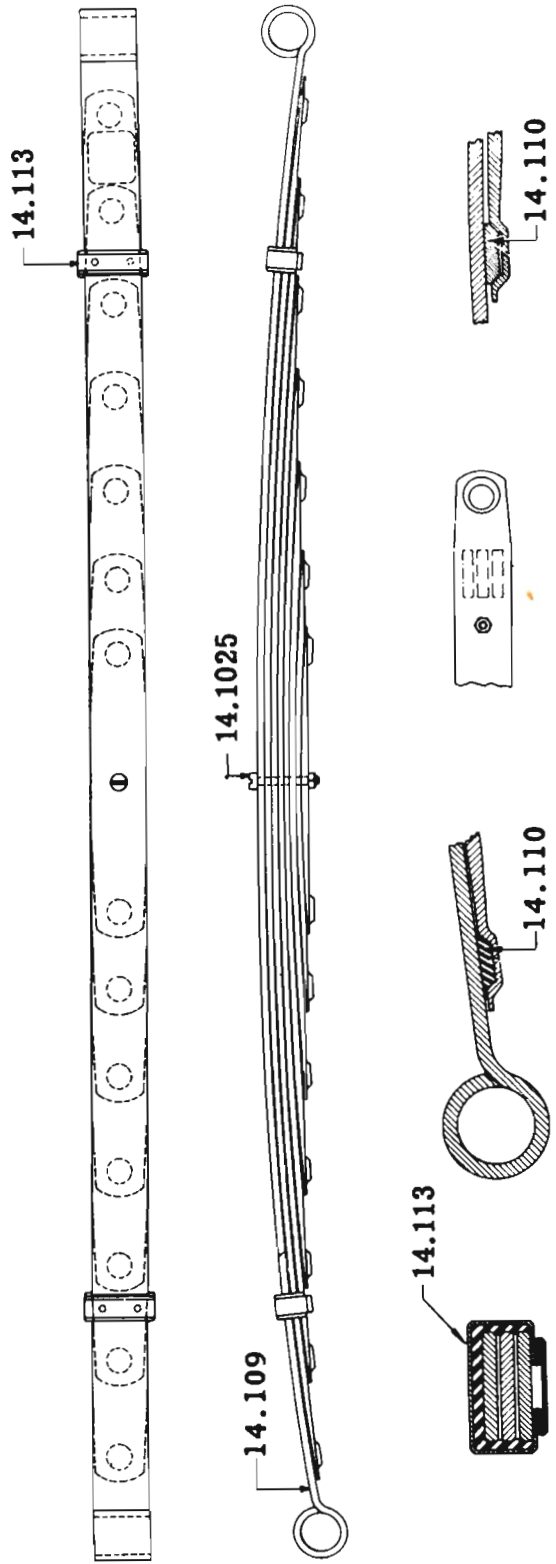
14.000 - 14.1051

INDEX NO.	PART NO.	DESCRIPTION AND MODELS	PER CAR	INDEX NO.	PART NO.	DESCRIPTION AND MODELS	PER CAR
FRONT				FRONT—Continued			
14.000	SPRING, Front			14.009	BUMPER ASSEMBLY, Spring front rebound		
	367654 (1820# x 81 rate) 1951	2		351689 1951-2000-1-3-6-10-11-20-1	2
	377253 (1740# x 81# rate) 2000-10	2		333074 2001A-3A-4-5-7-8-23-55	2
	373862 (1890# x 81 rate) 2001-11	2	14.010	SPACER, Spring front		
	326925 (2200# x 130 rate) 2001A	2		326836 2001A-3A	1
	367740 (2030# x 90# rate) 2003-6	2	REAR			
	377339 (2100# x 90 rate) 2003-6	2	14.100	SPRING, Rear - less covers		
	338897 (2500# x 130 rate) 2003A	2		367722 (930# x 110 rate) 1951	2
	354690 (1870# x 95 rate) 2004-7	2		378641 (830# rate 105#) 2000-1	2
	354691 (1990# rate 100#) (Side carrier) 2004-7	..	2		378640 (870# rate 105#) 2000-1	2
	351256 (2050# x 100 rate) 2005-8-55	2		362516 (1350# rate 130#) 2001A-3A	2
	354710 (2175# rate 120) (Side carrier) 2005-8-55	2		362515 (1800# rate 170#) 2001A-3A	2
	362823 (1430# x 69# rate) 2020	2		362517 (2000# rate 170#) 2001A-3A	2
	348377 (1525# x 74# rate) 2021	2		379621 (2200# rate 165#-175#) 2001A-3A	2
	326860 (1625# rate 77#) (Side carrier) 2021-30	..	2		379174 (980# rate 110#) (Use on 1522-72) 2003-6	..	2
	335692 (1750# x 77# rate) 2023	2		379175 (940# rate 110#) (Use on 1525-75) 2003-6	..	2
	338166 (1870# rate 90#) (Side carrier) 2023	2		367726 (1000# rate 110#) 2004-7	2
14.001	ADAPTOR, Spring (front)				367961 (1200# rate 122#) 2005-8-55	2
	348287 (Side carrier) 2021-30	4		364663 (1320# rate 122#) 2005-8-55	2
14.002	BUMPER ASSEMBLY, Spring front				378640 (870# rate 105#) (Use on 1502-12) 2010-1	..	2
	373881 1951-2000-1-3-6-10-11	2		378641 (830# rate 105#) (Use on 1505-15) 2010-1	..	2
	333038 2001A-3A-4-5-7-8-23-55	2		367721 (750# rate 100#) 2020	2
	358170 2020-1	2		367720 (820# rate 100#) 2021	2
	5506 (50.220) Lockwasher 3/8 2001A-3A-4-5-7-8-23-55	2		364660 (880# rate 100#) 2023	2
	7006 (50.100) Nut 3/8-24 2001A-3A-4-5-7-8-23-55	2		364618 (1200# rate 120#) 2030	2
14.003	SEAT, Spring front bumper			14.1015	BLOCK, Spring rear		
	348259 2001A-3A-4-5-7-8-23-55	2		362660 Left 2000-1-10-11	1
14.004	STRIKER, Spring front bumper (lower)				362664 Left 2001A-3A-4-5-7-8-55	1
	323050 2001A-3A-4-5-7-8-23-55	2		367727 Left 1951-2003-6	1
14.006	RETAINER, Spring front compression bumper				362662 Left 2021-23-30	1
	216724 1951-2000-1-3-6-10-11-20-1	2		362661 Right 2000-1-10-11	1
14.007	BRACKET, Spring front compression bumper striker & stabilizer				362665 Right 2001A-3A-4-5-7-8-55	1
	351163 Right 2020-1-3	1		367728 Right 1951-2003-6	1
	351162 Left 2020-1-3	1		362663 Right 2021-3-30	1
14.008	INSULATOR, Spring front			14.1025	BOLT AND NUT, Spring rear - center		
	367709 1951-2000-1-3-6-10-11	2		364251 20th Sr.	2
	326706 2001A-3A-4-5-7-8-23-55	2	14.105	BUSHING, Spring rear		
	341821 2020-1	2		347126 1951-2000-1-3-6-10-11-20-1-3	12
	326706 (Side carrier) 2021	2		354999 2001A-3A-4-5-7-8-55	12
	326706 2030	2	14.1051	BOLT, Spring rear bushing		
					347431 Front 1951-2000-1-3-6-10-11-20-1-3	2

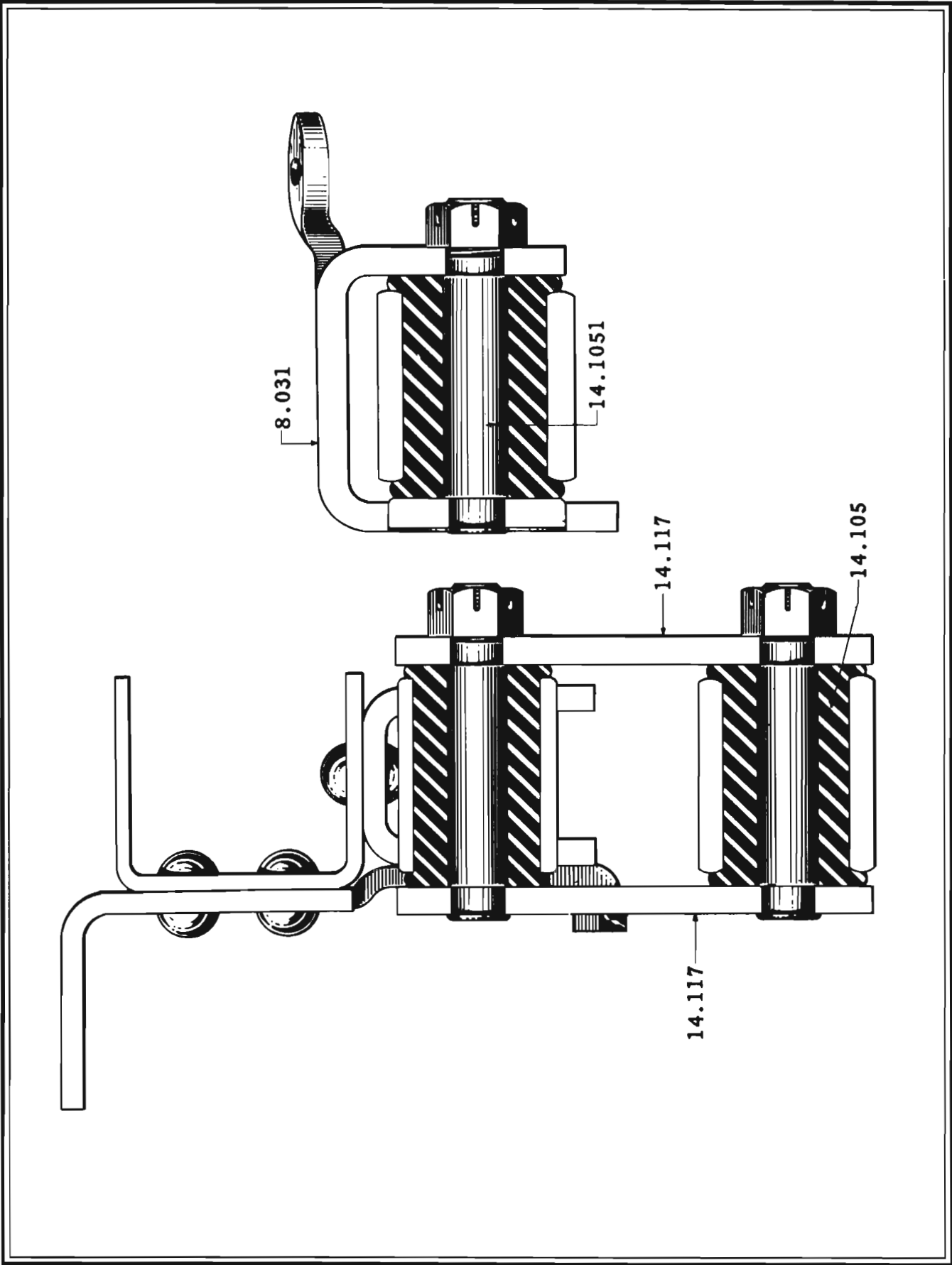
REAR SPRING LEAF SEPARATOR IDENTIFYING CHART

The location of the Separator, counting from front to rear of Spring, is shown opposite the Spring Part Number and under the Separator Part Number.

REAR SPRING PART NUMBER	PART NUMBER AND DESCRIPTION OF SEPARATOR					
	347427 RUBBER (5/16)	354799 RUBBER (3/8)	327753-(5%) ANTIMONY LEAD	327954 (7-1/2%) ANTIMONY LEAD	327726 (10%) ANTIMONY LEAD	358492 SILENITE
362515	All (18 Pcs.)
362516	All (18 Pcs.)
362517	All (18 Pcs.)
364618	1-16	2-3-4-5-6-7-8-9-10-11-12-13-14-15
364660	2-3-4-11-12-13	7-8	6-9	5-10	1-14
364663	1-2-6-7-8-11-12-13-17-18	9-10	3-4-5-14-15-16
367721	4-9	6-7	5-8	1-2-3-10-11-12
367722	1-12	6-7	5-8	4-9	2-3-10-11
367723	4-9	6-7	5-8	1-2-3-10-11-12
367726	3-4-5-12-13-14	8-9	7-10	6-11	1-2-15-16
367961	1-2-6-7-8-11-12-13-17-18	9-10	3-4-5-14-15-16
378640	1-12	6-7	5-8	4-9	2-3-10-11
378641	1-12	6-7	5-8	4-9	2-3-10-11
379174	1-12	6-7	5-8	4-9	2-3-10-11
379175	1-12	6-7	5-8	4-9	2-3-10-11
379621	All (18 Pcs.)



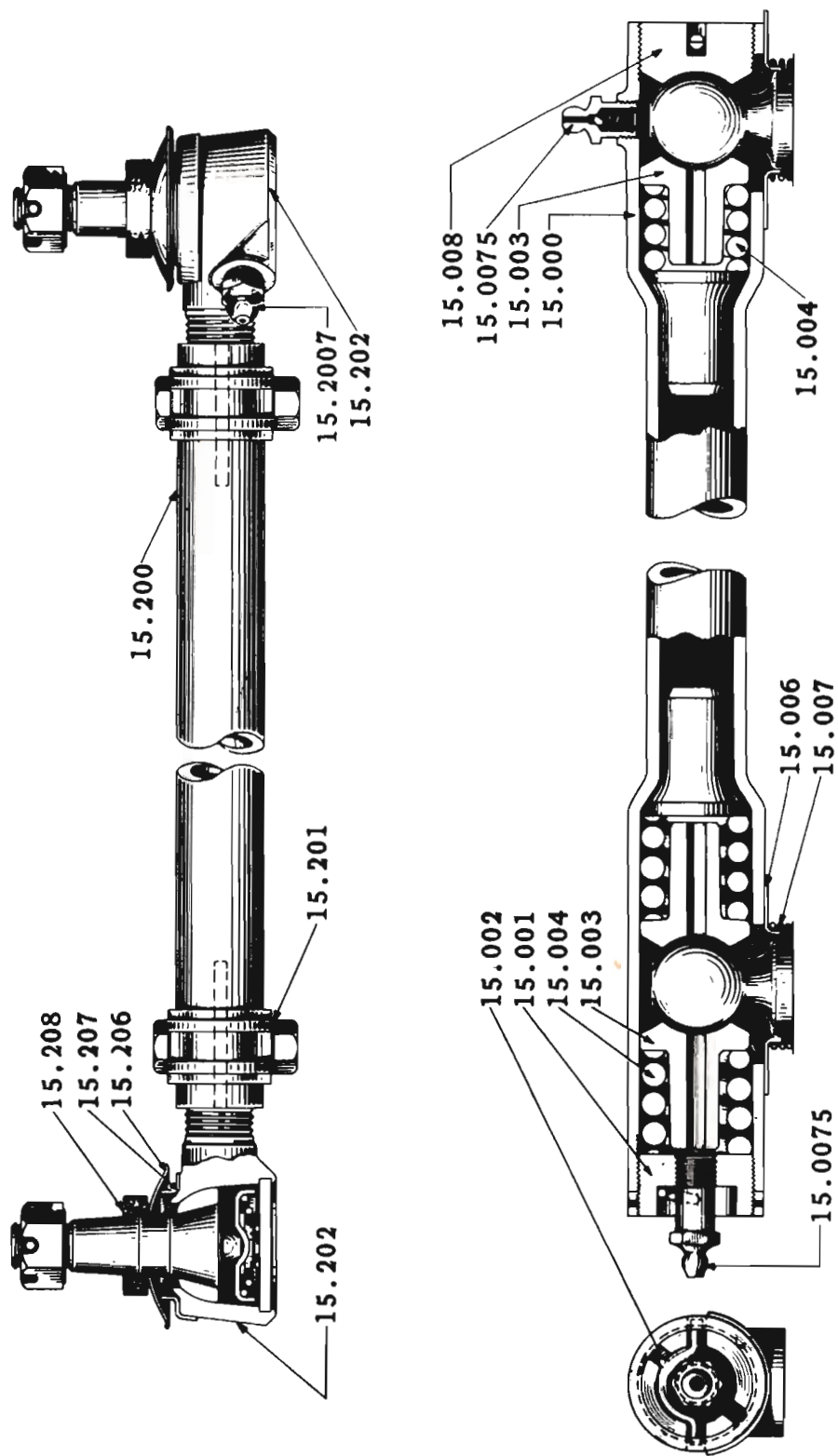
REAR SPRING



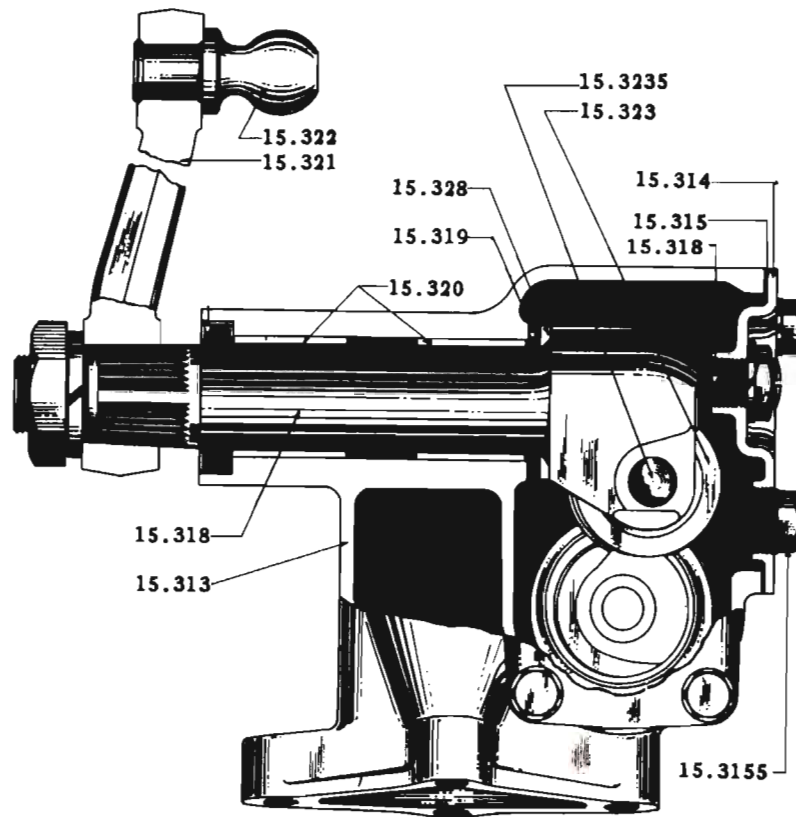
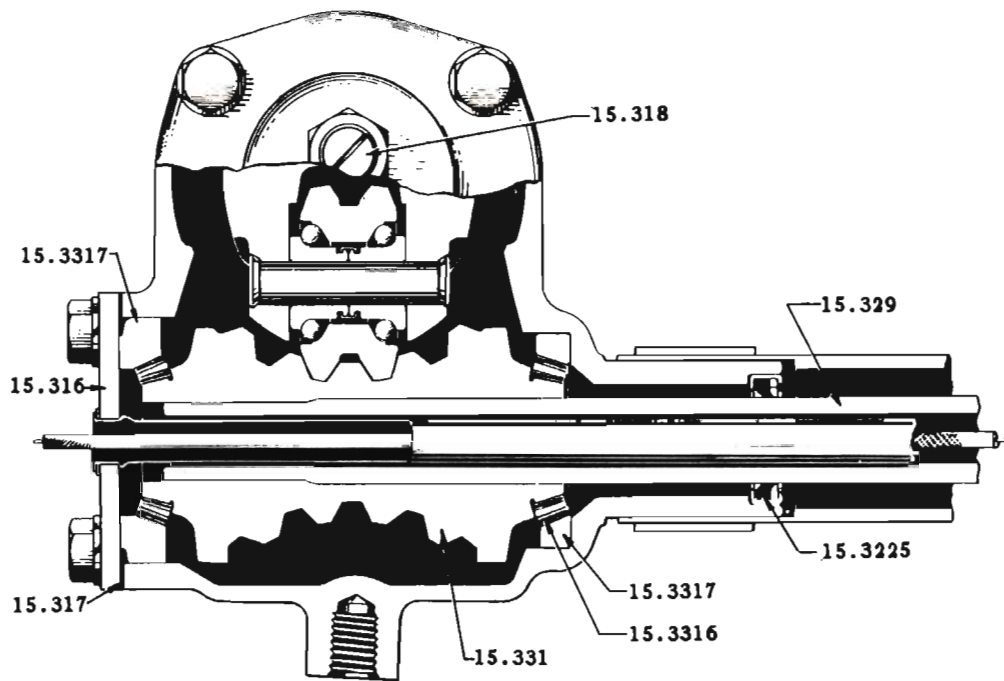
REAR SPRING SHACKLE

SPRING STEERING AND SUSPENSION

INDEX NO.	PART NO.	DESCRIPTION AND MODELS	PER CAR	INDEX NO.	PART NO.	DESCRIPTION AND MODELS	PER CAR
REAR—Continued				CONNECTING ROD			
14.1051	BOLT, Spring rear bushing (Cont'd)			15.000	ROD ASSEMBLY, Steering connectio		
	330892 Front 2001A-3A-4-5-7-8-55		2		373749 1951-2000-1-3-6-10-11		1
	7156 (50.120) Locknut 1951-2000-1-3-6-10-11-20-1-3		6		316251 LHD 2001A-3A-4-5-7-8-20-1-3-55		1
	7157 (50.120) Locknut 2001A-3A-4-5-7-8-55		6		316643 RFD 2001A-3A-4-5-7-8-20-1-3-55		1
14.106	CLIP, Spring rear			15.001	PLUG, Rod adjusting		
	351716 2000-1-10-11-20		4		371323 1951-2000-1-3-6-10-11		2
	324059 2001A-3A-5-8-55		4		316253 (Inner) 2001A-3A-4-5-7-8-20-1-3-55		1
	320747 1951-2003-4-6-7-21-3-30		4		320143 (Outer) 2001A-3A-4-5-7-8-20-1-3-55		1
	114608 Nut 1/2-20		8		4312 (50.240) Cotter pin 1/8 x 1-3/4		1
14.109	LEAF, Spring rear main			15.002	LOCK WIRE, Rod adjusting plug		
	354406 (54-3/8 x 2 x 1.130 eye) 2000-1-3-6-10-11-20-1-3		2		316254 (Inner) 2001A-3A-4-5-7-8-20-1-3-55		1
	382470 (54-3/8 x 2 x 1-3/8 eye) 2001A-3A-4-5-7-8-55		2	15.003	SEAT, Rod ball		
14.110	SEPARATOR, Spring rear leaf (See chart)				371330 1951-2000-1-3-6-10-11		8
	327753 (5% Antimony Lead) 1951-20th Sr.	x			316255 (Inner) 2001A-3A-4-5-7-8-20-1-3-55		2
	327954 (7-1/2% Antimony Lead) 1951-20th Sr.	x			316256 (Outer) 2001A-3A-4-5-7-8-1-3-55		1
	327726 (10% Antimony Lead) 1951-20th Sr.	x		15.0035	PLUG, Steering connecting rod ball seat		
	347427 (5/16 thick Rubber) 1951-20th Sr.	x			371329 1951-2000-1-3-6-10-11		2
	354799 (3/8 thick Rubber) 1951-20th Sr.	x		15.004	SPRING, Rod ball seat		
	358492 (Silenite) 1951-20th Sr.	x			373704 1951-2000-1-3-6-10-11		2
14.111	OIL RETAINER ASSEMBLY, Spring rear leaf Separator				316259 (Inner) 2001A-3A-4-5-7-8-20-1-3-55		2
	330614 1951-20th Sr.	x			316260 (Outer) 2001A-3A-4-5-7-8-20-1-3-55		1
14.113	CLIP, Spring rear rebound			15.0045	BUMPER, Steering connecting rod ball seat spring		
	375854 (Intermediate) 20th Sr.	4			371332 1951-2000-1-3-6-10-11		2
	375855 (Center) 2000-1-3-6-10-11	2		15.006	COVER, Rod dust		
	375856 (Center) 2001A-3A-5-8	2			316262 2001A-3A-4-5-7-8-20-1-3-55		2
14.114	BUMPER, Spring rear rubber			15.007	SPRING, Rod dust cover		
	355047 1951-20th Sr.	2			316684 2001A-3A-4-5-7-8-20-1-3-55		2
14.116	CLIP, Spring rear rubber bumper			15.0071	LEVER AND BALL STUD ASSEMBLY, Steering connecting rod idler		
	320394 1951-20th Sr.	4			373313 1951-2000-1-3-6-10-11		1
	7006 (50.100) Nut 3/8-24 2001A-3A-4-5-7-8-20-1-3-55	4		15.0072	DUST COVER, Steering connecting rod idler lever ball stud		
	7388 (50.003) Screw 3/8-24 x 1 1951-2000-1-3-6-10-11	4			371325 1951-2000-1-3-6-10-11		1
	7080 (50.003) Screw 3/8-24 x 1-1/8 2001A-3A-4-5-7-8-20-1-3-55	4		15.0073	SPRING, Steering connecting rod idler lever ball stud dust cover		
14.117	SHACKLE, Spring rear				373702 1951-2000-1-3-6-10-11		1
	347412 1951-2000-1-3-6-10-11-20-1-3	2		15.0074	BUSHING ASSEMBLY, Steering connecting rod idler lever		
	354975 2001A-3A-4-5-7-8-55	2			371384 1951-2000-1-3-6-10-11		1
14.1170	SHACKLE EQUIPMENT Spring rear			15.00742	SEAL, Steering connecting rod idler lever bushing		
	356860 1951-2000-1-3-6-10-11-20-1-3	1			371382 1951		1
14.119	LINK, Spring rear shackle				378855 2000-1-3-6-10-11		1
	347414 1951-2000-1-3-6-10-11-20-1-3	4		15.00744	SPRING, Steering connecting rod idler lever bushing		
	354974 2001A-3A-4-5-7-8-55	4			382446 2000-1-3-6-10-11		1
				15.00746	SUPPORT, Steering connecting rod idler lever		
					371368 1951-2000-1-3-6-10-11		1
					5506 (50.220) Lockwasher 3/8		2
					7080 (50.003) Screw 3/8-24 x 1-1/8		2
				15.0075	OILER, Steering connecting rod		
					216548 (50.700) 1951-2000-1-3-6-10-11		2
					303748 (50.700) 2001A-3A-4-5-7-8-20-1-3-55		1
				15.0076	RESERVOIR, Rod oil		
					316261 2001A-3A-4-5-7-8-20-1-3-55		2



STEERING CROSS TUBE ASSEMBLY



STEERING GEAR

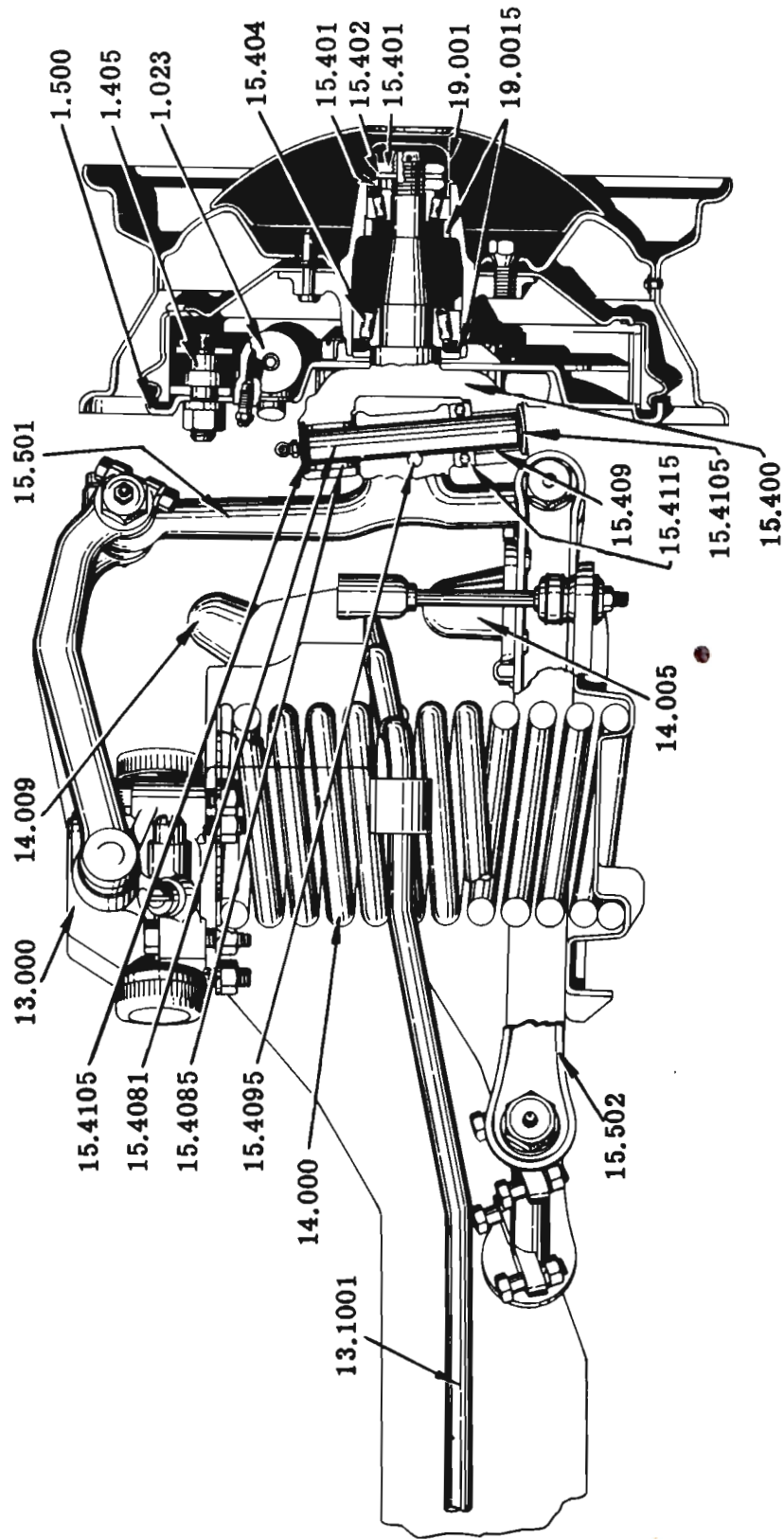
STEERING AND SUSPENSION

15.303 - 15.3100

INDEX NO.	PART NO.	DESCRIPTION AND MODELS	PER CAR	INDEX NO.	PART NO.	DESCRIPTION AND MODELS	PER CAR
GEAR—Continued				GEAR—Continued			
15.303		BRACKET, Steering column to instrument board (Cont'd)		15.3075		SHROUD, Steering column	
	377681	LHD (Green Gray) 2021-23-30	1		378251	LHD (Tan) 2000-1-3-10-11	1
	378464	RHD 2000-1-10-11	1		378319	LHD (Tan) (Not used on 1570) 2001A-3A-4-5 ..	1
	378006	RHD (Tan) 2001A-3A-4-5	1		378008	LHD (Tan) (Not used on 1571) 2005	1
	378348	RHD (Brown) 2007-8	1		378377	LHD (Chrome) 2006	1
	378313	RHD (Black) 2020-1-3	1		▲382380	LHD (Grained) 2006	1
	364214	RHD (Blue Gray) 2020-1-3	1		378320	LHD (Use on bodies 1542-51) 2007-8	1
	364215	RHD (Green Gray) 2020-1-3	1		378330	LHD (Use on bodies 1401-1532-50) 1951-2007-8	1
	362814	RHD (Tan) 2020-1-3	1		378007	LHD (Black) 2020-1-3	1
	5504	(50.220) Lockwasher 5/16 1951-20th Sr. ...	x		377769	LHD (Blue Gray) 2020-1-3	1
	6044	(50.230) Lockwasher 5/16 2001A-3A-4-5-7-8-20-1-3-55	1		377771	LHD (Green Gray) 2020-1-3	1
	6783	Lockwasher 5/16 LHD 2001A-3A-4-5-7-8-20-1-3-55	2		377350	LHD (Tan) 2020-1-3	1
	7005	(50.100) Nut 5/16-24 1951-2000-1-3-6-10-11	2		378880	(Green Gray) 2030	1
	7385	(50.003) Screw 5/16-24 x 1-1/4 2000-1-3-6-10-11	2		377586	LHD (Tan) (Use on body 1590) 2055	1
	7935	(50.003) Screw 5/16-24 x 1-3/8 hex. hd. 1951	2		377350	LHD (Tan) (Use on body 1591) 2055	1
	7558	(50.004) Screw 5/16-24 x 1-1/4 LHD 2001A-3A-4-5-7-8-55	1		378760	RHD (Tan) 2000-1-10-11	1
	7828	(50.003) Screw 5/16-24 x 1-1/8 LHD 2001A-3A-4-5-7-8-20-1-3-55	2		378010	RHD (Tan) 2001A	1
	#379977	Screw 5/16-24 LHD 2020-1-3	1		378009	RHD (Tan) 2003A-4-5	1
	379978	Clamping Screw LHD 2020-1-3	1		378321	RHD (Chrome) 2007-8	1
	#362890	Screw 5/16-24 2001A-3A-4-5-7-8-55	1		378541	RHD (Black) 2021	1
	3909	Washer 5/16 2020-1-3	x		377775	RHD (Blue Gray) 2021	1
	6359	(50.200) Washer 5/16 Right side 2000-1-3-6-10-11	1		377776	RHD (Green Gray) 2021	1
	6359	(50.200) Washer 5/16 1951	2		377774	RHD (Tan) 2021	1
	6359	(50.200) Washer 5/16 RHD 2001A-3A-4-5-7-8-55	2		378542	RHD (Black) 2020-3	1
	7861	(50.003) Screw 5/16-24 x 1" RHD 2001A-3A-4-5-7-8-20-1-3-55	2		377770	RHD (Blue Gray) 2020-23	1
	362233	Clamping screw RHD 2001A-3A-4-5-7-8-20-1-3-55	1		377772	RHD (Green Gray) 2020-3	1
	#379979	Screw RHD 2001A-3A-4-5-7-8-20-1-3-55	1		377768	RHD (Tan) 2020-3	1
15.304		ANTI-SQUEAK, Instrument board bracket			7650	(50.300) Screw #6 x 1/4 LHD 1951-2000-1-3-6-10-11-21-3	x
	373297	LHD 2000-1-10-11	1		7563	(50.300) Screw #8 x 1/4 RHD 2001A-3A-4-5-7-8-20-1-3-55	1
	373456	LHD 1951-2003-6	1	15.3076		GROMMET, Shroud	
15.3045		CAP, Steering column (to instrument board) bracket			356442	1951-2000-1-3-6-10-11	1
	373392	1951	1		378011	LHD (Lower Tan) 2001A-3A-4-5-55	1
	379733	LHD (Supersedes 378979) 2000-1-10-11	1		378347	LHD (Lower Brown) 2007-8	1
	378250	LHD (Tan) 2003	1		378356	LHD (Lower Black) 2020	1
	378385	LHD (Brown) 2006	1		377683	LHD (Lower Blue Gray) 2020	1
	378517	RHD 2000-1-10-11	1		377684	LHD (Lower Green Gray) 2020	1
	6044	(50.230) Lockwasher 5/16	2		377486	LHD (Lower Tan) 2020	1
	7719	(50.004) Screw 5/16-18 x 1"	2		378315	LHD (Lower Black) 2021-3	1
15.305		GROMMET, To instrument board bracket (rubber)			377677	LHD (Lower Blue Gray) 2021-3	1
	304043	RHD 2001A-3A-4-5-7-8-55	2		377678	LHD (Lower Green Gray) 2021-3-30	1
15.306		INSULATOR, To instrument board bracket			356442	(Upper) 2001A-3A-4-5-7-8-20-1-3-55	1
	362210	RHD 2001A-3A-4-5-7-8-55	1		378594	RHD (Lower tan) 2001A-3A-4-5-55	1
15.307		SPACER, To instrument board bracket			378338	RHD (Lower Brown) 2007-8	1
	354179	LHD 2001A-3A-4-5-7-8-20-1-3-55	2		378012	RHD (Lower Black) 2020-1-3	1
15.3072		BRACE, Steering column dash			364167	RHD (Lower Blue Gray) 2020-1-3	1
	376130	1951-2000-1-3-6-10-11	1		364168	RHD (Lower Green Gray) 2020-1-3	1
15.3073		BRACKET, Steering column dash brace			362274	RHD (Lower Tan) 2020-1-3	1
	376110	1951	1	15.308		INSULATOR, Toe board	
15.3074		INSULATION, Steering column (to dash)			330410	(LHD) 2001A-3A-4-5-7-8-21-3-55	1
	373388	LHD 2000-1-10-11	1		333219	(LHD) 2020	1
	373389	LHD 1951-2003-6	1	15.309		PLATE, Toe board insulator	
	378856	RHD 2000-1-10-11	1		364064	(LHD) 2001A-3A-4-5-7-8-21-3-55	1
					333220	(LHD) 2020	1
					364158	(RHD) 2001A-3A-4-5-7-8-21-3-55	1
					364169	(RHD) 2020	1
				15.3100		BOLT, Steering gear assembly attaching	
					324329	LHD 2000-1-3-6-10-11	4
					324335	LHD (Long) 1951-2001A-3A-4-5-7-8-21-3-55 ..	3
					362812	LHD (Short) 2001A-3A-4-5-7-8-21-3-55	1
					362810	LHD (Long) 2020	3
					362811	LHD (Short) 2020	1
					324329	RHD 2000-1-1A-3A-4-5-7-8-10-11-21-3-55	4
					324328	RHD 2020	4
					5508	(50.220) Lockwasher 20th Sr.	x

▲ Used on Clipper Four Door Sedans built after Jan. 1, 1942 only. All other body types have chrome trim.

* Used with Econo Drive.



FRONT SUSPENSION - FRONT VIEW - (CLIPPER TYPE)

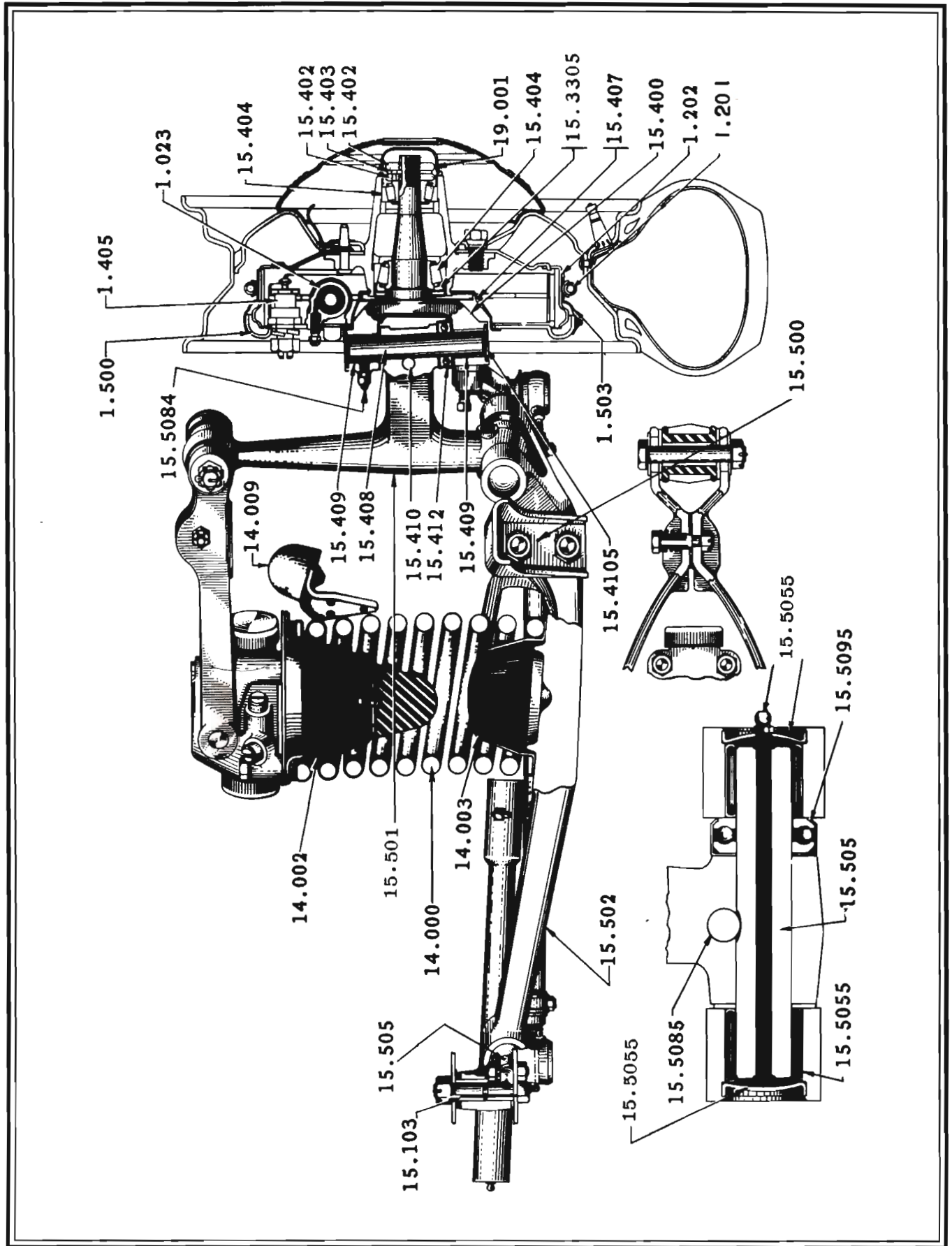
STEERING AND SUSPENSION

15.3100 - 15.3317

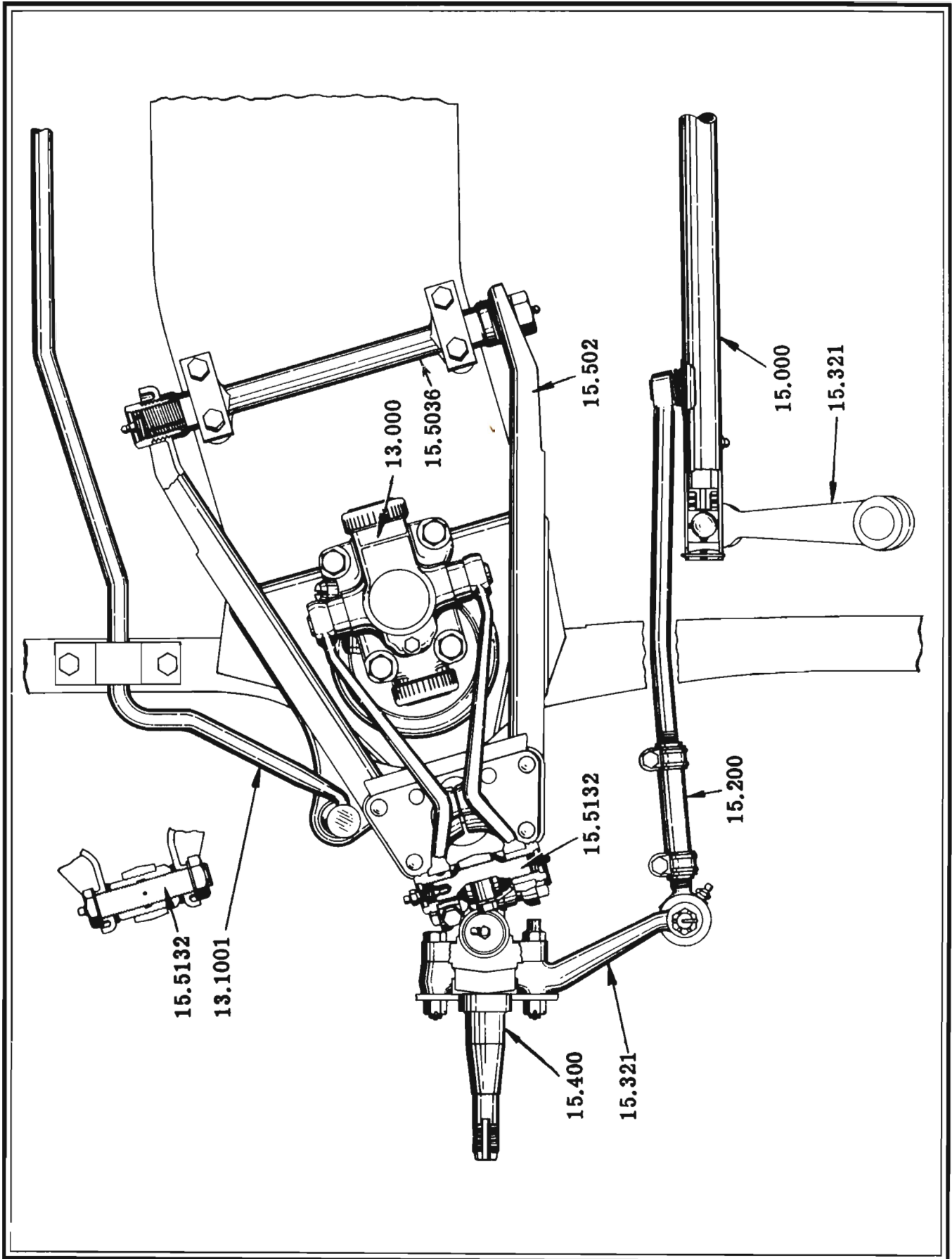
INDEX NO.	PART NO.	DESCRIPTION AND MODELS	PER CAR	INDEX NO.	PART NO.	DESCRIPTION AND MODELS	PER CAR
GEAR—Continued				GEAR—Continued			
15.3100		BOLT, Steering gear assembly attaching (Cont'd)		15.322		BALL STUD, Cross shaft lever	
	7007 (50.100)	Nut 7/16-20 20th Sr.	4	373344	1951-2000-1-3-6-10-11		1
	362808 (50.100)	Nut 7/16-20 LHD 1951-2001A-3A-4-5-7-8-20-1-3-55	3	302127	LHD 2001A-20-1		1
	6614 (50.200)	Washer 7/16 RHD 2001A-3A-4-5-7-8-20-1-3-55	4	358058	LHD 2003A-4-5-7-8-23-55		1
	7321 (50.200)	Washer 7/16 2000-1-3-6-10-11	4	302127	RHD 2001A-3A-4-5-7-8-23-55		1
15.3101		INSULATOR, To frame		4292 (50.240)	Cotter pin LHD 2003A-4-5-7-8-23-55		1
	371986	1951	2	15.3221	WASHER, Cross shaft lever ball stud		
	362793	LHD 2001A-3A-4-5-7-8-20-1-3-55	2	358789	Lower LHD 2003A-4-5-7-8-23-55		1
15.3102		PLATE, To frame insulator		358788	Upper LHD 2003A-4-5-7-8-23-55		1
	371987	1951	2	7108 (50.110)	Nut		1
	362792	LHD 2001A-3A-4-5-7-8-20-1-3-55	2	15.3222	BUSHING, Cross shaft lever ball stud		
15.313		CASE ASSEMBLY, Steering gear		358791	LHD 2003A-4-5-7-8-23-55		1
	373334	1951	1	15.3223	SEAL, Cross shaft lever ball stud bushing		
	377379	LHD 2000-1-3-6-10-11	1	358790	LHD 2003A-4-5-7-8-23-55		2
	330416	LHD 2001A-3A-4-5-7-8-20-1-3-55	1	15.3224	DUST COVER, Steering gear cross shaft lever (to connecting rod)		
	378555	RHD 2000-1-10-11	1	371325	1951-2000-1-3-6-10-11		1
	333905	RHD 2001A-3A-4-5-7-8-20-1-3-55	1	15.32245	SPRING, Steering gear cross shaft lever dust cover (to connecting rod)		
	338639 (50.556)	Dowel 20th Sr.	1	373702	1951-2000-1-3-6-10-11		1
	6614 (50.200)	Washer 7/16 RHD 2001A-3A-4-5-7-8-20-1-3-55	2	15.3225	OIL SEAL ASSEMBLY, Cross shaft		
15.314		COVER ASSEMBLY, Steering gear case cross shaft		302274	1951-20th Sr.		1
	302243	1951-20th Sr.	1	15.323	ROLLER ASSEMBLY, Cross shaft		
	5504 (50.220)	Lockwasher 5/16 1951-20th Sr.	4	351796	1951-20th Sr.		1
	6465 (50.003)	Screw 5/16-18 x 5/8 20th Sr.	4	15.3235	ROLLER PIN, Cross shaft		
	6185 (50.003)	Screw 5/16-18 x 5/8 hex. hd. 1951 .	4	315658	1951-20th Sr.		1
15.315		GASKET, Steering gear case cross shaft cover assembly		15.328	THRUST WASHER, Cross shaft		
	302241	1951-20th Sr.	1	302884	1951-20th Sr.		1
15.3155		PLUG, Steering gear case oil		303316	Dowel		2
	302234	1951-20th Sr.	1	15.329	SHAFT & WORM ASSEMBLY, Steering gear		
15.316		TUBE ASSEMBLY, Steering gear case worm cover grease retaining		373305	LHD 2000-1-10-11		1
	324088	1951-20th Sr.	1	335347	LHD (Not used on bodies 1532-50-70-90) 2001A-3A-4-5-7-8-21-3-55		1
15.317		SHIM, Steering gear case worm cover		373446	LHD 1951-2003-6		1
	324011 (Medium)	1951-20th Sr.	x	358256	LHD (Use on bodies 1532-50-70-90) 2005-7-8-55		1
	317689 (Thick)	1951-20th Sr.	x	335890	LHD 2020		1
	317688 (Thin)	1951-20th Sr.	x	378731	RHD 2000-1-10-11		1
15.318		SHAFT ASSEMBLY, Steering gear cross		335715	RHD 2001A-3A-4-5-6-7-8-21-3-55		1
	373486	LHD 1951-2000-1-3-6-10-11	1	335891	RHD 2020		1
	351803	LHD 2001A-3A-4-5-6-7-8-20-1-3-55	1	15.3295	BEARING ASSEMBLY, Steering gear shaft		
	351804	RHD 20th Sr.	1	362068	1951-20th Sr.		1
	6574 (50.230)	Lockwasher 9/16	1	15.3296	SPACER, Shaft bearing		
	302255 (50.100)	Locknut	1	362075	1951-20th Sr.		1
	213315 (50.320)	Screw	1	15.3305	OIL SEAL ASSEMBLY, Shaft		
15.319		SHIM, Cross shaft adjusting		323777	1951-20th Sr.		1
	302882 (Thick)	1951-20th Sr.	x	15.331	WORM, Steering gear		
	302883 (Thin)	1951-20th Sr.	x	323803	LHD 1951-20th Sr.		1
	304611 (.005)	1951-20th Sr.	x	329282	RHD 20th Sr.		1
15.320		BUSHING, Cross shaft		15.3315	RING, Worm bearing adjusting		
	333078	1951-20th Sr.	2	316203	1951-20th Sr.		1
15.321		LEVER ASSEMBLY, Cross shaft		15.3316	CAGE & ROLLER, Worm bearing		
	373311	LHD 1951-2000-1-3-6-10-11	1	316207	1951-20th Sr.		2
	302137	LHD 2001A-20-1	1	15.3317	CLIP, Worm bearing		
	358189	LHD 2003A-4-5-7-8-23-55	1	316206	1951-20th Sr.		1
	378772	RHD 2000-1-10-11	1				
	303080	RHD 2001A-3A-4-5-7-8-20-1-55	1				
	5520 (50.220)	Lockwasher 7/8	1				
	302247 (50.100)	Nut	1				

STEERING AND SUSPENSION

INDEX NO.	PART NO.	DESCRIPTION AND MODELS	PER CAR	INDEX NO.	PART NO.	DESCRIPTION AND MODELS	PER CAR
GEAR—Continued				KNUCKLES—Continued			
15.333		STEERING WHEEL ASSEMBLY		15.4072		GASKET, Wheel front steering knuckle oil guard	
	356595	(Brown and tan) 1951	1		367675	1951-2000-1-3-6-10-11	2
	378027	(Chrome Brown & Tan) 2000-1	1	15.408		PIN EQUIPMENT, Wheel (front steering knuckle)	
	378013	(Chrome & Gray) 2001A-3-3A-4-5-6	1		382511	1951-2000-1-3-6-10-11	1
	378014	(Brown) 2007-8	1	15.4081		PIN, Knuckle	
	378290	(Chrome Blue & Tan) 2010-1	1		367761	1951-2000-1-3-6-10-11	2
	378304	(Black & Maroon) 2020-1-3	1		330868	2001A-4-5-7-8-20-1-3-55	2
	378291	(Blue & Tan) 2020-1-3	1		240030	2001A Amb.	2
	378027	(Brown & Tan) 2020-1-3	1		240030	2003A	2
	378303	(Maroon & Tan) 2020-1-3	1	15.4085		BEARING, Wheel front steering knuckle pin	
	378302	(Green & Green Gray) 2020-1-30 ..	1		339774	(Roller type) 1951-2000-1-3-6-10-11	2
	377455	(Gray & Tan) 2055	1	15.409		BUSHING, Knuckle pin	
	335380	(50.100) Nut 3/4 spl.	1		338117	Lower 1951	2
KNUCKLES					335537	Upper 1951	2
15.400		KNUCKLE ASSEMBLY, Wheel (front) steering			339774	Upper 2000-1-3-6-10-11	2
	367744	1951	2		379270	Lower 20th Sr.	2
	377513	2000-1-10-11	2		379269	Upper 2001A-4-5-7-8-20-1-3-55	2
	371094	2001A-4-5-7-8-20-1-3-55	2		240031	2001A Amb. 2003A	4
	240044	2001A-Amb.	2	15.4095		PIN, Knuckle pin lock	
	378795	2003-6	2		367629	1951-2000-1-3-6-10-11	2
	7189	(50.110) Nut 3/4-16 2000-1-10-11	2		304599	2001A-3A-4-5-7-8-20-1-3-55	2
15.401		ADJUSTING NUT, Knuckle		15.4105		PLUG, Knuckle	
	302721	Inner 1951-2001A-3-3A-4-5-6-7-8-20-1-3-55 .	2		302551	Lower 1951-2000-1-3-6-10-11	2
	302684	Outer 1951-2001A-3-3A-4-5-6-7-8-20-1-3-55 .	2		373919	Upper 1951-2000-1-3-6-10-11	2
	4308	(50.240) Cotter pin 1/8 x 1-1/4	2		302551	2001A-4-5-7-8-20-1-3-55	4
15.4015		PIN, Knuckle adjusting nut			111561	2001A Amb. 2003A	4
	43293	1951-2001A-3-3A-4-5-6-7-8-20-1-3-55	2	15.411		SHIM, Knuckle	
15.402		WASHER (LOCK), Knuckle adjusting nut			362120	(.053) 1951	x
	334995	2000-1-10-11	2		302958	(.053) 2000-1-1A-3-4-5-6-7-8-10-11-20-1-3-55	x
	302720	1951-2001A-3-3A-4-5-6-7-8-20-1-3-55	2		362121	(.054) 1951	x
15.404		BEARING ASSEMBLY, Knuckle			316978	(.054)	x
	348640	(Inboard) 2000-1-10-11	2		362122	(.055) 1951	x
	303401	(Inboard) 1951-2001A-3-4-5-6-7-8-20-21-23-55	2		316979	(.055)	x
	176593	(Inboard) 2003A	2		302957	(.056) 1951	x
	379474	(Outboard) 2000-1-10-11	2		362124	(.057) 1951	x
	303400	(Outboard) 1951-2001A-3-4-5-6-7-8-20-21-23-55	2		316980	(.057)	x
	97056	(Outboard) 2003A	2		362125	(.058) 1951	x
15.4045		GASKET, Wheel front steering knuckle			316981	(.058)	x
	367681	1951-2000-1-3-6-10-11	2		362126	(.059) 1951	x
15.406		LEVER, Knuckle			302956	(.059)	x
	373898	Right 1951-2000-1-3-6-10-11	1		362127	(.060) 1951	x
	355069	Right 2001A-4-5-7-8-20-1-3-55	1		316982	(.060)	x
	333196	Right 2001A Amb.	1		362128	(.061) 1951	x
	333196	Right 2003A	1		316983	(.061)	x
	373897	Left 1951-2000-1-3-6-10-11	1		362129	(.062) 1951	x
	355068	Left 2001A-4-5-7-8-20-1-3-55	1		302952	(.062)	x
	333195	Left 2001A Amb.	1		362130	(.063) 1951	x
	333195	Left 2003A	1		316984	(.063)	x
	7006	(50.100) Nut 3/8-24 2001A-3A-4-5-7-8-20-1-3-55	2		362131	(.064) 1951	x
	180803	(50.848) Screw 2001A-3A-4-5-7-8-20-1-3-55 .	2		316985	(.064)	x
15.4065		OILER, Knuckle			302955	(.065) 1951	x
	373925	1951-2000-1-3-6-10-11	2		316986	(.066) 1951	x
	364153	2001A-3A-4-5-7-8-21-3-55	2		362134	(.067) 1951	x
	216549	2020	2		316987	(.067)	x
15.407		OIL GUARD & BAFFLE ASSEMBLY, Knuckle			302954	(.068) 1951	x
	232776	2001A Amb.	2		362136	(.069) 1951	x
15.4071		OIL GUARD, Knuckle			316988	(.069)	x
	367674	1951-2000-1-3-6-10-11	2		362137	(.070) 1951	x
	315756	2001A-4-5-7-8-20-1-3-55	2		316989	(.070)	x
	232774	2001A Amb.	2		362138	(.071) 1951	x
	232774	2003A	2		302953	(.071) 1951	x
					316990	(.072)	x

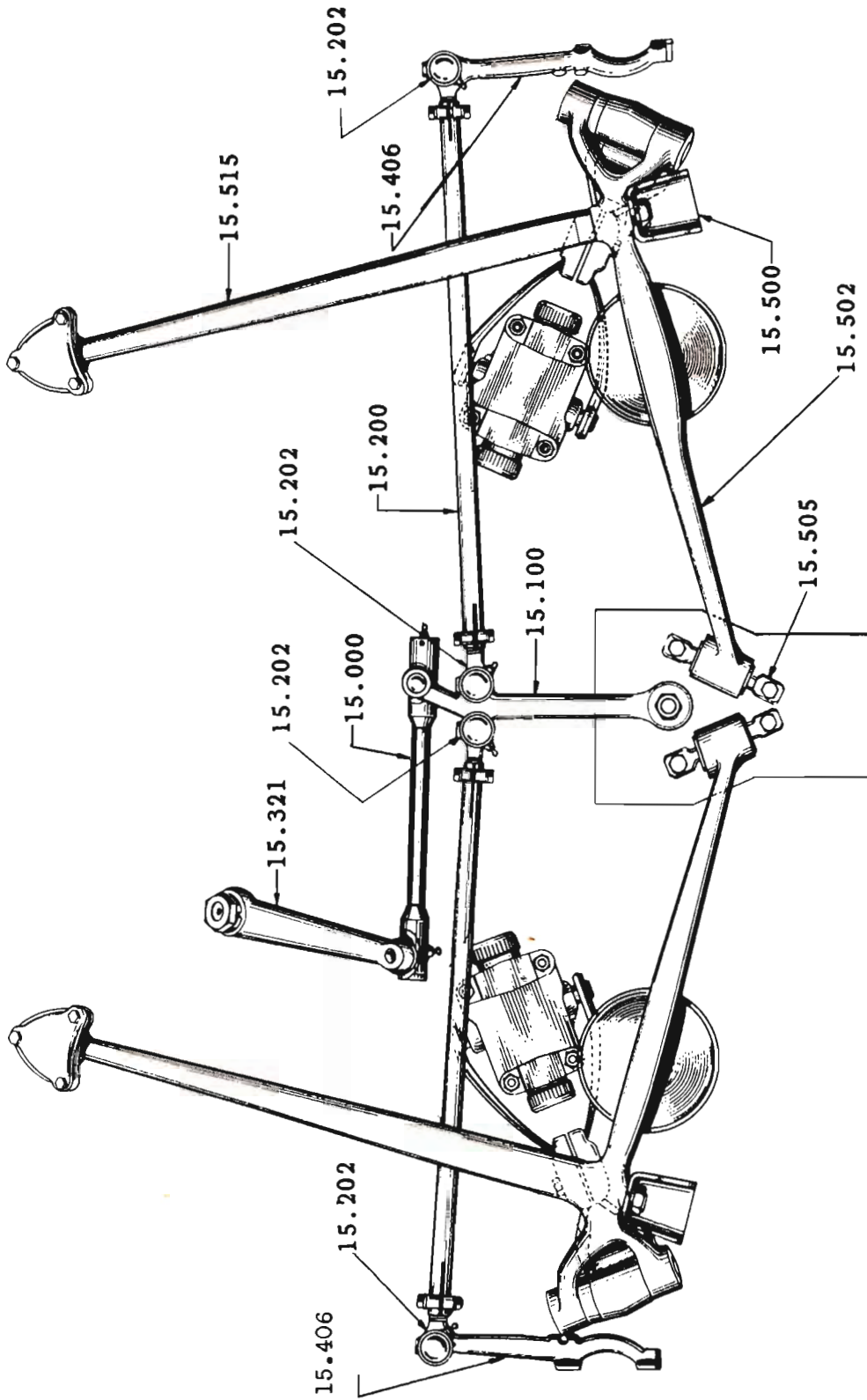


FRONT SUSPENSION



FRONT SUSPENSION - TOP VIEW (CLIPPER TYPE)

INDEX NO.	PART NO.	DESCRIPTION AND MODELS	PER CAR	INDEX NO.	PART NO.	DESCRIPTION AND MODELS	PER CAR
KNUCKLES—Continued				KNUCKLE SUPPORT AND ARM—Continued			
15.411	SHIM, Knuckle (Cont'd)			15.503	SHIM, Support arm bearing (Cont'd)		
	237083 (.053)	2001A Amb. 2003A	x		302953 (.071)		x
	237970 (.054)		x		316990 (.072)		x
	237971 (.055)		x	15.5035	BUSHING ASSEMBLY, Wheel front support arm (lower)		
	237084 (.056)		x		373264 Inner 1951-2000-1-3-6-10-11		4
	237972 (.057)		x	15.5036	BRACKET, Wheel front support arm (lower) bushing (inner)		
	237973 (.058)		x		373261 2000-1-3-6-10-11		2
	237085 (.059)		x		7929 (50.003) Bolt 7/16-20 x 1-1/2		8
	237974 (.060)		x		5508 (50.220) Lockwasher		8
	237975 (.061)		x		7007 (50.100) Nut 7/16-20		8
	237082 (.062)		x	15.5037	SEAL, Wheel front support arm (lower) bushing (inner)		
	237976 (.063)		x		373354 1951-2000-1-3-6-10-11		4
	237977 (.064)		x	15.505	PIN, Support arm		
	237086 (.065)		x		348048 (Outer) 2001A-3A-4-5-7-8-20-1-3-55		2
	237978 (.066)		x	15.5055	BEARING AND OILER ASSEMBLY, Support arm pin		
	237979 (.067)		x		348083 2001A-3A-4-5-7-8-20-1-3-55		4
	237087 (.068)		x	15.506	INSULATOR, Support arm inner pin		
	237980 (.069)		x		356715 2001A-3A-4-5-7-8-20-1-3-55		4
	237981 (.070)		x	15.507	THRUST WASHER, Support arm pin		
	237088 (.071)		x		356710 Front 2001A-3A-4-5-7-8-20-1-3-55		2
	237982 (.072)		x		356713 Rear 2001A-3A-4-5-7-8-20-1-3-55		2
15.4115	SPACER, Wheel front steering knuckle			15.508	RETAINER, Support arm pin thrust washer		
	367680 (To support plate) 1951-2000-1-3-6-10-11		4		356714 2001A-3A-4-5-7-8-20-1-3-55		2
15.412	THRUST BEARING, Wheel (front) steering knuckle			15.5084	OILER, Support arm pin bearing		
	300278 1951-2000-1-1A-3-4-5-6-7-8-10-11-20-1-3-55		2		348086 2001A-3A-4-5-7-8-20-1-3-55		4
	240032 2001A Amb. 2003A		2	15.5085	PIN, Support arm pin lock		
					304599 2001A-3A-4-5-7-8-20-1-3-55		2
KNUCKLE SUPPORT AND ARM				15.509	PIN & WASHER ASSEMBLY, Support arm (inner)		
15.500	BRACKET, Wheel (front) jack				356710 2001A-3A-4-5-7-8-20-1-3-55		2
	237021 (Use with stabilizer equipment) 2001A-3A-4-5-7-8-55		2		7951 Bolt 7/16-20 x 1-1/4		4
	304506 LHD (Not used with stabilizer equipment) 2001A-3A		2		5508 (50.220) Lockwasher 7/16		4
					7007 (50.100) Nut 7/16-20		4
15.501	SUPPORT, Wheel (front)			15.5095	BEARING, Support arm thrust		
	373248 Right 1951-2000-1-10-11		1		300278 2001A-3A-4-5-7-8-20-1-3-55		2
	358810 Right 2001A-4-5-7-8-20-1-3-55		1	15.511	PILOT & WASHER ASSEMBLY, Support bearing		
	240040 Right 2001A Amb. 2003A		1		338273 (No offset) 2001A-3A-4-5-7-8-20-1-3-55		x
	373858 Right 2003-6		1		338274 (1/16 offset)		x
	373247 Left 1951-2000-1-10-11		1		338275 (1/8 offset)		x
	358809 Left 2001A-4-5-7-8-20-1-3-55		1		338276 (3/16 offset)		x
	240039 Left 2001A Amb 2003A		1		371983 (1/4 offset)		x
	373857 Left 2003-6		1	15.512	INSULATOR, Support		
15.502	ARM ASSEMBLY, Wheel (front) support				338830 2001A-3A-4-5-7-8-20-1-3-55		4
	373245 Lower Right 1951 2000 1 3 6 10 11		1		335026 Bolt		2
	351394 Right 2001A-3A-4-5-7-8-23-55		1		4308 (50.240) Cotter pin 1/8 x 1-1/4		2
	351392 Right 2020-1		1		7940 (50.110) Nut 5/8-18		2
	373244 Lower Left 1951-2000-1-3-6-10-11		1		335027 Washer (inner)		4
	351393 Left 2001A-3A-4-5-7-8-23-55		1		303083 Washer (outer)		4
	351391 Left 2020-1		1	15.513	SPACER, Support insulator bolt		
15.503	SHIM, Support arm bearing				335034 2001A-3A-4-5-7-8-20-1-3-55		2
	302958 (.053) 2001A-3A-4-5-7-8-20-1-3-55		x	15.5132	PIVOT PIN, Wheel front support		
	316978 (.054)		x		373263 Lower 1951-2000-1-3-6-10-11		2
	316979 (.055)		x		367752 Upper 1951-2000-1-3-6-10-11		2
	302957 (.056)		x		7822 (50.003) Bolt 3/8-24 x 1-1/2		2
	316980 (.057)		x		5506 (50.220) Lockwasher		2
	316981 (.058)		x		373267 Lockwasher		4
	302956 (.059)		x		373266 Nut		2
	316982 (.060)		x				
	316983 (.061)		x				
	302952 (.062)		x				
	316984 (.063)		x				
	316985 (.064)		x				
	302955 (.065)		x				
	316986 (.066)		x				
	316987 (.067)		x				
	302954 (.068)		x				
	316988 (.069)		x				
	316989 (.070)		x				



FRONT SUSPENSION AND STEERING CROSS TUBE

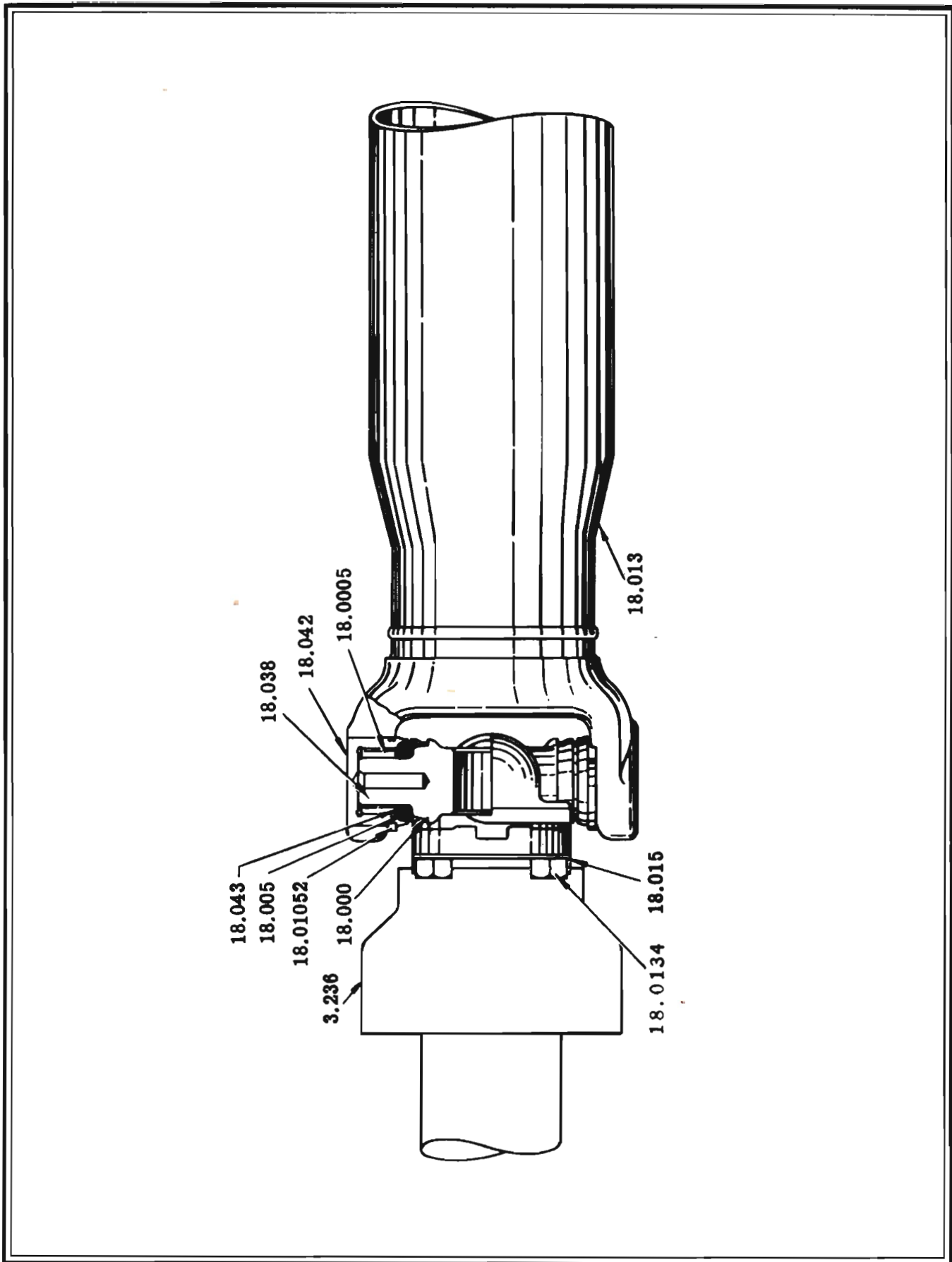
STEERING SUSPENSION TOOLS AND TRUNK RACK 15.5135 - 17.0126

INDEX NO.	PART NO.	DESCRIPTION AND MODELS	PER CAR	INDEX NO.	PART NO.	DESCRIPTION AND MODELS	PER CAR
KNUCKLE SUPPORT AND ARM—Continued				TOOLS			
15.5135		BUSHING, Wheel front support pivot pin		16.0025		JACK ASSEMBLY (Less Base)	
	373262	(Lower pin) 1951-2000-1-3-6-10-11	2		373648	1951-2000-1-3-6-10-11-20-1-3	1
	367754	(Upper pin - Front) 1951-2000-1-3-6-10-11 .	2		367773	2001A-3A-4-5-7-8-55	1
	367757	(Upper pin - Rear) 1951-2000-1-3-6-10-11 ..	2	16.003		BAG, Tool & Jack	
15.5136		SEAL, Wheel front support pivot pin			373646	1951-2000-1-3-6-10-11-20-1-3	1
	367749	(Lower pin) 1951	4		367394	2001A-3A-4-5-7-8-55	1
	377544	Lower 2000-1-3-6-10-11	4	16.0032		BASE, Jack	
	367760	Upper 1951-2000-1-3-6-10-11	4		364477	1951-2000-1-3-6-10-11-20-1-3	1
15.5137		OILER, Wheel front support pivot pin			364478	2001A-3A-4-5-7-8-55	1
	302739	(Lower pin) 1951-2000-1-3-6-10-11	2	16.0042		STAND, Jack	
	216548	(Upper pin) 1951-2000-1-3-6-10-11	2		364479	1951-2000-1-3-6-10-11-20-1-3	1
15.515		TORQUE ARM ASSEMBLY, Wheel (front)			364480	2001A-3A-4-5-7-8-55	1
	348350	Right 2020-1-3	1	16.005		PLIERS	
	348349	Left 2020-1-3	1		304413	1951-20th Sr.	1
	341193	2001A-3A-4-5-7-8-55	2	16.007		SCREW DRIVER	
	6439	(50.230) Lockwasher 5/8 20th Sr.	4		335164	1951-20th Sr.	1
	7010	(50.230) Nut 5/8-18	4	16.011		WRENCH, Spark plug	
	377807	Screw 5/8-18 x 3 2020-1	4		341228	1951-20th Sr.	1
	354515	Screw 5/8-18 x 2-7/8 2023	4	16.012		WRENCH, Wheel and jack	
	302359	Stud 2001A-3A-4-5-7-8-55	4		373650	1951-20th Sr.	1
15.516		INSULATOR, Torque arm		TRUNK RACK			
	348172	2020-1-3	4	17.0005		TRUNK RACK ASSEMBLY	
	7157	(50.120) Locknut 3/16-18	2		367287	2030	1
	348155	Stud	2	17.001		BRACE, Trunk rack	
15.517		BUSHING, Torque arm rubber			367020	2030	1
	304442	(Rubber) 2001A-3A-4-5-7-8-55	2		333761	Washer	4
	348351	(Steel) 2020-1-3	2		367021	SCREW (To bracket)	2
15.518		SHIM, Torque arm			6902	Nut 3/8-24	2
	304698	(1 degree) 2020-1	4		335227	Spring Washer	4
					367227	Pivot	2
				17.003		BRACKET, Trunk rack	
					367017	Right 2030	1
					367018	Left 2030	1
					7820	Screw (To bumper)	4
					367019	Screw (To rack)	2
					7006	Nut 3/8-24 (To bumper)	4
					6902	Nut 3/8-24 (To rack)	2
					5506	Lockwasher (To bumper)	4
					333761	Washer (To rack)	2
					335227	Spring Washer (To rack)	4
				17.0044		KNOB, Clamping	
					367022	2030	1
				17.0045		SPRING, Clamping knob	
					367234	2030	2
				17.0046		RETAINING RING, Clamping knob spring	
					367023	2030	1
				17.0047		RETAINING WASHER, Clamping knob spring	
					367235	2030	2
				17.0095		BRACKET, Pivot	
					367225	(Inner) 2030	1
					367226	(Outer) 2030	1
					5161	Rivet 3/8 x 1 C' sunk hd.	4
					4187	Rivet 3/8 x 1 Rnd. hd.	4
				17.0125		STRAP, Trunk rack	
					367095	2030	1
				17.0126		PLATE, Strap retaining	
					367217	2030	1
					6651	Rivets 3/16 x 7/16	2

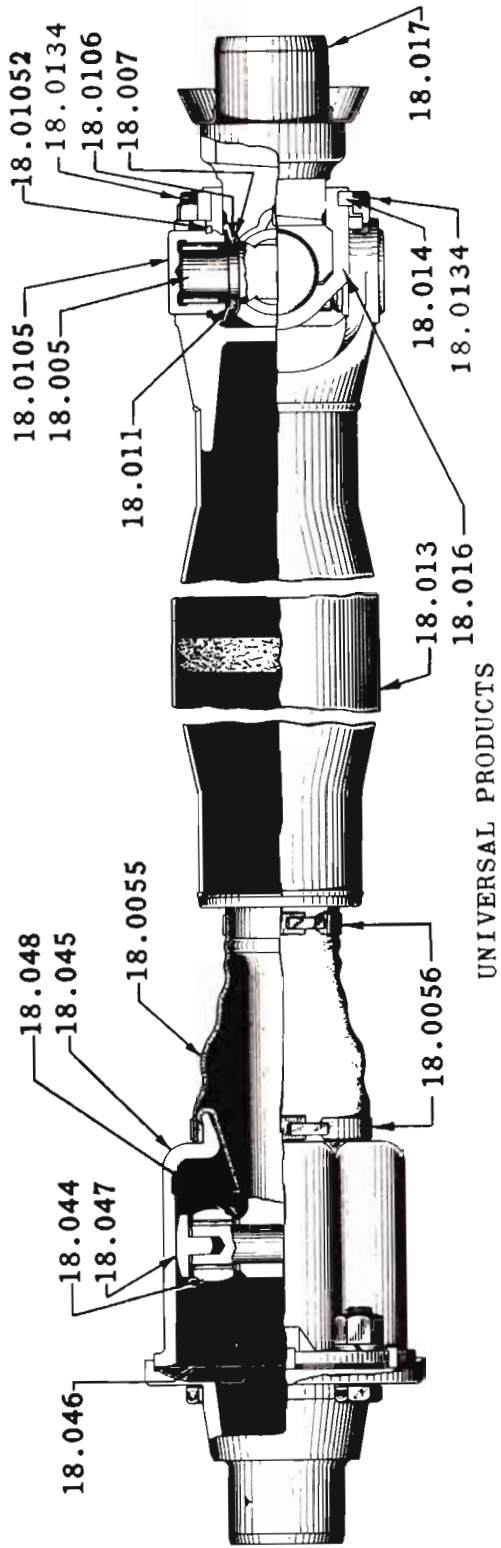
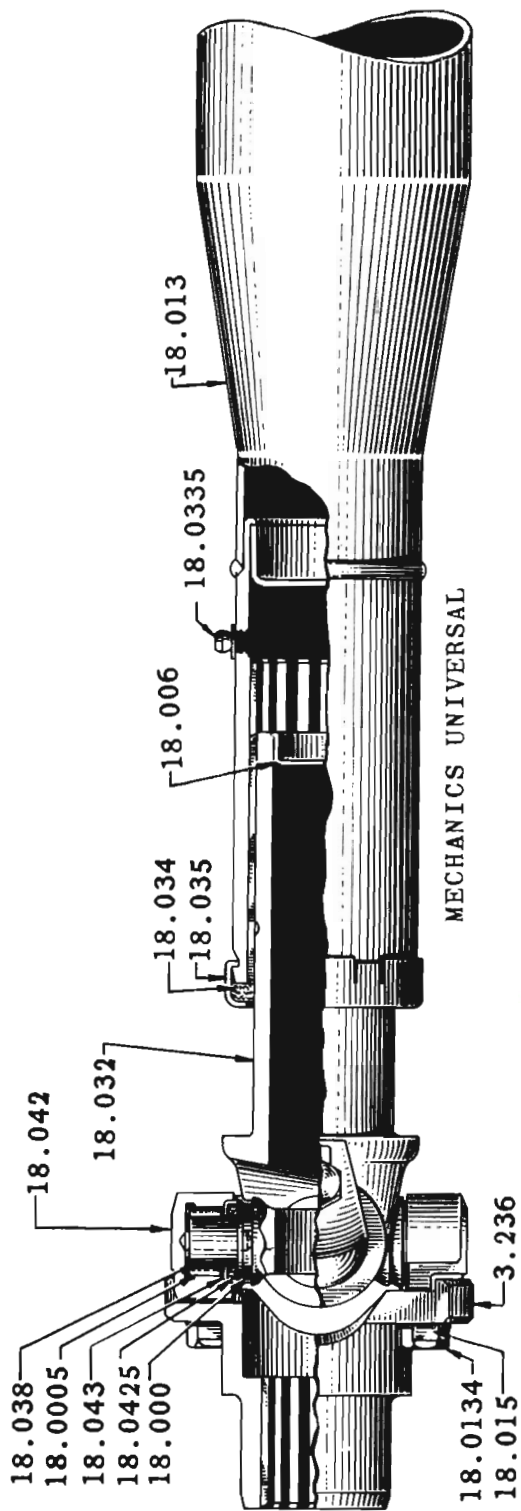
INDEX NO.	PART NO.	DESCRIPTION AND MODELS	PER CAR
UNIVERSAL JOINT AND PROPELLER SHAFT			
18.000	SHIELD, Bearing dust		
	303409	1951-2000-1-1A-3-3A-4-5-6-7-8-10-11-21-3-55	8
18.0005	ROLLER, Bearing		
	304561	1951-2000-1-1A-3-3A-4-5-6-7-8-10-11-21-3-55	144
18.0045	WASHER, Cork		
	303407	2000-1-1A-3-3A-4-5-6-7-8-10-11-21-3-55	8
18.005	CROSS ASSEMBLY, Universal joint		
	□327602	2000-1-10-11-20	1
18.0055	COVER, Dust		
	□364673	2000-1-10-11-20	1
18.0056	CLAMP, Dust cover		
	□364676	Large 2000-1-10-11-20	1
	□364675	Small 2000-1-10-11-20	1
18.006	CUP, Dust		
	338354	2001A-3A-4-5-7-8-21-3-55	1
18.007	EXCLUDER, Dust		
	□327603	2000-1-10-11-20	4
18.0105	ROLLER BEARING ASSEMBLY, Universal joint		
	□225555	2000-1-10-11-20	4
18.01052	RETAINER, Universal joint roller bearing		
	364862	1951	8
18.0107	CORK, Roller bushing		
	□327606	2000-1-10-11-20	4
18.0108	RETAINER, Roller bearing		
	364862	2000-1-1A-3-3A-4-5-6-7-8-10-11-21-3-55	8
18.011	RETAINER, Roller bushing cork		
	□327698	(With loop) 2000-1-10-11-20	2
	□225557	(Without loop) 2000-1-10-11-20	2
18.012	RETAINER, Roller		
	225565	2020	4
18.013	SHAFT ASSEMBLY, Universal joint		
	378322	2000-1-10-11	1
	□#378323	2000-1-10-11	1
	□#371364	2000-1-10-11	1
	333329	(Front) 2001A	1
	#333783	(Front) 2001A	1
	371363	1951-2003-6	1
	#371365	1951-2003-6	1
	335293	(Front) 2003A	1
	#335295	(Front) 2003A	1
	364455	(Rear) 2001A-3A	1
	341680	(Front) 2004-7	1
	#364453	2004-7	1
	364452	(Rear) 2004-7	1
	335286	(Front) 2005-8-55	1
	#335288	(Front) 2005-8-55	1
	364454	(Rear) 2005-8-55	1
	355752	2020	1
	#355785	2020	1
	364450	2021-3	1
	#364451	2021-3	1
	364610	2030	1
18.0134	BOLT, Universal joint shaft assembly		
	□316293	(50.003) (5/16-24 x 3/4) 1951-2000-1-1A-3-3A-4-5-6-7-8-10-11-21-3-55	x
	□364877	(50.003) (Front) (3/8-24 x 1-1/16) 2000-1-10-11-20	4

INDEX NO.	PART NO.	DESCRIPTION AND MODELS	PER CAR
UNIVERSAL JOINT AND PROPELLER SHAFT—Continued			
18.0134	BOLT, Universal joint shaft assembly (Cont'd)		
	□326881	(50.003) (Rear) (5/16-24 x 2-15/32) 2000-1-10-11-20	2
	□	5506 (50.220) Lockwasher 3/8 2000-1-10-11-20 ..	4
	□	7005 (50.100) Nut 5/16-24 2000-1-10-11-20	2
	□	7585 (50.100) Nut 3/8-24 2000-1-10-11-20	4
18.0135	SHAFT, Universal joint		
	378833	2000-1-10-11	1
	□#378832	2000-1-10-11	1
	□#379500	2000-1-10-11	1
	#351809	2001A	1
	377479	1951-2003-6	1
	#378704	2003-6	1
	#351810	2003A	1
	#364857	2004-7	1
	#351808	2005-8	1
	364666	2020	1
	#364667	2020	1
	364856	2021-3	1
	367510	2030	1
	338656	Front 2001A	1
	338659	Front 2003A	1
	351156	Front 2004-7	1
	351807	Front 2005-8	1
	364858	Rear 2001A-3A	1
	364860	Rear 2004-7	1
	364861	Rear 2005-8	1
18.014	LOCK, Shaft assembly bolt		
	□326876	(Under bolt head) 2000-1-10-11-20	2
	□326877	(Under bolt nut) 2000-1-10-11-20	2
18.015	PLATE, Shaft assembly bolt lock		
	302877	1951-20th Sr.....	x
18.016	CLAMP, Shaft bushing to flange		
	□327517	2000-1-10-11-20	2
18.017	FLANGE, Shaft		
	302868	2001A-3A-4-5-7-8-55	1
	311935	Nut 2003A-4-5-7-8-55	1
	300910	Washer 2001A-3A-4-5-7-8-55	1
18.0255	BEARING, Shaft trunnion		
	323068	2001A-3A-4-5-7-8-55	1
18.026	BRACKET, Shaft trunnion bearing		
	327691	2001A-3A-5-8-55	1
	341708	2004-7	1
	6844	Bolt 5/16-24	4
	327737	Bolt Shim	x
	4280	(50.240) Cotter pin 1/16 x 1/2	4
	7105	(50.110) Nut 5/16-24	4
	3909	Washer 5/16	4
18.027	INSULATOR, Shaft trunnion bearing bracket (to x member)		
	327699	2001A-3A-4-5-7-8-55	4
	327700	Washer	4
18.028	SPACER, Shaft trunnion bearing bracket to x member insulator		
	338264	2001A-3A-4-5-7-8-55	4
18.029	DUST SHIELD, Shaft trunnion bearing		
	323070	(Front) 2001A-3A-4-5-7-8-55	1
	323071	(Rear) 2001A-3A-4-5-7-8-55	1
18.030	RETAINER, Shaft trunnion bearing		
	323069	2001A-3A-4-5-7-8-55	1
18.031	SUPPORT, Shaft trunnion bearing		
	323072	2001A-3A-4-5-7-8-55	1
	5505	(50.220) Lockwasher 5/16	4
	7005	(50.100) Nut 5/16-24	4
	5575	(50.003) Screw 5/16-24	4

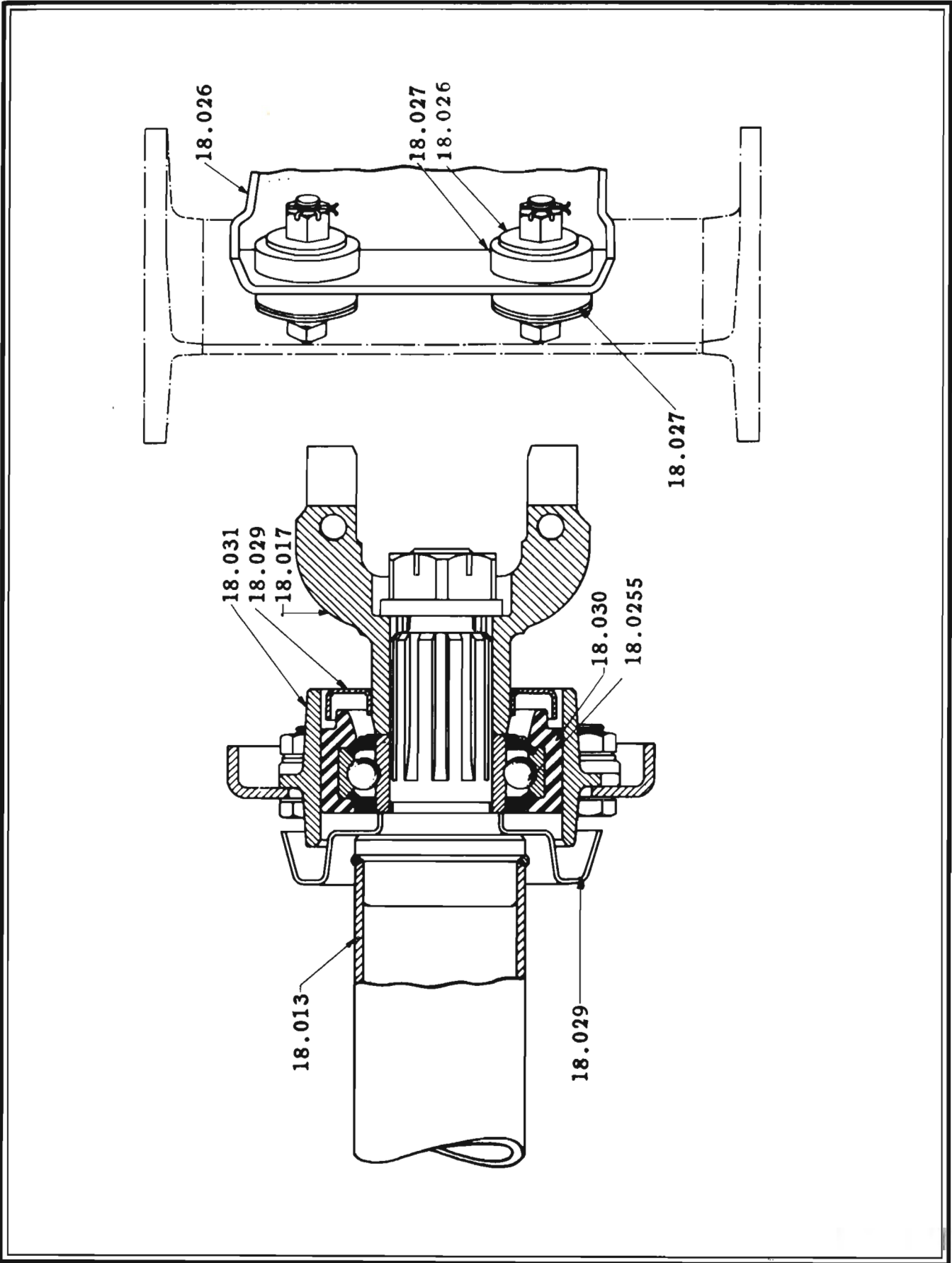
• Two types of Universal Joint Shafts were used on Models 2000-1-10-11 equipped with Econo Drive. (See Universal Joint Shaft Assembly Illustration) Use with "Mechanics Universal" type.
 □ Use with "Universal Products" type.



UNIVERSAL JOINT ASSEMBLY (CLIPPER TYPE)



UNIVERSAL JOINT SHAFT ASSEMBLY



UNIVERSAL INTERMEDIATE JOINT (DOUBLE)

18.032 - 19.014 UNIVERSAL JOINT PROPELLER SHAFT AND WHEELS

INDEX NO.	PART NO.	DESCRIPTION AND MODELS	PER CAR	INDEX NO.	PART NO.	DESCRIPTION AND MODELS	PER CAR
UNIVERSAL JOINT AND PROPELLER SHAFT—Continued				WHEELS AND TIRE COVERS			
18.032	YOKE, Universal joint slip 364855 2001A-3A-4-5-7-8-21-3-55	1	19.000	WHEEL ASSEMBLY			
18.0335	OILER, Slip yoke 338362 2001A-3A-4-5-7-8-21-3-55	1	362488	(15 x 5.00) 1951-2000-1-10-11-20-1	5		
18.034	PACKING, Slip yoke (felt) 338355 2001A-3A-4-5-7-8-21-3-55	1	338700	(16 x 5.00) 2001A-4-5-7-8-55	5		
18.035	RETAINER, Slip yoke packing 338356 2001A-3A-4-5-7-8-21-3-55	1	338700	(Side carrier) (16 x 5.00) 2001A	1		
18.038	SPIDER, Universal joint 303405 1951-2000-1-1A-3-3A-4-5-6-7-8-10-11-21-3-55	2	341770	(16 x 5.50) 2001A-3A Amb. & Bus.	5		
18.041	LIMK, Universal joint tie 0327613 2000-1-10-11-20	1	367820	(15 x 5.50) 2003-6-23	5		
18.042	BEARING ASSEMBLY, Universal joint trunnion 364854 1951-2000-1-1A-3-3A-4-5-6-7-8-10-11-21-3-55	8	234526	(16 x 5.00) 2003A	5		
18.043	RETAINER, Trunnion Washer 304562 1951-2000-1-1A-3-3A-4-5-6-7-8-10-11-21-3-55	8	364807	Front (16 x 8.25) 2003 A.B.	2		
18.044	BALL & ROLLER ASSEMBLY, Trunnion 0364670 2000-1-10-11-20	2	364808	Rear (15 x 9.00) 2003 A.B.	2		
18.045	BODY, Trunnion 0364668 2000-1-10-11-20	1	234526	(Side Carrier) (16 x 5.00) 2003A	1		
18.046	GASKET, Trunnion body 0364672 2000-1-10-11-20	1	338700	(Side carrier) (16 x 5.00) 2004-5-7-8-55	1		
18.0465	PIN, Trunnion body 0364669 2000-1-10-11-20	2	362488	(Side carrier) (15 x 5.00) 2021	1		
18.047	BUTTON & SPRING, Trunnion centering 0364671 2000-1-10-11-20	2	367820	(Side carrier) (15 x 5.50) 2023	1		
18.048	THRUST WASHER, Trunnion 0364674 2000-1-10-11-20	2	338811	Bolts 1951-20th Sr.	20		
			19.001	CAP, Hub (front)			
			334977	Front (2000-1-10-11)	2		
			333728	Front 1951-2001A-3-4-5-6-7-8-20-1-3-55	2		
			231217	2001A Amb.	2		
			231217	Front 2003A	2		
			19.0015	SEAL ASSEMBLY, Hub (front) oil			
			329536	2000-1-10-11	2		
			316756	1951-2001A-3-4-5-6-7-8-20-1-3-55	2		
			237476	2003A	2		
			19.002	COVER, Hub shell			
			362089	(Spare wheel) 20th Sr.	1		
			377837	(Chrome) (Red hex. only) 2000-1	4		
			379587	(Chrome) (Red hex. & word PACKARD) 2000-1	4		
			▲379891	(Prime) (10" O.D.) 2000-1	4		
			▲379890	(Prime) (13" O.D.) 2000-1-10-11	4		
			377843	(Red hex. only) 2001A-3A	4		
			379592	(Red hex. & word PACKARD) 2001A-3A Amb.	4		
			379592	(Red hex. & word PACKARD) (On 2001A use only with 16 x 5.00 wheel) 2001A-3A-55	4		
			373597	(Red hex. & word PACKARD) (Use only with 16 x 5.50 wheel) 2001A	4		
			377833	(Chrome) (Red hex. only) 2003-23	4		
			377836	(Chrome) (Includes emblem) 2003-6-23	4		
			382302	(Prime) (Includes emblem) 2003-6	4		
			377847	(Includes emblem) 2004-5-7-8	4		
			377834	(Chrome) (Red hex. only) 2010-11	4		
			379592	(Chrome) (Red hex. & word PACKARD) 2010-11-20-21	4		
			379339	(Red hex. only) 2020-21	4		
			373597	(Red hex. & word PACKARD) 1951-2030	4		
			362089	(Spare) 1951-2000-1-3-4-5-6-7-8	1		
			19.003	CLIP, Hub shell cover			
			348552	1951-2000-1-1A-3-4-5-6-7-8-10-11-20-1-3-55	20		
			239476	2003A	20		
			19.0035	EMBLEM, Hub shell cover			
			377859	(Chrome & Enamel) 2003-4-5-6-7-8-23	4		
			▲379888	(Silver & Enamel) 2003-6	4		
			5502	(50.220) Lockwasher 1/4	8		
			7335	(50.100) Nut 1/4-20	8		
			19.006	COVER ASSEMBLY, Wheel tire			
			358466	Right LHD 2001A-3A	1		
			358466	Right 2004-5-7-8-23-55	1		
			358600	Right 2021	1		
			358465	Left LHD 2001A-3A	1		
			358465	Left 2004-5-7-8-23-55	1		
			358599	Left 2021	1		
			358466	Right RHD 2001A-3A	1		
			358465	Left RHD 2001A-3A	1		
			19.014	EDGING, Tire cover inner - (rubber)			
			351664	2001A-3A	3		
			351664	2004-5-7-8-21-3-55	6		
			335106	Rivet 2001A-3A	6		
			335106	Rivet 2004-5-7-8-21-3-55	12		

▲ Used on Clipper Four Door Sedans built after Jan. 1, 1942 only. All other body types have chrome trim.
 □ Use with "Universal Products" type.

WHEELS

19.026 - 19.122

INDEX NO.	PART NO.	DESCRIPTION AND MODELS	PER CAR	INDEX NO.	PART NO.	DESCRIPTION AND MODELS	PER CAR
WHEELS AND TIRE COVERS—Continued				WHEEL SIDE CARRIER—Continued			
19.026	MOULDING, Tire cover			19.118	PIN, Lock rod bracket pivot		
	351601 2001A-3A		1		303173 2001A-3A		1
	351601 2004-5-7-8-21-3-55		2		303173 2004-5-7-8-21-3-55		2
	351665 Rivet 2001A-3A		3		207750 Spring Washer		x
	351665 Rivet 2004-5-7-8-21-3-55		6	19.1193	BRACE & BRACKET ASSEMBLY, Wheel carrier (side) Wheel		
19.038	TURNBUCKLE & BAR ASSEMBLY, Tire cover				354062 2001A-3A		1
	354034 2001A-3A		1		354062 2004-5-7-8-21-3-55		2
	354034 2004-5-7-8-21-3-55		2	19.1195	BRACE, Wheel carrier (side) wheel		
19.039	WASHER, Tire cover (felt)				354033 2001A-3A		1
	351603 2001A-3A		3		354033 2004-5-7-8-21-3-55		2
	351603 2004-5-7-8-21-3-55		6	19.120	BRACKET, Wheel carrier (side) wheel brace		
	351729 Rivet 2001A-3A		3		351797 2001A-3A		1
	351729 Rivet 2004-5-7-8-21-3-55		6		351797 2004-5-7-8-21-3-55		2
19.041	TRIM RING, Wheel			19.121	PIN, Wheel brace bracket pivot		
	362816 1951		5		303173 2001A-3A		1
	231391 2001A-3A-4-5-7-8-55		5		303173 2004-5-7-8-21-3-55		2
	231391 (Side carrier) 2001A-3A-4-5-7-8-55		1	19.122	SOCKET, Wheel brace		
	377526 2003-6-23		5		354027 2001A-3A		1
WHEEL SIDE CARRIER					354027 2004-5-7-8-21-3-55		2
19.105	BRACKET, Wheel carrier (side) to dash				7007 (50.100) Nut 7/16-20		x
	351761 2001A-3A		1				
	351761 2004-5-7-8-21-3-55		2				
	7160 (50.120) Locknut 1/2-20 2001A-3A		1				
19.106	ROD, Wheel carrier (side) to dash brace						
	351760 Right (LHD) 2001A-3A		1				
	351760 Right 2004-5-7-8-21-3-55		1				
	351759 Left (LHD) 2001A-3A		1				
	351759 Left 2004-5-7-8-21-3-55		1				
	351760 Right (RHD) 2001A-3A		1				
	351759 Left (RHD) 2001A-3A		1				
	7160 (50.120) Locknut 1/2-20 2001A-3A		3				
	7160 (50.120) Locknut 1/2-20 2004-5-7-8-21-3-55		6				
	316934 (50.200) Washer		2				
19.107	BRACKET, Wheel carrier (side) to frame support						
	330423 2001A-3A		1				
	330423 2004-5-7-8-21-3-55		2				
	5506 (50.220) Lockwasher 3/8		x				
	7706 (50.100) Nut 3/8-24		x				
	7388 (50.003) Screw 3/8-24 x 1		x				
	3877 (50.200) Washer 3/8		x				
19.108	LOCK, Wheel carrier (side) (with key)						
	316398 2001A-3A		1				
	316398 2004-5-7-8-21-3-55		2				
19.112	CYLINDER, Lock						
	303623 2001A-3A		1				
	303623 2004-5-7-8-21-3-55		2				
19.113	PLATE, Lock						
	316340 2001A-3A		1				
	316340 2004-5-7-8-21-3-55		2				
19.115	ROD & BRACKET ASSEMBLY, Lock						
	354031 2001A-3A		1				
	354031 2004-5-7-8-21-3-55		2				
	5504 (50.220) Lockwasher 5/16		x				
	7284 (50.003) Screw 5/16-18 x 9/16		x				
19.116	ROD, Lock						
	354030 2001A-3A		1				
	354030 2004-5-7-8-21-3-55		2				
19.117	BRACKET, Lock rod						
	240590 2001A-3A		1				
	240590 2004-5-7-8-21-3-55		2				

BODY GROUP CODE

<p>30.000 BODY EQUIPMENT</p> <p>30.000 Arm Rest 30.005 Arm Sling 30.007 Ash Tray 30.013 Clock 30.014 Foot Rest 30.022 Rear View Mirror 30.024 Robe Rail 30.030 Sun Visor 30.034 Toggle Grip 30.037 Vanity Cabinet</p> <p>30.100 BODY HOLD DOWN BOLTS</p> <p>30.150 TRUNK</p> <p>30.200 COWL</p> <p>30.300 DOORS</p> <p>31.243 Front - Untrimmed 30.301 Front - Parts 30.350 Front - Window 30.401 Front - Window Wing 31.245 Rear - Untrimmed 30.438 Rear - Parts 30.476 Rear - Window</p> <p>30.600 ELECTRICAL</p> <p>30.600 Cables 30.604 Cigar Lighter 30.61125 Courtesy Light 30.612 Dictograph 30.622 Dome & Reading Light 30.634 License Lamp 30.6595 Partition Light 30.660 Quarter Light 30.667 Trunk Compartment Light 30.6675 Vanity Cabinet Light 30.680 Window Regulator 30.700 Windshield Wiper</p> <p>30.800 FLOOR</p> <p>30.825 INSULATION</p> <p>30.850 PARTITION</p> <p>30.875 ROOF</p> <p>30.880 SEAT</p> <p>30.880 Folding 30.900 Front 30.940 Rear</p>	<p>30.9805 TAILGATE</p> <p>31.000 TOP</p> <p>31.225 VENTILATOR</p> <p>31.240 WELDED ASSEMBLIES</p> <p>31.280 QUARTER WINDOW</p> <p>31.305 QUARTER WINDOW WING</p> <p>31.350 WINDOW REAR</p> <p>31.390 WINDSHIELD</p> <p>31.410 TRIM (upholstery)</p> <p>31.410 Arm rest 31.413 Body rear hinge pillar 31.414 Center trim pillar 31.417 Carpet & Mats 31.435 Door Trim Front 31.438 Door Trim Rear 31.441 Folding Top 31.446 Folding Seat Trim 31.452 Front Seat Trim 31.456 Hassock 31.458 Headlining 31.459 Kick Pads 31.4609 Rear Compartment 31.461 Rear Seat Trim 31.465 Trim Bulk Stock</p>
--	--

BODY GROUPS	INDEX
BODY EQUIPMENT	30.000
BODY HOLD DOWN BOLTS	30.100
COWL	30.200
DOORS	30.300
ELECTRICAL	30.600
FLOOR	30.800
INSULATION	30.825
PARTITION	30.850
ROOF	30.875
SEAT	30.880
TOP	31.000
TRUNK	31.150
VENTILATOR	31.225
WELDED ASSEMBLY	31.240
WINDOW, QUARTER	31.280
WINDOW WING QUARTER	31.305
WINDOW, REAR	31.350
WINDSHIELD	31.390
TRIM	31.410
NUMERICAL INDEX	

BODY PARTS

MAJOR AND SUB GROUPS	INDEX NO.	MAJOR AND SUB GROUPS	INDEX NO.
BODY EQUIPMENT		FLOOR	30.800
Arm Rest	30.000	INSULATION	30.825
Arm Sling	30.005	PARTITION	30.849
Ash Tray	30.007	ROOF	30.8751
Clock	30.013	SEAT	
Foot Rest	30.014	Folding	30.880
Rear View Mirror	30.022	Front	30.900
Robe Rail	30.024	Rear	30.940
Sun Visor	30.030	TOP	31.000
Toggle Grip	30.034	TRUNK	31.1505
Vanity Cabinet	30.037	VENTILATOR	31.225
BODY HOLD DOWN BOLTS	30.100	WELDED ASSEMBLIES	31.240
COWL	30.200	WINDOW-QUARTER	31.280
DOORS		WINDOW WING-QUARTER	31.305
Front-Parts	30.301	WINDOW-REAR	31.353
Front-Window	30.352	WINDSHIELD	31.3905
Front-Window Wing	30.401	TRIM (UPHOLSTERY)	
Rear-Parts	30.438	Arm Rest	31.410
Rear-Window	30.479	Body Rear Hinge Pillar	31.413
Rear-Window Wing	30.550	Center Pillar Trim	31.414
ELECTRICAL		Carpet and Mats	31.417
Cables	30.600	Door Trim-Front	31.435
Cigar Lighter	30.604	Door Trim-Rear	31.438
Courtesy Light	30.61125	Folding Top	31.441
Dictograph	30.612	Folding Seat	31.446
Dome Light	30.622	Front Seat	31.452
License Lamp	30.634	Hassock	31.456
Partition Light	30.6595	Headlining	31.458
Quarter Light	30.660	Kick Pads	31.459
Trunk Compartment Light	30.667	Rear Compartment	31.4609
Vanity Cabinet Light	30.6675	Rear Seat	31.461
Window Regulator	30.680	Trim Bulk Stock	31.465
Windshield Wiper	30.7015		

PACKARD CLIPPER - 1951 SERIES PAINT AND TRIM REFERENCE CHART - SERVICE ORDERING NUMBERS

PAINT SCHEME	PAINT CODE NUMBER	STRIPES CODE NUMBER	TRIM SET NO.	TRIM PART NO.	DESCRIPTION
A	L-210 Puritan Gray Metallic	L-216-S Silver French Gray	9	370883	Gray Stripe Broadcloth
B	L-139 Packard Blue	L-507-S Flake White	9	370883	Gray Stripe Broadcloth
D	L-211 Grove Green Metallic	L-213-S Chickory Green	5	370868	Tan Stripe Broadcloth
E	L-199 Laguna Maroon Metallic	L-502-S Gold Bronze	5	370868	Tan Stripe Broadcloth
J	L-213 Chickory Green Metallic	L-211-S Grove Green	5	370868	Tan Stripe Broadcloth
K	L-214 Andes Tan Metallic	L-217-S Wilshire Brown	5	370868	Tan Stripe Broadcloth
L	L-215 Barola Blue Metallic	L-216-S Silver French Gray	9	370883	Gray Stripe Broadcloth
S	L-216 Silver French Gray Metallic	L-210-S Puritan Gray	9	370883	Gray Stripe Broadcloth
T	L-223 Saratoga Beige Metallic L-221 Cinnabar Red Light (Wheels)	L-223-S Saratoga Beige	5	370868	Tan Stripe Broadcloth
W	L-217 Wilshire Brown Metallic	L-214-S Andes Tan	5	370868	Tan Stripe Broadcloth
X	L-105 Black	L-507-S Flake White	5	370868	Tan Stripe Broadcloth
BC	Upper L-210 Puritan Gray Metallic Lower L-216 Silver French Gray Metallic	L-210-S Puritan Gray	9	370883	Gray Stripe Broadcloth
BF	Upper L-227 Legion Blue Metallic Lower L-226 Algiers Blue Metallic	L-227-S Legion Blue	9	370883	Gray Stripe Broadcloth
BG	Upper L-199 Laguna Maroon Metallic Lower L-225 Fiare Taupe Metallic	L-199-S Laguna Maroon	5	370868	Tan Stripe Broadcloth
BH	Upper L-219 Blue Gray Lower L-218 Moth Gray	L-219-S Blue Gray	9	370883	Gray Stripe Broadcloth
BM	Upper L-217 Wilshire Brown Metallic Lower L-214 Andes Tan Metallic	L-217-S Wilshire Brown	5	370868	Tan Stripe Broadcloth
BP	Upper L-211 Grove Green Metallic Lower L-213 Chickory Green Metallic	L-211-S Grove Green	5	370868	Tan Stripe Broadcloth

Note: Single paint scheme letter indicates entire car is painted in one color, including wheels. Double paint scheme letter indicates car is painted in two colors.

BODY IDENTIFICATION CHART FOR YEAR 1942 AND 1951 CLIPPER SERIES

MOTOR NUMBER IS STAMPED ON CRANKCASE - LEFT SIDE - UPPER CENTER.

BODY TYPE NUMBER IS STAMPED ON VEHICLE NUMBER PLATE ATTACHED TO COWL DIRECTLY UNDER BONNET.

CLIPPER - SERIES 1951 - BODY TYPE 1401 - 5 PASS. 4-DOOR SEDAN MOTOR NO. D400001 - D416680

SPEC	110 SIX MOTOR NO. E-1501 Up		120 EIGHT MOTOR NO. E-300001 Up				160 SUPER EIGHT MOTOR NO. E-500001 Up					180 SUPER EIGHT MOTOR NO. CE-500001 Up			BODY TYPE				
	CUST	TAXI	CUST	SPEC	CUST	2001A	2021	CUST	2003	2023	2003A	2004	2005	2055		2006	2007	2008	PASS
2000	2010	2030	2020	2001	2011	2001A	2021		2003	2023	2003A	2004	2005	2055	2006	2007	2008	6	Sedan
1582	1502			1592	1512			1572				1562			1522			6	Sedan
		1584														1542		6	Sedan
1586	1505			1595	1515			1575							1525			6	Taxicab N.Y.
1588				1598														6	Club-Sedan
			1589				1599		1579									3	Business Cpe
																		2-4	Conv. Coupe
																1532		5	Formal Sedan
													1571	1591			1551	7	Sedan
													1570	1590			1550	7	Limousine
					*						*								Hearse Chassis
					*						*								Ambulance Chassis

20TH SERIES PAINT AND TRIM REFERENCE CHART

(See Trade Letter No. T-3125, Dealers' TL-326 For Defense Paint Schemes)

Paint Scheme	Paint Code Number	Stripe Code Number	TRIM SET NUMBER							
			2000 2001	2003	2004 2005	2006 2007-8	2010-1	2055		
A	L-210 Puritan Gray Metallic	L-216-S Silver French Gray	*35	76	98	144	45	55		
B	L-139 Packard Blue	L-507-S Flake White	*35	76	98	144	45	55		
C	L-210 Puritan Gray Metallic (Upper) L-216 Silver French Gray (Lower)	L-210-S Puritan Gray	*35	76	98	745	45	55		
D	L-211 Grove Green Metallic	L-213-S Chickory Green	**35	73	73	361	45	55		
E	L-228 Cavalier Maroon Metallic	L-502-S Gold Bronze	**35	75	75	719	45	55		
F	L-227 Legion Blue Metallic (Upper) L-226 Algiers Blue Metallic (Lower)	L-227-S Legion Blue	*35	76	98	144	45	55		
J	L-213 Chickory Green Metallic	L-211-S Grove Green	**35	73	73	361	45	55		
K	L-214 Andes Tan Metallic	L-217-S Wilshire Brown	**35	75	75	719	45	55		
M	L-217 Wilshire Brown Metallic (Upper) L-214 Andes Tan Metallic (Lower)	L-217-S Wilshire Brown	**35	75	75	719	45	55		
P	L-211 Grove Green Metallic (Upper) L-213 Chickory Green Metallic (Lower)	L-211-S Grove Green	**35	73	73	361	45	55		
Q	L-229 Ruxton Brown Metallic (Upper) L-230 Doreen Yellow Metallic (Lower)	L-229-S Ruxton Brown	**35	75	75	719	45	55		
S	L-216 Silver French Gray Metallic	L-210-S Puritan Gray	*35	76	98	745	45	55		
T	L-231 Cadet Cream L-221 Cinnabar Red Light (Wheels)	L-231-S Cadet Cream	**35	73	73	361	45	55		
W	L-217 Wilshire Brown Metallic	L-214-S Andes Tan	**35	75	75	719	45	55		
X	L-105 Black	L-507-S Flake White	**35	73	73	361	45	55		
Y	L-232 Royal Crown Maroon Metallic	L-502-S Gold Bronze	**35	75	75	719	45	55		
Z	L-233 Sable Brown Metallic (Upper) L-234 Carlotta Brown Metallic (Lower)	L-233-S Sable Brown	**35	75	75	719	45	55		

NOTE: Wheel stripe applies to 110 Special and 120 Special only. On other models no stripe is to be applied to wheels.

* Some first production cars were trimmed in Set Numbers 19,32,46 or 48.

** Some first production cars were trimmed in Set Numbers 15,31 or 43.

20TH SERIES TRIM REFERENCE CHART

Model	Description	Set Number	Part Number
2000-1	Tan Stripe Broadcloth	*15	370868
	Gray Stripe Broadcloth	*19	370992
	Tan Stripe Broadcloth	*31	352440
	Blue Gray Stripe Broadcloth	*32	352440
	Blue Gray Broadcloth - Rust Striped	35	352440
	Tan Shadow Stripe Broadcloth	*43	352441
	Blue Gray Pattern Broadcloth	*46	352441
	Blue Gray Bedford Cord	*48	352441
2010-1-20-1	Gray and Tan Striped Broadcloth	45	352441
2003-4-5	Tan Pin Stripe Broadcloth	73	352442
	Plain Tan Broadcloth	75	352442
	Plain Gray Broadcloth	76	352442
	Gray Broadcloth - Blue Striped	98	352442
2055	Blue Gray Broadcloth - Neutral Striped	55	352441
2006-7-8	Blue Gray Stripe Broadcloth	144	339429
	Brown Stripe Broadcloth	161	339429
	Tan Pin Stripe Broadcloth	361	185211
	Brown and Tan Pattern Broadcloth	719	185211
	Blue Gray Broadcloth	745	185211
	Dark Green Leather (Genuine)	1	339391
	Brown Leather (Genuine)	2	339391
	Black Leather (Genuine)	3	156348
	Tan Leather (Genuine)	4	339391
	Gray Leather (Genuine)	5	339391
	Red Leather (Genuine)	6	339391
	Light Green Leather (Genuine)	7	339391
	Pigskin Leather (Genuine)	8	352804
	Blue Leather (Genuine)	9	339391
	Tan Conv. Top Material (Std.)	Hartz B-2	350375
	Black Conv. Top Material	Black	350378
	Blue Conv. Top Material	Blue	350374
	Gunpowder Conv. Top Material	Gunpowder	350374
	Red Conv. Top Material	Red	350374
	Sage Conv. Top Material	Sage	350374
	Walnut Conv. Top Material	Walnut	350374

*Used on first cars.

BODY ALPHABETICAL INDEX

ARMREST		DICTOGRAPH (CONT'D)		DOORS (CONT'D)	
Ash Receiver	30.009	Transmitter	30.614	Rear (Untrimmed)	31.245
Attaching Plate	30.001	Winder	30.616	Belt Moulding	30.438
Cushion	30.000	Bracket Assembly	30.618	Bumper	30.4380
Sponge Rubber	30.004	Cable Assy (To Ground)	30.620	Check Strap	30.440
Trimmed Assembly (Front)	31.410	DOVE LIGHT ASSEMBLY	30.622	Striker	30.445
Cover	31.411	Bulb	30.6220	Hinge Assy. (Upper) ...	30.446
Trimmed Assembly (Rear) ..	31.412	Cable Assembly (To Ground) ..	30.624	Hinge Assy. (Lower) ...	30.447
ARM SLING	30.005	Glass and Rim	30.623	Pin	30.448
Bracket	30.0061	Reflector	30.625	Lock	30.449
ASH TRAY ASSEMBLY	30.007	Switch	30.626	Handle	30.450
Ash Receiver	30.009	Cable Assembly	30.628	Cylinder Lock	30.451
Case	30.011	Plate	30.629	Locking Rod	30.453
BODY EQUIPMENT		DOORS		Remote Control Assy. ..	30.456
Arm Rest		Front (untrimmed)	31.243	Handle	30.457
Ash Receiver	30.009	Belt Moulding	30.301	Escutcheon Plate ..	30.459
Attaching Plate	30.001	Bumper	30.3010	Striker & Dovetail	
Cushion	30.000	Check Strap	30.304	Assembly	30.465
Sponge Rubber	30.004	Dove Tail (Male)	30.305	Striker	30.466
Trimmed Assembly (Front) ..	31.410	Dove Tail (Female) ...	30.306	Trim (See Trim Group) ..	
Cover	31.411	Striker	30.308	Trim Panel Moulding ...	31.4390
Trimmed Assembly (Rear) ..	31.412	Hinge Assembly (Upper) ..	30.310	Weatherstrip	30.469
Arm Sling	30.005	Hinge Assembly (Lower) ..	30.311	Window	
Ash Tray Assembly	30.007	Pin	30.312	Dust Seal	30.479
Ash Receiver	30.009	Lock Equipment	30.3185	Finishing Moulding Rt.	30.480
Case	30.011	Lock	30.319	Finishing Moulding Lt.	30.481
Clock (Partition)	30.013	Cylinder Lock	30.320	Glass	30.489
Courtesy Light	30.61125	Handle Right	30.326	Glass and Frame Assy. .	30.492
Bulb	30.6114	Handle Left	30.327	Glass and Lifter Assy. .	30.495
Switch	30.6118	Remote Control Assy. .	30.331	Lifter Assembly	30.500
Foot Rest Assembly	30.014	Handle	30.332	Regulator Assembly ..	30.502
Bar	30.015	Escutcheon Plate	30.334	Arm Roller Guide Assy.	30.5027
Support	30.017	Striker & Dove Tail		Arm Pivot Bracket ..	30.5025
Bracket	30.018	Assembly	30.340	Cylinder Assembly ..	30.5032
Rear View Mirror Assembly	30.022	Striker	30.341	Handle	30.504
Robe Rail Assembly	30.024	Trim (See Trim Group)		Escutcheon Plate ..	30.5055
Bracket	30.025	Trim Panel Moulding	31.4365	Reveal Finishing Rim ..	30.508
Cord	30.026	Weatherstrip	30.344	Runway Assembly	30.509
Escutcheon	30.0275	Window		Retainer	30.510
Sun Visor	30.030	Dust Seal	30.352	Wing Assembly	30.550
Compression Spring	30.033	Finishing Moulding Rt. .	30.356	Draft Deflector	30.5505
Toggle Grip Assembly	30.034	Finishing Moulding Lt. .	30.357	Glass	30.551
Vanity Cabinet	30.037	Attaching Parts	30.3570	Cushion	30.552
Bottle	30.038	Glass	30.366	Retainer	30.5525
Memorandum Book	30.039	Frame	30.370	Lock Handle	30.5527
Pencil	30.040	Glass and Frame Assy. .	30.371	Shaft	30.5528
BODY PANELS (See Welded		Glass and Lifter Assy. .	30.375	Pivot (Lower)	30.553
Assembly)		Header Weatherstrip. .	30.380	Weatherstrip	30.560
CARPETS (Fabric)		Retainer	30.381	Weatherstrip	
Floor Front	31.417	Lifter Assembly Right ..	30.382	(Division)	30.5503
Floor Rear	31.418	Lifter Assembly Left ..	30.383	DOOR TRIM	
Floor Rear & Front Seat		Carriage Assembly. .	30.384	Front	
Side Sills	31.421	Glass Cushion		Panel Assembly (Right) .	31.435
Floor Rear Center &		(Everseal)	30.3845	Panel Assembly (Left) .	31.436
Folding Seat Floor &		Regulator Assembly .	30.386	Rear	
Side Sills	31.419	Arm Roller Guide .	30.3865	Panel Assembly (Right) .	31.438
Floor Rear Compartment. .	31.420	Arm Stop Bracket .	30.387	Panel Assembly (Left) .	31.439
Front Seat Side Sill ..	31.425	Cylinder Assembly. .	30.3872	Moulding	31.4390
Trunk Compartment	31.427	Handle	30.388	ELECTRICAL	
CIGAR LIGHTER		Escutcheon Plate. .	30.390	Cable Assembly (Body Feed)	30.600
Base	30.604	Roller Guide	30.394	Terminal	30.6003
Cable Assembly (To body		Reveal Finishing Rim	30.395	Insulator	30.6004
feed cable extension) ..	30.609	Runway Assembly	30.396	Wiring Set	30.601
Cable Assembly (To		Retainer	30.398	Cigar Lighter	
ground)	30.610	Weatherstrip (To		Base	30.604
Knob and Tip	30.605	Folding Pillar) .	30.354	Cable Assembly (To Body	
Tip	30.608	Window Wing Assembly .	30.401	Feed Cable Extension)	30.609
CLOCK		Glass	30.404	Cable Assy. (To Ground)	30.610
Partition Header	30.013	Retainer and Pivot	30.408	Knob and Tip	30.605
COURTESY LIGHT	30.61125	Glass and Retainer Assy.	30.407	Tip	30.608
Bulb	30.6114	Locking Bracket	30.409	Courtesy Light	30.61125
Switch	30.6118	Locking Handle	30.410	Bulb	30.6114
COWL		Pivot	30.413	Switch	30.6118
Lace (To Bonnet)	30.201	Bracket	30.416	Dictograph	
Moulding (Belt)	30.200	Regulator Assembly .	30.418	Receiver	30.612
Seal (To Bonnet)(Rubber). .	30.2015	Handle	30.419	Attaching Bracket ...	30.613
DICTOGRAPH		Escutcheon Plate ..	30.4205	Transmitter	30.614
Receiver	30.612	Water Reflector	30.431	Winder	30.616
Attaching Bracket	30.613	Weatherstrip	30.433	Bracket Assembly	30.618
		Retainer	30.434		

BODY ALPHABETICAL INDEX

ELECTRICAL (CONT'D)

Cably Assy (To Ground)	30.620
Dome Light Assembly	30.622
Bulb	30.6220
Cable Assy (To Ground)	30.624
Glass and Rim	30.623
Reflector	30.625
Switch	30.626
Cable Assembly	30.628
Plate	30.629
License Lamp Assembly	30.634
Bulb	30.636
Socket and Cable Assy.	30.642
Socket Assembly	30.643
Support (Holder)	30.6395
Cable Assembly	30.649
Gasket (To Body)	30.635
Glass	30.650
Gasket	30.651
Retainer	30.652
Tag Bracket	30.657
Tag Bracket Lower and Bracket Plate Assembly	30.658
Quarter Light	30.660
Bulb	30.6600
Cable Assembly	30.661
Glass and Rim	30.663
Reflector	30.664
Switch	30.665
Plate	30.666
Trunk Compartment Light Assembly	30.667
Bulb	30.6670
Vanity Cabinet	
Bulb	30.6675
Cable Assembly	30.668
Socket (Disconnecter Plug)	30.670
Window Regulator	
Cable Assembly	30.680
Conduit (Front Door to Front Frame Cable)	30.681
Motor and Pump Assembly	30.6811
Ground Strap	30.6813
Relay	30.6814
Support	30.6815
Solenoid	30.684
Clamp	30.6851
Solenoid and Anti- Rattler Assembly	30.685
Switch	30.688
Tank Assembly (Oil)	30.682
Cap (Filler)	30.683
Tube Assembly	30.6812
Wiring Harness Assembly	30.689
Circuit Breaker	30.6882
Clamp	30.6884
Screw (Contact)	30.6886
Windshield Wiper	
Blade (Wiper)	30.7085
Arm Assembly	30.709
Detail Parts (Stewart- Warner)	30.765
Motor Assembly	30.703
Switch	30.705
Knob	30.706
Tie Rod (Mounting To Dash)	30.7045
FLOOR	
Cover Assembly (Battery)	30.800
Pad	30.803
Cross Tube Assembly (Window Regulator)	30.818
Moulding (Side Sill)	30.8135
Panel (Side Sill)	30.814
Scuff Plate (Door)	30.806
Step Mat (Door)	30.8105

FOLDING SEAT

Bracket (Back)	30.880
Frame Assembly	30.885
Handle	30.886
Pad (Seat Cushion)	30.883
Support Assembly	30.893
Trimmed Assembly	31.446
Cover Assembly	31.449
FOLDING TOP ASSEMBLY (Less Fabric)	31.000
Bow	31.015
Weatherstrip Assy Front.	31.037
Bracket (Vacuum Control)	31.105
Bumper (Pillar)	31.056
Clamp Bracket (To W/S Clamp)	31.098
Cross Bar (Front)	31.038
Bracket (Side)	31.039
Pad	31.046
Cylinder Assembly (Vacuum)	31.107
Glass	31.061
Handle (W/S Header Clamp)	31.099
Hose (Vacuum Tube)	31.116
Knob (Vacuum Control)	31.106
Link (Top Balance)	31.009
Link (Control)	31.025
Pad (Pillar) (Lower)	31.035
Pillar Hinge Assembly	31.029
Bracket	31.032
Dovetail	31.033
Screw (Pivot)	31.031
Rail Assembly (Side)	31.074
Slat Iron	31.085
Bracket	31.013
Strap Assembly (Hold Down)	31.053
Loop (Footman)	31.054
Trimming	
Curtain Assembly (Rear)	31.444
Valance Assembly	31.445
Deck Assembly	31.441
Envelope Assembly	31.443
Bag Assembly	31.4435
Tube (Vacuum)(Control Valve to Chassis Manifold)	31.111
Valve Assembly (Vacuum Control)	31.104
Weatherstrip (Rear Window)	31.063
Weatherstrip (To W/S Header)	31.102
FOOT REST	
Assembly	30.014
Bar	30.015
Support	30.017
Bracket	30.018
Cushion	30.021
Screw	30.019
FRONT SEAT	
Back Spring	30.900
Cushion Spring	30.908
Hinge	30.913
Bracket	30.914
Pivot Screw	30.915
Operating Lever Relay	30.9273
Spring	30.9277
Mechanism	30.933
Connecting Shaft	30.935
Side Sill Carpet Assembly	31.425
Trim	
Back Trim Cover Assembly	31.455
Cushion (Trimmed) Assy	31.452
Trim Cover Assembly	31.453
Untrimmed Assembly	31.247
Back Assembly	31.2471
HASSOCK	
Assembly	31.456
Trim Cover Assembly	31.457
HEADLINING	
Assembly	31.458

INSULATION

Roof Bow	30.825
Battery Cover	30.831
Body Panel Anti-Rumble Compound	30.832
Dash Panel Pad	30.833
Floor Pan - Front	30.834
Floor Pan Filler	30.8365
Floor Pan Rear	30.836
Floor Rear Seat Pan	30.837
Floor Trunk Compartment Pan	30.841
Front Seat Track to Seat Frame Liner	30.8415
Jute Pad 36" wide	30.842
Roof	30.8426
Roof Panel Cement	30.845
Roof Panel Center	30.843
Roof Panel Side Quarter	30.844
Toe Board	30.846
KICK PADS	
Cowl Kick Pad Paperboard Assembly	31.460
Cowl Kick Pad Trimming Assy.	31.459
LICENSE LAMP	
Assembly	30.634
Gasket (To Body)	30.635
Body	30.636
Bulb	30.6370
Socket and Cable Assembly	30.642
Socket Assembly	30.643
Cable Assembly	30.649
Glass	30.650
Gasket	30.651
Retainer	30.652
Tag Bracket	30.657
Tag Bracket Lower and Bracket Plate Assembly	30.658
MAT RUBBER	
Floor Front	31.430
Floor Rear	31.431
PARTITION	
Back Compartment Lid	
Dowel	30.849
Handle	30.850
Hinge	30.851
Striker Plate	30.852
Clock (Header)	30.013
Window	
Anti-rattler (Belt rear)	30.854
Bumper	30.8545
Finishing Moulding Assy.	30.855
Glass	30.858
Cushion	30.859
Lifter Assembly	30.861
Regulator Assembly	30.863
Cylinder Assembly	30.8632
Bracket Assembly	30.8633
Tube Assembly (To Solenoid)	30.8634
Handle	30.864
Escutcheon Plate	30.865
Hinge (Compt. Lid)	30.868
Knob (Compt. Lid)	30.867
Striker Plate (Compartment Lid)	30.869
Insert	30.870
Piston Rod	30.8704
Tube Assembly (Solenoid to Cross)	30.8706
Runway	30.871
Retainer	30.872
Shim	30.873
QUARTER WINDOW (Rear)	
Dust Seal	31.280
Finishing Moulding Right	31.281
Finishing Moulding Left	31.282
Finishing Rim (Reveal)	31.286
Glass	31.287

BODY ALPHABETICAL INDEX

<p>QUARTER WINDOW (Rear) (CONT'D)</p> <ul style="list-style-type: none"> Cushion 31.2875 Weatherstrip 31.290 Lifter Assembly 31.291 Regulator Assembly 31.293 Handle 31.294 Escutcheon Plate 31.297 Runway Assembly 31.299 Retainer 31.300 <p>QUARTER WINDOW WING ASSEMBLY</p> <ul style="list-style-type: none"> Glass 31.308 Glass & Retainer Assy. 31.310 Handle (Operating) 31.316 Regulator Assy. 31.329 Escutcheon Plate 31.331 Handle 31.330 Weatherstrip 31.345 <p>REAR SEAT</p> <ul style="list-style-type: none"> Arm Rest (Folding) 30.942 Link 30.944 Spring 30.946 Spring (Back) 30.940 Spring (Cushion) 30.941 <p>REAR SEAT TRIM</p> <ul style="list-style-type: none"> Cover (Back) 31.461 Cover (Cushion) 31.463 Cushion (Seat) 31.462 <p>REAR VIEW MIRROR ASSY.</p> <ul style="list-style-type: none"> 30.022 <p>ROBE RAIL ASSY.</p> <ul style="list-style-type: none"> 30.024 Bracket 30.025 Cord 30.026 Escutcheon 30.0275 Spring (End) 30.027 Key 30.028 Sleeve 30.029 <p>ROOF (see welded assy.)</p> <p>SEAT</p> <p>Folding</p> <ul style="list-style-type: none"> Bracket (Back) 30.880 Frame Assy. 30.885 Handle 30.886 Pad (Seat Cushion) 30.883 Support Assy. 30.893 Spring 30.897 Trimmed Assy. 31.446 Cover 31.451 Cover Assy. 31.449 <p>Front</p> <ul style="list-style-type: none"> Back Spring 30.900 Cushion Spring 30.908 Hinge 30.913 Bracket 30.914 Pivot Screw 30.915 Operating Relay 30.9273 Spring 30.9277 Mechanism 30.933 Connecting Shaft ... 30.935 <p>Trim</p> <ul style="list-style-type: none"> Back Trim Cover Assy.. 31.455 Cushion (Trimmed) Assy. 31.452 Trim Cover Assy. ... 31.453 <p>Untrimmed</p> <ul style="list-style-type: none"> Assembly 31.247 Back Assy. 31.2471 <p>Rear</p> <ul style="list-style-type: none"> Arm Rest (Folding) 30.942 Link 30.944 Spring 30.946 Spring (Back) 30.940 Spring (Cushion) 30.941 <p>SUN VISOR COMPLETE 30.030</p> <ul style="list-style-type: none"> Gasket 30.032 Spring (Compression) 30.033 <p>TOGGLE GRIP ASSY. 30.034</p> <p>TRIM</p> <ul style="list-style-type: none"> Arm Rest Assy. (Front Door) 31.410 Trim Cover Assy. 31.411 	<p>TRIM (CONT'D)</p> <ul style="list-style-type: none"> Arm Rest Assy. (Rear Seat) 31.412 Arm Sling 30.005 Carpets (Fabric) Floor Front 30.417 Floor Rear 31.418 Floor Rear & Front Seat Side Sills 31.419 Floor Rear Compartment . 31.420 Floor Rear Compartment & Side Sills 31.421 Front Seat Side Sill ... 31.425 Trunk Compartment 31.427 Door Front Panel 31.435 Door Rear Panel 31.438 Foot Rest Assy. 30.014 Hassock Assy. 31.456 Trim Cover Assy. 31.457 Headlining Assy. 31.458 Kick Pad Assy. (Cowl) 31.459 Paperboard 31.460 Mat Rubber Floor Front 31.430 Floor Rear 31.431 Pillar Center Trimming Assy. .. 31.414 Center Lower Trim. Assy. 31.415 Rear Trimming Assy. 31.413 Robe Rail Assy. 30.024 Cord Assy. 30.026 Seat Folding Assy. 31.446 Back Trim Cover Assy. .. 31.451 Cushion Trim Cover Assy. 31.449 Seat Front Cushion Assy. 31.452 Trim Cover Assy. 31.453 Trim Cover (Seat Back) . 31.455 Seat Rear Cushion Assy. 31.462 Trim Cover Assy. 31.463 Trim Cover Assy. (Seat Back) 31.461 Sun Visor 30.030 Toggle Grip Assy. 30.034 Top (Folding) Curtain Assy. (Rear) ... 31.444 Valance Assy. 31.445 Deck Assy. 31.441 Envelope Assy. 31.443 Bag Assy. 31.4435 <p>TRIM (Bulk Stock)</p> <ul style="list-style-type: none"> Binding 31.465 Buckram 31.466 Carpet 31.468 Cloth 31.469 Cord Welt 31.471 Drill 31.473 Fabric 31.474 Fastener 31.4745 Felt 31.475 Gimp 31.476 Hog Ring 31.477 Lace 31.480 Leather 31.481 Pad (Jute) 31.483 Paperboard 31.485 Shim 31.486 Plush 31.487 Sheeting 31.490 Tack 31.4915 Thread 31.4916 Wadding 31.492 Webbing 31.494 Windlace (Cloth) 31.497 Windlace (Leather) 31.498 <p>TRUNK</p> <ul style="list-style-type: none"> Cover Assy. (Tire) 31.197 	<p>TRUNK (CONT'D)</p> <ul style="list-style-type: none"> Lid Assy. 31.157 Brace Assy. 31.158 Clamp 31.160 Bracket 31.162 Hinge Assy. 31.164 Spring 31.166 Lock Assy. 31.167 Handle (With Key Lock) 31.173 Striker 31.187 Plate 31.188 Weatherstrip 31.190 Plate (Tire Clamp) 31.1967 Stop (Tire) 31.202 <p>VANITY CABINET 30.037</p> <ul style="list-style-type: none"> Book (Memorandum) 30.039 Pencil 30.040 Bottle 30.038 <p>VENTILATOR</p> <ul style="list-style-type: none"> Brace (To Dash Panel) 31.230 Cover Assy. 31.225 Link (Adjusting) 31.226 Handle 31.231 Knob 31.234 Support & Link Assy. ... 31.235 Hinge 31.237 Hose (Drain Tube) 31.2305 Trough & Screen Assy. 31.238 Weatherstrip 31.239 <p>WELDED ASSEMBLY</p> <ul style="list-style-type: none"> Center Pillar Assy. 31.240 Door Assy. (Front Untrimmed) 31.243 Door Assy. (Rear Untrimmed) 31.245 Drain Gutter (Rear End Panel Trunk) 31.252 Front End Assy. 31.242 Front Seat Assy. (Untrimmed) 31.247 Back Assy. 31.2471 Moulding (Roof Rain Gutter) 31.254 Panel Assy. (Rear End Quart.) 31.251 Panel (Rear End Center) ... 31.250 Roof Assy. 31.253 <p>WINDOW</p> <p>Door Front</p> <ul style="list-style-type: none"> Dust Deal 30.352 Finishing Moulding Right 30.356 Finishing Moulding Left. 30.357 Attaching Parts 30.3570 Glass 30.366 Frame 30.370 Glass & Frame Assy. 30.371 Glass & Lifter Assy. 30.375 Header Weatherstrip 30.380 Retainer 30.381 Lifter Assy. Right 30.382 Lifter Assy. Left 30.383 Glass Cushion (Everseal) 30.3845 Regulator Assy. 30.386 Arm Roller Guide 30.3865 Arm Stop Bracket 30.387 Cylinder Assy. 30.3872 Handle 30.388 Escutcheon Plate ... 30.390 Roller Guide 30.394 Regulator Electrical Motor & Pump Assy. ... 30.6811 Solenoid 30.684 Switch 30.688 Tank Assy. (Oil) 30.682 Reveal Finishing Rim ... 30.395 Runway Assy. 30.396 Retainer 30.398 Weatherstrip (To Folding Pillar) 30.354 Wing Assy. 30.401 Glass 30.404 Retainer & Pivot ... 30.408 Glass & Retainer Assy. 30.407
---	--	---

BODY ALPHABETICAL INDEX

WINDOW (CONT'D)

Locking Bracket	30.409
Locking Handle	30.410
Pivot	30.413
Bracket	30.416
Regulator	30.418
Handle	30.419
Escutcheon Plate ...	30.4205
Water Deflector	30.431
Weatherstrip	30.433
Retainer	30.434
<u>Door Rear</u>	
Dust Seal	30.479
Finishing Moulding Right.	30.480
Finishing Moulding Left .	30.481
Glass	30.489
Glass and Frame Assembly.	30.492
Glass and Lifter Assembly	30.495
Lifter Assembly	30.500
Regulator Assembly	30.502
Arm Pivot Bracket	30.5025
Arm Roller Guide Assy..	30.5027
Cylinder Assembly	30.5032
Handle	30.504
Escutcheon Plate ...	30.5055
<u>Regulator Electrical</u>	
Motor and Pump Assy. ..	30.6811
Solenoid	30.684
Switch	30.688
Tank Assembly (Oil) ...	30.682
Reveal Finishing Rim	30.508
Runway Assembly	30.509
Retainer	30.510
<u>Weatherstrip (To Folding</u>	
Pillar)	30.486
Weatherstrip (Header) ...	30.498
<u>Wing Assembly</u>	
Draft Deflector	30.5505
Glass	30.551
Cushion	30.552
Retainer	30.5525

WINDOW (CONT'D)

Lock Handle	31.5527
Shaft	30.5528
Pivot (Lower)	30.553
Weatherstrip	30.560
Retainer	30.562
Clip	30.564
Weatherstrip (Div.) ..	30.5503
<u>Partition</u>	
Anti-Rattler (Belt Rear)	30.854
Bumper	30.8545
Finishing Moulding Assy.	30.855
Glass	30.858
Cushion	30.859
Lifter Assembly	30.861
Regulator Assembly	30.863
Cylinder Assembly	30.8632
Bracket Assembly ...	30.8633
Tube Assembly (To	
Solenoid)	30.8634
Handle	30.864
Escutcheon Plate ...	30.865
Piston Rod	30.8704
Tube Assy. Solenoid	
(To Cross)	30.8706
Runway	30.871
Retainer	30.872
Shim	30.873
<u>Quarter Rear</u>	
Dust Seal	31.280
Finishing Moulding Right	31.281
Finishing Moulding Left.	31.282
Finishing Rim (Reveal) .	31.286
Glass	31.287
Cushion	31.2875
Weatherstrip	31.290
Lifter Assembly	31.291
Regulator Assembly	31.293
Handle	31.294
Escutcheon Plate ...	31.297

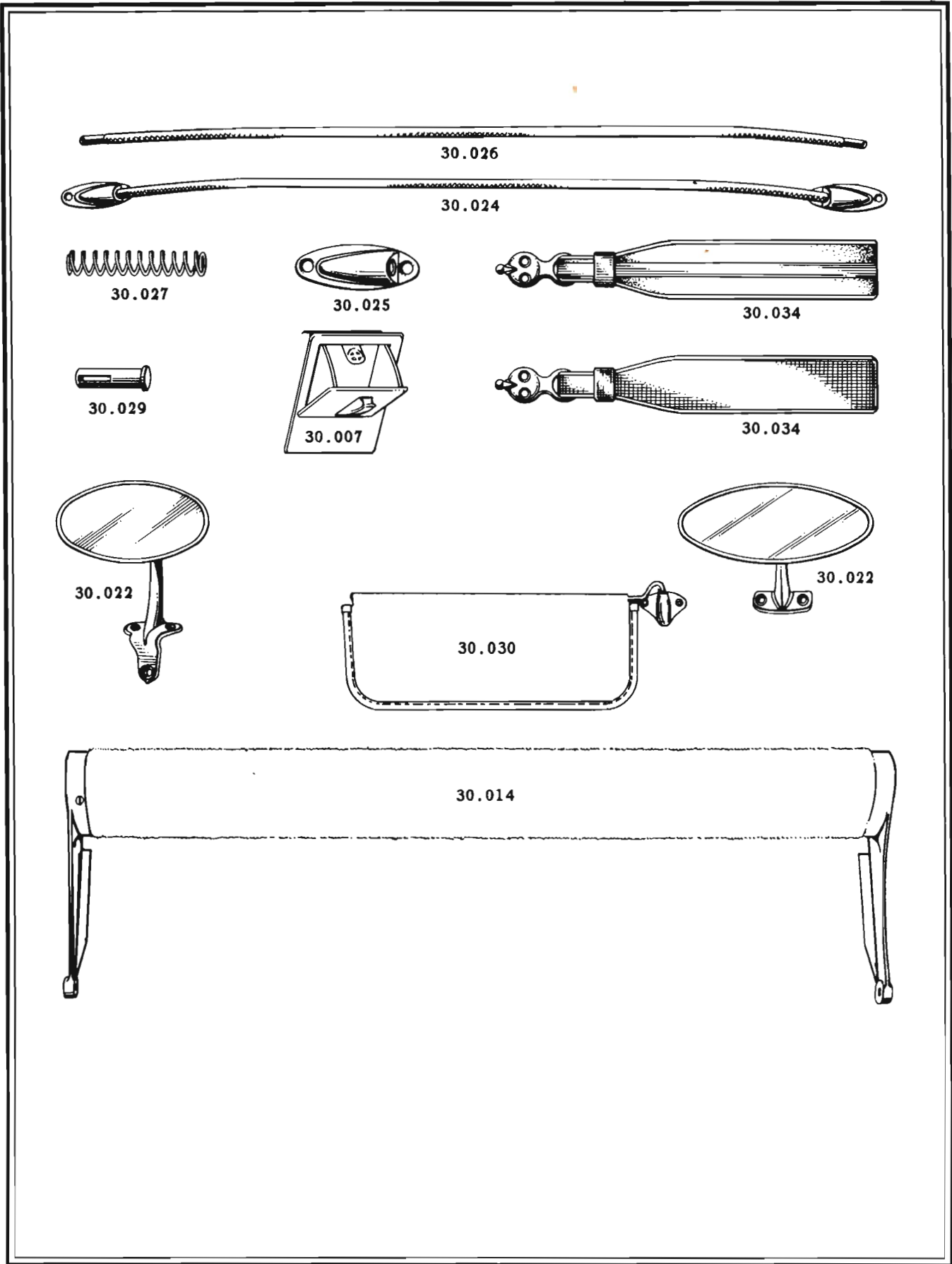
WINDOW (CONT'D)

Runway Assembly	31.299
Retainer	31.300
<u>Wing Assembly</u>	
Glass	31.305
Glass and Retainer Assy.	31.310
Handle (Operating) ...	31.316
Regulator Assembly ...	31.329
Escutcheon Plate ...	31.331
Handle	31.330
Weatherstrip	31.345
<u>Rear</u>	
Glass	31.353
Retainer	31.355
Weatherstrip	31.358
Moulding (Finishing) ...	31.365
Rim (Finishing)	31.366
<u>WINDSHIELD ASSEMBLY</u>	
Channel Assembly (Div.) ..	31.391
Filler (End)	31.392
Reinforcement	31.393
Frame	31.400
Glass	31.404
Weatherstrip	31.406
<u>Moulding (Division</u>	
Finishing)	31.394
Moulding (Finishing)	31.395
Plate (Joint Cover)	31.396
Rim (Finishing)	31.397
<u>WINDSHIELD WIPER</u>	
<u>Electrical</u>	
Blade (Wiper)	30.7085
Arm Assembly	30.709
<u>Detail Parts (Stewart-</u>	
Warner)	30.765
Motor Assembly	30.703
Switch	30.705
Knob	30.706
Tie Rod (Mounting to	
Dash)	30.7045

BODY EQUIPMENT

30.000 - 30.0115

INDEX NO.	PART NO.	DESCRIPTION AND MODELS	PER CAR	INDEX NO.	PART NO.	DESCRIPTION AND MODELS	PER CAR
ARM REST				ASH TRAY—Continued			
<p><i>NOTE: For Arm Rest Trimmed Assembly Front And Rear, Refer to Index Code 31.410 thru 31.4125</i></p>				<p>30.007 ASH TRAY ASSEMBLY (See Index 30.604 for ash tray cigar lighter) (Cont'd)</p>			
30.000	CUSHION, Arm rest (door front)			374599	(Arm Rest) (With lighter assembly) (Brown) Left 1550-51		1
	370784 Right 1951		1	374597	(Arm Rest) (With lighter assembly) (Gray) Left 1570-1-90-1		1
	357158 Right (sponge rubber) 1532-42-50-51-62-70-71-79-89-90-1-9		1	372678	(Front seat back) 1951		1
	370785 Left		1	380031	(Front seat back) (Blue tenite handle) 1502-12		1
	357159 Left (sponge rubber) 1532-42-50-51-62-70-71-79-89-90-1-9		1	380280	(Front seat back) (Chrome handle) 1522		1
30.0005	PLATE, Front door arm rest attaching			380032	(Front seat back) (Gray tenite handle) 1572		1
	372848 1951-1502-5-12-15-22-72-75-82-85-88-92-95-98		x	380030	(Front seat back) (Brown tenite handle) 1582-92		1
	7690 Screw No. 10 x 3/4		x	375260	(Side Quarter) (With cigar lighter hole) (Blue tenite handle) 1505-15		1
	372726 (50.200) Plain Washer		x	375261	(Side quarter) (Without cigar lighter hole) (Blue tenite handle) 1505-15		1
30.0006	SUPPORT ASSEMBLY, Front door arm rest			375262	(Side quarter) (With cigar lighter hole) (Gray tenite handle) 1525		2
	376174 Right 1951-1502-5-12-15-22-25-72-75-82-85-88-92-95-98		1	375263	(Side quarter) (Without cigar lighter hole) (Gray tenite handle) 1575		1
	342226 Right 1532-42-50-51-62-70-71-79-89-90-1-9		1	375262	(Side quarter) (With cigar lighter hole) (Gray tenite handle) 1575		1
	376175 Left 1951-1502-5-12-15-22-25-72-75-82-85-88-92-95-98		1	374601	(Side Quarter) Black 1579-89-99		2
	342227 Left 1532-42-50-51-62-70-71-79-89-90-1-9		1	363783	(Side Quarter) Gray 1579-89-99		2
	6915 Ferrule #8 1532-42-50-51-62-70-71-79-89-90-1-9		2	363829	(Side Quarter) Green 1579-84-9-99		2
	7654 (50.300) Screw #10 x 3/4 1951-1502-5-12-15-22-25-72-75-82-85-88-92-95-98		2	363785	(Side Quarter) Tan 1579-89-99		2
	366558 Screw #8 x 1-1/4 1532-42-50-51-62-70-71-79-89-90-1-9		4	8263	Ferrule (Arm rest) 1532-42-62		4
	6653 Washer 3/16 1532-42-50-51-62-70-71-79-89-90-1-9		4	235771	Ferrule (Side Quarter) #6 1579-84-9-99		2
30.001	PLATE, Arm rest (rear seat) attaching			7997	(50.300) Screw #8 x 5/8 tapping 1505-15-25-75		4
	359858 (Rear Male) 1532-42-50-1-62-70-1-90-1		2	7522	Screw (Arm Rest) #6 x 3/8 1532-42-62		4
	6327 (50.400) Rivet 9/64 x 3/8 1532-42-62		4	6828	Screw (Side Quarter) #8 x 3/4 1579-84-9-99		2
	4812 (50.340) Woodscrew #8 x 5/8 1550-1-70-1-90-1		2	8056	Screw #8 x 1 1584		4
30.003	RETAINER, Arm rest (rear seat) ash receiver			372686	Screw No. 8 x 5/8 1951		4
	359984 1532-42-62		2	30.0075	HANDLE, Ash tray (front seat) receiver		
	363082 Right 1550-1-70-1-90-1		1	376317	(Blue) 1502-12		1
	363083 Left 1550-1-70-1-90-1		1	372424	(Chrome) 1951-1522		1
	6327 Rivet 9/64 x 3/8 oval hd. 1532-42-62		6	376318	(Gray) 1572		1
	4807 Screw #6 x 1/2 1550-1-70-1-90-1		10	376316	(Brown) 1582-92		1
30.004	SPONGE RUBBER, Arm Rest (rear seat)			7424	(50.002) Screw #8-32 x 5/16		2
	363070 Right 1579-89-99		1	30.00753	NAME PLATE, Ash tray (front seat back) receiver		
	363071 Left 1579-89-99		1	380179	(Packard) 1522		1
	369918 1584		2	30.0076	RETAINER AND RIM ASSEMBLY, Ash tray (front seat back) receiver		
ARM SLING				372764	(Chrome) 1951-1502-12-72-82-92		1
30.005	ARM SLING			381051	(Paint) 1502-12-72-82-92		1
	374598 1532-42-50-51		2	380268	(Chrome) 1522		1
30.0061	BRACKET, Arm sling			381053	(Paint) 1522		1
	363987 (Body) 1532-42-50-51-		2	7997	(50.300) Screw #8 x 5/8		4
	363986 (Hanger) 1532-42-50-51		2	372686	Screw #8 x 5/8 1951		4
	7590 Screw #10-32 x 1		x	30.009	ASH RECEIVER, Ash tray		
ASH TRAY				359825	(Arm rest) 1532-42-62		2
30.007	ASH TRAY ASSEMBLY, (See Index 30.604 for ash tray cigar lighter)			359988	Right (Arm rest) 1550-51-70-71-90-1		1
	374603 (Arm Rest) (With cigar lighter hole) (Brown) 1532-42		2	359989	Left (Arm rest) 1550-51-70-71-90-1		1
	374602 (Arm Rest) (With cigar lighter hole) (Gray) 1562		2	314919	(Side Quarter) 1579-84-9-99		2
	374598 (Arm Rest) (With cigar lighter assembly) (Brown right) 1550-51		1	30.011	CASE, Ash tray (side quarter)		
	374596 (Arm Rest) (With lighter assembly) (Gray) Right 1570-1-90-1		1	374600	(Black) 1579-89-99		2
				363828	(Green) 1579-84-9-99		2
				363786	(Gray) 1579-89-99		2
				363788	(Tan) 1579-89-99		2
				30.0115	COVER, Ash tray (less handle)		
				380287	(Front seat back) 1502-12-82-92		1
				380437	(Front seat back) 1522		1
				380435	(Front seat back) 1572		1
				7354	Screw (Front seat back) #8-32 x 5/16		2



BODY EQUIPMENT

INDEX NO.	PART NO.	DESCRIPTION AND MODELS	PER CAR	INDEX NO.	PART NO.	DESCRIPTION AND MODELS	PER CAR
CLOCK				ROBE RAIL—Continued			
30.013		CLOCK, Partition header		30.025		BRACKET, Robe rail	
	359839	1532	1		366122	1532	2
	359890	1542-50	1		366120	Right 1551	1
		7050 Screw #2 x 3/8 1532-42	4		366121	Left 1551	1
		6738 Woodscrew #1 x 3/8 1550	3		366166	Right 1542	1
					366167	Left 1542	1
FOOT REST					4924	Woodscrew #10 x 3/4 1542-51	4
30.014		FOOT REST ASSEMBLY, (Spec. set no.)			4819	Woodscrew #10 x 3/4 1532	8
	353821	1542-50-51	1	30.0255		HANDLE, Robe rail	
	374690	(Cloth jobs) 1562-70-71	1		366172	Right 1532-42-50-1	1
	374691	(Leather jobs) 1562-70-71	1		366173	Left 1532-42-50-1	1
30.015		BAR, Foot rest			361756	Bolt upper 1550	2
	325791	1542-50-1-62-70-1	1		366163	Bolt upper 1532-42-51	2
30.017		SUPPORT, Foot rest			7599	(50.003) Bolt lower 5/16-18 x 1-1/4 hex hd 1550	2
	224548	Right 1542-50-1-62-70-1	1		7081	(50.003) Bolt lower 5/16-18 x 5/8 hex hd 1532-42-51	2
	224549	Left 1542-50-1-62-70-1	1		7049	(50.230) Lockwasher 5/16 1550	4
	6778	Woodscrew #6 x 5/8	6		5504	(50.220) Lockwasher 5/16 1532-42-51	4
	6777	Woodscrew #2 x 1 1/2	2	30.02b		CORD ASSEMBLY, Robe rail (Specify motor and set number)	
30.018		BRACKET, Foot rest support			376810	(Black-colonial grain) 1951	1
	224573	(Chrome plate) 1542-50-1-62-70-1	2		376808	(Natural grain) 1951	1
30.019		SCREW, Foot rest support bracket			376809	(Antique grain) 1951	1
	224537	5/16 - 18 x 25/32 1542-50-1-62-70-1	2		370878	(Trim set No. 5) 1951	1
	7457	(50.001) #10-32 x 5/8 oval hd. (Phillips) 1542-50-1-62-70-1	4		370938	(Trim set No. 9) 1951	1
30.021		CUSHION, Foot rest support bracket			372708	1502-12-22-72-82-92	1
	206130	1542-50-1-62-70-1	2		375118	1525	2
REAR VIEW MIRROR					374695	1532-50	1
30.022		MIRROR ASSEMBLY, Rear view			374695	(Use with partition equipment) 1542	1
	363720	1951-1502-5-12-15-72-75-82-85-88-90-91-92-95-98	1		374696	1542-51	1
	375468	(Chrome) 1522-5-32-42-50-1	1		375439	1575	2
	▲374799	(Paint) 1522	1		6996	(50.300) Screw #12 x 1/2 1525-75	4
	318785	1562-70-1	1		366241	Set screw #8-32 1532-42-50-1	2
	374221	1579-89-99	1	30.027		END SPRING, Robe rail	
	349877	(Complete) (For front door) 1584	1		372691	1502-12-22-72-82-92	2
	365400	(For partition) 1584	2	30.0275		ESCUTCHEON, Robe rail	
	342145	(50.100) Lock Nut 5/16 x 24	1		372256	(Chrome) 1951-1502-12-22-72-82-92	2
30.0230		ARM ASSEMBLY, Rear view (door) mirror			380612	(Paint) 1502-12-22-72-82-92	2
	353263	1584	1		375116	1525-75	2
30.0231		BRACKET, Rear view (door) mirror clamp			7560	(50.300) Screw #8 x 5/8 tapping 1525-75	4
	353264	1584	1		372257	Spacer 1951-1502-12-22-72-82-92	2
	353265	Pad (Rubber)	1	30.028		KEY, Robe rail end spring	
	353279	Screw	2		372692	1502-12-22-72-82-92	2
30.0232		GLASS ASSEMBLY, Rear view (door) mirror		30.029		SLEEVE, Robe rail end spring	
	353266	1584	1		372690	1502-12-22-72-82-92	2
30.0233		SLEEVE, Rear view (door) mirror		30.0295		NUT, Robe rail	
	353267	1584	1		372738	1951-1502-12-22-72-82-92	2
30.0234		PLUNGER, Rear view (door) mirror sleeve		SUN VISOR			
	353269	1584	1	30.030		SUN VISOR, (Specify motor and set number)	
30.0235		ROSETTE, Rear view (partition) mirror			376807	(Black - colonial grain)	2
	369426	(Includes Woodscrew and felt washer) 1584	4		376805	(Natural grain)	2
ROBE RAIL					376806	(Antique grain)	2
30.024		ROBE RAIL ASSEMBLY, (Specify set number)			370876	(Trim Set No. 5)	2
	353271	(Leather Jobs) 1562-70-1	1		370935	(Trim Set No. 9)	2
	349365	(Cloth Jobs) 1562-70-1	1		374324	(Chrome corner clips) Right 1502-5-12-15-82-85-88-92-95-98	1
	366530	(Use with partition equipment) 1562	1		▲374842	(Painted corner clips) Right 1502-12-82-92	1
	6614	Plain washer 7/16 1562-71	2		375358	(Chrome) Right 1522	1
	6574	(50.230) Lockwasher 9/16 Shakeproof 1570	2		▲374802	(Paint) Right 1522	1
	5806	(50.230) Lockwasher 7/16 Shakeproof 1562-71	2		357012	Right 1532-42-50-1	1
	7254	(50.100) Nut 7/16-14 1562-71	2		357010	Right 1562-70-1	1
	337743	Nut (Spl. bolt shaped) 1570	2		375360	(Chrome) Right 1572-75	1
					▲374804	(Paint) Right 1572	1

▲Used on Clipper four door sedans built after Jan. 1, 1942 only. All other body types have chrome trim.

30.030 - 30.10415 BODY EQUIPMENT AND BODY HOLD DOWN BOLTS

INDEX NO.	PART NO.	DESCRIPTION AND MODELS	PER CAR
SUN VISOR —Continued			
30.030		SUN VISOR, (Specify motor and set number)(Cont'd)	
	366092	Right 1579-89-99	1
	363546	Right 1590-1	1
	374325	(Chrome corner clips) Left 1502-5-12-15-82-85-88-92-95-98	1
	374843	(Painted corner clips) Left 1502-12-82-92 ...	1
	375359	(Chrome) Left 1522-25	1
	374803	(Paint) Left 1522	1
	357013	Left 1532-42-50-1	1
	357011	Left 1562-70-1	1
	375361	(Chrome) Left 1572-75	1
	374805	(Paint) Left 1572	1
	366093	Left 1579-89-99	1
	363547	Left 1590-1	1
	6951	Blind nut #10-32 1579-89-99	2
	6653	Plain washer 3/16 1579-89-99	2
	7083	(50.001) Screw #8-32 x 1/2 1502-5-12-15-22-25-72-75-82-85-88-92-95-98	6
	235770	Screw 1/4-28 x 5/8 oval hd. 1532-42-50-1-62-70-1	4
30.0307		ARM AND BRACKET ASSEMBLY - Sun Visor	
	372420	1951	2
30.032		GASKET, Sun visor	
	337127	1532-42-50-1-62-70-1	2
	342278	1590-1	2
30.033		SPRING, Sun visor - compression	
	337639	1579-89-99	2
TOGGLE GRIP			
30.034		TOGGLE GRIP ASSEMBLY, (Specify set number)	
	375312	(Cloth jobs) 1505-15	2
	375509	(Leather jobs) 1505-15-75	2
	375240	(Cloth jobs) 1525	2
	359775	(Cloth jobs) 1562-70-1	2
	359776	(Leather jobs) 1562-70-1	2
	375241	(Cloth jobs) 1575	2
	342921	1590-1	2
	375309	Screw 1/4-20 x 7/8 tapping 1505-15-25-75	4
	359093	Screw 1562-70-1	2
	359095	Spacer 1562-70-1	2
	194732	Spring Washer 1/4 1562-70-1	2
VANITY CABINET			
30.037		VANITY CABINET	
	359492	Right 1532	1
	359493	Left 1532	1
	4994	Woodscrew #12 x 1	4
30.038		BOTTLE, Vanity cabinet	
	235176	1532	2
30.039		BOOK, Vanity cabinet memorandum	
	235177	1532	2
30.040		PENCIL, Vanity cabinet memorandum book	
	184433	1532	2

INDEX NO.	PART NO.	DESCRIPTION AND MODELS	PER CAR
BODY HOLD DOWN BOLTS			
30.100		SCREW, Body to frame	
	6800	3/8-16 x 2-1/8 hex hd 20th Sr	x
	6871	3/8-16 x 2-1/2 hex hd 20th Sr	x
	363643	3/8-16 x 2-3/4 cross recess oval hd. 20th Sr.	x
	7030	3/8-16 x 3 hex hd 20th Sr	x
	5506	Lockwasher 3/8	x
	314915	Nut and Lockwasher 3/8-16	x
	5049	Washer 13/32 x 1 x 1/8	x
	328869	Washer 13/32 x 1 1/4 x 3/16 countersunk	x
	327328	Washer 13/32 x 1 3/8 x 3/16	x
	366598	Washer 13/32 x 1 1/2 x 1/8	x
	331741	Washer 13/32 x 1 9/16 x 3/16	x
	337998	Washer 13/32 x 1 7/8 x 1/8	x
30.1004		CUSHION (RUBBER), Body to frame bolt mounting	
	349457	13/32 x 1-1/4 - 1 3/4 x 3/8 20th Sr	x
	349466	13/32 x 1-1/2 x 3/8 20th Sr	x
	349468	13/32 x 1-1/2 x 5/8 20th Sr.	x
	375398	3/4 x 1-3/4 x 5/8 20th Sr.	x
30.101		SPACER, Body to frame bolt mounting cushion (round steel)	
	337451	7/16 x 1-1/2 x 9/16 20th Sr	x
	337452	7/16 x 1-1/2 x 23/32 20th Sr	x
	337453	7/16 x 1-1/2 x 27/32 20th Sr	x
30.1015		SPACER, Body to frame bolt mounting cushion (square steel)	
	366428	13/32 x 1-1/2 x 1/16 20th Sr	x
	349471	13/32 x 1-1/2 x 1/8 20th Sr	x
	349470	13/32 x 1-1/2 x 3/16 20th Sr	x
	349520	7/16 x 1-1/2 x 5/16 20th Sr	x
	349521	7/16 x 1-1/2 x 3/8 20th Sr	x
	326494	1/2 (slot) x 1-5/8 x 1/16 20th Sr	x
	326493	1/2 (slot) x 1-5/8 x 1/8 20th Sr	x
	328689	1/2 x 1-1/2 x 7/16 20th Sr	x
	375399	3/4 x 1-3/4 x 1/8 20th Sr	x
	366601	7/8 x 1-1/2 x 1/8 20th Sr	x
30.1035		WASHER (RUBBER), Body to frame insulating	
	363121	13/32 x 13/16 x 5/16 20th Sr	x
30.10415		STUD, Body to frame	
	366429	3/8 - 16 x 2 5/8 20th Sr	x

Used on Clipper four door sedans built after Jan. 1, 1942 only. All other body types have chrome trim.

COWL AND DOORS

30.200 - 30.307

INDEX NO.	PART NO.	DESCRIPTION AND MODELS	PER CAR	INDEX NO.	PART NO.	DESCRIPTION AND MODELS	PER CAR
COWL				FRONT—PARTS			
30.200		MOULDING, Cowl belt		<i>NOTE: For Front Door Untrimmed Refer To Index Code 31.243</i>			
	357830	Right 1532-42-50-1-62-70-1-9-84-9-90-1-9	1	30.301		MOULDING, Front door belt	
	357831	Left 1532-42-50-1-62-70-1-9-84-9-90-1-9	1		370186	(Chrome) Right 1951-1502-12-22-72-82-92	1
	364327	Clip	4		380694	(Prime) Right 1502-12-22-72-82-92	1
	366326	Seal (rubber)	4		375296	Right 1505-15-25-75-85-8-95-8	1
30.201		LACE, Cowl to bonnet			357836	Right 1532-42-50-51-62-70-71-79-84-9-90-1-9	1
	359591	1532-42-50-1-62-70-1-9-84-9-90-1-9	2		370187	(Chrome) Left 1951-1502-12-22-72-82-92	1
	307128	Drive nail #6 x 3/8	x		380695	(Prime) Left 1502-12-22-72-82-92	1
30.2015		SEAL, Cowl to bonnet rubber			375297	Left 1505-15-25-75-85-8-95-8	1
	362472	Right 1532-42-50-1-62-70-1-9-84-90-1-9	1		357837	Left 1532-42-50-1-62-70-1-9-84-9-90-1-9	1
	362471	Left 1532-42-50-1-62-70-1-9-84-9-90-1-9	1		372618	(50.600) Clip 1951	x
	366321	Fastener	6		376497	Clip 1502-12-22-72-82-92	12
					375178	Clip 1505-15-25-75-85-8-95-8	14
					364327	(50.600) Clip 1532-42-50-1-62-70-1-9-84-9-90-1-9	26
				30.3010		BUMPER, Front door	
					372652	(on center pillar) 1951-1502-12-22-72-82-92	2
					372341	(on front pillar) 1505-15-25-75-85-8-95-8	4
					331576	(Upper Corner) 1532-42-50-1-62-70-1-84-90-1	2
					342841	(1-1/2 wide) 1579-89-99	2
					349078	(1-5/8 wide) 1579-89-99	2
					6950	(50.300) Screw #6 x 3/8 1502-5-12-15-22-25-72-75-82-85-88-92-95-98	4
					218826	(50.300) Screw #6 x 1/2 1579-89-99	2
					7642	Screw 1951	2
				30.3015		MOULDING, Front door bonnet side extension	
					372034	(Chrome) (right) 1951-1502-5-12-5-22-5-72-5-82-5-8-92-5-8	1
					*380600	(Prime) (right) 1502-12-22-72-82-92	1
					372035	(Chrome) (left) 1951-1502-5-12-5-22-5-72-5-82-5-8-92-5-8	1
					*380601	(Prime) (left) 1502-12-22-72-82-92	1
					372960	Clip (front)	x
					372962	Clip (intermediate) 1951-1502-12-22-72-82-92	x
					376063	Clip (rear)	x
					372962	Clip (center)	x
				30.304		STRAP ASSEMBLY, front door check	
					372249	1951-1502-5-12-5-22-5-72-5-82-5-8-92-5-8	2
					372287	Pivot Pin	2
				30.3043		BRACKET, Front door check strap body	
					370405	1951-1502-5-12-5-22-5-72-5-82-5-8-92-5-8	2
				30.3045		RETAINER ASSEMBLY, Front door check strap	
					370406	1951-1502-5-12-5-22-5-72-5-82-5-8-92-5-8	2
					372225	Rivet (to door)	4
				30.3046		BUMPER, Front door check strap rubber	
					372091	1951-1502-5-12-5-22-5-72-5-82-5-8-92-5-8	2
				30.3047		PIN, Front door check strap rubber bumper retaining	
					370381	1951-1502-5-12-5-22-5-72-5-82-5-8-92-5-8	2
				30.3048		WASHER, Front door check strap rubber bumper retaining	
					370386	1951-1502-5-12-5-22-5-72-5-82-5-8-92-5-8	2
				30.305		DOVE TAIL-MALE, Front door	
					326024	1579-89-99	2
					6303	(50.001) Screw 1/4 - 28 x 1/2	4
				30.306		DOVE TAIL-FEMALE, Front door	
					326065	1579-89-99	2
					6991	(50.001) Screw 1/4 - 28 x 5/8	4
				30.307		SHIM, Front door dove tail-male	
					331675	1579-89-99	x

Used on Clipper Four Door Sedans built after Jan. 1, 1942 only. All other body types have chrome trim.

INDEX NO.	PART NO.	DESCRIPTION AND MODELS	PER CAR
FRONT—PARTS—Continued			
30.308		STRIKER, Front door dove tail	
325540	1532-42-50-51	2
314926	1562-70-1-84-90-1	2
5899	(50.230) Lockwasher 5/16 shakeproof	4
6873	(50.025) Screw 1/4 - 28 x 5/8 1532-42-50-51.	4
366233	(50.025) Screw 1/4 - 28 x 9/16 1562-70-71-84-90-91	4
NOTE: For Striker and Dovetail Assy. Refer To Index Code 30.340. For Door Lock Striker Index Code 30.341			
30.309		PLATE, Front door dove tail striker tapping	
314035	1532-42-50-51-62-70-71-84-90-91	2
30.310		HINGE ASSEMBLY, Front door - upper	
375356	Right 1951-1502-12-22-72-82-92-1505-15-25-75-85-8-95-8	1
349500	Right 1532-42-50-1-62-70-1-9-84-9-90-1-9	1
375357	Left (Supersedes 372009) 1951-1502-12-22-72-82-92	1
375357	Left 1505-15-25-75-85-8-95-8	1
349501	Left 1532-42-50-1-62-70-1-9-84-9-90-1-9	1
5506	(50.220) Lockwasher 3/8 std.	6
7818	Screw 3/8-24 x 7/8 hex. hd.	6
359495	Screw & Lockwasher (to door) 1532-42-50-1-62-70-1-9-84-9-99	8
372391	Screw & Lockwasher (to body) 1951-1505-15-25-75-85-8-95-8	10
372390	Screw & Lockwasher (to door) 1505-15-25-75-85-8-95-8	6
30.311		HINGE ASSEMBLY, Front door-Lower	
372030	Right 1951	1
375354	Right 1502-5-12-15-22-25-72-75-82-85-88-92-95-98	1
349612	Right 1532-42-50-1-62-70-1-9-84-9-90-1-9	1
372031	Left 1951	1
375355	Left 1502-5-12-15-22-25-72-75-82-85-88-92-95-98	1
349613	Left 1532-42-50-1-62-70-1-9-84-9-90-1-9	1
5385	(50.230) Lockwasher 5/16 shakeproof 1532-42-50-1-62-70-1-9-84-9-90-1-9	12
6932	(50.025) Screw 5/16 18 x 1/2 1532-42-50-1-62-70-1-9-84-9-90-1-9	12
372391	Screw & Lockwasher (to body) 1951-1505-15-25-75-85-8-95-8	10
372390	Screw & Lockwasher (to door) 1951-1505-15-25-75-85-8-95-8	6
30.312		PIN, Front door hinge	
372040	Lower & Upper 1951-1502-5-12-15-22-25-72-75-82-85-88-92-95-98	4
351357	Lower (Std) 1532-42-50-51-62-70-71-79-89-90-1-9	2
351358	Lower (.005 over) 1532-42-50-51-62-70-71-79-89-90-1-9	2
337369	Upper (Std) 1532-42-50-1-62-70-1-9-84-9-99	2
30.314		LINER, Front door hinge upper bracket	
326304	1532-42-50-51-62-70-71-79-84-9-90-1-9	2
30.315		SHIM, Front door hinge upper bracket	
337768	1520-1-32-42-50-1-62-70-1-9-84-9-90-1-9	x
30.3150		BUMPER, Front door hinge upper stop	
327266	1532-42-50-51-62-70-71-79-84-9-90-1-9	2
6567	Screw #10 x 5/8	2

INDEX NO.	PART NO.	DESCRIPTION AND MODELS	PER CAR
FRONT—PARTS—Continued			
30.318		PLATE, Front door hinge-upper-tapped	
310372	(3 holes) 1532-42-50-51-62-70-71-79-84-9-90-1-9	2
325582	Right (6 holes) 1532-42-50-51-62-70-71-79-84-9-90-1-9	1
325583	Left (6 holes) 1532-42-50-51-62-70-71-79-84-9-90-1-9	1
30.3185		LOCK HANDLE EQUIPMENT, Front door left (key locking left handle-lock cylinder & key)	
98759	(Has fleur-de-lis-design) 1589	1
98755	(Has smooth surface-no design) 1589	1
98758	1590-1	1
30.319		LOCK, Front door	
NOTE: For Front Door Lock And Remote Control Assy. Refer To Index Code 30.331. For Rear Door Lock Index Code 30.449			
372078	Right 1951	1
370278	Right 1502-12-72-82-92	1
375400	Right 1505-15-25-75-85-8-95-8	1
380170	Right 1522	1
342538	Right 1532-42-50-1	1
342536	Right 1562-70-1-84-90-1	1
342922	Right 1579-89-99	1
372079	Left 1951	1
380131	Left 1502-12-72-82-92	1
375401	Left 1505-15-25-75-85-8-95-8	1
380171	Left 1522	1
363128	Left 1532-42-50-1	1
363127	Left 1562-70-1-84-90-1	1
363129	Left 1579-99	1
342923	Left 1589	1
5396	(50.230) Lockwasher 1/4 1532-42-50-1-62-70-1-84-90-1	2
224887	(50.230) Lockwasher 1/4 Shakeproof 1532-42-50-1-62-70-1-9-84-9-90-1-9	4
5861	(50.230) Lockwasher #8 Shakeproof 1579-89-99	4
376109	Screw & Lockwasher (inner panel) 1505-15-25-75-85-8-95-8	10
366233	Screw 1/4-28 x 9/16 1532-42-50-1-62-70-1-9-84-9-90-1-9	6
327225	Screw #8-32 x 1/2 1579-89-99	4
30.320		LOCK, Front door lock cylinder	
372967	1951-1502-5-12-5-22-5-72-5-82-5-8-92-5-8...	x
337017	1532-42-50-1-62-70-1-9-99	2
337017	1584-9-90-91	1
30.3225		RETAINER ASSEMBLY, Front door lock cylinder lock	
372855	1951-1502-5-12-5-22-5-72-5-82-5-8-92-5-8	x
372854	Set Screw	x
30.326		HANDLE, Front door lock - right	
372820	(Chrome) 1951-1502-12-22-72-82-92	1
*380664	(Paint) 1502-12-22-72-82-92	1
375190	1505-15-25-75-85-8-95-8	1
337122	(Key lock type) 1532-42-50-1-62-70-1-84-90-1	1
337123	(Key lock type) 1579-99	1
*342902	(Key lock type) 1589	1
337123	(Key lock type) 1589	1
*342900	(Key lock type) 1590-1	1
30.327		HANDLE, Front door lock - left	
372821	(Chrome) 1951-1502-12-22-72-82-92	1
*380665	(Paint) 1502-12-22-72-82-92	1
375191	1505-15-25-75-85-8-95-8	1

* Has Fleur-de-lis Design

□ Has smooth surface - no Design

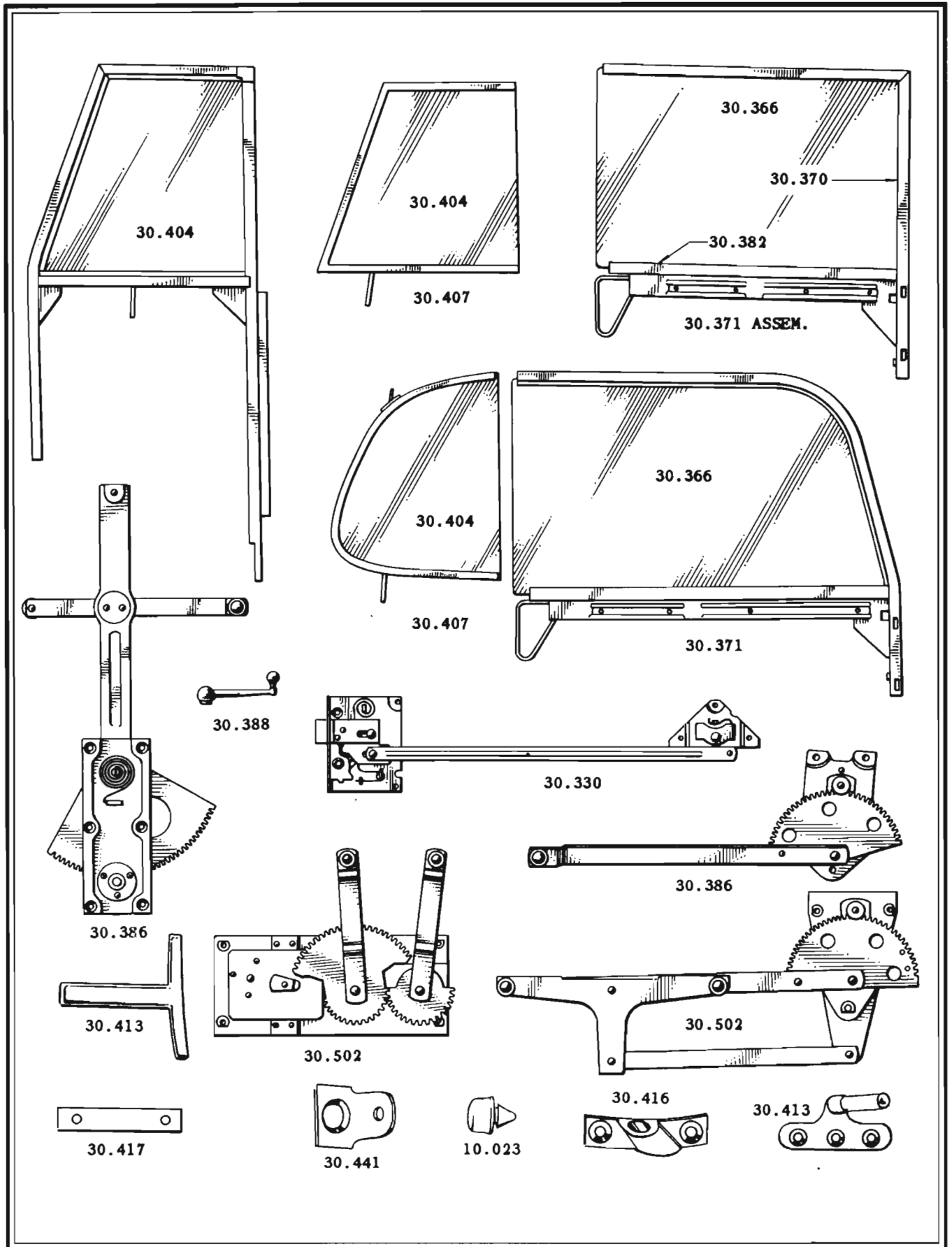
▲ Used on Clipper Four Door Sedans built after Jan. 1, 1942 only. All other body types have chrome trim.

DOORS

INDEX NO.	PART NO.	DESCRIPTION AND MODELS	PER CAR
FRONT—PARTS—Continued			
30.34295		STRAP AND ESCUTCHEON ASSEMBLY, Front door pull to	
	372711 (Chrome)	1522-5	2
▲374777	(Paint)	1522	2
	6387 (50.200)	Washer (plain) (to window finishing moulding stud)	8
	5861 (50.230)	Lockwasher #8 internal	8
	7002 (50.100)	Nut #8-32	8
30.34297		ESCUTCHEON, Front door pull to strap	
	372723 (Chrome)	1522-5	4
▲374776	(Paint)	1522	4
30.3437		PLATE, Front door script	
	375362 (Clipper) (Chrome)	1502-5-12-5-22-5-72-5-82-5-8-92-5-8	2
	372092	Fastener	6
30.344		WEATHERSTRIP, Front door	
	372118	Right (hinge side & lower) 1951-1502-5-12-15-22-25-72-75-82-85-88-92-95-98	1
	372116	Right (Lock side & upper) 1951-1502-12-22-72-82-92	1
	375122	Right (Lock side & upper) 1505-15-25-75-85-8-95-8	1
	372119	Left (Hinge side & lower) 1951-1502-5-12-15-22-25-72-75-82-85-88-92-95-98	1
	372117	Left (Lock side & upper) 1951-1502-12-22-72-82-92	1
	375123	Left (Lock side & upper) 1505-15-25-75-85-8-95-8	1
	349370	Lower 1532-42-50-1-62-70-1-84-90-1	2
	349601	Upper 1532-42-50-1-62-70-1-84-90-1	2
	349600	1579-89-99	2
FRONT—WINDOW			
30.352		SEAL, Front door window dust	
	376688 (Chrome)	Inner Right 1502-12-22-72	1
	375650 (Paint)	Inner Right 1502-12-22-72	1
	375152	Inner Right 1505-15-25-75	1
	357584	Inner Right 1532-42-50-1-62-70-1	1
	370204	Inner Right 1951-1589-92	1
	375150	Inner Right 1585-8-95-8	1
	357562	Inner Right 1590-1	1
	376689 (Chrome)	Inner Left 1502-12-22-72	1
	375651 (Paint)	Inner Left 1502-12-22-72	1
	375153	Inner Left 1505-15-25-75	1
	357585	Inner Left 1532-42-50-1-62-70-1	1
	370205	Inner Left 1951-1582-92	1
	375151	Inner Left 1585-8-95-8	1
	357563	Inner Left 1590-1	1
	337945	Inner 1579-89-99	2
	376582 (Chrome)	Outer right 1502-12-22-72	1
	375654 (Paint)	Outer right 1502-12-22-72	1
	375156	Outer right 1505-15-25-75	1
	357585	Outer right 1532-42-50-1-62-70-1	1
	372208	Outer right 1951-1582-92	1
	357562	Outer right 1584-90-1	1
	375154	Outer right 1585-8-95-8	1
	376583 (Chrome)	Outer left 1502-12-22-72	1
	375655 (Paint)	Outer left 1502-12-22-72	1
	375157	Outer left 1505-15-25-75	1
	357584	Outer left 1532-42-50-1-62-70-1	1
	372209	Outer left 1951-1582-92	1
	357563	Outer left 1584-90-1	1
	375155	Outer left 1585-8-95-8	1
	325810	Outer 1579-89-99	2
	337871	Clip 1532-42-50-1-62-70-1	14
	7642 (50.300)	Screw #6 x 3/8 1579-89-99	12
30.354		WEATHERSTRIP, Front door window to folding pillar	
	349504	Right 1579-89-99	1
	349505	Left 1579-89-99	1
	6762 (50.300)	Screw #4 x 3/8	2

INDEX NO.	PART NO.	DESCRIPTION AND MODELS	PER CAR
FRONT—WINDOW—Continued			
30.355		RETAINER, Front door window to folding pillar weatherstrip	
	349506	Right 1579-89-99	1
	349507	Left 1579-89-99	1
	4809 (50.340)	Screw #8 x 1/2	6
30.356		MOULDING, Front door window finishing - right	
	370180	1951	1
	376732	1502-12	1
	375160	1505-15	1
	376720	1522	1
	375244	1525	1
	359600	(Wood) 1532-42-50-1	1
	374510	(For cloth trim) 1562-71	1
	374512	(For leather trim) 1562-70-1	1
	376736	1572	1
	357162	1575	1
	357018	(Plated) 1579-89-99	1
	376728	1582-92	1
	363456	1584	1
	366882	1585-8-95-8	1
	374334	1590-1	1
30.357		MOULDING, Front door window finishing - left	
	370181	1951	1
	376733	1502-12	1
	375161	1505-15	1
	376721	1522	1
	375245	1525	1
	359601	(Wood) 1532-42-50-1	1
	374511	(For cloth trim) 1562-71	1
	374513	(For leather trim) 1562-70-1	1
	376737	1572	1
	375163	1575	1
	357019	(Plate) 1579-89-99	1
	376729	1582-92	1
	363457	1584	1
	366883	1585-8-95-8	1
	374335	1590-1	1
30.3570		ATTACHING PARTS, Front door window finishing moulding	
	359653 (50.600)	Clip (cordwelt) 1562-70-1-90-1	14
	359652 (50.600)	Clip (Cordwelt corner) 1562-70-1-90-1	4
	359654 (50.600)	Clip (Cordwelt front) 1562-70-1-90-1	4
	366442 (50.600)	Clip (Screw) 1562-70-1-84-90-1	8
	235771	Ferrule #6 1532-42-50-1	10
	372444	Screw #8 x 7/8 1951	12
	380425	Screw #4 x 7/8 1505-15-25-75-85-88-95-98	2
	342860	Screw #8 x 7/8 spec. #6 oval hd. Type Z tapping 1502-5-12-5-22-5-72-5-82-5-8-92-5-8	12
	342860	Screw #8 x 7/8 1562-70-1-84-90-1	2
	342861	Screw #8 x 1-1/8 1532-42-50-1-62-70-1-9-84-9-90-1-9	8
	349394	Screw #8 x 3/4 1532-42-50-1	2
	349394	Screw #8 x 3/4 1579-89-99	4
30.3615		STRIP, Front door window finishing moulding trim	
	376608 (Chrome)	(27-5/16" long) 1502-12-72	2
▲380643	(Paint)	(27-5/16" long) 1502-12-72	2
	374394	Right (35-1/8" long) 1505-15-75	1
	374395	Left (35-1/8" long) 1505-15-75	1
	376607 (Chrome)	(8-3/16" long) 1522	4
▲380642	(Paint)	(8-3/16" long) 1522	4
	375249	(12-1/8" long) 1525	4
30.3617		PLATE, Front door window finishing moulding trim strip end	
	374406 (Chrome)	(Right) 1502-5-12-5-22-5-72-5	2
▲380640	(Paint)	(Right) 1502-12-22-72	2
	374407 (Chrome)	(Left) 1502-5-12-5-22-5-72-5	2

▲Used on Clipper Four Door Sedans built after Jan. 1, 1942 only. All other body types have chrome trim.



DOOR WINDOWS - REGULATORS AND REGULATOR PARTS

INDEX NO.	PART NO.	DESCRIPTION AND MODELS	PER CAR
FRONT—WINDOW—Continued			
30.3617		PLATE, Front door window finishing moulding trim strip end (Cont'd)	
	▲380641 (Paint) (Left) 1502-12-22-72	2
	364121 (50.150) Speed nut (Supersedes 375270)	12
30.366		GLASS, Front door window	
	369651 1951-1502-12-22-72-82-92	2
	374654 1505-15-25-75-85-8-95-8	2
	357607 1532-42-50-1-62-70-1	2
	349403 1579-89-99	2
	369371 1584	2
	357606 1590-1	2
30.370		FRAME, Front door window glass	
	369376 Right 1584	1
	369377 Left 1584	1
30.371		GLASS AND FRAME ASSEMBLY, Front door window	
	349398 Right 1579-89-99	1
	369374 Right 1584	1
	349399 Left 1579-89-99	1
	369375 Left 1584	1
	8091 Screw (To lifter) #6 x 5/16 1584	8
30.375		GLASS AND LIFTER ASSEMBLY, Front door window	
	370164 Right 1951-1502-12-22-72-82-92	1
	926044 Right 1505-15-25-75-85-8-95-8	1
	925413 Right 1532-42-50-1	1
	925369 Right 1562-70-1-90-1	1
	370165 Left 1951-1502-12-22-72-82-92	1
	926045 Left 1505-15-25-75-85-8-95-8	1
	925414 Left 1532-42-50-1	1
	925370 Left 1562-70-1-90-1	1
30.376		EXTENSION, Front door window glass frame lifter channel	
	325818 Right 1579-89-99	1
	325819 Left 1579-89-99	1
	7436 (50.000) Screw #10-32 x 1/4	4
	5500 (50.220) Lockwasher #10	4
30.377		STOP, Front door window glass	
	370380 (Before adding rubber) 1951	2
	370378 (Rubber covered) 1951-1502-5-12-5-22-5-72-5-82-5-8-92-5-8	2
	372211 Screw & Lockwasher	2
30.380		WEATHERSTRIP, Front door window header	
	349508 Right 1579-89-99	1
	349509 Left 1579-89-99	1
30.381		RETAINER, Front door window header weather-strip	
	359662 Right 1579-89-99	1
	359663 Left 1579-89-99	1
	7652 (50.300) Screw #8 x 1/2	2
	7649 (50.300) Screw #8 x 3/8	10
30.382		LIFTER ASSEMBLY, Front door window - right	
	370424 1951-1502-12-22-72-82-92	1
	374076 1505-15-25-75-85-8-95-8	1
	363706 1532-42-50-1	1
	359670 1562-70-1-90-1	1
	369362 1584	1
30.383		LIFTER ASSEMBLY, Front door window - left	
	370425 1951-1502-12-22-72-82-92	1
	374077 1505-15-25-75-85-8-95-8	1
	363707 1532-42-50-1	1
	359671 1562-70-1-90-1	1
	369363 1584	1
30.3845		CUSHION, Front door window lifter glass (everseal)	
	376162 .060 1502-5-12-15-22-25-72-75-82-85-88-92-95-98	x

INDEX NO.	PART NO.	DESCRIPTION AND MODELS	PER CAR
FRONT—WINDOW—Continued			
30.3845		CUSHION, Front door window lifter glass (Everseal) (Cont'd)	
	376163 .070 1502-5-12-15-22-25-72-75-82-85-88-92-95-98	x
	376249 .080 1502-5-12-15-22-25-72-75-82-85-88-92-95-98	x
	366354 .060 x 1-1/4 1532-42-50-1-62-70-1-84-90-1	x
	311439 .070 x 1-1/4 1532-42-50-1-62-70-1-84-90-1	x
	366355 .080 x 1-1/4 1532-42-50-1-62-70-1-84-90-1	x
	353194 .086 x 1-1/4 1532-42-50-1-62-70-1-84-90-1	x
	314804 .060 x 1-3/4 1951-1584	x
	314805 .070 x 1-3/4 1951-1584	x
	357601 .080 x 1-3/4 1951-1584	x
30.386		REGULATOR ASSEMBLY, Front door window	
	370270 Right 1951-1502-12-22-72-82-92	1
	375124 Right 1505-15-25-75-85-8-95-8	1
	357632 Right 1562-70-1-84-90-1	1
	349276 Right 1579-89-99	1
	363870 1532-42-50-1	2
	370271 Left 1951-1502-12-22-72-82-92	1
	375125 Left 1505-15-25-75-85-8-95-8	1
	357633 Left 1562-70-1-84-90-1	1
	349277 Left 1579-89-99	1
	5506 (50.220) Lockwasher 3/8 split 1502-5-12-15-22-25-72-75-82-85-88-92-95-98	1
	6699 (50.230) Lockwasher 1/4 shakeproof 1562-70-1-9-84-9-99	12
	7006 (50.100) Nut 3/8-24 1502-5-12-15-22-25-72-75-82-85-88-92-95-98	2
	376038 Pin (Arm to lifter channel stud) 1502-5-12-15-22-25-72-75-82-85-88-92-95-98	4
	7649 (50.300) Screw #8 x 3/8 binding hd. Type A 1502-5-12-15-22-25-72-75-82-85-88-92-95-98	2
	7478 (50.000) Screw 1/4-20 x 1/2 round hd. 1562-70-1-9-89-84-90-1	12
	372351 Stud (Arm to door inner panel pivot) 1502-5-12-15-22-25-72-75-82-85-88-92-95-98	2
	372352 Washer (Arm to door inner panel pivot stud) 1502-5-12-15-22-25-72-75-82-85-88-92-95-98	2
	3877 (50.200) Washer (Arm to door inner panel pivot stud) 1502-5-12-15-22-25-72-75-82-85-88-92-95-98	2
	376037 Washer (Arm to lifter channel stud pin) 1502-5-12-15-22-25-72-75-82-85-88-92-95-98	4
30.3863		ARM AND PIVOT ASSY., Front door window regulator	
	372348 Right 1502-12-22-72-82-92	1
	372349 Left 1502-12-22-72-82-92	1
30.3865		GUIDE ASSEMBLY, Front door window regulator arm roller	
	363710 Right 1532-42-50-51	1
	363711 Left 1532-42-50-51	1
	7142 (50.000) Screw 1/4-28 x 1/2	8
	5447 (50.230) Lockwasher 1/4	8
30.3867		PLATE, Front door window regulator arm roller guide	
	370420 1951-1502-5-12-5-22-5-72-5-82-5-8-92-5-8	2
30.387		BRACKET, Front door window regulator arm stop	
	325715 1579-89-99	2
	5772 (50.000) Screw #10-32 x 3/8 Rnd. hd.	4
	5818 (50.230) Lockwasher #10 Shakeproof	4
30.3872		CYLINDER ASSEMBLY, Front door window regulator	
	363883 1532-42-50-51	2
	7142 (50.000) Screw 1/4-28 x 1/2	8
	5447 (50.230) Lockwasher 1/4	8
	7004 (50.100) Nut 1/4-28	8

DOORS

30.3873 - 30.396

INDEX NO.	PART NO.	DESCRIPTION AND MODELS	PER CAR	INDEX NO.	PART NO.	DESCRIPTION AND MODELS	PER CAR
FRONT—WINDOW—Continued				FRONT—WINDOW—Continued			
30.3873		BRACKET, Front door window regulator cylinder attaching		30.390		PLATE, Front door window regulator handle escutcheon (Cont'd)	
	363646	Front right 1532-42-50-51	1		359424	(Green) 1584-9-99	2
	363647	Front left 1532-42-50-51	1		374509	(Brown) 1589-99	2
	363596	Rear right 1532-42-50-51	1		363370	(Maroon) 1589-99	2
	363597	Rear left 1532-42-50-51	1		359423	(Blue) 1589-99	2
	7142	(50.000) Screw 1/4-28 x 1/2	8		374326	1590-1	2
30.3874		CLAMP, Front door window regulator cylinder		30.391		SPRING, Front door window regulator handle escutcheon plate	
	363704	1532-42-50-51	4		133264	All models	2
30.3876		HOSE ASSEMBLY, Front door window regulator cylinder to front frame solenoid		30.392		INSERT, Front door window regulator handle	
	363875	1532-42-50-51	2		133339	1562-70-71-79-89-90-1-9	2
	300614	Union nut 5/16	2	30.393		ROD, Front door window regulator piston	
30.3877		GROMMET, Front door window regulator cylinder to front frame solenoid hose			363851	1532-42-50-51	2
	363878	1532-42-50-51	4		363949	Clip	2
30.38775		GEAR SECTOR AND LINK ASSY., Front door window regulator			366323	Plain washer	2
	376000	Right 1951	1	30.3935		SPRING, Front door window regulator retracting	
	376001	Left 1951	1		363874	1532-42-50-51	2
30.38777		PIVOT PIN, Front door window regulator gear sector		30.3936		SCREW, Front door window regulator retracting spring adjusting	
	376036	1951	2		363713	1532-42-50-51	2
30.3878		PLATE ASSEMBLY, Front door window regulator gear		30.3937		PLUG, Front door window regulator retracting spring adjusting screw	
	372990	1951	2		363879	1532-42-50-51	2
	372355	Screw 1951	8	30.3938		HOSE, Front door window regulator retracting spring silencer	
30.3879		PLATE AND LINK ASSEMBLY, Front door window regulator gear			363712	1532-42-50-51	2
	370270	Right 1951	1	30.394		GUIDE ASSEMBLY, Front door window regulator roller	
	370271	Left 1951	1		325714	1579-89-99	2
30.38795		SHAFT AND HOUSING ASSEMBLY, Front door window regulator gear			7477	(50.000) Screw 1/4-20 x 3/8 Rnd. hd.	6
	376026	1951	2		6611	(50.230) Lockwasher 1/4 shakeproof	6
30.38797		SHAFT ASSEMBLY, Front door window regulator handle		30.395		RIM, Front door window reveal finishing	
	376071	1951	2		370200	Right 1951	1
30.388		HANDLE, Front window regulator			372506	(Chrome) Right 1502-12-22-72-82-92	1
	372466	1951	2		▲380620	(Prime) Right 1502-12-22-72-82-92	1
	366671	(Blue) 1502-5-12-5	2		375172	Right 1505-15-25-75-85-8-95-8	1
	366672	(Gray) 1522-5-72-5	2		357442	Right 1532-42-50-1-62-70-1	1
	374503	(Gray) 1562-70-1	2		372507	(Chrome) Left 1502-12-22-72-82-92	1
	359236	(Blue) 1579	2		▲380621	(Prime) Left 1502-12-22-72-82-92	1
	363380	(Green) 1579	2		370201	Left 1951	1
	363382	(Maroon) 1579	2		375173	Left 1505-15-25-75-85-8-95-8	1
	374518	(Brown) 1579	2		357443	Left 1532-42-50-1-62-70-1	1
	372466	(Brown) 1582-5-8-92-5-8	2		372621	Clip 1951	7
	359425	(Green) 1584-9-99	2		375179	Clip 1502-5-12-5-22-5-72-5-82-5-8-92-5-8	14
	363609	(Blue) 1589-99	2		372619	Clip (end) 1951-1502-5-12-5-22-5-72-5-82-5-8-92-5-8	2
	374519	(Brown) 1589-99	2		6762	(50.002) Screw #4 x 3/8 1532-42-50-1-62-70-1	x
	363372	(Maroon) 1589-99	2	30.396		RUNWAY ASSEMBLY, Front door window	
	374327	1590-1	2		372637	Front 1951-1502-12-22-72-82-92	2
	132972	Pin	2		357567	Front 1532-42-50-1-62-70-1-84	2
	331591	Washer (Bakelite) 1562-70-1-9-84-9-99	2		375146	Lower & upper right 1505-15-25-75	1
30.390		PLATE, Front door window regulator handle escutcheon			375144	Lower & upper right 1585-8-95-8	1
	366678	(Blue) 1502-5-12-5	2		375147	Lower & upper left 1505-15-25-75	1
	366677	(Gray) 1522-5-72-5	2		375145	Lower & upper left 1585-8-95-8	1
	374501	(Gray) 1562-70-1	2		376788	(Chrome) Rear & upper right 1502-12-22-72	1
	363330	(Blue) 1579	2		▲375666	(Paint) Rear & upper right 1502-12-22-72	1
	363333	(Maroon) 1579	2		372802	Rear & upper right 1951-1582-92	1
	374508	(Brown) 1579	2		376789	(Chrome) Rear & upper left 1502-12-22-72	1
	363331	(Green) 1579	2		▲375667	(Paint) Rear & upper left 1502-12-22-72	1
	372465	(Brown) 1951-1582-5-8-92-5-8	2		372803	Rear & upper left 1951-1582-92	1
					357582	Rear lower 1532-42-50-1-62-70-1-84	2
					359468	Rear upper right 1532-42-50-1-62-70-1	1
					357578	Rear upper right 1584-90-1	1
					359469	Rear upper left 1532-42-50-1-62-70-1	1
					357579	Rear upper left 1584-90-1	1

▲Used on Clipper Four Door Sedans built after Jan. 1, 1942 only. All other body types have chrome trim.

INDEX NO.	PART NO.	DESCRIPTION AND MODELS	PER CAR
FRONT—WINDOW—Continued			
30.396		RUNWAY, ASSEMBLY, Front door window - Continued	
	328752	Rear right 1579-89-99	1
	328753	Rear left 1579-89-99	1
	6611 (50.230)	Lockwasher 1/4 shakeproof 1579-89-99	4
	5502	Lockwasher 1/4 1579-89-99	4
	3868 (50.200)	Plain washer 1/4 1579-89-99	4
	372147	Rivet 1502-5-12-5-22-5-72-5-82-5-8-92-5-8	4
	372970	Screw 1505-15-25-75-85-8-95-8	4
	6762 (50.025)	Screw #4 x 3/8 1532-42-50-1-62-70-1-84	x
	7491 (50.000)	Screw 1/4-28 x 3/8 1579-89-99	4
	7372 (50.003)	Screw 1/4-28 x 5/8 1579-89-99	4
30.397		CLIP, Front door window runway	
	372666	Rear 1951	2
30.398		RETAINER ASSEMBLY, Front door window runway	
	372052	(Chrome) Front right 1951-1502-12-22-72-82-92	1
	▲381012	(Paint) Front right 1502-12-22-72-82-92	1
	366796	Lower right 1505-15-25-75-85-8-95-8	1
	375134	Upper right 1532-42-50-1-62-70-1-84-90-1	1
	370078	Rear right 1951	1
	357854	Rear right 1532-42-50-1-62-70-1-84-90-1	1
	372053	(Chrome) Front left 1951-1502-12-22-72-82-92	1
	▲381013	(Paint) Front left 1502-12-22-72-82-92	1
	366797	Lower left 1505-15-25-75-85-8-95-8	1
	375135	Upper left 1505-15-25-75-85-8-95-8	1
	370079	Rear left 1951	1
	357855	Rear left 1532-42-50-1-62-70-1-84-90-1	1
	342483	Front 1532-42-50-1-62-70-1-84-90-1	2
30.39875		TIE BAR, Front door window runway retainer	
	375502	1505-15-25-75-85-88-95-98	2
	372970	Screw	4
30.3988		WEATHERSTRIP ASSEMBLY, Front door window runway front retainer and division	
	372794	Right 1951-1502-12-22-72-82-92	1
	372795	Left 1951-1502-12-22-72-82-92	1

FRONT—WINDOW WING

30.401		FRONT DOOR WINDOW WING ASSEMBLY	
	370274	(Chrome) Right 1951-1502-12-22-72-82-92	1
	▲381014	(Paint) Right 1502-12-22-72-82-92	1
	374284	Right 1505-15-25-75-85-8-95-8	1
	359740	Right 1532-42-50-1-62-70-1	1
	359742	Right 1579	1
	359648	Right 1584-90-1	1
	349438	Right 1589-99	1
	370275	(Chrome) Left 1951-1502-12-22-72-82-92	1
	▲381015	(Paint) Left 1502-12-22-72-82-92	1
	374285	Left 1505-15-25-75-85-8-95-8	1
	359741	Left 1532-42-50-1-62-70-1	1
	359743	Left 1579	1
	359649	Left 1584-90-1	1
	349439	Left 1589-99	1
	5502 (50.220)	Lockwasher 1/4 1579-89-99	2
	7004 (50.100)	Nut 1/4 - 28 1579-89-99	2
	3868 (50.200)	Plain washer 1/4 1579-89-99	2
	7649 (50.300)	Screw #8 - 3/8 1532-42-50-1-62-70-1-9-84-9-99	8
	7125 (50.003)	Screw 1/4-28 x 5/8 1579-89-99	2
30.404		GLASS, Front door window wing	
	370166	1951-1502-1-12-5-22-5-72-5-82-5-8-92-5-8	2
	357605	1532-42-50-1-62-70-1	2
	349425	1579-89-99	2
	357604	1584-90-1	2
30.406		CUSHION, Front door window wing glass	
	311439	1951-20th Sr.	x
	353194	1951-20th Sr.	x

INDEX NO.	PART NO.	DESCRIPTION AND MODELS	PER CAR
FRONT—WINDOW WING—Continued			
30.407		GLASS AND RETAINER ASSY., Front door window wing	
	379407	Right 1951	1
	376632	(Chrome) Right 1502-5-12-15-22-5-72-5-82-5-8-92-5-8	1
	▲381356	(Painted) Right 1502-12-22-72-82-92	1
	359478	Right 1532-42-50-1-62-70-1	1
	359498	Right 1584-90-1	1
	379408	Left 1951	1
	376633	(Chrome) Left 1502-5-12-15-22-5-72-5-82-5-8-92-5-8	1
	▲381357	(Painted) Left 1502-12-22-72-82-92	1
	359479	Left 1532-42-50-1-62-70-1	1
	359499	Left 1584-90-1	1
30.408		RETAINER AND PIVOT ASSEMBLY, Front door window wing glass	
	372774	(Chrome) Right 1951-1502-5-12-5-22-5-72-5-82-5-8-92-5-8	1
	▲380630	(Paint) Right 1502-12-22-72-82-92	1
	359552	Right 1532-42-50-1-62-70-1	1
	354552	Right 1579-89-99	1
	359550	Right 1584-90-1	1
	372775	(Chrome) Left 1951-1502-5-12-5-22-5-72-5-82-5-8-92-5-8	1
	▲380631	(Paint) Left 1502-12-22-72-82-92	1
	359553	Left 1532-42-50-1-62-70-1	1
	354553	Left 1579-89-99	1
	359551	Left 1584-90-1	1
30.4085		STRIKER PLATE, Front door window wing lock	
	372959	(Chrome) 1951-1502-5-12-5-22-5-72-5-82-5-8-92-5-8	2
	376246	Rivet	4
30.409		BRACKET, Front door window wing locking	
	353232	1584-90-1	2
	311431	Rivet-Tubular .142 x 5/32	4
30.410		HANDLE, Front door window wing locking	
	372798	(Chrome) Right 1951-1502-5-12-5-22-5-72-5-82-5-8-92-5-8	1
	▲374846	(Paint) Right 1502-12-22-72-82-92	1
	349042	Right 1584-90-1	1
	372799	(Chrome) Left 1951-1502-5-12-5-22-5-72-5-82-5-8-92-5-8	1
	▲374847	(Paint) Left 1502-12-22-72-82-92	1
	349043	Left 1584-90-1	1
	349055	Pin	4
	349054	Spring Washer	2
30.411		BRACKET, Front door window wing locking handle	
	349723	1584-90-1	2
	372694	Rivet	4
30.412		SHAFT, Front door window wing locking handle	
	372999	1951-1502-5-12-5-22-5-72-5-82-5-8-92-5-8	2
	349722	1584-90-1	2
30.413		PIVOT, Front door window wing	
	372670	Lower right (Female) 1951-1502-5-12-5-22-5-72-5-82-5-8-92-5-8	1
	372094	Lower right (Male) 1951-1502-5-12-5-22-5-72-5-82-5-8-92-5-8	1
	359098	Lower right 1532-42-50-1-62-70-1	1
	359096	Lower right 1584-90-1	1
	372671	Lower left (Female) 1951-1502-5-12-5-22-5-72-5-82-5-8-92-5-8	1
	372095	Lower left (Male) 1951-1502-5-12-5-22-5-72-5-82-5-8-92-5-8	1
	359099	Lower left 1532-42-50-1-62-70-1	1
	359097	Lower left 1584-90-1	1
	372842	Upper (Female) right 1951	1
	370552	Upper right (Female) 1502-5-12-5-22-5-72-5-82-5-8-92-5-8	1

▲Used on Clipper Four Door Sedans built after Jan. 1, 1942 only. All other body types have chrome trim.

INDEX NO.	PART NO.	DESCRIPTION AND MODELS	PER CAR	INDEX NO.	PART NO.	DESCRIPTION AND MODELS	PER CAR
FRONT—WINDOW WING—Continued				FRONT—WINDOW WING—Continued			
30.413	PIVOT, Front door window wing (Cont'd)			30.421	SPRING, Front door window wing regulator handle escutcheon plate		
	359060 Upper right 1532-42-50-1-62-70-1-84	1		133264 1579	2
	372843 Upper (Female) left 1951	1	30.4213	GASKET, Front door window wing regulator handle escutcheon plate		
	370553 Upper left (Female) 1502-5-12-5-22-5-72-5-82-5-8-92-5-8	1		366289 1532-42-50-51	2
	359061 Upper left 1532-42-50-1-62-70-1-84	1	30.422	INSERT, Front door window wing regulator handle		
	5861 (50.230) Lockwasher #8 shakeproof 1532-42-50-1-62-70-1-84	4		133339 1532-42-50-51-62-70-71-79-89-99	2
	7005 Nut 5/16-24 1505-15-25-75-85-8-95-8	2	30.425	BRACKET, Front door window wing regulator housing		
	372694 Rivet 1951-1502-5-12-5-22-5-72-5-82-5-8-92-5-8	4		359288 Right 1532-42-50-51-62-70-71	1
	380561 (50.300) Screw #7 x 3/8 tapping 1505-15-25-75-85-8-95-8	4		359289 Left 1532-42-50-51-62-70-71	1
	7430 (50.000) Screw #8-32 x 1/4 1532-42-50-1-62-70-1-84	4	30.431	DEFLECTOR, Front door window wing water		
	349054 Spring washer 1505-15-25-75-85-8-95-8	2		372172 Right 1951	1
	359011 Washer 1584-90-1	4		380468 Right 1502-5-12-5-22-5-72-5	1
	7068 Washer 3/8 (Lower spacer) 1502-5-12-5-22-25-72-75-82-85-88-90-91-92-95-98	x		359110 Right 1532-42-50-1-62-70-1-84	1
30.415	SPRING, Front door window wing pivot lower clamp				372173 Left 1951	1
	359010 1951	2		380469 Left 1502-5-12-5-22-5-72-5	1
	380486 1502-5-12-5-22-5-72-5-82-5-8-92-5-8	2		359111 Left 1532-42-50-1-62-70-1-84	1
30.416	BRACKET, Front door window wing pivot upper				7649 (50.300) Screw #8 x 3/8 tapping	4
	359266 Right 1532-42-50-51-62-70-71-84-90-1	1	30.4315	DEFLECTOR EQUIPMENT, Front door window wing water		
	359267 Left 1532-42-50-51-62-70-71-84-90-1	1		379137 Prime (contains one right and one left deflector) 1582-85-88-92-95-98	1
	311430 (50.425) Rivet	4	30.433	WEATHERSTRIP, Front door window wing		
30.4161	BRACKET, Front door window wing lower pivot				370400 Right 1951-1502-5-12-5-22-5-72-5-82-5-8-92-5-8	1
	359286 Right 1584-90-1	1		357794 Right front 1532-42-50-1-62-70-1	1
	359287 Left 1584-90-1	1		328968 Right front 1579	1
30.4163	STOP WASHER, Front door window wing pivot lower				354554 Right front (Top) 1579	1
	372703 (Upper) 1502-5-12-5-22-5-72-5-82-5-8-92-5-8	2		357796 Right 1584-90-1	1
	380430 (Lower) 1502-5-12-5-22-5-72-5-82-5-8-92-5-8	2		373821 Right top 1589-99	1
30.418	REGULATOR ASSEMBLY, Front door window wing				373568 Right side & bottom 1589-99	1
	359014 Right 1532-42-50-51-62-70-71	1		370401 Left 1951-1502-5-12-5-22-5-72-5-82-5-8-92-5-8	1
	366236 Right 1579	1		357795 Left front 1532-42-50-1-62-70-1	1
	359015 Left 1532-42-50-51-62-70-71	1		328969 Left front 1579	1
	366237 Left 1579	1		354555 Left front (top) 1579	1
	337946 Spacer Right 1579-89-99	1		357797 Left 1584-90-1	1
	325811 Spacer Left 1579-89-99	1		373569 Left top 1589-99	1
	359417 Screw 1/4-20 x 1-5/16 1532-42-50-51-62-70-71	4		373820 Left side & bottom 1589-99	1
	7335 (50.100) Nut 1/4 x 20 1532-42-50-51-62-70-71	4		359284 Rear 1532-42-50-1-62-70-1-84	2
	308769 Nut 1579	4	30.4335	WEATHERSTRIP, Front door window wing division channel		
	5502 (50.220) Lockwasher 1/4 1532-42-50-51-62-70-71-79	4		372026 Right 1951-1502-5-12-5-22-5-72-5-82-5-8-92-5-8	1
	5937 (50.200) Plain washer 1/4 1532-42-50-51-62-71-79	4		372027 Left 1951-1502-5-12-5-22-5-72-5-82-5-8-92-5-8	1
30.419	HANDLE, Front door window wing regulator			30.434	RETAINER ASSEMBLY, Front door window wing weatherstrip		
	370185 1951	2		372616 Right 1951	1
	374505 (Brown) 1532-42-50-1	2		380496 Right 1502-5-12-5-22-5-72-5-82-5-8-92-5-8	1
	374504 (Gray) 1562-70-1	2		363114 Right front 1532-42-50-1-62-70-1	1
	363598 (Blue) 1579	2		359736 Right 1584-90-1	1
	363838 (Green) 1579	2		372617 Left 1951	1
	363366 (Maroon) 1579	2		380497 Left 1502-5-12-5-22-5-72-5-82-5-8-92-5-8	1
	374522 (Brown) 1579	2		363115 Left front 1532-42-50-51-62-70-1	1
	132972 Pin 1579	2		359737 Left 1584-90-1	1
	353149 Screw 1532-42-50-1-62-70-1	2		357781 Rear 1532-42-50-1-62-70-1	2
	331591 Washer (Bakelite) 1532-42-50-1-62-70-1	2		372684 Screw #8 x 1/4 tapping	4
30.4205	PLATE, Front door window wing regulator handle escutcheon				7649 (50.300) Screw #8 x 3/8 tapping	10
	374507 (Brown) 1532-42-50-1	2		372771 Rivet	4
	374506 (Gray) 1562-70-1	2				
	363724 (Blue) 1579	2				
	363831 (Green) 1579	2				
	363723 (Maroon) 1579	2				
	374523 (Brown) 1579	2				

*Used on Clipper Four Door Sedans built after Jan. 1, 1942 only. All other body types have chrome trim.
 #Has smooth surface - no design.
 #Has Fleur-de-lis design.

INDEX NO.	PART NO.	DESCRIPTION AND MODELS	PER CAR	INDEX NO.	PART NO.	DESCRIPTION AND MODELS	PER CAR
REAR—PARTS				REAR—PARTS—Continued			
NOTE: For Rear Door Untrimmed Refer To Index Code 31.245							
30.438	MOULDING	Rear door belt		30.449	LOCK	Rear door (Cont'd)	
	370188	(Chrome) Right 1951-1502-12-22-72-82-92	1		370280	(Paint) Right 1951-1502-12-22-72-82-92	1
	*380566	(Prime) Right 1502-12-22-72-82-92	1		380168	(Chrome) Right 1522	1
	370189	(Chrome) Left 1951-1502-12-22-72-82-92	1		359002	Right 1532-42-50-51	1
	*380567	(Prime) Left 1502-12-22-72-82-92	1		359000	Right 1562-70-71-90-1	1
	359656	1532-42-50-51-62-70-71-84-90-1	2		342537	Right 1584	1
	372618	(50.600) Clip 1951	x		370281	(Paint) Left 1951-1502-12-22-72-82-92	1
	376497	Clip 1502-12-22-72-82-92	12		380169	(Chrome) Left 1522	1
	364327	Clip 1532-42-50-1-62-70-1-84-90-1	20		359003	Left 1532-42-50-51	1
					359001	Left 1562-70-71-90-1	1
					369347	Left 1584	1
					224887	Lockwasher 1/4	4
					5396	(50.230) Lockwasher 1/4	2
30.4380	BUMPER	Rear door			366233	(50.002) Screw 1/4-28 x 9/16	6
	331576	(Upper corner) 1532-42-50-51-62-70-71-90-1	2	NOTE: For Front Door Lock Handle Refer To Index Code 30.326			
30.4395	BUMPER	Rear door check stop bracket		30.450	HANDLE	Rear door lock	
	308248	1532-42-50-1-62-70-1-90-1	2		372870	(Chrome) Right 1951-1502-12-22-72-82-92	1
	194607	Rivet 9/64 x 7/16 tubular	4		*380660	(Paint) Right 1502-12-22-72-82-92	1
30.440	CHECK STRAP ASSEMBLY	Rear door			337252	Right (Key lock type) 1532-50-70-90	1
	372190	1951-1502-12-22-72-82-92	2		*342901	Right (Key lock type) 1590	1
	342260	1532-42-50-51-62-70-71-84-90-1	2		372871	(Chrome) Left 1951-1502-12-22-72-82-92	1
	372287	Pivot Pin 1951-1502-12-22-72-82-92	2		*380661	(Paint) Left 1502-12-22-72-82-92	1
	6651	Rivet	2		337124	Left 1532-50-70-90	1
30.441	BRACKET	Rear door check strap			*342905	Left 1590	1
	318583	1532-42-50-51-62-70-71-84-90-1	2		337124	1542-51-62-71-84	2
30.4412	BUMPER	Rear door check strap stop			337124	1591	2
	372091	1951-1502-12-22-72-82-92	2		*342905	1591	2
	349480	1532-42-50-51-62-70-71-84-90-1	2		6686	(50.230) Lockwasher #12	2
	370381	Retaining pin 1951-1502-12-22-72-82-92	2		372025	Screw #10-24 x 9/16 1951-1502-12-22-72-82-92	4
	370386	Retaining washer 1951-1502-12-22-72-82-92	2		372909	Screw (Shank) 1951-1502-12-22-72-82-92	2
	349481	(50.200) Washer	2		7470	(50.004) Screw #12-24 x 3/8 1532-42-50-1-62-70-1-84	2
30.445	STRIKER	Rear door dove tail			372914	Washer (Shank) 1951-1502-12-22-72-82-92	2
	325540	1532-42-50-51	2	30.451	CYLINDER LOCK	Rear door lock handle	
	314926	1562-70-71-84-90-1	2		337017	1520-32-50-70-90	1
	6873	(50.002) Screw 1/4-28 x 5/8	4		148842	Key (Not cut specify Key No.) 1951-1532-50-70-90	x
	5899	(50.230) Lockwasher 5/16	4	30.452	GASKET	Rear door lock handle	
30.446	HINGE ASSEMBLY	Rear door - upper			372576	1951-1502-12-22-72-82-92	2
	370594	Right 1951-1502-12-22-72-82-92	1		337638	(2-3/16" O.D.) 1532-42-50-1-62-70-1-84-90-1	2
	357462	Right 1532-42-62-84	1		349128	(1-3/8" O.D.) 1590-1	2
	357464	Right 1550-1-70-1-90-1	1	30.453	ROD	Rear door lock locking	
	370595	Left 1951-1502-12-22-72-82-92	1		357860	Right 1532-42-50-1-62-70-1-90-1	1
	357463	Left 1532-42-62-84	1		357861	Left 1532-42-50-1-62-70-1-90-1	1
	357465	Left 1550-1-70-1-90-1	1	30.4537	MECHANISM ASSEMBLY	Rear door lock locking rod control	
30.447	HINGE ASSEMBLY	Rear door - lower			376044	Right 1951-1502-12-22-72-82-92	1
	370596	Right 1951-1502-12-22-72-82-92	1		376045	Left 1951-1502-12-22-72-82-92	1
	349616	Right 1532-42-62-84	1	30.454	KNOB	Rear door lock locking rod	
	349614	Right 1550-1-70-1-90-1	1		342562	1951-1532-42-50-51-62-70-71-90-1	2
	370597	Left 1951-1502-12-22-72-82-92	1		380307	(Supersedes 363784) 1502-12-22-72-82-92	2
	349617	Left 1532-42-62-84	1	30.456	REMOTE CONTROL ASSEMBLY	Rear door lock	
	349615	Left 1550-1-70-1-90-1	1	NOTE: For Rear Door Lock Refer To Index Code 30.449.			
30.4470	SCREW	Rear door hinge assembly			372360	Right 1951-1502-12-22-72-82-92	1
	6932	(50.025) 5/16-18 x 1/2 1532-42-50-51-62-70-71-84-90-1	24		342558	Right 1532-42-50-51-62-70-71-90-1	1
	372390	(To door) 1951-1502-12-22-72-82-92	12		374760	Right 1584	1
	372391	(To body) 1951-1502-12-22-72-82-92	12		372361	Left 1951-1502-12-22-72-82-92	1
	376243	(To body - Inside of pillar) 1502-12-22-72-82-92	4		342559	Left 1532-42-50-51-62-70-71-90-1	1
	5385	(50.230) Lockwasher 5/16 shakeproof	24		374761	Left 1584	1
30.448	PIN	Rear door hinge			328663	(50.150) Clinch nut 1/4-20	6
	372002	1951-1502-12-22-72-82-92	4		7478	(50.000) Screw 1/4-20 x 1/2	6
	351357	(Std.) 1532-42-50-51-62-70-71-90-1	4		8084	(50.000) Screw 1/4-20 x 7/8 1584	3
	351358	(.005 over) 1532-42-50-51-62-70-71-90-1	4		5502	(50.220) Lockwasher 1/4 1584	3
30.449	LOCK	Rear Door					
NOTE: For Rear Door Lock Remote Control Assy. Refer To Index Code 30.456. For Front Door Lock Index Code 30.319							

Used on Clipper Four Door Sedans built after Jan. 1, 1942 only. All other body types have chrome trim.
 Has smooth surface - no design.
 Has Fleur-de-lis design.

DOORS

30.456 - 30.4810

INDEX NO.	PART NO.	DESCRIPTION AND MODELS	PER CAR
REAR—PARTS—Continued			
30.456		REMOTE CONTROL ASSEMBLY, Rear door lock (Cont'd)	
	6699 (50.230)	Lockwasher 1/4 shakeproof	6
	7304 (50.100)	Nut 1/4-20 1584	3
	369352	Spacer (Lower) 1584	1
	369351	Spacer (Upper) 1584	1
30.457		HANDLE, Rear door lock remote control	
	374770 (Paint)	1502-12-22-72	2
	▲374770 (Paint)	1502-12-22-72-82-92	2
	245197	1532-42-50-1-62-70-1	2
	370184 (Chrome)	1951-1582-92	2
	342207	1584-90-1	2
	132972	Pin	2
30.459		ESCUTCHEON PLATE, Rear door lock remote control handle	
	366678 (Blue)	1502-12	2
	366677 (Gray)	1522-72	2
	374502	1532-42-50-1	2
	374501	1562-70-1	2
	372465 (Brown)	1951-1582-92	2
	359424	1584	2
	374326	1590-1	2
30.460		SPRING, Rear door lock remote control handle escutcheon plate	
	133264	1951-1532-42-50-51-62-70-71-84-90-1	2
30.461		INSERT, Rear door lock remote control handle	
	133339	1532-42-50-51-62-70-71-84-90-1	2
30.463		EXTENSION, Rear door lock remote control connecting link	
	357867	1532-42-50-51-62-70-71-84-90-1	2
	7478 (50.000)	Screw 1/4-20 x 1/2	2
	6699 (50.230)	Lockwasher 1/4	2
30.464		ANTI-RATTLER, Rear door lock remote control link	
	325531	1532-42-50-51-62-70-71-84-90-1	2
30.465		STRIKER AND DOVE TAIL ASSEMBLY, Rear door lock	
	357739	1532-42-50-51	2
	357738	1562-70-71-84-90-1	2
	7481 (50.001)	Screw 1/4-28 x 3/4	4
	5396 (50.230)	Lockwasher 1/4	4
<i>NOTE: For Dovetail Striker Refer To Index Code 30.445, Door Lock Striker Index Code 30.466</i>			
30.466		STRIKER, Rear door lock	
	372940 (Paint)	Right 1951-1502-12-22-72-82-92	1
	380164 (Chrome)	Right 1522	1
	372941 (Paint)	Left 1951-1502-12-22-72-82-92	1
	380165 (Chrome)	Left 1522	1
	376698 (Chrome)	Screw 1522	6
30.467		SHIM, Rear door lock striker	
	376225 (Thin)	1951-1502-12-22-72-82-92	x
	376224 (Thick)	1951-1502-12-22-72-82-92	x
	359622	1532-42-50-51-62-70-71-84-90-1	x
30.4679		HANDLE, Rear door pull to	
	372706 (Chrome)	(Less brackets) 1522	2
	374774 (Paint)	(Less brackets) 1522	2
	372711 (Chrome)	(Complete) 1522	2
	374777 (Paint)	(Complete) 1522	2
	369170	1584	2
	8072	Screw #8-32 x 3/8 1522	4
	5861	Washer 1522	4
	6914	Screw #10 x 1 1584	4
30.46798		ESCUTCHEON, Rear door pull to strap	
	372723 (Chrome)	1522	1
	374776 (Paint)	1522	1

INDEX NO.	PART NO.	DESCRIPTION AND MODELS	PER CAR
REAR—PARTS—Continued			
30.469		WEATHERSTRIP, Rear door	
	376570 (Lower right)	1502-12-22-72-82-92	1
	372114 (Hinge side and lower right)	1951	1
	376574 (Hinge side right)	1502-12-22-72-82-92	1
	372112 (Lock side & Upper right)	1951-1502-12-22-72-82-92	1
	376571 (Lower left)	1502-12-22-72-82-92	1
	372115 (Hinge side and lower left)	1951	1
	376575 (Hinge side left)	1502-12-22-72-82-92	1
	372113 (Lock side & Upper left)	1951-1502-12-22-72-82-92	1
	349604 (Lower)	1532-42-50-51-62-70-71-84-90-1	2
	349605 (Upper)	1532-42-50-51-62-70-71-84-90-1	2
	8077 (50.300)	Screw (hinge side) #8 x 1/2 1502-12-22-72-82-92	12
REAR—WINDOW			
30.479		DUST SEAL, Rear door window	
	376724 (Chrome)	Right (Inner) 1502-12-22-72	1
	▲375658 (Paint)	Right (Inner) 1502-12-22-72	1
	372204	Right (Inner) 1951-1582-92	1
	376692 (Chrome)	Right (Outer) 1502-12-22-72	1
	▲375660 (Paint)	Right (Outer) 1502-12-22-72	1
	372206	Right (Outer) 1951-1582-92	1
	376725 (Chrome)	Left (Inner) 1502-12-22-72	1
	▲375659 (Paint)	Left (Inner) 1502-12-22-72	1
	372205	Left (Inner) 1951-1582-92	1
	376693 (Chrome)	Left (Outer) 1502-12-22-72	1
	▲375661 (Paint)	Left (Outer) 1502-12-22-72	1
	372207	Left (Outer) 1951-1582-92	1
	357572	1532-42-50-1-62-70-1	4
	357572	1584	2
	384256	1590-1	4
	376506	Clip 1502-12-22-72-82-92	10
	337871	Clip 1532-42-50-1-62-70-1-84	20
30.480		MOULDING, Rear door window finishing - right	
	370182	1951	1
	376734	1502-12	1
	376722	1522	1
	359596	1532	1
	359594	1542	1
	359592	1550-1	1
	374528 (Cloth trim)	1562	1
	374530 (Leather trim)	1562	1
	374524 (Cloth trim)	1570-1	1
	374526 (Leather trim)	1570-1	1
	376738	1572	1
	376730	1582-92	1
	374670	1584	1
	374338	1590-1	1
30.481		MOULDING, Rear door window finishing left	
	370183	1951	1
	376735	1502-12	1
	376723	1522	1
	359597	1532	1
	359595	1542	1
	359593	1550-1	1
	374529 (Cloth trim)	1562	1
	374531 (Leather trim)	1562	1
	374525 (Cloth trim)	1570-1	1
	374527 (Leather trim)	1570-1	1
	376739	1572	1
	376731	1582-92	1
	374671	1584	1
	374339	1590-1	1
30.4810		SCREW, Rear door window finishing moulding	
	372444	Screw #8 x 7/8 1951	12
	342860	#8 x 7/8 1502-12-22-72-82-92	12
	342861	#8 x 1-1/8 spl. #6 hd. 1532-42-50-51-62-70-71-84-90-1	14

Used on Clipper Four Door Sedans built after Jan. 1, 1942 only. All other body types have chrome trim.

DOORS

INDEX NO.	PART NO.	DESCRIPTION AND MODELS	PER CAR	INDEX NO.	PART NO.	DESCRIPTION AND MODELS	PER CAR
REAR—WINDOW—Continued				REAR—WINDOW—Continued			
30.4810	SCREW,	Rear door window finishing moulding(Cont'd)		30.5005	CUSHION,	Rear door window lifter glass (Everseal) (Cont'd)	
	366442	Clip 1562-70-71-84-90-1	14		366354	(.060 x 1-1/4) 1532-42-50-51-62-70-71-84-90-1	x
	359653	Clip (Cord welt) 1562-70-71-90-1	16		311439	(.070 x 1-1/4) 1532-42-50-51-62-70-71-84-90-1	x
	359652	Clip (Cord welt upper corner) 1562-70-71-90-1	4		366355	(.080 x 1-1/4) 1532-42-50-51-62-70-71-84-90-1	x
	235771	Ferrule #6 1532-42-50-51	14		353194	(.086 x 1-1/4) 1532-42-50-51-62-70-71-84-90-1	x
30.4815	TRIM STRIP,	Rear door window finishing moulding			314804	(.060 x 1-3/4) 1584	x
	376610	(Chrome) 1502-12-72	2		314805	(.070 x 1-3/4) 1951-1584	x
	▲380645	(Paint) 1502-12-72	2		357601	(.080 x 1-3/4) 1951-1584	x
	376609	(Chrome) 1522	4	30.502	REGULATOR ASSEMBLY,	Rear door window	
	▲380644	(Paint) 1522	4		370272	Right 1951-1502-12-22-72-82-92	1
30.4818	PLATE,	Rear door window finishing moulding trim strip end			357638	Right 1562-70-1-84-90-1	1
	374406	(Chrome) Right 1502-12-22-72	2		370273	Left 1951-1502-12-22-72-82-92	1
	▲380640	(Paint) Right 1502-12-22-72	2		357639	Left 1562-70-1-84-90-1	1
	374407	(Chrome) Left 1502-12-22-72	2		363870	1532-42-50-1	2
	▲380641	(Paint) Left 1502-12-22-72	2		7649	Screw #8 x 3/8 1951	2
	364121	Nut	12		372355	Screw 1951	8
30.489	GLASS,	Rear door window			5419	Screw 1/4-28 x 3/8 rnd. hd. 1532-42-50-1	8
	370041	1951-1502-12-22-72-82-92	2		7478	Screw 1/4-20 x 1/2 rnd. hd. 1562-70-1-84	6
	357616	1532	2		5447	(50.230) Lockwasher 1/4 external 1532-42-50-1	8
	357614	1542-62	2		6699	(50.230) Lockwasher 1/4 shakeproof 1562-70-1-84	6
	357615	1550-1-70-1	2	30.5025	BRACKET,	Rear door window regulator arm pivot	
	365468	1584	2		363648	Right 1532-42-50-51	1
	374342	1590-1	2		363649	Left 1532-42-50-51	1
30.4916	FRAME,	Rear door window glass			220964	Clinch nut 1/4-28	8
	369054	Right 1584	1	30.5026	STUD,	Rear door window regulator arm pivot	
	369185	Left 1584	1		363889	1532-42-50-51	2
	8050	(50.002) Screw (To lifter) #8-32 x 1/4	4		7585	Nut 3/8-24	2
30.492	GLASS AND FRAME ASSEMBLY,	Rear door window			6597	(50.230) Lockwasher 3/8 external	2
	365572	Right 1584	1		363888	Washer Slotted	2
	365573	Left 1584	1		3877	(50.200) Washer 3/8 plain	2
30.495	GLASS AND LIFTER ASSEMBLY,	Rear door window		30.5027	GUIDE ASSEMBLY,	Rear door window regulator arm roller	
	370162	Right 1951-1502-12-22-72-82-92	1		363690	Right 1532-42-50-51	1
	925383	Right 1532	1		363691	Left 1532-42-50-51	1
	925240	Right 1542	1		5447	(50.230) Lockwasher 1/4 external	8
	925418	Right 1550-1	1		5419	(50.000) Screw 1/4-28 x 3/8 rnd. hd.	8
	925381	Right 1562	1	30.5032	CYLINDER ASSY.,	Rear door window regulator	
	925377	Right 1570-1-90-1	1		363883	1532-42-50-51	2
	370163	Left 1951-1502-12-22-72-82-92	1		7142	(50.000) Screw 1/4-28 x 1/2 rnd. hd.	8
	925384	Left 1532	1		5447	(50.230) Lockwasher 1/4 external	8
	925419	Left 1542	1		7004	(50.100) Nut	8
	925417	Left 1550-1	1	30.50325	BRACKET,	Rear door window regulator	
	925382	Left 1562	1		363594	Front right & rear left 1532-42-50-1	2
	925378	Left 1570-1-90-1	1		363595	Front left & rear right 1532-42-50-1	2
30.4957	STOP,	Rear door window glass			7142	Screw 1/4-28 x 1/2 rnd. hd.	8
	370380	(Before adding rubber) 1951	2	30.5033	CLAMP,	Rear door window regulator cylinder	
	370378	1951-1502-12-22-72-82-92	2		363704	1532-42-50-51	4
	372211	Screw	2	30.5034	HOSE ASSY.,	Rear door window regulator cylinder to rear pillar solenoid	
30.4958	SUPPORT,	Rear door window glass stop			363715	1532-42-50-51	2
	370479	1951-1502-12-22-72-82-92	2		358899	(50.600) Clip	2
	376237	Screw	x		7417	(50.300) Screw #8 x 1/2 tapping	2
30.500	LIFTER ASSEMBLY,	Rear door window			300614	Union nut 5/16	2
	370436	Right 1951-1502-12-22-72-82-92	1		6387	(50.200) Washer #8 plain	2
	363708	Right 1532-42-50-1	1	30.5035	GROMMET,	Rear door window regulator cylinder to rear pillar solenoid hose	
	357624	Right 1562-70-1-90-1	1		363878	1532-42-50-51	4
	369056	Right 1584	1	30.504	HANDLE,	Rear door window regulator	
	370437	Left 1951-1502-12-22-72-82-92	1		366671	(Blue) 1502-12	2
	363709	Left 1532-42-50-1	1		366672	(Gray) 1522-72	2
	357625	Left 1562-70-1-90-1	1		374503	1562-70-1	2
	369057	Left 1584	1		372466	(Brown) 1951-1582-92	2
30.5005	CUSHION,	Rear door window lifter glass (Everseal)			359425	1584	2
	376162	(.060) 1502-12-22-72-82-92	x		374327	1590-1	2
	376163	(.070) 1502-12-22-72-82-92	x		132972	Pin	2
	376249	(.080) 1502-12-22-72-82-92	x		331591	Washer 1542-50-1-62-70-1-84	2

▲ Used on Clipper Four Door Sedans built after Jan. 1, 1962 only. All other body types have chrome trim.

INDEX NO.	PART NO.	DESCRIPTION AND MODELS	PER CAR	INDEX NO.	PART NO.	DESCRIPTION AND MODELS	PER CAR
REAR—WINDOW—Continued				REAR—WINDOW—Continued			
30.5055	PLATE	Rear door window regulator handle escutcheon		30.510	RETAINER ASSEMBLY	Rear door window runway	
	366678	(Blue) 1502-12	2	370078	Front right	1951-1502-12-22-72-82-92	1
	366677	(Gray) 1522-72	2	357855	Front right	1532-42-50-1-70-1-84-90-1	1
	374501	1562-70-1	2	372046	Rear right	1951	1
	372465	(Brown) 1951-1582-92	2	376270	(Chrome) Rear right	1502-12-22-72-82-92	1
	359424	1584	2	▲380102	(Paint) Rear right	1502-12-22-72-82-92	1
	374326	1590-1	2	357856	Rear right	1532-42-50-1-70-1-84-90-1	1
30.506	SPRING	Rear door window regulator handle escutcheon plate		370079	Front left	1951-1502-12-22-72-82-92	1
	133264	1951-1502-12-22-72-82-92	2	357854	Front left	1532-42-50-1-70-1-84-90-1	1
	359053	1542-50-1-62-70-1-84	2	376271	(Chrome) Rear left	1502-12-22-72-82-92	1
30.5072	ROD	Rear door window regulator cylinder piston		372047	Rear left	1951	1
	363852	1532-42-50-51	2	▲380103	(Paint) Rear left	1502-12-22-72-82-92	1
	363949	Clip	2	357857	Rear left	1532-42-50-1-70-1-84-90-1	1
	366323	Washer plain	2	30.5101	SHIM	Rear door window runway	
30.5074	SPRING	Rear door window regulator retracting		366147	1550-51-70-71-90-1		x
	363874	1532-42-50-51	2	30.5105	WEATHERSTRIP ASSEMBLY	Rear door window runway rear retainer and division	
30.5075	SCREW	Rear door window regulator retracting spring adjusting		372800	Right	1951-1502-12-22-72-82-92	1
	363713	1532-42-50-51	2	372801	Left	1951-1502-12-22-72-82-92	1
30.5076	PLUG	Rear door window regulator retracting spring adjusting screw		REAR—WINDOW WING			
	363879	1532-42-50-51	2	30.550	WINDOW WING ASSEMBLY	Rear door	
30.5077	HOSE	Rear door window regulator retracting spring silencer		370276	(Chrome) Right	1951-1502-12-22-72-82-92	1
	363712	1532-42-50-51	2	▲381010	(Paint) Right	1502-12-22-72-82-92	1
30.508	RIM	Rear door window reveal finishing		370277	(Chrome) Left	1951-1502-12-22-72-82-92	1
	372530	(Chrome) Right 1951-1502-12-22-72-82-92	1	▲381011	(Paint) Left	1502-12-22-72-82-92	1
	▲380690	(Prime) Right 1502-12-22-72-82-92	1	30.5503	WEATHERSTRIP ASSY.	Rear door window wing division	
	357454	Right 1532	1	372036	Right	1951-1502-12-22-72-82-92	1
	357452	Right 1542-62	1	372037	Left	1951-1502-12-22-72-82-92	1
	357450	Right 1550-1-70-1	1	30.5505	DEFLECTOR	Rear door window wing draft	
	372531	(Chrome) Left 1951-1502-12-22-72-82-92	1	376150	Right	1951	1
	▲380691	(Prime) Left 1502-12-22-72-82-92	1	380050	Right	1502-12-82-92	1
	357455	Left 1532	1	380052	Right	1522-72	1
	357453	Left 1542-62	1	376151	Left	1951	1
	357451	Left 1550-1-70-1	1	380051	Left	1502-12-82-92	1
	375179	Clip 1502-12-22-72-82-92	14	380053	Left	1522-72	1
	372619	Clip (end) 1502-12-22-72-82-92	2	30.5506	GROMMET	Rear door window wing draft deflector end	
	6762	(50.025) Screw #4 x 3/8 flat hd. 1532-42-50-1-62-70-1	x	372916	(Lower)	1951-1502-12-22-72-82-92	2
30.5081	COVER	Rear door window reveal finishing rim joint		372920	(Upper-right)	1951-1502-12-22-72-82-92	1
	359624	1532-42-50-51-70-71	2	372921	(Upper-left)	1951-1502-12-22-72-82-92	1
30.509	RUNWAY ASSEMBLY	Rear door window		30.5507	BRACKET	Rear door window wing draft deflector division bar attaching	
	376790	(Chrome) Upper & front right 1502-12-22-72 ..	1	372797	1951-1502-12-22-72-82-92		4
	▲375674	(Paint) Upper & front right 1502-12-22-72 ..	1	8048	(50.300) Screw #4 x 5/8 1502-12-22-72-82-92		4
	372804	Upper & front right 1951-1582-92	1	372988	Screw #4 x 5/8 1951		4
	359464	Upper right 1532	1	30.551	GLASS	Rear door window wing	
	359482	Upper right 1542-62	1	370396	1951-1502-12-22-72-82-92		2
	357588	Upper right 1550-1-70-1	1	30.5515	GLASS AND RETAINER ASSY.	Rear door window wing	
	369186	Upper right 1584	1	376634	(Chrome) Right	1502-12-22-72-82-92	1
	374258	Upper right 1590-1	1	▲381358	(Painted) Right	1502-12-22-72-82-92	1
	376791	(Chrome) Upper & front left 1502-12-22-72 ..	1	376635	(Chrome) Left	1502-12-22-72-82-92	1
	▲375675	(Paint) Upper & front left 1502-12-22-72	1	▲381359	(Painted) Left	1502-12-22-72-82-92	1
	372805	Upper & front left 1951-1582-90	1	30.552	CUSHION	Rear door window wing glass	
	359465	Upper left 1532	1	311429	(.070 x 1-1/4 everseal) 1951-1502-12-22-72-82-92		x
	359483	Upper left 1542-62	1	353194	(.086 x 1-1/4 everseal) 1951-1502-12-22-72-82-92		x
	357589	Upper left 1550-1-70-1	1	30.5525	RETAINER	Rear door window wing glass	
	369187	Upper left 1584	1	372780	(Chrome) Right	1951-1502-12-22-72-82-92	1
	374259	Upper left 1590-1	1	▲381004	(Paint) Right	1502-12-22-72-82-92	1
	357582	Lower 1532-42-50-1-70-1-84	4	372781	(Chrome) Left	1951-1502-12-22-72-82-92	1
	372638	Rear 1951-1502-12-22-72-82-92 ..	2	▲381005	(Paint) Left	1502-12-22-72-82-92	1
	6762	(50.025) Screw #4 x 3/8 flat hd.	x				
	372147	Rivet 1951-1502-12-22-72-82-92 ..	2				
	372666	Clip 1951	2				

▲Used on Clipper Four Door Sedans built after Jan. 1, 1942 only. All other body types have chrome trim.

INDEX NO.	PART NO.	DESCRIPTION AND MODELS	PER CAR
REAR—WINDOW WING—Continued			
30.5527	HANDLE	Rear door window wing lock	
	372798	(Chrome) Right 1951-1502-12-22-72-82-92	1
	*374846	(Paint) Right 1502-12-22-72-82-92	1
	372799	(Chrome) Left 1951-1502-12-22-72-82-92	1
	*374847	(Paint) Left 1502-12-22-72-82-92	1
	349055	Groove pin	2
	349054	Spring Washer	2
30.5528	SHAFT	Rear door window wing lock handle	
	372999	1951-1502-12-22-72-82-92	2
30.5529	BRACKET	Rear door window wing lock handle	
	372694	(50.694) Rivet (to glass retainer) 1951-1502-12-22-72-82-92	4
30.55290	PLATE	Rear door window wing lock striker	
	372959	1951-1502-12-22-72-82-92	2
	376246	Rivet (To weatherstrip retainer)	4
30.553	PIVOT	Rear door window wing lower	
	372537	(Male) 1951-1502-12-22-72-82-92	2
	372814	(Female)- Right) 1951-1502-12-22-72-82-92	1
	372815	(Female - Left) 1951-1502-12-22-72-82-92	1
	7005	Nut	2
	376246	Rivet (to division bar)	4
	372694	Rivet (to glass retainer)	4
	380486	Spring 1502-12-22-72-82-92	2
	359010	Spring 1951	2
	7068	Washer 3/8	x
	372837	Washer upper	2
	380429	Washer lower	2
30.5535	STUD	Rear door window wing pivot - upper	
	372697	1951-1502-12-22-72-82-92	2
	372702	Lockwasher	2
30.5537	BUSHING	Rear door window wing pivot upper stud	
	372696	1951-1502-12-22-72-82-92	2
30.560	WEATHERSTRIP	Rear door window wing	
	370402	Right 1951-1502-12-22-72-82-92	1
	370403	Left 1951-1502-12-22-72-82-92	1
30.562	RETAINER ASSEMBLY	rear door window wing weatherstrip	
	372532	Right 1951	1
	380498	Right 1502-12-22-72-82-92	1
	372533	Left 1951	1
	380497	Left 1502-12-22-72-82-92	1
	372684	Screw #8 x 1/4	4

INDEX NO.	PART NO.	DESCRIPTION AND MODELS	PER CAR
CABLES			
30.600	CABLE ASSEMBLY	Electrical body feed	
	380016	LHD 1502-12	1
	375257	1505-15-75	1
	380011	1522	1
	375067	1525	1
	366492	1532	1
	366487	1542	1
	366501	1550	1
	366502	1551	1
	366483	1562	1
	366498	1570	1
	366496	1571	1
	380016	1572	1
	380019	1582-92	1
	369111	1584	1
	375053	1585-8-95-8	1
	359562	1590	1
	359561	1591	1
	380559	RHD 1502-12	1
30.6001	CONNECTOR TIP	Electrical body feed cable (male)	
	354696	1532-42-50-51-62-70-71-90-91	2
30.6003	TERMINAL	Electrical body feed cable	
	225377	(50.925) (11/64 eye) 1532	2
	71397	(50.925) (11/64 eye) 1532-42-50-1-62-70-1-90-1	1
	366607	(50.925) (5/32 eye) 1542-50-1-62-70-1-90-1	2
30.6004	INSULATOR	Electrical body feed cable terminal	
	36111	(50.935) 1532	3
30.601	WIRING SET	Electrical body	
	380015	LHD 1502-12	1
	375051	1505-15-75	1
	380010	1525	1
	375052	1525	1
	366516	1532	1
	366480	1542	1
	366493	1550	1
	366494	1551	1
	366484	1562	1
	366489	1570	1
	366490	1571	1
	380015	1572	1
	366495	1579-89-99	1
	380018	1582-92	1
	374672	1584	1
	375050	1585-8-95-8	1
	374346	1590	1
	374347	1591	1
	380558	RHD 1502-12	1
CIGAR LIGHTER			
30.604	BASE	Ash tray cigar lighter	
	375447	(Chrome) 1502-5-12-15-22-72-75	x
	359894	1525-32-42-62	2
30.605	KNOB AND TIP	Ash tray cigar lighter	
	359893	(Chrome knob) 1502-5-12-15-22-72-75	1
	375831	(Ivory tenite knob) 1502-5-12-15-22-25-72-75	x
	359893	1525-32-42-50-1-62-70-1-90-1	2
30.608	TIP	Ash tray cigar lighter	
	232380	20th Sr.	x
30.609	CABLE ASSEMBLY	Ash tray cigar lighter to body feed cable extension	
	375298	1505-15-25-75	x
	243571	1532-42-50-1-62-70-1-90-1	2
30.6090	TIP	Ash tray cigar lighter to body feed cable extension cable connector	
	354696	(Male) 1532-42-50-51-62-70-71-90-1	2
	240668	(Female) 1532-42-50-51-62-70-71-90-1	2

*Used on Clipper Four Door Sedans built after Jan. 1, 1942 only. All other body types have chrome trim.

INDEX NO.	PART NO.	DESCRIPTION AND MODELS	PER CAR	INDEX NO.	PART NO.	DESCRIPTION AND MODELS	PER CAR
CIGAR LIGHTER—Continued				DICTOGRAPH			
30.6093		INSULATOR, Ash tray cigar lighter to body feed cable terminal		30.612		RECEIVER, Dictograph	
	36111 (50.935)	1532-42-50-51-62-70-71-90-1	2	359817	1550-70	1
30.610		CABLE ASSY., Ash tray cigar lighter to ground		7439	(50.000)	Screw #10-32 x 3/4 rnd. hd.	3
	325826	1505-15-25-32-42-50-1-62-70-1-5-90-91	x	5500	(50.220)	Lockwasher #10	3
	375470	(Front seat back) 1522	1	7003	(50.100)	Nut #10-32	3
	7649	(50.300) Screw #8 x 3/8 tapping	x	30.613		BRACKET, Dictograph receiver attaching	
	3866	Washer 3/16	x	359818	1550-70	1
30.6110		CLIP, Ash tray cigar lighter to ground cable		5504	(50.220)	Lockwasher 5/16	1
	171863	(50.600) 1532-42-50-51-62-70-71-90-1	2	7005	(50.100)	Nut 5/16-24	1
30.6111		TERMINAL, Ash tray cigar lighter to ground cable		7380	(50.003)	Screw 5/16-24 x 3/4 hex. hd.	1
	33287	(50.925) (13/64 eye) 1532-42-50-51-62-70-71-90-1	2	30.6131		PLATE, Dictograph receiver attaching bracket	
30.61115		RETAINER ASSY., Front seat back cigar lighter		363126	1550-70	1
	380068	(Chrome) 1502-12-22-72	1	30.614		TRANSMITTER, Dictograph	
	380614	(Paint) 1502-12-22-72	1	359815	1550-70	1
	380461	Spacer 1502-12-72	2	30.616		WINDER, Dictograph	
	380462	Spacer 1522	1	359816	1550-70	1
COURTESY LIGHT					7431	(50.000) Screw #8 -32 x 5/16 rnd. hd.	2
30.61125		COURTESY LIGHT, Electrical		5225	(50.220)	Lockwasher #8	2
	376142	(Front) 1951-1502-5-12-15-22-25-72-75	2	30.6165		CABLE, Dictograph winder to receiver	
	366482	(Front) 1532-42-50-1-62-70-1-9-89-99	2	326351	1550-70	1
	375099	(Chrome) (Back of front seat) 1522	2	30.618		BRACKET ASSEMBLY, Dictograph winder	
	374785	(Paint) (Back of front seat) 1522	2	326342	1550-70	1
	376351	(50.000) Screw 1502-12-22-72	2	314151	(50.150)	Clinch nut #8-32	2
	7983	(50.000) Screw #8-32 x 1/2 1505-15-25-75	2	7649	(50.300)	Screw #8 x 3/8 tapping	4
	7775	Screw #8-32 x 5/16 rnd. hd. 1532-42-50-1-62-70-1-9-89-99	2	30.620		CABLE ASSY., Dictograph winder to ground	
	8134	Screw #4 x 3/4 (Front seat back) 1522	8	326352	1550-70	1
30.6113		CABLE ASSY., Electrical courtesy light (front)		30.6201		TERMINAL, Dictograph winder to ground cable	
	372527	(To body fuse) 1502-5-12-15-22-25-72-75	1	33287	(50.925)	11/64 eye 1550-70	1
	366476	(To body fuse) 1532-42-50-1-62-70-1-9-89-99	1	7649	(50.300)	Screw #8 x 3/8 tapping	1
	372528	(To pillar switch) 1502-5-12-15-22-25-72-75	1	3866	(50.200)	Washer 3/16 plain	1
	366478	(To pillar switch) 1532-42-50-1-62-70-1-9-89-99	1	DOME LIGHT			
	373368	Connector 1502-5-12-15-22-25-72-75	4	30.622		LIGHT ASSEMBLY, Electrical dome	
30.61135		BRACKET, Electrical courtesy light		337113	Front 1532-50-70-90	1
	376125	1951-1502-5-12-5-22-5-72-5	1	372757	(Chrome) Rear 1951-1502-5-12-15-25-72-75	1
30.6114		BULB, Electrical courtesy light		▲380639	(Paint) Rear 1502-12-72	1
	56973	(6 volt-double contact - Mazda #82) 1951-1502-5-12-15-22-25-72-75	2	337113	Rear 1532	1
	102590	(3 CP Mazda #63) 1532-42-50-51-62-70-71-79-89-99	2	337114	Rear 1550-70-90	1
30.6116		GLASS AND RIM, Electrical courtesy light		375099	(Chrome) Rear 1582-85-88-92-95-98	1
	366482	1532-42-50-51-62-70-71-79-89-99	2	▲374785	(Paint) Rear 1582-92	1
30.6117		REFLECTOR, Electrical courtesy light		359455	Rear - Center 1584	1
	366513	1532-42-50-51-62-70-71-79-89-99	2	369171	Partition - Front 1584	1
30.6118		SWITCH, Electrical courtesy light		337113	1542-51-62-71-91	1
	372477	(Door operating) 1951	2	7245	Screw #4 x 1/2 1951	4
	376784	(Front door operated) 1502-5-12-5-22-5-72-5	2	7545	Screw #4 x 1/2 (Rear) 1584	4
	342165	(Front door operated) 1532-42-50-51-62-70-71-79-89-99	2	4805	Woodscrew #4 x 1/2 (Partition) 1584	4
	376784	(Rear door operated) 1522	2	4956	Woodscrew #4 x 3/4 1584	2
	7794	Screw #4 x 1/2 tapping (to pillar) 1532-42-50-51-62-70-71-79-89-99	4	369029	Screw #4 x 3/4 1951	2
30.6119		PLATE, Electrical courtesy light switch hole cover		30.6220		BULB, Electrical dome light	
	366521	1582-85-88-92-95-98	2	102585	(Mazda #81 - 6 C.P.) 1532-42-50-51-62-70-71-84-90-1	x
	6950	(50.300) Screw #6 x 3/8 tapping	4	56973	(Mazda #82 - 6 volt) 1951-1502-5-12-15-22-25-72-75-82-85-88-92-95-98	x

▲Used on Clipper Four Door Sedans built after Jan. 1, 1942 only. All other body types have chrome trim.

INDEX NO.	PART NO.	DESCRIPTION AND MODELS	PER CAR
DOMES AND READING LIGHT—Continued			
30.6240	TERMINAL, Electrical dome light to ground cable		
	33287 (50.925) (13/64 eye) 1532-42-50-51-62-70-71-84-90-91	x	
	36111 (50.935) Insulator	x	
	7649 (50.300) Screw #8 x 3/8 tapping	x	
	3866 (50.200) Washer 3/16 plain	x	
30.625	REFLECTOR, Electrical dome light		
	235161 (1 socket) 1532-42-50-51-62-70-71-90-91	x	
	235175 (2 sockets) 1550-70-90	1	
	359457 (Rear - center lamp) 1584	1	
	4809 (50.340) Woodscrew #8 x 1/2 flat hd. 1532-42-50-51-62-70-71-90-1	x	
30.626	SWITCH, Electrical dome light		
	375217 (Manual) (Blue) 1502-5-12-15	1	
	375218 (Manual) (Gray) 1525-72-75	1	
	374396 (Manual) 1532-42-51	1	
	374397 (Manual) 1550	2	
	374398 (Manual) 1562-71-91	1	
	374399 (Manual) 1570-90	2	
	372806 (Manual) (Brown) 1951-1582-85-88-92-95-98	1	
	363767 (Manual - Rear - Center) 1584	1	
	369320 (Manual - Partition & Meter) 1584	1	
	372477 (Door operated) 1951	2	
	342165 (Door operated) 1532-42-50-1-62-70-1-84-90-1-7999 (50.300) Screw #4 x 3/4 (For manual switch) 1502-5-12-15-22-25-72-75-82-85-88-92-95-98.	2	
	6950 (50.300) Screw #6 x 3/8 (For door operated switch) 1502-12-22-72	4	
	7794 (50.025) Screw #4 x 1/2 tapping (For door operated switch) 1532-42-50-51-62-70-71-90-1	4	
	349640 Screw #4 x 3/4 (Rear) 1584	2	
	4952 Woodscrew #4 x 1/2 (Partition) 1584	4	
30.628	CABLE ASSY., Electrical dome light to switch		
	372525 1502-12-72	1	
	375054 1505-15-25-75-85-88-95-98	1	
	380012 1522	1	
	349338 (Dome light switch to door switch) 1532	1	
	366477 1542-62	1	
	349262 (Dome light switch to door switch) 1550-70-90	1	
	325887 (Front switch to rear switch) 1550-70-90	2	
	325886 Rear 1550-70-90	1	
	366504 1551-71-91	1	
	380020 1582-92	1	
	369116 (Partition light to switch) 1584	1	
	374469 (Rear center light to switch) 1584	1	
30.6280	TERMINAL, Electrical dome light (front) to rheostat switch cable		
	33287 (50.925) 13/64 eye 1532-50-70-90	1	
	71397 (50.925) 11/64 eye 1532-50-70-90	1	
	36111 (50.935) Insulator	2	
30.629	PLATE, Electrical dome light switch		
	337111 1532-42-51-62-71-91	1	
	337112 1550-70-90	2	
	366521 (Rear door) 1582-92	2	
	349640 Screw #4 x 3/4 oval hd. (To pillar) 1532-42-50-1-62-70-1	2	
	6787 Woodscrew #4 x 3/4 oval hd. (To partition) 1550-70	2	

LICENSE LAMP

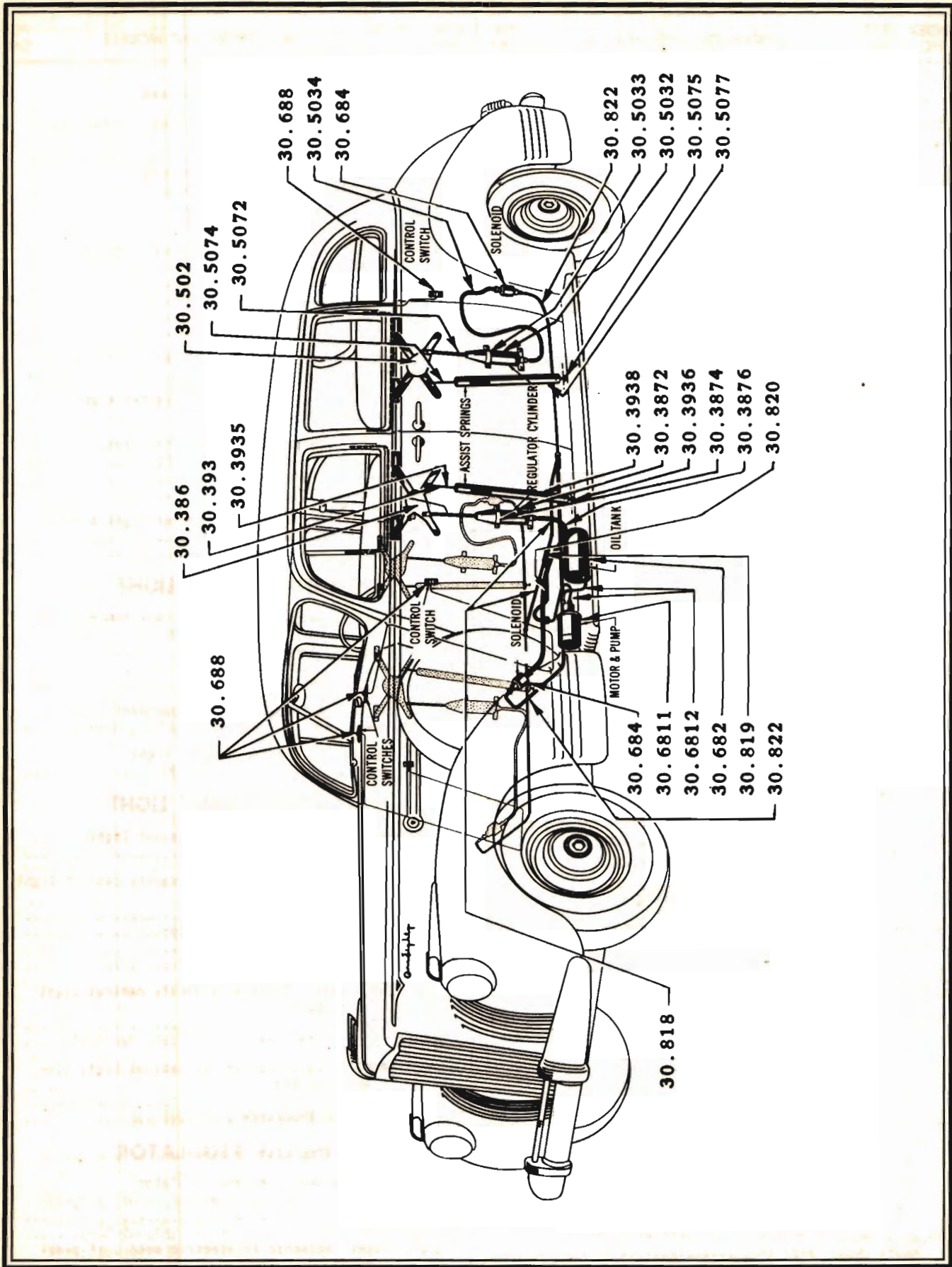
Note: - For Lamp Rear Refer To Index Code 4.1600 thru 4.167

30.634	LAMP (LICENSE) ASSEMBLY (For license lamp handle see 31.173)		
	371474 (Chrome) 1951-1502-5-12-15-22-5-72-5-82-5-8-92-5-8	1	

INDEX NO.	PART NO.	DESCRIPTION AND MODELS	PER CAR
LICENSE LAMP—Continued			
30.634	LAMP (LICENSE) ASSEMBLY (For license lamp handle see 31.173) (Cont'd)		
	▲379944 (Prime) 1502-12-22-72-82-92	1	
	358114 1532-42-50-1-62-70-1-9-89-90-1-9	1	
	369247 1584	1	
	6788 Lockwasher 1/4 1502-5-12-15-22-5-72-5-82-5-8-92-5-8	2	
	6699 (50.230) Lockwasher 1/4 internal 1532-42-50-1-62-70-1-9-89-90-1-9	1	
	5502 (50.220) Lockwasher 1/4 1532-42-50-1-62-70-1-9-89-90-1-9	1	
	7304 (50.100) Nut 1/4-20 1502-5-12-15-22-5-72-5-82-5-8-92-5-8	2	
	7004 (50.100) Nut 1/4-28 1532-42-50-1-62-70-1-9-89-90-1-9	1	
	7115 (50.100) Nut 1/4 1584	2	
	7039 Screw 1/4-28 x 1-7/8 1532-42-50-1-62-70-1-9-89-90-1-9	1	
	351749 Stud 1579-89-99	1	
30.635	GASKET, Lamp (license) assembly (to body)		
	378150 1951	1	
	348176 1532-42-50-1-62-70-1-90-1	1	
	358159 1579-89-99	1	
30.6355	GASKET, Lamp (license) assembly (to stone shield)		
	371696 1502-5-12-15-22-5-72-5-82-5-6-8-92-5-8	1	
30.636	BODY, Lamp (license)		
	378150 1502-5-12-15-22-5-72-5-82-5-8-92-5-8	1	
	358112 1532-42-50-1-62-70-1-9-89-90-1-9	1	
30.6365	BODY AND SOCKET ASSEMBLY, Lamp (license)		
	378150 1502-5-12-15-22-25-72-75-82-85-88-92-95-98.	1	
30.6370	BULB, Lamp (license)		
	102590 (50.960) (3 C.P. - 6 volt Mazda #63) 1951-20th Sr.	1	
30.642	SOCKET AND CABLE ASSY., Lamp (license) bulb		
	348901 1532-42-50-1-62-70-1-9-89-90-1-9	1	
30.643	SOCKET ASSEMBLY, Lamp (license) bulb		
	362620 1951-1502-5-12-15-22-5-72-5-82-5-8-92-5-8	1	
30.648	SPRING, Lamp (license) bulb socket		
	371723 1951-1502-5-12-15-22-5-72-5-82-5-8-92-5-8	1	
30.6480	WASHER, Lamp (license) bulb socket		
	335855 1951-1502-5-12-15-22-5-72-5-82-5-8-92-5-8	1	
30.649	CABLE ASSEMBLY, Lamp (license)		
	371700 1951-1502-5-12-15-22-5-72-5-82-5-8-92-5-8	1	
	348898 1532-42-50-1-62-70-1-90-1	1	
	348899 1579-89-99	1	
	371211 Clip 1502-5-12-15-22-5-72-5-82-5-8-92-5-8	1	
30.6490	CONNECTOR, Lamp (license) cable		
	240669 3 wire 1532-42-50-1-62-70-1-9-89-90-1-9	1	
	373368 1584	1	
30.6492	GROMMET, Lamp (license) cable to trunk lid panel inner		
	170401 1532-42-50-1-62-70-1-9-89-90-1-9	1	
30.6497	DOOR, Lamp (license)		
	371692 (Chrome) 1951-1502-5-12-15-22-5-72-5-82-5-8-92-5-8	1	
	▲379945 (Prime) 1502-12-22-72-82-92	1	
	371699 Screw (Chrome)	2	
	▲379946 Screw (Painted)	2	
30.650	GLASS, Lamp (license)		
	371693 1951-1502-5-12-15-22-5-72-5-82-5-8-92-5-8	1	
	348663 1532-42-50-1-62-70-1-9-89-90-1-9	1	
	378990 1584	1	

*Used on Clipper Four Door Sedans built after Jan. 1, 1942 only. All other body types have chrome trim.

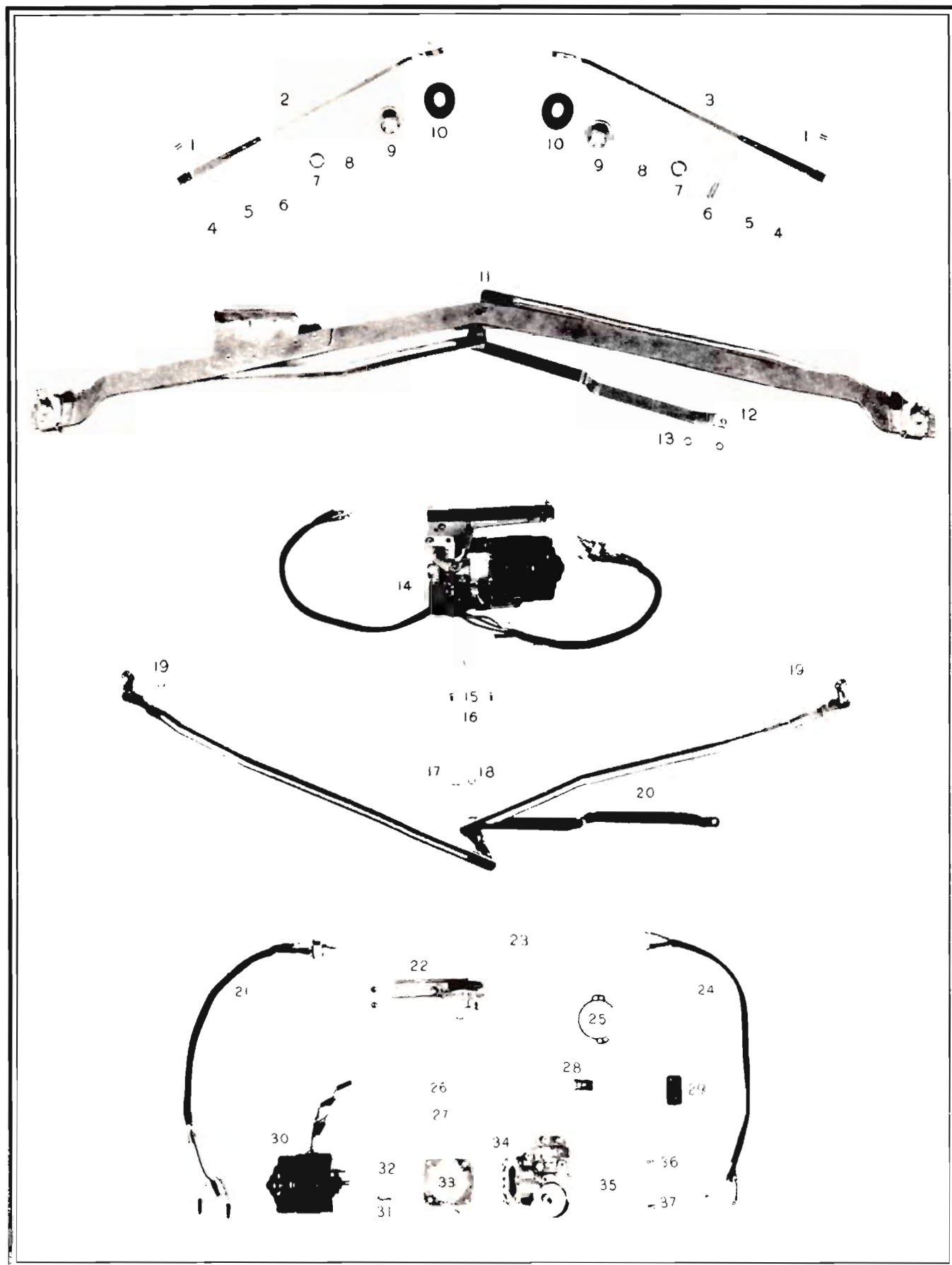
INDEX NO.	PART NO.	DESCRIPTION AND MODELS	PER CAR	INDEX NO.	PART NO.	DESCRIPTION AND MODELS	PER CAR
LICENSE LAMP—Continued				QUARTER LIGHT—Continued			
30.651	GASKET, Lamp (license) glass			30.661	CABLE ASSEMBLY, Electrical rear quarter light (to ground)		
	371694 1951-1502-5-12-15-22-5-72-5-82-5-8-92-5-8 ...		1		241588 1532-42-50-51		2
	348664 1532-42-50-1-62-70-1-9-89-90-1-9		1		7649 (50.300) Screw #8 x 3/4 tapping		2
30.652	RETAINER, Lamp (license) glass				5756 (50.000) Set screw #6-40 x 1/4 rnd. hd.		2
	351755 1532-42-50-1-62-70-1-9-89-90-1-9		1		33287 (50.925) Terminal		2
	378989 1584		1		3866 (50.200) Washer 3/16 plain		2
30.657	BRACKET, Lamp (license) tag			30.662	CABLE ASSEMBLY, Electrical rear quarter light (to switch)		
	371369 Lower 1951-1502-5-12-15-22-5-72-5-82-5-8-92-5-8		1		241578 1532		1
	348178 Lower 1532-42-50-1-62-70-1-9-89-90-1-9		1		363821 1542		1
	324682 Upper 1951-20th Sr.		1		363822 1550		1
	369065 1584		1		363823 1551		1
	5502 (50.220) Lockwasher 1/4 1502-5-12-15-22-5-72-5-82-5-8-92-5-8		1	30.663	GLASS AND RIM, Electrical rear quarter light		
	7054 Lockwasher #10 1532-42-50-1-62-70-1-9-89-90-1-9		2		245205 1532-42-50-51		2
	6699 (50.230) Lockwasher 1/4 1532-42-50-1-62-70-1-9-89-99		1	30.664	REFLECTOR, Electrical rear quarter light		
	7004 (50.100) Nut 1/4-28		1		183836 1532-42-50-51		2
	371387 Screw 1951-1502-5-12-15-22-5-72-5-82-5-8-92-5-8		1	30.665	SWITCH, Electrical rear quarter light		
	364702 Screw 1/4-28 x 3" 1532-42-50-1-62-70-1		1		376784 (Door operated) 1502-12-22-72		2
	364688 Screw 1/4-28 x 3-1/2 1579-89-99		1		375218 (Manual) (Gray) 1522		2
	7319 (50.200) Washer 1/4 1951-1502-5-12-15-22-5-72-5-82-5-8-92-5-8		1		374396 (2 point) 1532-42-50-51		1
30.6570	GASKET, Lamp (license) bracket (lower)			30.666	PLATE, Electrical rear quarter light switch		
	371385 (To body panel) 1951-1502-5-12-15-22-5-72-5-82-5-6-8-92-5-8		1		337111 1532-42-50-51		1
	369163 1584		1		349640 Screw #4 x 3/4 oval hd.		2
30.6571	SPACER, Lamp (license) tag bracket adjusting screw			TRUNK COMPT. LIGHT			
	364687 Inner 1532-42-50-1-62-70-1-9-89-90-1-9		1	30.667	LIGHT ASSEMBLY, Electrical trunk compartment		
	364685 Outer 1532-42-50-1-62-70-1-90-1		1		342521 1532-42-50-1-62-70-1-9-89-99		1
	364686 Outer 1579-89-99		1		7399 (50.000) Screw #6-32 x 5/8		2
	371372 1951-1522-5-72-5-82-5-6-8-92-5-8		1		6473 (50.230) Lockwasher #6		4
	212713 Body washer 20th Sr.		1		6474 (50.100) Nut #6-32		2
	364696 Washer 1951		1	30.6670	BULB, Electrical trunk compartment light		
30.658	PLATE ASSEMBLY, Lamp (license) tag bracket lower and bracket				225655 (Mazda #55) 1532-42-50-1-62-70-1-9-89-99		1
	348177 1532-42-50-1-62-70-1-9-89-90-1-9		1	30.6673	BRACKET, Trunk compartment light		
	7460 (50.004) Screw #10-24 x 3/8		2		363101 1532-42-50-1-62-70-1-9-89-99		1
30.6580	PLATE, Lamp (license) tag bracket 20th Sr.		1	VANITY CABINET LIGHT			
PARTITION LIGHT				30.6675	BULB, Electrical vanity cabinet light		
30.6595	BULB, Partition card case light				102590 (Mazda #63) 1532		2
	102590 1584		1	30.668	CABLE ASSEMBLY, Electrical vanity cabinet light (to ground)		
30.6596	SOCKET ASSY., Partition card case light				241589 1532		2
	369368 1584		1		7649 (50.300) Screw #8 x 3/8 tapping		2
30.6597	SOCKET AND BRACKET ASSEMBLY, Partition card case light				33287 (50.925) Terminal		4
	365513 1584		1		3866 (50.200) Washer plain		2
	4815 Woodscrew #6 x 3/4		1	30.669	CABLE ASSY., Electrical vanity cabinet light (to switch)		
QUARTER LIGHT					235206 1532		2
30.660	QUARTER LIGHT, Electrical rear				225377 (50.925) Terminal		2
	375099 (Chrome) 1522		2	30.670	SOCKET, Electrical vanity cabinet light disconnecter plug		
	374785 (Painted) 1522		2		107654 1532		2
	245204 1532-42-50-1		2		5751 (50.340) Woodscrew		4
	8134 (50.000) Screw #4 x 3/4 1522		8	WINDOW REGULATOR			
	7450 (50.000) Screw #10-32 x 5/8 1532-42-50-1 ...		2	30.680	CABLE ASSEMBLY, Window regulator		
30.6600	BULB, Electrical rear quarter light				364966 Lower (Solenoid to electric motor) 1532-42-50-51		1
	56973 (Mazda #82) 1522		2		364970 Lower (Solenoid to relay) 1532-42-50-51		1
	102590 (Mazda #63) 1532-42-50-1		2		364967 Upper (Solenoid to electric motor) 1532-42-50-51		1



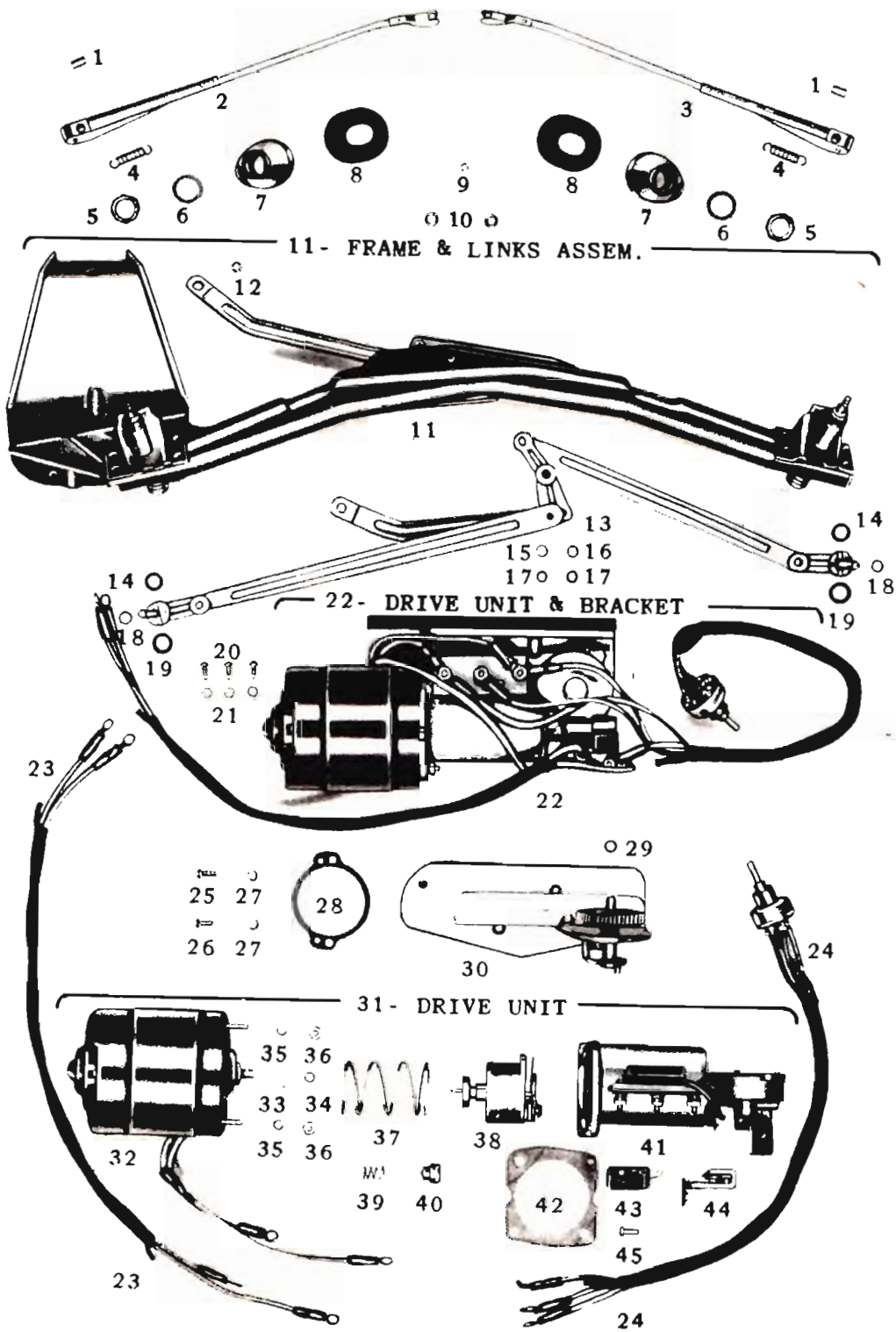
ELECTRICAL WINDOW REGULATOR

INDEX NO.	PART NO.	DESCRIPTION AND MODELS	PER CAR
WINDSHIELD WIPER—Continued			
30.7021	LOCK NUT, Windshield cleaner driver sleeve		
376165	1951-1502-5-12-15-22-25-72-75-82-85-88-92-95-98		2
359613	1532-42-50-1-62-70-1-9-84-9-90-1-9		2
30.7022	WASHER, Windshield cleaner driver sleeve lock nut		
376166	1951-1502-5-12-5-22-5-72-5-82-5-8-92-5-8	2
359614	1532-42-50-1-62-70-1-9-84-9-90-1-9		2
30.703	MOTOR ASSEMBLY, Windshield cleaner (complete)		
376006	LHD 1951-1502-5-12-5-22-5-72-5-82-5-8-92-5-8		
359610	LHD 1532-42-50-1-62-70-1-9-84-9-99		1
374694	RHD 1532-42-50-1-62-70-1-9-89-90-1-9		1
30.7033	BRACE, Windshield cleaner dash		
376047	1951-1502-5-12-15-22-25-72-75-82-85-88-92-95-98		1
5502	(50.220) Lockwasher 1/4		1
5935	(50.230) Lockwasher #10		2
5870	(50.000) Screw #10-32 x 1/2		2
6612	(50.000) Screw 1/4-20 x 1/2		1
30.7045	TIE ROD, Windshield cleaner motor mounting to dash		
359891	1532-42-50-1-62-70-1-9-84-9-90-1-9		1
6597	(50.230) Lockwasher 3/8 external		2
7006	(50.100) Nut 3/8-24		2
30.705	SWITCH, Windshield cleaner motor		
376665	1951-1502-5-12-5-22-5-72-5-82-5-8-92-5-8		1
349126	1532-42-50-1-62-70-1-9-84-9-90-1-9		1
30.706	KNÖB ASSEMBLY, Windshield cleaner motor		
375057	(Blue) 1502-5-12-15		1
375058	(Gray) 1522-5-72-5		1
374434	1532-42-50-1		1
374433	1562-70-1-90-1		1
374616	(Brown) 1579-89-99		1
359906	(Blue) 1579-89-99		1
363322	(Maroon) 1579-89-99		1
372925	(Brown) 1951-1582-5-8-92-5-8		1
363320	(Green) 1584-9-99		1
30.707	BASE, Windshield cleaner motor switch knob		
333269	(Chrome) All models		1
30.708	GASKET, Windshield cleaner motor switch knob base		
349529	All models		1
30.7085	BLADE, Windshield cleaner wiper		
379362	All models (10" Long)		2
30.709	ARM ASSEMBLY, Windshield cleaner wiper		
376004	Right 1951-1502-5-12-5-22-5-72-5-82-5-8-92-5-8		1
359618	Right 1532-42-50-1-62-70-1-9-84-9-90-1-9		1
376005	Left 1951-1502-5-12-5-22-5-72-5-82-5-8-92-5-8		1
359619	Left 1532-42-50-1-62-70-1-9-84-9-90-1-9		1
342929	Lock nut		2

INDEX NO.	PART NO.	DESCRIPTION AND MODELS	PER CAR
WINDSHIELD WIPER—Continued			
30.765	WINDSHIELD WIPER PARTS FOR 1951-1502-5-12-5-22-5-72-5-82-5-8-92-5-8	(See illustration)	
GUIDE NO.	DESCRIPTION	PART NO.	PER CAR
1	Slotted head nut	SW-101511	2
2	Wiper arm - L.H. (see code 30.709)	SW-450002	1
3	Wiper arm - R.H. (see code 30.709)	SW-450001	1
4	Wiper arm retaining ring	SW-104054	2
5	Wiper arm washer	SW-104057	2
6	Wiper arm spring	SW-104138	2
7	Wiper arm slotted nut	SW-450078	2
8	Wiper arm outside fibre spacer	SW-450077	2
9	Wiper arm outside spacer	SW-450003	2
10	Wiper arm outside rubber gasket	SW-450004	2
11	Frame and links assembly	SW-450024	1
12	Clip - small	SW-105821	1
13	Washer	SW-79094	2
14	Drive unit and bracket assembly	SW-450036	1
15	No. 8 - 32 x 3/8 R.H. Screw	SW-67039	2
16	Lock Washer	SW-76901	2
17	Clip - large	SW-106339	1
18	Washer	SW-844	1
19	Washer	SW-843	2
20	Linkage and shaft assembly	SW-450023	1
21	Switch and cable	SW-450074	1
22	Bracket gear and crank assembly	SW-450035	1
23	Washer	SW-844	1
24	Cable assembly	SW-450073	1
25	Housing gasket	SW-104026	1
26	Hex nut	SW-99491	2
27	Lock Washer	SW-76901	2
28	Klixon	SW-450051	1
29	Resistor	SW-450075	1
30	Motor (electric) (see code 30.703)	SW-450006	1
31	Motor link spring	SW-450060	1
32	Motor drive link	SW-450067	1
33	Motor gasket	SW-104047	1
34	Housing and terminal	SW-450071	1
35	Lock Washer assembly	SW-76842	2
36	No. 8 - 32 x 9-32 R.H. Screw	SW-79206	1
37	No. 8 - 32 x 5/16 R.H. Screw	SW-63529	1
30.765	WINDSHIELD WIPER PARTS FOR 1532-42-50-1-62-70-1-9-89-90-1-9	(See illustration)	
GUIDE NO.	DESCRIPTION	PART NO.	
1	Slotted Head Nut	SW-101511	
2	Wiper Arm Left (See code 30.709)	SW-104112	
3	Wiper Arm Right (See code 30.709)	SW-104114	
4	Wiper Arm Spring	SW-104138	
5	Octogon Nut	SW-104005	
6	Fiber Washer	SW-104056	
7	Outside Spacer	SW-104068	
8	Rubber Gasket	SW-104083	
9	Retaining Ring	SW-105821	
10	Washers	SW-79094	
11	FRAME AND LINKS ASSEMBLY	SW-104123	
12	Oilless Bushing	SW-101535	
13	Linage and Shafts Assembly	SW-104118	
14	Washer	SW-104057	
15	Retaining Ring	SW-104054	
16	Washer	SW-844	
17	Washer	SW-844	
18	Retaining Ring	SW-104054	
19	Washer	SW-843	
20	Screw (#8-32 x 5/16)	SW-63529	
21	Lockwasher	SW-76901	



WINDSHIELD WIPER (CLIPPER TYPE)



WINDSHIELD WIPER (For 1532-42-50-1-62-70-1-9-89-99)

INDEX NO.	PART NO.	DESCRIPTION AND MODELS	PER CAR	INDEX NO.	PART NO.	DESCRIPTION AND MODELS	PER CAR
WINDSHIELD WIPER—Continued				FLOOR			
30.765		WINDSHIELD WIPER PARTS FOR 1532-42-50-1-62-70-1-9-89-90-1-9 (See illustration) (Cont'd)		<i>Note:- For Battery Cables, Carrier, Etc. Refer To Index Code 4.0001 thru 4.0009 For Floor Mats And Carpets Refer To Index Code 31.417 thru 31.431</i>			
GUIDE				30.800		COVER ASSEMBLY, Floor battery	
22		DRIVE UNIT AND BRACKET	SW-104124	349299	1532-42-50-1-62-70-1-9-84-9-90-1-9	1
23		Cable Assembly	SW-101584	30.801		FASTENER, Floor battery cover assembly	
24		Cable and Switch Assembly	SW-104109	305867	1532-42-50-1-62-70-1-9-84-9-90-1-9	2
25		Screw (#8-32 x 5/16)	SW- 63529	30.802		RIVET, Floor battery cover assembly fastener	
26		Screw (#8-32 x 9/32)	SW- 79206	305880	1532-42-50-1-62-70-1-9-84-9-90-1-9	1
27		Lockwashers	SW- 78642	30.803		PAD, (Felt) Floor battery cover plate	
28		Gasket	SW-104026	349298	1532-42-50-1-62-70-1-9-84-9-90-1-9	2
29		Gear Shaft Washer	SW- 844	30.806		SCUFF PLATE, Floor door - front right	
30		Brkt. and Driven Gear Assembly	SW-104119	372496	(Bright metal) 1951-1502-12-22-72-82-92	1
31		DRIVE UNIT	SW-104100	▲381060	(Enameled) 1502-12-22-72-82-92	1
32		2-Speed Motor	SW-104104	375196	1505-15-25-75-85-8-95-8	1
33		Drive Cup	SW-104024	342256	1579-89-99	1
34		Retaining Ring	SW-104052	357352	Lower 1532-42-50-1-62-70-1-9-84	1
35		Lockwasher	SW- 76901	357346	Upper 1532-50-70	1
36		Hexagon Nut (#8-32)	SW- 99491	357344	Upper 1542-51-62-71-9-84	1
37		Large Spring	SW-104023	369418	Upper 1584	1
38		Coil, Shaft and Contacts Assembly ..	SW-104102	30.807		SCUFF PLATE, Floor door - front left	
39		Small Spring	SW-104021	372497	(Bright metal) 1951-1502-12-22-72-82-92	1
40		Bearing and Drive Clutch Assembly ..	SW-104088	▲381061	(Enameled) 1502-12-22-72-82-92	1
		Pin	SW-105821	375197	1505-15-25-75-85-8-95-8	1
41		Housing, Resistor and Breaker		342257	1579-89-99	1
		Assembly	SW-104149	357353	Lower 1532-42-50-1-62-70-1-9-84	1
42		Motor Gasket	SW-104047	357347	Upper 1532-50-70	1
43		Resistor	SW-104049	357345	Upper 1542-51-62-71-9	1
44		Circuit Breaker	SW-104108	369419	Upper 1584	1
45		Fiber Contact Pin	SW-104044	30.8070		SCREW, Floor door scuff plate front	
				7750	(50.300) #8 x 5/8 1951-1502-5-12-15-22-25-72-75-82-85-88-92-95-98	x
				6828	(50.300) #8 x 3/4 spl. #6 Phillips oval hd. sheet metal 1532-42-50-1-62-70-1-9-84-9-99.	x
				30.808		SCUFF PLATE, Floor door - rear right	
				372488	(Bright metal) 1951-1502-12-22-72-82-92	1
				▲381062	(Enameled) 1502-12-22-72-82-92	1
				357366	Lower 1532-42-62	1
				357368	Lower 1550-1-70-1	1
				357358	Upper 1532-42-62-84	1
				357362	Upper 1550-1-70-1	1
				30.809		SCUFF PLATE, Floor door - rear left	
				372488	(Bright metal) 1951-1502-12-22-72-82-92	1
				381062	(Enameled) 1502-12-22-72-82-92	1
				357367	Lower 1532-42-62	1
				357369	Lower 1550-1-70-1	1
				357359	Upper 1532-42-62-84	1
				357362	Upper 1550-1-70-1	1
				30.8090		SCREW, Floor door scuff plate - rear	
				7750	(50.300) #8 x 5/8 1951-1502-12-22-72-82-92	6
				6828	#8 x 3/4 1532-42-50-1-62-70-1-84	10
				30.8105		RUBBER MAT ASSEMBLY, Floor door sill	
				372322	(Front - right) 1951-1502-12-22-72-82-92	1
				374330	(Right) 1505-15-25-75-85-8-95-8	1
				372323	(Front - left) 1951-1502-12-22-72-82-92	1
				374331	(Left) 1505-15-25-75-85-8-95-8	1
				372324	(Rear - right) 1951-1502-12-22-72-82-92	1
				372325	(Rear - left) 1951-1502-12-22-72-82-92	1
				372311	Clip (Inner)	22
				372310	Clip (Outer)	22
				372317	Clip retainer (Front inner)	16
				30.812		PLATE ASSEMBLY, Floor pan econo-drive inspection hole cover	
				370534	1502-5-12-15-22-25-72-75-82-85-88-92-95-98	1
				6859	Screw #14 x 1/2 binding hd. Type A	10

Used on Clipper Four Door Sedans built after Jan. 1, 1942 only. All other body types have chrome trim.

INDEX NO.	PART NO.	DESCRIPTION AND MODELS	PER CAR
FLOOR—Continued			
30.8135		MOULDING, Floor side sill (See index #7.207 for conventional type running board moulding)	
	372272	(Chrome) (Right) (86-3/8") 1502-5-12-5-82-5-8-92-5-8	1
▲	374786	(Prime) (Right) (86-3/8") 1502-12-82-92	1
	372074	(Chrome) (Right) 1951 (92-7/8") 1522-25-72-75	1
▲	374788	(Prime) (Right) (92-7/8") 1522-72	1
	372273	(Chrome) (Left) (86-3/8") 1502-5-12-15-82-5-8-92-5-8	1
▲	374787	(Prime) (Left) (86-3/8") 1502-12-82-92	1
	372075	(Chrome) (Left) 1951 (92-7/8") 1522-25-72-75	1
▲	374789	(Prime) (Left) (92-7/8") 1522-72	1
	372680	Bolt	4
	366663	Clip	20
	5935	(50.230) Lockwasher #10 internal type Z	4
	7003	Nut #10-32 std.	4
	101200	Plain washer	4
30.814		PANEL - RIGHT, Floor side sill	
	372188	(Prime) 1951-1502-12-22-72-82-92	1
	366918	(Prime) 1505-15-25-75-85-8-95-8	1
	342082	(Prime) 1532-42-62-84	1
	317352	(Prime) 1550-1-70-1-90-1	1
	317350	(Prime) 1579-89-99	1
30.815		PANEL - LEFT, Floor side sill	
	372189	(Prime) 1951-1502-12-22-72-82-92	1
	366919	(Prime) 1505-15-25-75-85-8-95-8	1
	342083	(Prime) 1532-42-62-84	1
	317353	(Prime) 1550-1-70-1-90-1	1
	317351	(Prime) 1579-89-99	1
30.818		CROSS TUBE ASSEMBLY, Floor window regulator	
	363716	Center 1532-50	1
	363864	Right 1532-50	1
	363928	Right 1542	1
	363926	Right 1551	1
	363865	Left 1532-50	1
	363929	Left 1542	1
	363927	Left 1551	1
	139466	Clip	3
	7417	Screw #8 x 1/2 tapping	2
	300614	Union nut 5/16	x
30.819		JUNCTION, Floor window regulator cross tube tee	
	363651	1532-50	4
	363651	1542-51	3
30.820		TUBE ASSEMBLY, Floor window regulator cross tube to chassis pump	
	363872	1532-50	1
	363940	1542	1
	363919	1551	1
	139466	Clip	1
	7417	(50.300) Screw #8 x 1/2 tapping	2
	364713	Union connection	1
	300614	Union nut 5/16	2
30.821		GROMMET, Floor window regulator cross tube to pump tube floor pan	
	197876	1532-42-50-1	1
30.822		TUBE ASSEMBLY, Floor window regulator	
	363890	Front right 1532-42-50-1	1
	363922	Rear right 1532-42	1
	363891	Front left 1532-42-50-1	1
	363923	Rear left 1532-42	1
	363714	Rear 1550-1	2
	300614	Union nut 5/16	4
30.823		ANTI-RATTLER, Floor window regulator tube assembly	
	366240	Front 1532-42-50-1	2

INDEX NO.	PART NO.	DESCRIPTION AND MODELS	PER CAR
INSULATION			
30.825		ANTI-SQUEAK, Roof bow	
	357869	(To roof rail) 1532-42-50-1-62-70-1-9-89-90-1-9	10
	359040	(To roof rail) 1532	2
30.831		INSULATION, Battery cover	
	331746	1532-42-50-1-62-70-1-9-84-9-90-1-9	1
30.832		INSULATION, Body panel anti-rumble compound	
	328599	1532-42-50-1-62-70-1-9-1584-9-90-1-9	x
30.833		INSULATION, Dash panel pad	
	370178	LHD 1951-1502-5-12-5-22-5-72-5-82-5-8-92-5-8	1
	359220	LHD 1532-42-50-1-62-70-1-9-90-1	1
	359222	LHD 1584-89-99	1
	314879	Fastener 1951-1502-5-12-5-22-5-32-42-50-1-62-70-1-2-5-9-82-5-8-9-92-5-8-9	x
	366523	Fastener 1532-42-50-1-62-70-1-9-89-99	2
	235255	Ferrule 1/4 1951-1502-5-12-5-22-5-32-42-50-1-62-70-1-2-5-9-82-5-8-9-92-5-8-9	x
	6933	Screw 1/4-28 x 3/4 Phillips oval hd. 1951-1502-5-12-5-22-5-32-42-50-1-62-70-1-2-5-9-82-5-8-9-92-5-8-9	x
	376370	Speed nut 1951-1502-5-12-5-22-5-72-5-82-5-8-92-5-8	1
30.834		INSULATION, Floor pan- front	
	370772	1951-1502-5-12-5-22-5-72-5-82-5-8-92-5-8	2
	363091	1532-42-50-1-62-70-1-9-84-9-90-1-9	1
30.836		INSULATION, Floor pan - rear	
	370774	1951-1502-5-12-5-22-5-72-5-82-5-8-92-5-8	2
	349674	1532-42-62	1
	349672	1550-1-70-1-90-1	1
	363092	1579-89-99	1
	350699	1584	1
30.8365		INSULATION, Floor pan filler	
	328874	(Front) 1532-42-50-1-62-70-1-9-84-9-90-1-9	2
	328875	(Rear) 1532-42-50-1-62-70-90-1	2
	328876	(Rear) 1579-89-99	2
	356098	(Rear) 1584	2
30.837		INSULATION, Floor rear seat pan	
	370768	1951-1502-12-22-72-82-92	2
	375340	1505-15-25-75-85-8-95-8	2
	363090	1532-42-50-1-62-70-1-84-90-1	1
	349675	(Folding seat pan) 1550-1-70-1-90-1	1
	331729	(Front) 1579-89-99	1
	363159	(Tail pipe) 1532-42-50-1-62-70-1-84	1
	7642	(50.300) Screw #6 x 3/8 1532-42-50-1-62-70-1-84	2
	6387	(50.200) Plain washer #8 special 1532-42-50-1-62-70-1-84	2
30.841		INSULATION, Floor trunk compartment pan	
	370739	1951-1502-5-12-5-72-5-82-5-8-92-5-8	1
	375339	1522-25	1
	363086	1532-42-50-1-62-70-1-90-1	1
	363012	1562-70-1-90-1	1
	363013	1579-84-9-99	1
30.8415		INSULATION, Front seat tract to seat frame liner	
	363138	1542-51-62-71-79-89-91-9	2
30.842		INSULATION, Just pad 36" wide	
	226167	(20 oz.) 1532-42-50-1-62-70-1-9-89-90-1-9	x
	200737	(40 oz.) 1532-42-50-1-62-70-1-9-90-1-9	x
30.8426		INSULATION, Roof (bulk stock in rolls)	
	349894	1532-42-50-1-62-70-1-90-1	x
30.843		INSULATION, Roof panel	
	349681	(Center) 1532-42-62	1
	349682	(Center) 1550-1-70-1-90-1	1
	374717	(Center) 1584	2
	374716	(Front) 1584	1
	374718	(Rear) 1584	1

▲ Used on Clipper Four Door Sedans built after Jan. 1, 1942 only. All other body types have chrome trim.

INSULATION AND PARTITION

30.844 - 30.863

INDEX NO.	PART NO.	DESCRIPTION AND MODELS	PER CAR	INDEX NO.	PART NO.	DESCRIPTION AND MODELS	PER CAR
INSULATION—Continued				PARTITION			
30.844	INSULATION, Roof panel side quarter			30.849	DOWEL, Partition back compartment lid		
349680	1532-42-50-1-62-70-1-84-90-1	2	353285	1532	1
30.845	INSULATION, Roof panel cement			353285	1542	2
326247	1532-42-50-1-62-70-1-84-90-1	x	30.850	HANDLE, Partition back compartment lid		
30.846	INSULATION, Toe board			245200	1532-42	1
370776	Right 1951-1502-5-12-5-22-5-72-5-82-5-8-92-5-8	1	6794	Woodscrew #6 x 3/4 oval hd.	4
370777	Left 1951-1502-5-12-5-22-5-72-5-82-5-8-92-5-8	1	30.851	HINGE, Partition back compartment lid		
349678	LHD 1532-42-50-1-62-70-1-9-90-1	1	122611	1532	2
349676	LHD 1584-9-99	1	122611	1542	3
				4901	Woodscrew #6 x 3/4	1532	12
				4901	Woodscrew #6 x 3/4	1542	18
				30.852	PLATE, Partition back compartment lid striker		
				229284	1532	1
				229284	1542	2
				4975	Woodscrew #6 x 5/8	1532	2
				4975	Woodscrew #6 x 5/8	1542	4
				30.8522	GLASS, Partition card case		
				365401	1584	1
				30.85235	LID ASSEMBLY, Partition card case		
				365415	1584	1
				4802	Woodscrew #6 x 3/8	4
				30.8524	HINGE, Partition card case lid		
				365417	1584	2
				30.8525	CRASH PAD, Partition		
				369046	(Sponge rubber) 1584	1
				30.8527	MOULDING, Partition pillar finish		
				369348	1584	2
				2990	Woodscrew #8 x 1	10
				30.854	ANTI-RATTLER, Partition window belt - rear		
				326142	1550-70-90	2
				30.8545	BUMPER, Partition window		
				199167	1550-70-90	2
				209262	Screw #8 x 1/2	2
				30.855	MOULDING ASSEMBLY, Partition window finishing		
				359444	1550	1
				374546	1570	1
				374348	1590	1
				359673	Woodscrew #8 x 1-1/4	7
				235771	Ferrule #6	7
				30.858	GLASS, Partition window		
				349733	1532	1
				342296	1550-70	1
				374356	1590	1
				369230	Right 1584	1
				369231	Left 1584	1
				30.859	CUSHION, Partition window glass (Everseal)		
				353194	(.086 x 1-1/4) 1532-50-70-90	x
				366354	(.060 x 1-1/4) 1532-50-70-90	x
				366355	(.080 x 1-1/4) 1532-50-70-90	x
				311439	(.070 x 1-1/4) 1532-50-70-90	x
				30.861	LIFTER ASSEMBLY, Partition window		
				363719	1532	1
				363717	1550	1
				326135	1570-90	1
				30.863	REGULATOR ASSEMBLY, Partition window		
				363876	1532	1
				363877	1550	1
				184036	1570-90	1
				8224	(50.002) Screw #10-32 x 5/8	6
				199952	Screw boss #10-32	6

PARTITION

INDEX NO.	PART NO.	DESCRIPTION AND MODELS	PER CAR	INDEX NO.	PART NO.	DESCRIPTION AND MODELS	PER CAR
PARTITION—Continued				PARTITION—Continued			
30.8632		CYLINDER ASSEMBLY, Partition window regulator		30.871		RUNWAY, Partition window (Cont'd)	
363883	1532-50	1	7680	(50.300) Screw #4 x 3/8	1532	8
7142	(50.000) Screw	1/4-28 x 1/2	4	4805	Woodscrew #4 x 1/2	1550-70-84	x
5447	(50.230) Lockwasher	1/4	4				
30.8633		BRACKET ASSY., Partition window regulator cylinder		30.872		RETAINER, Partition window runway	
363695	Front	1532	1	363636	Right	1532	1
363694	Rear	1532	1	363637	Left	1532	1
363975	Lower	1550	1	163168	1550-70-90		2
363656	Upper	1550	1	4819	Woodscrew #10 x 3/4	1532	8
6668	Nut	1/4-28	4				
8207	(50.002) Screw	#10-32	3	30.873		SHIM, Partition window runway	
4819	Woodscrew	#10 x 3/4	x	132429	(1/16 x 1/2 x 40)	1550-70-9-89-90-99	x
				136008	(1/32 x 1/2 x 40)	1550-70-9-89-90-99	x
30.8634		TUBE ASSEMBLY, Partition window regulator cylinder to solenoid					
363910	1532	1				
363920	1550	1				
300614	Nut	5/16	1				
363911	Union nut		1				
30.864		HANDLE, Partition window regulator					
374503	1570	1				
374327	1590	1				
132972	Pin		1				
331591	Washer		1				
30.865		ESCUTCHEON PLATE, Partition window regulator handle					
374501	1570	1				
374326	1590	1				
30.866		SPRING, Partition window regulator handle escutcheon plate					
133264	1570-90	1				
30.8665		DOWEL, Partition window regulator handle compartment lid					
353285	1532	2				
30.867		KNOB, Partition window regulator handle compartment lid					
229261	1532	1				
7454	(50.001) Screw	#10-32 x 1/2	1				
164239	Ferrule	#10	1				
30.868		HINGE, Partition window regulator handle compartment lid					
241383	1532	1				
6193	Rivet	1/8 x 3/16	6				
30.869		PLATE, Partition window regulator handle compartment lid striker					
226025	1532	2				
30.870		INSERT, Partition window regulator handle					
133339	1570-90	1				
30.8704		ROD, Partition window regulator piston					
363853	1532	1				
363850	1550	1				
363949	Clip		1				
366323	Washer		1				
30.8706		TUBE ASSEMBLY, Partition window regulator solenoid to cross					
363909	1532	1				
363892	1550	1				
300614	(50.725) Union nut	5/16	2				
30.871		RUNWAY, Partition window					
353839	1532	2				
337427	Lower	1550-70-90	2				
369389	Lower	1584	1				
342293	Upper	1550-70	1				
369340	Upper	1584	1				
374354	Upper	1590	1				

ROOF AND SEAT

30.8751 - 30.894

INDEX NO.	PART NO.	DESCRIPTION AND MODELS	PER CAR	INDEX NO.	PART NO.	DESCRIPTION AND MODELS	PER CAR
ROOF				FOLDING			
30.8751	GLASS, Roof (See Index #31.253 for roof assembly)			30.880	BRACKET, Folding seat back		
365333	1584		1	184260	Right 1532		1
30.8752	CUSHION, Roof glass frame			184259	Left 1532		1
311439	(.070 x 1-1/4 everseal) 1584		x	369456	(Lower) 1584		4
353194	(.086 x 1-1/4 everseal) 1584		x	369455	(Upper) 1584		2
30.8753	FRAME ASSEMBLY, Roof glass			7004	(50.100) Nut 1/4-28 1532		2
369181	Front 1584		1	184866	(50.002) Screw 1/4-28 x 1-1/8 1532		2
369180	Rear 1584		1	4827	Woodscrew #10 x 1 1532		8
8050	Screw #8-32 x 1/4		4	369457	Rivet 1584		2
30.8757	WEATHERSTRIP ASSEMBLY, Roof glass frame			30.881	SCREW, Folding seat back to seat frame		
369227	Front 1584		1	184268	1532		2
30.8758	RUNWAY, Roof glass			325987	1550-1-70-1-90-1		4
369272	Rear 1584		1	326047	Springwasher 1550-1-70-1-90-1		x
369273	Side 1584		2	6048	(50.230) Lockwasher 3/8 shakeproof 1550-1-70-1-90-1		4
6762	Screw #4 x 3/8		23	6350	Nut 3/8-24 1550-1-70-1-90-1		4
30.87585	RETAINER, Roof glass runway			30.883	PAD, Folding seat cushion		
369279	Front 1584		2	243690	(Paretax hair) 1532		1
30.8759	SUPPORT, Roof glass runway			357214	(Latex hair) 1550-1		2
369282	Rear 1584		1	331886	(Right) (Latex hair) 1570-1-90-1		1
369281	Side 1584		2	331887	(Left) (Latex hair) 1570-1-90-1		1
30.87593	RETAINER, Roof sunshine window curtain			369915	(Sponge rubber) 1584		1
369018	Right 1584		1	30.885	FRAME ASSEMBLY, Folding seat		
369019	Left 1584		1	224917	1532		1
7686	Screw #8 x 1/2		10	357220	1550-1		2
30.87594	WEATHER SEAL, Roof glass			326078	Right 1570-1		1
369669	Front (Rubber) 1584		1	374364	Right 1590-1		1
30.87595	WEATHERSTRIP, Roof glass			326079	Left 1570-1		1
365394	Front 1584		1	374365	Left 1590-1		1
6460	Screw #8-32 x 3/8		7	4163	Rivet 1/4 x 5/8 1550-1-70-1-90-1		x
30.87596	RETAINER, Roof glass weatherstrip			6513	(50.400) Rivet 1/4 x 1-1/8 1550-1-70-1-90-1		x
369305	Rear 1584		1	4242	Rivet 3/16 x 1/2 1550-1-70-1-90-1		8
369284	Side - right 1584		1	5858	Rivet 3/16 x 5/8 1570-1-90-1		4
369285	Side - left 1584		1	5850	Rivet 3/16 x 1/2 1570-1-90-1		x
6620	Screw #10 x 1/2		20	5854	(50.002) Screw 1/4-28 x 1-1/4 1550-1-70-1-90-91		x
30.87598	WEATHERSTRIP, Roof sunshine opening			119143	Screw boss 1/4-28 1550-1-70-1-90-91		x
365393	Rear 1584		1	4819	Woodscrew #10 x 3/4 1532		4
374712	Side right 1584		1	30.886	HANDLE, Folding seat		
374713	Side left 1584		1	245200	1550-1-70-1-90-1		2
30.8762	REGULATOR ASSEMBLY, Roof			6794	Woodscrew #6 x 3/4 1532		4
369327	1584		1	6795	Screw #6-40 x 5/8 1550-1-70-1-90-1		8
7129	Screw 1/4-20 x 1/2		4	30.8903	LEG, Folding seat		
5447	Lockwasher 1/4		4	369042	1584		4
30.8763	HANDLE, Roof regulator			8086	Screw 5/16-18 x 1-1/4		12
359425	1584		1	30.8905	BRACKET, Folding seat leg		
331591	Washer		1	365623	1584		4
132972	Pin		1	7638	Screw 5/16-24 x 1		16
30.8764	PLATE, Roof regulator handle escutcheon			365120	Pivot pin		4
359424	1584		1	30.8907	MOULDING, Folding seat frame finishing		
30.87645	SPRING, Roof regulator handle escutcheon plate			374682	1584		2
359053	1584		1	6803	Woodscrew #8 x 3/4		24
				30.891	PIVOT PIN, Folding seat		
				100100	1550-51-70-71-90-1		4
				30.892	RETAINER, Folding seat pivot pin		
				314620	1550-1-70-1-90-1		2
				8204	(50.002) Screw 1/4-28 x 2" flat hd. 1550-1-70-1		4
				30.893	SUPPORT ASSEMBLY, Folding seat		
				184851	(Right) 1532		1
				184852	(Left) 1532		1
				4585	Woodscrew #14 x 1 oval hd. (Chrome)		16
				30.894	SUPPORT, Folding seat		
				337482	Right 1550-1-70-1		2
				374370	Right 1590-1		2

INDEX NO.	PART NO.	DESCRIPTION AND MODELS	PER CAR	INDEX NO.	PART NO.	DESCRIPTION AND MODELS	PER CAR
FOLDING—Continued				FRONT—Continued			
30.894	SUPPORT, Folding seat (Cont'd)			30.9185	GUARD, Front seat luggage		
	337483 Left 1550-1-70-1	2	365588	(Not used on Boston jobs) 1584	1
	374371 Left 1590-1	2	369699	Woodscrew #12 x 1	1
30.895	SCREW, Folding seat support to seat frame			8082	Screw 1/4-20 x 1-1/2	1
	327317 1550-1-70-1-90-1	x	7304	Nut 1/4-20	1
	325988 (Outer) 1570-1-90-1	2	5502	Lockwasher 1/4	1
	5506 (50.220) Lockwasher 3/8	4	30.927	HANDLE, Front seat operating		
	6350 Nut 3/8-24	4	370377	(Chrome) LHD 1951-1502-12-22-72-82-92	1
FRONT				▲380615	(Paint) LHD 1502-12-22-72-82-92	1
<i>Note:— For Front Seat Trim Refer To Index Code 31.452 thru 31.4558</i>				363144	LHD 1505-15-25-42-51-62-71-75	1
30.900	SPRING, Front seat back			372538	(Chrome) RHD 1502-12-82-92	1
	370764 1951	1	▲380599	(Paint) RHD 1502-12-82-92	1
	380830 1502-12-72-82-92	1	363145	RHD 1505-15-42-51-62-71-79-85-8-9-95-8-9	...	1
	380856 1522	1	8103	Screw 5/16-24 x 5/8 1502-12-22-72-82-92	1
	359057 1532-50	1	7362	Screw #10-32 x 7/16 1505-15-25-42-51-62-71-9-85-89-95-8-9	1
	363314 1542	1	381069	Washer 1502-12-22-72-82-92	1
	363315 1551	1	374977	Washer 1505-15-25-75-85-8-95-8	1
	359547 1562-71-91	1	30.9270	ESCUTCHEON, Front seat operating handle		
	359522 1570-90	1	372559	1951-1502-12-72-82-92	1
	374440 Right 1505-15-75-85-8-95-8	1	374125	1505-15-25-75-85-88-95-98	1
	374466 Right 1525	1	380101	1522	1
	359534 Right 1579-89-99	1	30.9272	LEVER, Front seat operating		
	374441 Left 1505-15-75-85-8-95-8	1	372881	1951-1502-12-22-72-82-92	1
	374467 Left 1525	1	372260	Pivot pin	1
	359535 Left 1579-89-99	1	30.92723	LEVER AND PIVOT BRACKET ASSEMBLY, Front seat operating		
	31338 (50.210) Ferrule #10 1579-89-99	2	376007	1951-1502-12-22-72-82-92	1
	7063 (50.230) Lockwasher #12 1542-51-62-71-9-89-91-99	2	30.92725	BRACKET, Front seat operating lever pivot		
	7140 (50.300) Screw #10 x 1/2 1505-15-25-75-88-95-98	2	372261	1951-1502-12-22-72-82-92	1
	7654 (50.300) Screw #10 x 3/4 1542-51-62-71-9-89-91-99	2	6044	(50.230) Lockwasher	2
	7679 (50.300) Screw #10 x 1-1/2 1579-89-99	2	7305	Nut 5/16 x 18	2
30.908	SPRING, Front seat cushion			7139	Screw 5/16 x 18 x 5/8	2
	370919 1951	1	30.92727	SPRING, Front seat operating lever retracting		
	376952 1502-12-72	1	372411	1951-1502-12-22-72-82-92	1
	374442 1505-15-75-85-8-95-8	1	30.9273	RELAY, Front seat operating lever		
	380852 1522	1	363215	1505-15-25-42-51-62-71-5-9-85-8-9-91-5-8-9	1
	374468 1525	1	30.9274	LINK, Front seat operating relay to track		
	359523 1532-50	1	375501	1505-15-25-75-85-8-95-8	1
	359521 1542	1	363142	1542-51-62-71-9-89-91-9	1
	359520 1551	1	4290	(50.240) Cotter pin 3/32 x 5/8	2
	359544 1562-71-91	1	30.9276	BRACKET, Front seat operating lever shaft		
	359546 1570-90	1	374276	1505-15-25-75-85-8-95-8	1
	359528 (LHD) 1579-99	1	363143	1542-51-62-71-9-89-91-9	1
	380877 1582-92	1	30.9277	SPRING, Front seat operating lever		
	369911 1584	1	374617	(Not used on RHD 1505-15-85-8-95-8) 1505-15-25-75-85-8-95-8	1
	359532 (LHD) 1589	1	363214	LHD 1542-51-62-71-9-89-91-9	1
30.913	HINGE, Front seat			373623	RHD 1505-15-85-8-95-8	1
	366198 (Center - Right) 1579-89-99	1	30.930	TRACK ASSEMBLY, Front seat operating		
	366199 (Center - Left) 1579-89-99	1	372251	Right 1951-1502-12-22-72-82-92	1
	349596 (Side - Right) 1579-89-99	1	374130	Right 1505-15-25-75-85-88-95-98	1
	349597 (Side - Left) 1579-89-99	1	372250	Left 1951-1502-12-22-72-82-92	1
30.914	BRACKET, Front seat hinge			374131	Left 1505-15-25-75-85-88-95-98	1
	374148 (Center) 1505-15-25-75-85-8-95-8	1	372973	Screw (to floor pan)	8
	366200 (Center) 1579-89-99	1	372354	Screw spacer	x
	374150 (Side - Right) 1505-15-25-75-85-8-95-8	1	30.9303	ANTI-SQUEAK, Front seat operating track to seat bottom frame		
	349174 (Side - Right) 1579-89-99	1	372130	1951	1
	374151 (Side - Left) 1505-15-25-75-85-8-95-8	1	374211	1505-15-25-75-85-8-95-8	4
	349175 (Side - Left) 1579-89-99	1	30.9305	BALL, Front seat operating track		
30.915	SCREW, Front seat hinge pivot			372003	(5/8 dia.) 1951-1502-12-22-72-82-92	4
	310404 (Center) 1579-89-99	1	372739	(5/16 dia.) 1951-1502-12-22-72-82-92	8
	349630 (Side) 1579-89-99	2				
	6048 Lockwasher (side) 3/8	2				
	366522 Nut (center)	1				
	349631 Spacer (side)	2				
	335227 Springwasher (side)	2				
	6614 Washer (center) 7/16	1				

▲Used on Clipper Four Door Sedans built after Jan. 1, 1942 only. All other body types have chrome trim.

INDEX NO.	PART NO.	DESCRIPTION AND MODELS	PER CAR	INDEX NO.	PART NO.	DESCRIPTION AND MODELS	PER CAR
FRONT—Continued				REAR—Continued			
30.9307	GEAR RACK, Front seat operating track			30.9405	TRIM STRIP, Rear seat cushion bolster		
	376111 1951-1502-12-22-72-82-92		2		370052 (Stainless steel) 1951		1
30.9308	LOCK, Front seat operating track				376099 Nut 1951		2
	370474 1951-1502-12-22-72-82-92		1		7671 Screw #4 x 3/4 1951		2
30.931	ROD, Front seat operating track cross			30.941	SPRING, Rear seat cushion		
	372004 1951-20th Sr.		1		370920 1951		1
	372721 Cotter pin		1		376881 (Special Equipment with air cond.)		1
30.9313	SPRING, Front seat retracting				376953 1502-12-72-82-92		1
	372410 1951-1502-5-12-15-22-25-72-75-82-85-88-92-95-98		1		374444 1505-15-75		1
	363399 1542-51-62-71-9-89-91-9		1		380857 1522		1
30.9315	BRACKET, Front seat retracting spring				374463 1525		1
	372328 1951		1		359509 1532-42		1
30.933	MECHANISM, Front seat support operating				359510 1550-1		1
	372251 Right (LHD) 1502-12-22-72-82-92		1		359505 1562		1
	374130 Right (LHD) 1505-15-25-75-85-8-95-8		1		359508 1570-1-90-1		1
	359802 Right (LHD) 1542-51-62-71-8-89-91-9		1		359516 1579-89-99		1
	372250 Left (LHD) 1502-12-22-72-82-92		1		369913 1584		1
	374131 Left (LHD) 1505-15-25-75-85-8-95-8		1		374454 (Cloth jobs) 1585-95		1
	359803 Left (LHD) 1542-51-62-71-8-89-91-9		1		374444 (Leather jobs) 1585-95		1
	380159 Right (RHD) 1502-12-82-92		1	30.942	ARM REST ASSEMBLY, Rear seat folding		
	374132 Right (RHD) 1505-15-85-8-95-8		1		376140 (Untrimmed) 1951-1502-12-22-25-72		1
	380160 Left (RHD) 1502-12-82-92		1		349000 (Untrimmed) 1532-42-50-1-62-70-1		1
	374133 Left (RHD) 1505-15-85-8-95-8		1	30.9425	BRACKET ASSEMBLY, Rear seat folding arm rest		
	5504 (50.220) Lockwasher 5/16 std.		x		376148 1951-1502-12-22-72-82-92		1
	6151 (50.003) Screw 5/16-24 x 1-1/4 hex. hd.		4	30.944	LINK, Rear seat folding arm rest		
	372973 Screw (To floor pan)		8		376261 Lower 1502-12-22-25-72		2
	374428 Screw (To seat bottom frame) 5/16-24 x 1-5/16		4		342134 Lower 1532-42-50-1-62-70-1		2
	370471 Stud (To seat bottom frame) 1502-12-22-72-82-92		6		342135 Upper 1502-12-22-5-72		2
	6359 washer 5/16 1502-12-22-72-82-92		2		342135 Upper 1532-42-50-1-62-70-1		2
	7005 Nut 5/16-24 1502-12-22-72-82-92		6	30.945	SCREW, Rear seat folding arm rest pivot		
30.935	SHAFT, Front seat support operating mechanism connecting				311143 1502-12-22-5-32-42-50-1-62-70-1-2		4
	372004 1502-5-12-15-22-25-72-75-82-85-88-92-95-98		1		5502 (50.220) Lockwasher 1/4 1525-32-42-50-1-62-70-1		4
	318553 1542-51-62-71		1		7004 (50.100) Nut 1/4-28 1525-32-42-50-1-62-70-1		4
	325872 1579-89-99		1		7319 (50.200) Plain washer 1/4 1525-32-42-50-1-62-70-1		4
					342137 Spacer 1502-12-22-5-32-42-50-1-62-70-1-2		4
					211809 Springwasher 1525-32-42-50-1-62-70-1		4
				30.946	SPRING, Rear seat folding arm rest		
					370980 1951-1502-12-25-72		1
					380853 1522		1
					359503 1532-42-50-1-62-70-1		1
				30.947	GRAB HANDLE, Rear seat		
30.940	SPRING, Rear seat back				369094 Right 1584		1
	370976 1951		1		369095 Left 1584		1
	376954 Right 1502-12-72		1		8090 Screw #12 x 1-1/4		10
	380854 Right 1522		1				
	374464 Right 1525		1				
	363308 Right 1532-42		1				
	363310 Right 1550-1		1				
	363300 Right 1562		1				
	363306 Right 1570-1		1				
	370977 Left 1951		1				
	376955 Left 1502-12-72		1				
	380855 Left 1522		1				
	374465 Left 1525		1				
	363309 Left 1532-42		1				
	363311 Left 1550-1		1				
	363301 Left 1562		1				
	363307 Left 1570-1		1				
	374443 1505-15-75-85-95		1				
	359518 1579-89-99		1				
	380811 1582-92		1				
	369914 1584		1				
	374257 1590-1		1				
	359371 Screw		2				

Note:- For Rear Seat Trim Refer To Index Code 31.461 thru 31.463

▲Used on Clipper Four Door Sedans built after Jan. 1, 1942 only. All other body types have chrome trim.

INDEX NO.	PART NO.	DESCRIPTION AND MODELS	PER CAR
TOP			
31.000	TOP ASSEMBLY, Less fabric (See Index #31.441 for cloth parts)		
	359724 1579-89-99		1
31.009	LINK, Top balance		
	359956 Right 1579-89-99		1
	363991 Left 1579-89-99		1
31.012	SPRING, Top balance		
	363958 1579-89-99		2
	359958 Rivet		8
	359957 Spacer		10
31.013	BRACKET, Top balance spring		
	353197 1579-89-99		2
31.015	BOW, Top		
	359967 #1 (Auxiliary) 1579-89-99		1
	359968 #2 1579-89-99		1
	363992 Rear (Auxiliary) 1579-89-99		1
31.016	BOLT, Top bow auxiliary (to rear bow seat iron)		
	353284 1579-89-99		2
	363703 Spring washer		4
31.018	STUD, Top #1 auxiliary bow (to bracket)		
	328511 1579-89-99		2
	7304 Nut		4
31.025	LINK, Top control (#1 auxiliary bow)		
	366422 Front 1579-89-99		2
	366422 Rear right 1579-89-99		1
	366423 Rear left 1579-89-99		1
31.029	HINGE ASSEMBLY, Top folding pillar		
	366444 Right 1579-89-99		1
	366445 Left 1579-89-99		1
31.031	PIVOT SCREW, Top folding pillar hinge		
	325880 Front 1579-89-99		2
	363254 Rear 1579-89-99		2
	328617 (50.150) Nut		2
	363207 Spacer		2
	202056 (50.242) Spring washer		2
31.032	BRACKET, Top folding pillar hinge		
	349580 Right rear 1579-89-99		1
	349581 Left rear 1579-89-99		1
	5506 (50.220) Lockwasher 3/8		4
	7818 (50.003) Screw		4
31.033	DOVE TAIL, Top folding pillar hinge		
	366336 Right 1579-89-99		1
	366337 Left 1579-89-99		1
	5713 (50.425) Rivet 1/4 x 5/8		8
31.037	WEATHERSTRIP ASSEMBLY, Top bow (front)		
	950410 1579-89-99		1
31.038	CROSS BAR, Top (front)		
	359961 1579-89-99		1
31.039	BRACKET, Top front cross bar		
	363002 Right 1579-89-99		1
	363003 Left 1579-89-99		1
	363005 Center 1579-89-99		1
31.046	PAD, Top front cross bar clamp bracket		
	363658 Right 1579-89-99		1
	363659 Left 1579-89-99		1
31.050	ROD, Top front cross bar control		
	363004 1579-89-99		1
31.0513	CATCH, Top front cross bar lock		
	363006 Right 1579-89-99		1
	363007 Left 1579-89-99		1
	363008 Center 1579-89-99		1

INDEX NO.	PART NO.	DESCRIPTION AND MODELS	PER CAR
TOP—Continued			
31.0525	SHAFT, Top front cross bar lock		
	363043 1579-89-99		1
31.053	STRAP ASSEMBLY, Top hold down		
	363959 1579-89-99		2
31.054	LOOP, Top hold down strap footman		
	327381 1579-89-99		4
	363212 (50.150) Speed nut		4
	7056 (50.025) Screw #10-24 x 5/8 (To body)		4
	7456 (50.025) Screw #10-32 x 7/16 (To top)		4
31.0553	PILLAR, Top		
	366250 Right 1579-89-99		1
	366251 Left 1579-89-99		1
31.0556	FILLER, Top pillar		
	366252 Right 1579-89-99		1
	366253 Left 1579-89-99		1
31.056	BUMPER, Top pillar		
	363998 1579-89-99		2
31.0562	PROP JOINT ASSEMBLY, Top		
	359974 1579-89-99		1
	359975 1579-89-99		1
31.0563	PROP JOINT, Top (lower)		
	359972 Right 1579-89-99		1
	359973 Left 1579-89-99		1
31.0565	STRAP, Top rear auxiliary bow to main bow		
	363221 1579-89-99		2
31.061	GLASS, Top rear window		
	313561 1579-89-99		1
31.062	FRAME		
	313563 Inner 1579-89-99		1
	313562 Outer 1579-89-99		1
	6786 (50.025) Screw #6-32 x 3/8		16
31.063	WEATHERSTRIP, Top rear window glass		
	325919 1579-89-99		1
31.074	RAIL ASSEMBLY, Top side		
	366424 Right 1579-89-99		1
	366425 Left 1579-89-99		1
31.085	SLAT IRON, Top		
	359978 Right 1579-89-99		1
	359970 Right rear 1579-89-99		1
	359979 Left 1579-89-99		1
	359971 Left rear 1579-89-99		1
31.086	BOLT, Top slat iron		
	353342 (To rear bracket) 1579-89-99		2
31.094	RETAINER, Top side curtain		
	359726 1579-89-99		2
	349888 Nut		8
	7053 Rivet		8
	7055 Screw #8-32 x 7/32		8
	353383 Washer 1/8		16
31.098	CLAMP BRACKET, Top to windshield header		
	349782 Center 1579-89-99		1
	359658 Right side 1579-89-99		1
	359659 Left side 1579-89-99		1
	7040 (50.025) Screw #10 x 1/2		4
	7467 (50.025) Screw #10-24 x 7/16		7
31.099	HANDLE, Top windshield header clamp		
	349666 1579-89-99		1
	302161 Pin		1
31.100	ESCUTCHEON PLATE, Top windshield header clamp handle		
	359424 (Green) 1579-89-99		1

INDEX NO.	PART NO.	DESCRIPTION AND MODELS	PER CAR	INDEX NO.	PART NO.	DESCRIPTION AND MODELS	PER CAR
TOP—Continued				TRUNK			
31.100		ESCUTCHEON PLATE, Top windshield header clamp handle (Cont'd)		31.1505		RACK ASSEMBLY, Trunk compartment	
	359423	(Blue) 1579-89-99	1	365429	1584		1
	374509	(Brown) 1579-89-99	1	31.1507		BRACKET, Trunk compartment rack	
	363370	(Maroon) 1579-89-99	1	369064	1584		2
31.101		INSERT, Top windshield header clamp handle		369068	Upper 1584		4
	349667	1579-89-99	1	31.157		LID ASSEMBLY, Trunk	
31.102		WEATHERSTRIP, Top to windshield header		372518	1951		1
	349628	1579-89-99	1	376659	1502-12-22-72-82-92		1
31.104		VALVE ASSEMBLY, Top vacuum control		926011	1505-15-25-75-85-8-95-8		1
	359655	1579-89-99	1	925389	1532-42-50-51-62-70-71		1
31.105		BRACKET, Top vacuum control valve		925401	1579		1
	363268	(Tan) 1579-89-99	1	925416	1584		1
	363618	(Blue gray) 1579-89-99	1	925251	1589-99		1
	374652	(Black) 1579-89-99	1	926087	1590-91		1
	366073	(Green gray) 1579-89-99	1	31.1573		MOULDING, Trunk lid belt	
31.106		KNOB, Top vacuum control valve		372288	(Chrome) Right 1951-1502-12-22-72-82-92		1
	359384	(Blue) 1579-89-99	1	▲380568	(Prime) Right 1502-12-22-72-82-92		1
	359385	(Maroon) 1579-89-99	1	374302	Right 1505-15-25-75-85-8-95-8		1
	363968	(Green) 1579-89-99	1	372289	(Chrome) Left 1951-1502-12-22-72-82-92		1
	374651	(Brown) 1579-89-99	1	▲380569	(Prime) Left 1502-12-22-72-82-92		1
	5935	(50.230) Lockwasher #10	1	374303	Left 1505-15-25-75-85-8-95-8		1
31.107		CYLINDER ASSEMBLY, Top vacuum		31.1576		RETAINER, Trunk lid belt moulding	
	359834	Right 1579-89-99	1	372548	1951-1502-12-22-72-82-92		2
	359835	Left 1579-89-99	1	374308	1505-15-25-75-85-8-95-8		2
	4290	(50.240) Cotter pin 3/32 x 5/8	2	376205	Rivet 11/64 x 5/16		10
	349760	Grommet (Rubber)	4	31.158		BRACE ASSEMBLY, Trunk lid	
	7059	(50.555) Pivot pin (To floor bracket)	2	357438	1532-42-50-1-62-70-1-84-90-1		1
	312667	(50.242) Spring washer	2	357438	1579-89-99		2
31.1075		BALL JOINT, Top vacuum cylinder		5502	(50.220) Lockwasher 1/4		x
	359959	1579-89-99	2	7704	(50.100) Nut 1/4-28		x
31.1080		GROMMET, Top vacuum cylinder (to floor pan bracket pivot pin) rubber		3868	Plain washer 1/4		x
	349760	1579-89-99	4	363924	Screw (To drain gutter)		x
31.110		HOSE, Top vacuum control		363947	Screw (To lid)		x
	98774	5/8" O.D. x 11 1/32" I.D. 1579-89-99	1	31.164		HINGE ASSEMBLY, Trunk lid	
31.111		TUBE, Top vacuum (control valve to chassis manifold tube)		372228	1951-1502-12-22-72-82-92		2
	357777	LHD 1579-89-99	1	374294	1505-15-25-75-85-8-95-8		2
	359115	(50.600) Clip	5	331837	1532-42-50-1-62-70-1-84-90-1		2
	7653	(50.300) Screw #10 x 3/8	5	359048	1579-89-99		2
31.112		TUBE, Top vacuum (chassis frame)		5502	(50.220) Lockwasher 1/4 1532-42-50-1-62-70-1-9-84-9-90-1-9		x
	357771	Upper 1579-89-99	1	5504	(50.220) Lockwasher 5/16 1532-42-50-1-62-70-1-84-90-1		4
	357772	Lower 1579-89-99	1	370198	Pin 1951-1502-12-22-72-82-92		2
	359117	(50.600) Clip	4	6889	Pin 5/16 x 1-1/4 1532-42-50-1-62-70-1-84-90-1		2
31.113		TUBE, Top vacuum (dash)		5283	Pin 5/16 x 1-3/8 1579-89-99		2
	357775	LHD 1579-89-99	2	376265	(50.200) Plain washer 5/16 1951-1502-5-12-5-22-5-72-5-82-5-8-92-5-8		x
	349587	(50.600) Clip	2	376016	Screw 1951-1502-5-12-5-22-5-72-5-82-5-8-92-5-8		x
	7653	(50.300) Screw #10 x 3/8	2	331597	Screw 5/16-24 x 3/4 1532-42-50-1-62-70-1-84-90-1		4
31.114		TUBE, Top vacuum (rear floor pan riser)		330531	Screw 1/4-28 x 23/32 1532-42-50-1-62-70-1-9-84-9-90-1-9		x
	359675	1579-89-99	2	31.1645		BRACKET, Trunk lid hinge	
	349587	(50.600) Clip	4	328834	1532-42-50-1-62-70-1-84-90-1		2
	6756	(50.300) Screw #10 x 5/8	4	325981	1579-89-99		2
31.115		GROMMET, Top vacuum tube rubber		31.1652		LINK, Trunk lid hinge	
	359116	1579-89-99	x	372834	1951-1502-12-22-72-82-92		4
31.116		HOSE, Top vacuum tube		370199	Pivot pin		2
	359730	(To chassis frame tube) 1579-89-99	4	31.166		SPRING, Trunk lid hinge	
	366535	(To control valve) 1579-89-99	2	370313	1951-1502-12-22-72-82-92		4
	359732	(Rear floor pan front) 1579-89-99	2				
	359733	(Rear floor pan rear) 1579-89-99	2				

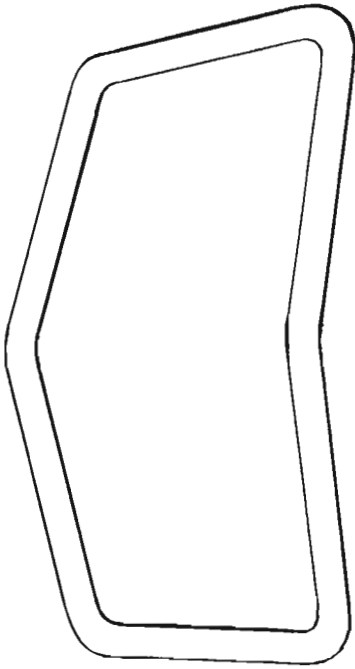
INDEX NO.	PART NO.	DESCRIPTION AND MODELS	PER CAR	INDEX NO.	PART NO.	DESCRIPTION AND MODELS	PER CAR
TRUNK—Continued				TRUNK—Continued			
31.167		LOCK ASSEMBLY, Trunk lid		31.187		STRIKER, Trunk lid lock	
	372343	1951-1502-5-12-5-22-5-72-5-82-5-8-92-5-8	1		372575	1951-1502-5-12-5-22-5-72-5-82-5-8-92-5-8	1
	363076	1532-42-50-1-62-70-1-9-84-9-90-1-9	1		353648	Right 1532-42-50-1-62-70-1-84-90-1	1
	372751	Screw #12-24 x 1/2 1951-1502-5-12-5-22-5-72-5-82-5-8-92-5-8	4		357400	Right 1579-89-99	1
	349293	Screw 1/4-28 x 1/2 1532-42-50-1-62-70-1-9-84-9-90-1-9	8		353649	Left 1532-42-50-1-62-70-1-84-90-1	1
					357401	Left 1579-89-99	1
					5396	(50.230) Lockwasher 1/4 1505-15-25-75-85-8-95-8	1
31.1675		CYLINDER ASSEMBLY, Trunk lid lock			372735	Screw 1/4-20 x 1/2 1505-15-25-75-85-8-95-8	1
	370521	(Type without dust cover) (Not cut) 1951-1502-5-12-5-22-5-72-5-82-5-8-92-5-8	1	31.188		PLATE, Trunk lid lock striker	
	380341	(Type with dust cover) (Not cut) 1951-1502-5-12-5-22-5-72-5-82-5-8-92-5-8	1		372575	1951	1
	370557	Clip (Not used on 1584)	1		372493	1502 5-12-5-22-5-72-5-82-5-8-92-5-8	1
31.1677		GASKET, Trunk lid lock cylinder		31.1893		NAME PLATE, Trunk lid	
	370048	1951-1502-5-12-5-22-5-72-5-82-5-8-92-5-8	1		375038	(Packard) 1951-1502-5-12-5-22-5-72-5-82-5-8-92-5-8	1
31.173		HANDLE, Trunk lid lock (with key lock)			363640	(One Eighty) 1532-42-50-51	1
	356606	1532-42-50-1-62-70-1-9-89-90-1-9	1		363641	(One Sixty) 1562-70-71-79	1
	353192	1584	1		372092	Fastener 1951-1502-5-12-5-22-5-72-5-82-5-8-92-5-8	2
	7004	(50.100) Nut 1/4-20 (Not used on 1584)	1		363661	Gasket (Stud) 1532-42-50-51-62-70-71-79	5
	7304	Nut 1/4-20 1584	1		5935	(50.230) Lockwasher #10 1532-42-50-51-62-70-71-79	5
	351749	Stud (Not used on 1584)	1		6474	(50.100) Nut #6-32 1532-42-50-51-62-70-71-79	5
	7484	Screw 1/4-28 x 5/8 1584	1		7328	(50.200) Washer #6 1532-42-50-51-62-70-71-79	5
	5772	Screw #10-32 x 3/8 1584	1	31.1895		PANEL ASSEMBLY, Trunk lid (inner)	
	6587	Lockwasher #10 1584	1		370039	1951-1502-12-22-72-82-92	1
	5502	Lockwasher 1/4 1584	1	31.190		WEATHERSTRIP, Trunk lid	
31.1735		HANDLE, Trunk lid lock			370208	Lower 1951	1
	370579	(Chrome) 1951-1502-5-12-5-22-5-72-5-82-5-8-92-5-8	1		380262	Lower 1502-12-22-72-82-92	1
	*380576	(Paint) 1502-12-22-72-82-92	1		357894	Lower 1532-42-50-1-62-70-1-9-84-9-90-1-9	1
	372236	Acorn nut 3/8-24	1		370207	Upper 1951	1
	372455	Locking washer	1		380261	Upper 1502-12-22-72-82-92	1
	7989	(50.002) Screw #10-32 x 5/8 (Chrome)	1		359038	Upper 1532-42-50-1-62-70-1-84-90-1	1
31.174		CYLINDER LOCK, Trunk lid lock handle			359039	Upper 1579-89-99	1
	337017	1532-42-50-1-62-70-1-9-84-9-90-1-9	1		375346	1505-15-25-75-85-8-95-8	1
	229255	(50.680) Key (Not cut specify Key No.)	1		8077	(50.300) Screw #8 x 1/2 tapping 1505-15-25-75-85-8-95-8	1
31.1741		WASHER, Trunk lid lock handle cylinder stop		31.195		BOLT, Trunk tire clamp	
	351754	1532-42-50-1-62-70-1-9-89-90-1-9	1		372200	1951-1502-5-12-5-22-5-72-5-82-5-8-92-5-8	1
31.175		ESCUTCHEON, Trunk lid lock handle			359751	1532-42-50-1-62-70-1-90-1	1
	353193	1584	1		359844	1579-89-99	1
31.176		GASKET, Trunk lid lock handle			359916	1584	1
	372924	1951-1502-5-12-5-22-5-72-5-82-5-8-92-5-8	1		4290	(50.240) Cotter pin 1579-84-9-99	1
	349285	1584	1		3874	(50.200) Plain washer 1579-84-9-99	1
31.177		PAWL, Trunk lid lock handle lock			7321	(50.200) Washer 7/16 1532-42-50-1-62-70-1-9-89-99	1
	354235	1532-42-50-1-62-70-1-9-89-90-1-9	1	31.1955		BRACKET ASSEMBLY, Trunk tire clamp bolt floor pan	
31.178		SPRING, Trunk lid lock handle lock pawl			372082	1951-1502-5-12-15-22-25-72-75-82-85-88-92-95-98	1
	351985	1532-42-50-1-62-70-1-9-89-90-1-9	1		363035	1532-42-50-1-62-70-1-90-1	1
31.179		SPRING, Trunk lid lock handle lock cylinder			359781	1579-89-99	1
	351752	1532-42-50-1-62-70-1-9-89-90-1-9	1		363675	1584	1
31.180		SEAT, Trunk lid lock handle lock cylinder spring			7372	Screw 1/4-28 x 5/8 1584	2
	351984	1532-42-50-1-62-70-1-9-89-90-1-9	1		5502	Lockwasher 1/4 1584	2
31.181		RETAINER, Trunk lid lock handle lock cylinder spring			7004	Nut 1/4-28 1584	2
	351757	1532-42-50-1-62-70-1-9-89-90-1-9	1	31.1964		WING NUT, Trunk tire clamp bolt	
31.182		SPRING, Trunk lid lock handle			359752	1951-1502-5-12-5-22-5-32-42-50-1-62-70-1-2-5-82-5-8-90-1-2-5-8	1
	348628	1532-42-50-1-62-70-1-9-89-90-1-9	1		359845	1579-84-9-99	1
31.183		RETAINER, Trunk lid lock handle spring			7321	(50.200) Washer 7/16 1502-5-12-5-22-5-72-5-82-5-8-90-1-2-5-8	1
	348629	1532-42-50-1-62-70-1-9-89-90-1-9	1		6359	(50.200) Plain washer 5/16	1
31.184		SEAT, Trunk lid lock handle spring		31.1965		SPRING, Trunk tire clamp bolt tension	
	348638	1532-42-50-1-62-70-1-9-89-90-1-9	1		359914	1579-84-89-99	1

Used on Clipper Four Door Sedans built after Jan. 1, 1942 only. All other body types have chrome trim.

TRUNK AND VENTILATOR

31.1966 - 31.232

INDEX NO.	PART NO.	DESCRIPTION AND MODELS	PER CAR	INDEX NO.	PART NO.	DESCRIPTION AND MODELS	PER CAR
TRUNK—Continued				VENTILATOR			
31.1966	CUP, Trunk tire clamp			31.225	COVER ASSEMBLY, Ventilator		
359915	1579-84-9-99	1	372454	1951-1502-5-12-5-22-5-72-5-82-5-8-92-5-8	1
31.1967	PLATE, Trunk tire clamp			359257	1532-42-50-1-62-70-1-9-84-9-90-1-9	1
359129	1951-1502-12-22-5-72-5-82-92	1	6056	Lockwasher 3/16 1532-42-50-1-62-70-1-9-84-9-90-1-9	5
375256	1505-15-85-8-95-8	1	7003	(50.100) Nut #10-32 1532-42-50-1-62-70-1-9-84-9-90-1-9	5
359129	1532-42-50-1-62-70-1-90-1	1	5198	Screw #10-32 x 5/8 1532-42-50-1-62-70-1-9-84-9-90-1-9	5
31.197	COVER ASSEMBLY, Trunk tire			6653	Washer 3/16 1532-42-50-1-62-70-1-9-84-9-90-1-9	10
359951	1579	1				
359919	1589-99	1	31.226	LINK, Ventilator cover adjusting		
31.199	ANTI-RATTLER, Trunk tire cover			372062	Lower 1951-1502-5-12-5-22-5-72-5-82-5-8-92-5-8	1
320898	1579-89-99	3	366451	Lower 1532-42-50-1-62-70-1-9-84-9-90-1-9	1
31.202	STOP, Trunk tire			372063	Upper 1951	1
366316	Right 1532-42-50-1-62-70-1-90-1	1	376211	Upper 1502-5-12-5-22-5-72-5-82-5-8-92-5-8	1
366317	Left 1532-42-50-1-62-70-1-90-1	1	359253	Upper 1532-42-50-1-62-70-1-9-84-9-90-1-9	1
				5500	(50.220) Lockwasher #10	1
				5502	(50.220) Lockwasher #10	1
				7003	(50.100) Nut #10-32	1
				7004	(50.100) Nut 1/4-28	1
				310145	Rivet	1
				325681	Screw (To hinge)	1
				5198	Screw #10-32 x 5/8	1
				314537	Spring washer	1
				6757	(50.200) Washer #10 plain	2
				31.227	SCREW, Ventilator cover adjusting link (to hinge)		
				325681	1951-1502-5-12-5-22-5-72-5-82-5-8-92-5-98	...	1
				7004	(50.100)	1
				5502	(50.220)	1
				31.2283	PANEL, Ventilator cover (outer)		
				365135	1951-1502-5-12-15-22-25-72-75-82-85-88-92-95-98	1
				31.2286	PANEL AND DEFLECTOR ASSEMBLY, Ventilator cover (inner)		
				372286	1951-1502-5-12-15-22-25772-75-82-85-88-92-95-98	1
				31.230	BRACE, Ventilator to dash panel		
				372270	1951-1502-5-12-5-22-5-72-5-82-5-8-92-5-8	1
				359251	1532-42-50-1-62-70-1-9-84-9-90	1
				5869	(50.000) Bolt #10-32 x 1/2 1532-42-50-1-62-70-1-9-84-9-90-1-9	2
				5500	(50.220) Lockwasher #10 1532-42-50-1-62-70-1-9-84-9-90-1-9	2
				7003	(50.100) Nut #10-32 1532-42-50-1-62-70-1-9-84-9-90-1-9	2
				4153	Rivet 3/16 x 7/16 1951-1502-5-12-5-22-5-32-42-50-1-62-70-1-2-5-9-82-4-5-8-9-92-5-8-9	..	2
				372519	Screw #10-24 x 1/2 1951-1502-5-12-5-22-5-72-5-82-5-8-92-5-8	2
				31.2304	DEFLECTOR, Ventilator		
				365631	1951-1502-5-12-5-22-5-72-5-82-5-8-92-5-8	1
				359256	1532-42-50-1-62-70-1-9-84-9-90-1-9	1
				31.2305	HOSE, Ventilator drain tube		
				372342	1951-1502-5-12-5-22-5-72-5-82-5-8-92-5-8	1
				325677	1532-42-50-1-62-70-1-9-84-9-90-1-9	1
				372556	clip	1
				7649	(50.300) Screw #8 x 3/8	1
				31.231	HANDLE, Ventilator		
				372076	1951-1502-5-12-5-22-5-72-5-82-5-8-92-5-8	1
				366450	1532-42-50-1-62-70-1-9-84-9-90-1-9	1
				31.232	RETAINER, Ventilator handle ball		
				310139	1951-20th Sr.	1
				310144	Rivet	1



31.239

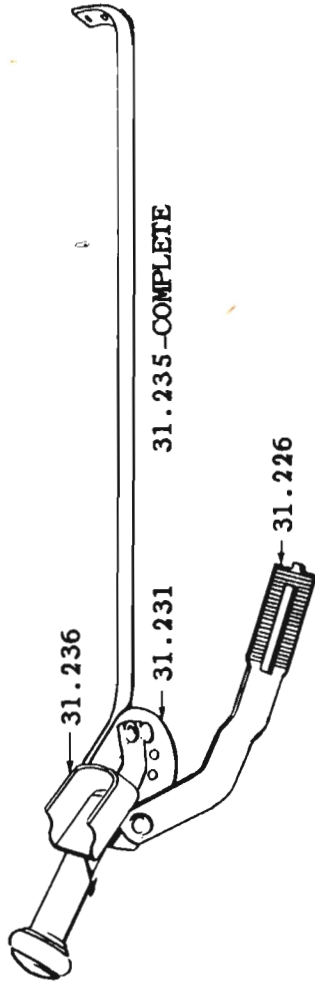


31.232



31.2305

31.233



31.235-COMLETE

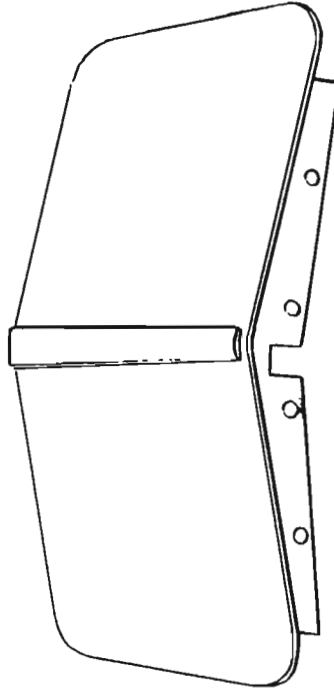
31.236

31.231

31.226



31.234



31.225

COWL VENTILATOR

VENTILATOR AND WELDED ASSEMBLIES

31.2320 - 31.245

INDEX NO.	PART NO.	DESCRIPTION AND MODELS	PER CAR	INDEX NO.	PART NO.	DESCRIPTION AND MODELS	PER CAR
VENTILATOR—Continued				WELDED ASSEMBLIES			
31.2320	BALL, Ventilator handle 5079 1951-20th Sr.	1		31.240	CENTER PILLAR ASSEMBLY		
31.233	SPRING, Ventilator handle ball 310146 1951-20th Sr.	1		372162	Right 1951	1	
31.234	KNOB, Ventilator handle			370022	Right 1502-12-22-72	1	
375049	1502-5-12-5	1		243512	Right 1532	1	
374218	1522-5-72-5	1		353534	Right 1542-51	1	
374381	1532-42-50-1	1		342572	Right 1550-70-90	1	
374218	1562-70-1-90-1	1		380414	Right 1582-92	1	
372850	(Brown) 1951-1579-89-99	1		372163	Left 1951	1	
363605	(Blue) 1579-89-99	1		370023	Left 1502-12-22-72	1	
359249	(Maroon) 1579-89-99	1		243513	Left 1532	1	
359247	(Green) 1579-84-9-99	1		353535	Left 1542-51	1	
372850	1582-5-8-92-5-8	1		342573	Left 1550-70-90	1	
31.2345	INSERT, Ventilator handle knob			380415	Left 1582-92	1	
235721	1951-1505-15-25-32-42-50-1-62-70-1-5-9-84-5-8-9-90-1-5-8-9	1		342568	1562-71-84-91	2	
31.235	SUPPORT AND LINK ASSEMBLY, Ventilator handle			31.2404	ANTI-RATTLER, Center pillar door rubber		
375040	1502-5-12-15	1		372341	1951-1502-12-22-72-82-92	4	
375039	1522-25-72-75	1		31.2405	MOULDING, Center pillar belt		
366458	(Blue) 1579-89-99	1		372494	(Chrome) 1951-1502-12-22-72-82-92	2	
366456	(Maroon) 1579-89-99	1		▲380628	(Prime) 1502-12-22-72-82-92	2	
366453	(Green) 1579-84-9-99	1		372492	(50.092) Screw #10-32 x 1-1/4 1951	2	
372452	1582-85-88-92-95-98	1		376783	(50.092) Screw 1502-12-22-72-82-92	2	
31.236	SUPPORT, Ventilator handle			7003	(50.100) Nut #10-32 1951	2	
372064	1951-1502-5-12-15-22-25-72-75-82-85-88-92-95-98	1		376765	(50.100) Nut 1502-12-22-72-82-92	2	
325675	1532-42-50-1-62-70-1-9-84-9-90-1-9	1		5500	(50.220) Lockwasher 3/16 1951	2	
31.237	HINGE, Ventilator			7154	(50.220) Lockwasher 1502-12-22-72-82-92	2	
372108	Right 1951-1502-5-12-5-22-5-72-5-82-5-8-92-5-8	1		7330	Plain washer 1951	2	
359254	Right 1532-42-50-1-62-70-1-9-84-9-90-1-9	1		31.2406	RIM, Center pillar window finishing		
372109	Left 1951-1502-5-12-5-22-5-72-5-82-5-8-92-5-8	1		372131	(Chrome) 1951-1502-12-22-72-82-92	2	
359255	Left 1532-42-50-1-62-70-1-9-84-9-90-1-9	1		▲380686	(Prime) 1502-12-22-72-82-92	2	
372588	Rivet 9/64 x 3/16	4		372491	Screw	2	
4153	Rivet 3/16 x 7/16	2		7003	(50.100) Nut #10-32	2	
31.2373	SCREEN ASSEMBLY, Ventilator			5500	(50.220) Lockwasher #10	2	
372077	1951-1502-5-12-5-22-5-72-5-82-5-8-92-5-8	1		6757	(50.200) Washer #10	2	
325670	1532-42-50-1-62-70-1-9-84-9-90-1-9	1		7330	Plain washer	2	
372557	Screw 1951	4		31.242	FRONT END ASSEMBLY		
7545	(50.300) Screw #4 x 1/2 tapping 1502-5-12-5-22-5-72-5-82-5-8-92-5-8	1		925433	LHD 1532-42-51	1	
31.2376	TROUGH AND HINGE ASSEMBLY, Ventilator			925268	LHD 1550-62-70-1-90-91	1	
372383	1951-1502-5-12-5-22-5-72-5-82-5-8-92-5-8	1		925274	LHD 1579	1	
31.238	TROUGH AND SCREEN ASSEMBLY, Ventilator			926068	LHD 1584	1	
325661	1532-42-50-1-62-70-1-9-84-9-90-1-9	1		925270	LHD 1589-99	1	
31.239	WEATHERSTRIP, Ventilator			31.243	DOOR UNTRIMMED ASSEMBLY, Front - right		
370209	1951-1502-5-12-5-22-5-72-5-82-5-8-92-5-8	1		Note:- For Front Door Trim Panels Refer To Index Code 31.435 thru 31.4365, For Front Door Parts Refer To Index Code 30.301 thru 30.434			
325671	1532-42-50-1-62-70-1-9-84-9-90-1-9	1		369534	1951	1	
				380484	(Supersedes 376488-376490) 1502-12-72-82-92 ..	1	
				926014	1505-15-25-75-85-8-95-8	1	
				380322	1522	1	
				357502	1532-42-50-1	1	
				357500	1562-70-1-90-1	1	
				357516	1579-89-99	1	
				374683	1584	1	
				31.244	DOOR UNTRIMMED ASSEMBLY, Front - left		
				369535	1951	1	
				380485	(Supersedes 376489-376491) 1502-12-72-82-92 ..	1	
				926015	1505-15-25-75-85-8-95-8	1	
				380323	1522	1	
				357503	1532-42-50-1	1	
				357501	1562-70-1-84-90-1	1	
				363133	1579-99	1	
				357517	LHD 1589	1	
				31.245	DOOR UNTRIMMED ASSEMBLY, Rear - right		
				Note:- For Rear Door Trim Panels Refer To Index Code 31.438. For Rear Door Parts Refer To Index Code 30.438 Thru 30.564			

▲Used on Clipper Four Door Sedans built after Jan. 1, 1942 only. All other body types have chrome trim.

WELDED ASSEMBLIES

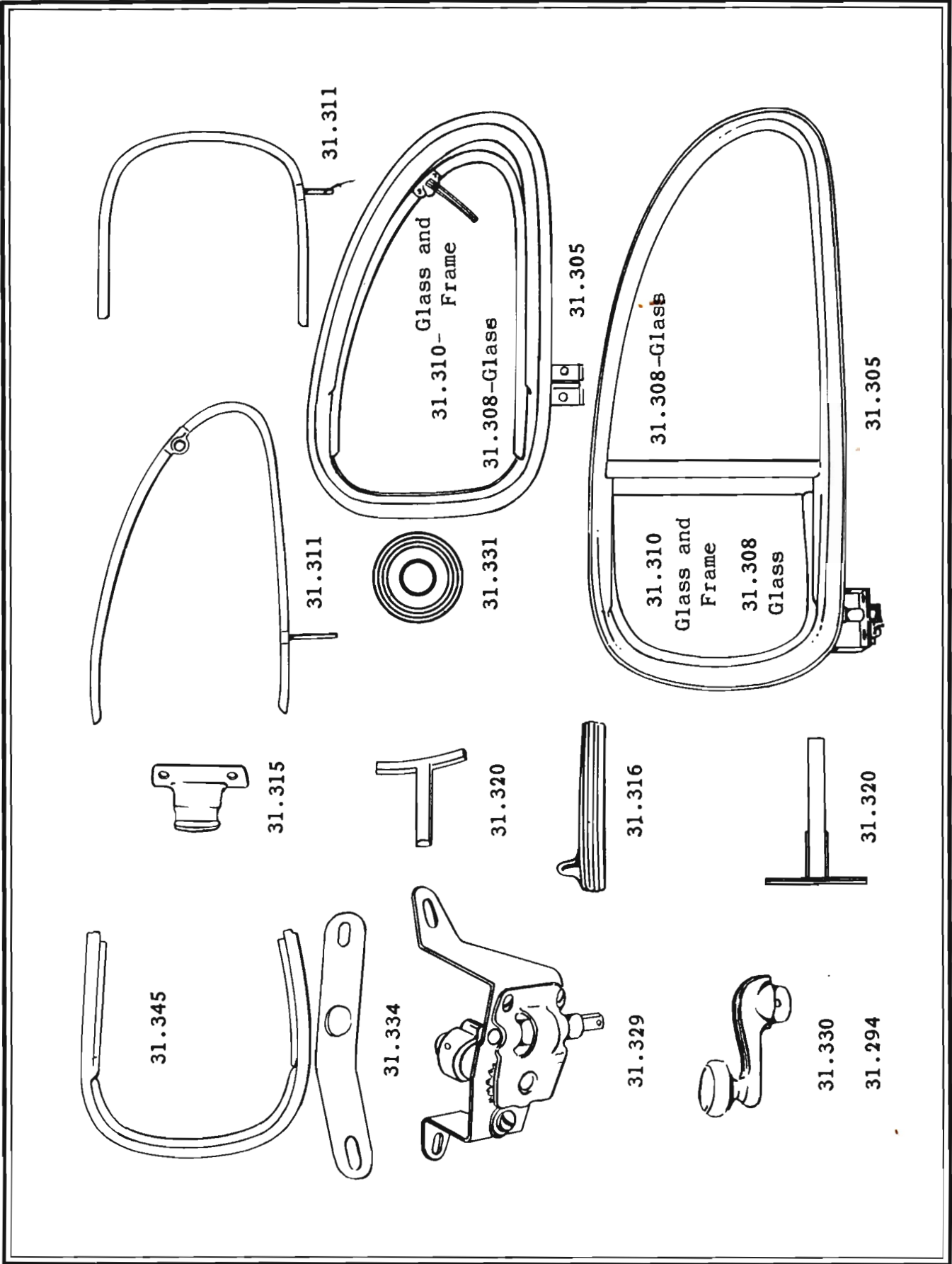
INDEX NO.	PART NO.	DESCRIPTION AND MODELS	PER CAR	INDEX NO.	PART NO.	DESCRIPTION AND MODELS	PER CAR
WELDED ASSEMBLIES—Continued				WELDED ASSEMBLIES—Continued			
31.245		DOOR UNTRIMMED ASSEMBLY, Rear - right (Cont'd)		31.253		ROOF ASSEMBLY	
	369536	1951	1		372072	1951	1
	380482	(Supersedes 369536-370576) 1502-12-72-82-92 .	1		380453	LHD 1502-12-22-72-82-92	1
	380320	1522	1		926022	1505-15-25-75-85-8-95-8	1
	357532	1532	1		925252	1532	1
	357530	1542	1		925437	1542-62	1
	357522	1550-1	1		925436	1550-1-70-1-90-1	1
	357528	1562	1		926058	1584	1
	357520	1570-1-90-1	1		380452	RHD 1502-12-82-92	1
	374660	1584	1				
31.246		DOOR UNTRIMMED ASSEMBLY, Rear - left		31.2535		MOULDING, Roof leather	
	369537	1951	1		349872	Right front 1532	1
	380483	(Supersedes 369537-370577) 1502-12-72-82-92 .	1		353172	Right rear 1532	1
	380321	1522	1		353179	Left front 1532	1
	357533	1532	1		353173	Left rear 1532	1
	357531	1542	1		241473	Screw #4 x 7/8 sheet metal	x
	357523	1550-1	1	31.254		MOULDING, Roof rain gutter	
	357529	1562	1		370390	Right 1951-1502-12-22-72-82-92	1
	357521	1570-1-90-1	1		366784	Right 1505-15-25-75-85-8-95-8	1
	374663	1584	1		349706	Right 1532	1
31.247		FRONT SEAT ASSEMBLY, (Untrimmed)			342122	Right 1542-62-84	1
		<i>Note: - For Front Seat Trim Refer To</i>			342486	Right 1550-1-70-1-90-1	1
		<i>Index Code 31.482 Thru 31.4558</i>			370391	Left 1951-1502-12-22-72-82-92	1
	369678	1951	1		366785	Left 1505-15-25-75-85-8-95-8	1
	380473	1502-12-72-82-92	1		349707	Left 1532	1
	376760	LHD 1522	1		342123	Left 1542-62-84	1
	925390	LHD 1532	1		342487	Left 1550-1-70-1-90-1	1
	925391	1542-51-62-71-91	1	31.2745		MOULDING, Rear quarter belt	
31.2471		BACK ASSEMBLY, Front seat (Untrimmed)			370190	(Chrome) Right 1951-1502-12-22-72-82-92	1
	374134	Right 1505-15-25-75-85-8-95-8	1		▲380608	(Prime) Right 1502-12-22-72-82-92	1
	925072	Right 1579-89-99	1		375204	Right 1505-15-25-75-85-8-95-8	1
	374135	Left 1505-15-25-75-85-8-95-8	1		366070	Right 1542-62-84	1
	925071	Left 1579-89-99	1		366062	Right 1550-1-70-1-90-1	1
31.250		PANEL, Rear end center			370191	(Chrome) Left 1951-1502-12-22-72-82-92	1
	372826	Lower 1951	1		▲380609	(Prime) Left 1502-12-22-72-82-92	1
	353691	(Upper) 1579-89-99	1		375205	Left 1505-15-25-75-85-8-95-8	1
	369416	(Lower) 1502-12-22-72-82-92	1		366071	Left 1542-62-84	1
	366958	(Lower) 1505-15-25-75-85-88-95-98	1		366063	Left 1550-1-70-1-90-1	1
31.251		PANEL ASSEMBLY, Rear end quarter			357842	1532	2
		<i>The Rear Fender on 1502-5-12-5-22-5-72-5-82-5-8-92-5-8 is formed to include the Rear End Quarter Panel Assembly. The Rear Fender extends, below the belt moulding, from the rear door opening to the trunk lid opening.</i>			357846	1579-89-99	2
		<i>Refer to Index Group 7.100 for part numbers and description of Rear Fender which also could be interpreted as being a Rear End Quarter Panel Assembly Lower.</i>			375512	Bolt 1505-15-25-75-85-88-95-98	8
	925325	Right 1532	1		366325	Bolt 1542-50-1-62-70-84-90-1	20
	925319	Right 1542	1		372618	Clip 1951	x
	925301	Right 1550-1	1		376497	Clip 1502-12-22-72-82-92	10
	925321	Right 1562	1		375178	Clip 1505-15-25-75-85-8-95-8	12
	925307	Right 1570-1-90-1	1		364327	(50.600) Clip (front) 1532-42-50-1-62-70-1-9-84-9-90-1-9	4
	925311	Right 1579-89-99	1		366538	(50.600) Clip (rear) 1532-42-50-1-62-70-1-9-84-9-90-1-9	x
	926072	Right 1584	1		366326	Gasket 1505-15-25-42-50-1-62-70-1-5-84-5-8-90-1-5-8	x
	925324	Left 1532	1		5935	(50.230) Lockwasher #10 1505-15-25-42-50-1-62-70-1-5-84-5-8-90-1-5-8	x
	925318	Left 1542	1		7003	(50.100) Nut #10-32 1505-15-25-42-50-1-62-70-1-5-84-5-8-90-1-5-8	x
	925300	Left 1550-1	1		101200	Washer (plain) 1505-15-25-42-50-1-62-70-1-5-84-5-8-90-1-5-8	x
	925320	Left 1562	1	31.2746		CLIP, Rear quarter belt moulding joint cover	
	925306	Left 1570-1-90-1	1		366069	1542-50-1-62-70-1-84-90-1	1
	925310	Left 1579-89-99	1	31.27461		RUBBER SEAL, Rear quarter belt moulding clip	
	926073	Left 1584	1		376658	1951-1502-12-22-72-82-92	10
31.252		DRAIN GUTTER, Rear end panel trunk			375231	1505-15-25-75-85-8-95-8	10
	372874	(Lower) 1951-1502-12-22-72-82-92	1		366326	Front 1532-42-50-1-62-70-1-9-84-9-90-1-9	4
	366478	(Lower) 1505-15-25-75-85-8-95-8	1		366539	Rear 1532-42-50-1-62-70-1-9-84-9-90-1-9	x
	372070	(Top) 1951-1502-12-22-72-82-92	1				
	366895	(Top) 1505-15-25-75-85-8-95-8	1				
	353642	1532-42-50-1-62-70-1-9-84-90-1	1				
	353645	1579-89-99	1				

▲Used on Clipper Four Door Sedans built after Jan. 1, 1942 only. All other body types have chrome trim.

INDEX NO.	PART NO.	DESCRIPTION AND MODELS	PER CAR	INDEX NO.	PART NO.	DESCRIPTION AND MODELS	PER CAR
WINDOW—QUARTER				WINDOW—QUARTER—Continued			
31.280		DUST SEAL, Rear quarter window		31.291		LIFTER ASSEMBLY, Rear quarter window	
	374402	Inner Right 1505-15-25-75	1		374316	Right 1505-15-25-75-85-95	1
	374404	Inner Right 1585-95	1		374317	Left 1505-15-25-75-85-95	1
	375030	Outer Right 1505-15-25-75	1	31.293		REGULATOR ASSEMBLY, Rear quarter window	
	375032	Outer Right 1585-95	1		374424	Right 1505-15-25-75-85-95	1
	374403	Inner Left 1505-15-25-75	1		374425	Left 1505-15-25-75-85-95	1
	374405	Inner Left 1585-95	1		376237	Screw #12-24 x 3/8	8
	375031	Outer Left 1505-15-25-75	1		376038	Pin (To lifter channel stud)	4
	375033	Outer Left 1585-95	1		376037	Washer	4
	372693	Clip (Outer)	14	31.294		HANDLE, Rear quarter window regulator	
31.281		MOULDING, Rear quarter window finishing - right			366671	(Blue) 1505-15	2
	366890	Right 1505-15	1		366672	(Gray) 1525-75	2
	374410	Right 1525-75	1		372466	(Brown) 1585-95	2
	359626	Right 1542	1		132972	Pin	2
	359628	Right 1550-1	1	31.297		PLATE, Rear quarter window regulator handle escutcheon	
	374612	Right 1562	1		366678	(Blue) 1505-15	2
	374548	Right 1570-1	1		366677	(Gray) 1525-75	2
	363510	Right 1584	1		372465	(Brown) 1585-95	2
	374408	Right 1585-8-95-8	1	31.299		RUNWAY ASSEMBLY, Rear quarter window	
	374350	Right 1590-1	1		375026	Right front lower 1505-15-25-75-85-95	1
31.282		MOULDING, Rear quarter window finishing - left			375024	Right Upper 1505-15-25-75	1
	366891	Left 1505-15	1		375022	Right Upper 1585-8-95-8	1
	374411	Left 1525-75	1		375027	Left front lower 1505-15-25-75-85-95	1
	359627	Left 1542	1		375025	Left Upper 1505-15-25-75	1
	359629	Left 1550-1	1		375023	Upper Left 1585-8-95-8	1
	374613	Left 1562	1	31.300		RETAINER, Rear quarter window runway	
	374549	Left 1570-1	1		366736	1505-15-25-75-85-8-95-8	4
	363511	Left 1584	1				
	374409	Left 1585-8-95-8	1				
	374351	Left 1590-1	1				
31.2820		SCREW, Rear quarter window finishing moulding attaching					
	342861	#8 x 1/8 Spl. 1505-15-25-42-50-1-62-70-1-5-84-5-8-90-1-5-8	10				
	235771	Ferrule #6 1542-50-1	10				
31.2855		STRIP, Rear quarter window finishing moulding trim					
	375158	1505-15-25-75	2				
31.2857		PLATE, Rear quarter window finishing moulding trim strip end					
	374406	Right 1505-15-25-75	2				
	374407	Left 1505-15-25-75	2				
	364121	Speed nut	12				
31.286		RIM, Rear quarter window reveal finishing					
	374418	Right 1505-15-25-75-85-8-95-8	1				
	357446	Right 1542-62	1				
	357448	Right 1550-1-70-1	1				
	374419	Left 1505-15-25-75-85-8-95-8	1				
	357447	Left 1542-62	1				
	357449	Left 1550-1-70-1	1				
	375179	Clip 1505-15-25-75-85-8-95-8	14				
	375248	Clip seal 1505-15-25-75-85-8-95-8	14				
		6762 (50.300) Screw #4 x 3/8 1542-50-1-62-70-1	x				
31.2865		COVER, Rear quarter window reveal finishing rim joint					
	359624	1542-50-1-62-70-1	2				
31.287		GLASS, Rear quarter window					
	374883	1505-15-25-75-85-95	2				
	374247	1588-98	2				
31.2875		CUSHION, Rear quarter window glass (everseal)					
	314804	(.060 x 1-3/4) 1505-15-25-75-85-95	x				
	314805	(.070 x 1-3/4) 1505-15-25-75-85-95	x				
	357601	(.080 x 1-3/4) 1505-15-25-75-85-95	x				
31.290		WEATHERSTRIP, Rear quarter window glass					
	374248	1588-89	2				

WINDOW WING—QUARTER

INDEX NO.	PART NO.	DESCRIPTION AND MODELS	PER CAR	INDEX NO.	PART NO.	DESCRIPTION AND MODELS	PER CAR
WINDOW WING—QUARTER				WINDOW WING—QUARTER—Continued			
31.305		WING ASSEMBLY, Rear quarter window - right		31.320		PIVOT, Rear quarter window wing (lower) (Cont'd)	
	359666	1542	1		359006	1550-1-70-1-90-1	2
	359668	1550-1	1		7005	(50.100) Nut 5/16-24 1542-62-84	2
	374614	1562	1		349662	Screw 1550-1-70-1-90-1	2
	374550	1570-1	1		7068	Washer 3/8 plain 1542-62-84	x
	363772	1584	1	31.324		SPRING, Rear quarter window wing pivot lower	
	374352	1590-1	1		359010	1542-62-84	2
31.306		WING ASSEMBLY, Rear quarter window - left		31.3252		WASHER, Rear quarter window wing pivot (lower) stop	
	359667	1542	1		359011	1542-62-84	4
	359669	1550-1	1	31.326		BRACKET, Rear quarter window wing pivot - upper	
	374615	1562	1		349171	(Tee nut type) 1542-62-84	2
	374551	1570-1	1		359007	(Tee nut type) 1550-1-70-1-90-1	4
	363773	1584	1		5861	(50.230) Lockwasher #8 shakeproof	4
	374353	1590-1	1		7430	(50.000) Screw #8-32 x 1/4 Rnd. Hd.	4
31.3060		SCREW, Rear quarter window wing assembly attaching		31.327		BRACKET, Rear quarter window wing pivot lower	
	7682	(50.300) #6 x 1/2 tapping 1542-50-1	10		357326	1542-62-84	2
31.308		GLASS, Rear quarter window wing		31.328		OUTER PLATE, Rear quarter window wing pivot upper bracket	
	357603	1542-62-84	2		311459	1550-1-70-1-90-1	2
	357596	1550-1-70-1-90-1	2	31.329		REGULATOR ASSEMBLY, Rear quarter window wing	
31.309		CUSHION, Rear quarter window wing glass (Everseal)			359022	Right 1550-1-70-1-90-1	1
	366355	(.080 x 1-1/4) 1542-50-1-62-70-1-84-90-1 ...	x		359023	Left 1550-1-70-1-90-1	1
	311439	(.070 x 1-1/4) 1542-50-1-62-70-1-84-90-1 ...	x		311418	Screw 1/4-20 x 5/8	4
	353194	(.060 x 1-1/4) 1542-50-1-62-70-1-84-90-1 ...	x		5937	(50.200) Washer 1/4 plain	4
31.310		GLASS & RETAINER ASSEMBLY, Rear quarter window wing			5502	(50.220) Lockwasher 1/4	4
	359034	1550-1-70-1-90-1	2		7335	(50.100) Nut 1/4-20	4
	371959	Right 1542	1	31.330		HANDLE, Rear quarter window wing regulator	
	371960	Left 1542	1		374505	1550-1	2
31.311		GLASS RETAINER ASSEMBLY, Rear quarter window wing			374504	1570-1	2
	359554	Right 1542-62-84	1		374328	1590-1	2
	359555	Left 1542-62-84	1		353149	Screw	2
31.3110		GLASS RETAINER, Rear quarter window wing			331591	Washer	2
	359004	Front 1550-1-70-1-90-1	2	31.331		ESCUTCHEON PLATE, Rear quarter window wing regulator handle	
	359005	Rear 1550-1-70-1-90-1	2		374507	1550-1	2
31.312		COVER, Rear quarter window wing glass retainer joint			374506	1570-1	2
	349340	1550-1-70-1-90-1	4		374329	1590-1	2
31.314		GLASS RETAINER & LOWER PIVOT ASSEMBLY, Rear quarter window wing		31.3313		GASKET, Rear quarter window wing regulator handle escutcheon plate	
	359035	1550-1-70-1-90-1	2		366289	1550-1	2
31.315		BRACKET, Rear quarter window wing locking		31.333		INSERT, Rear quarter window wing regulator handle	
	349712	1542-62-84	2		133339	1550-1-70-1-90-1	2
	311431	Rivet .142 x 5/32 oval	2	31.334		BRACKET, Rear quarter window wing regulator housing	
31.316		HANDLE, Rear quarter window wing operating			359037	1550-1-70-1-90-1	2
	349710	Right 1542-62	1	31.345		WEATHERSTRIP, Rear quarter window wing	
	349194	Right 1584	1		357196	Right 1542-62-84	1
	349711	Left 1542-62	1		357198	Right 1550-1-70-1-90-1	1
	349195	Left 1584	1		357197	Left 1542-62-84	1
	349055	Pin	2		357199	Left 1550-1-70-1-90-1	1
	304834	Spring washer	x	31.3455		RETAINER, Rear quarter window wing weatherstrip	
31.317		SHAFT, Rear quarter window wing operating handle			359782	Right 1542	1
	318650	1542-62-84	2		359786	Right 1550-1	1
31.318		BRACKET, Rear quarter window wing operating handle shaft support			359783	Left 1542	1
	349723	1542-62-84	2		359787	Left 1550-1	1
31.319		PIVOT, Rear quarter window wing (upper)		31.348		RETAINER & PIVOT BRACKET LOWER ASSEMBLY, Rear quarter window wing weatherstrip	
	363299	1542-62-84	2		359784	Right 1542	1
	304840	1550-1-70-1-90-1	2		359785	Left 1542	1
31.320		PIVOT, Rear quarter window wing (lower)					
	359012	1542-62-84	2				



REAR QUARTER WINDOW WING

WINDOW—REAR AND WINDSHIELD

INDEX NO.	PART NO.	DESCRIPTION AND MODELS	PER CAR	INDEX NO.	PART NO.	DESCRIPTION AND MODELS	PER CAR
WINDOW—REAR				WINDSHIELD			
31.353	GLASS, Rear window			See Index 30.7015 for electrically operated Windshield Wiper.			
	369334	1951-1502-12-22-72-82-92	1	31.3905	HOSE FITTING, Windshield defroster		
	374222	1505-15-25-75-85-8-95-8	1		359772	1532-42-50-1-62-70-1-79-89-90-1-9	2
	357602	1532	1		7649	(50.300) Screw #8 x 3/8 tapping	4
	357150	1542-50-1-62-70-1-84-90-1	1	31.3906	GASKET, Windshield defroster hose fitting		
	313561	1579-89-99	1		366304	1532-42-50-1-62-70-1-79-89-90-1-9	2
31.355	RETAINER, Rear window glass			31.3908	NOZZLE ASSEMBLY, Windshield defroster		
	357792	1532	1		372539	1951-1532-42-50-1-62-70-1-2-9-84-89-99	2
	4817	WoodscREW #8 x 3/4	8		7649	Screw #8 x 3/8	4
31.358	WEATHERSTRIP, Rear window glass			31.3909	GASKET, Windshield defroster nozzle		
	369335	1951-1502-12-22-72-82-92	1		372632	1951-32-42-50-1-62-70-1-2-9-84-89-99	2
	374223	1505-15-25-75-85-8-95-8	1	31.391	CHANNEL ASSEMBLY, Windshield division		
	357763	1532	1		337034	1579-89-99	1
	353822	1542-50-1-62-70-1	1		357793	1584-90-1	1
	353823	1584-90-1	1		6782	Screw #10-32 x 2"	1
31.365	MOULDING, Rear window finishing				366329	Stud - Lower	1
	370175	1951	1		6056	(50.230) Lockwasher #10 external	1
	380066	1502-12-82-92	1		7003	(50.100) Nut #10-32	1
	366879	1505-15-85-8-95-8	1	31.3915	SCREW, Windshield division bar attaching		
	380067	1522-72	1		380560	#8-32 x 13/16 1502-5-12-5-22-5-72-5-82-5-8-92-5-8	1
	374899	1525-75	1		372582	#8-32 x 3/4 1951-1505-15-25-75-85-8-95-8	3
	353767	1532	1		372543	(50.025) #8-32 x 1-1/4 1951	1
	357413	1542-50-1	1	31.391	CLIP, Windshield division bar radio antenna cable		
	374357	1562-70-1-90-1	1		372230	1951-1502-5-12-5-22-5-72-5-82-5-8-92-5-8	2
	363531	1584	1	31.392	FILLER, Windshield division channel end		
	370536	1951	12		337036	1579-89-99	2
	376373	Screw #8 x 3/4 1502-12-22-72-82-92	12	31.393	REINFORCEMENT, Windshield division channel		
	349394	Screw #8 x 3/4 tapping 1505-15-25-75-85-8-95-8	12		325616	1579-89-99	1
	342861	Screw #8 x 1-1/8 oval hd. 1542-50-1-62-70-1-84-90-1	10		328788	1532-42-50-1-62-70-1-84-90-1	1
	6808	WoodscREW #6 x 1 1532	8	31.394	MOULDING, Windshield division finishing		
31.366	RIM, Rear window finishing				376179	(Inside) 1951	1
	370196	(Chrome) 1951-1502-12-22-72-82-92	1		380312	(Inside grained) (11-13/16 between C-L of screw holes) 1502-5-12-5-82-5-8-92-5-8	1
	▲380626	(Prime) 1502-12-22-72-82-92	1		380312	Inside (grained) (11-5/16 between C-L of screw holes) 1502-5-12-5-82-5-8-92-5-8	1
	374906	1505-15-25-75-85-8-95-8	1		374942	Inside (Chrome) (11-13/16 between C-L of screw holes) 1522-5	1
	353707	1542-50-1-62-70-1	1		380314	Inside (Chrome) (11-5/16 between C-L of screw holes) 1522-5	1
	372812	Joint clip (Chrome) 1951-1502-5-12-15-22-25-72-75-82-85-88-92-95-98	1		375471	Inside 1532-42-50-1	1
	▲381009	Joint clip (Prime) 1502-12-22-72-82-92	1		374610	Inside 1562-70-1	1
	357725	Joint clip 1542-50-1-62-70-1	1		374941	Inside (Grained) (11-13/16 between C-L of screw holes) 1572-5	1
					380313	Inside (Grained) (11-5/16 between C-L of screw holes) 1572-5	1
					366221	Inside (Louvre tan) 1579-89-99	1
					366220	Inside (Blue Gray) 1579-89-99	1
					363830	Inside (Green Gray) 1579-84-9-99	1
					374608	Inside (Black) 1579-89-99	1
					374432	Inside 1590-1	1
					372169	Outside 1951	1
					376695	(Chrome) Outside 1502-5-12-15-22-25-72-75-82-85-88-92-95-98	1
					▲380616	(Paint) Outside 1502-12-22-72-82-92	1
					349304	Outside 1579-89-99	1
					370536	Screw (Inside) #8 x 3/4 1502-5-12-15-22-25-72-75-82-85-88-92-95-98	1
					6892	Screw (Inside) #8-32 x 11/16 1532-42-50-1-62-70-1-84	4
					6774	Screw (Inside) #8-32 x 7/8 1579-89-99	4

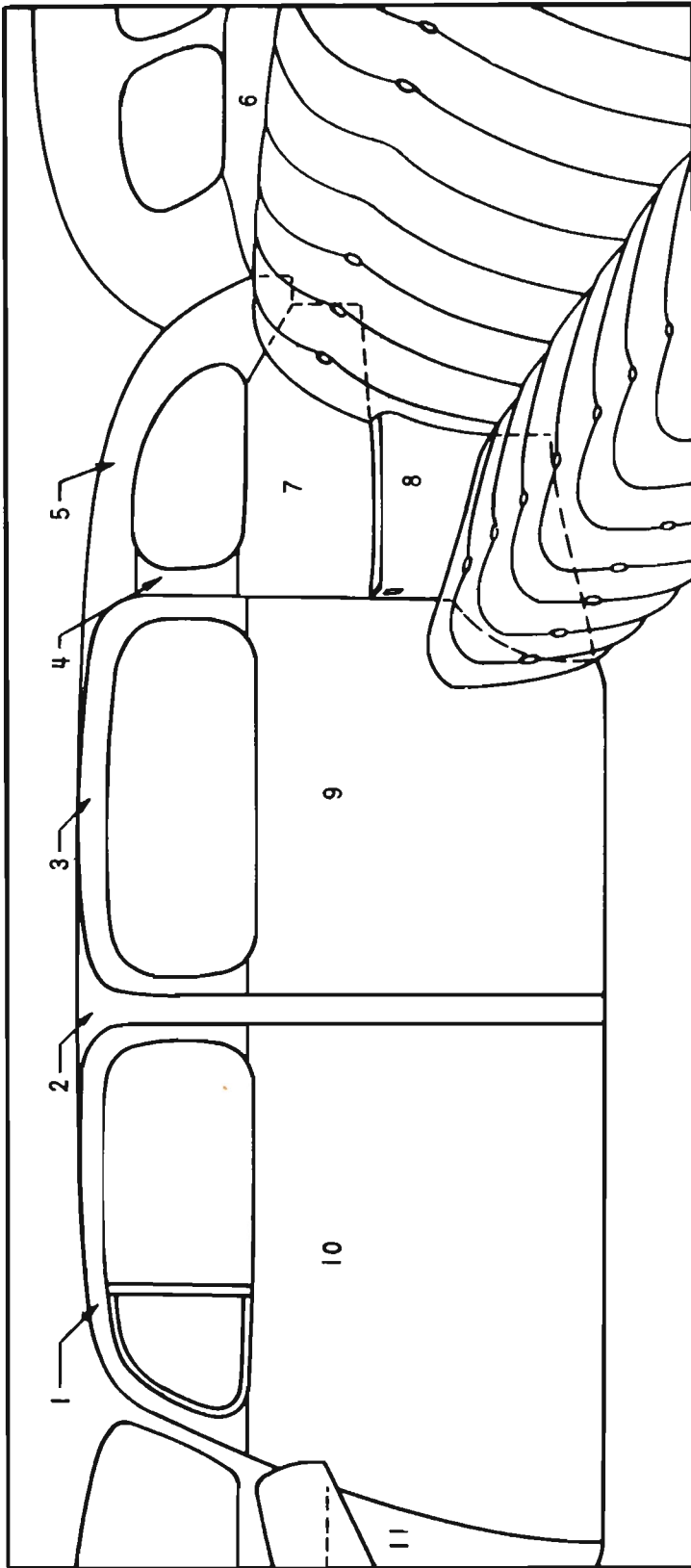
▲ Used on Clipper Four Door Sedans built after Jan. 1, 1942 only. All other body types have chrome trim. 198

WINDSHIELD AND TRIM—(Upholstery)

31.395 - 31.4113

INDEX NO.	PART NO.	DESCRIPTION AND MODELS	PER CAR	INDEX NO.	PART NO.	DESCRIPTION AND MODELS	PER CAR
WINDSHIELD—Continued				ARM REST			
31.395 MOULDING, Windshield finishing				<i>Note:— For Arm Rest Cushion And Details Refer To Index Code 30.000 Thru 30.004</i>			
	369412	1951	1	31.410	ARM REST TRIMMED ASSEMBLY, Door front (specify motor & set no.)		
	374950	1502-5-12-5-82-5-8-92-5-8	1	370826	Right (Cloth trim) 1951	1	
	374951	1522-5-72-75	1	995052	Right (Cloth jobs) 1502-12	1	
	363075	1532-42-50-1-79-89-99	1	981666	Right (Cloth jobs) 1505-15-25-75	1	
	374355	1562-70-1-90-1	1	376840	Right (Leather trim) 1951	1	
	363534	1584	1	981672	Right (Leather jobs) 1505-15-75	1	
	376493	Clip 1522-25	4	995064	Right (Cloth jobs) 1522	1	
	370957	Clip 1951-1522-25	20	951036	Right 1532-42-51	1	
	380269	(50.025) Screw #8 x 1-5/8 1502-5-12-5-22-5-72-5-82-5-8-92-5-8	14	950926	Right 1550-70-89-90-9	1	
	380544	Screw #8 x 1-3/8 1502-5-12-15-22-25-72-75-82-85-88-92-95-98	4	950922	Right (Cloth jobs) 1562-71-91	1	
	372393	(50.025) Screw #8 x 1-1/2 1951	18	950926	Right (Leather jobs) 1562-71-79	1	
	342861	Screw #8 x 1-1/8 1532-42-50-1-62-70-1-9-84-9-99	20	995054	Right (Cloth jobs) 1572	1	
	31.3955	PLUG, Windshield finishing moulding defroster (Sponge Rubber) 1951-1502-5-12-5-22-5-72-5-82-5-8-92-5-8	4	951500	Right (Cloth & leather comb.) 1579	1	
	31.396	PLATE, Windshield finishing moulding joint cover		995050	Right (Cloth jobs) 1582-92	1	
	357041	1532-42-50-1-79-89-99	1	981664	Right (Cloth jobs) 1585-8-95-8	1	
	374554	1562-70-1-90-1	1	981670	Right (Leather jobs) 1585-8-95-8	1	
	363537	1584	1	370827	Left (Cloth trim) 1951	1	
	342861	Screw #8 x 1-1/8	1	995053	Left (Cloth jobs) 1502-12	1	
	31.397	RIM, Windshield finishing		981667	Left (Cloth jobs) 1505-15-25-75	1	
	369434	(Chrome) Right 1951-1502-5-12-5-22-5-72-5-82-5-8-92-5-8	1	376841	Left (Leather trim) 1951	1	
	*380604	(Prime) Right 1502-12-22-72-82-92	1	981673	Left (Leather jobs) 1505-15-75	1	
	357466	Right 1532-42-50-1-62-70-1-90-1	1	995065	Left (Cloth jobs) 1522	1	
	337058	Right 1579-89-99	1	951037	Left 1532-42-51	1	
	369435	(Chrome) Left 1951-1502-5-12-5-22-5-72-5-82-5-8-92-5-8	1	950927	Left 1550-70-89-90-9	1	
	*380605	(Prime) Left 1502-12-22-72-82-92	1	950923	Left (Cloth jobs) 1562-71-91	1	
	357467	Left 1532-42-50-1-62-70-1-90-1	1	950927	Left (Leather jobs) 1562-71-79	1	
	337059	Left 1579-89-99	1	995055	Left (Cloth jobs) 1572	1	
	31.400	FRAME, Windshield		951501	Left (Cloth & leather comb.) 1579	1	
	369491	1951-1502-5-12-5-22-5-72-5-82-5-8-92-5-8 ..	1	995051	Left (Cloth jobs) 1582-92	1	
	376115	Clip (Cable) (5/8" width) 1951-5-12-5-22-5-72-5-82-5-8-92-5-8	x	981665	Left (Cloth jobs) 1585-88-95-98	1	
	376114	Clip (Cable) (3/4" width) 1951-1502-5-12-5-22-5-72-5-82-5-8-92-5-8	x	31.411	TRIM COVER ASSEMBLY, Door front arm rest (spec. motor & set no.)		
	314151	(50.150) Clinch nut #8-32 1951	6	370824	Right (Cloth trim) 1951	1	
	370439	Clinch nut #12-24 1951	7	995040	Right (Cloth jobs) 1502-12	1	
	31.404	GLASS, Windshield		981656	Right (Cloth jobs) 1505-15-25-75	1	
	370168	1951-1502-5-12-5-22-5-72-5-82-5-8-92-5-8 ..	2	376838	Right (Leather trim) 1951	1	
	325611	1532-42-50-1-62-70-1-9-84-9-90-1-9	2	981662	Right (Leather jobs) 1505-15-75	1	
	31.406	WEATHERSTRIP, Windshield glass		995062	Right (Cloth jobs) 1522	1	
	370169	1951-1502-5-12-5-22-5-72-5-82-5-8-92-5-8 ..	1	980786	Right 1532-42-51	1	
	366300	1532-42-50-1-62-70-1	1	980750	Right 1550-70-79-89-90-9	1	
	337033	1579-89-99	1	980746	Right (Cloth jobs) 1562-71-91	1	
	363284	1584-90-1	1	980750	Right (Leather jobs) 1562-71	1	
				995042	Right (Cloth jobs) 1572	1	
				995006	Right (Cloth jobs) 1582-92	1	
				981654	Right (Cloth jobs) 1585-8-95-8	1	
				981660	Right (Leather jobs) 1585-8-95-8	1	
				370825	Left (Cloth trim) 1951	1	
				995041	Left (Cloth jobs) 1502-12	1	
				981657	Left (Cloth jobs) 1505-15-25-75	1	
				376839	Left (Leather trim) 1951	1	
				981663	Left (Leather jobs) 1505-15-75	1	
				995063	Left (Cloth jobs) 1522	1	
				980787	Left 1532-42-51	1	
				980751	Left 1550-70-79-89-90-9	1	
				980747	Left (Cloth jobs) 1562-71-91	1	
				980751	Left (Leather jobs) 1562-71	1	
				995043	Left (Cloth jobs) 1572	1	
				995007	Left (Cloth jobs) 1582-92	1	
				981655	Left (Cloth jobs) 1585-8-95-8	1	
				981661	Left (Leather jobs) 1585-8-95-8	1	
				31.4113	ARM REST TRIMMED ASSEMBLY, Rear seat (center) (specify motor and set number)		
				370983	Cloth 1951	1	
				376862	Leather 1951	1	
				995034	(Cloth jobs) 1502-12-72	1	
				995078	(Cloth jobs) 1522	1	
				981700	(Cloth jobs) 1525	1	

▲ Used on Clipper Four Door Sedans built after Jan. 1, 1942 only. All other body types have chrome trim.



- | | |
|---|-----------------|
| 1. ASSEMBLY DOOR FRONT HEADER AND PILLAR TRIMMED. (RIGHT OR LEFT) | 31.434 |
| 2. ASSEMBLY CENTER PILLAR TRIMMING (RIGHT OR LEFT) | 31.414 |
| 3. ASSEMBLY DOOR REAR HEADER AND PILLAR TRIMMED. (RIGHT OR LEFT) | 31.437 |
| 4. ASSEMBLY BODY REAR HINGE PILLAR TRIMMING (RIGHT OR LEFT) | 31.413 |
| 5. ASSEMBLY SIDE WINDOW HEADER TRIMMING (RIGHT OR LEFT) | 31.4609 |
| 6. ASSEMBLY UNDER REAR WINDOW AND PACKAGE TRAY TOP | 31.412 |
| 7. ASSEMBLY REAR SEAT SIDE TRIMMING. (RIGHT OR LEFT) | 31.438 - 31.439 |
| 8. ASSEMBLY ARM REST (REAR SEAT) TRIMMING (RIGHT OR LEFT) | 31.435 - 31.436 |
| 9. ASSEMBLY DOOR REAR TRIM PANEL. (RIGHT OR LEFT) | 31.460 |
| 10. ASSEMBLY DOOR FRONT TRIM PANEL. (RIGHT OR LEFT) | |
| 11. ASSEMBLY PAPERBOARD COWL KICKPAD (RIGHT OR LEFT) | |

TRIM ASSEMBLY

INDEX NO.	PART NO.	DESCRIPTION AND MODELS	PER CAR	INDEX NO.	PART NO.	DESCRIPTION AND MODELS	PER CAR
ARM REST—Continued				BODY REAR HINGE PILLAR			
31.41135		FLAP (TRIMMED) Rear seat (center) arm rest (specify motor & set no.)		31.413		REAR PILLAR TRIMMING ASSEMBLY, Body (spec. motor & set no.)	
	995036	(Cloth jobs) 1502-12-22-72	1	951980		Right (Cloth) 1505-15-25-75-85-8-95-8	1
31.4114		TRIM COVER ASSEMBLY, Rear seat folding arm rest		951982		Right (Leather) 1505-15-75-85-8-95-8	1
	370981	Cloth 1951	1	951462		Right (Cloth) 1542-50-1	1
	995035	(Cloth jobs) 1502-12-72	1	951100		Right (Cloth) 1562-70-1-90-1	1
	981692	(Cloth jobs) 1505-15-75-85-95	1	951102		Right (Leather) 1562-70-1	1
	995077	(Cloth jobs) 1522	1	950164		Right 1579	1
	981696	1525	1	951194		Right 1589-99	1
	981012	(Cloth jobs) 1532-42-50-1-62-70-1	1	951981		Left (Cloth) 1505-15-25-75-85-8-95-8	1
	376860	Leather 1951	1	951983		Left (Leather) 1505-15-75-85-8-95-8	1
	981013	(Leather jobs) 1562-70-1	1	951463		Left (Cloth) 1542-50-1	1
31.412		ARM REST TRIMMED ASSEMBLY, Rear seat (cloth jobs) (spec. motor & set no.)		951101		Left (Cloth) 1562-70-1-90-1	1
	975014	Right 1502-12-82-92	1	951103		Left (Leather) 1562-70-1	1
	952140	Right 1505-15-75-85-8-95-8	1	950165		Left 1579	1
	975040	Right 1522-72	1	951195		Left 1589-99	1
	952144	Right 1525	1	CENTER TRIM PILLAR			
	951094	Right 1532-42	1	31.414		CENTER PILLAR TRIMMING, (Spec. motor & set no.)	
	951428	Right 1550	1	951146		1542-51	2
	951430	Right 1551	1	370804		Right (Cloth trim) 1951	1
	951098	Right 1562	1	975002		Right (Cloth jobs) 1502-12-72-82-92	1
	951088	Right 1570	1	975038		Right (Cloth jobs) 1522	1
	951090	Right 1571-90-91	1	951142		Right (Cloth jobs) 1562-71-91	1
	951540	Right (Cloth & leather comb.) 1579	1	376816		Right (Leather trim) 1951	1
	975015	Left 1502-12-82-92	1	951144		Right (Leather jobs) 1562-71	1
	952141	Left 1505-15-75-85-8-95-8	1	951880		Right 1584	1
	975041	Left 1522-72	1	370805		Left (Cloth trim) 1951	1
	952145	Left 1525	1	975003		Left (Cloth jobs) 1502-12-72-82-92	1
	951095	Left 1532-42	1	975039		Left (Cloth jobs) 1522	1
	951429	Left 1550-1	1	951143		Left (Cloth jobs) 1562-71-91	1
	951099	Left 1562	1	376817		Left (Leather trim) 1951	1
	951089	Left 1570-1-90-1	1	951145		Left (Leather jobs) 1562-71	1
	951541	Left (Cloth & leather comb.) 1579	1	951881		Left 1584	1
31.4125		ARM REST TRIMMED ASSEMBLY, Rear seat - leather jobs (spec. motor & set no.)		31.415		CENTER PILLAR LOWER TRIMMING ASSEMBLY, (Specify motor & set no.)	
	952142	Right 1505-15-75-85-95	1	950520		Front right 1532	1
	951096	Right 1562	1	950521		Front left 1532	1
	951091	Right 1570	1	950522		Rear right 1532	1
	951092	Right 1571	1	950523		Rear left 1532	1
	952060	Right 1579	1	31.4155		CENTER PILLAR UPPER TRIMMING ASSEMBLY, (Specify motor & set no.)	
	951878	Right 1584	1	950518		1522-5	2
	951920	Right 1589-99	1	950100		Right (Cloth jobs) 1550-70-90	1
	952143	Left 1505-15-75-85-95	1	950101		Left (Cloth jobs) 1550-70-90	1
	951097	Left 1562	1	950102		(Leather jobs) 1570	2
	951093	Left 1570-1	1	CARPET AND MATS			
	952061	Left 1579	1	31.417		CARPET ASSEMBLY, Floor - front (specify motor & set no.)	
	951879	Left 1584	1	951984		(Leather jobs) 1502-5-12-15-72-75-82-85-88-92-95-98	1
	951921	Left 1589-99	1	951979		1522-5	1
31.41250		PAD, Arm rest (rear seat side)		951124		1532-50	1
	370952	Right 1951	1	951439		1542	1
	370953	Left 1951	1	951424		1551	1
31.4127		TRIM ASSEMBLY, Arm rest (rear seat side) (specify motor & set number)		951907		(Cloth jobs) 1562-71	1
	370834	Right (cloth trim) 1951	1	951969		(Leather jobs) 1562-71	1
	376846	Right (leather trim) 1951	1	951906		(Cloth jobs) 1570	1
	370835	Left (cloth trim) 1951	1	951968		(Leather jobs) 1570	1
	376847	Left (leather trim) 1951	1	951966		1579	1
31.4128		TRIM COVER ASSEMBLY, Arm rest (rear seat side) (specify motor and set number)		951548		1589	1
	370832	Right (cloth trim) 1951	1	951968		1590	1
	376844	Right (leather trim) 1951	1	951969		1591	1
	370833	Left (cloth trim) 1951	1	951550		(Leather jobs) 1599	1
	376845	Left (leather trim) 1951	1	31.418		CARPET ASSEMBLY, Floor - rear (Specify motor & set no.)	
				370906		1951	1
				952106		1502-12-82-92	1

TRIM—(Upholstery)

INDEX NO.	PART NO.	DESCRIPTION AND MODELS	PER CAR
CARPET AND MATS—Continued			
31.418		CARPET ASSEMBLY, Floor - rear (Specify motor & set no.) (Cont'd)	
	951985	1505-15-85-95	1
	952104	1522	1
	951965	1525	1
	951448	1532	1
	951919	1542	1
	951916	1550-1	1
	951911	(Cloth jobs) 1570	1
	951975	(Leather jobs) 1570	1
	951910	(Cloth jobs) 1571	1
	952105	(Cloth jobs) 1572	1
	952106	(Leather jobs) 1572	1
	951974	(Leather jobs) 1571	1
	951986	(Cloth jobs) 1575	1
	951985	(Leather jobs) 1575	1
	951946	1590	1
	951947	1591	1
31.4185		CARPET ASSEMBLY, Floor rear center and folding seat floor	
	951032	1550	1
	951031	1551	1
31.419		CARPET ASSEMBLY, Floor rear center and folding seat floor and side sills	
	951912	(Cloth jobs) 1570	1
	951978	(Leather jobs) 1570	1
	951908	(Cloth jobs) 1571	1
	951977	(Leather jobs) 1571	1
	951948	1590	1
	951949	1591	1
31.420		CARPET ASSEMBLY, Floor rear compartment	
	952163	1588-98	1
31.421		CARPET ASSEMBLY, Floor rear and side sills	
	951909	(Cloth jobs) 1562	1
	951976	(Leather jobs) 1562	1
	951136	1579-89-99	1
31.425		CARPET ASSEMBLY, Front seat side sill (Specify motor & set no.)	
	952164	Right 1525	1
	952165	Left 1525	1
	951034	Right 1542	1
	951035	Left 1542	1
	950866	Right 1551	1
	950867	Left 1551	1
31.427		CARPET ASSEMBLY, Trunk compartment	
	952045	Front 1525	1
	952054	Rear 1525	1
	952050	Side right 1525	1
	952051	Side left 1525	1
	951137	1532-42-50-1	1
	951138	Front 1532-42-50-1	1
	951140	Side right 1532-42-50-1	1
	951141	Side left 1532-42-50-1	1
31.430		MAT, Floor front	
	370850	1951	1
	350567	LHD (Cloth jobs) 1502-5-12-15	1
	350568	LHD (Cloth jobs) 1572-5	1
	352956	LHD (Cloth jobs) 1582-5-8-92-5-8	1
	374668	1584	1
31.4300		MAT, Front floor heel, pad - rubber	
	339426	(Leather jobs) 1505-15-75-85-8-95-8	1
	339426	1562-70-1-9-89-90-1-9	1
31.431		MAT, Floor rear	
	374676	1584	1

INDEX NO.	PART NO.	DESCRIPTION AND MODELS	PER CAR
DOOR TRIM—FRONT			
<i>Note:— For Front Door Untrimmed Assemblies Refer To Index Code 31.243 Thru 31.244. For Front Door Parts Refer To Index Code 30.301 Thru 30.434</i>			
31.435		TRIM PANEL ASSEMBLY, Door front - right (Specify motor & set no.)	
	370816	(Cloth trim) 1951	1
	376828	(Leather trim) 1951	1
	975034	(Chrome trim strips) (Cloth) 1502-12	1
	▲975116	(Paint trim strips) (Cloth) 1502-12	1
	975092	(Chrome trim strips) (Leather jobs) 1502-12-72	1
	▲975132	(Paint trim strips) (Leather jobs) 1502-12-72	1
	951994	(Cloth) 1505-15-75	1
	951996	(Leather) 1505-15-75	1
	975042	(Chrome trim strips) (Cloth) 1522	1
	▲975120	(Paint trim strips) (Cloth) 1522	1
	951998	1525	1
	951192	1532-42-51	1
	951190	1550	1
	951174	(Cloth jobs) 1562-71	1
	951176	(Leather jobs) 1562-71	1
	951176	1570	1
	975012	(Chrome trim strips) (Cloth) 1572	1
	▲975112	(Paint trim strips) (Cloth) 1572	1
	951926	1579	1
	975010	(Chrome trim strips) (Cloth) 1582-92	1
	▲975110	(Paint trim strips) (Cloth) 1582-92	1
	975080	(Chrome trim strips) (Leather jobs) 1582-92	1
	▲975126	(Paint trim strips) (Leather jobs) 1582-92	1
	951882	1584	1
	951990	(Cloth) 1585-8-95-8	1
	951992	(Leather jobs) 1585-8-95-8	1
	951924	1589-99	1
	951950	1590	1
	951952	1591	1
31.436		TRIM PANEL ASSEMBLY, Door front - left (Specify motor & set no.)	
	370817	(Cloth trim) 1951	1
	376829	(Leather trim) 1951	1
	975035	(Chrome trim strips) (Cloth) 1502-12	1
	▲975117	(Paint trim strips) (Cloth) 1502-12	1
	975093	(Chrome trim strips) (Leather jobs) 1502-12-72	1
	▲975133	(Paint trim strips) (Leather jobs) 1502-12-72	1
	951995	(Cloth) 1505-15-75	1
	951997	(Leather) 1505-15-75	1
	975043	(Chrome trim strips) (Cloth) 1522	1
	▲975121	(Paint trim strips) (Cloth) 1522	1
	951999	1525	1
	951193	1532-42-51	1
	951191	1550	1
	951175	(Cloth jobs) 1562-71	1
	951177	(Leather jobs) 1562-71	1
	951177	1570	1
	975013	(Chrome trim strips) (Cloth) 1572	1
	▲975113	(Paint trim strips) (Cloth) 1572	1
	951927	1579	1
	975011	(Chrome trim strips) (Cloth) 1582-92	1
	▲975111	(Paint trim strips) (Cloth) 1582-92	1
	975081	(Chrome trim strips) (Leather jobs) 1582-92	1
	▲975127	(Paint trim strips) (Leather jobs) 1582-92	1
	951883	1584	1
	951991	(Cloth) 1585-8-95-8	1
	951993	(Leather jobs) 1585-8-95-8	1
	951925	1589-99	1
	951951	1590	1
	951953	1591	1

▲ Used on Clipper Four Door Sedans built after Jan. 1, 1942 only. All other body types have chrome trim. 202

INDEX NO.	PART NO.	DESCRIPTION AND MODELS	PER CAR	INDEX NO.	PART NO.	DESCRIPTION AND MODELS	PER CAR
DOOR TRIM—FRONT—Continued				DOOR TRIM REAR—Continued			
31.4363	MAT, Door (front) trim panel bottom rubber			31.438	TRIM PANEL ASSEMBLY, Door rear - right (Specify motor & set no.) (Cont'd)		
	369978 Right 1584		1		952056 1584		1
	369979 Left 1584		1		951954 1590-91		1
31.4365	MOULDING, Door (front) trim panel			31.439	TRIM PANEL ASSEMBLY, Door rear - left (Specify motor & set no.)		
	372792 Front right (formed) 1951		1		370823 (Cloth trim) 1951		1
	372793 Front left (formed) 1951		1		376835 (Leather trim) 1951		1
	372836 Front (straight) 1951		6		975037 (Chrome trim strips) (Cloth jobs) 1502-12-72		1
	372835 Front (straight) 1951		2		▲975119 (Paint trim strips) (Cloth jobs) 1502-12-72		1
	376628 (Chrome) Top 1502-12-72		2		975095 (Chrome trim strips) (Leather jobs) 1502-12-72		1
	▲380580 (Paint) Top 1502-12-72		2		▲975135 (Paint trim strips) (Leather jobs) 1502-12-72		1
	372835 (Chrome) Bottom 1502-12-72		2		975045 (Chrome trim strips) (Cloth jobs) 1522		1
	▲380590 (Paint) Bottom 1502-12-72		2		▲975123 (Paint trim strips) (Cloth jobs) 1522		1
	352974 (Chrome) Center 1502-12-72		12		951223 1532-42		1
	▲350712 (Paint) Center 1502-12-72		12		951221 1550-1		1
	352975 Top (Formed) 1505-15-75		2		951213 (Cloth jobs) 1562		1
	352976 Bottom (Straight) 1505-15-75		2		951215 (Leather jobs) 1562		1
	352974 Center (Straight) 1505-15-75		12		951207 (Cloth jobs) 1570-1		1
	376644 (Chrome) (Bottom upper) 1522		2		951209 (Leather jobs) 1570-1		1
	▲380588 (Paint) (Bottom - Upper) 1522		2		975009 (Chrome trim strips) (Cloth jobs) 1582-92 ..		1
	380172 (Chrome) (Bottom lower) 1522		6		▲975109 (Paint trim strips) (Cloth jobs) 1582-92 ..		1
	▲380582 (Paint) (Bottom - lower) 1522		6		975083 (Chrome trim strips) (Leather jobs) 1582-92		1
	376642 (Chrome) (Top - Upper) 1522		2		▲975129 (Paint trim strips) (Leather jobs) 1582-92		1
	▲380671 (Paint) (Top - Upper) 1522		2		952057 1584		1
	376643 (Chrome) (Top - Lower) 1522		2		951955 1590-91		1
	▲380670 (Paint) (Top - Lower) 1522		2	31.4390	MOULDING, Door (rear) trim panel		
	352966 (Straight) 1525		2		376630 (Chrome) Right Top 1502-12-72		1
	350516 (Bottom) 1525		4		▲380678 (Paint) Right Top 1502-12-72		1
	352967 (Center) (Formed) 1525		2		376631 (Chrome) Left Top 1502-12-72		1
	350576 (Lower) 1525		2		▲380679 (Paint) Left Top 1502-12-72		1
	352968 (Upper) (Formed) 1525		2		372784 (Chrome) Bottom 1951-1502-12-72		2
	352842 (Bottom) 1579		4		▲380592 (Paint) Bottom 1502-12-72		2
	372792 (Chrome) Right 1582-92		1		352974 (Chrome) Center 1502-12-72		6
	▲380654 (Paint) Right 1582-92		1		376646 (Chrome) Right Top upper 1522		1
	372793 (Chrome) Left 1582-92		1		▲380586 (Paint) Right Top upper 1522		1
	▲380655 (Paint) Left 1582-92		1		376648 (Chrome) Right Top lower 1522		1
	372836 (Chrome) (Center) 1582-92		2		▲380584 (Paint) Right Top lower 1522		1
	▲380591 (Paint) (Center) 1582-92		2		376647 (Chrome) Left Top upper 1522		1
	352978 (Upper Right) (Formed) 1585-88-95-98		1		▲380587 (Paint) Left Top upper 1522		1
	352979 (Upper Left) (Formed) 1585-88-95-98		1		376649 (Chrome) Left Top lower 1522		1
	352977 (Center) (Straight) 1585-88-95-98		2		▲380585 (Paint) Left Top lower 1522		1
DOOR TRIM—REAR							
<p>Note:- For Rear Door Untrimmed Assemblies Refer To Index Code 31.245 Thru 31.246. For Rear Door Parts Refer To Index Code 30.438 Thru 30.564</p>							
31.438	TRIM PANEL ASSEMBLY, Door rear - right (Specify motor & set no.)			31.4393	FORMICA PANEL, Door rear (bottom)		
	370822 (Cloth trim) 1951		1		350634 (Right) 1584		1
	376834 (Leather trim) 1951		1		350635 (Left) 1584		1
	975036 (Chrome trim strips) (Cloth jobs) 1502-12-72		1	FOLDING TOP			
	*975118 (Paint trim strips) (Cloth jobs) 1502-12-72		1	31.441	ASSEMBLY, Top deck		
	975094 (Chrome trim strips) (Leather jobs) 1502-12-72		1		951234 1579-89-99		1
	▲975134 (Paint trim strips) (Leather jobs) 1502-12-72		1	31.443	ENVELOPE ASSEMBLY, Top		
	975044 (Chrome trim strips) (Cloth jobs) 1522		1		951752 1579-89-99		1
	▲975122 (Paint trim strips) (Cloth jobs) 1522		1	31.4435	BAG ASSEMBLY, Top envelope		
	951222 1532-42		1		951682 1579-89-99		1
	951220 1550-1		1				
	951212 (Cloth jobs) 1562		1				
	951214 (Leather jobs) 1562		1				
	951206 (Cloth jobs) 1570-1		1				
	951208 (Leather jobs) 1570-1		1				
	975008 (Chrome trim strips) (Cloth jobs) 1582-92 ..		1				
	▲975108 (Paint trim strips) (Cloth jobs) 1582-92 ..		1				
	975082 (Chrome trim strips) (Leather jobs) 1582-92		1				
	▲975128 (Paint trim strips) (Leather jobs) 1582-92		1				

▲ Used on Clipper Four Door Sedans built after Jan. 1, 1942 only. All other body types have chrome trim.

TRIM—(Upholstery)

INDEX NO.	PART NO.	DESCRIPTION AND MODELS	PER CAR	INDEX NO.	PART NO.	DESCRIPTION AND MODELS	PER CAR
FOLDING TOP—Continued				FRONT SEAT TRIM—Continued			
31.444	CURTAIN ASSEMBLY, Top rear			31.4523	PAD, Front seat cushion		
	951240 1579-89-99		1	380774	(Rubber) (Use with special foam rubber equipt.)		
31.445	VALANCE ASSEMBLY, Top rear curtain				1502-12-82-92	1	
	951241 1579-89-99		1	380880	(Cotton & Hair) (Cloth jobs) (Not used with		
FOLDING SEAT TRIM					foam rubber equipt.) 1502-12	1	
31.446	FOLDING SEAT TRIMMED ASSEMBLY, (Specify motor & set no.)			380876	(Cotton & Hair) (Leather jobs) (Not used with		
	980361 1532		1		foam pad equipt.) 1502-12	1	
	951028 Right 1550-1		1	380865	(Cotton) (Use with special foam rubber		
	950218 Right (Cloth jobs) 1570-1		1		equipt. - cloth jobs) 1582-92	1	
	950216 Right (Leather jobs) 1570-1		1	380876	(Cotton & Hair) (Not used with foam pad		
	951956 Right 1590-91		1		equipt.) 1572-82-92	1	
	951029 Left 1550-1		1	365998	(Cotton) 1584	1	
	950219 Left (Cloth jobs) 1570-1		1	31.453	TRIM COVER ASSEMBLY, Front seat cushion		
	950217 Left (Leather jobs) 1570-1		1	370836	(Cloth trim) 1951	1	
	951957 Left 1590-91		1	376843	(Leather trim) 1951	1	
	951877 1584		2	995027	(Cloth jobs) 1502-12-72	1	
31.4465	FORMICA PANEL, Folding seat bottom			981647	(Cloth jobs) 1505-15	1	
	350538 1584		2	981653	(Leather jobs) 1505-15-75-85-8-95-8	1	
31.449	TRIM COVER ASSEMBLY, Folding seat cushion			995068	(Cloth jobs) 1522	1	
	980772 Right 1550-1		1	981652	1525	1	
	980080 Right (Cloth jobs) 1570-1-90-1		1	980957	1532	1	
	980082 Right (Leather jobs) 1570-1		1	980955	1542	1	
	980773 Left 1550-1		1	980956	1550	1	
	980081 Left (Cloth jobs) 1570-1-90-1		1	980954	1551	1	
	980083 Left (Leather jobs) 1570-1		1	980945	(Cloth jobs) 1562-71-91	1	
	981569 1584		2	980947	(Leather jobs) 1562-71	1	
31.451	TRIM COVER ASSEMBLY, Folding seat back			980953	1570-90	1	
	980359 1532		1	981737	(Cloth jobs) 1575	1	
	980739 1550-1		2	981604	1579-89-99	1	
	980062 (Cloth jobs) 1570-1		2	995011	(Cloth jobs) 1582-92	1	
	980063 (Leather jobs) 1570-1		2	981625	(Cloth jobs) 1585-8-95-8	1	
	981568 1584		2	981571	1584	1	
	981617 1590-91		2	31.4534	PAD, Front seat back		
FRONT SEAT TRIM					369901	(Sponge rubber) 1584	1
<i>Note:- For Front Seat Springs Refer To Index Code 30.900 Thru 30.908</i>					369900	(Cotton) 1584	1
31.452	CUSHION (TRIMMED) ASSEMBLY, Front seat (Specify motor & set no.)				369904	(Cotton to burlap) 1584	1
	370837 (Cloth trim) 1951		1	31.455	TRIM COVER ASSEMBLY, Front seat back		
	376848 (Leather trim) 1951		1	370838	(Cloth trim) 1951	1	
	975102 (Cloth) 1502-12		1	376849	(Leather trim) 1951	1	
	975106 (Leather) 1502-12-72-82-92		1	995026	(Cloth jobs) 1502-12-72	1	
	952010 (Cloth) 1505-15		1	995069	(Cloth jobs) 1522	1	
	952012 (Leather) 1505-15-85-8-95-8		1	980918	1532	1	
	975032 (Cloth) 1522		1	980917	1542	1	
	952011 1525		1	980915	1550	1	
	951283 1532		1	980916	1551	1	
	951284 1542		1	980919	(Cloth jobs) 1562-71-91	1	
	951279 1550		1	980903	(Leather jobs) 1562-71	1	
	951282 1551		1	980907	1570-90	1	
	951270 (Cloth jobs) 1562-71		1	995014	(Cloth jobs) 1582-92	1	
	951271 (Leather jobs) 1562-71		1	981570	1584	1	
	951278 1570		1	981626	Right (Cloth jobs) 1505-15-75-85-8-95-8	1	
	975104 (Cloth) 1572		1	981630	Right (Leather jobs) 1505-15-75-85-8-95-8	1	
	952009 (Cloth) 1575		1	981628	Right 1525	1	
	952129 (Leather) 1575		1	981750	Right (All leather) 1579	1	
	951931 1579		1	981748	Right (Cloth & leather) 1579	1	
	975099 (Cloth) 1582-92		1	981600	Right 1589-99	1	
	952008 (Cloth) 1585-8-95-8		1	981627	Left (Cloth jobs) 1505-15-75-85-8-95-8	1	
	951887 1584		1	981631	Left (Leather jobs) 1505-15-75-85-8-95-8	1	
	951930 1589		1	981629	Left 1525	1	
	951959 1590		1	981751	Left (All leather) 1579	1	
	951960 1591		1	981749	Left (Cloth & leather) 1579	1	
	951935 1599		1	981601	Left 1589-99	1	
				31.4555	TRIM COVER ASSEMBLY, Rear of front seat back (Specify motor & set no.)		
					370842 (Cloth trim) 1951	1	
					376852 (Leather trim) 1951	1	
					995023 (Cloth jobs) 1502-12-72	1	
					995073 (Chrome trim strips) (Cloth jobs) 1522	1	
					▲995181 (Paint trim strips) 1522	1	
					980887 (Cloth jobs) 1562-71-91	1	

▲ Used on Clipper Four Door Sedans built after Jan. 1, 1942 only. All other body types have chrome trim. 204

INDEX NO.	PART NO.	DESCRIPTION AND MODELS	PER CAR	INDEX NO.	PART NO.	DESCRIPTION AND MODELS	PER CAR
FRONT SEAT TRIM—Continued				FRONT SEAT TRIM—Continued			
31.4555		TRIM COVER ASSEMBLY, Rear of front seat back (Specify motor & set no.) (Cont'd)		31.4558		END PLATE, Front seat back moulding trim strip	
	980896	(Leather jobs) 1562-71	1		374406	(Chrome) Right 1522	1
	995017	(Cloth jobs) 1582-92	1		▲380640	(Paint) Right 1522	1
	981638	Right (Cloth jobs) 1505-15-75-85-95	1		374407	(Chrome) Left 1522	1
	981642	Right (Leather jobs) 1505-15-75-85-88-95-98	1		▲380641	(Paint) Left 1522	1
	981786	Right (Cloth jobs) 1525	1	HASSOCK			
	981746	Right (All leather) 1579	1	31.456		HASSOCK ASSEMBLY	
	981538	Right (Cloth & leather) 1579	1		353507	1532	2
	981640	Right (Cloth jobs) 1588-98	1		374714	(Cloth jobs) 1562	2
	981596	Right 1589-99	1		374715	(Leather jobs) 1562	2
	981639	Left (Cloth jobs) 1505-15-75-85-95	1	31.457		TRIM COVER ASSEMBLY, Hassock	
	981643	Left (Leather jobs) 1505-15-75-85-88-95-98	1		980587	1532	2
	981787	Left (Cloth jobs) 1525	1	HEADLINING			
	981747	Left (All leather) 1579	1	31.458		HEADLINING ASSEMBLY, (Specify motor & set no.)	
	981539	Left (Cloth & leather) 1579	1		370801	(Cloth trim) 1951	1
	981641	Left (Cloth jobs) 1588-98	1		376819	(Cloth trim) 1951	1
	981597	Left 1589-99	1		995000	(Cloth jobs) 1502-12-72-82-92	1
31.4556		MOULDING, Front seat			952013	(Cloth jobs) 1505-15-25-75-85-8-95-8	1
	372849	(Chrome) (Finishing trim) (27-1/2") 1502-12-22-72	2		952015	(Leather jobs) 1505-15-75-85-8-95-8	1
	▲380578	(Paint) (Finishing trim) (27-1/2") 1502-12-22-72	2		995057	(Cloth jobs) 1522	1
	352964	(22-5/8") 1505-15-25-72	2		951285	1532	1
	380255	(Chrome) (Back-trim panel-side) (19-1/2") 1522	2		951873	1542	1
	▲380598	(Paint) (Back trim panel-side) (19-1/2") 1522	2		951913	1550-1	1
	380250	(Chrome) (Back trim panel-upper) (43-7/8") 1522	1		951293	(Cloth jobs) 1562	1
	▲380672	(Paint) (Back trim panel-upper) (43-7/8") 1522	1		951294	(Leather jobs) 1562	1
	380251	(Chrome) (Back trim panel-upper center) (43-7/8") 1522	1		951291	(Cloth jobs) 1570-1-90-1	1
	▲381081	(Paint) (Back trim panel-upper center) (43-7/8") 1522	1		951292	(Leather jobs) 1570-1	1
	380448	(Chrome) (Finishing trim) (27-1/2") 1522	2		951889	1584	1
	▲380579	(Paint) (Finishing trim) (27-1/2") 1522	2	KICK PADS			
	380552	(Has chrome trim strip) (Assembly-Back top) 1522	1	31.459		TRIMMING ASSEMBLY, Cowl kick pad (color to harmonize with trim)	
	▲381263	(Has painted trim strip) (Assembly-Back top) 1522	2		376800	Right (black, colonial grain bound) 1951	1
	380192	(Chrome) (Finishing trim-center right) (27-5/32") 1522	1		370996	Right (natural grain bound) 1951	1
	▲380676	(Paint) (Finishing trim-center right) (27-5/32") 1522	1		370998	Right (antique grain bound) 1951	1
	380194	(Chrome) (Finishing trim-lower) (27") 1522	2		370856	Right (cloth bound) 1951	1
	▲380677	(Paint) (Finishing trim-lower) (27") 1522	2		950106	Right 1532-42-51	1
	380193	(Chrome) (Finishing trim-lower center) (27") 1522	2		950678	Right 1550	1
	▲380674	(Paint) (Finishing trim-lower center) (27") 1522	2		376801	Left (black colonial grain bound) 1951	1
	380339	(Chrome) (Finishing trim-upper center-front left) (12-13/16") 1522	1		370997	Left (natural grain bound) 1951	1
	▲380673	(Paint) (Finishing trim-upper center-front left) (12-13/16") 1522	1		370999	Left (antique grain bound) 1951	1
	380340	(Chrome) (Finishing trim-upper center-rear left) (12-1/8") 1522	1		370857	Left (cloth bound) 1951	1
	▲380675	(Paint) (Finishing trim-upper center-rear left) (12-1/8") 1522	1		950107	Left 1532-42-51	1
	350622	(Back-lower right) (23-1/2") 1525	1		950679	Left 1550	1
	350623	(Back-lower left) (23-1/2") 1525	1	31.4593		KICK PAD TRIMMED ASSEMBLY, Cowl (Specify motor & set no.)	
	350620	(Back-upper right) (23-1/2") 1525	1		951988	(Chrome trim strips) Right 1522-25	1
	350621	(Back-upper left) (23-1/2") 1525	1		▲952168	(Paint trim strips) Right 1522	1
	350570	(Side) (22-5/8") 1525	5		951989	(Chrome trim strips) Left 1522-25	1
	350571	(Side front left) (9-9/16") 1525	1		▲952169	(Paint trim strips) Left 1522	1
	350572	(Side rear left) (15-5/8") 1525	1		952074	Right 1579	1
31.4557		TRIM STRIP, Front seat back moulding			952075	Left 1579	1
	376595	(Chrome) 1522	2	31.4595		MOULDING, Cowl kick pad	
	▲380646	(Paint) 1522	2		350502	(Chrome) Right (1/2" wide) 1522-25	1
					▲350700	(Paint) Right (1/2" wide) 1522	1
					350582	(Chrome) Right-bottom (7/32" wide) 1522-25	1
					▲350702	(Paint) Right-bottom (7/32" wide) 1522	1
					350580	(Chrome) Right-center (7/32" wide) 1522-25	1
					▲350704	(Paint) Right-center (7/32" wide) 1522	1
					350578	(Chrome) Right-upper (7/32" wide) 1522-25	1
					▲350706	(Paint) Right-upper (7/32" wide) 1522	1
					350503	(Chrome) Left (1/2" wide) 1522-25	1
					▲350701	(Paint) Left (1/2" wide) 1522	1
					350583	(Chrome) Left-bottom (7/32" wide) 1522-25	1

▲ Used on Clipper Four Door Sedans built after Jan. 1, 1942 only. All other body types have chrome trim. 205

TRIM—(Upholstery)

INDEX NO.	PART NO.	DESCRIPTION AND MODELS	PER CAR
KICK PADS—Continued			
31.4595	MOULDING, Cowl kick pad (Cont'd)		
▲350705	(Paint) Left-bottom (7/32" wide) 1522	1
350581	(Chrome) Left-center (7/32" wide) 1522-25	..	1
▲350705	(Paint) Left-center (7/32" wide) 1522	1
350579	(Chrome) Left-upper (7/32" wide) 1522-25	..	1
▲350707	(Paint) Left-upper (7/32" wide) 1522	1
31.460	PAPERBOARD ASSEMBLY, Cowl kick pad (color to harmonize with trim)		
350434	Right (Antique grain) (Leather jobs) 1502-5-12-5-72-5-82-5-8-92-5-8	1
350432	Right (Colonial grain) (Cloth & Black Leather jobs) 1502-5-12-15-72-5-82-5-8-92-5-8	1
951988	Right 1525	1
980214	Right 1532-42-50-1	1
950000	Right (Antique grain) (Leather) 1562-70-1-9	1
950436	Right (Colonial grain) (Cloth & Black Leather jobs) 1562-70-1-9-90-1	1
950002	Right (Antique grain) 1589-99	1
950434	Right (Colonial grain) (Black leather jobs) 1589-99	1
350435	Left (Antique grain) (Leather jobs) 1502-5-12-5-72-5-82-5-8-92-5-8	1
350433	Left (Colonial grain) (Cloth & Black Leather jobs) 1502-5-12-15-72-5-82-5-8-92-5-8	1
951989	Left 1525	1
980215	Left 1532-42-50-1	1
950001	Left (Antique) (Leather jobs) 1562-70-1-9	1
950437	Left (Colonial grain) (Cloth & Black Leather) 1562-70-1-9-90-1	1
950003	Left (Antique grain) 1589-99	1
950435	Left (Colonial grain) (Black leather jobs) 1589-99	1
950436	Right 1584	1
950437	Left 1584	1
REAR COMPARTMENT			
31.4609	TRAY TOP ASSEMBLY, Under rear window and package		
380824	1502-12-72	1
350410	(Cloth & black leather jobs) 1505-15-75-85-88-95-98	1
350411	(Leather jobs except black leather) 1505-15-75-85-88-95-98	1
951987	1525	1
951388	1532	1
951389	(Cloth jobs) 1542-50-1-62-70-1	1
951393	(Leather jobs) 1562-70-1	1
380849	1582-92	1
951903	1584	1
352993	1590-1	1
REAR SEAT TRIM			
Note:- For Rear Seat Cushion Spring Refer To Index Code 30.940 thru 30.941			
31.461	TRIM COVER ASSEMBLY, Rear seat back		
370986	Right (Cloth trim) 1951	1
376870	Right (Leather trim) 1951	1
995048	Right (Cloth jobs) 1502-12-72	1
995080	Right (Cloth jobs) 1522	1
981694	Right 1525	1
980988	Right 1532-42	1
980986	Right 1550-1	1
980982	Right (Cloth jobs) 1562	1
980984	Right (Leather jobs) 1562	1
980978	Right (Cloth jobs) 1570-1	1
980980	Right (Leather jobs) 1570-1	1
370987	Left (Cloth trim) 1951	1
376871	Left (Leather trim) 1951	1
995049	Left (Cloth jobs) 1502-12-72	1

INDEX NO.	PART NO.	DESCRIPTION AND MODELS	PER CAR
REAR SEAT TRIM—Continued			
31.461	TRIM COVER ASSEMBLY, Rear seat back (Cont'd)		
995081	Left (Cloth jobs) 1522	1
981695	Left 1525	1
980989	Left 1532-42	1
980987	Left 1550-1	1
980983	Left (Cloth jobs) 1562	1
980985	Left (Leather jobs) 1562	1
980979	Left (Cloth jobs) 1570-1	1
980981	Left (Leather jobs) 1570-1	1
981692	(Cloth jobs) 1505-15-75-85-95	1
981693	(Leather jobs) 1505-15-75-85-95	1
981605	1579-89-99	1
995024	(Cloth jobs) 1582-92	1
981582	1584	1
981623	1590-1	1
31.4613	PAD, Rear seat back		
369905	Upper (Cotton) 1584	1
369906	Lower (Cotton) 1584	1
31.4615	MOULDING, Rear seat		
352965	(Cushion bolster) (61-1/4") 1505-15-25-75	..	1
352984	(Side trimming) (7-7/8") 1505-15-75	2
380284	(Chrome) (Cushion bolster) (59-3/4") 1522	..	1
▲380573	(Paint) (Cushion bolster) (59-3/4") 1522	..	1
380310	(Chrome) (Cushion bolster) (59-3/4") 1522	..	3
▲380597	(Paint) (Cushion bolster) (59-3/4") 1522	..	1
380434	(Chrome) (Cushion bolster lower) (22-7/8") 1522	1
▲380594	(Paint) (Cushion bolster lower) (22-7/8") 1522	1
380432	(Chrome) (Cushion bolster upper center) (27-7/16") 1522	1
▲380596	(Paint) (Cushion bolster upper center) (27-7/16") 1522	1
380433	(Chrome) (Cushion bolster lower center) (25-11/16") 1522	1
▲380595	(Paint) (Cushion bolster lower center) (25-11/16") 1522	1
350574	(Cushion bolster - center) (26-11/16") 1525	..	2
350575	(Cushion bolster - lower) (20-1/2") 1525	..	2
350573	(Cushion bolster - upper) (28-1/8") 1525	..	2
352982	(Side trimming) (7") 1525	2
350577	(Side trimming) (7") 1525	6
370052	(Chrome) (Cushion bolster) (59-3/4") 1572-82-92	1
▲380572	(Paint) (Cushion bolster) (59-3/4") 1572-82-92	1
352965	(Cushion bolster) (Leather jobs) (61-1/4") 1585-95	1
376099	Nut (Cushion bolster midg.) 1522-72	11
31.462	CUSHION (TRIMMED) ASSEMBLY, Rear seat		
370846	(Cloth trim) 1951	1
376888	(Cloth trim) (Use with air conditioning) 1951	1
376855	(Leather trim) 1951	1
376889	(Leather trim) (Use with air conditioning) 1951	1
975103	(Chrome trim strips) (Cloth jobs) 1502-12-72	1
▲975136	(Paint trim strips) (Cloth jobs) 1502-12	..	1
975088	(Chrome trim strips) (Leather jobs) 1502-12-72	1
▲975131	(Paint trim strips) (Leather jobs) 1502-12-72	1
952023	(Cloth jobs) 1505-15	1
952026	(Leather jobs) 1505-15-85-95	1
975048	(Chrome trim strips) (Cloth jobs) 1522	1
▲975124	(Paint trim strips) (Cloth jobs) 1522	1
952024	1525	1
951349	1532-42	1
951348	1550-1	1
951345	(Cloth jobs) 1562	1

▲ Used on Clipper Four Door Sedans built after Jan. 1, 1942 only. All other body types have chrome trim.

INDEX NO.	PART NO.	DESCRIPTION AND MODELS	PER CAR	INDEX NO.	PART NO.	DESCRIPTION AND MODELS	PER CAR
REAR SEAT TRIM—Continued				TRIM BULK STOCK—Continued			
31.462		CUSHION (TRIMMED) ASSEMBLY, Rear seat (Cont'd)		31.465		BINDING, 2"	
	951346	(Leather jobs) 1562	1	346199	1951		x
	951343	(Cloth jobs) 1570-1	1	BINDING-WIRE-ON 5/8" WIDE, Cloth			
	951344	(Leather jobs) 1570-1	1	339406	1532-42-50-1		x
	▲975125	(Paint trim strips) (Cloth jobs) 1572	1	339263	1562-70-1		x
	952130	(Cloth jobs) 1575	1	BINDING-WIRE-ON 5/8" WIDE, Imitation leather			
	952131	(Leather jobs) 1575	1	339386	(Antique) 1505-15-32-62-70-1-5-9-85-8-9-95-8-9		x
	951934	1579	1	306251	(Colonial grain) 1505-15-32-62-70-1-5-9-85-8-9-95-8-9		x
	975018	(Cloth jobs) 1582-92	1	176578	(Colonial grain) 1550		x
	951899	1584	1	31.466		BUCKRAM	
	952022	(Cloth jobs) 1585-95	1	361946	(Two ply 40" wide) 1951-1502-12-22-72-84		x
	951933	1589	1	167914	(Single ply 38" wide) 1550-1-70-1		x
	951963	1590-91	1	31.468		CARPET	
	951936	1599	1	352887	(36" wide) 1522-25		x
31.4623		PAD, Rear seat cushion		376932	(40" wide) 1522		x
	380775	(Rubber) (Use with special foam rubber equipt.) 1502-12-82-92	1	350544	(44" wide) 1588-98		x
	380866	(Cotton) (Use with special foam rubber equipt. cloth jobs) 1582-92	1	31.469		CLOTH, Cotton	
	380881	(Cotton & hair) (Cloth jobs) (Not used with foam pad equipt.) 1502-12	1	29651	(36" wide) 1532-42-50-1-70-1-84		x
	370758	(Cotton & hair) (Not used with foam pad equipt.) 1572-82-92	1	233267	(50" wide) 1532		x
	370758	(Cotton & hair) (Leather jobs) (Not used with foam pad equipt.) 1502-12	1	31.470		CORD, Paper 1/8"	
	369902	(Cotton to burlap) Front 1584	1	306144	1951		x
	369870	(Cotton to burlap) Rear 1584	1	31.471		CORD-WELT 3/32" cord 3/8" flange	
	369903	(Cotton to cotton) 1584	1	339294	(Cloth) 1525-32-42-50-1		x
31.463		TRIM COVER ASSEMBLY, Rear seat cushion		339432	(Leather) (Colonial grain) 1550		x
	370844	(Cloth trim) 1951	1	CORD WELT, Imitation leather 1/8" paper cord 3/8" flange			
	376855	(Leather trim) 1951	1	350415	(Leather) 1505-15-85-95		x
	995037	(Cloth jobs) 1502-12-72	1	CORD-WELT, Imitation leather 3/16" paper cord 3/8" flange			
	981702	(Cloth jobs) 1505-15-75	1	352963	(Antique) 1579-89-99		x
	981704	(Leather jobs) 1505-15-75-85-95	1	352928	(Colonial grain) 1532-79-89-99		x
	995075	(Cloth jobs) 1522	1	CORD WELT, Imitation leather 5/8" paper cord 3/16" flange			
	981703	1525	1	350416	1562-70-1		x
	981005	1532-42	1	352892	(Mahogany finish) 1532-50-1		x
	981004	1550-1	1	243020	1579-89-99		x
	980997	(Cloth jobs) 1562	1	CORD WELT, Seaming lace 3/32" cord 3/8" flange			
	980998	(Leather jobs) 1562	1	350560	1522-5		x
	981002	(Cloth jobs) 1570-1	1	CORD WELT, Seaming lace 1/8" paper cord 3/8" flange			
	981003	(Leather jobs) 1570-1	1	339387	(Leather) (Antique) 1505-15-62-70-1-5-9-85-8-9-95-8-9		x
	981610	1579-89-99	1	334337	(Leather) (Colonial grain) 1505-15-62-70-1-5-9-84-5-9-95-8-9		x
	995019	(Cloth jobs) 1582-92	1	339233	(Cloth jobs) 1562-70-1		x
	981583	1584	1	376935	(Cloth jobs) 1562-70-1-2-5		x
	981701	(Cloth jobs) 1585-95	1	CORD WELT, Seaming lace 1/8" paper cord 5/8" flange (Imitation leather)			
	981624	1590-1	1	350359	1505-15-25-75-85-8-95-8		x
TRIM BULK STOCK				CORD WELT, Seaming lace 1/4" jute cord 3/8" flange			
31.465		BINDING 1-1/8" (Specify motor and set no.)		352759	(Cloth) 1532-42-50-1		x
	346124	(Cam cut) 1951	x	352762	(Cloth) 1562-70-1		x
	334381	(Bias cut - colonial grain) 1951	x	352694	(Antique) (Leather jobs) 1562-70-1-9-89-99		x
	352684	(Bias cut - natural grain) 1951	x	352693	(Colonial grain) (Leather jobs) 1562-70-1-9-89-99		x
	339381	(Bias cut - antique grain) 1951	x	31.473		DRILL WHITE COTTON, 7 oz. 36" wide	
	306536	(Leather jobs) (Bias cut - Black imitation-colonial grain) 1505-15-32-42-50-1-62-70-1-5-9-84-9-99	x	161787	1525-32-42-50-1		x
	BINDING-CARPET, 1" wide			31.474		FABRIC, Osnaburg 50" wide 1.71 black	
	370874	(Use with trim set #5) 1951	x	306132	20th Sr.		x
	370889	(Use with trim set #9) 1951	x				
	376904	(Cloth jobs) 1502-12-72-82-92	x				
	352636	(Cloth jobs) 1562-70-1	x				
	350417	(Leather jobs) 1505-15-70-1-5-85-95	x				
	350528	1584	x				
	BINDING, 3/4" double fold bias cut imitation leather						
	350739	(Colonial grain) 1584	x				
	BINDING, 1-1/2"						
	346035	1951	x				

TRIM—(Upholstery)

INDEX NO.	PART NO.	DESCRIPTION AND MODELS	PER CAR	INDEX NO.	PART NO.	DESCRIPTION AND MODELS	PER CAR
TRIM BULK STOCK—Continued				TRIM BULK STOCK—Continued			
31.474	FABRIC, Roof covering 42" wide			31.4745	FASTENER, Rear compartment panel trimming		
	184863 (Turtle Grain 159 Black finish) 1532	x		337312 1588-98	27
	FABRIC-TOP MATERIAL, 54" wide (Water repellent treated)				FASTENER, Rear seat side trimming		
	350378 (Black) 1579-89-99	x		337312 1505-15-25-75-85-95	18
	350375 (Khaki) 1579-89-99	x		FASTENER ASSEMBLY, Trunk Compartment - Front		
	350374 (Colored tops) 1579-89-99	x		311361 1525	3
	FABRIC-TOP BOOT MATERIAL, 54" wide				331791 1525	6
	339410 (Khaki Top) 1579-89-99	x		331791 1532-42-50-1	x
	350379 (Black Top) 1579-89-99	x		339437 1505-15-62-70-1-5-9-84-5-8-9-95-8-9	x
	350374 (Colored Top) 1579-89-99	x		370796 1502-12-72-82-92	x
	FABRIC-TOP PAD MATERIAL, 54" wide				FASTENER, Trunk compartment wheelhouse filler		
	350382 (With backing) 1579-89-99	x		307059 1505-15-25-75-85-8-95-8	4
	350377 1579-89-99	x		FASTENER ASSEMBLY, Under rear window and package tray		
	FABRIC, Upholstering 58" body cloth				370994 1502-12-72	7
	352441 (On 1502-12-82-92 use with trim #43-6-8)	x		306130 1532-42-50-1-62-70-1-84	x
	1502-5-12-5-82-92	x		307059 1505-15-25-75-85-8-95-8	4
	339429 (On 1522-5 use with trim #144-161) 1522-5-32-42-50-1	x		FASTENER, Eyelet		
	185211 (On 1522-5 use with trim #361-719-745-839)	x		195664 (Top rear curtain) 1579-89-99	x
	1522-5-32-42-50-1	x		FASTENER, Nail		
	352442 1562-70-1-2-5	x		334142 (Arm Rest Trim Panel) 1562	x
	370868 (Use with trim #5) 1951-1582-92	x		352948 (Arm Rest Trim Panel) 1532-42	x
	370992 (Use with trim #9) 1582-92	x		376121 (Center Pillar Trim) 1502-12-22-72-82-92	18
	370883 (Use with trim set #9) 1951	x		334142 (Center Pillar Trim) 1542-51-62-71-84	x
	352440 (On 1582-92 use with trim #31-2-5, 1582-5-8-92-5-8	x		334142 (Wheelhouse Cover) 1584	6
	352441 1590-1	x		FASTENER, Plate		
	FABRIC, Upholstering headlining				339253 (Arm Rest Trim Panel) 1532-42-62	x
	325195 (Cloth jobs) (61" wide) (On 1582-92 use with trim #31-2-5-43-6-8) 1502-5-12-5-62-70-1-2-5-8-92-5-8	x		376119 (Center Pillar Trim) 1502-12-22-72-82-92	18
	339430 (Cloth jobs) (58" wide) 1522-5-32-42-50-1	x		339253 (Center Pillar Trim) 1542-51-62-71	x
	370871 (Cloth jobs) (60" wide) (Use with trim #5) 1951-1582-92	x		339253 (Wheelhouse Cover) 1584	6
	370886 (Cloth jobs) (60" wide) (Use with trim #9) 1951-1582-92	x		FASTENER, Snap button		
	352444 (Cloth jobs) 1590-1	x		139159 (Top Envelope & Bag) 1579-89-99	x
	FABRIC, Upholstering side wall				FASTENER, Snap Eyelet		
	352443 (58" wide) (On 1502-12-82-92 use trim #31-2-5-45) 1502-5-12-5-82-5-8-92-5-8	x		175757 (Carpet) 1550-1-70-1	x
	339430 (58" wide) 1522-5-32-42-50-1	x		139158 (Top Envelope Bag) 1579-89-99	x
	352445 (60" wide) 1562-70-1-2-5	x		FASTENER, Snap (Machine screw post)		
	352444 (58" wide) (On 1582-92 use with trim #43-6-8) 1582-90-1-2	x		325481 (Body Belt rail) 1579-89-99	x
	370870 (58" wide) (Use with trim #5) 1951-1582-92	x		FASTENER, Snap machine screw post trim button		
	376924 (58" wide) (Use with trim #9) 1582-92	x		349888 (Rear Quarter Panel Trimming) 1579-89-99	x
	370885 (Use with trim set #9) 1951	x		FASTENER, Snap Socket		
31.4745	FASTENER-COWL PANEL TRIM				139150 (Carpet floor rear) 1550-1	x
	306948 1532-42-50-1	2		139150 (Top envelope & bag) 1579-89-99	x
	307059 1562-70-1-9-84-9-99	2		352000 (Wheel compartment floor) 1532-42-50-1	x
	306179 1532-42-50-1-62-70-1-9-84-9-99	12		352000 (Carpet floor front) 1562-70-1-9-89-99	x
	FASTENER, Door trim				352000 (Carpet floor rear) 1570-1	x
	361929 1951-1502-12-22-72-82-92	x		FASTENER, Snap Stud		
	352886 1505-15-25-32-42-50-1-62-70-1-5-9-84-5-8-9-95-8-9	x		139157 (Top envelope bag) 1579-89-99	x
	FASTENER ASSY., Under rear window package tray				325119 (Top envelope) 1579-89-99	x
	370995 (Button head type-specify color) 1951	4		334380 (Carpet floor) 1532-42-50-1-62-70-1-9-89-99	x
	FASTENER-FRONT SEAT BACK PANEL TRIM				FASTENER, Snap Stud (Drive screw)		
	339435 (Bottom) 1542-51-62-71	x		206744 (Folding seat heel board) 1550-1-70-1	x
	306130 (Top) 1562-71-9-89-99	x		FASTENER, Snap Stud (Self tapping)		
	FASTENER ASSEMBLY, Front seat bottom frame rear corner trimming				334380 (Top Envelope) 1579-89-99	x
	337312 1505-15-25-75-85-8-95-8	4		339018 (Wheel Compartment Floor) 1532-42-50-1	x
	FASTENER, Partition Panel Back Top				FASTENER, Stud		
	352354 1542-51	x		328127 (Arm rest trim panel) 1532-42-62	x
					328127 (Center pillar trim) 1542-51-62-71-84	x
					328125 (Wheelhouse cover) 1584	6
					FASTENER, Stud two screw base-top rear curtain		
					195341 1579-89-99	x

INDEX NO.	PART NO.	DESCRIPTION AND MODELS	PER CAR	INDEX NO.	PART NO.	DESCRIPTION AND MODELS	PER CAR
TRIM BULK STOCK—Continued				TRIM BULK STOCK—Continued			
31.4745		FASTENER, Stud rivet 9/64" x 1/4" two screw base-top rear curtain		31.490		SHEETING-48-44 COUNT, (Used for listings)	
	195683	1579-89-99	x		352961	(3-1/2" wide 40") 20th Sr.	x
		FASTENER, Stud washer			352960	(2-1/2" wide 40") 20th Sr.	x
	161792	(Top rear curtain) 1579-89-99	x	31.4915		TACK-LACE	
31.475		FELT			29657	(Japanned 4 oz.) 20th Sr.	x
	370851	(3/32" x 1-1/2") 1951-20th Sr.	x		339167	(Japanned 6 oz.) 20th Sr.	x
	361947	(1/8" x 3/4") 1951-20th Sr.	x		128467	(Japanned 8 oz.) 20th Sr.	x
	350490	(1/4" x 3/16") 20th Sr.	x			TACK-TRIMMERS	
	352758	(2" x 1/16") 20th Sr.	x		29662	(1-1/2 oz. Japanned) 20th Sr.	x
	370853	(2" x 1/16") 1951	x		29663	(2-1/2 oz. Japanned) 20th Sr.	x
	306537	(Top bow filler) 1579-89-99	x		29664	(4 oz. Japanned) 20th Sr.	x
31.476		GIMP, Binding 1/2"			29666	(10 oz. Japanned) 20th Sr.	x
	361943	1522	x	31.4916		TAPE, 1/2" bias cloth	
		GIMP, 3/4" Bias Cut Imitation Leather			376926	(Leather jobs) 1502-12-72-82-92	x
	339390	(Antique) 1579-89-99	x		352147	1505-15-25-75-85-8-95-8	x
	156857	(Colonial) 1525-79-89-99	x	31.4917		THREAD	
31.477		HOG RINGS			339428	(16-4 Soft Finish) 20th Sr.	x
	306188	(Small) 20th Sr.	x		306199	(16-4 Silk Finish) 20th Sr.	x
	314737	(Large) 20th Sr.	x		127808	(20-4 Silk Finish) 20th Sr.	x
31.480		LACE, Flat seaming 1-1/4" wide 3/8" pattern face			29640	("EE" No. 18 or Dean and Sherk No.12-4) 20th Sr.	x
	350395	1525	x		200639	(90-3 Drayton Carlisle three cord left twist) 1525	x
31.481		LEATHER, Imitation 1.30 sateen 50" wide			306200	(20-4 Soft Finish) 20th Sr.	x
	352936	(Leather jobs) (Colonial grain) 20th Sr. ...	x		334155	(70-3 Silk Finish Cotton Left Twist) 20th Sr.	x
	370968	(Antique Finish) 1951	x		29637	(#EE Spool Silk) 1532	x
	352935	(Leather jobs) (Antique grain) 1502-5-12-5-62-70-1-2-5-9-82-5-8-9-92-5-8-9	x	31.492		WADDING, Blue sheet	
	370872	(Cloth jobs) 1951-1502-5-12-5-72-5-82-5-8-92-5-8	x		29627	(32") 20th Sr.	x
		LEATHER, Turtle Grain (Landau 10 to 10-1/2 oz.) (blk.)			361936	(42") 1951-20th Sr.	x
	183986	1532	x	31.492		WADDING WHITE COTTON, Unbleached rolled	
		LEATHER, Trimming (Hand buffed)			172470	(4"-5 oz.) 20th Sr.	x
	339391	(Antique grain) 1951-20th Sr.	x		339261	(6"-6 oz.) 20th Sr.	x
	156348	(Colonial grain) 1951-20th Sr.	x		365991	(9"-9 oz.) 1584	x
	226917	(Natural grain) 1951	x		365992	(10"-12 oz.) 1584	x
		LEATHER, Trimming (Machine buffed)			369765	(5"-3-1/2 oz.) 20th Sr.	x
	306236	(Colonial grain) 1584	x		380867	(5"-5 oz.) 20th Sr.	x
		LEATHER, Trimming (Hatton hair pore grain)			380839	(9"-12 oz.) 20th Sr.	x
	350360	1522-5	x		380863	(9"-12 oz.) 20th Sr.	x
31.4815		MASONITE, 48" x 144" (.105)			350551	(10"-8 oz.) 20th Sr.	x
	352386	1550-1	x		172470	(4"-5 oz.) 20th Sr.	x
31.483		PAD-JUTE 36" wide				WADDING, Unbleached 32" wide	
	226167	(20 oz.) 20th Sr.	x		352888	(#532) 20th Sr.	x
	200737	(40 oz.) 20th Sr.	x		352718	(#632 Glazed one side) 20th Sr.	x
31.485		PAPERBOARD		31.494		WEBBING	
	352097	(40" x 60" .040) 20th Sr.	x		352384	(1" wide elastic) 1542-51	x
	352140	(40" x 60" .060) 20th Sr.	x		62759	(3" wide jute) 1579-89-99	x
	352382	(40" x 60" .100) 20th Sr.	x	31.4954		WINDCORD LACE, 3" wide	
	352141	(40" x 60" .080) 20th Sr.	x		370873	(Use with trim #5) 1582-92	x
	352096	(52" x 60" .070) 20th Sr.	x		370888	(Use with trim #9) 1582-92	x
	352349	(40" x 60" .125) 20th Sr.	x		376898	(Use with trim #31-2-43-6-8) 1582-92	x
31.486		PAPERBOARD SHIM			376899	(Use with trim #35-45) 1502-12-82-92	x
	350504	(3/4" x 36" .060) 20th Sr.	x		376925	1572	x
	312379	(1" x 36" .060) 20th Sr.	x	31.4957		WINDLACE ASSEMBLY	
	339158	(1/2" x 60" .090) 20th Sr.	x		380840	(Leather jobs) 1502-12-72-82-92	x
	312380	(1" x 36" .100) 20th Sr.	x		380831	(Cloth jobs) 1522	x
	312381	(1/2" x 36" .060) 20th Sr.	x	31.497		WINDLACE CLOTH 1/2" tubing 5/8" flange	
	312382	(1/4" x 36" .060) 20th Sr.	x		370873	(Use with trim set #5) 1951	x
31.487		PLUSH-HIGH PILE WORSTED, 58" wide			370888	(Use with trim set #9) 1951	x
	211171	1522-5-32-42-50-1	x		350361	(Cloth jobs) 1505-15-85-8-95-8	x
					350550	(Cloth jobs) 1522-5	x
					339411	(Cloth jobs) 1532-42-50-1	x
					350391	(Cloth jobs) 1562-70-1-5	x
					369834	1584	x
				31.498		WINDLACE, Imitation leather 1/2" O.D. tubing 5/8" flange	
					339392	(Antique grain) (Leather jobs) 20th Sr. ...	x
					339140	(Colonial grain) (Leather jobs) 20th Sr. ...	x

NUMERICAL INDEX

PART NO.	INDEX NO.	PART NO.	INDEX NO.	PART NO.	INDEX NO.	PART NO.	INDEX NO.	PART NO.	INDEX NO.
21662	5.1222	120813	3.400	184863	31.474	213493	5.0936	232276	3.110
29627	31.492	120813	9.200	184866	30.880	213505	5.0935	232276	3.133
29637	31.4917	120813	12.005	184876	4.1623	213518	5.0914	232363	7.002
29640	31.4917	121265	15.103	185167	13.023	213520	5.0910	232380	30.608
29651	31.469	122611	30.851	185211	31.474	213744	5.0919	232774	15.4071
29657	31.4915	126770	1.105	187356	5.1804	213745	5.0917	232776	15.407
29662	31.4915	126770	3.413	190021	5.1402	213746	5.0919	233267	31.469
29663	31.4915	126770	4.1650	190191	1.303	213866	10.0876	234526	19.000
29664	31.4915	126770	5.1609	190192	9.1140	215947	5.1209	234577	1.500
29666	31.4915	126985	12.029	190192	9.1165	216137	5.1213	234579	1.500
31338	30.900	127808	31.4917	190192	9.132	216548	15.0075	234729	1.5035
33287	4.1653	128467	31.4915	190291	3.116	216548	15.2007	234734	1.200
33287	30.6111	129439	5.1701	190291	3.3085	216548	15.5137	234839	1.201
33287	30.6201	132429	30.873	191995	1.100	216549	1.3065	234861	1.004
33287	30.6240	132972	30.332	194607	30.4395	216549	3.106	234862	1.009
33287	30.6280	132972	30.388	194732	9.014	216549	15.4065	234863	1.011
33287	30.661	132972	30.419	194732	9.019	216724	1.6075	234865	1.012
33287	30.668	132972	30.457	194732	9.01315	216724	14.006	234869	1.016
33287	30.680	132972	30.504	194732	9.136	218777	11.0045	234872	1.017
36111	4.01025	132972	30.864	194732	30.034	218826	30.3010	234873	1.018
36111	4.1026	132972	30.8765	195341	31.4745	219312	4.1206	234875	1.020
36111	4.1653	132972	31.294	195664	31.4745	220964	30.5025	234876	1.021
36111	30.6004	133264	30.335	195683	31.4745	221981	2.000	235161	30.625
36111	30.6093	133264	30.391	197130	12.0340	223185	6.107	235175	30.625
36111	30.6240	133264	30.421	197876	30.821	223889	4.02145	235176	30.038
36111	30.6280	133264	30.460	199045	5.1800	223889	4.06155	235177	30.039
36111	30.680	133264	30.506	199167	30.8545	224537	30.019	235206	30.669
36111	50.935	133264	30.866	199952	30.863	224548	30.017	235255	30.833
43293	15.4015	133339	30.336	200639	31.4917	224549	30.017	235721	31.2345
56973	30.6114	133339	30.392	200737	30.842	224573	30.018	235770	30.030
56973	30.6220	133339	30.422	200737	31.483	224887	30.319	235771	30.007
56973	30.6600	133339	30.461	201570	4.00046	224887	30.449	235771	30.3570
62759	31.494	133339	30.870	202056	31.031	224917	30.885	235771	30.4810
67277	4.00046	133339	31.333	202221	11.0116	225112	11.205	235771	30.855
67277	4.22086	136008	30.873	202504	11.0114	225148	9.106	235771	31.2820
71397	4.01025	136982	5.15001	202601	3.012	225262	4.0618	237021	15.500
71397	30.6003	139150	31.4745	202699	1.408	225262	4.1506	237023	1.023
71397	30.6280	139157	31.4745	202719	1.502	225263	4.1507	237024	1.023
71397	50.925	139158	31.4745	202721	1.410	225377	4.01025	237025	1.023
97056	15.404	139159	31.4745	203905	4.05767	225377	30.6003	237026	1.023
98325	13.0013	139466	30.818	203905	4.2209	225377	30.669	237082	15.411
98326	13.0013	139466	30.820	203905	4.23275	225377	30.680	237083	15.411
98327	13.0013	139521	11.1085	203905	4.23315	225465	9.400	237084	15.411
98674	5.05045	141532	6.105	205429	5.0900	225490	9.01313	237085	15.411
98732	5.1902	141535	6.108	205454	3.2092	225505	30.6805	237086	15.411
98735	9.2001	146955	4.23275	206130	30.021	225555	18.0105	237087	15.411
98737	11.017	146955	10.104	206744	31.4745	225557	18.011	237088	15.411
98755	30.3185	148842	4.1207	207079	4.23276	225565	18.012	237215	3.168
98758	30.3185	148842	30.451	207246	4.0313	225613	3.138	237402	1.0231
98759	30.3185	156348	31.481	207477	4.11001	225655	4.02145	237403	1.0231
98766	3.1166	156857	31.476	207558	5.1557	225655	4.06155	237404	1.0231
98774	31.110	161787	31.473	207750	3.1162	225655	4.1502	237405	1.0231
98776	7.2075	161792	31.4745	207750	3.137	225655	4.1700	237407	1.0232
98780	5.09095	163168	30.872	207750	3.1415	225655	4.22105	237408	1.024
98782	5.09095	164239	30.867	207750	3.1497	225655	30.6670	237410	1.026
98783	11.0123	167914	31.466	207750	10.0118	225905	13.023	237411	1.027
98784	11.0123	170400	3.160	207750	19.118	226025	30.869	237412	1.028
98795	11.0123	170400	3.164	207776	3.168	226167	30.842	237413	1.026
100100	30.891	170401	30.6492	209171	4.00046	226167	31.483	237414	1.028
101200	7.015	171863	30.6110	209171	4.13051	226917	31.481	237476	19.0015
101200	30.8135	172470	31.492	209171	4.22085	228539	4.2321	237557	3.154
101200	31.2745	175757	31.4745	209171	4.2321	228539	10.128	237557	3.169
102585	4.1665	176578	31.465	209262	30.8545	228617	3.007	237673	3.400
102585	30.6220	176593	15.404	209611	4.2321	229255	10.0305	237673	12.001
102590	4.14015	180803	15.406	209611	4.2322	229255	31.174	237710	1.500
102590	30.6114	183836	30.664	209611	4.2324	229261	30.867	237711	1.500
102590	30.6370	183962	0.0345	210016	5.0906	229284	30.852	237878	1.414
102590	30.6595	183962	0.03355	210120	5.0201	229302	4.00046	237891	1.411
102590	30.6600	183986	31.481	211171	31.487	229302	4.22091	237893	1.409
102590	30.6675	184036	30.863	211809	30.945	230085	11.0123	237895	1.4155
107654	30.670	184259	30.880	212713	30.6571	230446	11.209	237899	1.4155
111192	5.1100	184260	30.880	213021	1.1086	231217	19.001	237970	15.411
111561	15.4105	184268	30.881	213315	15.318	231391	19.041	237971	15.411
114055	2.006	184433	30.040	213472	5.0908	232160	3.3003	237972	15.411
114608	14.106	184851	30.893	213480	5.0913	232196	1.101	237973	15.411
119143	30.885	184852	30.893	213481	5.0914	232275	3.111	237974	15.411

NUMERICAL INDEX (Cont'd)

PART NO.	INDEX NO.	PART NO.	INDEX NO.	PART NO.	INDEX NO.	PART NO.	INDEX NO.	PART NO.	INDEX NO.
237975	15.411	300176	5.0605	302243	15.314	302952	15.411	303502	3.013
237976	15.411	300181	5.0918	302247	15.321	302952	15.503	303503	3.015
237977	15.411	300181	5.1203	302254	5.0101	302953	15.411	303504	3.018
237978	15.411	300190	4.0311	302255	15.318	302953	15.503	303505	3.015
237979	15.411	300191	5.0407	302274	15.3225	302954	15.411	303509	3.001
237980	15.411	300193	5.0501	300278	15.5095	302954	15.503	303510	3.011
237981	15.411	300196	5.1702	302037	5.1401	302955	15.411	303563	9.005
237982	15.411	300219	4.0701	302311	5.0520	302955	15.503	303563	9.017
239142	1.412	300221	4.0701	302359	15.515	302956	15.411	303563	9.0203
239407	4.0628	300226	5.1604	302404	0.0098	302956	15.503	303591	2.000
239407	4.11125	300228	3.2092	302404	3.149	302957	15.411	303623	19.112
239453	4.1113	300229	4.0701	302441	5.0404	302957	15.503	303680	15.301
239476	19.003	300233	5.1100	302446	5.11015	302958	15.411	303748	15.0075
240030	15.4081	300236	3.213	302456	3.405	302958	15.503	303784	4.1102
240031	15.409	300237	3.233	302464	3.000	302959	1.0232	303785	4.2340
240032	15.412	300253	3.247	302481	3.127	302964	1.026	303836	1.407
240039	15.501	300277	5.1603	302492	1.611	302965	1.026	303837	1.407
240040	15.501	300278	15.412	302492	5.0513	302966	1.028	303906	5.0902
240044	15.400	300285	3.229	302492	5.1016	302967	1.028	303913	12.029
240485	3.114	300290	3.2282	302495	1.0101	302968	1.027	303926	5.1207
240486	1.304	300295	5.11015	302496	1.010	302969	1.027	303927	5.1219
240590	19.117	300305	5.1305	302501	1.608	302970	1.024	303928	5.1221
240668	4.05766	300414	6.108	302503	3.119	303002	1.020	303930	5.1208
240668	4.23001	300426	4.0600	302504	3.118	303003	1.011	303938	3.217
240668	30.6090	300427	5.0920	302551	15.4105	303004	1.003	303939	5.0304
240669	4.05766	300436	6.010	302577	3.216	303005	1.017	303939	7.103
240669	4.23001	300614	9.209	302578	3.2155	303006	1.018	303939	7.0166
240669	30.6490	300614	9.400	302560	12.019	303007	1.002	303939	7.011
240708	0.030	300614	30.3876	302591	3.232	303009	1.015	303939	1.606
240743	5.1705	300614	30.5034	302594	5.1801	303010	1.014	303943	13.000
241383	30.868	300614	30.818	302627	3.014	303011	1.003	304043	15.305
241473	31.2535	300614	30.820	302629	3.018	303018	1.016	304059	1.100
241578	30.662	300614	30.822	302645	9.113	303020	1.009	304123	3.2091
241588	30.661	300614	30.8634	302684	15.401	303021	1.009	304124	3.2281
241589	30.668	300614	30.8706	302700	1.010	303023	1.005	304128	5.1800
242077	3.3085	300693	9.001	302701	1.030	303024	1.006	304265	5.0410
242234	13.023	300693	9.0035	302701	1.6075	303025	1.004	304266	5.0111
242503	1.019	300693	9.005	302702	1.010	303026	1.012	304267	5.0800
242504	1.029	300693	9.006	302703	1.606	303034	9.304	304268	5.1805
242505	1.029	300693	9.007	302714	6.002	303051	1.401	304309	5.1802
242615	11.002	300693	9.008	302717	1.411	303052	1.401	304315	1.000
243020	31.471	300693	9.009	302720	1.411	303053	1.402	304316	1.000
243512	31.240	300693	9.1205	302720	15.402	303058	1.414	303939	9.400
243513	31.240	300693	9.142	302721	15.401	303060	1.414	304317	1.000
243541	15.2005	300693	9.144	302729	1.416	303061	1.416	304413	16.005
243571	30.609	300729	12.019	302736	5.0503	303063	1.403	304442	15.517
243690	30.883	300735	5.1201	302739	3.3047	303064	1.409	304465	3.007
245197	30.332	300820	3.211	302739	15.103	303065	1.405	304506	15.500
245197	30.457	300844	3.218	302739	15.5137	303080	15.321	304561	18.0005
245200	30.850	300897	12.020	302770	5.0900	303083	15.512	304562	18.043
245200	30.886	300903	5.1602	302770	5.1900	303173	19.118	304599	15.4095
245204	30.660	300910	3.235	302802	5.1210	303173	19.121	304599	15.5085
245205	30.663	300910	3.4461	302803	5.1200	303245	4.1328	304611	15.319
266890	31.281	300910	3.488	302804	5.1209	303289	4.0601	304690	1.000
300014	5.0404	300910	12.0161	302805	5.1214	303316	15.328	304698	15.518
300021	5.1701	300910	18.017	302806	5.1212	303347	9.307	304775	5.1800
300027	5.0400	300915	1.301	302807	5.1202	303359	4.1110	304815	1.203
300037	5.0903	300915	3.112	302808	3.236	303381	5.1401	304834	31.316
300057	5.1803	300937	3.212	302868	3.488	303382	5.1401	304840	31.319
300059	5.1804	300954	3.230	302868	12.0161	303391	5.0402	304879	1.413
300063	5.1800	300961	9.045	302868	18.017	303392	5.0402	304880	1.023
300064	5.1807	300997	9.308	302877	18.015	303393	5.0402	304881	1.023
300066	5.0506	302075	1.500	302882	15.319	303394	5.0402	304884	1.0231
300069	5.01114	302077	1.500	302883	15.319	303398	5.0204	304885	1.0231
300070	5.01115	302121	4.06206	302884	15.328	303400	15.404	304886	1.023
300103	5.0803	302121	4.16415	302885	1.0231	303401	15.404	304887	1.023
300129	3.413	302127	15.101	302912	1.030	303405	18.038	304888	1.026
300129	5.0900	302127	15.322	302914	1.0231	303407	18.0045	304890	1.028
300150	5.1205	302134	1.6054	302915	1.0231	303407	18.042	304914	2.0050
300162	5.0600	302137	15.321	302918	1.0231	303409	18.000	304914	4.0573
300163	5.0601	302161	31.099	302919	1.0231	303420	4.16246	304962	2.0050
300169	5.0801	302228	12.022	302944	1.127	303467	3.016	304962	2.009
300170	5.0801	302229	12.018	302948	1.023	303468	3.014	304962	2.0095
300171	5.0500	302230	12.021	302949	1.023	303469	3.010	304988	3.001
300172	5.0802	302234	15.3155	302950	1.023	303475	15.201	304993	3.007
300175	5.0606	302241	15.315	302951	1.023	303500	3.019	305867	30.801

NUMERICAL INDEX (Cont'd)

PART NO.	INDEX NO.	PART NO.	INDEX NO.	PART NO.	INDEX NO.	PART NO.	INDEX NO.	PART NO.	INDEX NO.
305880	30.802	314805	31.2875	316858	1.010	320547	9.4005	324197	2.013
306130	31.4745	314879	30.833	316861	1.0101	320551	5.0517	324217	1.1086
306132	31.474	314915	30.100	316934	13.000	320578	5.0500	324226	11.223
306144	31.470	314919	30.009	316934	19.106	320585	5.1910	324229	6.101
306179	31.4745	314926	30.308	316978	15.411	320598	5.0531	324254	6.101
306188	31.477	314926	30.445	316978	15.503	320605	5.1901	324283	5.1401
306199	31.4917	315039	5.1702	316979	15.411	320619	5.0531	324284	5.0503
306200	31.4917	315047	4.1111	316979	15.503	320625	5.1923	324305	5.1204
306236	31.481	315059	5.0900	316980	15.411	320686	11.0122	324328	15.3100
306251	31.465	315060	5.0907	316980	15.503	320727	8.027	324329	15.3100
306536	31.465	315061	5.0908	316981	15.411	320728	8.027	324330	8.039
306537	31.475	315062	5.0910	316981	15.503	320747	14.106	324335	15.3100
306948	31.4745	315063	5.0916	316982	15.411	320783	4.1109	324367	9.014
307059	31.4745	315064	5.11015	316982	15.503	320888	7.002	324401	5.1203
307128	30.201	315065	5.11015	316983	15.411	320898	31.199	324402	5.1200
308248	30.4395	315077	5.0933	316983	15.503	320929	5.1609	324461	1.300
308769	30.418	315157	6.108	316984	15.411	320931	5.1610	324463	3.113
309519	12.017	315281	5.0911	316984	15.503	320932	5.1610	324464	1.303
309523	12.013	315433	5.0521	316985	15.411	320933	5.1602	324486	13.000
309525	12.0162	315571	3.000	316985	15.503	320934	5.1601	324551	5.0806
309841	3.328	315617	5.0519	316986	15.411	320967	7.203	324552	5.0807
309958	8.0065	315635	9.306	316986	15.503	320968	8.044	324619	3.015
309859	8.0231	315643	9.306	316987	15.411	320969	8.044	324621	4.0602
309987	5.0500	315658	15.3235	316987	15.503	320986	11.0045	324661	8.013
310139	31.232	315684	4.0007	316988	15.411	320987	11.0045	324668	6.002
310144	31.232	315685	4.0007	316988	15.503	323010	12.003	324671	4.2334
310145	31.226	315686	4.0009	316989	15.411	323050	14.004	324673	5.1401
310146	31.233	315703	5.0400	316989	15.503	323068	18.0255	324674	5.1401
310372	30.318	315756	15.4071	316990	15.411	323069	18.030	324682	30.657
310404	30.915	315760	1.500	316990	15.503	323070	18.029	324701	7.016
311143	30.945	315829	1.607	317316	7.103	323071	18.029	324716	5.0403
311361	31.4745	315932	6.004	317350	30.814	323072	18.031	324717	5.0403
311418	31.329	315942	3.115	317351	30.815	323132	12.036	324719	5.0403
311429	30.552	315970	6.002	317352	30.814	323133	12.035	324720	5.0403
311430	30.416	315970	6.004	317353	30.815	323135	12.0315	324721	5.0403
311431	30.409	315970	6.008	317532	4.1106	323136	12.032	324730	5.0403
311431	31.315	315970	6.010	317534	4.1106	323137	12.030	324731	5.0403
311439	30.3845	315999	5.0517	317535	4.1106	323140	12.034	324732	5.0404
311439	30.406	316027	1.102	317537	4.1106	323141	12.034	324734	9.001
311439	30.5005	316150	4.0617	317540	4.1110	323142	12.034	324737	9.0035
311439	30.859	316159	3.014	317624	5.0402	323143	12.029	324759	0.0336
311439	30.8752	316177	4.2326	317625	5.0402	323148	12.034	324759	10.065
311439	31.309	316187	1.5035	317626	5.0402	323149	12.034	324759	11.220
311459	31.328	316188	1.504	317627	5.0402	323150	12.032	324759	11.303
311729	4.1329	316203	15.3315	317688	15.317	323151	12.0315	324759	11.305
311793	1.021	316206	15.3317	317689	15.317	323152	12.030	324771	9.201
311832	3.136	316207	15.3316	317788	5.0915	323352	12.007	324772	9.205
311919	12.0005	316212	11.008	317849	3.007	323379	12.006	324791	9.200
311920	12.002	316226	5.0515	317853	3.012	323428	12.010	324851	7.003
311926	12.012	316251	15.000	317854	3.014	323435	12.008	324851	7.104
311935	18.017	316253	15.001	317872	9.0113	323436	12.009	324905	0.030
311983	1.025	316254	15.002	317914	5.1926	323469	12.007	324926	3.000
311990	12.0105	316255	15.003	317977	4.0307	323777	15.3305	324946	12.0295
311991	12.0105	316256	15.003	318553	30.935	323803	15.331	324947	12.0295
311992	12.000	316259	15.004	318583	30.441	324008	3.107	324953	5.1706
311997	6.106	316260	15.004	318650	31.317	324011	15.317	324759	0.016
312379	31.486	316261	15.0076	318785	30.022	324041	15.100	324961	12.0315
312667	31.107	316262	15.006	318944	7.103	324051	15.103	325119	31.4745
312380	31.486	316293	18.0134	319038	8.0285	324059	14.106	325195	31.474
312381	31.486	316340	19.113	319645	5.1918	324088	15.316	325841	31.4745
312382	31.486	316398	19.108	319993	1.605	324092	1.305	325530	30.338
313561	31.061	316419	3.125	319966	12.0015	324102	1.1231	325531	30.464
313561	31.353	316442	6.1015	320143	15.001	324105	15.100	325540	30.308
313562	31.062	316485	1.500	320143	15.008	324108	1.1086	325540	30.445
313563	31.062	316486	1.500	320294	4.2324	324135	5.1909	325582	30.318
314035	30.309	316491	1.200	320294	9.4005	324146	1.605	325583	30.318
314151	30.618	316492	1.200	320296	1.6056	324147	12.034	325611	31.404
314151	31.400	316565	5.0521	320297	1.6054	324150	1.601	325616	31.393
314537	31.226	316600	1.501	320363	5.0402	324152	1.600	325661	31.238
314620	30.892	316601	1.501	320364	5.0402	324153	1.603	325670	31.2373
314737	31.477	316643	15.000	320365	5.0402	324154	1.603	325671	31.239
314804	30.3845	316673	12.0235	320366	5.0402	324155	1.603	325675	31.236
314804	30.5005	316684	15.007	320394	14.116	324156	1.603	325677	31.2305
314804	31.2875	316756	19.0015	320456	9.109	324171	11.013	325681	31.226
314805	30.3845	316777	4.0009	320457	9.109	324184	7.203	325681	31.227
314805	30.5005	316818	9.011	320517	5.1929	324197	2.012	325714	30.394

NUMERICAL INDEX (Cont'd)

PART NO.	INDEX NO.	PART NO.	INDEX NO.	PART NO.	INDEX NO.	PART NO.	INDEX NO.	PART NO.	INDEX NO.
325715	30.387	327656	4.16055	330344	3.3045	333143	3.252	333728	19.001
325724	7.011	327691	18.026	330344	3.310	333145	3.3031	333751	1.019
325724	7.100	327698	18.011	330344	9.001	333146	3.409	333752	1.029
325770	7.100	327699	18.027	330044	9.002	333151	3.316	333753	1.029
325782	11.0045	327700	18.027	330344	9.0035	333154	3.3165	333754	1.029
325791	30.015	327726	14.110	330344	9.1205	333181	3.410	333761	3.300
325810	30.352	327734	9.014	330344	9.142	333195	15.406	333761	3.302
325811	30.418	327737	18.026	330344	50.242	333196	15.406	333761	17.001
325818	30.376	327753	14.110	330347	3.204	333200	1.200	333761	17.003
325819	30.376	327796	11.224	330410	15.308	333201	3.323	333783	18.013
325826	30.610	327807	9.203	330416	15.313	333204	3.324	333788	4.2233
325872	30.935	327808	11.222	330423	19.107	333219	15.308	333790	3.413
325880	31.031	327872	13.023	330526	3.145	333220	15.309	333792	6.100
325886	30.628	327874	13.023	330531	31.164	333269	30.707	333802	8.017
325887	30.628	327942	13.0016	330614	14.111	333280	13.023	333809	3.215
325919	31.063	327943	13.0016	330666	3.010	333289	5.0105	333813	3.234
325981	31.1645	327944	13.0016	330697	1.1095	333290	3.170	333817	3.246
325987	30.881	327954	14.110	330698	1.1095	333291	3.170	333833	4.2231
325988	30.895	327956	5.1701	330751	5.0201	333296	3.172	333834	5.0200
326024	30.305	327958	5.1701	330755	5.0112	333297	3.172	333837	5.1608
326047	30.881	327958	5.1701	330774	5.0903	333301	9.106	333839	5.1607
326065	30.306	327971	4.10024	330775	5.0903	333329	18.013	333851	8.023
326078	30.885	328125	31.4745	330779	5.0500	333337	3.242	333865	4.14026
326079	30.885	328127	31.4745	330780	5.0901	333343	9.106	333891	1.132
326115	0.007	328511	31.018	330800	6.107	333354	8.030	333905	15.313
326117	0.007	328537	10.023	330801	1.609	333355	8.030	333913	1.125
326135	30.861	328599	30.832	330802	1.610	333383	4.0008	333914	1.125
326142	30.854	328601	30.6845	330807	6.107	333426	3.485	333931	1.200
326247	30.845	328617	31.031	330868	15.4081	333433	4.0008	333934	5.0518
326304	30.314	328663	11.108	330869	1.100	333434	1.123	333936	9.0035
326342	30.618	328663	30.311	330892	14.1051	333436	1.123	333941	1.501
326351	30.6165	328663	30.456	330911	5.0100	333437	1.123	333942	1.501
326352	30.620	328689	30.1015	330921	3.320	333440	5.1607	333945	8.033
326493	30.1015	328752	30.396	330922	3.3125	333443	5.1608	333976	0.0075
326494	30.1015	328753	30.396	330930	3.317	333444	5.1608	333976	5.0608
326500	5.1607	328788	31.393	330935	3.320	333445	5.1608	333976	6.102
326541	7.003	328834	31.1645	330936	3.321	333446	5.1608	333984	4.0200
326541	7.103	328869	30.100	330937	3.322	333449	3.105	333995	3.210
326546	0.0115	328874	30.8365	330950	8.022	333459	8.030	334142	31.4745
326546	7.002	328875	30.8365	330970	1.1095	333469	6.100	334155	31.4917
326546	7.103	328876	30.8365	331576	30.3010	333475	1.103	334337	31.471
326564	11.206	328968	30.433	331576	30.4380	333477	6.005	334380	31.4745
326568	11.2163	328969	30.433	331591	30.388	333478	6.005	334381	31.465
326569	11.213	329257	12.002	331591	30.419	333484	6.103	334399	5.1607
326579	11.2163	329266	12.0005	331591	30.504	333485	6.005	334513	5.1928
326583	10.0266	329272	12.013	331591	30.864	333485	6.008	334659	5.1300
326583	11.204	329282	15.331	331591	30.8763	333485	6.103	334889	12.003
326634	8.0310	329310	12.002	331591	31.330	333486	6.005	334921	12.0340
326635	8.0310	329373	12.005	331597	31.164	333486	6.008	334922	12.030
326640	7.004	329484	12.002	331675	30.307	333490	6.008	334929	12.0315
326640	7.105	329530	3.1015	331722	30.342	333528	8.023	334977	19.001
326706	14.008	329536	19.0015	331729	30.837	333529	8.023	334995	15.402
326755	9.309	329599	12.021	331741	30.100	333543	3.226	335022	3.414
326772	6.104	329627	12.034	331746	30.825	333545	1.224	335026	15.512
326814	3.138	329628	12.034	331791	31.4745	333546	3.452	335027	15.512
326818	6.002	329629	12.034	331837	31.164	333572	3.214	335032	13.005
326836	14.010	329655	12.012	331886	30.883	333573	3.248	335032	13.006
326837	5.0904	329898	3.1013	331887	30.883	333580	3.219	335034	15.513
326860	14.000	329899	3.1014	331916	7.0216	333580	8.023	335052	3.120
326870	12.0161	329955	3.1205	331916	7.0217	333583	5.1404	335079	13.005
326876	18.014	329956	3.122	331916	7.1175	333608	4.23005	335106	19.014
326877	18.014	329957	3.123	331921	30.624	333608	30.6813	335127	3.415
326881	18.0134	329958	3.124	332220	3.1163	333621	8.023	335130	3.209
326925	14.000	329966	3.119	332220	3.143	333622	8.023	335132	5.1610
327225	30.319	330095	3.253	332226	3.1162	333629	3.206	335133	5.1610
327266	30.3150	330096	3.255	332241	3.131	333646	8.002	335134	5.1609
327317	30.895	330109	12.002	332242	3.130	333656	5.0604	335135	5.1609
327328	30.100	330142	3.264	333005	5.0100	333666	4.0005	335141	3.260
327381	31.054	330202	3.104	333018	3.327	333667	4.0005	335164	16.007
327512	9.4005	330221	11.0045	333025	8.018	333668	4.0006	335171	5.1927
327517	18.016	330293	3.129	333026	8.018	333688	1.605	335188	4.0005
327602	18.005	330307	3.129	333038	14.002	333694	3.402	335189	4.0006
327603	18.007	330308	3.1395	333074	14.009	333697	5.0607	335192	9.106
327606	18.0107	330336	3.138	333076	8.018	333715	9.001	335193	5.1912
327613	18.041	330344	0.0073	333077	8.018	333722	3.404	335224	3.141
327638	9.201	330344	3.306	333078	15.320	333723	4.2200	335225	3.140

NUMERICAL INDEX (Cont'd)

PART NO.	INDEX NO.	PART NO.	INDEX NO.	PART NO.	INDEX NO.	PART NO.	INDEX NO.	PART NO.	INDEX NO.
335227	3.300	335751	3.317	338152	3.405	338524	3.4351	339432	31.471
335227	17.001	335759	7.001	338158	4.1330	338555	3.309	339435	31.4745
335227	17.003	335831	5.0203	338163	12.034	338559	3.300	339437	31.4745
335227	30.915	335852	9.019	338164	12.034	338560	3.300	339528	4.13025
335229	3.264	335853	4.14025	338165	12.034	338576	13.118	339774	15.4085
335261	6.005	335855	30.6480	338166	14.000	338580	9.015	339774	15.409
335262	3.101	335866	3.301	338193	13.000	338597	4.1010	340063	2.0096
335269	3.103	335885	3.331	338194	13.000	338598	4.1010	340110	12.029
335270	6.005	335888	9.006	338205	3.405	338599	4.1015	341023	3.319
335273	3.100	335890	15.329	338216	3.007	338600	4.1015	341055	1.302
335275	1.0005	335891	15.329	338231	3.015	338602	4.1005	341056	1.302
335286	18.013	335893	9.006	338232	3.009	338603	4.1005	341061	13.023
335288	18.013	335894	4.2201	338234	3.013	338604	4.1006	341098	1.025
335290	3.135	335897	1.022	338254	1.1086	338631	5.0201	341119	5.0503
335293	18.013	335905	9.005	338259	1.405	338639	15.313	341125	5.0805
335295	18.013	335917	3.109	338262	3.109	338645	3.436	341130	5.1800
335297	3.144	335918	3.115	338264	18.028	338651	4.2228	341137	5.0931
335338	3.142	335919	3.1162	338267	9.1015	338656	18.0135	341156	2.016
335344	3.147	335927	1.304	338270	1.304	338659	18.0135	341156	30.6580
335346	3.203	335927	3.114	338273	15.511	338662	3.3031	341166	13.023
335347	15.329	335928	1.304	338274	15.511	338665	3.304	341169	4.0701
335348	3.146	335928	3.114	338275	15.511	338687	5.0700	341193	15.515
335355	3.148	335944	3.109	338276	15.511	338691	4.0002	341223	4.0705
335356	3.115	335984	9.1165	338318	3.210	338693	12.029	341227	4.1105
335357	3.128	337017	30.320	338323	9.0131	338700	19.000	341228	16.011
335380	15.333	337017	30.451	338354	18.006	338730	3.430	341310	5.1712
335386	4.0003	337017	31.174	338355	18.034	338735	4.0001	341311	5.1711
335387	4.0003	337033	31.406	338356	18.035	338736	3.300	341331	5.0101
335408	9.1165	337034	31.391	338362	18.0335	338752	5.0930	341332	5.0101
335409	4.2200	337036	31.392	338370	1.412	338752	9.0204	341333	5.0101
335438	3.406	337058	31.397	338371	1.412	338752	9.131	341334	5.0101
335439	13.118	337059	31.397	338401	9.016	338752	9.138	341335	5.0101
335440	1.4155	337111	30.629	338405	3.3045	338753	3.162	341336	5.0101
335477	4.1328	337111	30.666	338405	3.306	338753	5.0930	341337	5.0101
335504	1.406	337112	30.629	338405	3.332	338753	9.0147	341350	5.0200
335509	3.330	337113	30.622	338405	9.0035	338753	9.0204	341364	5.0504
335510	3.330	337114	30.622	338405	9.1205	338753	9.1140	341367	5.0201
335511	3.330	337115	30.623	338405	9.142	338753	9.131	341369	5.1702
335512	3.333	337122	30.326	338405	50.200	338753	9.138	341404	5.1800
335513	3.333	337123	30.326	338406	3.3085	338798	3.454	341409	8.038
335514	3.333	337124	30.450	338407	3.406	338811	19.000	341469	5.0403
335515	3.128	337125	30.327	338410	1.412	338812	11.0045	341470	5.0403
335529	9.0035	337127	30.032	338448	3.4295	338817	5.0700	341471	5.0403
335537	15.409	337252	30.327	338449	3.440	338826	3.4186	341477	5.0600
335542	9.1165	337252	30.450	338451	3.478	338830	15.512	341497	4.0701
335543	9.014	337253	30.327	338453	3.459	338831	8.002	341498	5.1603
335575	9.002	337312	31.4745	338456	3.458	338833	15.100	341499	5.1604
335580	1.416	337369	30.312	338457	3.437	338835	15.106	341511	4.0701
335589	1.414	337427	30.871	338458	3.433	338855	3.435	341512	4.0701
335597	1.405	337451	30.101	338459	3.433	338897	14.000	341523	5.1202
335603	3.332	337452	30.101	338460	3.433	338909	12.018	341542	5.0806
335604	3.331	337453	30.101	338461	3.433	338916	12.021	341547	5.1926
335645	3.346	337482	30.894	338465	3.466	338934	3.251	341548	0.011
335646	3.332	337483	30.894	338471	3.460	338985	13.000	341548	7.0075
335652	5.1508	337555	4.2332	338472	3.432	339018	31.4745	341548	11.1005
335654	3.252	337569	3.300	338473	3.432	339140	31.498	341548	11.2002
335656	3.119	337638	30.328	338474	3.432	339158	31.486	341548	11.300
335657	3.347	337638	30.452	338475	3.432	339167	31.4915	341548	11.305
335660	3.331	337639	30.033	338480	3.465	339233	31.471	341551	5.1207
335663	3.2063	337647	30.624	338481	3.465	339253	31.4745	341555	5.1208
335665	3.3031	337656	4.1600	338482	3.465	339261	31.492	341557	7.0075
335666	3.306	337743	30.024	338483	3.453	339263	31.465	341557	11.1005
335671	1.0005	337768	30.315	338484	3.457	339294	31.471	341557	11.108
335681	3.331	337871	30.352	338485	3.439	339381	31.465	341557	11.2002
335682	5.1503	337871	30.479	338487	3.438	339386	31.465	341557	11.220
335688	3.121	337945	30.352	338488	3.484	339387	31.471	341557	11.300
335692	14.000	337946	30.418	338491	3.434	339390	31.476	341557	11.303
335697	3.306	337998	30.100	338492	3.451	339391	31.481	341557	11.305
335698	5.1507	338023	15.302	338494	3.446	339392	31.498	341573	5.1214
335699	5.1507	338043	3.3341	338495	3.428	339406	31.465	341575	5.0105
335705	5.1508	338054	1.0005	338496	3.430	339410	31.474	341579	5.1201
335709	3.332	338065	13.023	338502	3.4352	339411	31.497	341580	5.1212
335715	15.329	338085	15.302	338511	3.464	339426	31.4300	341581	5.1210
335722	3.306	338087	15.302	338514	3.456	339428	31.4917	341587	5.0807
335724	9.0035	338117	15.409	338521	3.4185	339429	31.474	341588	5.0807
335750	3.306	338151	3.405	338522	3.4185	339430	31.474	341591	5.0800

NUMERICAL INDEX (Cont'd)

PART NO.	INDEX NO.	PART NO.	INDEX NO.	PART NO.	INDEX NO.	PART NO.	INDEX NO.	PART NO.	INDEX NO.
341592	9.1015	341973	8.002	346035	31.465	347669	3.331	348549	5.0805
341593	9.113	341974	8.002	346124	31.465	347670	3.303	348552	19.003
341594	5.0111	341975	8.043	346199	31.465	347704	3.235	348565	5.1800
341597	5.1203	341981	1.200	347046	12.0015	347708	3.331	348566	9.114
341601	5.1302	341982	1.200	347051	12.011	347709	3.332	348573	8.0245
341611	5.0801	342082	30.814	347052	12.0315	347716	3.462	348607	5.1710
341612	5.0801	342083	30.815	347086	1.501	347733	3.473	348608	5.1710
341629	9.106	342122	31.254	347087	1.501	347745	3.473	348609	5.1710
341644	5.1701	342123	31.254	347126	14.105	347746	3.421	348627	5.0203
341645	5.1701	342134	30.944	347131	1.605	347765	3.420	348628	31.182
341650	5.1200	342135	30.944	347132	1.605	347799	12.005	348629	31.183
341651	5.1203	342137	30.945	347195	8.0315	347800	12.004	348630	5.0402
341661	5.11015	342145	30.022	347196	8.0315	347824	12.005	348631	5.0402
341662	5.11015	342165	4.167	347391	12.0015	347830	12.004	348632	5.0402
341663	5.0802	342165	30.6118	347393	12.0015	347838	3.470	348633	5.0402
341665	5.0601	342165	30.626	347412	14.117	347840	3.471	348634	5.0402
341669	8.014	342207	30.332	347414	14.119	347841	3.473	348635	5.0402
341680	18.013	342207	30.457	347423	13.002	347877	3.472	348636	5.0402
341688	5.1303	342226	30.0006	347427	14.110	347975	3.469	348637	5.0402
341689	5.0604	342227	30.0006	347429	13.017	347976	3.468	348638	31.184
341691	11.013	342256	30.806	347431	14.1051	348014	5.0110	348640	15.404
341695	8.023	342257	30.807	347432	13.007	348020	1.1231	348642	12.000
341696	8.023	342260	30.440	347433	13.007	348021	1.1231	348643	12.0105
341700	3.012	342278	30.032	347444	13.0165	348023	1.500	348644	12.0105
341708	18.026	342293	30.871	347462	13.001	348024	1.501	348645	12.0295
341718	5.0603	342296	30.858	347488	4.2229	348025	1.501	348663	30.650
341719	5.0603	342331	8.039	347490	4.2228	348048	15.505	348664	30.651
341722	5.10095	342483	30.398	347492	4.2230	348078	12.001	348665	8.024
341723	5.10097	342486	31.486	347493	4.2216	348079	12.001	348666	8.024
341726	5.1010	342487	31.254	347496	4.2200	348083	15.5055	348667	8.003
341730	5.0503	342521	30.667	347500	3.443	348086	15.5084	348709	3.310
341731	5.0503	342536	30.319	347500	4.0553	348090	6.002	348739	15.200
341764	5.1009	342537	30.449	347532	3.445	348092	9.200	348745	15.207
341769	3.108	342538	30.319	347532	4.0555	348098	3.315	348762	11.3033
341770	19.000	342554	30.331	347535	10.127	348109	6.002	348790	11.3033
341773	1.300	342555	30.311	347536	3.257	348110	6.103	348792	4.10025
341792	12.011	342558	30.456	347537	3.257	348124	6.008	348823	5.0304
341801	4.0701	342559	30.456	347537	3.486	348135	6.001	348828	5.0509
341805	3.148	342562	30.3307	347538	3.257	348136	6.001	348832	11.3033
341809	1.123	342562	30.454	347538	3.486	348143	5.1601	348833	13.119
341817	3.148	342568	31.240	347539	10.1285	348155	15.516	348843	9.114
341821	14.008	342572	31.240	347549	10.129	348172	15.516	348845	11.3033
341871	5.1701	342573	31.240	347550	3.417	348176	30.635	348875	5.1928
341873	5.1807	342841	30.3010	347551	3.417	348177	30.658	348883	5.0304
341884	2.000	342860	30.3570	347568	3.480	348178	30.657	348885	5.0304
341884	2.0005	342860	30.4810	347570	3.429	348185	8.0310	348898	30.649
341884	2.0015	342861	30.3570	347571	3.408	348186	8.0310	348899	30.649
341896	8.039	342861	30.4810	347572	3.447	348234	6.008	348901	30.642
341899	2.000	342861	31.2820	347573	3.448	348259	14.003	348908	1.604
341899	2.0005	342861	31.365	347574	3.448	348277	9.018	348911	1.601
341899	2.0015	342861	31.395	347575	3.448	348287	14.001	348915	9.008
341914	8.011	342861	31.396	347576	3.456	348288	5.1805	348916	0.0175
341915	8.011	342896	30.329	347577	3.446	348305	9.001	348919	5.0508
341917	8.010	342900	30.326	347579	3.437	348307	5.0916	348922	5.0304
341918	4.0622	342901	30.450	347580	3.438	348315	5.0401	348924	5.0304
341926	8.013	342902	30.326	347589	3.436	348316	5.0401	348926	6.001
341927	8.023	342904	30.327	347590	3.435	348317	5.0401	348928	6.100
341928	8.023	342905	30.450	347606	3.420	348318	5.0401	348932	5.15001
341930	8.039	342905	30.327	347607	3.427	348319	5.0401	348936	15.103
341937	8.003	342905	30.450	347608	3.426	348320	5.0401	348937	15.103
341938	8.005	342921	30.034	347609	3.411	348336	6.100	348938	5.1509
341941	8.033	342922	30.319	347627	5.0340	348349	15.515	348939	5.1501
341942	8.033	342923	30.319	347629	5.0304	348350	15.515	348940	5.1502
341944	5.1703	342929	30.709	347631	4.22091	348351	15.517	348941	5.1505
341945	5.1704	345717	5.14026	347638	3.418	348377	14.000	348945	5.1504
341948	8.014	348578	5.1400	347639	3.483	348391	8.044	348952	5.1404
341950	8.043	348579	5.1400	347642	4.2224	348392	8.044	348952	5.1400
341953	8.0231	348580	5.1400	347650	3.444	348449	6.101	348955	5.15001
341965	8.014	348581	5.1400	347650	4.0554	348465	9.1015	348991	3.0105
341966	8.014	348582	5.1400	347652	3.448	348466	4.1335	348992	3.0105
341967	8.001	348583	5.1400	347660	3.300	348486	5.0304	348993	3.0105
341968	8.001	348588	5.1400	347662	3.300	348495	10.0174	349000	30.942
341969	8.001	348589	5.1400	347663	3.306	348503	5.0920	349006	30.337
341970	8.002	348590	5.1400	347664	3.332	348526	5.0509	349022	30.331
341971	8.002	348591	5.1400	347665	3.306	348537	5.0507	349023	30.311
341972	8.002	348593	5.1400	347667	3.317	348540	8.0232	349042	30.410

NUMERICAL INDEX (Cont'd)

PART NO.	INDEX NO.	PART NO.	INDEX NO.	PART NO.	INDEX NO.	PART NO.	INDEX NO.	PART NO.	INDEX NO.
349043	30.410	349640	30.629	350581	31.4595	351330	11.2115	351778	5.1720
349054	30.410	349640	30.666	350582	31.4595	351331	11.2115	351779	5.1724
349054	30.413	349662	31.320	350583	31.4595	351332	11.213	351780	5.1718
349054	30.5527	349666	31.099	350616	31.4365	351333		351796	15.323
349055	31.316	349667	31.101	350620	31.4556	351335	11.212	351797	19.120
349055	30.410	349672	30.836	350621	31.4556	351336	11.212	351803	15.318
349055	30.5527	349674	30.836	350622	31.4556	351337	11.215	351804	15.318
349078	30.3010	349675	30.837	350623	31.4556	351338	11.213	351807	18.0135
349126	30.705	349676	30.846	350634	31.4393	351339	11.213	351808	18.0135
349128	30.328	349678	30.846	350635	31.4393	351343	13.017	351809	18.0135
349128	30.452	349680	30.844	350699	30.836	351357	30.312	351810	18.0135
349171	31.326	349681	30.843	350700	31.4595	351357	30.448	351825	5.0939
349174	30.914	349682	30.843	350701	31.4595	351358	30.312	351829	3.005
349175	30.914	349706	31.254	350702	31.4595	351358	30.448	351864	1.007
349194	31.316	349707	31.254	350703	31.4595	351362	4.1651	351865	1.008
349195	31.316	349710	31.316	350704	31.4595	351376	2.007	351866	1.008
349237	7.100	349711	31.316	350705	31.4595	351391	15.502	351867	1.001
349262	30.628	349712	31.315	350706	31.4595	351392	15.502	351868	1.001
349276	30.386	349722	30.412	350707	31.4595	351393	15.502	351869	1.001
349277	30.386	349723	30.411	350712	31.4365	351394	15.502	351978	4.2208
349285	31.176	349723	31.318	350739	31.465	351422	1.200	351984	31.180
349293	31.167	349733	30.858	351005	4.0008	351423	1.200	351985	31.178
349298	30.803	349760	31.1080	351020	5.0904	351472	4.2208	351991	1.108
349299	30.800	349760	31.107	351021	3.102	351479	1.4155	351992	1.108
349304	31.394	349782	31.098	351027	4.1109	351480	1.500	351999	6.006
349338	30.628	349872	31.2535	351045	4.1106	351481	1.501	352000	31.4745
349340	31.312	349877	30.022	351046	4.1106	351482	1.501	352096	31.485
349365	30.024	349888	31.094	351057	1.602	351509	5.1703	352097	31.485
349370	30.344	349888	31.4745	351058	1.602	351510	5.1704	352140	31.485
349394	30.3570	349894	30.8426	351060	5.0531	351518	4.1651	352141	31.485
349394	31.365	350359	31.471	351072	9.2001	351531	12.029	352147	31.4916
349398	30.371	350360	31.481	351074	9.2001	351536	5.0507	352349	31.485
349399	30.371	350361	31.497	351081	4.03001	351537	5.0508	352354	31.4745
349403	30.366	350374	31.474	351083	4.05765	351538	5.0503	352382	31.485
349422	10.03055	350374	31.474	351084	4.2321	351540	5.0506	352384	31.494
349425	30.404	350375	31.474	351085	13.007	351548	5.1919	352386	31.4815
349438	30.401	350377	31.474	351086	13.007	351549	5.1921	352440	31.474
349439	30.401	350378	31.474	351087	4.1652	351569	13.024	352441	31.474
349466	30.1004	350379	31.474	351090	5.1907	351575	13.024	352442	31.474
349467	30.1004	350382	31.474	351091	5.1909	351577	13.023	352443	31.474
349468	30.1004	350391	31.497	351093	5.0902	351587	3.300	352444	31.474
349470	30.1015	350395	31.480	351096	5.0939	351601	19.026	352445	31.474
349471	30.1015	350410	31.4609	351098	3.108	351603	19.039	352636	31.465
349480	30.4412	350411	31.4609	351106	5.1929	351650	1.412	352684	31.465
349481	30.4412	350415	31.471	351127	4.0703	351651	1.400	352693	31.471
349500	30.310	350416	31.471	351156	18.0135	351656	3.300	352694	31.471
349501	30.310	350417	31.465	351162	14.007	351658	3.300	352718	31.492
349504	30.354	350432	31.460	351163	14.007	351659	3.3036	352758	31.475
349505	30.354	350433	31.460	351166	4.07001	351661	3.3033	352759	31.471
349506	30.354	350434	31.460	351167	4.13069	351664	19.014	352762	31.471
349507	30.354	350435	31.460	351167	30.6805	351665	19.026	352842	31.4365
349508	30.380	350490	31.475	351170	13.115	351689	14.009	352886	31.4745
349509	30.380	350502	31.4595	351170	13.1214	351692	8.040	352887	31.468
349520	30.1015	350503	31.4595	351172	13.102	351693	8.040	352888	31.492
349521	30.1015	350504	31.486	351172	13.1165	351694	13.1001	352892	31.471
349529	30.708	350528	31.465	351172	13.1215	351695	13.114	352928	31.471
349580	31.032	350538	31.4465	351173	13.103	351695	13.1213	352935	31.481
349581	31.032	350544	31.468	351173	13.1166	351712	5.1726	352936	31.481
349587	31.113	350550	31.497	351173	13.1216	351713	5.1722	352948	31.4745
349587	31.114	350551	31.492	351174	13.104	351716	14.106	352956	31.430
349596	30.913	350560	31.471	351174	13.1167	351717	5.1715	352960	31.490
349597	30.913	350564	31.4390	351174	13.1217	351718	5.1711	352961	31.490
349600	30.344	350565	31.4390	351176	5.09345	351719	5.1711	352963	31.471
349601	30.344	350567	31.430	351209	1.400	351720	5.1711	352964	31.4556
349604	30.469	350568	31.430	351210	1.400	351729	19.039	352965	31.4615
349605	30.469	350570	31.4556	351211	1.400	351749	30.634	352965	31.4615
349612	30.311	350571	31.4556	351213	3.300	351749	31.173	352966	31.4365
349613	30.311	350572	31.4556	351254	5.0503	351750	5.1706	352967	31.4365
349614	30.447	350573	31.4615	351256	14.000	351751	5.0100	352968	31.4365
349615	30.447	350574	31.4615	351301	11.202	351752	31.179	352974	31.4365
349616	30.447	350575	31.4615	351302	11.202	351754	31.1741	352974	31.4390
349617	30.447	350576	31.4365	351303	11.202	351755	30.652	352975	31.4365
349628	31.102	350577	31.4615	351315	11.203	351757	31.181	352976	31.4365
349630	30.915	350578	31.4595	351317	11.203	351759	19.106	352977	31.4365
349631	30.915	350579	31.4595	351318	11.204	351760	19.106	352978	31.4365
349640	30.626	350580	31.4595	351320	11.204	351761	19.105	352979	31.4365

NUMERICAL INDEX (Cont'd)

PART NO.	INDEX NO.	PART NO.	INDEX NO.	PART NO.	INDEX NO.	PART NO.	INDEX NO.	PART NO.	INDEX NO.
352982	31.4615	354196	3.009	354811	11.3033	356339	8.000	356754	7.204
352984	31.4615	354205	9.005	354812	11.302	356366	8.046	356755	7.204
352993	31.4609	354205	9.018	354813	11.302	356367	2.0113	356756	7.204
353149	30.419	354230	9.007	354814	11.302	356379	7.005	356757	7.204
353149	31.330	354235	31.177	354815	11.302	356431	0.0286	356758	9.109
353172	31.2535	354262	4.0305	354816	11.302	356439	0.0336	356761	11.306
353173	31.2535	354263	4.0305	354817	11.302	356439	7.0215	356763	0.0345
353179	31.2535	354267	12.031	354818	11.302	356442	15.3076	356765	4.1029
353192	31.173	354292	8.019	354819	11.302	356474	0.0115	356766	4.1034
353193	31.175	354297	8.019	354820	4.2223	356475	0.0115	356766	4.10397
353194	30.3845	354310	3.210	354873	3.1162	356479	5.1916	356768	4.10394
353194	30.406	354310	5.1100	354875	13.023	356481	7.207	356769	4.10395
353194	30.5005	354343	5.0101	354880	13.023	356482	7.207	356772	0.0346
353194	30.552	354346	5.0101	354914	4.13002	356483	7.207	356773	0.0345
353194	30.859	354347	5.0101	354951	8.003	356487	0.0175	356794	7.200
353194	30.8752	354348	5.0101	354954	3.403	356492	7.207	356795	7.200
353194	31.309	354349	5.0101	354974	14.119	356493	7.207	356796	7.200
353197	31.013	354350	5.0101	354975	14.117	356504	7.207	356797	7.200
353232	30.409	354354	5.0101	354976	3.257	356517	6.001	356798	7.200
353263	30.0230	354406	14.109	354976	3.486	356558	0.0175	356799	7.200
353264	30.0231	354409	12.033	354977	15.206	356570	6.001	356800	7.200
353265	30.0231	354410	12.033	354993	8.0245	356577	4.0105	356801	7.200
353266	30.0232	354411	12.033	354994	8.0245	356581	6.001	356802	7.200
353267	30.0233	354414	12.031	354999	14.105	356590	8.028	356803	7.200
353269	30.0234	354415	12.031	355020	3.418	356591	8.028	356804	4.1039
353271	30.024	354427	5.0701	355029	3.466	356592	8.028	356806	4.1026
353279	30.0231	354428	5.0701	355030	3.428	356595	15.333	356807	8.0315
353284	31.016	354434	5.1220	355034	3.4456	356598	0.0287	356808	8.0315
353285	30.849	354440	1.022	355047	14.114	356603	5.0604	356809	4.1025
353285	30.8665	354443	6.1003	355048	3.469	356606	31.173	356810	4.1024
353342	31.086	354451	6.104	355068	15.406	356615	0.0347	356822	2.0116
353362	4.21088	354504	12.0341	355069	15.406	356619	0.03475	356824	2.0119
353383	31.094	354505	12.0341	355185	3.469	356620	0.0347	356825	2.0119
353507	31.456	354506	4.14015	355752	18.013	356621	0.0347	356826	4.10384
353534	31.240	354506	4.16055	355785	18.013	356622	7.207	356829	2.0113
353535	31.240	354511	4.14016	355812	3.236	356640	7.200	356831	4.10385
353642	31.252	354511	4.1608	355812	3.488	356641	7.200	356832	2.000
353645	31.252	354515	15.515	356079	8.017	356642	7.200	356833	2.005
353648	31.187	354552	30.408	356098	30.8365	356643	7.200	356834	2.001
353649	31.187	354553	30.408	356167	8.024	356644	7.200	356836	2.0050
353691	31.250	354554	30.433	356168	8.024	356645	7.200	356840	2.0095
353707	31.366	354555	30.433	356169	8.024	356657	3.313	356843	2.012
353767	31.365	354602	3.129	356170	8.024	356660	7.207	356844	2.012
353821	30.014	354603	3.129	356171	8.024	356670	0.008	356847	2.013
353822	31.358	354604	3.133	356172	8.024	356671	0.008	356848	2.013
353823	31.358	354604	3.1385	356173	8.0315	356672	0.008	356849	2.013
353839	30.871	354608	3.1335	356174	8.0315	356673	0.008	356851	2.013
354022	5.0515	354611	3.138	356193	8.000	356674	0.008	356852	2.002
354024	5.0518	354616	5.0609	356194	8.000	356675	0.008	356859	0.0276
354027	19.122	354620	3.138	356195	0.0282	356687	0.016	356860	14.1170
354030	19.116	354620	3.1395	356196	0.0282	356688	0.016	356873	0.0285
354031	19.115	354620	7.210	356233	0.0283	356689	0.016	356880	4.1038
354033	19.1195	354687	3.442	356234	0.0283	356690	0.016	356881	8.016
354034	19.038	354687	4.0551	356235	8.046	356691	0.016	356882	4.1031
354062	19.1193	354690	14.000	356252	8.046	356692	0.016	356883	0.0276
354063	1.400	354691	14.000	356260	13.120	356693	0.016	356886	4.1029
354065	3.3037	354696	30.6001	356267	8.028	356694	0.016	356887	0.0284
354067	3.3034	354696	30.6090	356268	8.028	356702	0.028	356896	4.10396
354068	3.3035	354697	1.121	356269	8.028	356703	0.028	356905	4.1038
354069	3.3031	354700	1.120	358273	0.016	356704	8.000	356913	11.0045
354070	1.001	354701	1.121	356276	8.046	356705	8.000	356918	4.14095
354080	3.3003	354702	1.118	356279	12.023	356710	15.507	356919	4.13001
354081	3.3032	354702	1.121	356280	12.023	356710	15.509	356922	7.0015
354084	3.010	354706	5.0903	356282	12.023	356713	15.507	356923	7.0015
354119	10.127	354707	5.0903	356283	8.028	356714	15.508	356930	4.1037
354130	1.0005	354710	14.000	356284	8.028	356715	15.506	356935	3.005
354131	1.001	354716	5.14025	356285	8.028	356741	0.028	356938	4.1300
354132	1.0005	354718	5.14026	356302	8.000	356742	0.028	356940	11.108
354145	4.1303	354719	5.14026	356303	8.000	356745	7.204	356941	11.108
354146	4.1304	354720	5.14026	356306	8.046	356747	7.204	356944	11.0045
354150	4.13026	354721	5.14025	356310	8.028	356748	7.204	356945	7.215
354151	5.1926	354755	5.1101	356311	8.028	356749	7.204	356946	7.215
354179	15.307	354756	5.1101	356312	8.028	356750	7.204	356947	7.215
354183	9.1165	354757	5.1101	356316	7.011	356751	7.204	356956	7.0106
354184	5.1220	354799	14.110	356337	12.023	356752	7.204	356957	7.0105
354195	3.005	354810	11.3033	356338	8.000	356753	7.204	356959	9.3005

NUMERICAL INDEX (Cont'd)

PART NO.	INDEX NO.	PART NO.	INDEX NO.	PART NO.	INDEX NO.	PART NO.	INDEX NO.	PART NO.	INDEX NO.
356975	4.1406	357503	31.244	357885	7.106	358262	7.015	358798	3.137
356978	4.1021	357516	31.243	357888	30.509	358263	7.015	358809	15.501
356980	7.210	357517	31.244	357894	31.190	358266	7.011	358810	15.501
356981	7.210	357520	31.245	358001	4.1409	358267	7.011	358822	2.0045
356982	7.210	357521	31.246	358002	11.0122	358268	3.325	358823	2.0050
356983	7.210	357522	31.245	358006	11.0111	358270	3.009	358824	2.006
356984	7.210	357523	31.246	358012	11.303	358274	0.016	358826	11.2001
356985	7.210	357528	31.245	358014	11.300	358284	4.0600	358840	10.0635
356986	7.210	357529	31.246	358016	9.300	358310	7.011	358843	10.0635
356987	7.210	357530	31.245	358017	9.300	358311	7.011	358847	10.0635
356990	4.1022	357531	31.246	358018	4.14065	358320	3.317	358850	10.0635
357010	30.030	357532	31.245	358019	5.0600	358322	4.0600	358851	10.0154
357011	30.030	357533	31.246	358020	5.0600	358324	4.14097	358856	10.0174
357012	30.030	357562	30.352	358026	5.0603	358342	7.0135	358858	10.0174
357013	30.030	357563	30.352	358029	4.13175	358343	7.0135	358860	10.0175
357018	30.356	357567	30.396	358058	15.322	358346	7.0135	358861	10.0175
357019	30.357	357572	30.479	358068	11.220	358347	7.0135	358881	10.0425
357041	31.396	357578	30.396	358068	11.305	358350	7.0135	358881	10.0645
357150	31.353	357579	30.396	358078	4.1312	358351	7.0135	358887	10.0546
357158	30.000	357582	30.396	358100	4.1407	358381	5.17015	358890	10.0546
357159	30.000	357582	30.509	358102	4.14096	358382	5.17015	358894	10.012
357162	30.356	357584	30.352	358105	5.1700	358383	5.17015	358896	10.0155
357196	31.345	357585	30.352	358109	11.0045	358411	1.105	358899	4.12055
357197	31.345	357589	30.509	358110	11.0045	358426	1.119	358899	30.5034
357198	31.345	357596	31.308	358112	30.636	358427	1.118	358900	10.0546
357199	31.345	357601	30.3845	358114	30.634	358429	4.01043	358909	10.0546
357214	30.883	357601	30.5005	358115	4.1400	358442	4.1200	356917	5.0600
357220	30.885	357601	31.2875	358121	4.1300	358445	4.1509	358918	4.1200
357326	31.327	357602	31.353	358122	4.1300	358458	4.0563	358921	10.0614
357344	30.806	357603	31.308	358127	4.1401	358458	4.1509	358922	10.0614
357345	30.807	357604	30.404	358129	2.001	358458	4.16505	358923	10.0614
357346	30.806	357605	30.404	358136	4.14027	358461	4.01016	358924	10.0614
357347	30.807	357606	30.366	358142	7.011	358465	19.006	358925	4.0102
357352	30.806	357607	30.366	358145	4.1303	358466	19.006	358958	4.01015
357353	30.807	357614	30.489	358150	11.0045	358475	4.01046	358960	5.1552
357358	30.808	357615	30.489	358153	4.13067	358492	14.110	358963	5.1555
357359	30.809	357616	30.489	358156	10.125	358493	7.212	358998	8.0065
357362	30.808	357624	30.500	358157	10.1250	358495	4.01017	358999	8.0065
357362	30.809	357625	30.500	358158	10.1251	358499	9.1034	359000	30.449
357366	30.808	357632	30.386	358159	30.635	358511	9.1034	359001	30.449
357367	30.809	357633	30.386	358161	4.13065	358520	9.1036	359002	30.449
357368	30.808	357638	30.502	358162	13.1001	358523	10.0105	359003	30.449
357369	30.809	357639	30.502	358163	13.1001	358576	10.004	359004	31.3110
357400	31.187	357725	31.366	358164	4.1304	358585	3.314	359005	31.3110
357401	31.187	357738	30.340	358169	5.1102	358599	19.006	359006	31.320
357413	31.365	357738	30.465	358170	14.002	358600	19.006	359007	31.326
357422	7.100	357739	30.340	358173	1.602	358623	4.0003	359010	31.324
357432	7.1025	357739	30.465	358174	1.602	358624	4.0003	359010	30.415
357433	7.1026	357763	31.358	358175	1.602	358626	10.0106	359010	30.553
357434	7.101	357771	31.112	358176	1.604	358633	7.0135	359011	31.3252
357438	31.158	357772	31.112	358177	1.604	358633	11.0045	359011	30.413
357442	30.395	357775	31.113	358178	1.604	358633	11.0105	359012	31.320
357443	30.395	357777	31.111	358180	5.0504	358633	11.108	359013	7.1035
357446	31.286	357781	30.434	358184	5.1708	358641	10.088	359014	30.418
357447	31.286	357792	31.355	358188	5.1707	358660	5.1706	359015	30.418
357448	31.286	357793	31.391	358189	15.321	358669	0.0156	359022	31.329
357449	31.286	357794	30.433	358190	5.1700	358671	8.001	359023	31.329
357450	30.508	357795	30.433	358192	2.006	358672	8.001	359034	31.310
357451	30.508	357796	30.433	358196	5.1700	358673	8.017	359035	31.314
357452	30.508	357797	30.433	358208	2.006	358675	10.087	359037	31.334
357453	30.508	357830	30.200	358209	2.006	358681	10.001	359038	31.190
357454	30.508	357831	30.200	358215	2.0050	358695	10.087	359039	31.190
357455	30.508	357836	30.301	358224	5.1700	358696	4.15056	359040	30.825
357460	7.1035	357837	30.301	358228	7.009	358706	4.1505	359048	31.164
357461	7.1035	357842	31.2745	358229	7.009	358707	4.15025	359053	30.506
357462	30.446	357846	31.2745	358233	9.400	358712	2.0095	359053	30.87645
357463	30.446	357854	30.398	358234	9.400	358761	11.207	359057	30.900
357464	30.446	357854	30.510	358235	9.400	358764	5.0909	359060	30.413
357465	30.446	357855	30.398	358236	9.400	358788	15.3221	359061	30.413
357466	31.397	357855	30.510	358237	9.400	358789	15.3221	359093	30.034
357467	31.397	357856	30.510	358238	9.400	358790	15.3223	359095	30.034
357492	7.103	357857	30.510	358239	9.400	358791	15.3222	359096	30.413
357493	7.103	357860	30.452	358245	4.1301	358792	5.0939	359097	30.413
357500	31.243	357861	30.452	358256	15.329	358793	5.0939	359098	30.413
357501	31.244	357867	30.463	358258	7.011	358794	5.0939	359099	30.413
357502	31.243	357869	30.825	358259	7.011	358797	4.133765	359110	30.431

NUMERICAL INDEX (Cont'd)

PART NO.	INDEX NO.	PART NO.	INDEX NO.	PART NO.	INDEX NO.	PART NO.	INDEX NO.	PART NO.	INDEX NO.
359111	30.431	359544	30.908	359751	31.195	359989	30.009	362068	15.3295
359115	31.111	359546	30.908	359752	31.1964	360300	3.262	362075	15.3296
359116	31.115	359547	30.900	359772	31.3905	360313	3.249	362083	4.1509
359117	31.112	359550	30.408	359775	30.034	360324	3.262	362084	4.0562
359127	10.000	359551	30.408	359776	30.034	360326	3.223	362085	5.1900
359129	31.1967	359552	30.408	359779	10.03055	360327	3.260	362086	1.600
359220	30.833	359553	30.408	359780	10.032	360331	3.222	362087	1.601
359222	30.833	359554	31.311	359781	31.1955	360346	3.329	362089	19.002
359236	30.388	359555	31.311	359782	31.3455	360439	3.328	362090	11.001
359245	10.021	359556	30.600	359783	31.3455	360357	3.300	362091	5.1100
359247	31.234	359562	30.600	359784	31.348	360358	3.300	362105	4.2325
359249	31.234	359591	30.201	359785	31.348	360359	3.306	362113	4.2333
359251	31.230	359592	30.480	359786	31.3455	360360	3.306	362116	0.007
359253	31.226	359593	30.481	359787	31.3455	360362	3.306	362118	0.007
359254	31.237	359594	30.480	359788	30.933	360363	3.306	362119	4.11075
359255	31.237	359595	30.481	359803	30.933	360364	3.300	362120	15.411
359256	31.2304	359596	30.480	359810	10.0264	360365	3.300	362121	15.411
359257	31.225	359597	30.481	359811	10.0267	360370	3.332	362122	15.411
359266	30.416	359600	30.356	359812	10.0265	360372	3.330	362124	15.411
359267	30.416	359601	30.357	359813	10.0266	360373	3.300	362125	15.411
359284	30.433	359610	30.703	359814	10.023	360374	3.331	362126	15.411
359286	30.4161	359611	30.7015	359815	30.614	360377	3.331	362127	15.411
359287	30.4161	359613	30.7021	359816	30.616	360381	3.306	362128	15.411
359288	30.425	359614	30.7022	359817	30.612	360386	3.3045	362129	15.411
359289	30.425	359618	30.709	359818	30.613	360387	3.306	362130	15.411
359294	10.021	359619	30.709	359825	30.009	360390	3.332	362131	15.411
359312	7.1027	359622	30.342	359834	31.107	360395	12.018	362134	15.411
359313	7.1027	359622	30.467	359835	31.107	360397	12.019	362136	15.411
359371	30.940	359624	30.5081	359839	30.013	360399	12.004	362137	15.411
359384	31.106	359624	31.2865	359844	31.195	360401	12.035	362138	15.411
359385	31.106	359625	7.1026	359845	31.1964	360403	12.036	362140	0.0086
359417	30.418	359626	31.281	359855	10.000	360405	12.020	362146	2.0050
359423	30.334	359627	31.282	359858	30.001	360415	3.250	362148	2.0050
359423	30.390	359628	31.281	359862	10.022	360417	3.328	362156	2.0005
359423	31.100	359629	31.282	359863	10.022	360419	3.329	362157	2.000
359424	30.334	359648	30.401	359872	10.022	360425	3.328	362163	4.1600
359424	30.390	359649	30.401	359873	10.022	360426	3.329	362164	4.1600
359424	30.459	359652	30.3570	359877	10.022	360427	3.251	362164	4.1600
359424	30.5055	359652	30.4810	359882	10.0445	360430	3.224	362165	4.1600
359424	30.8764	359653	30.3570	359886	10.0445	360432	3.3296	362166	4.1600
359424	31.100	359653	30.4810	359887	10.0445	360432	3.3465	362172	2.008
359425	30.388	359654	30.3570	359888	10.0445	360432	3.348	362175	2.012
359425	30.504	359655	31.104	359889	10.0445	360432	3.348	362176	2.012
359425	30.8763	359656	30.438	359890	30.013	360436	3.240	362177	2.001
359444	30.855	359658	31.098	359891	30.013	360448	3.203	362178	2.001
359455	30.622	359659	31.098	359899	30.7045	360449	3.4015	362192	11.202
359456	30.623	359662	30.381	359899	30.605	360463	3.262	362193	11.202
359457	30.625	359663	30.381	359894	30.604	361671	4.1602	362194	11.202
359464	30.509	359666	31.305	359895	10.028	361756	30.0255	362195	11.202
359465	30.509	359667	31.306	359899	4.0200	361929	31.4745	362196	11.202
359468	30.396	359668	31.305	359900	4.0200	361936	31.492	362197	11.202
359469	30.396	359669	31.306	359901	4.0200	361943	31.476	362204	11.203
359478	30.407	359670	30.382	359906	30.706	361946	31.466	362205	11.203
359479	30.407	359671	30.383	359914	31.1965	361947	31.475	362206	11.204
359482	30.509	359673	30.855	359915	31.1966	362010	5.0408	362207	11.204
359483	30.509	359675	31.114	359916	31.195	362011	4.13051	362210	15.306
359492	30.037	359680	7.1088	359919	31.197	362012	4.13051	362211	11.209
359493	30.037	359681	7.1088	359921	4.02025	362013	5.0403	362212	11.209
359495	30.310	359682	7.1088	359942	30.7016	362018	11.0105	362214	11.208
359498	30.407	359683	7.1088	359951	31.197	362019	11.0105	362215	11.2115
359499	30.407	359684	7.1083	359956	31.009	362022	11.0105	362216	11.2163
359503	30.946	359685	7.1083	359957	31.012	362023	11.0105	362217	11.2163
359505	30.941	359686	7.1085	359958	31.012	362025	8.033	362218	11.2165
359508	30.941	359724	31.000	359959	31.012	362026	8.033	362219	11.2166
359509	30.941	359726	31.094	359961	31.038	362027	5.1922	362221	11.2195
359510	30.941	359730	31.116	359967	31.015	362028	5.1930	362231	2.000
359516	30.941	359732	31.116	359968	31.015	362031	11.108	362232	2.0095
359518	30.940	359733	31.116	359970	31.085	362034	5.0400	362233	15.303
359520	30.908	359736	30.434	359971	31.085	362037	7.011	362247	11.0085
359521	30.908	359737	30.434	359972	31.0563	362038	13.002	362248	11.0085
359522	30.900	359737	30.434	359973	31.0563	362039	7.212	362254	2.0117
359522	30.900	359738	10.028	359974	31.0562	362041	2.012	362257	9.1015
359523	30.908	359739	10.036	359975	31.0562	362042	2.012	362259	15.3002
359528	30.908	359740	30.401	359978	31.085	362049	7.011	362272	4.1601
359532	30.908	359741	30.401	359979	31.085	362052	5.1900	362274	15.3076
359534	30.900	359742	30.401	359984	30.003	362059	8.000	362285	2.0095
359535	30.900	359743	30.401	359988	30.009	362060	8.000	362289	4.1205

NUMERICAL INDEX (Cont'd)

PART NO.	INDEX NO.	PART NO.	INDEX NO.	PART NO.	INDEX NO.	PART NO.	INDEX NO.	PART NO.	INDEX NO.
362293	4.0616	362605	7.211	362890	15.303	363216	7.100	363658	31.046
362301	1.1087	362607	7.015	362891	8.027	363221	31.0565	363659	31.046
362322	11.015	362608	4.1602	362892	8.027	363254	31.031	363661	31.1893
362326	13.024	362609	4.1602	362905	10.0105	363268	31.105	363675	31.1955
362327	15.3002	362610	4.1602	362907	10.004	363284	31.406	363690	30.5027
362328	15.3002	362611	4.1602	362909	10.001	363299	31.319	363691	30.5027
362333	4.1601	362620	4.1608	362913	10.088	363300	30.940	363694	30.8633
362334	4.1601	362620	30.643	362914	10.012	363301	30.940	363695	30.8633
362338	7.208	362631	8.001	362915	10.012	363306	30.940	363700	4.0200
362339	7.2085	362639	4.02105	362922	10.0635	363307	30.940	363702	4.0200
362345	4.02108	362640	3.116	362923	10.0635	363308	30.940	363703	31.016
362345	4.22038	362641	3.116	362924	10.0635	363309	30.940	363704	30.3874
362346	4.02107	362643	4.10384	362925	10.0635	363310	30.940	363704	30.5033
362346	4.22037	362644	3.129	362927	10.0635	363311	30.940	363705	30.6851
362347	10.1245	362651	3.127	362928	10.0635	363314	30.900	363706	30.382
362349	4.1601	362652	4.01025	362929	10.0635	363315	30.900	363707	30.383
362356	9.013	362653	3.128	362930	10.0635	363320	30.706	363708	30.500
362357	11.0115	362660	14.1015	362931	10.0425	363322	30.706	363709	30.500
362370	8.000	362661	14.1015	362931	10.0645	363330	30.334	363710	30.3865
362371	8.000	362662	14.1015	362932	10.0425	363330	30.390	363711	30.3865
362386	4.1602	362663	14.1015	362932	10.0645	363331	30.334	363712	30.3938
362387	4.1602	362664	14.1015	362933	10.0173	363331	30.390	363712	30.5077
362388	4.1602	362665	14.1015	362935	10.0173	363333	30.334	363713	30.3936
362389	4.1602	362666	13.0165	362956	10.012	363333	30.390	363713	30.5075
362390	4.1600	362667	13.017	362958	10.012	363334	10.0445	363714	30.822
362398	4.1602	362668	13.0165	362959	10.001	363335	10.0445	363715	30.5034
362399	4.1623	362669	13.017	362960	10.004	363338	10.0445	363716	30.818
362400	4.1602	362714	4.1038	362962	10.012	363339	10.0445	363719	30.861
362402	4.1622	362715	3.129	362963	10.0173	363340	10.022	363720	30.022
362403	4.1623	362716	3.128	362984	10.088	363341	10.022	363723	30.4205
362461	4.0557	362717	4.1022	362985	10.0105	363348	10.022	363724	30.4205
362461	4.22035	362718	4.1022	363002	31.039	363349	10.022	363767	30.626
362471	30.2015	362719	4.1022	363003	31.039	363354	10.0445	363772	31.305
362472	30.2015	362724	3.109	363004	31.050	363355	10.0445	363773	31.306
362473	4.21086	362730	7.015	363005	31.039	363358	10.022	363783	30.007
362488	19.000	362731	3.116	363006	31.0513	363359	10.022	363785	30.007
362500	5.0203	362732	3.116	363007	31.0513	363366	30.419	363786	30.011
362501	5.0203	362738	11.015	363008	31.0513	363370	30.334	363788	30.011
362502	5.0203	362739	11.015	363012	30.841	363370	30.390	363793	10.000
362503	5.0203	362742	7.021	363013	30.841	363370	31.100	363795	10.000
362505	5.0203	362743	7.021	363032	10.021	363372	30.388	363796	10.000
362506	5.0203	362744	7.021	363033	10.021	363380	30.388	363797	10.000
362507	5.0203	362745	7.021	363035	31.1955	363382	30.388	363799	10.000
362508	5.0203	362746	7.021	363043	31.0525	363399	30.9313	363801	10.000
362515	14.100	362758	4.1031	363070	30.004	363456	30.356	363802	10.000
362516	14.100	362766	4.03001	363071	30.004	363457	30.357	363803	10.000
362517	14.100	362792	15.3102	363075	31.395	363510	31.281	363821	30.662
362520	4.16025	362797	15.3101	363076	31.167	363511	31.282	363822	30.662
362521	4.1622	362808	15.3100	363077	7.1027	363531	31.365	363823	30.662
362522	4.16245	362810	15.3100	363082	30.003	363534	31.395	363828	30.011
362523	4.16246	362811	15.3100	363083	30.003	363537	31.396	363829	30.007
362524	4.1623	362812	15.3100	363086	30.841	363546	30.030	363830	31.394
362525	4.1625	362813	5.0903	363090	30.837	363547	30.030	363831	30.4205
362532	4.1625	362813	4.1328	363091	30.834	363562	10.022	363832	30.419
362533	4.16005	362814	15.303	363092	30.836	363563	10.022	363850	30.8704
362534	4.16006	362816	19.041	363101	30.6673	363594	30.50325	363851	30.393
362535	4.16005	362818	10.128	363114	30.434	363595	30.50325	363852	30.5072
362536	4.16005	362821	3.427	363115	30.434	363596	30.3873	363853	30.8704
362537	4.16006	362823	14.000	363121	30.1035	363597	30.3873	363864	30.818
362538	4.16006	362825	11.0113	363126	30.6131	363598	30.419	363865	30.818
362538	4.1606	362835	2.000	363127	30.319	363605	31.234	363870	30.386
362539	4.16005	362836	2.006	363128	30.319	363609	30.388	363870	30.502
362540	4.16005	362837	9.013	363129	30.319	363618	31.105	363872	30.820
362541	4.16006	362838	9.012	363133	31.244	363630	7.1027	363874	30.3935
362542	4.1629	362839	3.404	363138	30.8415	363631	7.1027	363874	30.5074
362545	4.22036	362849	5.1700	363139	7.0013	363636	30.872	363875	30.3876
362546	4.02106	362850	2.000	363139	7.100	363637	30.872	363876	30.863
362553	0.0085	362858	4.0703	363142	30.9274	363640	31.1893	363877	30.863
362562	4.1600	362861	4.07001	363143	30.9276	363641	31.1893	363878	30.3877
362563	4.1600	362862	4.1646	363144	30.927	363643	30.100	363878	30.5035
362565	4.1600	362863	5.0512	363145	30.927	363646	30.3873	363878	30.681
362570	4.1622	362865	7.019	363159	30.837	363647	30.3873	363879	30.3937
362571	4.1623	362866	4.1800	363207	31.031	363648	30.5025	363879	30.5076
362590	7.015	362869	5.0112	363212	31.054	363649	30.5025	363883	30.3872
362593	7.015	362875	4.1642	363214	30.9277	363651	30.819	363883	30.5032
362596	5.1552	362887	8.028	363215	30.9273	363656	30.8633	363883	30.8632

NUMERICAL INDEX (Cont'd)

PART NO.	INDEX NO.	PART NO.	INDEX NO.	PART NO.	INDEX NO.	PART NO.	INDEX NO.	PART NO.	INDEX NO.
363888	30.5026	364214	15.303	364497	4.1016	364678	9.200	364951	9.3005
363889	30.5026	364215	15.303	364510	3.325	364685	30.6571	364966	30.680
363890	30.822	364220	10.1245	364511	3.325	364686	30.6571	364967	30.680
363891	30.822	364238	7.207	364512	3.325	364687	30.6571	364968	30.689
363892	30.8706	364239	7.207	364513	3.325	364688	30.657	364969	30.680
363899	30.684	364240	7.207	364514	3.325	364689	9.2035	364970	30.680
363909	30.8706	364241	7.207	364515	3.325	364690	9.2035	364971	30.689
363910	30.8634	364242	7.207	364516	3.334	364693	9.400	364972	4.1010
363911	30.8634	364251	14.1025	364521	8.046	364694	9.400	364973	4.1010
363919	30.820	364256	0.0335	364522	3.3255	364696	30.6571	364974	4.1010
363920	30.8634	364257	0.0335	364522	3.3291	364702	30.657	364975	4.1005
363922	30.822	364269	11.0123	364524	3.325	364713	9.400	364976	4.1015
363923	30.822	364280	30.6811	364525	3.325	364713	30.820	364978	4.1011
363924	31.158	364286	7.207	364526	3.325	364714	30.6815	364979	3.4631
363926	30.818	364287	7.207	364530	30.680	364720	9.3055	364985	30.680
363927	30.818	364288	7.207	364548	4.13003	364724	2.0015	364986	3.463
363928	30.818	364289	7.207	364549	7.211	364724	7.207	364987	3.4631
363929	30.818	364290	7.213	364550	7.211	364725	13.001	364989	4.0305
363940	30.820	364291	7.213	364553	6.103	364731	30.6812	365120	30.8905
363947	31.158	364292	7.213	364554	6.103	364748	5.0920	365135	31.2283
363948	30.681	364293	7.213	364555	6.103	364755	0.0345	365333	30.8751
363949	30.393	364302	0.0281	364571	8.028	364756	8.046	365393	30.87598
363949	30.5072	364308	0.0334	364572	8.028	364782	3.441	365394	30.87595
363949	30.8704	364309	0.0334	364573	8.000	364807	19.000	365400	30.022
363956	31.012	364310	0.0334	364574	8.000	364808	19.000	365401	30.8522
363959	31.053	364311	0.0334	364575	8.000	364812	4.0603	365415	30.85235
363968	31.106	364319	7.207	364576	8.028	364813	4.0603	365417	30.8524
363975	30.8633	364319	7.214	364577	8.028	364814	4.0603	365429	31.1505
363986	30.0061	364320	7.214	364578	8.028	364815	4.0603	365468	30.489
363987	30.0061	364327	0.0334	364579	8.028	364816	4.0603	365513	30.6597
363991	31.009	364327	30.200	364580	8.030	364819	4.0614	365572	30.492
363992	31.015	364327	30.301	364581	8.030	364820	4.0614	365573	30.492
363998	31.056	364327	30.438	364582	8.030	364821	4.0614	365588	30.9185
364020	8.030	364327	31.2745	364583	8.030	364822	4.0614	365623	30.8905
364021	8.028	364336	0.030	364591	30.6882	364824	4.0614	365631	31.2304
364022	8.028	364336	0.0336	364595	30.6884	364826	4.0621	365991	31.492
364023	8.028	364337	5.0513	364604	6.1035	364827	4.0621	365992	31.492
364027	11.0112	364353	4.1513	364608	7.207	364833	10.0915	365998	31.4523
364028	11.0112	364354	4.1513	364610	18.013	364838	10.0915	366062	31.2745
364029	11.0112	364356	4.1513	364615	7.207	364852	30.6812	366063	31.2745
362030	5.1930	364383	4.01041	364616	7.200	364854	18.042	366069	31.2746
364030	11.0112	364386	4.01041	364617	7.200	364855	18.032	366070	31.2745
364031	4.15024	364384	4.01041	364618	14.100	364856	18.0135	366071	31.2745
364054	8.030	364391	5.1710	364620	13.000	364857	18.0135	366073	31.105
364055	8.030	364392	4.0105	364621	13.000	364858	18.0135	366078	30.680
364056	8.030	364396	4.0104	364624	13.000	364860	18.0135	366079	30.680
364057	8.030	364397	4.0104	364625	13.000	364861	18.0135	366081	30.680
364058	4.0558	364399	4.0104	364627	13.000	364862	18.0108	366082	30.680
364058	4.2203	364403	5.0513	364629	8.010	364864	8.046	366083	30.680
364059	4.0558	364408	4.01042	364630	13.001	364872	7.209	366084	30.680
364059	4.2203	364432	4.13376	364631	13.001	364874	7.209	366085	30.680
364064	15.309	364436	4.1001	364632	13.001	364875	7.209	366086	30.680
364081	0.0275	364438	10.0614	364633	13.001	364876	7.209	366087	30.680
364082	0.0275	364439	10.0614	364634	13.001	364877	18.0134	366092	30.030
364121	0.0275	364440	10.0614	364637	13.000	364881	9.302	366093	30.030
364121	30.3617	364441	10.0614	364638	13.000	364882	30.6814	366120	30.025
364121	30.4818	364442	10.0614	364639	9.2035	364886	30.6811	366121	30.025
364121	31.2857	364443	10.0614	364640	9.2035	364895	0.0276	366122	30.025
364140	30.683	364444	10.0614	364641	9.2035	364904	10.100	366134	7.100
364143	30.682	364445	10.0614	364642	9.2035	364905	10.100	366147	30.5101
364147	4.07001	364446	10.1245	364643	9.2036	364906	10.100	366163	30.0255
364153	16.4065	364447	10.1245	364647	13.001	364907	10.100	366166	30.025
364154	4.07025	364449	30.6812	364660	14.100	364908	10.100	366167	30.025
364158	15.309	364450	18.013	364663	14.100	364909	10.100	366172	30.0255
364167	15.3076	364451	18.013	364664	9.209	364910	10.100	366173	30.0255
364168	15.3076	364452	18.013	364666	18.0135	364927	3.4045	366179	4.02025
364169	15.309	364453	18.013	364667	18.0135	364928	3.4045	366194	10.000
364191	3.314	364454	18.013	364668	18.045	364930	3.4045	366195	10.000
364193	3.314	364455	18.013	364669	18.0465	364937	30.685	366198	30.913
364203	3.311	364471	3.3295	364670	18.044	364944	3.404	366199	30.913
364204	15.3002	364472	3.3295	364671	18.047	364945	3.404	366200	30.914
364205	15.3002	364477	16.0032	364672	18.046	364946	3.404	366201	30.680
364208	15.3002	364478	16.0032	364673	18.0055	364947	3.404	366202	30.680
364209	15.3002	364479	16.0032	364674	18.048	364948	3.404	366204	30.680
364212	15.3002	364480	16.0032	364675	18.0056	364949	3.404	366205	30.680
364213	15.3002	364491	4.03001	364676	18.0056	364950	9.300	366206	30.680

NUMERICAL INDEX (Cont'd)

PART NO.	INDEX NO.	PART NO.	INDEX NO.	PART NO.	INDEX NO.	PART NO.	INDEX NO.	PART NO.	INDEX NO.
366207	30.680	366495	30.601	367045	4.0202	367295	3.1492	367576	3.2061
366210	30.680	366496	30.600	367046	4.02051	367297	3.1496	367579	3.252
366213	30.680	366498	30.600	367047	4.02095	367299	2.0097	367580	1.400
366214	30.680	366501	30.600	367048	4.02095	367301	9.132	367582	1.412
366215	30.680	366502	30.600	367051	10.100	367303	9.0115	367590	3.401
366220	31.394	366504	30.628	367052	10.100	367303	9.0145	367593	4.1111
366221	31.394	366510	7.1088	367053	10.100	367303	9.0203	367606	10.100
366232	30.341	366511	7.1088	367054	10.100	367303	9.132	367607	10.100
366233	30.308	366513	30.6117	367055	10.100	367304	3.1497	367609	4.1200
366233	30.319	366516	30.601	367056	10.100	367305	3.1493	367619	9.0005
366233	30.449	366521	30.6119	367057	10.100	367309	3.140	367629	15.4095
366236	30.418	366521	30.629	367060	5.0405	367310	9.0115	367630	6.106
366237	30.418	366522	30.915	367084	4.07001	367310	4.0542	367634	5.0503
366240	30.823	366523	30.833	367085	4.0703	367312	9.0205	367636	5.0503
366241	30.026	366530	30.024	367086	3.478	367312	9.133	367637	9.0005
366250	31.0553	366535	31.116	367095	17.0125	367312	9.141	367638	3.306
366251	31.0553	366538	31.2745	367100	5.0900	367313	9.135	367639	3.305
366252	31.0556	366539	31.27461	367105	6.001	367315	3.1165	367640	3.306
366253	31.0556	366558	30.0006	367109	2.009	367316	3.1365	367641	3.305
366289	30.4213	366596	30.680	367114	3.256	367319	3.166	367642	5.0920
366289	31.3313	366598	30.100	367114	3.485	367322	2.013	367643	5.0920
366300	31.406	366601	30.1015	367119	7.207	367323	2.013	367644	5.0920
366304	31.3906	366607	30.6003	367119	7.214	367324	3.166	367654	14.000
366316	31.202	366618	4.1025	367120	4.0552	367327	2.0097	367661	5.1100
366317	31.202	366619	4.12055	367121	9.007	367328	2.000	367664	8.0145
366320	7.117	366619	4.2334	367127	11.0135	367329	3.1405	367667	4.1111
366321	30.2015	366652	7.108	367128	3.230	367330	3.166	367674	15.4071
366323	30.393	366653	7.108	367164	3.202	367331	9.145	367675	15.4072
366323	30.5072	366663	30.8135	367165	10.127	367333	3.1496	367679	3.4455
366323	30.8704	366671	30.388	367168	11.0045	367334	3.1496	367680	15.4115
366325	31.2745	366671	30.504	367174	9.2036	367335	4.0550	367681	15.4045
366326	30.200	366671	31.294	367177	3.1492	367338	9.102	367682	3.306
366326	31.2745	366672	30.388	367180	11.0045	367378	7.005	367683	3.305
366326	31.27461	366672	30.504	367181	8.007	367389	11.108	367695	3.347
366329	31.391	366672	31.294	367182	3.231	367394	16.003	367696	3.306
366332	7.101	366677	30.334	367183	3.2315	367398	4.1337	367697	3.305
366335	7.1023	366677	30.390	367190	0.016	367399	4.1337	367709	14.008
366336	31.033	366677	30.459	367191	0.016	367401	4.1337	367720	14.100
366337	31.033	366677	30.5055	367197	9.406	367404	13.000	367721	14.100
366354	30.3845	366677	31.297	367202	8.0315	367405	13.001	367722	14.100
366354	30.5005	366678	30.334	367203	8.0315	367411	3.138	367726	14.100
366354	30.859	366678	30.390	367204	8.016	367470	9.1215	367727	14.1015
366355	30.3845	366678	30.459	367217	17.0125	367470	9.143	367728	14.1015
366355	30.5005	366678	30.5055	367219	3.140	367478	9.128	367733	5.1601
366355	30.859	366678	31.297	367220	3.140	367485	3.1405	367740	14.000
366355	31.309	366736	31.300	367222	8.019	367488	9.134	367744	15.400
366422	31.025	366784	31.254	367223	8.019	367491	7.015	367749	15.5136
366423	31.025	366785	31.254	367225	17.0095	367492	5.0603	367752	15.5132
366424	31.074	366796	30.398	367226	17.0095	367494	8.0075	367754	15.5135
366425	31.074	366797	30.398	367227	17.001	367496	3.159	367757	15.5135
366428	30.1015	366879	31.365	367231	9.132	367496	4.0614	367760	15.5136
366429	30.10415	366882	30.356	367234	17.0045	367498	4.061	367761	15.4081
366442	30.3570	366883	30.357	367235	17.0047	367500	3.305	367773	16.0025
366442	30.4810	366891	31.282	367254	9.130	367508	4.0603	367777	4.12003
366444	31.029	366895	31.252	367255	3.163	367510	18.0135	367785	4.1001
366445	31.029	366918	30.814	367256	9.130	367511	13.024	367786	4.1001
366450	31.231	366919	30.815	367257	3.129	367514	13.024	367792	4.1200
366451	31.226	366958	31.250	367258	3.128	367517	13.024	367793	4.1200
366453	31.235	366962	7.100	367259	9.1225	367518	13.024	367795	4.0600
366456	31.235	366963	7.100	367259	9.144	367519	13.024	367796	9.125
366458	31.235	367002	3.416	367260	3.1407	367520	13.024	367797	9.125
366476	30.6113	367003	3.416	367261	3.1407	367526	13.023	367810	5.0402
366477	30.628	367012	4.1650	367262	9.130	367527	13.023	367811	5.0402
366478	30.6113	367013	4.1653	367266	9.007	367528	3.159	367812	5.0402
366478	31.252	367017	10.0285	367269	9.143	367531	3.159	367813	5.0402
366480	30.601	367017	17.003	367272	8.017	367536	4.0604	367820	19.000
366482	30.61125	367018	17.003	367273	4.0572	367539	3.346	367829	4.1800
366482	30.6116	367019	17.003	367275	3.1406	367540	4.0571	367833	4.1205
366483	30.600	367020	17.001	367277	3.161	367541	4.0573	367834	4.1205
366484	30.601	367021	17.001	367280	9.142	367543	3.159	367836	8.030
366487	30.600	367022	17.0044	367281	9.142	367549	3.306	367837	8.030
366489	30.601	367023	17.0046	367282	9.0204	367551	4.0570	367838	5.1302
366490	30.601	367024	2.0005	367283	9.135	367563	4.0574	367839	5.1301
366492	30.600	367026	2.0113	367284	9.114	367564	4.0576	367843	4.1205
366493	30.601	367043	4.0207	367286	9.136	367567	4.0570	367844	4.1205
366494	30.601	367044	4.0201	367287	17.0005	367574	4.0570	367845	4.1200

NUMERICAL INDEX (Cont'd)

PART NO.	INDEX NO.	PART NO.	INDEX NO.	PART NO.	INDEX NO.	PART NO.	INDEX NO.	PART NO.	INDEX NO.
367846	4.1200	369281	30.8759	370166	30.404	370476	10.058	370957	31.395
367851	8.007	369282	30.8759	370168	31.404	370479	30.4958	370968	31.481
367863	4.1311	369284	30.87596	370169	31.406	370521	31.1675	370976	30.940
367871	4.10026	369285	30.87596	370175	31.365	370534	30.812	370977	30.940
367875	1.302	369305	30.87596	370178	30.833	370536	31.365	370980	30.946
367881	5.1608	369320	30.626	370180	30.356	370536	31.394	370981	31.4114
367882	5.1608	369327	30.8762	370181	30.357	370543	0.0348	370983	31.4113
367883	5.1607	369334	31.353	370182	30.480	370552	30.413	370986	31.461
367884	3.479	369335	31.358	370183	30.481	370553	30.413	370987	31.461
367901	8.023	369340	30.871	370184	30.332	370557	31.1675	370919	30.908
367902	8.023	369347	30.449	370184	30.457	370579	31.1735	370992	31.474
367903	4.1001	369348	30.8527	370185	30.419	370588	7.100	370994	31.4745
367904	4.1001	369351	30.456	370186	30.301	370589	7.100	370995	31.4745
367905	4.1000	369352	30.456	370187	30.301	370594	30.446	370996	31.459
367909	4.1001	369362	30.382	370188	30.438	370595	30.446	370997	31.459
367910	4.1001	369363	30.383	370189	30.438	370596	30.447	370998	31.459
367915	4.1016	369368	30.6596	370190	31.2745	370597	30.447	370999	31.459
367920	4.1002	369371	30.366	370191	31.2745	370599	30.341	371005	1.300
367923	5.1305	369374	30.371	370196	31.366	370739	30.841	371012	4.0561
367924	4.1102	369375	30.371	370198	31.164	370758	31.4623	371013	4.0561
367925	4.2340	369376	30.370	370199	31.1652	370764	30.900	371015	4.0561
367935	8.0310	369377	30.370	370200	30.395	370768	30.837	371018	9.1225
367936	8.0310	369389	30.871	370201	30.395	370772	30.834	371018	9.144
367937	8.046	369412	31.395	370204	30.352	370774	30.836	371021	9.1147
367947	4.1611	369416	31.250	370205	30.352	370776	30.846	371021	9.140
367948	4.1611	369418	30.806	370207	31.190	370777	30.846	371022	4.12056
367949	4.1611	369419	30.807	370208	31.190	370784	30.000	371023	4.0564
367950	4.1611	369426	30.0235	370209	31.239	370785	30.000	371026	9.1145
367953	1.123	369434	31.397	370268	10.021	370796	31.4745	371026	9.139
367955	30.689	369435	31.397	370629	10.021	370801	31.458	371031	4.0560
367961	14.100	369455	30.880	370270	30.386	370804	31.414	371032	1.100
367963	1.6025	369456	30.880	370270	30.3879	370805	31.414	371036	8.010
367967	1.603	369457	30.880	370271	30.386	370816	31.435	371037	6.010
367968	1.604	369491	31.400	370271	30.3879	370817	31.436	371039	9.129
367984	4.1106	369534	31.4365	370272	30.502	370822	31.438	371040	5.1509
367987	4.2340	369535	31.244	370273	30.502	370823	31.439	371041	5.1501
367988	4.2340	369536	31.245	370274	30.401	370824	31.411	371042	5.15001
367989	3.103	369537	31.246	370275	30.401	370825	31.411	371049	9.129
367993	4.1205	369547	10.0269	370276	30.550	370826	31.410	371050	9.127
367995	4.1102	369651	30.366	370277	30.550	370827	31.410	371051	3.109
367996	4.1102	369669	30.87594	370278	30.319	370832	31.4128	371059	5.1503
369012	7.100	369678	31.247	370280	30.449	370833	31.4128	371060	8.039
369013	7.100	369699	30.9185	370281	30.449	370834	31.4127	371063	8.0146
369018	30.87593	369765	31.492	370313	31.166	370835	31.4127	371066	5.1100
369019	30.87593	369834	31.497	370320	7.000	370836	31.453	371069	1.500
369029	30.622	369870	31.4623	370321	7.000	370837	31.452	371073	3.116
369042	30.8903	369900	31.4534	370331	7.0051	370838	31.455	371074	5.0600
369046	30.8525	369901	31.4534	370377	30.927	370842	31.4555	371075	3.104
369054	30.4916	369903	31.4623	370378	30.377	370844	31.463	371076	3.105
369056	30.500	369904	31.4534	370378	30.4957	370846	31.462	371078	1.500
369057	30.500	369902	31.4623	370380	30.377	370850	31.430	371082	3.127
369058	10.0268	369905	31.4613	370380	30.4957	370851	31.475	371094	15.400
369064	31.1507	369906	31.4613	370381	30.3047	370853	31.475	371101	1.305
369065	30.657	369911	30.908	370381	30.4412	370856	31.459	371111	11.003
369068	31.1507	369913	30.941	370386	30.3048	370857	31.459	371113	1.108
369094	30.947	369914	30.940	370386	30.4412	370868	31.474	371115	11.0122
369095	30.947	369915	30.883	370390	31.254	370870	31.474	371116	5.1300
369111	30.600	369918	30.004	370391	31.254	370871	31.474	371118	8.028
369116	30.628	369978	31.4363	370396	30.551	370872	31.481	371119	8.028
369119	30.624	369979	31.4363	370400	30.433	370873	31.4954	371123	11.013
369163	30.6570	370022	31.240	370401	30.433	370873	31.497	371125	11.0122
369170	30.3429	370023	31.240	370402	30.560	370874	31.465	371131	9.3055
369170	30.4679	370039	31.1895	370403	30.560	370876	30.030	371135	4.0600
369171	30.622	370041	30.489	370405	30.304	370878	30.026	371141	3.1162
369180	30.8753	370048	31.1677	370406	30.3045	370883	31.474	371153	9.306
369181	30.8753	370049	7.0002	370410	10.021	370885	31.474	371155	9.101
369185	30.4916	370052	30.9405	370412	0.0096	370886	31.474	371158	4.0575
369186	30.509	370052	31.4615	370413	0.0096	370888	31.4954	371159	3.167
369187	30.509	370078	30.398	370420	30.3867	370888	31.497	371160	3.230
369227	30.8757	370078	30.510	370424	30.382	370889	31.465	371162	8.030
369230	30.858	370079	30.398	370425	30.383	370906	31.418	371163	8.030
369231	30.858	370079	30.510	370436	30.500	370920	30.941	371169	4.0556
369247	30.634	370162	30.495	370437	30.500	370935	30.030	371170	9.126
369272	30.8758	370163	30.495	370439	31.400	370938	30.026	371171	3.3466
369273	30.8758	370164	30.375	370471	30.933	370952	31.41250	371172	3.1415
369279	30.87585	370165	30.375	370474	30.9308	370953	31.41250	371173	3.108

NUMERICAL INDEX (Cont'd)

PART NO.	INDEX NO.	PART NO.	INDEX NO.	PART NO.	INDEX NO.	PART NO.	INDEX NO.	PART NO.	INDEX NO.
371179	8.003	371369	30.657	371590	11.108	371876	3.232	372147	30.396
371185	4.05585	371372	30.6571	371599	4.23245	371879	9.009	372147	30.509
371187	3.157	371373	3.1375	371600	4.05769	371880	9.0114	372155	10.0352
371190	8.000	371375	4.1513	371614	4.1622	371895	3.2281	372155	10.0645
371192	13.1001	371378	3.101	371615	4.1622	371914	6.008	372156	10.0445
371195	13.001	371384	15.0074	371620	4.1601	371914	6.010	372156	10.0635
371196	13.001	371385	30.6570	371621	4.1601	371916	4.1611	372162	31.240
371197	13.001	371387	30.657	371646	7.0071	371919	8.014	372163	31.240
371207	3.482	371388	10.004	371647	7.0071	371924	4.1301	372164	0.0015
371208	5.1102	371391	3.1495	371666	2.0115	371925	9.0206	372164	0.0090
371211	4.02025	371396	3.1162	371673	3.1497	371928	6.008	372165	0.0015
371211	10.128	371396	3.1275	371682	9.010	371956	9.0206	372169	31.394
371211	30.649	371397	3.1162	371683	12.0161	371959	31.310	372172	30.431
371212	4.05765	371398	3.1162	371692	30.6497	371960	31.310	372173	30.431
371212	4.22086	371398	3.1275	371693	30.650	371970	9.018	372174	0.0015
371212	4.2321	371402	4.13001	371694	30.651	371971	9.019	372188	30.814
371212	10.128	371404	4.13026	371696	30.6355	371983	15.511	372189	30.815
371214	11.300	371405	4.1311	371699	30.6497	371984	3.115	372190	30.440
371218	3.128	371406	4.0560	371700	30.649	371985	3.115	372200	31.195
371225	11.108	371406	4.06204	371712	3.155	371986	15.3101	372204	30.479
371226	11.108	371406	4.133765	371713	10.0107	371987	15.3102	372205	30.479
371228	7.0075	371413	10.0483	371714	10.0108	371998	9.0143	372206	30.479
371229	7.0075	371414	4.06208	371715	10.0108	372002	30.448	372207	30.479
371230	5.0902	371415	4.0566	371717	10.0174	372003	30.9305	372208	30.352
371233	4.1601	371415	4.06208	371717	10.087	372004	30.931	372209	30.352
371234	3.138	371415	4.13372	371721	3.157	372004	30.935	372211	30.377
371237	5.1100	371415	10.0483	371723	30.648	372005	10.0117	372211	30.4957
371251	3.4275	371416	4.1509	371737	3.156	372018	31.3955	372225	30.3045
371267	2.0005	371419	4.2333	371738	4.1602	372025	30.3275	372228	31.164
371268	2.001	371420	3.115	371739	4.1602	372025	30.450	372230	31.3917
371272	3.1162	371421	2.0113	371741	4.1611	372026	30.4335	372236	31.1735
371272	3.137	371421	11.108	371743	3.155	372027	30.4335	372244	0.0349
371272	3.1415	371425	3.1276	371744	3.155	372030	30.311	372246	1.106
371272	3.1497	371427	3.142	371757	3.167	372031	30.311	372249	30.304
371275	2.013	371434	4.06204	371758	3.167	372034	30.3015	372250	30.930
371276	2.013	371453	6.001	371765	3.230	372035	30.3015	372250	30.933
371277	2.013	371454	9.010	371767	3.2305	372036	30.5503	372251	30.930
371278	2.013	371454	9.0148	371768	9.014	372037	30.5503	372251	30.933
371279	2.000	371454	9.016	371777	4.13051	372040	30.312	372256	30.0275
371280	2.001	371462	3.000	371778	4.13051	372046	30.510	372257	30.0275
371288	3.119	371463	13.0175	371781	9.1215	372047	30.510	372258	10.028
371289	2.012	371473	4.1400	371781	9.143	372052	30.398	372260	30.9272
371290	2.012	371474	30.634	371782	3.000	372053	30.398	372261	30.92725
371291	2.012	371475	4.1300	371796	10.0174	372062	31.226	372270	31.230
371292	2.012	371476	4.1300	371814	3.236	372063	31.226	372272	30.8135
371295	11.0086	371477	2.0119	371815	3.2365	372064	31.236	372273	30.8135
371296	11.0086	371483	2.0113	371816	3.2366	372070	31.252	372286	31.2286
371300	11.108	371488	4.0200	371823	4.14013	372072	31.253	372287	30.304
371302	11.0045	371496	4.0616	371824	4.1407	372074	30.8135	372287	30.440
371304	11.108	371504	2.0118	371825	3.329	372075	30.8135	372288	31.1573
371306	11.0112	371505	10.058	371826	3.3325	372076	31.231	372289	31.1573
371309	3.005	371512	6.101	371827	3.3325	372077	31.2373	372294	0.0071
371314	3.010	371520	3.3325	371834	4.14014	372079	30.319	372295	0.0071
371323	15.001	371521	3.330	371841	4.14018	372082	31.1955	372304	0.0072
371325	15.0072	371532	3.3031	371842	4.14016	372091	30.3046	372305	0.0072
371325	15.3224	371533	15.2006	371843	4.14016	372091	30.4412	372310	30.8105
371329	15.0035	371537	2.009	371845	3.001	372092	30.3437	372311	30.8105
371330	15.003	371538	10.001	371845	4.1409	372092	31.1893	372314	10.058
371332	15.0045	371539	10.012	371846	4.14028	372094	30.413	372317	30.8105
371336	15.2025	371541	10.087	371849	4.14029	372095	30.413	372322	30.8105
371339	15.2005	371542	10.0106	371852	8.001	372108	31.237	372323	30.8105
371342	4.00083	371546	3.330	371853	8.001	372109	31.237	372324	30.8105
371343	4.00083	371554	3.137	371854	8.001	372110	7.101	372325	30.8105
371344	4.0084	371558	4.00085	371855	5.0513	372112	30.469	372326	0.0025
371346	6.100	371560	10.0105	371856	5.0513	372113	30.469	372328	30.9315
371353	4.1200	371562	4.13005	371857	3.256	372114	30.469	372331	0.00745
371354	4.1200	371564	5.0304	371860	3.2565	372115	30.469	372332	0.0016
371355	3.1335	371566	5.0304	371860	3.2535	372116	30.344	372334	7.0051
371356	3.101	371569	4.1600	371861	3.2335	372117	30.344	372335	30.3878
371357	3.102	371570	4.1600	371861	3.2565	372118	30.344	372341	30.3010
371363	18.013	371572	3.3031	371862	3.2335	372119	30.344	372341	31.2404
371364	18.013	371579	4.1602	371862	3.2565	372120	10.0355	372342	31.2305
371365	18.013	371580	4.1620	371863	3.2335	372121	3.1498	372343	31.167
371366	3.129	371590	2.0113	371863	3.2565	372130	30.9303	372348	30.3863
371367	3.128	371590	7.0072	371871	9.017	372131	31.2406	372349	30.3863
371368	15.00746	371590	7.011	371872	4.0540	372146	0.0015	372351	30.386

NUMERICAL INDEX (Cont'd)

PART NO.	INDEX NO.	PART NO.	INDEX NO.	PART NO.	INDEX NO.	PART NO.	INDEX NO.	PART NO.	INDEX NO.
372352	30.386	372576	30.328	372795	30.3988	373010	10.011	373263	15.5132
372354	30.930	372576	30.452	372797	30.5507	373011	10.001	373264	15.5035
372355	30.502	372582	31.3915	372798	30.410	373014	9.0144	373266	15.5132
372356	30.331	372588	31.237	372798	30.5527	373015	4.1602	373267	15.5132
372357	30.311	372602	10.0118	372799	30.410	373018	8.0105	373286	9.1215
372360	30.456	372603	10.0118	372799	30.5527	373026	9.02057	373288	9.136
372361	30.456	372608	10.0112	372800	30.5105	373027	9.132	373291	7.0165
372383	31.2376	372609	10.0112	372801	30.5105	373034	9.0203	373297	15.304
372390	30.310	372616	30.434	372802	30.396	373034	9.02057	373298	3.1162
372390	30.311	372617	30.434	372803	30.396	373035	9.1034	373298	3.1275
372390	30.4470	372618	30.301	372804	30.509	373060	4.1401	373305	15.329
372391	30.310	372618	30.438	372805	30.509	373072	9.0203	373311	15.321
372391	30.311	372618	31.2745	372806	30.626	373072	9.02057	373313	15.0071
372391	30.4470	372619	30.395	372808	10.000	373073	9.132	373314	12.004
372393	31.395	372619	30.508	372812	31.366	373077	9.0145	373325	7.0166
372410	30.9313	372621	30.395	372814	30.553	373078	9.0145	373326	4.0305
372411	30.92727	372632	31.909	372815	30.553	373079	9.130	373329	2.014
372420	30.0307	372637	30.396	372820	30.326	373083	9.136	373334	15.313
372424	30.0075	372658	30.509	372821	30.327	373085	9.0145	373344	15.322
372444	30.3570	372642	10.0118	372826	31.250	373085	9.0203	373345	5.1711
372444	30.4810	372643	10.0118	372834	31.1652	373085	9.135	373346	5.1711
372448	7.0051	372652	30.3010	372835	31.4365	373086	9.0203	373347	5.1711
372449	7.0051	372666	30.397	372836	31.4365	373087	9.0203	373348	5.1711
372450	0.00746	372666	30.509	372837	30.553	373107	9.0203	373354	15.5037
372452	31.235	372670	30.413	372842	30.413	373109	9.01445	373355	1.1231
372454	31.225	372671	30.413	372843	30.413	373113	9.1135	373358	4.01043
372455	31.1735	372678	30.007	372847	10.0319	373114	9.0145	373359	1.601
372458	7.101	372680	30.8135	372848	30.0005	373116	8.001	373360	1.601
372458	7.1023	372684	30.434	372849	31.4556	373117	8.001	373362	9.307
372463	0.0094	372684	30.562	372850	10.0114	373118	4.0542	373364	3.3046
372465	30.334	372686	30.007	372850	31.234	373118	9.0115	373365	1.0005
372465	30.390	372686	30.0076	372854	30.3225	373119	9.0115	373366	9.1205
372465	30.459	372690	30.029	372855	30.3225	373126	3.1494	373368	4.21084
372465	30.5055	372691	30.027	372870	30.450	373131	4.0001	373368	4.23001
372465	31.297	372692	30.028	372871	30.450	373132	9.018	373368	30.6113
372466	30.388	372693	31.280	372872	0.0097	373151	3.172	373368	30.6490
372466	30.504	372694	30.411	372874	31.252	373153	3.170	373372	4.21084
372466	31.294	372694	30.413	372877	10.0317	373156	15.302	373378	3.32977
372467	0.0091	372694	30.5529	372881	30.9272	373157	15.302	373387	3.3088
372477	30.6118	372694	30.553	372898	30.341	373158	7.0165	373388	15.3074
372477	30.626	372696	30.5537	372899	30.341	373159	7.016	373389	15.3074
372488	30.808	372697	30.5535	372909	30.3275	373160	9.0203	373390	9.137
372488	30.809	372701	10.0106	372909	30.450	373164	3.169	373392	15.3045
372491	31.2406	372702	30.5535	372914	30.3275	373165	3.153	373398	1.010
372492	31.2405	372703	30.4163	372914	30.450	373165	3.168	373399	3.32975
372493	31.188	372706	30.3429	372918	30.5506	373168	2.0115	373407	3.32976
372494	31.2405	372706	30.4679	372920	30.5506	373169	2.0115	373408	3.3297
372495	7.1035	372708	30.026	372921	30.5506	373174	5.1015	373418	7.011
372496	30.806	372711	30.34295	372924	31.176	373177	3.165	373419	7.011
372497	30.807	372711	30.4679	372925	30.706	373186	6.107	373424	3.3291
372499	1.106	372721	30.931	372940	30.466	373187	6.107	373429	3.310
372503	10.0110	372723	30.34297	372941	30.466	373188	8.029	373430	3.317
372506	30.395	372723	30.46798	372943	7.009	373189	8.029	373431	3.317
372507	30.395	372726	30.0005	372959	30.4085	373190	8.029	373437	15.3002
372508	7.103	372729	30.3417	372959	30.55290	373191	8.029	373441	4.05765
372518	31.157	372735	31.187	372960	30.3015	373194	4.1337	373443	3.4461
372519	31.230	372738	30.0295	372962	30.3015	373195	10.0483	373443	3.488
372525	30.628	372739	30.9305	372963	10.000	373196	10.0483	373444	3.012
372527	30.6113	372751	31.167	372963	10.058	373197	4.06208	373445	0.0345
372528	30.6113	372757	30.622	372967	30.320	373198	4.01041	373446	15.329
372530	30.508	372764	30.0076	372970	0.0091	373199	4.0003	373453	7.011
372531	30.508	372771	30.434	372970	30.396	373202	9.0143	373454	3.3045
372532	30.562	372773	10.0112	372970	30.39875	373209	5.1015	373456	15.304
372533	30.562	372774	30.408	372971	10.028	373210	5.1016	373457	3.326
372536	10.0117	372775	30.408	372971	10.058	373220	8.0454	373459	2.01153
372537	30.553	372777	0.0073	372972	10.028	373221	8.0454	373460	2.017
372538	30.927	372780	30.5525	372973	30.930	373227	3.152	373463	2.014
372539	7.103	372781	30.5525	372973	30.933	373230	4.0008	373466	4.05515
372539	31.3908	372784	31.4390	372987	4.16135	373244	15.502	373471	9.306
372543	31.3915	372785	31.4390	372988	30.5507	373245	15.502	373472	3.404
372548	31.1576	372788	31.4390	372990	30.3878	373246	4.2334	373475	4.1002
372556	31.2305	372789	31.4390	372999	30.412	373247	15.501	373476	4.1000
372557	31.2373	372790	10.022	372999	30.5528	373248	15.501	373477	15.303
372559	30.9270	372792	31.4365	373002	3.235	373251	5.1016	373483	2.000
372575	31.187	372793	31.4365	373004	9.136	373261	15.5036	373483	2.0005
372575	31.188	372794	30.3988	373007	4.00073	373262	15.5135	373483	2.0015

NUMERICAL INDEX (Cont'd)

PART NO.	INDEX NO.	PART NO.	INDEX NO.	PART NO.	INDEX NO.	PART NO.	INDEX NO.	PART NO.	INDEX NO.
373484	4.2208	373717	30.861	373860	3.127	374293	30.311	374440	30.900
373486	15.318	373719	6.010	373862	14.000	374294	31.164	374441	30.900
373490	12.023	373721	4.0569	373866	6.100	374302	31.1573	374442	30.908
373491	12.023	373723	6.004	373867	3.103	374303	31.1573	374443	30.940
373492	3.014	373725	6.002	373868	6.001	374308	31.1576	374444	30.941
373493	4.00085	373725	6.0053	373869	4.05587	374316	31.291	374454	30.941
373499	4.1024	373726	7.015	373872	9.1001	374317	31.291	374463	30.941
373502	9.400	373727	7.015	373879	3.115	374324	30.030	374464	30.940
373503	4.1105	373728	7.0115	373881	14.002	374325	30.030	374465	30.940
373505	4.2320	373729	7.015	373895	8.028	374326	30.334	374466	30.900
373507	4.2208	373730	7.0115	373896	8.028	374326	30.390	374467	30.900
373508	11.108	373731	7.0115	373897	15.406	374326	30.459	374468	30.908
373514	9.400	373732	7.011	373898	15.406	374326	30.5055	374469	30.628
373515	2.0118	373736	4.1102	373902	3.1275	374326	30.865	374501	30.334
373516	4.0008	373736	4.2340	373905	3.115	374327	30.388	374501	30.390
373518	2.0118	373737	10.127	373915	3.157	374327	30.504	374501	30.459
373524	11.3056	373740	3.405	373918	4.0101	374327	30.864	374501	30.5055
373525	9.3005	373744	3.1695	373919	15.4105	374328	31.330	374501	30.865
373527	9.3005	373747	15.200	373920	4.00085	374329	31.331	374502	30.334
373529	7.0166	373748	15.200	373922	5.1602	374330	30.8105	374502	30.459
373545	5.1000	373749	15.000	373923	5.1601	374331	30.8105	374503	30.388
373548	7.015	373752	4.1335	373924	8.000	374334	30.356	374503	30.504
373550	5.1001	373753	4.13375	373925	15.4065	374335	30.357	374503	30.864
373560	4.1307	373755	1.500	373931	8.036	374338	30.480	374504	30.419
373562	3.129	373759	4.05765	373932	3.1492	374339	30.481	374504	31.330
373563	3.128	373762	4.05765	373933	13.000	374342	30.489	374505	30.419
373565	3.314	373764	0.0074	373934	13.000	374346	30.601	374505	31.330
373568	30.433	373765	4.1205	373935	13.1164	374347	30.601	374506	30.4205
373569	30.433	373768	7.000	373935	13.118	374348	30.855	374506	31.331
373570	3.4045	373769	7.000	373942	13.024	374350	31.281	374507	30.4205
373575	7.0072	373770	7.000	373943	13.023	374351	31.282	374507	31.331
373576	7.0072	373771	7.000	373944	3.151	374352	31.305	374508	30.334
373579	9.300	373772	7.009	373945	3.150	374353	31.306	374508	30.390
373580	9.300	373773	7.009	373946	13.000	374354	30.871	374509	30.334
373584	2.0050	373774	0.011	373947	13.000	374355	31.395	374509	30.390
373587	4.0104	373775	0.011	373949	1.200	374356	30.858	374509	31.100
373590	0.0334	373778	7.0075	373951	4.0312	374357	31.365	374510	30.356
373591	0.0334	373779	7.0075	373952	9.109	374361	10.000	374511	30.357
373592	4.0600	373780	7.0077	373953	0.030	374364	30.885	374512	30.356
373597	19.002	373781	7.0077	373955	11.012	374365	30.885	374513	30.357
373598	4.1509	373782	7.0077	373956	0.0015	374370	30.894	374518	30.388
373605	3.1493	373783	7.0077	373957	0.0015	374371	30.894	374519	30.388
373606	0.0335	373784	7.0079	373965	8.007	374373	10.022	374522	30.419
373607	0.0335	373785	7.0079	373966	8.007	374376	10.0445	374523	30.4205
373608	4.05765	373788	7.0079	373974	3.209	374381	31.234	374524	30.480
373608	4.13051	373789	7.0079	373986	5.1100	374394	30.3615	374525	30.481
373608	4.22085	373803	11.1005	373995	13.001	374395	30.3615	374526	30.480
373618	3.14958	373805	11.108	374076	30.382	374396	30.626	374527	30.481
373630	3.1387	373807	11.108	374077	30.383	374396	30.665	374528	30.480
373635	3.1386	373808	11.108	374125	30.9270	374397	30.626	374529	30.481
373636	1.1013	373809	11.108	374130	30.930	374398	30.626	374530	30.480
373639	3.1389	373810	11.108	374130	30.933	374399	30.626	374531	30.481
373640	3.1388	373811	11.108	374131	30.930	374402	31.280	374542	10.022
373641	1.102	373812	11.108	374131	30.933	374403	31.280	374544	10.0425
373643	9.0149	373820	30.433	374132	30.933	374404	31.280	374544	10.0645
373646	16.003	373821	30.433	374133	30.933	374405	31.280	374545	10.0445
373648	16.0025	373822	4.05765	374134	31.2471	374406	30.3617	374546	30.855
373650	16.012	373823	9.400	374135	31.2471	374406	30.4818	374548	31.281
373657	4.1022	373824	9.400	374148	30.914	374406	31.2857	374549	31.282
373663	11.300	373825	9.400	374150	30.914	374406	31.4558	374550	31.305
373668	0.028	373827	1.6025	374151	30.914	374407	30.3617	374551	31.306
373668	4.05766	373828	1.601	374211	30.9303	374407	30.4818	374554	31.396
373678	5.0700	373829	10.127	374218	10.0114	374407	31.2857	374556	10.022
373680	7.0116	373840	6.000	374218	31.234	374407	31.4558	374557	10.022
373681	7.0116	373842	3.14955	374221	30.022	374408	31.281	374558	10.022
373686	3.005	373844	5.1305	374222	31.353	374409	31.282	374559	10.022
373687	3.005	373847	6.008	374223	31.358	374410	31.281	374654	30.366
373696	3.1387	373848	6.0053	374247	31.287	374411	31.282	374560	10.022
373697	1.0101	373849	9.102	374248	31.290	374418	31.286	374561	10.022
373702	15.0073	373851	8.014	374257	30.940	374419	31.286	374562	10.022
373702	15.32245	373852	6.101	374258	30.509	374424	31.293	374563	10.022
373704	15.004	373854	5.1503	374259	30.509	374425	31.293	374564	10.022
373705	15.009	373855	1.500	374276	30.9276	374428	30.933	374565	10.022
373706	15.009	373856	3.100	374284	30.401	374432	31.394	374566	10.0445
373707	4.23265	373857	15.501	374285	30.401	374433	30.706	374567	10.0445
373714	5.0500	373858	15.501	374292	30.331	374434	30.706	374568	10.0445

NUMERICAL INDEX (Cont'd)

PART NO.	INDEX NO.	PART NO.	INDEX NO.	PART NO.	INDEX NO.	PART NO.	INDEX NO.	PART NO.	INDEX NO.
374569	10.0445	374804	30.030	375157	30.352	375501	30.9274	376211	31.226
374570	10.0445	374805	30.030	375158	31.2855	375502	30.39875	376220	30.342
374571	10.022	374842	30.030	375160	30.356	375509	30.034	376221	30.342
374572	10.0445	374843	30.030	375161	30.357	375512	31.2745	376224	30.467
374573	10.0445	374846	30.410	375163	30.357	375650	30.352	376225	30.467
374587	10.000	374846	30.5527	375172	30.395	375651	30.352	376237	30.311
374588	10.0425	374847	30.410	375173	30.395	375654	30.352	376237	30.4958
374588	10.0645	374847	30.5527	375178	30.301	375655	30.352	376237	31.293
374589	10.0425	374883	31.287	375178	31.2745	375658	30.479	376243	30.4470
374589	10.0645	374899	31.365	375179	30.395	375659	30.479	376246	30.4085
374596	30.007	374906	31.366	375179	30.508	375660	30.479	376246	30.55290
374597	30.007	374941	31.394	375179	31.286	375661	30.479	376246	30.553
374598	30.007	374942	31.394	375190	30.326	375666	30.396	376249	30.3845
374599	30.007	374950	31.395	375191	30.327	375667	30.396	376249	30.5005
374600	30.011	374951	31.395	375196	30.806	375674	30.509	376261	30.944
374601	30.007	374976	30.927	375197	30.807	375675	30.509	376265	31.164
374602	30.007	374977	30.927	375204	31.2745	375827	10.022	376270	30.510
374603	30.007	375022	31.299	375205	31.2745	375828	10.022	376271	30.510
374608	31.394	375023	31.299	375216	4.0200	375830	10.022	376316	30.0075
374610	31.394	375024	31.299	375217	30.626	375831	30.605	376317	30.0075
374612	31.281	375025	31.299	375218	30.626	375854	14.113	376318	30.0075
374613	31.282	375026	31.299	375218	30.665	375855	14.113	376351	10.028
374614	31.305	375027	31.299	375228	10.0352	375856	14.113	376351	30.61125
374615	31.306	375030	31.280	375231	31.27461	376000	30.38775	376370	30.833
374616	30.706	375031	31.280	375240	30.034	376001	30.38775	376373	31.365
374617	30.9277	375032	31.280	375241	30.034	376002	30.7015	376493	31.395
374623	30.9277	375033	31.280	375244	30.356	376003	30.7016	376497	30.301
374631	4.0200	375038	31.1893	375245	30.357	376004	30.709	376497	30.438
374651	31.106	375039	31.235	375248	31.286	376005	30.709	376497	31.2745
374652	31.105	375040	31.235	375249	30.3615	376006	30.703	376506	30.479
374660	31.245	375049	10.0114	375250	7.100	376007	30.92723	376570	30.469
374663	31.246	375049	31.234	375251	7.100	376016	31.164	376571	30.469
374668	31.430	375050	30.601	375256	31.1967	376026	30.38795	376574	30.469
374670	30.480	375051	30.601	375257	30.600	376036	30.38777	376575	30.469
374671	30.481	375052	30.601	375260	30.007	376037	30.368	376582	30.352
374672	30.601	375053	30.600	375261	30.007	376037	31.293	376583	30.352
374675	10.0268	375054	30.628	375262	30.007	376038	30.386	376595	31.4557
374676	31.431	375057	30.706	375263	30.007	376038	31.293	376607	30.3615
374682	30.8907	375058	30.706	375296	30.301	376044	30.4537	376608	30.3615
374683	31.243	375067	30.600	375297	30.301	376045	30.4537	376609	30.4815
374690	30.014	375072	10.021	375298	30.609	376047	30.7033	376610	30.4815
374691	30.014	375073	10.021	375309	30.034	376052	10.000	376628	31.4365
374694	30.703	375074	10.022	375312	30.034	376052	10.058	376630	31.4390
374695	30.026	375075	10.022	375333	10.021	376062	0.0093	376631	31.4390
374696	30.026	375076	10.022	375334	10.022	376063	30.3015	376632	30.407
374698	30.005	375077	10.023	375335	10.022	376064	0.0095	376633	30.407
374712	30.87598	375085	10.032	375337	10.000	376066	10.0116	376634	30.551
374713	30.87598	375087	10.0352	375339	30.841	376067	10.0116	376635	30.551
374714	31.456	375090	10.000	375340	30.837	376071	30.38797	376642	31.4365
374715	31.456	375091	10.000	375342	10.0352	376099	30.9405	376643	31.4365
374716	30.843	375095	4.0200	375346	31.190	376099	31.4615	376644	31.4365
374717	30.843	375096	4.0200	375354	30.311	376109	30.319	376645	31.4390
374718	30.843	375097	4.0200	375355	30.311	376110	15.0373	376646	31.4390
374756	30.688	375098	10.038	375356	30.310	376111	30.9307	376647	31.4390
374757	30.688	375099	30.61125	375357	30.310	376114	31.400	376648	31.4390
374758	30.688	375099	30.622	375358	30.030	376115	31.400	376649	31.4390
374760	30.456	375099	30.660	375359	30.030	376118	10.0112	376658	31.27461
374761	30.456	375116	30.0275	375360	30.030	376119	31.4745	376659	31.157
374770	30.332	375118	30.026	375361	30.030	376121	31.4745	376665	30.705
374770	30.457	375122	30.344	375362	30.3437	376125	30.61135	376688	30.352
374774	30.3429	375123	30.344	375398	30.1004	376130	15.3072	376689	30.352
374774	30.4679	375124	30.386	375399	30.1015	376140	30.942	376692	30.479
374776	30.34297	375125	30.386	375400	30.319	376142	30.61125	376693	30.479
374776	30.46798	375134	30.398	375401	30.319	376148	30.9425	376695	31.394
374777	30.34295	375135	30.398	375417	10.022	376150	30.5505	376698	30.341
374777	30.4679	375144	30.396	375419	10.000	376151	30.5505	376698	30.466
374799	30.022	375145	30.396	375429	10.000	376162	30.3845	376720	30.356
374785	30.61125	375146	30.396	375439	30.026	376162	30.5005	376721	30.357
374785	30.622	375147	30.396	375447	30.604	376163	30.3845	376722	30.480
374785	30.660	375150	30.352	375458	10.0351	376163	30.5005	376723	30.481
374786	30.8135	375151	30.352	375468	30.022	376165	30.7021	376724	30.479
374787	30.8135	375152	30.352	375470	30.610	376166	30.7022	376725	30.479
374788	30.8135	375153	30.352	375471	31.394	376174	30.0006	376728	30.356
374789	30.8135	375154	30.352	375479	10.022	376175	30.0006	376729	30.357
374802	30.030	375155	30.352	375480	10.0351	376179	31.394	376730	30.480
374803	30.030	375156	30.352	375496	7.009	376205	31.1576	376731	30.481

NUMERICAL INDEX (Cont'd)

PART NO.	INDEX NO.	PART NO.	INDEX NO.	PART NO.	INDEX NO.	PART NO.	INDEX NO.	PART NO.	INDEX NO.
376732	30.356	377228	1.605	377542	3.14956	377799	9.132	378014	15.333
376733	30.357	377231	1.200	377543	3.14955	377807	15.515	378026	3.314
376734	30.480	377232	9.102	377544	15.5136	377821	5.0508	378027	15.333
376735	30.481	377233	9.102	377549	6.000	377824	15.3002	378035	4.21092
376736	30.356	377239	5.1602	377552	4.1623	377825	5.0928	378061	4.1601
376737	30.357	377240	11.003	377555	6.000	377826	9.1140	378062	6.001
376738	30.480	377242	11.003	377558	9.140	377827	9.114	378069	9.000
376739	30.481	377243	11.003	377559	4.1608	377828	9.1140	378071	9.000
376760	31.247	377244	11.003	377564	4.0560	377829	9.114	378076	10.012
376765	31.2405	377247	11.108	377570	15.3002	377830	9.114	378077	10.0173
376783	31.2405	377248	11.108	377577	4.21089	377833	19.002	378085	10.1283
376784	30.6118	377251	11.108	377578	4.2109	377834	19.002	378087	10.001
376784	30.665	377252	11.108	377585	5.0404	377836	19.002	378088	10.001
376788	30.396	377253	14.000	377586	15.3075	377837	19.002	378100	3.150
376789	30.396	377260	11.1085	377614	4.0201	377840	11.2225	378101	3.150
376790	30.509	377265	11.001	377616	4.0207	377843	19.002	378109	3.157
376791	30.509	377282	7.009	377617	4.0202	377847	19.002	378114	3.150
376794	30.342	377286	8.000	377618	4.0202	377851	7.000	378115	3.150
376795	30.342	377294	13.1001	377619	4.02051	377852	7.000	378118	9.02057
376800	31.459	377298	5.1102	377620	4.02051	377854	10.004	378119	9.132
376801	31.459	377305	8.030	377621	4.02051	377855	10.004	378120	9.000
376805	30.030	377306	8.030	377622	4.02073	377859	19.0035	378121	9.02057
376806	30.030	377310	7.000	377623	4.02095	377870	3.334	378122	9.132
376807	30.030	377311	7.000	377624	4.02095	377872	10.058	378123	3.159
376808	30.026	377314	5.11015	377641	4.1623	377881	4.1000	378124	3.167
376809	30.026	377315	8.030	377647	10.058	377885	10.001	378125	3.155
376810	30.026	377316	8.030	377648	10.058	377886	10.001	378127	9.132
376816	31.414	377318	0.011	377651	10.058	377887	10.004	378128	10.058
376817	31.414	377319	0.011	377655	4.1600	377889	10.012	378129	10.058
376819	31.458	377324	8.028	377656	4.1600	377889	10.0154	378130	10.058
376828	31.435	377325	8.028	377674	9.0203	377890	10.012	378131	10.058
376829	31.436	377339	14.000	377677	15.3076	377893	10.0173	378132	10.058
376834	31.438	377343	9.2035	377678	15.3076	377894	10.0173	378133	10.058
376835	31.439	377345	4.0008	377680	15.303	377897	4.1337	378134	10.058
376838	31.411	377350	15.3075	377681	15.303	377903	10.058	378135	10.058
376839	31.411	377356	4.21094	377683	15.3076	377904	10.058	378136	10.058
376840	31.410	377358	7.011	377684	15.3076	377930	4.0104	378137	10.058
376841	31.410	377374	15.202	377685	15.303	377931	4.0104	378138	10.058
376843	31.453	377375	15.202	377686	15.303	377932	4.0104	378139	10.058
376844	31.4128	377379	15.313	377689	9.143	377939	4.0561	378140	4.05765
376845	31.4128	377387	10.065	377698	9.102	377942	3.4045	378141	4.05765
376846	31.4127	377389	10.0645	377699	10.100	377944	10.058	378142	9.135
376847	31.4127	377390	10.0645	377700	10.100	377945	4.1337	378144	4.05765
376848	31.452	377407	10.065	377703	3.109	377947	10.0614	378145	9.144
376849	31.455	377418	0.011	377706	10.0483	377948	10.0614	378147	4.05765
376852	31.4555	377419	0.011	377728	10.100	377949	10.0614	378148	10.058
376855	31.462	377429	4.0621	377729	10.100	377950	10.0614	378150	30.635
376855	31.463	377430	10.0915	377730	4.17007	377951	10.0635	378150	30.636
376860	31.4114	377445	15.3002	377730	10.0548	377954	10.0635	378150	30.6365
376862	31.4113	377455	15.335	377731	4.17007	377956	10.0105	378151	4.0312
376870	31.461	377456	3.311	377731	10.0548	377957	10.088	378152	4.0312
376871	31.461	377458	4.01041	377734	9.1001	377958	4.1513	378153	9.209
376881	30.941	377459	4.1513	377735	9.1001	377960	9.1035	378154	9.109
376888	31.462	377462	4.1337	377736	9.1001	377971	10.0105	378155	10.0614
376889	31.462	377464	10.088	377737	15.3015	377972	10.0105	378156	10.0614
376898	31.4954	377465	10.0105	377742	4.03001	377979	15.3002	378159	4.01041
376899	31.4954	377466	10.004	377752	4.0540	377980	15.3002	378160	4.01041
376904	31.465	377479	18.0135	377752	9.0113	377981	15.3002	378161	9.200
376924	31.474	377485	15.303	377768	15.3075	377982	3.314	378165	10.088
376925	31.4954	377486	15.3076	377769	15.3075	377985	3.325	378168	9.0035
376926	31.4916	377500	8.0146	377770	15.3075	377986	3.325	378191	10.058
376932	31.468	377501	8.0146	377771	15.3075	377992	15.3002	378192	10.058
376935	31.471	377512	5.0304	377772	15.3075	377993	15.3002	378194	10.0105
376952	30.908	377513	15.400	377774	15.3075	377995	3.311	378197	10.0635
376953	30.941	377515	5.0304	377775	15.3075	377996	3.314	378198	10.0635
376954	30.940	377517	11.013	377776	15.3075	377997	3.314	378199	10.0635
376955	30.940	377526	19.041	377782	3.115	377999	3.314	378204	4.1001
377142	11.108	377527	4.1600	377783	9.0115	378005	15.303	378205	4.1000
377171	7.0115	377528	4.1600	377785	9.132	378006	15.303	378218	4.21082
377171	7.015	377529	4.1600	377788	9.0115	378007	15.3075	378219	4.1002
377172	7.015	377530	4.1600	377789	3.14955	378008	15.3075	378226	10.004
377174	7.0115	377535	3.310	377792	3.14956	378009	15.3075	378234	9.1205
377205	1.605	377536	4.1655	377793	4.0556	378010	15.3075	378235	15.3002
377218	7.0079	377538	6.000	377794	3.150	378011	15.3076	378236	15.3002
377219	7.0079	377539	4.1622	377795	3.150	378012	15.3076	378237	15.3002
377221	4.0008	377541	5.1552	377796	4.0566	378013	15.333	378240	8.046

NUMERICAL INDEX (Cont'd)

PART NO.	INDEX NO.	PART NO.	INDEX NO.	PART NO.	INDEX NO.	PART NO.	INDEX NO.	PART NO.	INDEX NO.
378248	11.012	378366	15.3076	378555	15.313	378760	15.3075	378988	15.303
378249	15.303	378373	9.114	378558	3.011	378772	15.321	378989	30.652
378250	15.3045	378376	9.020	378559	3.011	378775	11.1085	378990	30.650
378251	15.3075	378377	15.3075	378560	3.011	378778	3.005	378991	4.21080
378252	10.012	378380	9.1225	378562	3.105	378780	9.0203	378992	4.0003
378253	10.012	378380	9.144	378563	4.2320	378782	5.1608	379002	6.101
378255	10.128	378381	7.002	378564	4.2320	378783	5.1608	379006	9.400
378260	8.030	378382	7.002	378565	4.2320	378785	6.100	379007	4.210813
378261	8.030	378385	15.3045	378566	3.306	378788	1.016	379009	4.21081
378262	10.058	378386	15.3002	378568	3.306	378795	15.400	379014	3.203
378263	10.058	378387	9.003	378577	5.1010	378799	11.108	379015	3.4015
378264	10.058	378389	3.313	378586	4.1401	378800	11.108	379026	9.014
378265	10.058	378391	11.0123	378587	4.1407	378804	4.1205	379032	4.210813
378266	10.058	378392	0.0336	378588	4.14028	378805	4.1205	379038	11.1085
378267	8.028	378393	9.000	378589	4.1409	378806	11.108	379040	0.0334
378268	8.028	378394	8.039	378590	0.030	378810	4.1800	379041	0.0334
378271	10.058	378395	3.325	378591	4.14017	378811	4.1800	379042	11.108
378272	10.058	378396	3.325	378594	15.3076	378812	4.1800	379049	11.108
378273	10.058	378397	3.325	378596	11.0045	378813	3.330	379050	11.108
378274	10.058	378398	4.1300	378605	4.2320	378814	3.331	379052	4.1622
378275	10.058	378399	4.1300	378606	4.2320	378815	3.332	379053	4.1622
378277	4.1513	378402	4.1100	378607	4.2320	378819	3.172	379055	4.1602
378280	10.0635	378405	9.1115	378608	4.2320	378820	3.170	379056	4.1602
378281	10.0635	378408	9.209	378609	4.2320	378823	5.0603	379062	4.0701
378282	15.3002	378410	9.000	378610	4.2320	378832	18.0135	379063	4.1024
378283	3.4045	378411	9.000	378611	4.2320	378833	18.0135	379067	15.3002
378290	15.333	378412	9.000	378612	4.2208	378841	4.21096	379069	7.00795
378291	15.333	378413	9.000	378613	4.2208	378845	8.000	379073	6.004
378295	3.404	378414	9.1140	378614	4.2208	378847	5.1607	379077	6.1017
378297	3.404	378415	9.114	378615	4.2208	378848	15.302	379078	15.303
378299	10.058	378417	9.1140	378616	4.2320	378855	15.00742	379079	6.1025
378300	10.058	378418	9.114	378618	4.2320	378856	15.3074	379080	11.013
378301	10.058	378419	9.114	378621	4.2208	378859	5.1101	379081	6.101
378302	15.333	378428	3.3046	378623	4.2208	378860	7.00795	379102	10.100
378303	15.333	378430	4.1400	378632	7.011	378861	7.00795	379103	10.100
378304	15.333	378433	3.4045	378633	7.011	378862	7.00795	379104	10.100
378306	15.3002	378437	3.404	378636	11.003	378863	7.00795	379105	10.100
378307	15.3002	378438	1.3065	378638	9.135	378864	7.00795	379124	0.0335
378313	15.303	378438	3.104	378640	14.100	378865	7.00795	379125	0.0335
378315	15.3076	378448	11.003	378641	14.100	378866	7.00795	379126	0.03353
378316	9.1140	378455	1.200	378650	7.011	378867	7.00795	379127	0.03353
378317	9.114	378457	1.300	378651	7.011	378868	7.00795	379133	13.000
378319	15.3075	378460	1.302	378652	1.501	378869	7.00795	379134	13.000
378320	15.3075	378464	15.303	378653	1.501	378880	15.3075	379135	13.000
378321	15.3075	378479	15.303	378654	5.1016	378882	1.0005	379136	13.000
378322	18.013	378493	1.200	378655	5.1015	378896	7.00795	379137	30.4315
378323	18.013	378496	3.325	378656	11.001	378897	7.00795	379142	10.058
378324	4.0561	378497	3.325	378658	0.028	378901	9.400	379161	4.1611
378325	4.0561	378498	3.325	378659	0.0276	378905	0.028	379162	4.1611
378326	15.303	378503	7.200	378667	11.0086	378906	0.0276	379166	4.1602
378329	15.3002	378504	7.200	378668	11.0086	378914	0.0334	379167	4.1623
378330	15.3075	378505	10.058	378669	4.0312	378915	0.0334	379170	4.1602
378331	10.127	378506	10.058	378671	7.000	378918	11.003	379174	14.100
378332	10.127	378507	10.058	378672	7.000	378920	6.100	379175	14.100
378333	3.314	378508	10.058	378680	10.100	378921	7.0075	379200	3.109
378334	3.314	378509	10.058	378681	10.100	378922	7.0075	379204	3.404
378335	3.314	378511	10.0614	378688	12.022	378926	2.000	379206	3.404
378336	3.314	378513	10.0614	378692	11.0045	378929	2.012	379207	4.1001
378337	3.314	378516	9.109	378695	11.108	378930	2.012	379208	4.1602
378338	15.3076	378517	15.3045	378703	9.109	378931	2.012	379209	4.1602
378346	4.0616	378522	13.301	378704	18.0135	378932	2.012	379211	1.400
378347	15.3076	378523	13.307	378705	11.0085	378933	2.0050	379212	1.412
378348	15.303	378524	13.308	378714	0.0336	378934	2.0005	379213	3.115
378351	15.3002	378525	13.309	378721	1.500	378936	2.013	379262	11.108
378353	4.13051	378526	13.306	378725	1.1086	378937	2.013	379263	11.108
378354	4.13051	378527	13.307	378727	3.317	378938	2.013	379269	15.409
378355	4.1300	378528	13.308	378730	3.325	378939	2.013	379270	15.409
378356	4.1300	378529	13.308	378731	15.329	378944	2.001	379281	13.024
378357	15.3002	378529	13.309	378735	11.108	378954	7.000	379282	13.024
378358	15.3002	378530	13.310	378739	3.1695	378955	7.000	379283	5.0500
378359	9.020	378537	9.0005	378740	3.1695	378966	2.0115	379285	5.0500
378360	3.325	378539	6.100	378743	9.019	378968	2.0113	379287	5.0500
378361	5.1015	378540	15.3002	378748	9.0206	378974	7.000	379296	9.01445
378364	4.1102	378541	15.3075	378752	9.0203	378975	7.000	379297	9.0144
378364	4.2340	378542	15.3075	378753	9.0203	378976	9.0206	379304	4.2320
378365	15.303	378548	3.104	378756	1.001	378986	2.009	379305	4.2208

NUMERICAL INDEX (Cont'd)

PART NO.	INDEX NO.	PART NO.	INDEX NO.	PART NO.	INDEX NO.	PART NO.	INDEX NO.	PART NO.	INDEX NO.
379314	30.623	379645	1.105	379866	3.310	380103	30.510	380560	31.3915
379332	5.1400	379646	1.105	379867	4.1037	380131	30.319	380561	30.413
379333	5.1400	379666	1.121	379868	4.10385	380159	30.933	380566	30.438
379334	5.1400	379667	10.0915	379876	4.1600	380160	30.933	380567	30.438
379339	19.002	379668	10.0915	379877	4.1600	380164	30.466	380568	31.1573
379356	13.024	379669	10.0915	379878	4.1602	380165	30.466	380569	31.1573
379357	13.024	379670	10.0915	379879	4.1620	380166	30.341	380572	31.4615
379362	30.7085	379671	13.000	379880	4.1600	380167	30.341	380573	31.4615
379364	4.2208	379672	13.000	379881	4.1600	380168	30.449	380576	31.1735
379382	4.0614	379673	13.001	379882	4.1602	380169	30.449	380578	31.4556
379383	4.0614	379698	9.1135	379883	4.1602	380170	30.319	380579	31.4556
379384	4.0621	379699	9.1135	379884	4.14029	380171	30.319	380580	31.4365
379385	4.0621	379726	11.108	379884	4.1602	380172	31.4365	380582	31.4365
379386	4.0603	379727	11.108	379886	4.14028	380173	31.4390	380583	31.4390
379387	4.0603	379733	15.3045	379888	19.0035	380179	30.00753	380584	31.4390
379388	10.0915	379735	4.21082	379890	19.002	380192	31.4556	380585	31.4390
379389	10.0915	379750	4.0206	379891	19.002	380193	31.4556	380586	31.4390
379393	13.023	379751	4.02051	379894	0.0335	380194	31.4556	380587	31.4390
379394	13.023	379752	4.02051	379895	0.0335	380250	31.4556	380588	31.4365
379395	4.0621	379753	4.02054	379896	7.0075	380251	31.4556	380589	31.4390
379396	4.0621	379754	4.02054	379897	7.0075	380255	31.4556	380590	31.4365
379397	4.0621	379755	4.02054	379899	0.0334	380261	31.190	380591	31.4365
379398	4.0621	379756	4.0201	379900	0.0334	380262	31.190	380592	31.4390
379407	30.407	379757	10.1025	379901	0.0334	380268	30.0076	380593	31.4390
379408	30.407	379756	4.02071	379902	0.0334	380269	31.395	380594	31.4615
379410	13.000	379758	4.02071	379905	4.14013	380270	10.035	380595	31.4615
379411	13.000	379759	4.02095	379906	4.1400	380280	30.007	380596	31.4615
379412	13.023	379767	13.024	379908	1.105	380284	31.4615	380597	31.4615
379431	4.1300	379768	13.024	379910	7.00795	380287	30.0115	380598	31.4556
379432	4.1300	379769	9.101	379912	7.00795	380307	30.3307	380599	30.927
379433	4.13025	379784	4.02095	379913	7.00795	380307	30.454	380600	30.3015
379446	9.302	379785	4.02095	379914	7.00795	380310	31.4615	380601	30.3015
379464	7.2075	379786	4.02095	379915	7.00795	380312	31.394	380604	31.397
379466	3.1695	379787	4.16085	379916	7.00795	380313	31.394	380605	31.397
379467	1.108	379789	13.024	379917	7.00795	380314	31.394	380608	31.2745
379474	15.404	379790	13.024	379918	7.00795	380320	31.245	380609	31.2745
379478	4.0542	379792	10.054	379919	7.00795	380321	31.246	380612	30.0275
379492	7.00795	379793	10.0575	379920	7.00795	380322	31.243	380614	30.61115
379493	7.00795	379794	10.0546	379921	7.00795	380323	31.244	380615	30.927
379500	18.0135	379795	10.0575	379925	4.1022	380339	31.4556	380616	31.394
379549	4.13051	379796	10.0575	379932	11.300	380340	31.4556	380620	30.395
379550	4.0542	379797	4.0202	379936	4.1022	380341	31.1675	380621	30.395
379557	4.21075	379798	4.0202	379944	30.634	380414	31.240	380626	31.366
379564	7.000	379799	10.110	379945	30.6497	380415	31.240	380628	31.2405
379565	7.000	379800	10.110	379946	30.6497	380419	10.028	380630	30.408
379572	4.1100	379801	4.0202	379947	4.1303	380421	10.028	380631	30.408
379573	4.1100	379802	4.02051	379948	4.1311	380425	30.3570	380639	30.622
379574	4.1100	379806	10.105	379949	4.1300	380429	30.553	380640	30.3617
379575	4.1100	379807	10.105	379950	4.1300	380430	30.4163	380640	30.4818
379587	19.002	379808	10.105	379951	4.1300	380432	31.4615	380640	31.4558
379592	19.002	379809	10.105	379952	4.1300	380433	31.4615	380641	30.3617
379596	4.21092	379812	1.410	379977	15.303	380434	31.4615	380641	31.4558
379597	4.21092	379822	12.0313	379978	15.303	380435	30.0115	380641	30.4818
379598	4.21092	379823	12.0313	379979	15.303	380437	30.0115	380642	30.3615
379599	4.21092	379824	12.0313	380010	30.601	380448	31.4556	380643	30.3615
379600	4.21092	379825	12.0313	380011	30.600	380452	31.253	380644	30.4815
379601	4.21092	379826	12.0313	380012	30.628	380453	31.253	380645	30.4815
379602	4.21092	379827	12.0313	380015	30.601	380461	30.61115	380646	31.4557
379603	4.21092	379832	4.0005	380016	30.600	380462	30.61115	380652	31.4390
379604	4.21092	379844	10.012	380018	30.601	380468	30.431	380653	31.4390
379608	13.000	379845	10.0645	380019	30.600	380469	30.431	380654	31.4365
379610	1.105	379846	10.0645	380020	30.628	380473	31.247	380655	31.4365
379613	4.01015	379847	10.0352	380030	30.007	380482	31.245	380660	30.450
379614	4.0101	379848	10.0352	380031	30.007	380483	31.246	380661	30.450
379621	14.100	379849	10.065	380032	30.007	380484	31.243	380664	30.326
379622	4.0101	379850	10.065	380050	30.5505	380485	31.244	380665	30.327
379623	4.0603	379852	10.0106	380051	30.5505	380486	30.415	380670	31.4365
379624	4.0614	379854	4.01041	380052	30.5505	380486	30.553	380671	31.4365
379626	13.001	379855	4.0566	380053	30.5505	380496	30.434	380672	31.4556
379633	13.023	379856	10.0483	380054	7.000	380497	30.434	380673	31.4556
379634	13.024	379857	10.0483	380055	7.000	380497	30.562	380674	31.4556
379635	1.023	379858	4.1337	380066	31.365	380498	30.562	380675	31.4556
379636	1.023	379859	10.0483	380067	31.365	380544	31.395	380676	31.4556
379642	1.105	379860	4.06208	380068	30.61115	380552	31.4556	380677	31.4556
379643	1.105	379861	4.1513	380101	30.9270	380558	30.601	380678	31.4390
379644	1.105	379863	10.087	380102	30.510	380559	30.600	380679	31.4390

NUMERICAL INDEX (Cont'd)

PART NO.	INDEX NO.	PART NO.	INDEX NO.	PART NO.	INDEX NO.	PART NO.	INDEX NO.	PART NO.	INDEX NO.
380681	30.7015	382408	9.109	901222	12.001	950410	31.037	951240	31.444
380686	31.2406	382421	4.21092	925071	31.2471	950434	31.460	951241	31.445
380690	30.508	382422	4.21092	925072	31.2471	950435	31.460	951270	31.452
380691	30.508	382423	4.21092	925240	30.495	950436	31.460	951271	31.452
380694	30.301	382425	4.1205	925251	31.157	950437	31.460	951278	31.452
380695	30.301	382446	15.00744	925252	31.253	950518	31.4155	951279	31.452
380774	31.4523	382469	5.14026	925268	31.242	950520	31.415	951282	31.452
380775	31.4623	382470	14.109	925270	31.242	950521	31.415	951283	31.452
380811	30.940	382495	11.0122	925274	31.242	950522	31.415	951284	31.452
380824	31.4609	382497	15.208	925294	7.100	950523	31.415	951285	31.458
380830	30.900	382505	4.0706	925299	7.100	950678	31.459	951291	31.458
380831	31.4957	382511	15.408	925300	31.251	950679	31.459	951292	31.458
380839	31.492	382594	9.101	925301	31.251	950866	31.425	951293	31.458
380840	31.4957	382647	4.1105	925306	31.251	950867	31.425	951294	31.458
380849	31.4609	382648	4.1105	925307	31.251	950922	31.410	951343	31.462
380852	30.908	382652	3.251	925310	31.251	950923	31.410	951344	31.462
380853	30.946	382879	5.14025	925311	31.251	950926	31.410	951345	31.462
380854	30.940	382880	5.14025	925318	31.251	950927	31.410	951346	31.462
380855	30.940	382881	5.14025	925319	31.251	951028	31.446	951348	31.462
380856	30.900	382886	5.14025	925320	31.251	951029	31.446	951349	31.462
380857	30.941	382887	5.14025	925321	31.251	951031	31.4185	951388	31.4609
380863	31.492	382888	5.14025	925324	31.251	951032	31.4185	951389	31.4609
380865	31.4523	382890	5.14025	925325	31.251	951034	31.425	951393	31.4609
380866	31.4623	382891	5.14025	925369	30.375	951035	31.425	951424	31.417
380867	31.492	384256	30.479	925370	30.375	951036	31.410	951428	31.412
380876	31.4523	900018	5.0400	925377	30.495	951037	31.410	951429	31.412
380877	30.908	900023	12.005	925378	30.495	951088	31.412	951430	31.412
380880	31.4523	900024	12.005	925381	30.495	951089	31.412	951439	31.417
380881	31.4623	900053	12.001	925382	30.495	951090	31.412	951448	31.418
381004	30.5525	900054	12.001	925383	30.495	951091	31.4125	951462	31.413
381005	30.5525	900055	12.001	925384	30.495	951092	31.4125	951463	31.413
381009	31.366	900064	12.005	925389	31.157	951093	31.4125	951500	31.410
381010	30.550	900065	12.005	925390	31.247	951094	31.412	951501	31.410
381011	30.550	900066	12.005	925391	31.247	951095	31.412	951540	31.412
381012	30.398	900068	12.005	925401	31.157	951096	31.4125	951541	31.412
381013	30.398	900069	12.005	925413	30.375	951097	31.4125	951548	31.417
381014	30.401	900131	12.005	925414	30.375	951098	31.412	951550	31.417
381015	30.401	900422	11.014	925416	31.157	951099	31.412	951682	31.4435
381051	30.0076	900423	11.014	925417	30.495	951100	31.413	951752	31.443
381053	30.0076	900424	11.014	925418	30.495	951101	31.413	951873	31.458
381060	30.806	900440	7.100	925419	30.495	951102	31.413	951875	31.4125
381061	30.807	901005	3.200	925433	31.242	951103	31.413	951877	31.446
381062	30.808	901007	3.200	925436	31.253	951124	31.417	951878	31.4125
381062	30.809	901008	3.200	925437	31.253	951136	31.421	951880	31.414
381069	30.927	901009	3.200	926003	7.100	951137	31.427	951881	31.414
381081	31.4556	901010	3.200	926004	7.100	951138	31.427	951882	31.435
381263	31.4556	901011	3.200	926011	31.157	951140	31.427	951883	31.436
381356	30.407	901012	3.200	926014	31.243	951141	31.427	951887	31.452
381357	30.407	901014	3.200	926015	31.244	951142	31.414	951889	31.458
381358	30.551	901026	3.200	926022	31.253	951143	31.414	951899	31.462
381359	30.551	901039	3.200	926038	7.100	951144	31.414	951903	31.4609
382101	2.000	901042	12.005	926039	7.100	951145	31.414	951906	31.417
382102	2.0005	901043	12.001	926044	30.375	951146	31.414	951907	31.417
382103	2.0050	901044	12.001	926045	30.375	951174	31.435	951908	31.419
382104	2.0050	901045	12.001	926052	7.100	951175	31.436	951909	31.421
382108	2.001	901046	12.001	926053	7.100	951176	31.435	951910	31.418
382109	2.001	901047	12.001	926058	31.253	951177	31.436	951911	31.418
382187	2.000	901048	12.001	926068	31.242	951190	31.435	951912	31.419
382187	2.0005	901049	12.001	926072	31.251	951191	31.436	951913	31.458
382302	19.002	901050	12.001	926073	31.251	951192	31.435	951916	31.418
382310	0.0345	901051	12.001	926087	31.157	951193	31.436	951919	31.418
382311	0.030	901052	12.001	950000	31.460	951194	31.413	951920	31.4125
382312	0.030	901090	12.001	950001	31.460	951195	31.413	951921	31.4125
382313	0.0276	901091	12.001	950002	31.460	951206	31.438	951924	31.435
382314	0.0276	901092	12.001	950003	31.460	951207	31.439	951925	31.436
382341	3.1169	901094	12.001	950100	31.4155	951208	31.438	951926	31.435
382349	3.311	901096	12.001	950101	31.4155	951209	31.439	951927	31.436
382371	15.3002	901098	12.001	950102	31.4155	951212	31.438	951930	31.452
382375	10.038	901143	3.400	950106	31.459	951213	31.439	951931	31.452
382376	10.038	901147	3.400	950107	31.459	951214	31.438	951933	31.462
382380	15.3075	901148	3.400	950164	31.413	951215	31.439	951934	31.462
382395	6.106	901149	3.400	950165	31.413	951220	31.438	951935	31.452
382399	5.0900	901150	3.400	950216	31.446	951221	31.439	951936	31.462
382405	5.0900	901151	3.400	950217	31.446	951222	31.438	951946	31.418
382406	9.109	901152	3.400	950218	31.446	951223	31.439	951947	31.418
382407	9.109	901153	3.400	950219	31.446	951234	31.441	951948	31.419

NUMERICAL INDEX (Cont'd)

PART NO.	INDEX NO.	PART NO.	INDEX NO.	PART NO.	INDEX NO.	PART NO.	INDEX NO.	PART NO.	INDEX NO.
951949	31.419	952074	31.4593	975113	31.436	980985	31.461	981692	31.461
951950	31.435	952075	31.4593	975116	31.435	980986	31.461	981693	31.461
951951	31.436	952104	31.418	975117	31.436	980987	31.461	981694	31.461
951952	31.435	952105	31.418	975118	31.438	980988	31.461	981695	31.461
951953	31.436	952106	31.418	975119	31.439	980989	31.461	981696	31.4114
951954	31.438	952129	31.452	975120	31.435	980997	31.463	981700	31.4113
951955	31.439	952130	31.462	975121	31.436	980998	31.463	981701	31.463
951956	31.446	952131	31.462	975123	31.439	981002	31.463	981702	31.463
951957	31.446	952140	31.412	975124	31.462	981003	31.463	981703	31.463
951959	31.452	952141	31.412	975125	31.462	981004	31.463	981704	31.463
951960	31.452	952142	31.4125	975126	31.435	981005	31.463	981737	31.453
951963	31.462	952143	31.4125	975127	31.436	981012	31.4114	981746	31.4555
951965	31.418	952144	31.412	975128	31.438	981013	31.4114	981747	31.4555
951966	31.417	952145	31.412	975129	31.439	981538	31.4555	981748	31.455
951968	31.417	952163	31.420	975131	31.462	981539	31.4555	981749	31.455
951969	31.417	952164	31.425	975132	31.435	981568	31.451	981750	31.455
951974	31.418	952165	31.425	975133	31.436	981569	31.449	981751	31.455
951975	31.418	952168	31.4593	975134	31.438	981570	31.455	981786	31.4555
951976	31.421	952169	31.4593	975135	31.439	981571	31.453	981787	31.4555
951977	31.419	975002	31.414	975136	31.462	981582	31.461	995000	31.458
951978	31.419	975003	31.414	980062	31.451	981583	31.463	995006	31.411
951979	31.417	975008	31.438	980063	31.451	981596	31.4555	995007	31.411
951980	31.413	975009	31.439	980080	31.449	981597	31.4555	995011	31.453
951981	31.413	975010	31.435	980081	31.449	981600	31.455	995014	31.455
951982	31.413	975011	31.436	980082	31.449	981601	31.455	995017	31.4555
951983	31.413	975012	31.435	980083	31.449	981604	31.453	995019	31.463
951984	31.417	975013	31.436	980214	31.460	981605	31.461	995023	31.4555
951985	31.418	975014	31.412	980215	31.460	981610	31.463	995024	31.461
951986	31.418	975015	31.412	980359	31.451	981617	31.451	995026	31.455
951987	31.4609	975018	31.462	980361	31.446	981623	31.461	995027	31.453
951988	31.4593	975032	31.452	980587	31.457	981624	31.463	995034	31.4113
951988	31.460	975034	31.435	980739	31.451	981625	31.453	995035	31.4114
951989	31.4593	975035	31.436	980746	31.411	981626	31.455	995036	31.41135
951989	31.460	975036	31.438	980747	31.411	981627	31.455	995037	31.463
951990	31.435	975037	31.439	980750	31.411	981628	31.455	995040	31.411
951991	31.436	975038	31.414	980751	31.411	981629	31.455	995041	31.411
951992	31.435	975039	31.414	980772	31.449	981630	31.455	995042	31.411
951993	31.436	975040	31.412	980773	31.449	981631	31.455	995043	31.411
951994	31.435	975041	31.412	980786	31.411	981638	31.4555	995048	31.461
951995	31.436	975042	31.435	980787	31.411	981639	31.4555	995049	31.461
951996	31.435	975043	31.436	980887	31.4555	981640	31.4555	995050	31.410
951997	31.436	975044	31.438	980896	31.4555	981641	31.4555	995051	31.410
951998	31.435	975045	31.439	980903	31.455	981642	31.4555	995052	31.410
951999	31.436	975048	31.462	980907	31.455	981643	31.4555	995053	31.410
952008	31.452	975080	31.435	980915	31.455	981647	31.453	995054	31.410
952009	31.452	975081	31.436	980916	31.455	981652	31.453	995055	31.410
952010	31.452	975082	31.438	980917	31.455	981653	31.453	995057	31.458
952011	31.452	975083	31.439	980918	31.455	981654	31.411	995062	31.411
952012	31.452	975088	31.462	980919	31.455	981655	31.411	995063	31.411
952013	31.458	975092	31.435	980945	31.453	981656	31.411	995064	31.410
952015	31.458	975093	31.436	980947	31.453	981657	31.411	995065	31.410
952022	31.462	975094	31.438	980953	31.453	981660	31.411	995068	31.453
952023	31.462	975095	31.439	980954	31.453	981661	31.411	995069	31.455
952024	31.462	975099	31.452	980955	31.453	981662	31.411	995073	31.4555
952026	31.462	975102	31.452	980956	31.453	981663	31.411	995075	31.463
952045	31.427	975103	31.462	980957	31.453	981664	31.410	995077	31.4114
952050	31.427	975104	31.452	980978	31.461	981665	31.410	995078	31.4113
952051	31.427	975106	31.452	980979	31.461	981666	31.410	995080	31.461
952054	31.427	975108	31.438	980980	31.461	981667	31.410	995081	31.461
952056	31.438	975109	31.439	980981	31.461	981670	31.410	995181	31.4555
952057	31.439	975110	31.435	980982	31.461	981672	31.410		
952060	31.4125	975111	31.436	980983	31.461	981673	31.410		
952061	31.4125	975112	31.435	980984	31.461	981692	31.4114		

